



## **ELECTRICAL CONTACTS**

---

### ***ALLEN-BRADLEY***

- SERIES A (OLD STYLE)
- 500--LINE
- SERIES K
- IEC 100--LINE

### ***AROMAT***

### ***ARROW HART***

### ***ASEA BROWN BOVERI***

- GENERAL PURPOSE--TYPE EG
- DRIVE CONTACTORS--TYPE EFLG
- TYPE--EH
- EHDB DRIVE CONTACTORS
- TYPE--B CONTACTORS
- TYPE--A/AF/AE/TAE

### ***CLARK***

- TYPE--CY
- TYPE--TM
- 100 AMP TO 900 AMP DC CONTACTORS BULLETIN 7400, TYPE RS & RD
- KKD AUXILIARY CONTACTS
- BULLETIN 7400, TYPE KD & KS DC CONTACTORS
- 5000/5000DP SERIES

### ***CUTLER-HAMMER***

- CITATION LINE, SERIES A1
- SERIES B1
- FREEDOM SERIES
- OLD STYLES
- DC CONTACTORS
- MISCELLANEOUS

### ***FUJI***

### ***FURNAS***

- OLD STYLE
- VERTICAL LIFT CONTACTORS
- INNOVA 45 SERIES
- INNOVA PLUS SERIES

### ***GENERAL ELECTRIC***

- 100, 200, 300--LINE
- CR7006 SERIES
- MEDIUM VOLTAGE 5KV SERIES
- DS303 DC CONTACTORS
- C2000 SERIES
- IC2800 CONTACTORS
- CR2800 CONTACTORS
- CR2810 CONTACTORS
- NAVY CONTROL IC5181

### ***HUBBELL***

### ***KLOCKNER-MOELLER***

### ***MITSUBISHI***

### ***P & H***

### ***SPRECHER & SCHUH***

- CA1 CONTACTORS
- CA3--CA6 CONTACTORS
- CA7 CONTACTORS

### ***SIEMENS***

- VALUE--LINE
- 3TA SERIES
- WORLD SERIES FOR 3TB SERIES
- 3TF SERIES
- 3RT SIRIUS SERIES
- SPECIAL PURPOSE DC CONTACTORS

### ***SQUARE D***

- CURRENT STYLE
- DEFENITE PURPOSE CONTACTORS
- OLD STYLE
- CLASS 7004, TYPE H
- MISCELLANEOUS SINGLE CONTACTS
- TYPE M LINE, CLASS 8503 & 7004 CONTACTORS

# **ELECTRICAL CONTACTS**

*CONTINUED*

## ***STROMBERG***

## ***TELEMECANIQUE***

- OLD STYLE
- CN1 SERIES
- CN2 SERIES
- LC1 SERIES
- PN1 SERIES
- PA2 SERIES

## ***WESTINGHOUSE***

- A200 SERIES
- SIZE 6
- TYPE GPD
- TYPE NF
- TYPE N—LIFELINE SERIES
- DPCK SERIES
- MD SERIES
- MD & MME SERIES
- ADVANTAGE SERIES
- MISCELLANEOUS

# **CONTROL COILS**

## ***ASEA BROWN BOVERI***

## ***CLARK***

## ***CUTLER--HAMMER***

## ***GEMCO / MAGNETEK***

## ***GENERAL ELECTRIC***

## ***SIEMENS***

## ***SQUARE D / EC&M***

## ***WESTINGHOUSE***

# **CRANE & MILL CONTROL**

## ***CLARK***

### **106 TYPE B DC MAGNETIC BRAKES**

- CLARK 8" DC MAGNETIC BRAKE
- CLARK 10" DC MAGNETIC BRAKE
- CLARK 13" DC MAGNETIC BRAKE
- CLARK 16" DC MAGNETIC BRAKE
- CLARK 19" DC MAGNETIC BRAKE
- CLARK 23" DC MAGNETIC BRAKE

### **CONTACTORS**

- DC MAGNETIC CONTACTOR FORM 100--4RD
- DC MAGNETIC CONTACTOR FORM 150--4RD
- DC MAGNETIC CONTACTOR FORM 300--4RD
- DC MAGNETIC CONTACTOR FORM 400--4RD
- DC MAGNETIC CONTACTOR FORM 600--4RD
- DC MAGNETIC CONTACTOR FORM 900--4RD
- DC MAGNETIC CONTACTOR FORM 100--4RT
- DC MAGNETIC CONTACTOR FORM 150--4RT
- DC MAGNETIC CONTACTOR FORM 300--4RT
- DC MAGNETIC CONTACTOR FORM 400--4RT
- DC MAGNETIC CONTACTOR FORM 100--5RS
- DC MAGNETIC CONTACTOR FORM 150--5RS
- DC MAGNETIC CONTACTOR FORM 300--5RS



- DC MAGNETIC CONTACTOR FORM 400--5RS
- DC MAGNETIC CONTACTOR FORM 600--5RS
- DC MAGNETIC CONTACTOR FORM 100--3L3A
- DC MAGNETIC CONTACTOR FORM 150--3R3A
- DC MAGNETIC CONTACTOR FORM 400--3R3A
- DC MAGNETIC CONTACTOR TYPE KD 100 AMP
- DC MAGNETIC CONTACTOR TYPE KD 150 AMP
- DC MAGNETIC CONTACTOR TYPE KD 300 AMP

## RELAYS & MASTER SWITCHES

- MASTER SWITCH--TYPE RD, RDS
- HATCHWAY LIMIT SWITCH, TYPE HL
- TYPE AP ANTI--PLUG RELAY
- TYPE CH RELAY
- TYPE FL FIELD LOSS RELAY
- TYPE P PLUGGING RELAY
- TYPE VT VARI--TIME RELAY
- TYPE VR VOLTAGE RELAY
- TYPE VTH VARI--TIME RELAY
- TYPE XVR RELAY

## INDEX

## CUTLER--HAMMER

### SAFETY LIMIT STOPS

- P--50 SAFETY LIMIT STOP
- P--100 SAFETY LIMIT SWITCH
- P--100A SAFETY LIMIT STOP
- P--200 SAFETY LIMIT STOP
- P--200A SAFETY LIMIT STOP
- P--375 SIMPLEX SAFETY
- P--375 DUPLEX SAFETY LIMIT STOP

### BRAKES

- No. 503 8" TYPE "M" BRAKE
- No. 503 10" TYPE "M" BRAKE
- No. 503 14" TYPE "M" BRAKE
- No. 503 18" TYPE "M" BRAKE
- No. 503 21" TYPE "M" BRAKE
- No. 503 24" TYPE "M" BRAKE
- No. 503 30" TYPE "M" BRAKE
- No. 505 8" D--C MAGNETIC BRAKE
- No. 505 10" D--C MAGNETIC BRAKE
- No. 505 13" D--C MAGNETIC BRAKE
- No. 505 16" D--C MAGNETIC BRAKE
- No. 505 19" D--C MAGNETIC BRAKE
- No. 505 23" D--C MAGNETIC BRAKE
- No. 505 30" D--C MAGNETIC BRAKE

### CONTACTORS

- No. 369 DC CONTACTOR
- No. 540 100 Amp D--C CONTACTOR
- No. 542 300 AMP D--C CONTACTOR
- No. 545 600 AMP D--C CONTACTOR
- No. 560 100 AMP SPRING CLOSED D--C CONTACTOR
- No. 562 300 AMP SPRING CLOSED D--C CONTACTOR

- No. 565 600 AMP SPRING CLOSED D--C CONTACTOR
- No. 570 100 AMP D--C CONTACTOR
- No. 572 300 AMP D--C CONTACTOR
- No. 575 600 AMP D--C CONTACTOR
- No. 580 100 AMP DOUBLE POLE D--C CONTACTOR
- No. 582 300 AMP DOUBLE POLE D--C CONTACTOR
- No. 590 100 AMP DOUBLE POLE D--C CONTACTOR
- No. 912 50 AMP SINGLE POLE D--C CONTACTOR
- No. 913 100 AMP SINGLE POLE D--C CONTACTOR
- No. 914 150 AMP SINGLE POLE D--C CONTACTOR
- No. 915 300 AMP SINGLE POLE D--C CONTACTOR
- No. 916 600 AMP SINGLE POLE D--C CONTACTOR
- No. 920 810 AMP SINGLE POLE D--C CONTACTOR
- No. 921 810 AMP D--C Ltl CONTACTOR
- No. 923 100 AMP SPRING CLOSED D--C CONTACTOR
- No. 924 150 AMP SPRING CLOSED D--C CONTACTOR
- No. 925 300 AMP SPRING CLOSED D--C CONTACTOR
- No. 926 600 AMP SPRING CLOSED D--C CONTACTOR
- No. 932 50 AMP SINGLE POLE D--C Ltl CONTACTOR
- No. 933 100 AMP D--C Ltl CONTACTOR
- No. 934 150 AMP SINGLE POLE D--C Ltl CONTACTOR
- No. 935 300 AMP D--C Ltl CONTACTOR

- No. 936 600 AMP SINGLE POLE D--C Ltl CONTACTOR
- No. 944 150 AMP TWO--POLE D--C Ltl CONTACTOR
- No. 945 300 AMP TWO--POLE D--C Ltl CONTACTOR
- No. 952 50 AMP DOUBLE POLE D--C Ltl CONTACTOR
- No. 954 150 AMP DOUBLE POLE D--C Ltl CONTACTOR
- No. 955 300 AMP TWO--POLE D--C Ltl CONTACTOR

## INDEX

### GENERAL ELECTRIC

#### BRAKES

- FORM C103AA DC MAGNETIC BRAKE
- IC9528 A100 8" BRAKE
- IC9528 A101 10" BRAKE
- IC9528 A102 13" BRAKE
- IC9528 A103 16" BRAKE
- IC9528 A104 19" BRAKE
- IC9528 A105 23" BRAKE

## INDEX

### SQUARE D

#### BRAKES

- EC&M No. 5 TYPE WB BRAKE, FOLIO 2
- EC&M No. 10 TYPE WB BRAKE, FOLIO 2
- EC&M No. 20 TYPE WB BRAKE, FOLIO 2
- EC&M No. 22 TYPE WB BRAKE, FOLIO 1
- EC&M No. 30 TYPE WB BRAKE, FOLIO 2
- EC&M No. 30 TYPE WB BRAKE, FOLIO 3
- EC&M No. 40 TYPE WB BRAKE, FOLIO 2
- EC&M No. 40 TYPE WB BRAKE, FOLIO 3
- EC&M No. 50 TYPE WB BRAKE, FOLIO 2
- EC&M No. 50 TYPE WB BRAKE, FOLIO 3
- EC&M No. 60 TYPE WB BRAKE, FOLIO 1
- CLASS 5010 8" TYPE WB BRAKE, FOLIO 5
- CLASS 5010 10" TYPE WB BRAKE, FOLIO 5
- CLASS 5010 13" TYPE WB BRAKE, FOLIO 5
- CLASS 5010 16" TYPE WB BRAKE, FOLIO 5
- CLASS 5010 19" TYPE WB BRAKE, FOLIO 5
- CLASS 5010 23" TYPE WB BRAKE, FOLIO 5
- CLASS 5010 30" TYPE WB BRAKE, FOLIO 6
- CLASS 5010 8" TYPE F SERIES A
- CLASS 5010 10" TYPE F SERIES A
- CLASS 5010 13" TYPE F SERIES A
- CLASS 5010 16" TYPE F SERIES A
- CLASS 5010 19" TYPE F SERIES A
- CLASS 5010 23" TYPE F SERIES A
- CLASS 5010 30" TYPE F SERIES A
- CLASS 5010 10" TYPE F SERIES B

- CLASS 5010 13" TYPE F SERIES B
- CLASS 5010 16" TYPE F SERIES B
- CLASS 5010 23" TYPE F SERIES B
- CLASS 5060 10" TYPE AT ADJUSTABLE TORQUE BRAKE
- CLASS 5060 13" TYPE AT ADJUSTABLE TORQUE BRAKE
- CLASS 5060 16" TYPE AT ADJUSTABLE TORQUE BRAKE

#### CONTACTORS

- No. 0 SINGLE POLE TYPE S CONTACTOR, FOLIO 7
- No. 1 SINGLE POLE TYPE L LINE--ARC CONTACTOR, FOLIO 3
- No. 1 SINGLE POLE SPRING CLOSED TYPE L LINE--ARC CONTACTOR, FOLIO 3
- No. 2 SINGLE POLE TYPE L LINE--ARC CONTACTOR, FOLIO 3
- No. 2 SINGLE POLE SPRING CLOSED TYPE L LINE--ARC CONTACTOR, FOLIO 3
- No. 2 DOUBLE POLE TYPE L LINE--ARC CONTACTOR, FOLIO 3
- No. 3 SINGLE POLE TYPE L LINE--ARC CONTACTOR, FOLIO 3
- No. 3 SINGLE POLE SPRING CLOSED TYPE L LINE--ARC CONTACTOR, FOLIO 3
- No. 3 DOUBLE POLE TYPE L LINE--ARC CONTACTOR, FOLIO 3
- No. 4&4A SINGLE POLE TYPE L LINE--ARC CONTACTOR, FOLIO 3
- No. 4&4A SINGLE POLE SPRING CLOSED TYPE L LINE--ARC CONTACTOR, FOLIO 3

# CRANE & MILL CONTROL

CONTINUED

## SAFETY LIMIT STOPS

- No. 10 YOUNGSTOWN LIMIT STOP
- No. 20 YOUNGSTOWN LIMIT SWITCH
- No. 30 YOUNGSTOWN LIMIT SWITCH
- No. 10 YOUNGSTOWN LIMIT SWITCH AC/DC TYPE BG SERIES A
- No. 20 AC/DC YOUNGSTOWN LIMIT SWITCH TYPE CG SERIES B
- No. 20 AC/DC YOUNGSTOWN LIMIT SWITCH TPYE CCG SERIES B
- No. 30 YOUNGSTOWN LIMIT SWITCH TYPE DG SERIES A
- No. 30 YOUNGSTOWN LIMIT SWITCH TYPE DDG SERIES A
- No. 40 YOUNGSTOWN LIMIT STOP SINGLE TYPE EG SERIES A
- No. 40 YOUNGSTOWN LIMIT STOP DUPLEX TYPE EEG SERIES A
- No. 50 DC YOUNGSTOWN LIMIT STOP SIMPLEX TYPE FG SERIES A
- No. 50 DC YOUNGSTOWN LIMIT STOP DUPLEX TYPE FFG SERIES A

## MISCELLANEOUS

- TYPE DM MASTER SWITCH, FOLIO 1-A
- EC&M TYPE NT MASTER CONTROLLER, FOLIO 1
- SI ACCELERATION RELAY, FOLIO 1A & 1B
- SIP PLUGGING RELAY, FOLIO 1A & 1B

## INDEX

## WESTINGHOUSE

### DI BRAKES

- TYPE DI 062--F MAGNETIC BRAKE
- TYPE DI 104--F MAGNETIC BRAKE

- TYPE DI 135--F MAGNETIC BRAKE
- TYPE DI 167--F MAGNETIC BRAKE
- TYPE DI 198--F MAGNETIC BRAKE
- TYPE DI 239--F MAGNETIC BRAKE

### TM BRAKES

- TYPE TM--83 MAGNETIC SHOE BRAKE
- TYPE TM--1035 MAGNETIC SHOE BRAKE
- TYPE TM--1355 MAGNETIC SHOE BRAKE
- TYPE TM--1665 MAGNETIC SHOE BRAKE
- TYPE TM--1985 MAGNETIC SHOE BRAKE
- TYPE TM--2311 MAGNETIC SHOE BRAKE
- TYPE TM--3014 MAGNETIC SHOE BRAKE

### CONTACTORS

- TYPE M FRAME 301 DC MAGNETIC CONTACTOR
- TYPE M FRAME 401 DC MAGNETIC CONTACTOR
- TYPE M FRAME 501 DC MAGNETIC CONTACTOR
- TYPE M FRAME 601 DC MAGNETIC CONTACTOR
- TYPE M FRAME 701 DC MAGNETIC CONTACTOR
- TYPE MD FRAME 301 DC MAGNETIC CONTACTOR
- TYPE MD FRAME 401 DC MAGNETIC CONTACTOR
- TYPE MD FRAME 501 DC MAGNETIC CONTACTOR
- TYPE MD FRAME 601 DC MAGNETIC CONTACTOR
- TYPE MD FRAME 701 DC MAGNETIC CONTACTOR

## INDEX

# POWER & GROUNDING CABLES

## BUS BAR SYSTEMS

## BRAIDED FLEXES

## BUS BARS

## WELDED LAMINATED JUMPERS

## WATER COOLED POWER CABLES

## ACCESS COVERS

## ACCESS COVERS

## MOTORS

## MOTORS



## About Us

The Ohio Contact Company was founded in 1996 and is based in Spencer, Ohio. Since that time we have become one of the leading suppliers in motor control. We owe our success to a **Honest Sales Approach, High Quality Standards, Experienced Inside and Outside Sales Staff, and In-House Production Capabilities.** Our customer base is located throughout the United States and we also “export” to Australia, Canada, Mexico, and South American Countries. In addition to our In-House Manufacturing, we keep prices low and products extensive by our relationships with other U.S. Manufacturers who have the knowledge and experience to manufacture our products to meet Ohio Contact high quality standards.

Our product lines include:

- Electrical Contacts
- Control Coils
- Crane & Mill Control
- Power & Grounding Cables
- Motor Access Covers
- Die Stampings
- AC/DC Drives
- Motors

**STOCK ITEMS ORDERED  
BY 3:30 EST  
SHIP SAME DAY!**

Please note that not all the items available are listed in this catalog. If you are unable to locate desired item, please contact us for availability. Also, if you have a product or service that we do not supply we will be glad to recommend someone that can.

Take advantage of our extensive database (which seems to increase on a daily basis). For example: If you have the contactor number but only need the contacts or coil, chances are we can cross the number over for you.

We also supply a rebuild service for most electrical contacts. Since our inception, we have been rebuilding contacts. Note however that the cost savings is seen mainly on size 5+ or obsolete contacts.

Items listed in this catalog are direct replacements based on o.e.m. specifications. We are not affiliated with the o.e.m. manufacturers listed.

**Thank you for giving us the opportunity to earn your business!**

Sincerely,

Your Ohio Contact Team

This document utilizes an interactive table of contents to help you jump from one section to another. Click the button to return to the table of contents.

**RETURN TO  
TABLE OF CONTENTS**

**This document utilizes an interactive table of contents to help you jump from one section to another. Click the button to return to the table of contents.**

---

**RETURN TO  
TABLE OF CONTENTS**

## ALLEN-BRADLEY TABLE OF CONTENTS

| OEM No.      | OCC No. | DESCRIPTION             | PAGE |
|--------------|---------|-------------------------|------|
| X-33977      | 704046T | STATIONARY, SIZE-0      | 3    |
| X-35162      | 704048T | STATIONARY, SIZE-0      | 3    |
| X-33519      | 704040T | STATIONARY, SIZE-1      | 3    |
| X-35163      | 704050T | STATIONARY, SIZE-1      | 3    |
| X-36702      | 704056T | STATIONARY, SIZE-2      | 3    |
| X-36703      | 704058T | STATIONARY, SIZE-3      | 3    |
| X-67451      | 704060T | STATIONARY, SIZE-4      | 3    |
| X-33553      | 704044T | MOVABLE, SIZE-0         | 3    |
| X-33552      | 704042T | MOVABLE, SIZE-1         | 3    |
| X-36670      | 704052T | MOVABLE, SIZE-2         | 3    |
| X-36671      | 704054T | MOVABLE, SIZE-3         | 3    |
| X-119624     | 704006T | MOVABLE, SIZE-4         | 3    |
| X-98909      | 704062T | STATIONARY, SIZE-5      | N/P  |
| X-104555     | 704004T | MOVABLE, SIZE-5         | N/P  |
| Z21103       | 704063T | 1 POLE, SIZE-00         | 4    |
| 40410-331-51 | 704078T | 1 POLE, SIZE-0          | 4    |
| 40410-331-52 | 704080T | 1 POLE, SIZE-1          | 4    |
| 40420-322-51 | 704085T | 1 POLE, SIZE-2          | 4    |
| 40430-300-51 | 704090T | 1 POLE, SIZE-3          | 4    |
| 40440-300-51 | 704096T | 1 POLE, SIZE-4          | 4    |
| 42450-805-01 | 704118T | 1 POLE, SIZE-5          | 4    |
| 40783-802-02 | 704140T | 4 POLE, SIZE-6          | N/P  |
| Z34037       | 704064T | 1 POLE, SIZE-0          | 5    |
| Z34038       | 704066T | 1 POLE, SIZE-1          | 5    |
| Z34039       | 704068T | 1 POLE, SIZE-2          | 5    |
| Z34040       | 704070T | 1 POLE, SIZE-3          | 5    |
| Z34041       | 704072T | 1 POLE, SIZE-4          | 5    |
| Z34042       | 704074T | 1 POLE, SIZE-5          | 6    |
| Z34043       | 704076T | 1 POLE, SIZE-5          | 6    |
| 40768-801-01 | 704102T | 3 POLE, DEVICE 100-A38  | 7    |
| 40768-802-01 | 704104T | 3 POLE, DEVICE 100-A45  | 7    |
| 40769-800-01 | 704106T | 3 POLE, DEVICE 100-A60  | 7    |
| 40769-801-01 | 704108T | 3 POLE, DEVICE 100-A75  | 7    |
| 40780-800-01 | 704110T | 3 POLE, DEVICE 100-B110 | 7    |
| 40781-800-01 | 704112T | 3 POLE, DEVICE 100-B180 | 7    |
| 40782-800-01 | 704114T | 3 POLE, DEVICE 100-B250 | 8    |
| 40782-801-01 | 704116T | 3 POLE, DEVICE 100-B300 | 8    |
| 40783-801-01 | 704128T | 3 POLE, DEVICE 100-B400 | N/P  |
| 40783-802-01 | 704130T | 3 POLE, DEVICE 100-B600 | N/P  |

**N/P- NOT PICTURED**

P. 800-310-5999 F. 330-648-2774  
 sales@ohiocontact.com www.ohiocontact.com

This document utilizes an interactive table of contents to help you jump from one section to another. Click the button to return to the table of contents.

**RETURN TO  
TABLE OF CONTENTS**

- SERIES A (OLD STYLE)
- 500--LINE
- SERIES K
- IEC 100--LINE





## ALLEN-BRADLEY SERIES A (OLD STYLE)



OEM No. X-33977  
OCC No. 704046T  
STATIONARY  
SIZE: 0



OEM No. X-35162  
OCC No. 704048T  
STATIONARY  
SIZE: 0



OEM No. X-33519  
OCC No. 704040T  
STATIONARY  
SIZE: 1



OEM No. X-35163  
OCC No. 704050T  
STATIONARY  
SIZE: 1



OEM No. X-36702  
OCC No. 704056T  
STATIONARY  
SIZE: 2



OEM No. X-36703  
OCC No. 704058T  
STATIONARY  
SIZE: 3



OEM No. X-67541  
OCC No. 704060T  
STATIONARY  
SIZE: 4



OEM No. X-33553  
OCC No. 704044T  
MOVABLE  
SIZE: 0



OEM No. X-33552  
OCC No. 704042T  
MOVABLE  
SIZE: 1



OEM No. X-36670  
OCC No. 704052T  
MOVABLE  
SIZE: 2



OEM No. X-36671  
OCC No. 704054T  
MOVABLE  
SIZE: 3



OEM No. X-119624  
OCC No. 704006T  
MOVABLE  
SIZE: 4

P. 800-310-5999 F. 330-648-2774  
sales@ohiocontact.com www.ohiocontact.com

This document utilizes an interactive table of contents to help you jump from one section to another. Click the button to return to the table of contents.

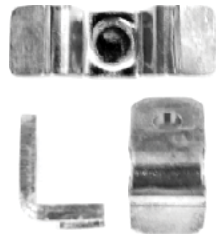
**RETURN TO  
TABLE OF CONTENTS**

- SERIES A (OLD STYLE)
- 500--LINE
- SERIES K
- IEC 100--LINE

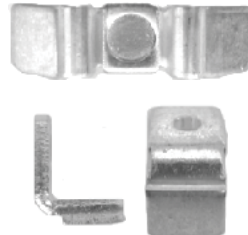
## ALLEN-BRADLEY 500-LINE



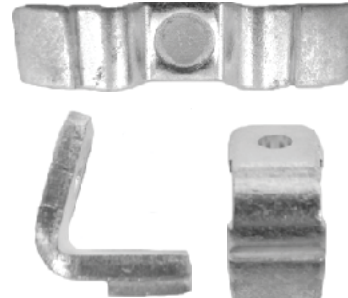
OEM No. Z21103  
OCC No. 704063T  
No. OF POLES: 4  
SIZE: 00



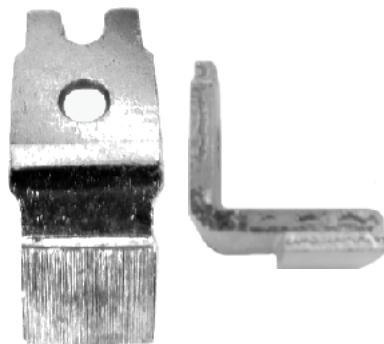
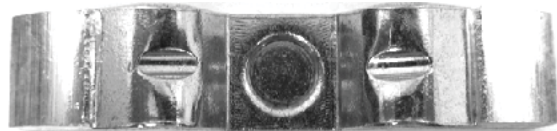
OEM No. 40410-331-51  
OCC No. 704078T  
No. OF POLES: 1  
SIZE: 0



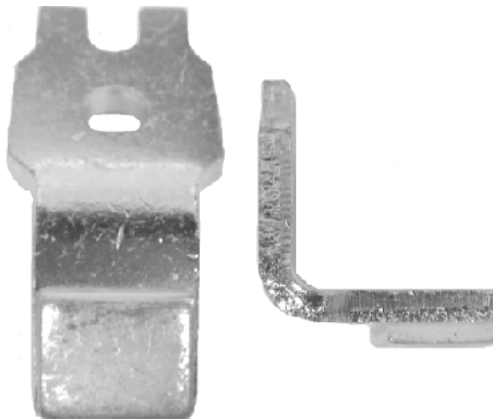
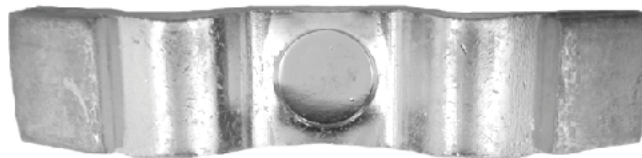
OEM No. 40410-331-52  
OCC No. 704080T  
No. OF POLES: 1  
SIZE: 1



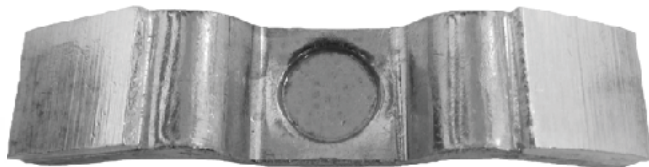
OEM No. 40420-322-51  
OCC No. 704085T  
No. OF POLES: 1  
SIZE: 2



OEM No. 40430-300-51  
OCC No. 704090T  
No. OF POLES: 1  
SIZE: 3



OEM No. 40440-300-51  
OCC No. 704096T  
No. OF POLES: 1  
SIZE: 4



OEM No. 42450-805-01  
OCC No. 704118T  
No. OF POLES: 1  
SIZE: 5, SERIES L

This document utilizes an interactive table of contents to help you jump from one section to another. Click the button to return to the table of contents.

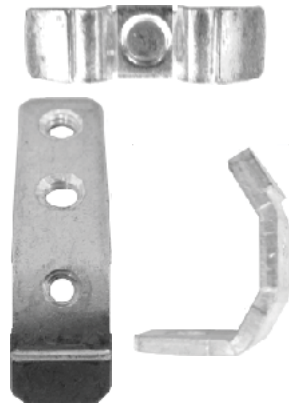
**RETURN TO  
TABLE OF CONTENTS**

- SERIES A (OLD STYLE)
- 500--LINE
- SERIES K
- IEC 100--LINE

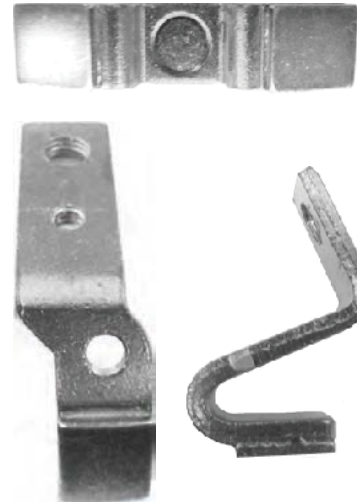
## ALLEN-BRADLEY SERIES K



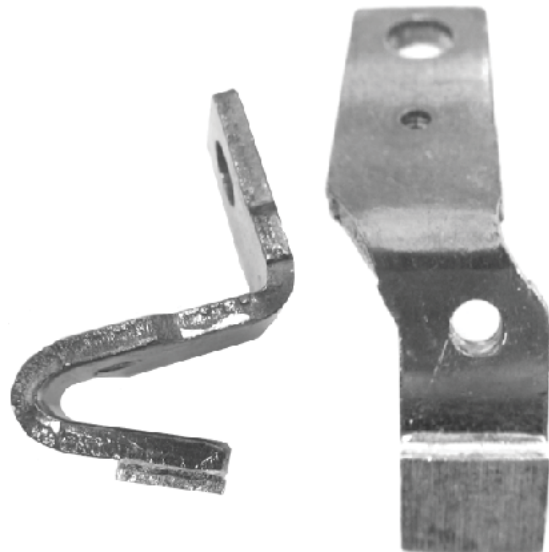
OEM No. Z34037  
OCC No. 704064T  
No. OF POLES: 1  
SIZE: 0



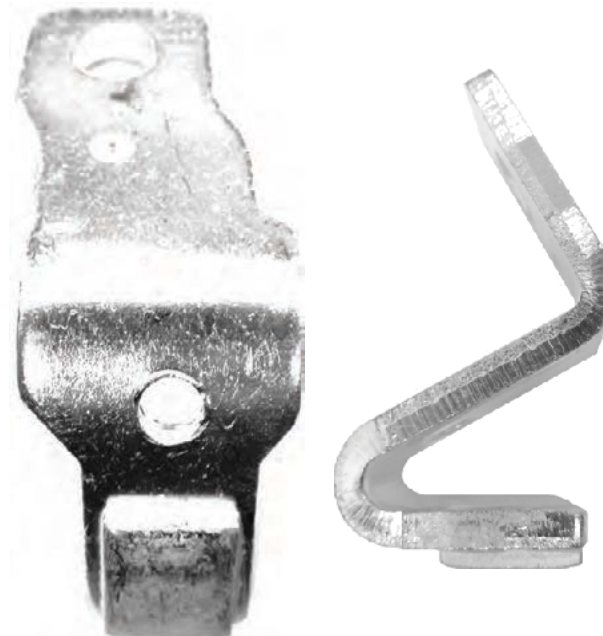
OEM No. Z34038  
OCC No. 704066T  
No. OF POLES: 1  
SIZE: 1



OEM No. Z34039  
OCC No. 704068T  
No. OF POLES: 1  
SIZE: 2



OEM No. Z34040  
OCC No. 704070T  
No. OF POLES: 1  
SIZE: 3



OEM No. Z34041  
OCC No. 704072T  
No. OF POLES: 1  
SIZE: 4

This document utilizes an interactive table of contents to help you jump from one section to another. Click the button to return to the table of contents.

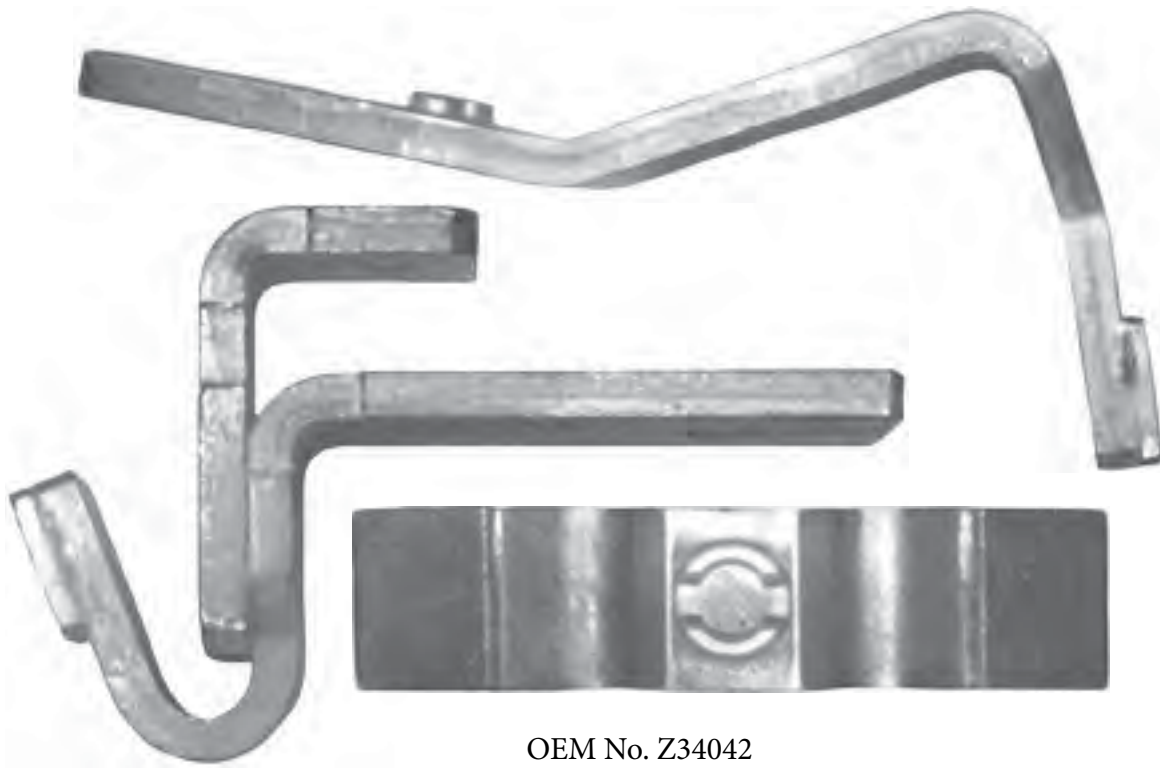
**RETURN TO  
TABLE OF CONTENTS**

- SERIES A (OLD STYLE)
- 500--LINE
- SERIES K
- IEC 100--LINE

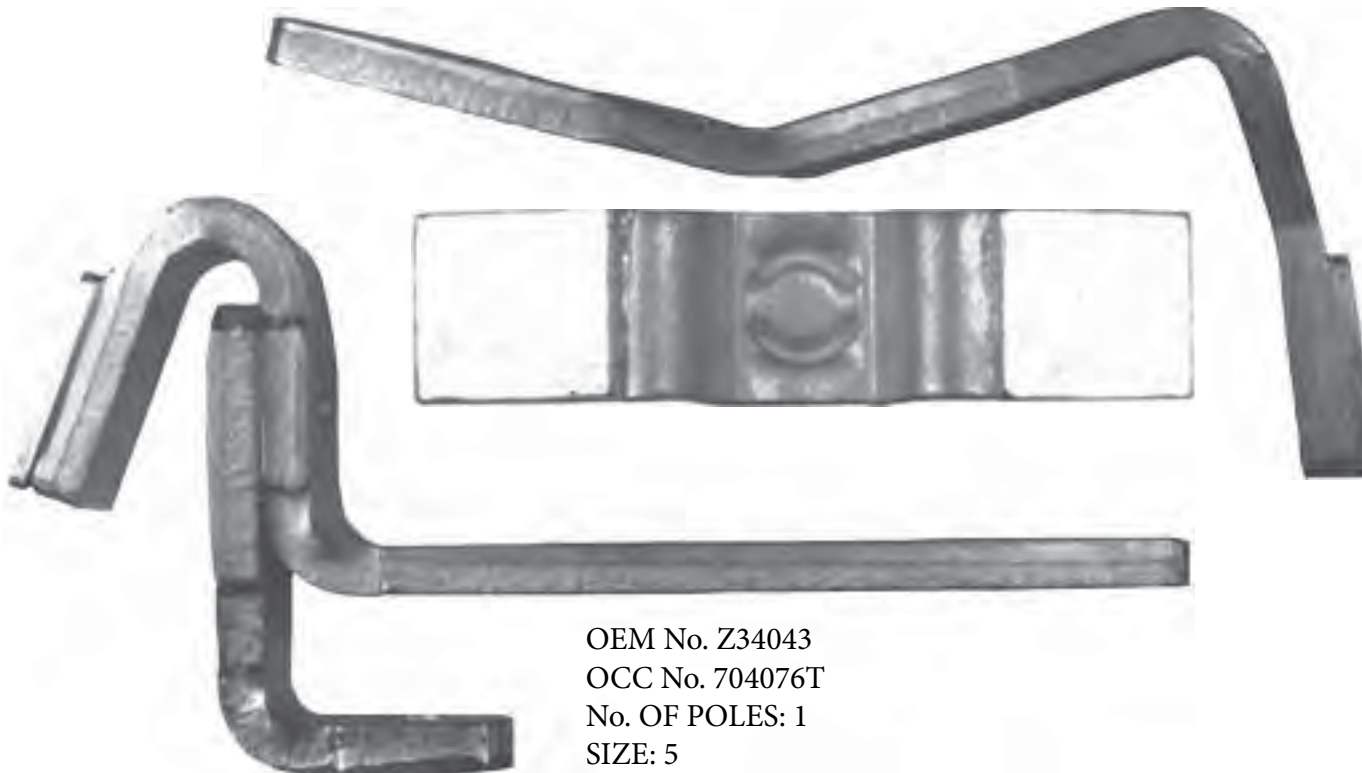
This document utilizes an interactive table of contents to help you jump from one section to another. Click the button to return to the table of contents.

**RETURN TO  
TABLE OF CONTENTS**

- SERIES A (OLD STYLE)
- 500--LINE
- SERIES K
- IEC 100--LINE



OEM No. Z34042  
OCC No. 704074T  
No. OF POLES: 1  
SIZE: 5



OEM No. Z34043  
OCC No. 704076T  
No. OF POLES: 1  
SIZE: 5



## ALLEN-BRADLEY IEC 100-LINE



OEM No. 40768-801-01  
OCC No. 704102T  
DEVICE No. 100-A38  
No. OF POLES: 3



OEM No. 40768-802-01  
OCC No. 704104T  
DEVICE No. 100-A45  
No. OF POLES: 3



OEM No. 40769-800-01  
OCC No. 704106T  
DEVICE No. 100-A60  
No. OF POLES: 3



OEM No. 40769-801-01  
OCC No. 704108T  
DEVICE No. 100-A75  
No. OF POLES: 3



OEM No. 40780-800-01  
OCC No. 704110T  
DEVICE No. 100-B110  
No. OF POLES: 3



OEM No. 40781-800-01  
OCC No. 704112T  
DEVICE No. 100-B180  
No. OF POLES: 3

This document utilizes an interactive table of contents to help you jump from one section to another. Click the button to return to the table of contents.

**RETURN TO  
TABLE OF CONTENTS**

- SERIES A (OLD STYLE)
- 500--LINE
- SERIES K
- IEC 100--LINE





OEM No. 40782-800-01  
OCC No. 704114T  
DEVICE No. 100-B250  
No. OF POLES: 3



OEM No. 40782-801-01  
OCC No. 704116T  
DEVICE No. 100-B300  
No. OF POLES: 3

P. 800-310-5999 F. 330-648-2774  
sales@ohiocontact.com www.ohiocontact.com

This document utilizes an interactive table of contents to help you jump from one section to another. Click the button to return to the table of contents.

**RETURN TO  
TABLE OF CONTENTS**

- SERIES A (OLD STYLE)
- 500--LINE
- SERIES K
- IEC 100--LINE

## AROMAT TABLE OF CONTENTS

| OEM No.     | OCC No. | DESCRIPTION                               | PAGE |
|-------------|---------|---|------|
| BM6-35-901  | 706004T | 3 POLE, SIZE-1++, DEVICE F/FC/FCR/FCRM35  | 11   |
| BM6-50-901  | 706004T | 3 POLE, SIZE-2+, DEVICE F/FC/FCR/FCRM50   | 11   |
| BM6-65-901  | 706101T | 3 POLE, SIZE-2++, DEVICE F/FC/FCR/FCRM65  | 11   |
| BM6-80-901  | 706101T | 3 POLE, SIZE-3, DEVICE F/FC/FCR/FCRM80    | 11   |
| BM6-85-901  | 706101T | 3 POLE, SIZE-3+, DEVICE F/FC/FCR/FCRM85   | 11   |
| BM6-125-901 | 706012T | 3 POLE, SIZE-3++, DEVICE F/FC/FCR/FCRM125 | 12   |
| BM6-160-901 | 706016T | 3 POLE, SIZE-4+, DEVICE F/FC/FCR/FCRM160  | 12   |
| BM6-190-901 | 706016T | 3 POLE, SIZE-4++, DEVICE F/FC/FCR/FCRM190 | 12   |

This document utilizes an interactive table of contents to help you jump from one section to another. Click the button to return to the table of contents.

**RETURN TO  
TABLE OF CONTENTS**



**AROMAT**  
GREEN POWER CONTACTORS  
TYPES F/ FC/ FCR/ FCRM



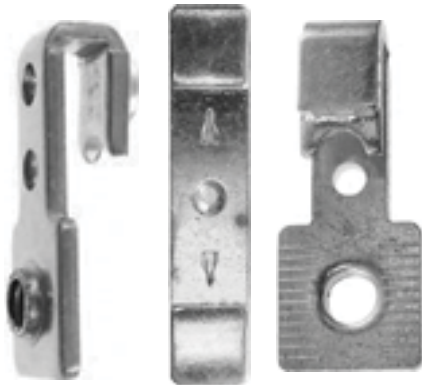
OEM No. BM6-35-901  
OCC No. 706004T  
Device No. F/FC/FCR/FCRM35  
No. OF POLES: 3  
SIZE: 1++



OEM No. BM6-50-901  
OCC No. 706004T  
Device No. F/FC/FCR/FCRM50  
No. OF POLES: 3  
SIZE: 2+



OEM No. BM6-65-901  
OCC No. 706101T  
DEVICE No. F/FC/FCR/FCRM65  
No. OF POLES: 3  
SIZE: 2++



OEM No. BM6-80-901  
OCC No. 706101T  
DEVICE No. F/FC/FCR/FCRM80  
No. OF POLES: 3  
SIZE: 3



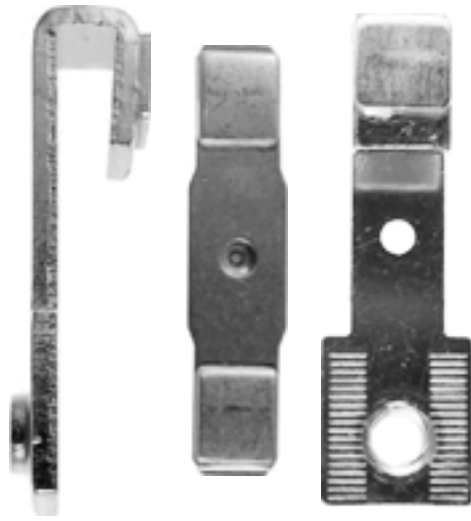
OEM No. BM6-85-901  
OCC No. 706101T  
DEVICE No. F/FC/FCR/FCRM85  
No. OF POLES: 3  
SIZE: 3+

This document utilizes an interactive table of contents to help you jump from one section to another. Click the button to return to the table of contents.

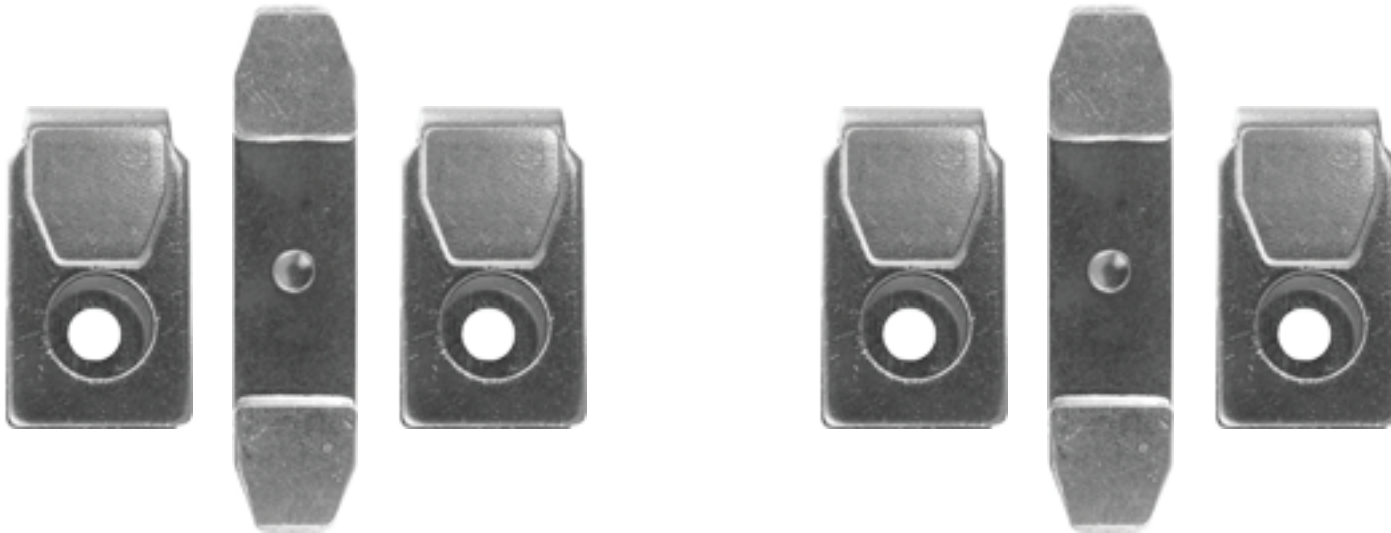
**RETURN TO  
TABLE OF CONTENTS**

This document utilizes an interactive table of contents to help you jump from one section to another. Click the button to return to the table of contents.

[RETURN TO TABLE OF CONTENTS](#)



OEM No. BM6-125-901  
OCC No. 706012T  
DEVICE No. F/FC/FCR/FCRM125  
No. OF POLES: 3  
SIZE: 3++



OEM No. BM6-160-901  
OCC No. 706016T  
DEVICE No. F/FC/FCR/FCRM160  
No. OF POLES: 3  
SIZE: 4+

OEM No. BM6-190-901  
OCC No. 706016T  
DEVICE No. F/FC/FCR/FCRM190  
No. OF POLES: 3  
SIZE: 4++

## ARROW HART TABLE OF CONTENTS

| OEM No.   | OCC No. | DESCRIPTION       | PAGE |
|-----------|---------|-------------------|------|
| 37640-301 | 760006T | 1 POLE, SIZE-2    | 15   |
| 38640-301 | 760008T | 1 POLE, SIZE-3    | 15   |
| 40500-301 | 760010T | 1 POLE, SIZE-4    | 15   |
| 34300-301 | 760002T | 1 POLE, 30-40 AMP | 15   |
| 34600-301 | 760004T | 1 POLE, 50-75 AMP | 15   |

This document utilizes an interactive table of contents to help you jump from one section to another. Click the button to return to the table of contents.

**RETURN TO  
TABLE OF CONTENTS**





**ARROW HART**  
**TYPE RA (OLD STYLE)**



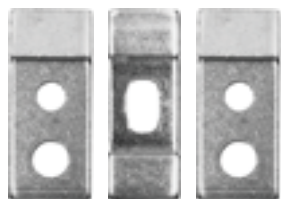
OEM No. 37640-301  
 OCC No. 760006T  
 No. OF POLES: 1  
 SIZE: 2



OEM No. 38640-301  
 OCC No. 760008T  
 No. OF POLES: 1  
 SIZE: 3



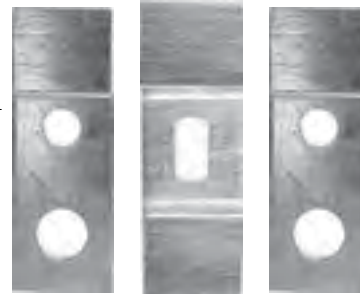
OEM No. 40500-301  
 OCC No. 760010T  
 No. OF POLES: 1  
 SIZE: 4



OEM No. 34300-301  
 OCC No. 760002T  
 No. OF POLES: 1  
 AMPS: 30-40

**TYPES ACC, ACS, ACV**

OEM No. 34600-301  
 OCC No. 760004T  
 No. OF POLES: 1  
 AMPS: 50-75



P. 800-310-5999 F. 330-648-2774  
 sales@ohiocontact.com www.ohiocontact.com

This document utilizes an interactive table of contents to help you jump from one section to another. Click the button to return to the table of contents.

**RETURN TO  
 TABLE OF CONTENTS**

## ASEA BROWN BOVERI TABLE OF CONTENTS

| OEM No.      | OCC No. | DESCRIPTION     | PAGE |
|--------------|---------|-----------------|------|
| EG401CK      | 708012T | 3 POLE, SIZE-2  | 19   |
| EG801CK      | 708014T | 3 POLE, SIZE-3  | 19   |
| EG1601CK     | 708016T | 3 POLE, SIZE-4  | 19   |
| EG3151CK     | 708018T | 3 POLE, SIZE-5  | 19   |
| EG6302CK     | 708020T | 3 POLE, SIZE-6  | 19   |
| EG900CK      | 708022T | 3 POLE, SIZE-7  | 19   |
| EFLG80CK     | 708138T | 3 POLE, 110 AMP | 20   |
| EFLG160CK    | 708004T | 3 POLE, 180 AMP | 20   |
| EFLG280CK    | 708006T | 3 POLE, 280 AMP | 20   |
| EFLG315CK    | 708008T | 3 POLE, 360 AMP | 20   |
| EFLG630CK    | 708010T | 3 POLE, 535 AMP | 20   |
| EHCK50-3     | 708112T | 3 POLE, SIZE-2  | N/P  |
| EHCK65-3     | 708112T | 3 POLE, SIZE-2  | N/P  |
| EHCK75-3     | 708112T | 3 POLE, SIZE-2  | N/P  |
| EHCK80-3     | 708024T | 3 POLE, SIZE-3  | 21   |
| EHCK90-3     | 708024T | 3 POLE, SIZE-3  | 21   |
| EHCK100-3    | 708028T | 3 POLE, SIZE-4  | 21   |
| EHCK145-3    | 708028T | 3 POLE, SIZE-4  | 21   |
| EHCK150-3    | 708036T | 3 POLE, SIZE-4+ | 21   |
| EHCK160-3    | 708036T | 3 POLE, SIZE-4+ | 21   |
| EHCK170-3    | 708036T | 3 POLE, SIZE-4+ | 21   |
| EHCK175-3    | 708036T | 3 POLE, SIZE-4+ | 21   |
| EHCK210-3    | 708036T | 3 POLE, SIZE-4+ | 21   |
| EHCK250-3    | 708044T | 3 POLE, SIZE-5  | 21   |
| EHCK260-3    | 708044T | 3 POLE, SIZE-5  | 21   |
| EHCK270-3    | 708044T | 3 POLE, SIZE-5  | 21   |
| EHCK280-3    | 708044T | 3 POLE, SIZE-5  | 21   |
| EHCK300-3    | 708044T | 3 POLE, SIZE-5  | 21   |
| EHCK370-3    | 708056T | 3 POLE, SIZE-6  | 22   |
| EHCK450-3    | 708056T | 3 POLE, SIZE-6  | 22   |
| EHCK550-3    | 708056T | 3 POLE, SIZE-6  | 22   |
| EHCK700-3    | 708058T | 3 POLE, SIZE-7  | 22   |
| EHCK800-3    | 708058T | 3 POLE, SIZE-8  | 22   |
| EHDBCK075-NC | 708064T | 1 POLE, N/C     | 23   |
| EHDBCK110-NC | 708064T | 1 POLE, N/C     | 23   |
| EHDBCK130-NC | 708072T | 1 POLE, N/C     | 23   |
| EHDBCK220-NC | 708074T | 1 POLE, N/C     | 23   |
| EHDBCK280-NC | 708074T | 1 POLE, N/C     | 23   |
| EHDBCK360-NC | 708084T | 1 POLE, N/C     | 23   |
| EHDBCK520-NC | 708088T | 1 POLE, N/C     | 24   |
| EHDBCK650-NC | 708088T | 1 POLE, N/C     | 24   |
| EHDBCK800-NC | 708096T | 1 POLE, N/C     | 24   |
| EHDBCK960-NC | 708096T | 1 POLE, N/C     | 24   |

This document utilizes an interactive table of contents to help you jump from one section to another. Click the button to return to the table of contents.

**RETURN TO  
TABLE OF CONTENTS**

- GENERAL PURPOSE--TYPE EG
- DRIVE CONTACTORS--TYPE EFLG
- TYPE--EH
- EHDB DRIVE CONTACTORS
- TYPE--B CONTACTORS
- TYPE--A/AF/AE/TAE

This document utilizes an interactive table of contents to help you jump from one section to another. Click the button to return to the table of contents.

**RETURN TO  
TABLE OF CONTENTS**

- GENERAL PURPOSE--TYPE EG
- DRIVE CONTACTORS--TYPE EFLG
- TYPE--EH
- EHDB DRIVE CONTACTORS
- TYPE--B CONTACTORS
- TYPE--A/AF/AE/TAE

| OEM No.     | OCC No. | DESCRIPTION                   | PAGE |
|-------------|---------|-------------------------------|------|
| KL30        | 708102T | 3 POLE, TYPE: B30/BC30        | 24   |
| KL40        | 708110T | 3 POLE, TYPE: B40/BE40        | 24   |
| KL50        | 708110T | 3 POLE, TYPE: B50/BE50        | 24   |
| KL63        | 708110T | 3 POLE, TYPE: B63/BE63        | 24   |
| KL75        | 708110T | 3 POLE, TYPE: B75/BE75        | 24   |
| EHDBCK075-2 | 708066T | 2 POLE, N/O                   | N/P  |
| EHDBCK110-2 | 708066T | 2 POLE, N/O                   | N/P  |
| EHDBCK130-2 | 708070T | 2 POLE, N/O                   | N/P  |
| EHDBCK220-2 | 708076T | 2 POLE, N/O                   | N/P  |
| EHDBCK280-2 | 708076T | 2 POLE, N/O                   | N/P  |
| EHDBCK360-2 | 708082T | 2 POLE, N/O                   | N/P  |
| EHDBCK520-2 | 708086T | 2 POLE, N/O                   | N/P  |
| EHDBCK650-2 | 708086T | 2 POLE, N/O                   | N/P  |
| EHDBCK800-2 | 708094T | 2 POLE, N/O                   | N/P  |
| ZL50        | 708126T | 3 POLE, DEVICE A/AF/AE/TAE50  | 25   |
| ZL63        | 708126T | 3 POLE, DEVICE A/AF/AE/TAE63  | 25   |
| ZL75        | 708126T | 3 POLE, DEVICE A/AF/AE/TAE75  | 25   |
| ZL95        | 708128T | 3 POLE, DEVICE A/AF/AE/TAE95  | 25   |
| ZL110       | 708128T | 3 POLE, DEVICE A/AF/AE/TAE110 | 25   |
| ZL145       | 708120T | 3 POLE, DEVICE A/AF145        | 25   |
| ZL185       | 708120T | 3 POLE, DEVICE A/AF185        | 25   |
| ZL210       | 708132T | 3 POLE, DEVICE A/AF210        | 25   |
| ZL260       | 708132T | 3 POLE, DEVICE A/AF260        | 25   |
| ZL300       | 708132T | 3 POLE, DEVICE A/AF300        | 25   |
| ZL400       | 708148T | 3 POLE, DEVICE A/AF400        | 25   |
| ZL460       | 708148T | 3 POLE, DEVICE A/AF460        | 25   |
| ZL580       | 708152T | 3 POLE, DEVICE A/AF580        | N/P  |
| ZL750       | 708152T | 3 POLE, DEVICE A/AF750        | N/P  |

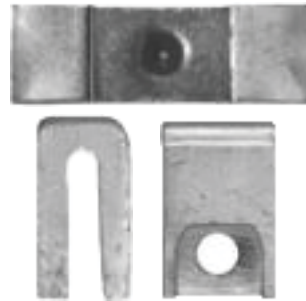
**N/P- NOT PICTURED**



## ASEA BROWN BOVERI GENERAL PURPOSE- TYPE EG



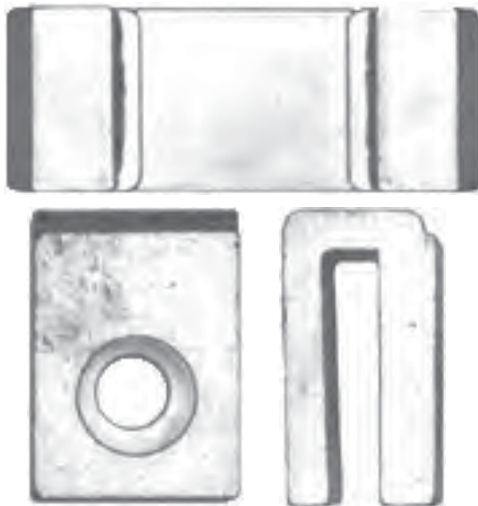
OEM No. EG401CK  
OCC No. 708012T  
TYPE: EG30, 40  
No. OF POLES: 3  
SIZE: 2



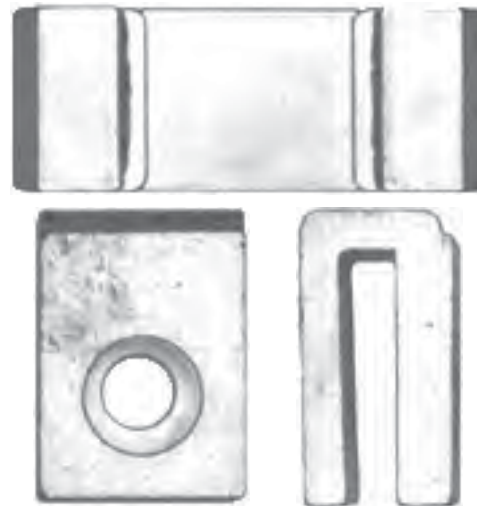
OEM No. EG801CK  
OCC No. 708014T  
TYPE: EG80  
No. OF POLES: 3  
SIZE: 3



OEM No. EG1601CK  
OCC No. 708016T  
TYPE: EG160  
No. OF POLES: 3  
SIZE: 4



OEM No. EG3151CK  
OCC No. 708018T  
TYPE: EG315  
No. OF POLES: 3  
SIZE: 5



OEM No. EG6302CK  
OCC No. 708020T  
TYPE: EG630  
No. OF POLES: 3  
SIZE: 6



OEM No. EG900CK  
OCC No. 708022T  
TYPE: EG900  
No. OF POLES: 3  
SIZE: 7

This document utilizes an interactive table of contents to help you jump from one section to another. Click the button to return to the table of contents.

**RETURN TO  
TABLE OF CONTENTS**

- GENERAL PURPOSE--TYPE EG
- DRIVE CONTACTORS--TYPE EFLG
- TYPE--EH
- EHDB DRIVE CONTACTORS
- TYPE--B CONTACTORS
- TYPE--A/AF/AE/TAE



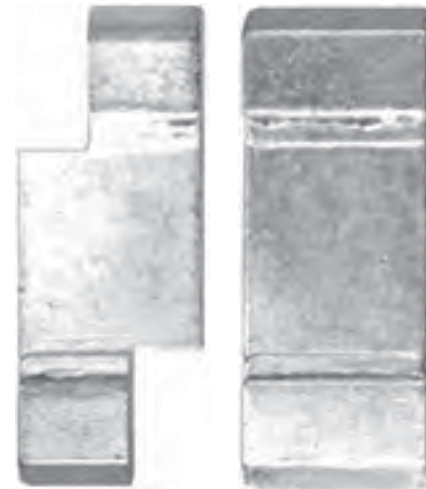
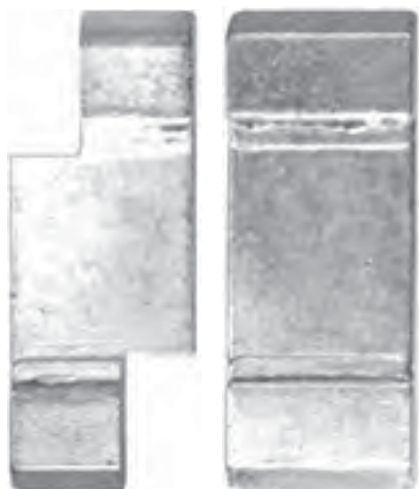
## ASEA BROWN BOVERI DRIVE CONTACTORS-TYPE EFLG



OEM No. EFLG80CK  
 OCC No. 708138T  
 TYPE: EFLG80  
 No. OF POLES: 3  
 AMPS: 110



OEM No. EFLG160CK  
 OCC No. 708004T  
 TYPE: EFLG160  
 No. OF POLES: 3  
 AMPS: 180



OEM No. EFLG280CK  
 OCC No. 708006T  
 TYPE: EFLG280  
 No. OF POLES: 3  
 AMPS: 280

OEM No. EFLG315CK  
 OCC No. 708008T  
 TYPE: EFLG315  
 No. OF POLES: 3  
 AMPS: 360

OEM No. EFLG630CK  
 OCC No. 708010T  
 TYPE: EFLG630  
 No. OF POLES: 3  
 AMPS: 535

P. 800-310-5999 F. 330-648-2774  
 sales@ohiocontact.com www.ohiocontact.com

This document utilizes an interactive table of contents to help you jump from one section to another. Click the button to return to the table of contents.

**RETURN TO  
 TABLE OF CONTENTS**

- GENERAL PURPOSE--TYPE EG
- DRIVE CONTACTORS--TYPE EFLG
- TYPE--EH
- EHDB DRIVE CONTACTORS
- TYPE--B CONTACTORS
- TYPE--A/AF/AE/TAE

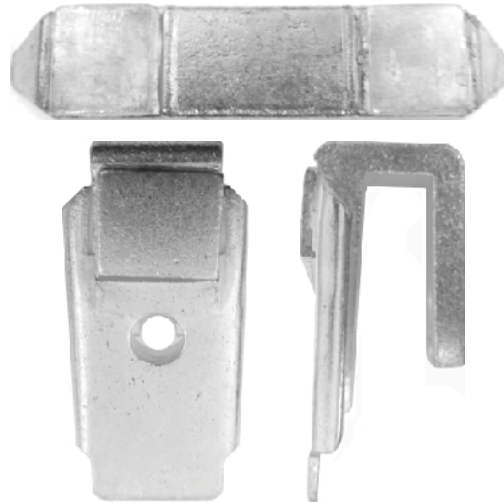
## ASEA BROWN BOVERI TYPE-EH



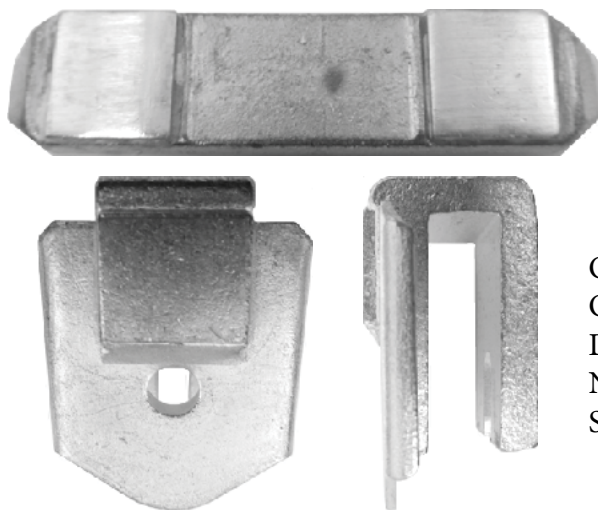
OEM No. EHCK80-3/ EHCK90-3  
OCC No. 708024T  
DEVICE No. EH80/ EH90  
No. OF POLES: 3  
SIZE: 3



OEM No. EHCK100-3/ EHCK145-3  
OCC No. 708028T  
DEVICE No. EH100/ EH145  
No. OF POLES: 3  
SIZE: 4



OEM No. EHCK150-3/160-3/170-3/175-3/210-3  
OCC No. 708036T  
DEVICE No. EH150/160/170/175/210  
No. OF POLES: 3  
SIZE: 4+

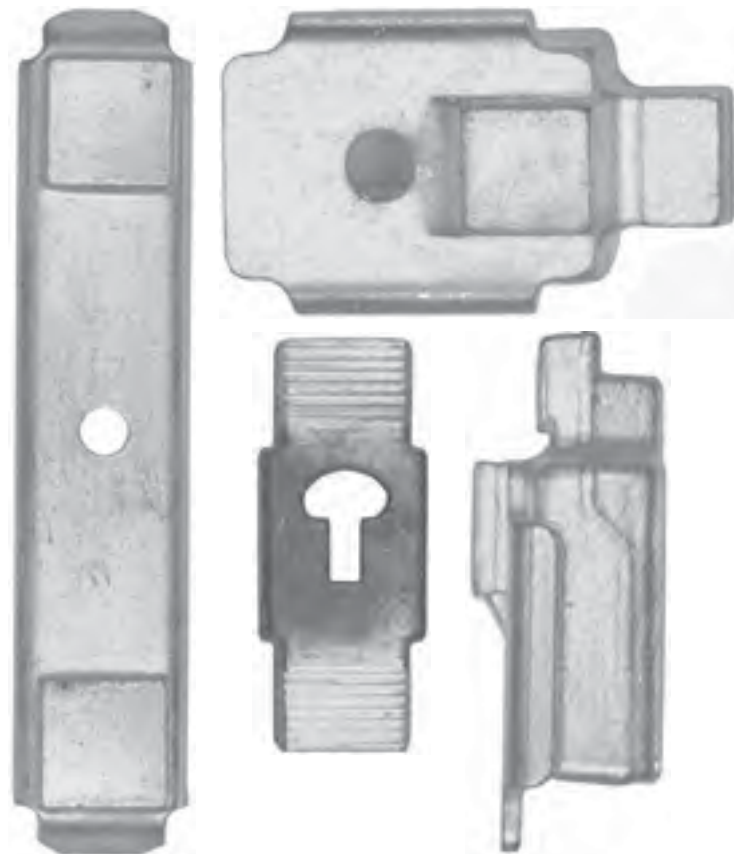


OEM No. EHCK250-3/260-3/270-3/280-3/300-3  
OCC No. 708044T  
DEVICE No. EH250/260/270/280/300  
No. OF POLES: 3  
SIZE: 5

This document utilizes an interactive table of contents to help you jump from one section to another. Click the button to return to the table of contents.

[RETURN TO TABLE OF CONTENTS](#)

- GENERAL PURPOSE--TYPE EG
- DRIVE CONTACTORS--TYPE EFLG
- TYPE--EH
- EHDB DRIVE CONTACTORS
- TYPE--B CONTACTORS
- TYPE--A/AF/AE/TAE

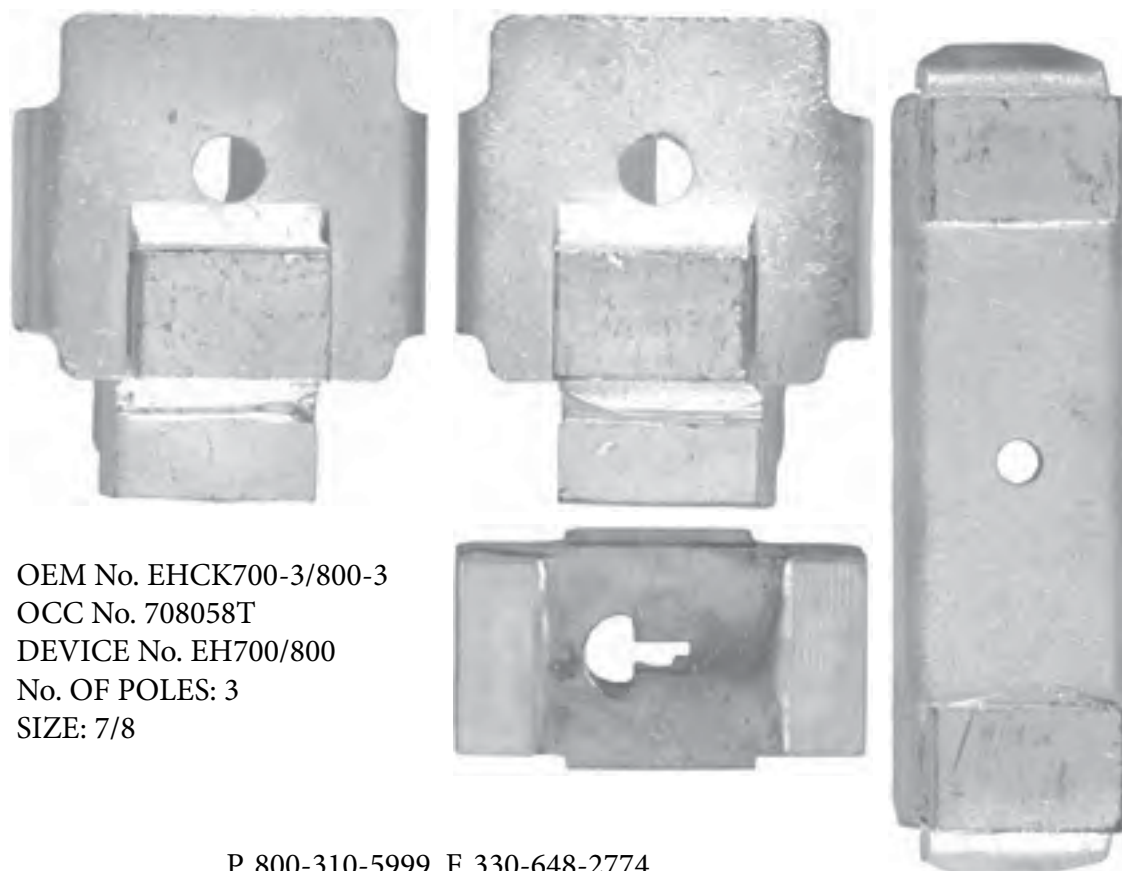


OEM No. EHCK370-3/450-3/550-3  
OCC No. 708056T  
DEVICE No. EH370/450/550  
No. OF POLES: 3  
SIZE: 6

This document utilizes an interactive table of contents to help you jump from one section to another. Click the button to return to the table of contents.

## RETURN TO TABLE OF CONTENTS

- GENERAL PURPOSE--TYPE EG
- DRIVE CONTACTORS--TYPE EFLG
- TYPE--EH
- EHDB DRIVE CONTACTORS
- TYPE--B CONTACTORS
- TYPE--A/AF/AE/TAE



OEM No. EHCK700-3/800-3  
OCC No. 708058T  
DEVICE No. EH700/800  
No. OF POLES: 3  
SIZE: 7/8

P. 800-310-5999 F. 330-648-2774  
sales@ohiocontact.com www.ohiocontact.com

## ASEA BROWN BOVERI EHDB DRIVE CONTACTORS



OEM No. EHD BCK075-NC/110-NC  
OCC No. 708064T  
TYPE: EHDB75/110  
No. OF POLES: 1  
NORMALLY CLOSED



OEM No. EHD BCK130-NC  
OCC No. 708072T  
TYPE: EHDB130  
No. OF POLES: 1  
NORMALLY CLOSED



OEM No. EHD BCK220-NC/280-NC  
OCC No. 708074T  
TYPE: EHDB220/280  
No. OF POLES: 1  
NORMALLY CLOSED



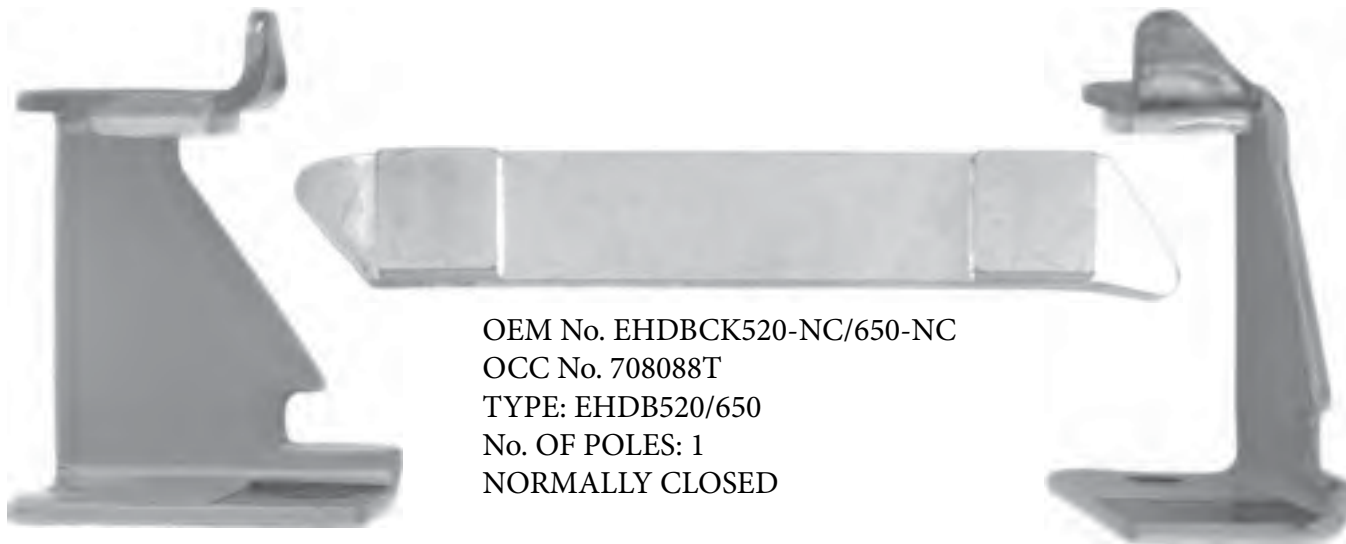
OEM No. EHD BCK360-NC  
OCC No. 708084T  
TYPE: EHDB360  
No. OF POLES: 1  
NORMALLY CLOSED

This document utilizes an interactive table of contents to help you jump from one section to another. Click the button to return to the table of contents.

**RETURN TO  
TABLE OF CONTENTS**

- GENERAL PURPOSE--TYPE EG
- DRIVE CONTACTORS--TYPE EFLG
- TYPE--EH
- EHDB DRIVE CONTACTORS
- TYPE--B CONTACTORS
- TYPE--A/AF/AE/TAE





OEM No. EHDBCK520-NC/650-NC  
 OCC No. 708088T  
 TYPE: EHDB520/650  
 No. OF POLES: 1  
 NORMALLY CLOSED

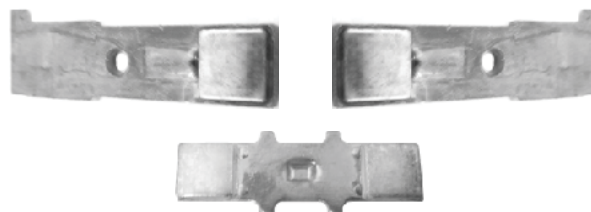


OEM No. EHDBCK800-NC/960-NC  
 OCC No. 708096T  
 TYPE: EHDB800/960  
 No. OF POLES:1  
 NORMALLY CLOSED

## TYPE B CONTACTORS



OEM No. KL30  
 OCC No. 708102T  
 TYPE: B30/BC30  
 No. OF POLES: 3



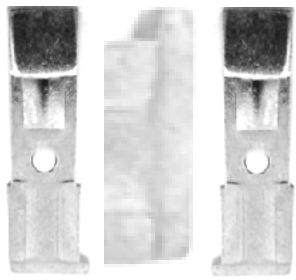
OEM No. KL40/50/63/75  
 OCC No. 708110T  
 TYPE: B40/50/63/75/BE40/50/63/75  
 No. OF POLES: 3

This document utilizes an interactive table of contents to help you jump from one section to another. Click the button to return to the table of contents.

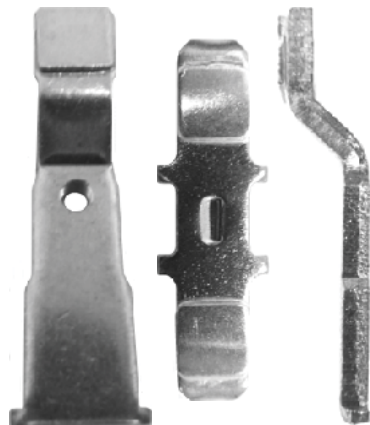
**RETURN TO  
 TABLE OF CONTENTS**

- GENERAL PURPOSE--TYPE EG
- DRIVE CONTACTORS--TYPE EFLG
- TYPE--EH
- EHDB DRIVE CONTACTORS
- TYPE--B CONTACTORS
- TYPE--A/AF/AE/TAE

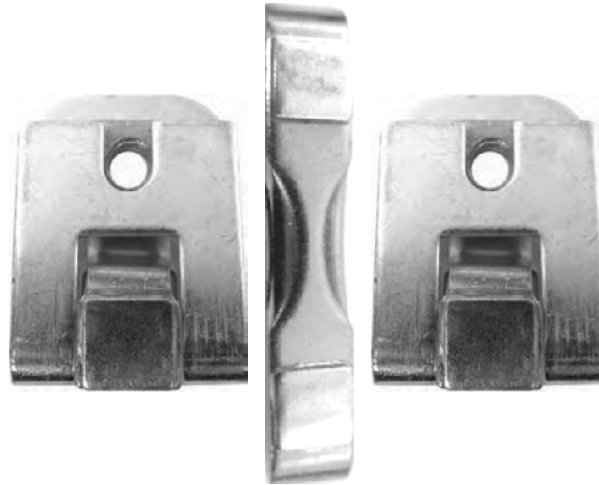
**ASEA BROWN BOVERI**  
**TYPE A/AF/AE/TAE**



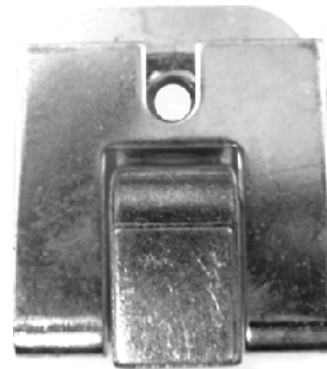
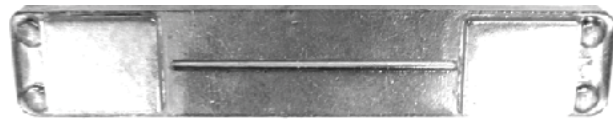
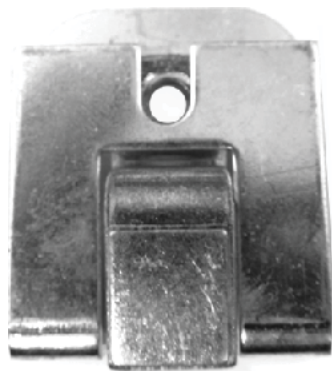
OEM No. ZL50, 63, 75  
 OCC No. 708126T  
 No. OF POLES: 3



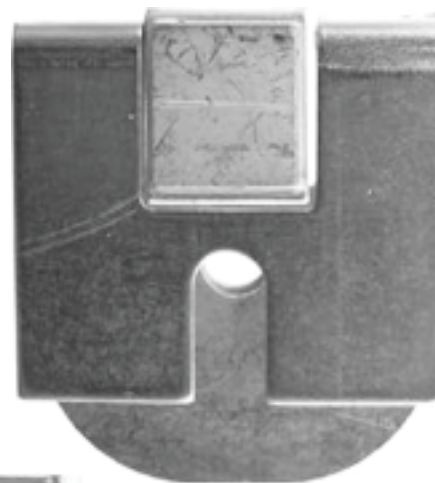
OEM No. ZL95, 110  
 OCC No. 708128T  
 No. OF POLES: 3



OEM No. ZL145, 185  
 OCC No. 708120T  
 No. OF POLES: 3



OEM No. ZL210, 260, 300  
 OCC No. 708132T  
 No. OF POLES: 3



OEM No. ZL400, 460  
 OCC No. 708148T  
 No. OF POLES: 3

This document utilizes an interactive table of contents to help you jump from one section to another. Click the button to return to the table of contents.

**RETURN TO  
 TABLE OF CONTENTS**

- GENERAL PURPOSE--TYPE EG
- DRIVE CONTACTORS--TYPE EFLG
- TYPE--EH
- EHDB DRIVE CONTACTORS
- TYPE--B CONTACTORS
- TYPE--A/AF/AE/TAE



## CHALLENGER/ CLARK/ SYLVANIA/ JOSLYN TABLE OF CONTENTS

| OEM NO.   | OCC NO. | DESCRIPTION                            | PAGE |
|-----------|---------|--|------|
| CY31-1    | 712118T | 3 POLE, SIZE-1                         | 28   |
| CY32-1    | 712120T | 3 POLE, SIZE-2                         | 28   |
| CY33-1    | 712122T | 3 POLE, SIZE-3                         | 28   |
| CY34-1    | 712124T | 3 POLE, SIZE-4                         | 28   |
| KTM31-1   | 712142T | 3 POLE, SIZE-1                         | 29   |
| KTM32-1   | 712144T | 3 POLE, SIZE-2                         | 29   |
| KTM33-1   | 712146T | 3 POLE, SIZE-3                         | 29   |
| KTM34-1   | 712148T | 3 POLE, SIZE-4                         | 29   |
| KTM35-1   | 712150T | 3 POLE, SIZE-5                         | 29   |
| 100-4RD   | 712022T | SINGLE CONTACT, 100 AMP                | 30   |
| 150-4RD   | 712034T | SINGLE CONTACT, 150 AMP                | 30   |
| 300-4RD   | 712042T | SINGLE CONTACT, 300 AMP                | 30   |
| 400-4RD   | 712196T | SINGLE CONTACT, 400 AMP                | 30   |
| 600-4RD   | 712050T | SINGLE CONTACT, 600 AMP                | 30   |
| 900-4RD   | 712010T | SINGLE CONTACT, 900 AMP                | 30   |
| KKD-1     | 712188T | AUXILIARY CONTACT, 1NO/1NC             | 31   |
| KKD-2     | 712154T | AUXILIARY CONTACT, 2NO                 | 31   |
| KKD-3     | 712228T | AUXILIARY CONTACT, 2NC                 | 31   |
| KKD-7     | 712210T | AUXILIARY CONTACT, 1NO                 | 31   |
| KKD-8     | 712190T | AUXILIARY CONTACT, 1NC                 | 31   |
| KKD-050   | 712134T | 1 POLE, 50 AMP, UNIT# 74U12            | 32   |
| KKD-100   | 712136T | 1 POLE, 100 AMP, UNIT# 74U13           | 32   |
| KKD-150   | 712138T | 1 POLE, 150 AMP, UNIT# 74U14           | 32   |
| KKD-300   | 712140T | 1 POLE, 300 AMP, UNIT# 74U15           | 32   |
| 5M49      | 744004T | 1 POLE, SIZE-3/4, 110/180/260 AMP, N/C | 33   |
| 5M52      | 744006T | 1 POLE, SIZE-2, 56 AMP, N/O            | 33   |
| 5M53      | 744008T | 1 POLE, SIZE-3, 110 AMP, N/O           | 33   |
| 5M54      | 744008T | 1 POLE, SIZE-4, 180 AMP, N/O           | 33   |
| 5M56      | 744012T | 1 POLE, SIZE- 4 1/2, 260 AMP, N/O      | 34   |
| 5M45      | 744002T | 1 POLE, SIZE- 5, 360 AMP, N/O          | 34   |
| 5999-2371 | 712212T | 1 POLE, 535 AMP, N/O                   | N/P  |

N/P- NOT PICTURED

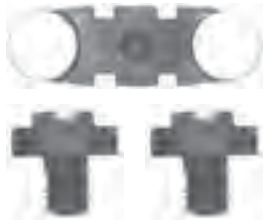
This document utilizes an interactive table of contents to help you jump from one section to another. Click the button to return to the table of contents.

**RETURN TO  
TABLE OF CONTENTS**

- TYPE--CY
- TYPE--TM
- 100 AMP TO 900 AMP DC CONTACTORS  
BULLETIN 7400, TYPE RS & RD
- KKD AUXILIARY CONTACTS
- BULLETIN 7400, TYPE KD & KS DC CONTACTORS
- 5000/5000DP SERIES



## CLARK/ SYLVANIA/ JOSLYN (TYPE CY)



OEM No. CY31-1  
OCC No. 712118T  
No. OF POLES: 3  
SIZE: 1



OEM No. CY32-1  
OCC No. 712120T  
No. OF POLES: 3  
SIZE: 2



OEM No. CY33-1  
OCC No. 712122T  
No. OF POLES: 3  
SIZE: 3



OEM No. CY34-1  
OCC No. 712124T  
No. OF POLES: 3  
SIZE: 4

This document utilizes an interactive table of contents to help you jump from one section to another. Click the button to return to the table of contents.

**RETURN TO  
TABLE OF CONTENTS**

- TYPE--CY
- TYPE--TM
- 100 AMP TO 900 AMP DC CONTACTORS  
BULLETIN 7400, TYPE RS & RD
- KKD AUXILIARY CONTACTS
- BULLETIN 7400, TYPE KD & KS DC CONTACTORS
- 5000/5000DP SERIES

## CLARK/ SYLVANIA/ JOSLYN (TYPE TM)



OEM No. KTM31-1  
OCC No. 712142T  
No. OF POLES: 3  
SIZE: 1



OEM No. KTM32-1  
OCC No. 712144T  
No. OF POLES: 3  
SIZE: 2



OEM No. KTM33-1  
OCC No. 712146T  
No. OF POLES: 3  
SIZE: 3



OEM No. KTM34-1  
OCC No. 712148T  
No. OF POLES: 3  
SIZE: 4



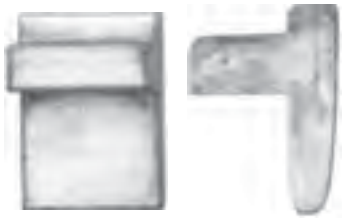
OEM No. KTM35-1  
OCC No. 712150T  
No. OF POLES: 3  
SIZE: 5

This document utilizes an interactive table of contents to help you jump from one section to another. Click the button to return to the table of contents.

**RETURN TO  
TABLE OF CONTENTS**

- TYPE--CY
- TYPE--TM
- 100 AMP TO 900 AMP DC CONTACTORS  
BULLETIN 7400, TYPE RS & RD
- KKD AUXILIARY CONTACTS
- BULLETIN 7400, TYPE KD & KS DC CONTACTORS
- 5000/5000DP SERIES

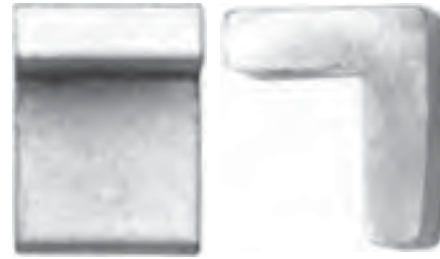
**CLARK/ CHALLENGER/ SYLVANIA**  
**100 AMP TO 900 AMP DC CONTACTORS**  
**BULLETIN 7400, RS AND RD**



OEM No. 100-4RD  
 OCC No. 712022T  
 AMPS: 100  
 SINGLE CONTACT



OEM No. 150-4RD  
 OCC No. 712034T  
 AMPS: 150  
 SINGLE CONTACT



OEM No. 300-4RD  
 OCC No. 712042T  
 AMPS: 300  
 SINGLE CONTACT



OEM No. 400-4RD  
 OCC No. 712196T  
 AMPS: 400  
 SINGLE CONTACT



OEM No. 600-4RD  
 OCC No. 712050T  
 AMPS: 600  
 SINGLE CONTACT



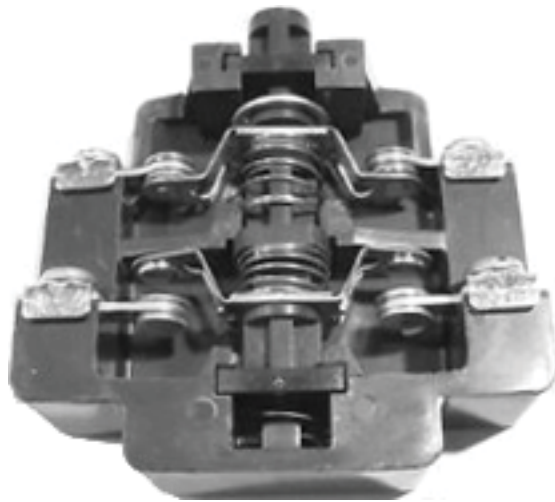
OEM No. 900-4RD  
 OCC No. 712010T  
 AMPS: 900  
 SINGLE CONTACT

This document utilizes an interactive table of contents to help you jump from one section to another. Click the button to return to the table of contents.

**RETURN TO  
 TABLE OF CONTENTS**

- TYPE--CY
- TYPE--TM
- 100 AMP TO 900 AMP DC CONTACTORS BULLETIN 7400, TYPE RS & RD
- KKD AUXILIARY CONTACTS
- BULLETIN 7400, TYPE KD & KS DC CONTACTORS
- 5000/5000DP SERIES

**CLARK/ CHALLENGER/ SYLVANIA**  
**KKD AUXILIARY CONTACTS**



| <u>OEM No.</u> | <u>TYPE</u> | <u>OCC No.</u> |
|----------------|-------------|----------------|
| KKD-1          | 1NO / 1NC   | 712188T        |
| KKD-2          | 2NO         | 712154T        |
| KKD-3          | 2NC         | 712228TC       |
| KKD-7          | 1NO         | 712210T        |
| KKD-8          | 1NC         | 712190T        |

This document utilizes an interactive table of contents to help you jump from one section to another. Click the button to return to the table of contents.

**RETURN TO  
TABLE OF CONTENTS**

- TYPE--CY
- TYPE--TM
- 100 AMP TO 900 AMP DC CONTACTORS  
BULLETIN 7400, TYPE RS & RD
- KKD AUXILIARY CONTACTS
- BULLETIN 7400, TYPE KD & KS DC CONTACTORS
- 5000/5000DP SERIES



**CLARK/ CHALLENGER**  
**BULLETIN 7400, TYPE KD & KS**  
**DC CONTACTORS**



OEM No. KKD-050  
 OCC No. 712134T  
 No. OF POLES: 1  
 AMPS: 50  
 UNIT No. 74U12



OEM No. KKD-100  
 OCC No. 712136T  
 No. OF POLES: 1  
 AMPS: 100  
 WIDTH: .625"  
 UNIT No. 74U13



OEM No. KKD-150  
 OCC No. 712138T  
 No. OF POLES: 1  
 AMPS: 150  
 WIDTH: .750"  
 UNIT No. 74U14



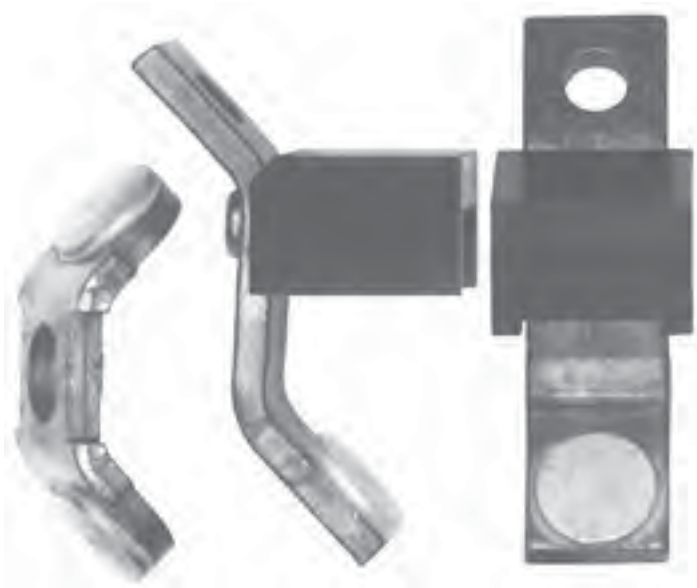
OEM No. KKD-300  
 OCC No. 712140T  
 No. OF POLES: 1  
 AMPS: 300  
 WIDTH: 1.0"  
 UNIT No. 74U15

This document utilizes an interactive table of contents to help you jump from one section to another. Click the button to return to the table of contents.

**RETURN TO  
 TABLE OF CONTENTS**

- TYPE--CY
- TYPE--TM
- 100 AMP TO 900 AMP DC CONTACTORS  
 BULLETIN 7400, TYPE RS & RD
- KKD AUXILIARY CONTACTS
- BULLETIN 7400, TYPE KD & KS DC CONTACTORS
- 5000/5000DP SERIES

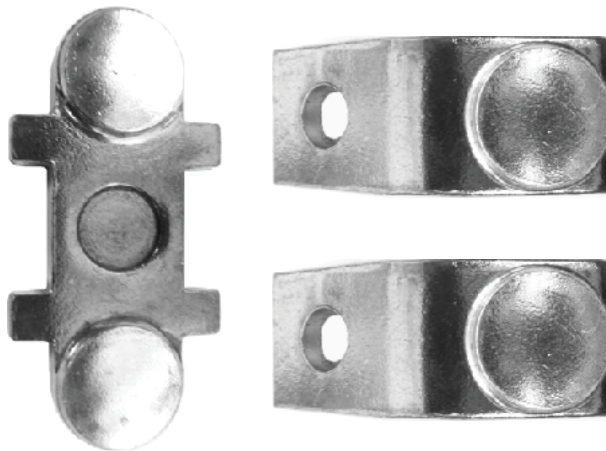
## JOSLYN-CLARK 5000/5000DP SERIES



OEM No. 5M49  
OCC No. 744004T  
No. OF POLES: 1  
SIZE: 3/4  
AMPS: 110/180/260  
TYPE: N/C



OEM No. 5M52  
OCC No. 744006T  
No. OF POLES: 1  
SIZE: 2  
AMPS: 56  
TYPE: N/O



OEM No. 5M53/ 5M54  
OCC No. 744008T  
No. OF POLES: 1  
SIZE: 3/4  
AMPS: 110/180  
TYPE: N/O

This document utilizes an interactive table of contents to help you jump from one section to another. Click the button to return to the table of contents.

[RETURN TO  
TABLE OF CONTENTS](#)

- TYPE--CY
- TYPE--TM
- 100 AMP TO 900 AMP DC CONTACTORS  
BULLETIN 7400, TYPE RS & RD
- KKD AUXILIARY CONTACTS
- BULLETIN 7400, TYPE KD & KS DC CONTACTORS
- 5000/5000DP SERIES



OEM No. 5M56  
OCC No. 744012T  
No. OF POLES: 1  
SIZE: 4 1/2  
AMPS: 260  
TYPE: N/O



OEM No. 5M45  
OCC No. 744002T  
No. OF POLES: 1  
SIZE: 5  
AMPS: 360  
TYPE: N/O

This document utilizes an interactive table of contents to help you jump from one section to another. Click the button to return to the table of contents.

**RETURN TO  
TABLE OF CONTENTS**

- TYPE--CY
- TYPE--TM
- 100 AMP TO 900 AMP DC CONTACTORS  
BULLETIN 7400, TYPE RS & RD
- KKD AUXILIARY CONTACTS
- BULLETIN 7400, TYPE KD & KS DC CONTACTORS
- 5000/5000DP SERIES

## CUTLER-HAMMER TABLE OF CONTENTS

| OEM No. | OCC No. | DESCRIPTION                    | PAGE |
|---------|---------|--------------------------------|------|
| 6-22-2  | 714008T | 3 POLE, SIZE-0                 | 38   |
| 6-23-2  | 741010T | 3 POLE, SIZE-1                 | 38   |
| 6-24-2  | 714012T | 3 POLE, SIZE-2                 | 38   |
| 6-25-2  | 714014T | 3 POLE, SIZE-3                 | 38   |
| 6-26-2  | 714017T | 3 POLE, SIZE-4                 | 38   |
| 6-27-2  | 714016T | 3 POLE, SIZE-5                 | 39   |
| 6-28-2  | 714018T | 3 POLE, SIZE-6 & 7             | 39   |
| 6-29-2  | 714796T | 3 POLE, SIZE-8                 | N/P  |
| 6-570   | 714644T | 3 POLE, SIZE-6 & 7             | 39   |
| 6-34-2  | 714020T | 3 POLE, SIZE-2                 | 40   |
| 6-35-2  | 714022T | 3 POLE, SIZE-3                 | 40   |
| 6-36-2  | 714024T | 3 POLE, SIZE-4                 | 40   |
| 6-65-2  | 714040T | 3 POLE, SIZE-1                 | 41   |
| 6-65-4  | 714044T | 3 POLE, SIZE-G                 | 41   |
| 6-65-6  | 714048T | 3 POLE, SIZE-1 3/4, H          | 41   |
| 6-65-8  | 714044T | 3 POLE, SIZE-2, J              | 41   |
| 6-65-17 | 714044T | 3 POLE, SIZE-K                 | 41   |
| 6-43-4  | 714030T | 3 POLE, SIZE-L                 | 41   |
| 6-43-2  | 714030T | 3 POLE, SIZE-3, M              | 41   |
| 6-43-6  | 714030T | 3 POLE, SIZE-N                 | 41   |
| 6-44-2  | 714036T | 3 POLE, SIZE-4                 | 41   |
| 6-294   | 714017T | 3 POLE, SIZE-P                 | 41   |
| 6-288   | 714017T | 3 POLE, SIZE-R                 | 41   |
| 6-286   | 714017T | 3 POLE, SIZE-S                 | 41   |
| 6-621   | 714628T | 3 POLE, SIZE-T                 | N/P  |
| 6-622   | 714628T | 3 POLE, SIZE-U                 | N/P  |
| 6-45-2  | 714038T | 3 POLE, SIZE-5                 | 41   |
| 6-601   | 714624T | 3 POLE, SIZE-6, V              | N/P  |
| 6-613   | 714798T | 3 POLE, SIZE-7, W, X           | N/P  |
| 6-10-2  | 714002T | 3 POLE, SIZE-2                 | 42   |
| 6-12-2  | 714006T | 3 POLE, SIZE-3                 | 42   |
| 6-16-2  | 714006T | 3 POLE, SIZE-3                 | 42   |
| 6-14-2  | 714004T | 3 POLE, SIZE-4                 | 42   |
| 6-2-3   | 714800T | 3 POLE, SIZE-00                | N/P  |
| 6-106   | 714802T | 3 POLE, SIZE-1                 | N/P  |
| 6-3-3   | 714614T | 3 POLE, SIZE-1                 | N/P  |
| 6-113   | 714806T | 3 POLE, SIZE-2                 | N/P  |
| 6-186-2 | 714076T | SIZE 5                         | 43   |
| 6-186-5 | 714078T | SIZE5                          | 43   |
| 6-169-3 | 714074T | 1 POLE, 25/50 AMP, .750" WIDE  | 44   |
| 6-189   | 714080T | 1 POLE, 100 AMP, .750" WIDE    | 44   |
| 6-189-2 | 714082T | 1 POLE, 150 AMP, .940" WIDE    | 44   |
| 6-189-3 | 714084T | 1 POLE, 300 AMP, 1.100" WIDE   | 44   |
| 6-189-4 | 714086T | 1 POLE, 600/810 AMP, 1.5" WIDE | 44   |

P. 800-310-5999 F. 330-648-2774  
 sales@ohiocontact.com www.ohiocontact.com

This document utilizes an interactive table of contents to help you jump from one section to another. Click the button to return to the table of contents.

**RETURN TO  
TABLE OF CONTENTS**

- CITATION LINE, SERIES A1
- SERIES B1
- FREEDOM SERIES
- OLD STYLES
- DC CONTACTORS
- MISCELLANEOUS

This document utilizes an interactive table of contents to help you jump from one section to another. Click the button to return to the table of contents.

**RETURN TO  
TABLE OF CONTENTS**

- CITATION LINE, SERIES A1
- SERIES B1
- FREEDOM SERIES
- OLD STYLES
- DC CONTACTORS
- MISCELLANEOUS

| OEM No.       | OCC No. | DESCRIPTION     | PAGE |
|---------------|---------|-----------------|------|
| 740-964       | 714350T | SINGLE CONTACT  | 45   |
| 23-1316       | 714276T | SINGLE CONTACT  | 45   |
| 1323-2202     | 714564T | SINGLE CONTACT  | 45   |
| 640-29        | 714340T | SINGLE CONTACT  | 45   |
| 23-713        | 714254T | SINGLE CONTACT  | 45   |
| 23-4079       | 714312T | SINGLE CONTACT  | 45   |
| XTCE040D-065D | 715016T | 3 POLE, FRAME D | N/P  |
| XTCE085F-095F | 715018T | 3 POLE, FRAME F | N/P  |
| XTCE115G-150G | 715020T | 3 POLE, FRAME G | N/P  |
| XTCE185L-200L | 715022T | 3 POLE, FRAME L | N/P  |
| XTCE300M-570M | 715024T | 3 POLE, FRAME M | N/P  |

**N/P- NOT PICTURED**



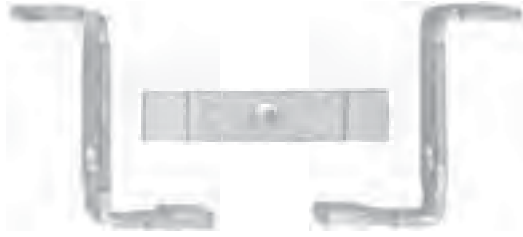


**CUTLER-HAMMER**  
CITATION LINE, SERIES A1

This document utilizes an interactive table of contents to help you jump from one section to another. Click the button to return to the table of contents.

**RETURN TO  
TABLE OF CONTENTS**

- CITATION LINE, SERIES A1
- SERIES B1
- FREEDOM SERIES
- OLD STYLES
- DC CONTACTORS
- MISCELLANEOUS



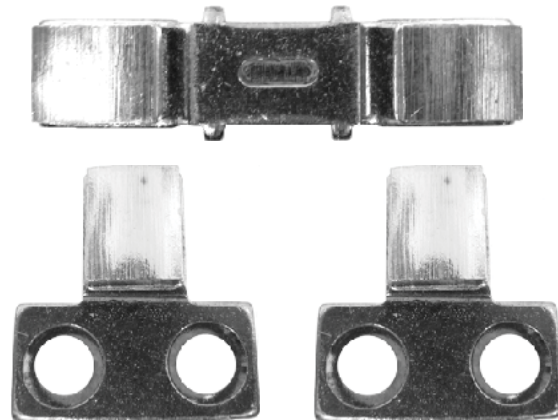
OEM No. 6-22-2  
OCC No. 714008T  
No. OF POLES: 3  
SIZE: 0



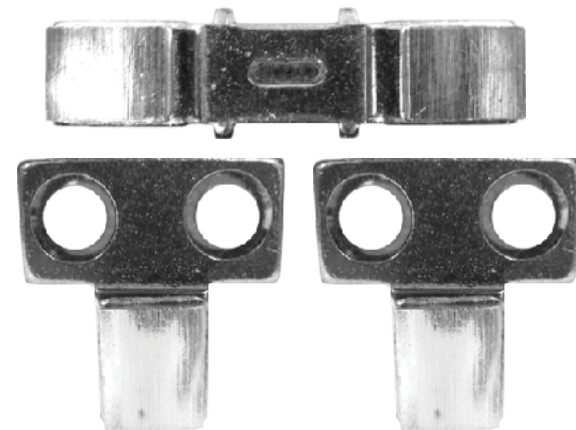
OEM No. 6-23-2  
OCC No. 741010T  
No. OF POLES: 3  
SIZE: 1



OEM No. 6-24-2  
OCC No. 714012T  
No. OF POLES: 3  
SIZE: 2



OEM No. 6-25-2  
OCC No. 714014T  
No. OF POLES: 3  
SIZE: 3



OEM No. 6-26-2  
OCC No. 714017T  
No. OF POLES  
SIZE: 4



OEM No. 6-27-2  
OCC No. 714016T  
No. OF POLES: 3  
SIZE: 5



OEM No. 6-28-2  
OCC No. 714018T  
No. OF POLES: 3  
SIZE: 6 & 7



OEM No. 6-570  
OCC No. 714644T  
No. OF POLES: 3  
SIZE: 6 & 7



This document utilizes an interactive table of contents to help you jump from one section to another. Click the button to return to the table of contents.

## RETURN TO TABLE OF CONTENTS

- CITATION LINE, SERIES A1
- SERIES B1
- FREEDOM SERIES
- OLD STYLES
- DC CONTACTORS
- MISCELLANEOUS

## CUTLER-HAMMER SERIES B1



OEM No. 6-34-2  
OCC No. 714020T  
No. OF POLES: 3  
SIZE: 2



OEM No. 6-35-2  
OCC No. 714022T  
No. OF POLES: 3  
SIZE: 3



OEM No. 6-36-2  
OCC No. 714024T  
No. OF POLES: 3  
SIZE: 4

This document utilizes an interactive table of contents to help you jump from one section to another. Click the button to return to the table of contents.

**RETURN TO  
TABLE OF CONTENTS**

- CITATION LINE, SERIES A1
- SERIES B1
- FREEDOM SERIES
- OLD STYLES
- DC CONTACTORS
- MISCELLANEOUS

**CUTLER-HAMMER  
FREEDOM SERIES**



OEM No. 6-65-2  
OCC No. 714040T  
No. OF POLES: 3  
SIZE: 1



OEM No. 6-65-4/6-65-8/6-65-17  
OCC No. 714044T  
No. OF POLES: 3  
SIZE: G, 2, J, K



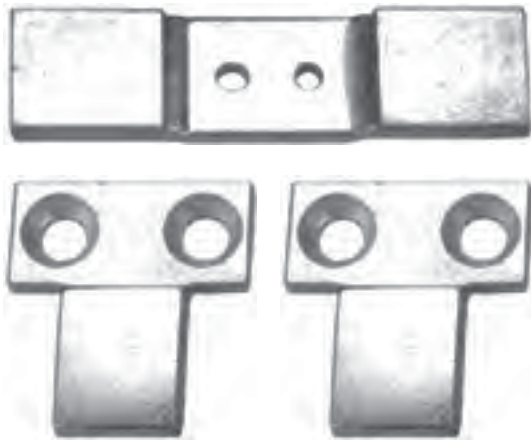
OEM No. 6-65-6  
OCC No. 714048T  
No. OF POLES: 3  
SIZE: 1 3/4, H



OEM No. 6-43-4/6-43-2/6-43-6  
OCC No. 714034T  
No. OF POLES: 3  
SIZE: L, 3, M, N



OEM No. 6-44-2  
OCC No. 714036T  
No. OF POLES: 3  
SIZE: 4



OEM No. 6-294/6-288/6-286  
OCC No. 714017T  
No. OF POLES: 3  
SIZE: P, R, S



OEM No. 6-45-2  
OCC No. 714038T  
No. OF POLES: 3  
SIZE: 5

This document utilizes an interactive table of contents to help you jump from one section to another. Click the button to return to the table of contents.

**RETURN TO  
TABLE OF CONTENTS**

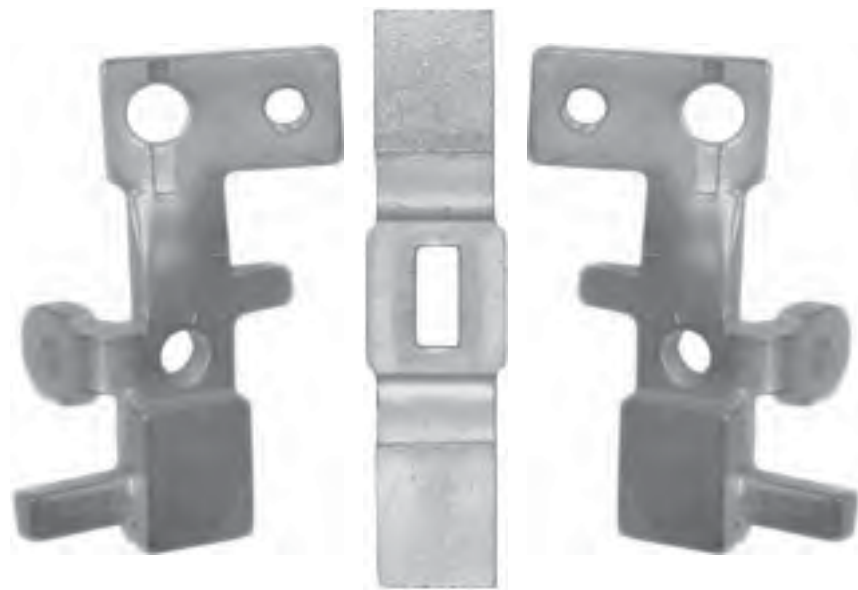
- CITATION LINE, SERIES A1
- SERIES B1
- FREEDOM SERIES
- OLD STYLES
- DC CONTACTORS
- MISCELLANEOUS



## CUTLER-HAMMER OLD STYLES

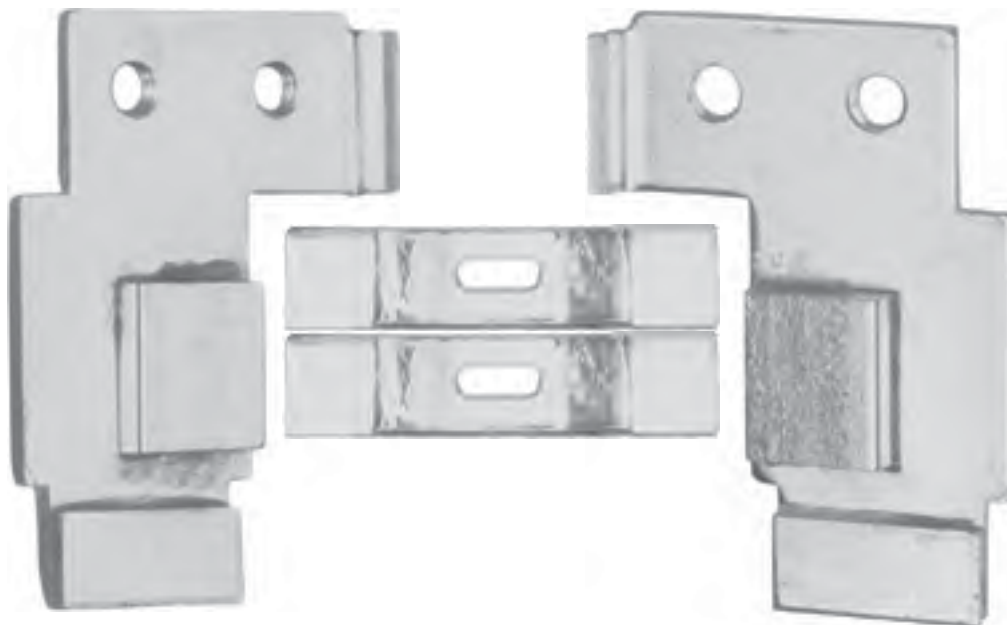


OEM No. 6-10-2  
OCC No. 714002T  
No. OF POLES: 3  
SIZE: 2



OEM No. 6-12-2/6-16-2  
OCC No. 714006T  
No. OF POLES: 3  
SIZE: 3

OEM No. 6-14-2  
OCC No. 714004T  
No. OF POLES: 3  
SIZE: 4



This document utilizes an interactive table of contents to help you jump from one section to another. Click the button to return to the table of contents.

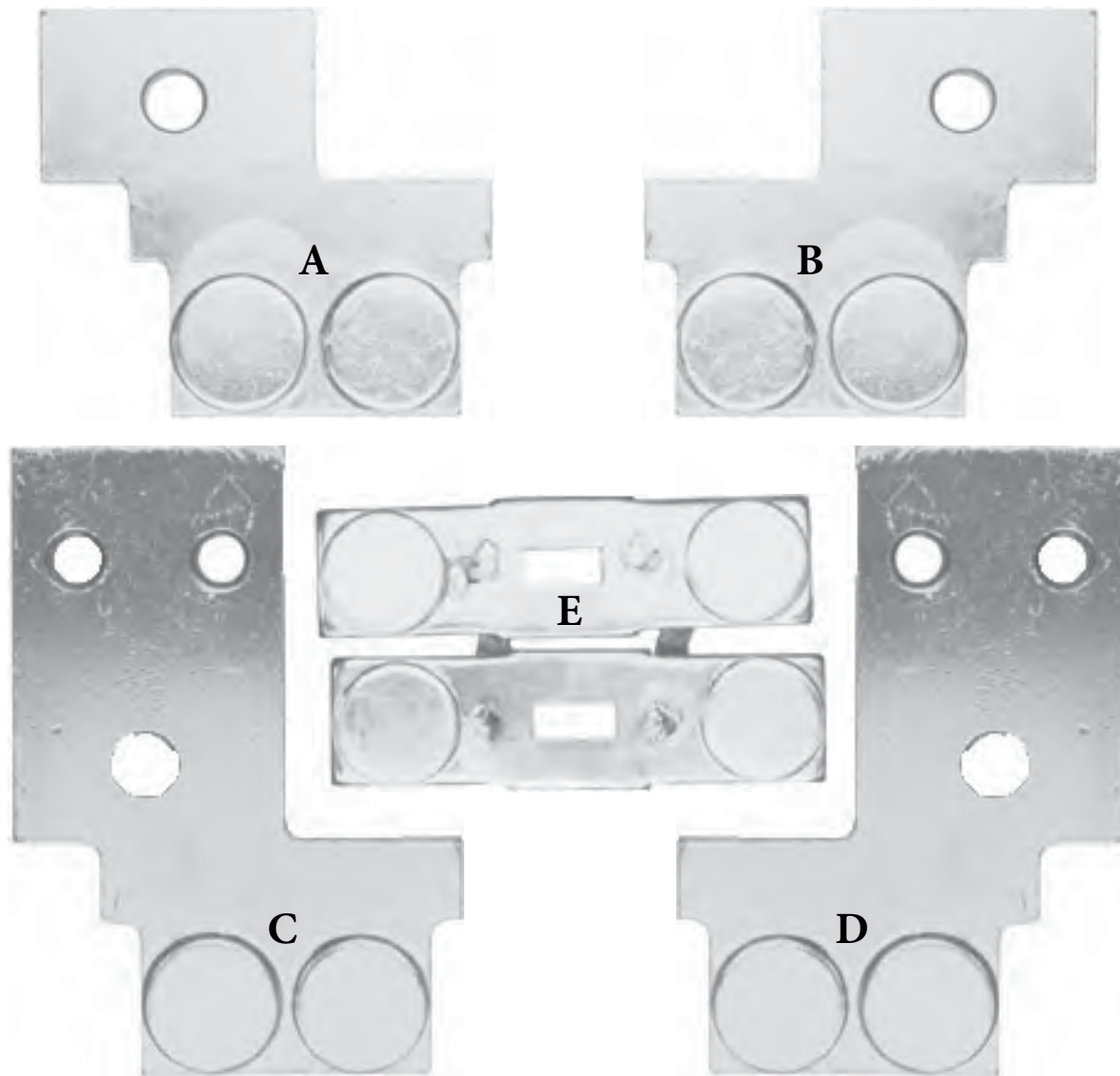
[RETURN TO  
TABLE OF CONTENTS](#)

- CITATION LINE, SERIES A1
- SERIES B1
- FREEDOM SERIES
- OLD STYLES
- DC CONTACTORS
- MISCELLANEOUS

This document utilizes an interactive table of contents to help you jump from one section to another. Click the button to return to the table of contents.

**RETURN TO  
TABLE OF CONTENTS**

- CITATION LINE, SERIES A1
- SERIES B1
- FREEDOM SERIES
- OLD STYLES
- DC CONTACTORS
- MISCELLANEOUS



OEM No. 6-186-2/6-186-5  
OCC No. 714076T/714078T  
SIZE: 5

**714076T CONSISTS OF 3: C, D, AND E**  
**714078T CONSISTS OF 3: E, 2: B & D, 1: A & C**

P. 800-310-5999 F. 330-648-2774  
sales@ohiocontact.com www.ohiocontact.com

## CUTLER-HAMMER DC CONTACTORS

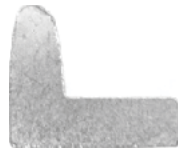
This document utilizes an interactive table of contents to help you jump from one section to another. Click the button to return to the table of contents.

**RETURN TO  
TABLE OF CONTENTS**

- CITATION LINE, SERIES A1
- SERIES B1
- FREEDOM SERIES
- OLD STYLES
- DC CONTACTORS
- MISCELLANEOUS



OEM No. 6-169-3  
OCC No. 714074T  
No. OF POLES: 1  
AMPS: 25/50  
WIDTH: .750"



OEM No. 6-189  
OCC No. 714080T  
No. OF POLES: 1  
AMPS: 100  
WIDTH: .750"



OEM No. 6-189-2  
OCC No. 714082T  
No. OF POLES: 1  
AMPS: 150  
WIDTH: .940"



OEM No. 6-189-3  
OCC No. 714084T  
No. OF POLES: 1  
AMPS: 300  
WIDTH: 1.100"

**ALL SETS CONSIST OF  
TWO CONTACTS &  
ONE SPRING**

**SINGLE CONTACTS ALSO  
AVAILABLE**



OEM No. 6-189-4  
OCC No. 714086T  
No. OF POLES: 1  
AMPS: 600/810  
WIDTH: 1.500"

## CUTLER-HAMMER MISCELLANEOUS



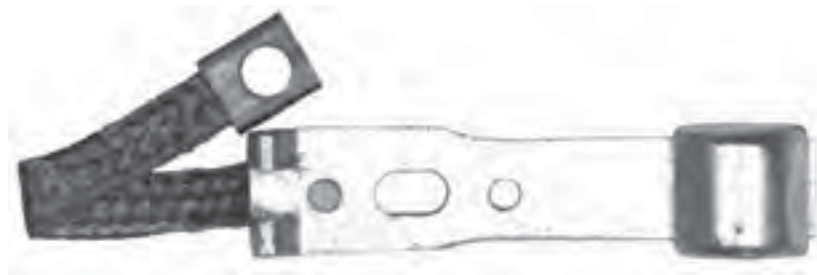
OEM No. 740-964  
OCC No. 714350T  
SINGLE CONTACT



OEM No. 23-1316  
OCC No. 714276T  
SINGLE CONTACT



OEM No. 1323-2202  
OCC No. 714564T  
SINGLE CONTACT



OEM No. 640-29  
OCC No. 714340T  
SINGLE CONTACT



OEM No. 23-713  
OCC No. 714254T  
SINGLE CONTACT



OEM No. 23-4079  
OCC No. 714312T  
SINGLE CONTACT

P. 800-310-5999 F. 330-648-2774  
sales@ohiocontact.com www.ohiocontact.com

This document utilizes an interactive table of contents to help you jump from one section to another. Click the button to return to the table of contents.

**RETURN TO  
TABLE OF CONTENTS**

- CITATION LINE, SERIES A1
- SERIES B1
- FREEDOM SERIES
- OLD STYLES
- DC CONTACTORS
- MISCELLANEOUS

## FUJI TABLE OF CONTENTS

| OEM No.  | OCC No. | DESCRIPTION                                    | PAGE |
|----------|---------|--|------|
| 4NC0A-CK | 716026T | 3 POLE, SIZE- 00+, DEVICE 4NC0A0/SC-03, 11 AMP | 48   |
| 4NC0G-CK | 716028T | 3 POLE, SIZE- 0, DEVICE 4NC0G0/SC-05, 13 AMP   | 48   |
| 4NC0Q-CK | 716032T | 3 POLE, SIZE- 0, DEVICE 4NC0Q0/SC-4-0, 20 AMP  | 48   |
| 4NC0H-CK | 716030T | 3 POLE, SIZE- 0+, DEVICE 4NC0H0/SC-5-2, 20 AMP | 48   |
| 2NC0T-CK | 716002T | 3 POLE, SIZE- 0+, DEVICE 2NC0T0/SC-1N, 26 AMP  | 48   |
| 2NC1Q-CK | 716004T | 3 POLE, SIZE- 1+, DEVICE 2NC1Q0/SC-2N, 35 AMP  | 48   |
| 2NC2F-CK | 716006T | 3 POLE, SIZE- 2, DEVICE 2NC2F0/SC-2SN, 50 AMP  | 48   |
| 2NC2H-CK | 716008T | 3 POLE, SIZE- 2+, DEVICE 2NC2H0/SC-3N, 70 AMP  | 49   |
| 2NC2T-CK | 716010T | 3 POLE, SIZE- 2+, DEVICE 2NC2T0/SC-4N, 90 AMP  | 49   |
| 2NC3F-CK | 716012T | 3 POLE, SIZE- 3, DEVICE 2NC3F0/SC-5N, 100 AMP  | 49   |
| 2NC3H-CK | 716014T | 3 POLE, SIZE- 3+, DEVICE 2NC3H0/SC-6N, 125 AMP | 49   |

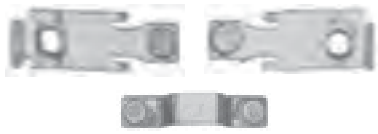
This document utilizes an interactive table of contents to help you jump from one section to another. Click the button to return to the table of contents.

**RETURN TO  
TABLE OF CONTENTS**





## FUJI



OEM No. 4NC0A-CK  
OCC No. 716026T  
DEVICE No. 4NC0A0/SC-03  
No. OF POLES: 3  
SIZE: 00+  
AMPS: 11



OEM No. 4NC0G-CK  
OCC No. 716028T  
DEVICE No. 4NC0G0/SC-05  
No. OF POLES: 3  
SIZE: 0  
AMPS: 13



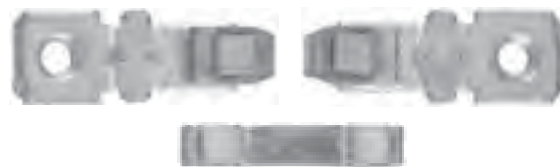
OEM No. 4NC0Q-CK  
OCC No. 716032T  
DEVICE No. 4NC0Q0/SC-4-0  
No. OF POLES: 3  
SIZE: 0  
AMPS: 20



OEM No. 4NC0H-CK  
OCC No. 716030T  
DEVICE No. 4NC0H0/SC-5-1  
No. OF POLES: 3  
SIZE: 0+  
AMPS: 20



OEM No. 2NC0T-CK  
OCC No. 716002T  
DEVICE No. 2NC0T0/SC-1N  
No. OF POLES: 3  
SIZE: 0+  
AMPS: 26



OEM No. 2NC1Q-CK  
OCC No. 716004T  
DEVICE No. 2NC1Q0/SC-2N  
No. OF POLES: 3  
SIZE: 1+  
AMPS: 35



OEM No. 2NC2F-CK  
OCC No. 716006T  
DEVICE No. 2NC2F0/SC-2SN  
No. OF POLES: 3  
SIZE: 2  
AMPS: 50

This document utilizes an interactive table of contents to help you jump from one section to another. Click the button to return to the table of contents.

[RETURN TO  
TABLE OF CONTENTS](#)

This document utilizes an interactive table of contents to help you jump from one section to another. Click the button to return to the table of contents.



OEM No. 2NC2H-CK  
OCC No. 716008T  
DEVICE No. 2NC2H0/SC-3N  
No. OF POLES: 3  
SIZE: 2+  
AMPS: 70



OEM No. 2NC2T-CK  
OCC No. 716010T  
DEVICE No. 2NC2T0/SC-4N  
No. OF POLES: 3  
SIZE: 2+  
AMPS: 90



OEM No. 2NC3F-CK  
OCC No. 716012T  
DEVICE No. 2NC3F0/SC-5N  
No. OF POLES: 3  
SIZE: 3  
AMPS: 100



OEM No. 2NC3H-CK  
OCC No. 716014T  
DEVICE No. 2NC3H0/SC-6N  
No. OF POLES: 3  
SIZE: 3+  
AMPS: 125

[RETURN TO  
TABLE OF CONTENTS](#)

## FURNAS TABLE OF CONTENTS

| OEM No.    | OCC No. | DESCRIPTION   | PAGE |
|------------|---------|---|------|
| 75BE42     | 718002T | 1 POLE, 30 AMP                                      | 52   |
| 75CE42     | 718004T | 1 POLE, 40 AMP                                      | 52   |
| 75DE42     | 718022T | 1 POLE, 50 AMP                                      | 52   |
| 75EE42     | 718028T | 1 POLE, 60 AMP                                      | 52   |
| 75FE42     | 718034T | 1 POLE, 75 AMP                                      | 52   |
| 75GE42     | 718042T | 1 POLE, 90 AMP                                      | 52   |
| 75CA14     | 718070T | 1 POLE, SIZE- 0, STARTER 14, 40CA                   | 53   |
| 75DA14     | 718070T | 1 POLE, SIZE- 1, 1 1/2, STARTER 14, 40DA            | 53   |
| 75EA14     | 718026T | 1 POLE, SIZE- 1 3/4, STARTER 14, 40EA               | 53   |
| 75FB14A    | 714032T | 1 POLE, SIZE- 2, STARTER 14, 40, 22FB               | 53   |
| 75GB14     | 714032T | 1 POLE, SIZE- 2 1/2, STARTER 14, 40, 22GB           | 53   |
| 75HB14     | 718048T | 1 POLE, SIZE- 3, STARTER 14, 40, 22HB               | 53   |
| 75IB14     | 718052T | 1 POLE, SIZE- 3 1/2, STARTER 14, 40, 22IB           | 53   |
| 75JB14     | 718052T | 1 POLE, SIZE- 4, STARTER 14, 40, 22IB               | 53   |
| 75RB14     | 718062T | 1 POLE, SIZE- 4 1/2, STARTER 14, 40, 22RB/RF/RS     | 54   |
| 75KB14     | 718060T | 1 POLE, SIZE- 5, STARTER 14, 40, 22KB/KF/KS         | 54   |
| 75MB14     | 718068T | 1 POLE, SIZE- 6, STARTER 14, 40, 22MB/MF            | 54   |
| 75DF14     | 718024T | 1 POLE, SIZE- 1, STARTER 14, 40, 22DF/DP/DS         | 55   |
| 75EF14     | 718030T | 1 POLE, SIZE- 1P, 1 3/4, STARTER 14, 40, 22EF/EP/ES | 55   |
| 75FF14     | 718036T | 1 POLE, SIZE- 2, STARTER 14, 40, 22FF               | 55   |
| 75GF14     | 718044T | 1 POLE, SIZE- 2 1/2, STARTER 14, 40, 22GF           | 55   |
| 75HF14     | 718050T | 1 POLE, SIZE- 3, STARTER 14, 40, 22HF/HP/HS         | 55   |
| 75IF14     | 718054T | 1 POLE, SIZE- 3 1/2, STARTER 14, 40, 22IF/IP/IS     | 55   |
| 75JG14     | 718058T | 1 POLE, SIZE- 4, STARTER 14, 40, 22JT/JG            | 55   |
| 75BF14     | 718064T | 1 POLE, SIZE- 00, STARTER 14, 40, 22BF              | N/P  |
| 75CF14     | 718064T | 1 POLE, SIZE- 0, STARTER 14, 40, 22CF/CP/CS         | N/P  |
| 75FP14     | 718038T | 1 POLE, SIZE- 2, STARTER 14, 40, 22FP/FS            | 56   |
| 75GP14     | 718046T | 1 POLE, SIZE- 2 1/2, STARTER 14, 40, 22GP/GS        | 56   |
| 75FF15     | 718072T | 1 POLE, SIZE- F, STARTER 15, 21FF                   | 56   |
| 75GF15     | 718072T | 1 POLE, SIZE- G, STARTER 15, 21GF                   | 56   |
| 75HF15     | 718112T | 1 POLE, SIZE- H, STARTER 15, 21HF                   | 56   |
| 75FP109153 | 718126T | 1 POLE, SIZE- 2, STARTER DOVER SPECIAL              | N/P  |

**N/P- NOT PICTURED**

This document utilizes an interactive table of contents to help you jump from one section to another. Click the button to return to the table of contents.

**RETURN TO  
TABLE OF CONTENTS**

- OLD STYLE
- VERTICAL LIFT CONTACTORS
- INNOVA 45 SERIES
- INNOVA PLUS SERIES





**FURNAS**  
**OLD STYLE**



OEM No. 75BE42  
OCC No. 718002T  
No. OF POLES: 1  
AMPS: 30



OEM No. 75CE42  
OCC No. 718004T  
No. OF POLES: 1  
AMPS: 40



OEM No. 75DE42  
OCC No. 718022T  
No. OF POLES: 1  
AMPS: 50



OEM No. 75EE42  
OCC No. 718028T  
No. OF POLES: 1  
AMPS: 60



OEM No. 75FE42  
OCC No. 718034T  
No. OF POLES: 1  
AMPS: 75



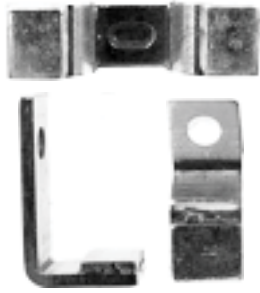
OEM No. 75GE42  
OCC No. 718042T  
No. OF POLES: 1  
AMPS: 90

This document utilizes an interactive table of contents to help you jump from one section to another. Click the button to return to the table of contents.

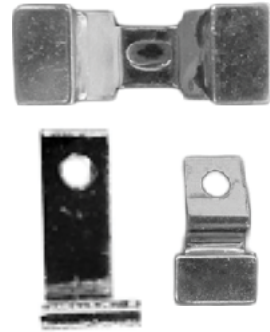
**RETURN TO  
TABLE OF CONTENTS**

- OLD STYLE
- VERTICAL LIFT CONTACTORS
- INNOVA 45 SERIES
- INNOVA PLUS SERIES

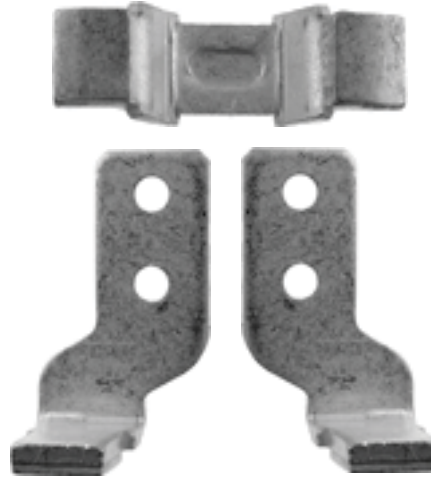
**FURNAS**  
**VERTICAL LIFT CONTACTORS**



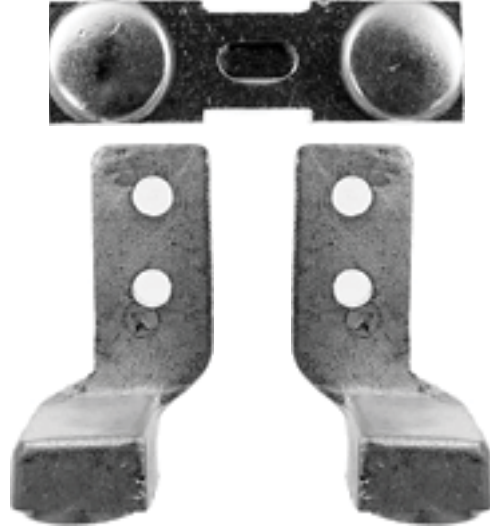
OEM No. 75CA14/ 75DA14  
OCC No. 718070T  
No. OF POLES: 1  
STARTER No. 14, 40CA/DA  
SIZE: 0, 1, 1 1/2



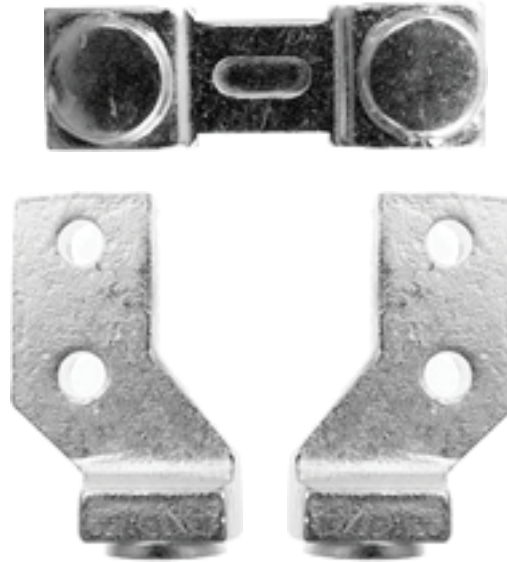
OEM No. 75EA14  
OCC No. 718026T  
No. OF POLES: 1  
STARTER No. 14, 40EA  
SIZE: 1 3/4



OEM No. 75FB14A/ 75GB14  
OCC No. 714032T  
No. OF POLES: 1  
STARTER No. 14, 40, 22FB/GB  
SIZE: 2, 2 1/2



OEM No. 75HB14  
OCC No. 718048T  
No. OF POLES: 1  
STARTER No. 14, 40, 22HB  
SIZE: 3



OEM No. 75IB14/ 75JB14  
OCC No. 718052T  
No. OF POLES: 1  
STARTER No. 14, 40, 22IB/JB  
SIZE: 3 1/2, 4

This document utilizes an interactive table of contents to help you jump from one section to another. Click the button to return to the table of contents.

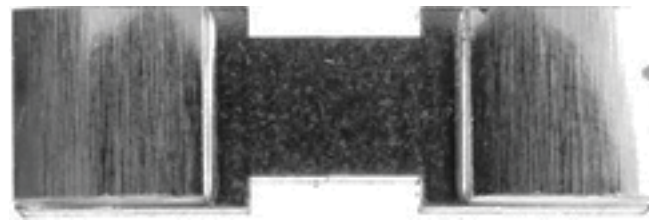
**RETURN TO  
TABLE OF CONTENTS**

- OLD STYLE
- VERTICAL LIFT CONTACTORS
- INNOVA 45 SERIES
- INNOVA PLUS SERIES

This document utilizes an interactive table of contents to help you jump from one section to another. Click the button to return to the table of contents.

**RETURN TO  
TABLE OF CONTENTS**

- OLD STYLE
- VERTICAL LIFT CONTACTORS
- INNOVA 45 SERIES
- INNOVA PLUS SERIES



OEM No. 75RB14  
OCC No. 718062T  
No. OF POLES: 1  
STARTER No. 14, 40, 22RB, RF, RS  
SIZE: 4 1/2

OEM No. 75KB14  
OCC No. 718060T  
No. OF POLES: 1  
STARTER No. 14, 40, 22KB, KF, KS  
SIZE: 5



OEM No. 75MB14  
OCC No. 718068T  
No. OF POLES: 1  
STARTER No. 14, 40, 22MB, MF  
SIZE: 6

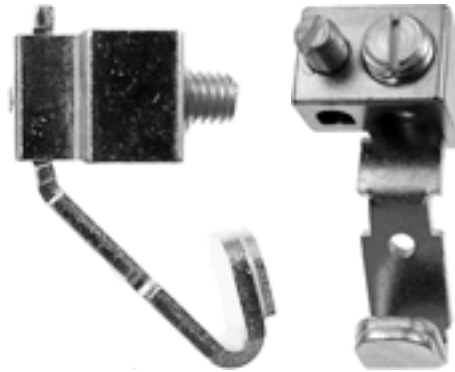
**FURNAS**  
**INNOVA 45 SERIES**



OEM No. 75DF14  
OCC No. 718024T  
No. OF POLES: 1  
STARTER No. 14, 40, 22DF, DP, DS  
SIZE: 1



OEM No. 75EF14  
OCC No. 718030T  
No. OF POLES: 1  
STARTER No. 14, 40, 22EF, EP, ES  
SIZE: 1P, 1 3/4



OEM No. 75FF14  
OCC No. 718036T  
No. OF POLES: 1  
STARTER No. 14, 40, 22FF  
SIZE: 2



OEM No. 75HF14  
OCC No. 718050T  
No. OF POLES: 1  
STARTER No. 14, 40, 22HF, HP, HS  
SIZE: 3



OEM No. 75IF14  
OCC No. 718054T  
No. OF POLES: 1  
STARTER No. 14, 40, 22IF, IP, IS  
SIZE: 3 1/2

OEM No. 75GF14  
OCC No. 718044T  
No. OF POLES: 1  
STARTER No. 14, 40, 22GF  
SIZE: 2 1/2



OEM No. 75JG14  
OCC No. 718058T  
No. OF POLES: 1  
STARTER No. 14, 40, 22JT, JG  
SIZE: 4

This document utilizes an interactive table of contents to help you jump from one section to another. Click the button to return to the table of contents.

**RETURN TO  
TABLE OF CONTENTS**

- OLD STYLE
- VERTICAL LIFT CONTACTORS
- INNOVA 45 SERIES
- INNOVA PLUS SERIES



**FURNAS**  
**INNOVA PLUS SERIES**



OEM No. 75FP14  
OCC No. 718038T  
No. OF POLES: 1  
STARTER No. 14, 40, 22FP, FS  
SIZE: 2



OEM No. 75GP14  
OCC No. 718046T  
No. OF POLES: 1  
STARTER No. 14, 40, 22GP, GS  
SIZE: 2 1/2

**FURNAS**  
**IEC**



OEM No. 75FF15/ 75GF15  
OCC No. 718072T  
No. OF POLES: 1  
STARTER No. 15, 21FF/GF  
SIZE: F/G



OEM No. 75HF15  
OCC No. 718112T  
No. OF POLES: 1  
STARTER No. 15, 21HF  
SIZE: H

This document utilizes an interactive table of contents to help you jump from one section to another. Click the button to return to the table of contents.

**RETURN TO  
TABLE OF CONTENTS**

- OLD STYLE
- VERTICAL LIFT CONTACTORS
- INNOVA 45 SERIES
- INNOVA PLUS SERIES



## GENERAL ELECTRIC TABLE OF CONTENTS

| OEM No.         | OCC No. | DESCRIPTION                           | PAGE |
|-----------------|---------|---------------------------------------|------|
| 546A300G2       | 721436T | 4 POLE, SIZE- 0                       | 60   |
| 546A301G2/G53   | 721437T | 4 POLE, SIZE- 1                       | 60   |
| 546A780G2/G51   | 721440T | 3 POLE, SIZE- 2                       | 60   |
| 55-153677G2     | 721510T | 3 POLE, SIZE- 3                       | 60   |
| 55-153678G2     | 721512T | 3 POLE, SIZE- 4                       | 60   |
| 55-154607G2/G41 | 721514T | 3 POLE, SIZE- 5                       | 60   |
| 232A6724G6/G9   | 721410T | 3 POLE, SIZE- 6                       | 61   |
| 232A672410      | 721414T | 3 POLE, SIZE- 7                       | 61   |
| 232A6724G5      | 721578T | 3 POLE, SIZE- 5                       | N/P  |
| 55-186556G4     | 721518T | 3 POLE, SIZE- 6                       | N/P  |
| 101X100         | 721344T | 4 POLE, SIZE- 00                      | 62   |
| 101X110         | 721346T | 4 POLE, SIZE- 0                       | 62   |
| 101X111         | 721348T | 4 POLE, SIZE- 1                       | 62   |
| 101X112         | 721350T | 3 POLE, SIZE- 2                       | 62   |
| 101X113         | 721352T | 3 POLE, SIZE- 3                       | 62   |
| 6960067G1       | 721536T | 3 POLE, SIZE- 4                       | 62   |
| 6960049G1       | 721532T | 3 POLE, SIZE- 5                       | 62   |
| 138A1125G1      | 720034T | SINGLE CONTACT, 400 AMP               | 63   |
| 167A8898G1      | 720568T | SINGLE CONTACT, 200/400 AMP           | 63   |
| 167A9956G1      | 720570T | SINGLE CONTACT, 400 AMP               | 63   |
| 245A1229G1      | 720700T | SINGLE CONTACT, 700 AMP               | 63   |
| CR7XDG          | 721338T | 3 POLE, 37 AMP                        | 63   |
| CR7XDH          | 721338T | 3 POLE, 45 AMP                        | 63   |
| CR7XDJ          | 721342T | 3 POLE, 56 AMP                        | 63   |
| CR7XDK          | 721342T | 3 POLE, 73 AMP                        | 63   |
| CA5F2CPR1       | 721327T | 3 POLE, 105 AMP                       | 63   |
| CA5F3CPR1       | 721618T | 3 POLE, 140 AMP                       | 63   |
| DS303A1/A2      | 721542T | SINGLE CONTACT, SIZE- 1/2, MOVABLE    | 64   |
| DS303A1/A2      | 721548T | SINGLE CONTACT, SIZE- 1/2, STATIONARY | 64   |
| DS303A3         | 721546T | SINGLE CONTACT, SIZE- 3, MOVABLE      | 64   |
| DS303A3         | 721548T | SINGLE CONTACT, SIZE- 3, STATIONARY   | 64   |
| DS303A4/A5      | 721550T | SINGLE CONTACT, SIZE- 4/5, MOVABLE    | 64   |
| DS303A4/A5      | 721552T | SINGLE CONTACT, SIZE- 4/5, STATIONARY | 64   |
| DS303A6/A7      | 721554T | SINGLE CONTACT, SIZE- 6/7, MOVABLE    | 64   |
| DS303A6/A7      | 721556T | SINGLE CONTACT, SIZE- 6/7, STATIONARY | 64   |
| VB1205B         | 720364T | 4 POLE, DEVICE CL05                   | 65   |
| V31206B         | 721620T | 3 POLE, DEVICE CL06                   | 65   |
| V31207B         | 721620T | 3 POLE, DEVICE CL07                   | 65   |
| VB1207B         | 721364T | 4 POLE, DEVICE CL07                   | 65   |
| V31208B         | 721620T | 3 POLE, DEVICE CL08                   | 65   |
| VB1208B         | 721364T | 4 POLE, DEVICE CL08                   | 65   |
| V31209B         | 721626T | 3 POLE, DEVICE CL09                   | 65   |
| V31210B         | 721628T | 3 POLE, DEVICE CL10                   | 65   |
| V31175CA        | 721630T | 3 POLE, DEVICE CK75                   | 65   |

This document utilizes an interactive table of contents to help you jump from one section to another. Click the button to return to the table of contents.

**RETURN TO  
TABLE OF CONTENTS**

- 100, 200, 300--LINE
- CR7006 SERIES
- MEDIUM VOLTAGE 5KV SERIES
- DS303 DC CONTACTORS
- C2000 SERIES
- IC2800 CONTACTORS
- CR2800 CONTACTORS
- CR2810 CONTACTORS
- NAVY CONTROL IC5181

This document utilizes an interactive table of contents to help you jump from one section to another. Click the button to return to the table of contents.

**RETURN TO  
TABLE OF CONTENTS**

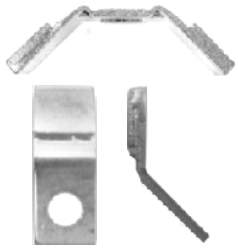
- 100, 200, 300--LINE
- CR7006 SERIES
- MEDIUM VOLTAGE 5KV SERIES
- DS303 DC CONTACTORS
- C2000 SERIES
- IC2800 CONTACTORS
- CR2800 CONTACTORS
- CR2810 CONTACTORS
- NAVY CONTROL IC5181

| OEM No.                       | OCC No.       | DESCRIPTION                           | PAGE |
|-------------------------------|---------------|---------------------------------------|------|
| CR2800-1607 THRU 1609         | 721648T       | 1 POLE, SW: .500", MW: .375"          | 66   |
| CR2800-1612 THRU 1619         | 721686T       | 1 POLE, .500" WIDE                    | 66   |
| CR2800-1620 THRU 1625         | CR2800162025R | 1 POLE, .750" WIDE                    | 66   |
| CR2800-Y100, 1170             | 721566T       | 1 POLE, .750" WIDE                    | 66   |
| CR2800-Y106, 1175             | 721862T       | 1 POLE, SW: 1.200", MW: 1.0"          | 67   |
| CR2800-1176                   | 721864T       | 1 POLE, 1.500" WIDE                   | 67   |
| CR2800-Y103                   | 721866T       | 1 POLE, SW: 1.200", MW: 1.500"        | 67   |
| CR2800-Y103, Y104, 1176, 1177 | 721868T       | 1 POLE, SW: 1.750", MW: 1.500"        | 68   |
| CR2800-1174, 1175             | 721870T       | 1 POLE, 1.0" WIDE                     | 68   |
| CR2800-Y102, 1174             | 721568T       | 1 POLE, 1.0" WIDE                     | 68   |
| CR2800-Y101, Y105, 1172, 1173 | 721564T       | 1 POLE, .750" WIDE                    | 69   |
| CR2800-1178                   | 721872T       | 1 POLE, 1.500" WIDE                   | 69   |
| CR2800-, CR2810- VARIOUS      | 721874T       | 1 POLE, 1.0" WIDE                     | 69   |
| CR2810-1572 THRU 1575         | 721876T       | 1 POLE, 1.500" WIDE                   | 70   |
| CR2810- 1852 THRU 1865        | 721878T       | 1 POLE, .750" WIDE                    | 70   |
| CR2810-1823 THRU 1825         | 721880T       | 1 POLE, .500" WIDE                    | 70   |
| 174A7609G1                    | 721586T       | MOVABLE, SIZE-0, DEVICE IC5181C100    | 71   |
| 174A7610G1                    | 721588T       | STATIONARY, SIZE-0, DEVICE IC5181C100 | 71   |
| 174A7611G1                    | 721590T       | MOVABLE, SIZE-1, DEVICE IC5181C101    | 71   |
| 174A7613G1                    | 721592T       | STATIONARY, SIZE-1, DEVICE IC5181C101 | 71   |
| 174A7153G1                    | 721594T       | MOVABLE, SIZE-2, DEVICE IC5181C102    | 71   |
| 174A7154G1                    | 721596T       | STATIONARY, SIZE-2, DEVICE IC5181C102 | 71   |
| 174A7636G1                    | 721598T       | MOVABLE, SIZE-3, DEVICE IC5181C103    | 71   |
| 174A7638G1                    | 721600T       | STATIONARY, SIZE-3, DEVICE IC5181C103 | 71   |
| 174A5315G1                    | 721602T       | MOVABLE, SIZE-4, DEVICE IC5181C104    | 71   |
| 174A5316G1                    | 721604T       | STATIONARY, SIZE-4, DEVICE IC5181C104 | 71   |
| 188A4581G1                    | 721606T       | MOVABLE, SIZE-5, DEVICE IC5181C105    | 71   |
| 188A4583G1                    | 721608T       | STATIONARY, SIZE-5, DEVICE IC5181C105 | 71   |

**N/P- NOT PICTURED**



**GENERAL ELECTRIC**  
**100, 200, 300-LINE**



OEM No. 546A300G2  
 OCC No. 721436T  
 No. OF POLES: 4  
 SIZE: 0



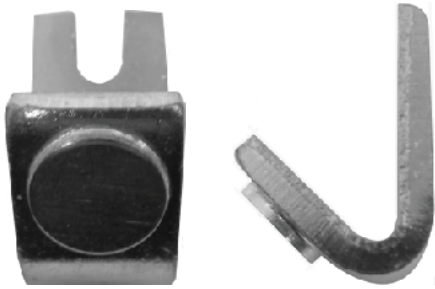
OEM No. 546A301G2/G53  
 OCC No. 721437T  
 No. OF POLES: 4  
 SIZE: 1



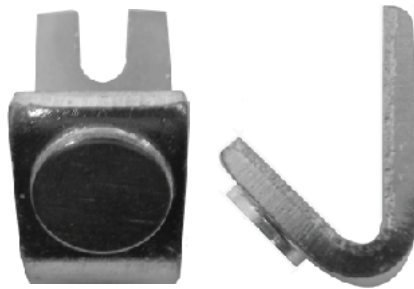
OEM No. 546A780G2/G51  
 OCC No. 721440T  
 No OF POLES: 3  
 SIZE: 2



OEM No. 55-153677G2  
 OCC No. 721510T  
 No. OF POLES: 3  
 SIZE: 3



OEM No. 55-153678G2  
 OCC No. 721512T  
 No. OF POLES: 3  
 SIZE: 4



OEM No. 55-154607G2/G41  
 OCC No. 721514T  
 No. OF POLES: 3  
 SIZE: 5



This document utilizes an interactive table of contents to help you jump from one section to another. Click the button to return to the table of contents.

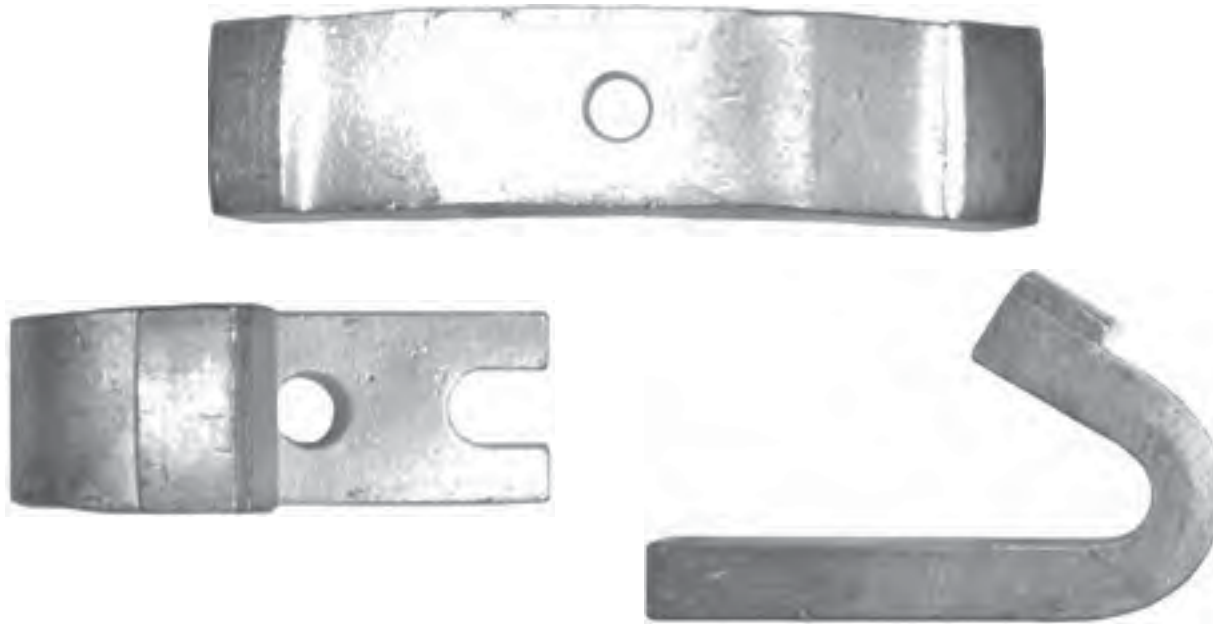
**RETURN TO  
 TABLE OF CONTENTS**

- 100, 200, 300--LINE
- CR7006 SERIES
- MEDIUM VOLTAGE 5KV SERIES
- DS303 DC CONTACTORS
- C2000 SERIES
- IC2800 CONTACTORS
- CR2800 CONTACTORS
- CR2810 CONTACTORS
- NAVY CONTROL IC5181

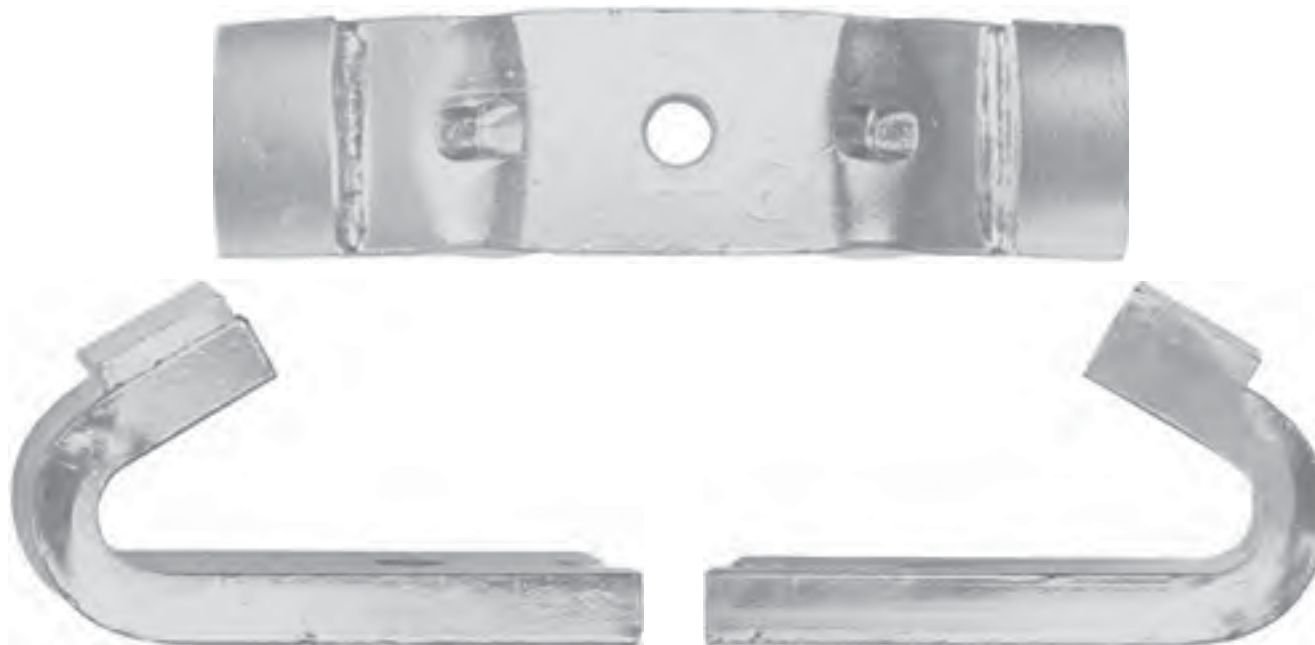
This document utilizes an interactive table of contents to help you jump from one section to another. Click the button to return to the table of contents.

**RETURN TO  
TABLE OF CONTENTS**

- 100, 200, 300--LINE
- CR7006 SERIES
- MEDIUM VOLTAGE 5KV SERIES
- DS303 DC CONTACTORS
- C2000 SERIES
- IC2800 CONTACTORS
- CR2800 CONTACTORS
- CR2810 CONTACTORS
- NAVY CONTROL IC5181



OEM No. 232A6724G6/G9  
OCC No. 721410T  
No. OF POLES: 3  
SIZE: 6



OEM No. 232A672410  
OCC No. 721414T  
No. OF POLES: 3  
SIZE: 7

P. 800-310-5999 F. 330-648-2774  
sales@ohiocontact.com www.ohiocontact.com



**GENERAL ELECTRIC**  
**CR7006 SERIES**



OEM No. 101X100  
 OCC No. 721344T  
 No. OF POLES: 4  
 SIZE: 00



OEM No. 101X110  
 OCC No. 721346T  
 No. OF POLES: 4  
 SIZE: 0



OEM No. 101X111  
 OCC No. 721348T  
 No. OF POLES: 4  
 SIZE: 1



OEM No. 101X112  
 OCC No. 721350T  
 No. OF POLES: 3  
 SIZE: 2



OEM No. 101X113  
 OCC No. 721352T  
 No. OF POLES: 3  
 SIZE: 3



1" WIDE

OEM No. 6960049G1  
 OCC No. 721532T  
 No. OF POLES: 3  
 SIZE: 5



OEM No. 6960067G1  
 OCC No. 721536T  
 No. OF POLES: 3  
 SIZE: 4



This document utilizes an interactive table of contents to help you jump from one section to another. Click the button to return to the table of contents.

**RETURN TO  
 TABLE OF CONTENTS**

- 100, 200, 300--LINE
- CR7006 SERIES
- MEDIUM VOLTAGE 5KV SERIES
- DS303 DC CONTACTORS
- C2000 SERIES
- IC2800 CONTACTORS
- CR2800 CONTACTORS
- CR2810 CONTACTORS
- NAVY CONTROL IC5181

**GENERAL ELECTRIC**  
**MEDIUM VOLTAGE 5KV SERIES**



OEM No. 167A8898G1  
 OCC No. 720568T  
 SINGLE CONTACT  
 AMPS: 200 / 400



OEM No. 138A1125G1  
 OCC No. 720034T  
 SINGLE CONTACT  
 AMPS: 400



OEM No. 1679956G1  
 OCC No. 720570T  
 SINGLE CONTACT  
 AMPS: 400



OEM No. 245A1229G1  
 OCC No. 720700T  
 SINGLE CONTACT  
 AMPS: 700

**GENERAL ELECTRIC**  
**IEC SPECTRA 700 SERIES**



OEM No. CR7XDG/ CR7XDH  
 OCC No. 721338T  
 No. OF POLES: 3  
 AMPS: 37/45



OEM No. CR7XDJ/ CR7XDK  
 OCC No. 721342T  
 No. OF POLES: 3  
 AMPS: 56/73



OEM No. CA5F2CPR1  
 OCC No. 721327T  
 No. OF POLES: 3  
 AMPS: 105



OEM No. CA5F3CPR1  
 OCC No. 721618T  
 No. OF POLES: 3  
 AMPS: 140

P. 800-310-5999 F. 330-648-2774  
 sales@ohiocontact.com www.ohiocontact.com

This document utilizes an interactive table of contents to help you jump from one section to another. Click the button to return to the table of contents.

**RETURN TO  
 TABLE OF CONTENTS**

- 100, 200, 300--LINE
- CR7006 SERIES
- MEDIUM VOLTAGE 5KV SERIES
- DS303 DC CONTACTORS
- C2000 SERIES
- IC2800 CONTACTORS
- CR2800 CONTACTORS
- CR2810 CONTACTORS
- NAVY CONTROL IC5181

**GENERAL ELECTRIC**  
**DS303 DC CONTACTORS**



OEM No. DS303A1/A2  
OCC No. 721542T  
SINGLE CONTACT  
SIZE: 1, 2  
MOVABLE



OEM No. DS303A1/A2  
OCC No. 721548T  
SINGLE CONTACT  
SIZE: 1, 2  
STATIONARY



OEM No. DS303A3  
OCC No. 721546T  
SINGLE CONTACT  
SIZE: 3  
MOVABLE



OEM No. DS303A3  
OCC No. 721548T  
SINGLE CONTACT  
SIZE: 3  
STATIONARY



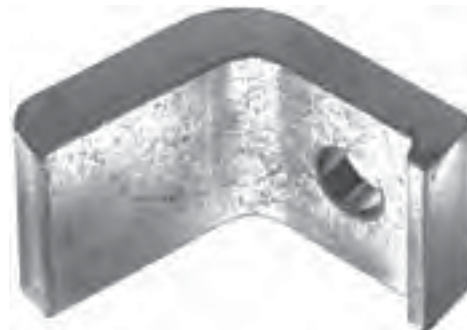
OEM No. DS303A4/A5  
OCC No. 721550T  
SINGLE CONTACT  
SIZE: 4, 5  
MOVABLE



OEM No. DS303A4/A5  
OCC No. 721552T  
SINGLE CONTACT  
SIZE: 4, 5  
STATIONARY



OEM No. DS303A6/A7  
OCC No. 721554T  
SINGLE CONTACT  
SIZE: 6, 7  
MOVABLE



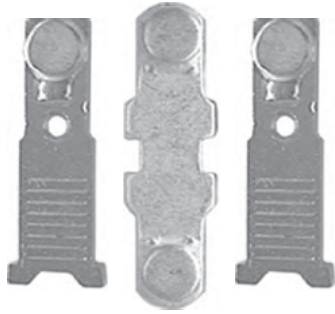
OEM No. DS303A6/A7  
OCC No. 721556T  
SINGLE CONTACT  
SIZE: 6, 7  
STATIONARY

This document utilizes an interactive table of contents to help you jump from one section to another. Click the button to return to the table of contents.

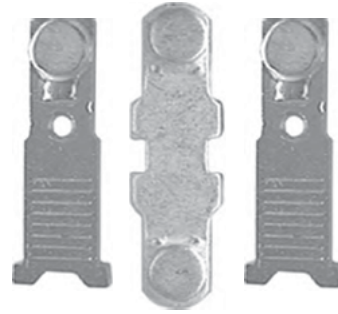
**RETURN TO  
TABLE OF CONTENTS**

- 100, 200, 300--LINE
- CR7006 SERIES
- MEDIUM VOLTAGE 5KV SERIES
- DS303 DC CONTACTORS
- C2000 SERIES
- IC2800 CONTACTORS
- CR2800 CONTACTORS
- CR2810 CONTACTORS
- NAVY CONTROL IC5181

**GENERAL ELECTRIC**  
**C2000 SERIES**



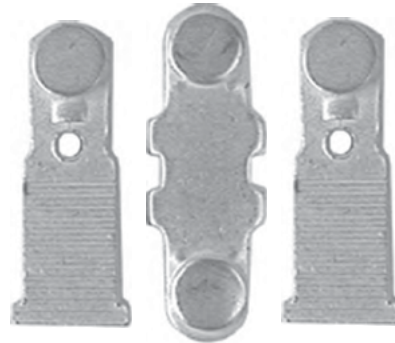
OEM No. VB1205B/ VB1207B/ VB1208B  
 OCC No. 720364T  
 DEVICE No. CL05/07/08  
 No. OF POLES: 4



OEM No. V31206B/ V31207B/ V31208B  
 OCC No. 721620T  
 DEVICE No. CL06/07/08  
 No OF POLES: 3



OEM No. V31209B  
 OCC No. 721626T  
 DEVICE No. CL09  
 No. OF POLES: 3



OEM No. V31210B  
 OCC No. 721628T  
 DEVICE No. CL10  
 No. OF POLES: 3



OEM No. V31175CA  
 OCC No. 721630T  
 DEVICE No. CK75  
 No. OF POLES: 3

This document utilizes an interactive table of contents to help you jump from one section to another. Click the button to return to the table of contents.

**RETURN TO  
 TABLE OF CONTENTS**

- 100, 200, 300--LINE
- CR7006 SERIES
- MEDIUM VOLTAGE 5KV SERIES
- DS303 DC CONTACTORS
- C2000 SERIES
- IC2800 CONTACTORS
- CR2800 CONTACTORS
- CR2810 CONTACTORS
- NAVY CONTROL IC5181



## **GENERAL ELECTRIC** **IC2800 CONTACTORS**



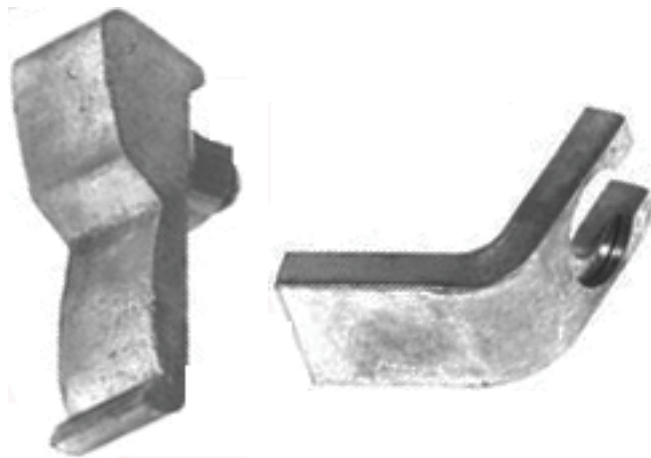
OEM No. CR2800-1607 THRU 1609  
OCC No. 721648T  
STATIONARY WIDTH: .500"  
MOVABLE WIDTH: .375"  
1 POLE SET



OEM No. CR2800-1612 THRU 1619  
OCC No. 721686T  
WIDTH: .500"  
1 POLE SET



OEM No. CR2800-1620 THRU 1625  
OCC No. CR2800162025R  
WIDTH: .750"  
1 POLE SET



OEM No. CR2800-Y100, 1170  
OCC No. 721566T  
WIDTH: .750"  
1 POLE SET

This document utilizes an interactive table of contents to help you jump from one section to another. Click the button to return to the table of contents.

**RETURN TO  
TABLE OF CONTENTS**

- 100, 200, 300--LINE
- CR7006 SERIES
- MEDIUM VOLTAGE 5KV SERIES
- DS303 DC CONTACTORS
- C2000 SERIES
- IC2800 CONTACTORS
- CR2800 CONTACTORS
- CR2810 CONTACTORS
- NAVY CONTROL IC5181



## **GENERAL ELECTRIC** **CR2800 CONTACTORS**

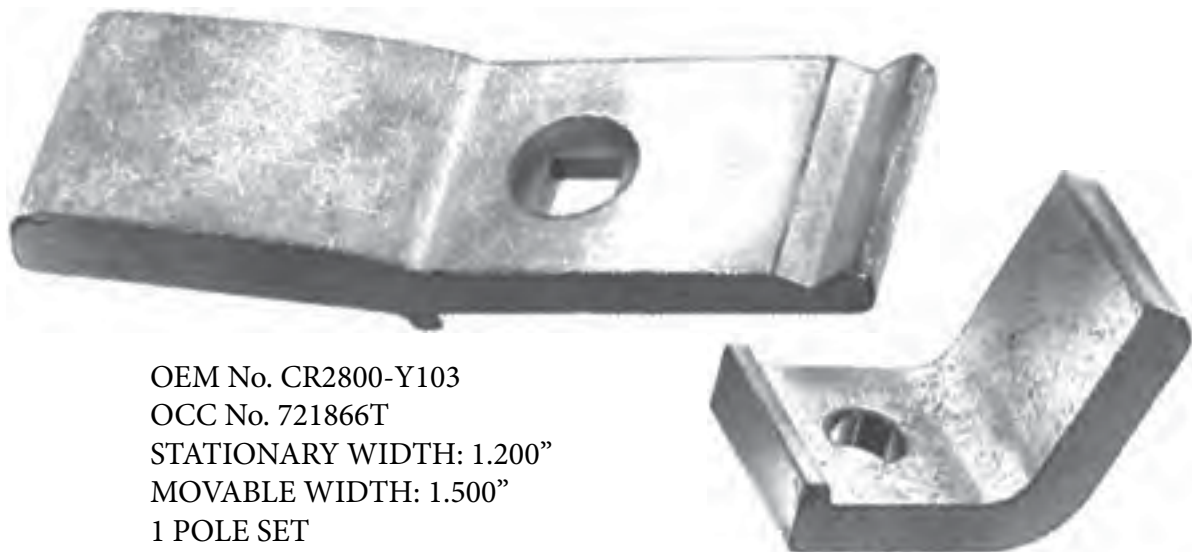
**SINGLE CONTACTS ALSO AVAILABLE**



OEM No. CR2800-Y106, 1175  
OCC No. 721862T  
STATIONARY WIDTH: 1.200"  
MOVABLE WIDTH: 1.0"  
1 POLE SET



OEM No. CR2800-1176  
OCC No. 721864T  
WIDTH: 1.500"  
1 POLE SET



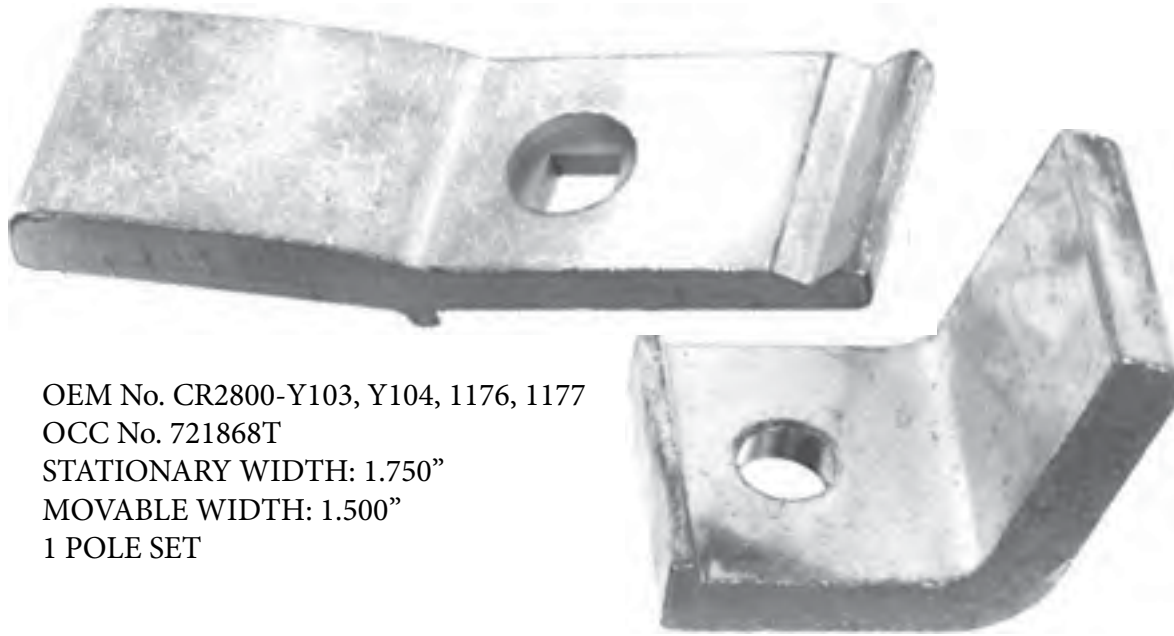
OEM No. CR2800-Y103  
OCC No. 721866T  
STATIONARY WIDTH: 1.200"  
MOVABLE WIDTH: 1.500"  
1 POLE SET

This document utilizes an interactive table of contents to help you jump from one section to another. Click the button to return to the table of contents.

**RETURN TO  
TABLE OF CONTENTS**

- 100, 200, 300--LINE
- CR7006 SERIES
- MEDIUM VOLTAGE 5KV SERIES
- DS303 DC CONTACTORS
- C2000 SERIES
- IC2800 CONTACTORS
- CR2800 CONTACTORS
- CR2810 CONTACTORS
- NAVY CONTROL IC5181

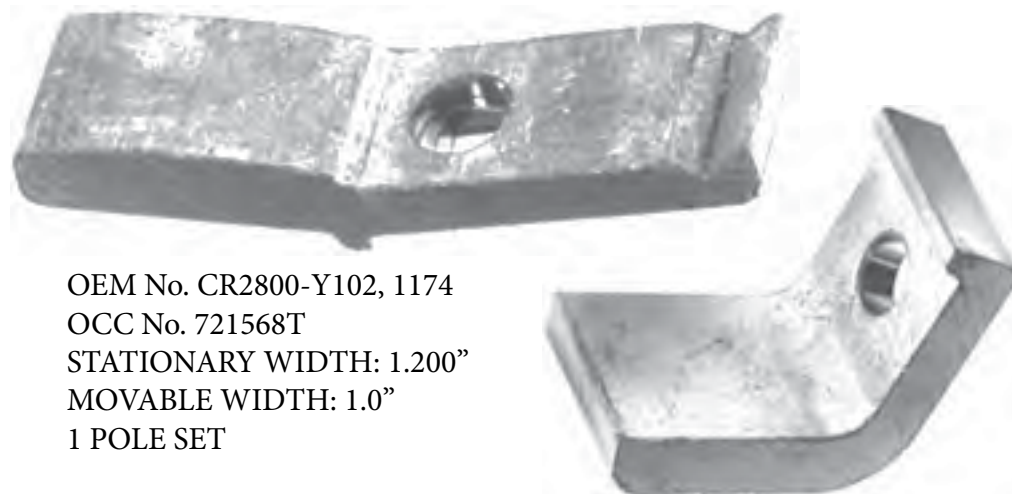
## SINGLE CONTACTS ALSO AVAILABLE



OEM No. CR2800-Y103, Y104, 1176, 1177  
OCC No. 721868T  
STATIONARY WIDTH: 1.750"  
MOVABLE WIDTH: 1.500"  
1 POLE SET



OEM No. CR2800-1174, 1175  
OCC No. 721870T  
WIDTH: 1.0"  
1 POLE SET



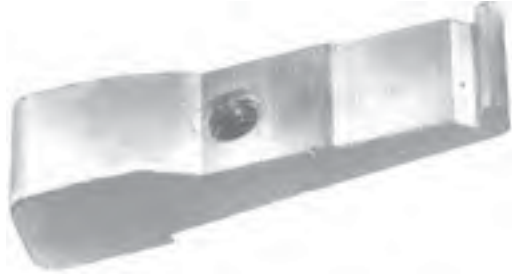
OEM No. CR2800-Y102, 1174  
OCC No. 721568T  
STATIONARY WIDTH: 1.200"  
MOVABLE WIDTH: 1.0"  
1 POLE SET

This document utilizes an interactive table of contents to help you jump from one section to another. Click the button to return to the table of contents.

[RETURN TO  
TABLE OF CONTENTS](#)

- 100, 200, 300--LINE
- CR7006 SERIES
- MEDIUM VOLTAGE 5KV SERIES
- DS303 DC CONTACTORS
- C2000 SERIES
- IC2800 CONTACTORS
- CR2800 CONTACTORS
- CR2810 CONTACTORS
- NAVY CONTROL IC5181

## SINGLE CONTACTS ALSO AVAILABLE



OEM No. CR2800-Y101, Y105, 1172, 1173  
OCC No. 721564T  
WIDTH: .750"  
1 POLE SET



OEM No. CR2800-1178  
OCC No. 721872T  
WIDTH: 1.500"  
1 POLE SET



OEM No. CR2800-, CR2810- VARIOUS  
OCC No. 721874T  
WIDTH: 1.0"  
1 POLE SET

This document utilizes an interactive table of contents to help you jump from one section to another. Click the button to return to the table of contents.

[RETURN TO  
TABLE OF CONTENTS](#)

- 100, 200, 300--LINE
- CR7006 SERIES
- MEDIUM VOLTAGE 5KV SERIES
- DS303 DC CONTACTORS
- C2000 SERIES
- IC2800 CONTACTORS
- CR2800 CONTACTORS
- CR2810 CONTACTORS
- NAVY CONTROL IC5181

## **GENERAL ELECTRIC** **CR2810 CONTACTORS**

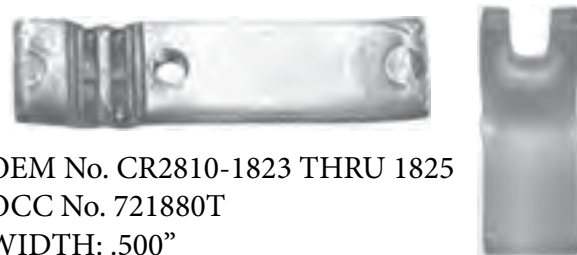
**SINGLE CONTACTS ALSO AVAILABLE**



OEM No. CR2810-1572 THRU 1575  
OCC No. 721876T  
WIDTH: 1.500"  
1 POLE SET



OEM No. CR2810-1852 THRU 1865  
OCC No. 721878T  
WIDTH: .750"  
1 POLE SET



OEM No. CR2810-1823 THRU 1825  
OCC No. 721880T  
WIDTH: .500"  
1 POLE SET

P. 800-310-5999 F. 330-648-2774  
sales@ohiocontact.com www.ohiocontact.com

This document utilizes an interactive table of contents to help you jump from one section to another. Click the button to return to the table of contents.

**RETURN TO  
TABLE OF CONTENTS**

- 100, 200, 300--LINE
- CR7006 SERIES
- MEDIUM VOLTAGE 5KV SERIES
- DS303 DC CONTACTORS
- C2000 SERIES
- IC2800 CONTACTORS
- CR2800 CONTACTORS
- CR2810 CONTACTORS
- NAVY CONTROL IC5181



**GENERAL ELECTRIC**  
**NAVY CONTROL IC5181**



OEM No. 174A7609G1  
OCC No. 721586T  
DEVICE No. IC5181C100  
SIZE: 0  
MOVABLE



OEM No. 174A7610G1  
OCC No. 721588T  
DEVICE No. IC5181C100  
SIZE: 0  
STATATIONARY



OEM No. 174A7611G1  
OCC No. 721590T  
DEVICE No. IC5181C101  
SIZE: 1  
MOVABLE



OEM No. 174A7613G1  
OCC No. 721592T  
DEVICE No. IC5181C101  
SIZE: 1  
STATATIONARY



OEM No. 174A7153G1  
OCC No. 721594T  
DEVICE No. IC5181C102  
SIZE: 2  
MOVABLE



OEM No. 174A7154G1  
OCC No. 721596T  
DEVICE No. IC5181C102  
SIZE: 2  
STATATIONARY



OEM No. 174A7636G1  
OCC No. 721598T  
DEVICE No. IC5181C103  
SIZE: 3  
MOVABLE



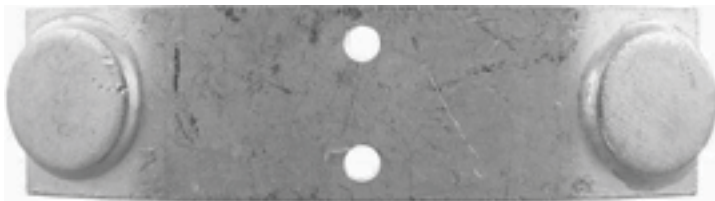
OEM No. 174A7638G1  
OCC No. 721600T  
DEVICE No. IC5181C103  
SIZE: 3  
STATATIONARY



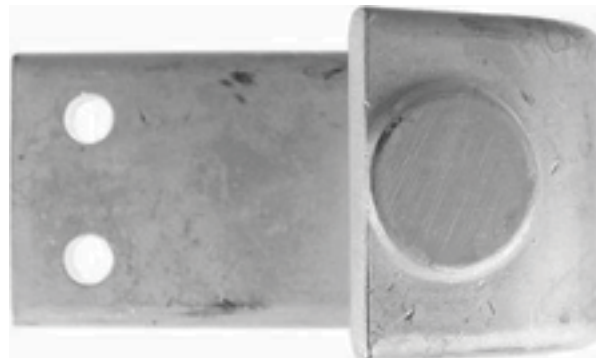
OEM No. 174A5315G1  
OCC No. 721602T  
DEVICE No. IC5181C104  
SIZE: 4  
MOVABLE



OEM No. 174A5316G1  
OCC No. 721604T  
DEVICE No. IC5181C104  
SIZE: 4  
STATATIONARY



OEM No. 188A4581G1  
OCC No. 721606T  
DEVICE No. IC5181C105  
SIZE: 5  
MOVABLE



OEM No. 188A4583G1  
OCC No. 721608T  
DEVICE No. IC5181C105  
SIZE: 5  
STATATIONARY

This document utilizes an interactive table of contents to help you jump from one section to another. Click the button to return to the table of contents.

**RETURN TO  
TABLE OF CONTENTS**

- 100, 200, 300--LINE
- CR7006 SERIES
- MEDIUM VOLTAGE 5KV SERIES
- DS303 DC CONTACTORS
- C2000 SERIES
- IC2800 CONTACTORS
- CR2800 CONTACTORS
- CR2810 CONTACTORS
- NAVY CONTROL IC5181



## HUBBELL / EUCLID TABLE OF CONTENTS

This document utilizes an interactive table of contents to help you jump from one section to another. Click the button to return to the table of contents.

[RETURN TO  
TABLE OF CONTENTS](#)

| OEM No.   | OCC No. | DESCRIPTION                          | PAGE |
|-----------|---------|--------------------------------------|------|
| 2315-000  | 714281T | SIZE- 0, 1, STATIONARY, WIDTH- 9/16" | 74   |
| 2317-000  | 722022T | SIZE- 2, STATIONARY, WIDTH- 11/16"   | 74   |
| 5721-000  | 722102T | SIZE- 0, 1, MOVABLE, WIDTH- 1/2"     | 74   |
| 5722-000  | 722106T | SIZE- 2, MOVABLE, WIDTH- 5/8"        | 74   |
| 16924-000 | 722030T | SIZE- 3, MOV. & STAT., WIDTH- 3/4"   | 74   |
| 17279-000 | 722034T | SIZE- 4, MOV. & STAT., WIDTH- 7/8"   | 74   |
| 18402-000 | 722140T | SIZE- 5, STATIONARY, WIDTH- 1"       | 74   |
| 41719-000 | 722152T | SIZE- 5, MOVABLE, WIDTH- 1"          | 74   |
| 41702-000 | 722250T | SIZE- 6, MOVABLE, WIDTH- 1 1/2"      | 75   |
| 41703-000 | 722246T | SIZE- 6, STATIONARY, WIDTH- 1 3/4"   | 75   |
| 59596-601 | 722160T | SIZE- 6, MOV. & STAT., WIDTH- 1 1/2" | 75   |
| 59596-701 | 722162T | SIZE- 7, MOV. & STAT., WIDTH- 1 3/4" | 75   |
| 59596-801 | 722164T | SIZE- 8, MOV. & STAT., WIDTH- 2 1/8" | 75   |



## HUBBELL / EUCLID



OEM No. 2315-000  
OCC No. 714281T  
SIZE: 0,1  
WIDTH: 9/16"  
STATIONARY



OEM No. 2317-000  
OCC No. 722022T  
SIZE: 2  
WIDTH: 11/16"  
STATIONARY



OEM No. 5721-000  
OCC No. 722102T  
SIZE: 0,1  
WIDTH: 1/2"  
MOVABLE



OEM No. 5722-000  
OCC No. 722106T  
SIZE: 2  
WIDTH: 5/8"  
MOVABLE



OEM No. 16924-000  
OCC No. 722030T  
SIZE: 3  
WIDTH: 3/4"  
MOV. & STAT.



OEM No. 17279-000  
OCC No. 722034T  
SIZE: 4  
WIDTH: 7/8"  
MOV. & STAT.



OEM No. 18402-000  
OCC No. 722140T  
SIZE: 5  
WIDTH: 1.0"  
STATIONARY



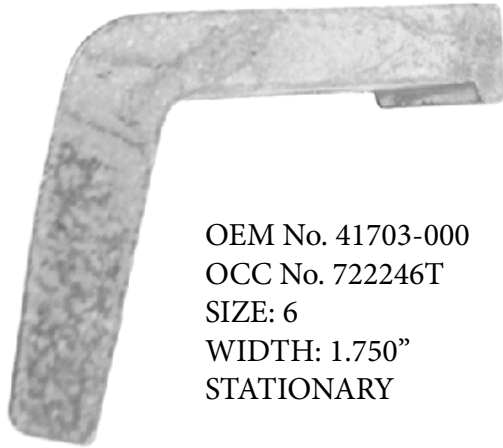
OEM No. 41719-000  
OCC No. 722152T  
SIZE: 5  
WIDTH: 1.0"  
MOVABLE

This document utilizes an interactive table of contents to help you jump from one section to another. Click the button to return to the table of contents.

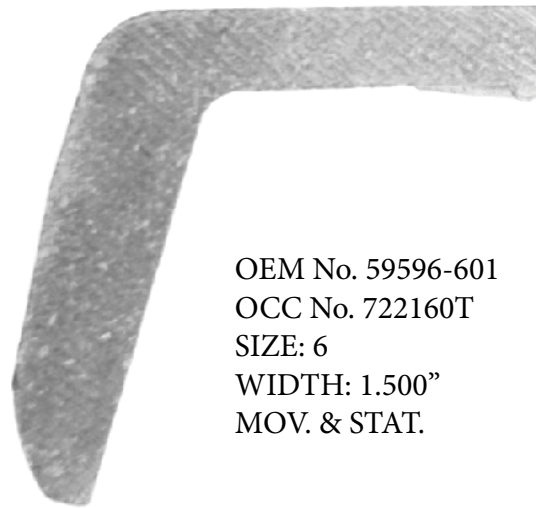
[RETURN TO TABLE OF CONTENTS](#)

This document utilizes an interactive table of contents to help you jump from one section to another. Click the button to return to the table of contents.

**RETURN TO  
TABLE OF CONTENTS**



OEM No. 41703-000  
OCC No. 722246T  
SIZE: 6  
WIDTH: 1.750"  
STATIONARY



OEM No. 59596-601  
OCC No. 722160T  
SIZE: 6  
WIDTH: 1.500"  
MOV. & STAT.



OEM No. 59596-701  
OCC No. 722162T  
SIZE: 7  
WIDTH: 1.750"  
MOV. & STAT.



OEM No. 59596-801  
OCC No. 722164T  
SIZE: 8  
WIDTH: 2.125"  
MOV. & STAT.



OEM No. 41702-000  
OCC No. 722250T  
SIZE: 8  
WIDTH: 1.500"  
MOV. & STAT.

## KLOCKNER-MOELLER TABLE OF CONTENTS

| OEM No.  | OCC No. | DESCRIPTION | PAGE |
|----------|---------|-------------|------|
| DIL2-22  | 724000T | 3 POLE      | 78   |
| DIL3-22  | 724002T | 3 POLE      | 78   |
| DIL4-22  | 724004T | 3 POLE      | 78   |
| DIL6-22  | 724006T | 3 POLE      | 78   |
| DIL6-M   | 724008T | 3 POLE      | N/P  |
| DIL6-AM  | 724010T | 3 POLE      | N/P  |
| DIL8-M   | 724012T | 3 POLE      | N/P  |
| DIL8-AM  | 724014T | 3 POLE      | N/P  |
| DIL10-M  | 724016T | 3 POLE      | N/P  |
| DIL10-AM | 724018T | 3 POLE      | N/P  |

N/P- NOT PICTURED

This document utilizes an interactive table of contents to help you jump from one section to another. Click the button to return to the table of contents.

[RETURN TO  
TABLE OF CONTENTS](#)





## **KLOCKNER-MOELLER** **UNIVERSAL AND CURRENT SERIES**



OEM No. DIL2-22  
OCC No. 724000T  
No. OF POLES: 3



OEM No. DIL3-22  
OCC No. 724002T  
No. OF POLES: 3



OEM No. DIL4-22  
OCC No. 724004T  
No. OF POLES: 3



OEM No. DIL6-22  
OCC No. 724006T  
No. OF POLES: 3

This document utilizes an interactive table of contents to help you jump from one section to another. Click the button to return to the table of contents.

**RETURN TO  
TABLE OF CONTENTS**

## MITSUBISHI TABLE OF CONTENTS

| OEM No.   | OCC No. | DESCRIPTION             | PAGE |
|-----------|---------|-------------------------|------|
| BH529N301 | 762056T | 3 POLE, DEVICE S-K18/19 | 81   |
| BH539N300 | 762010T | 3 POLE, DEVICE S(D)-K21 | 81   |
| BH549N300 | 762012T | 3 POLE, DEVICE S-K25    | 81   |
| BH549N301 | 762014T | 3 POLE, DEVICE S(D)-K35 | 81   |
| BH559N306 | 762024T | 3 POLE, DEVICE S-K38    | 81   |
| BH559N307 | 762026T | 3 POLE, DEVICE S-K48    | 81   |
| BH559N300 | 762016T | 3 POLE, DEVICE S-K50    | 81   |
| BH559N302 | 762020T | 3 POLE, DEVICE SD-K50   | N/P  |
| BH559N301 | 762018T | 3 POLE, DEVICE S-K65    | 81   |
| BH559N303 | 762022T | 3 POLE, DEVICE SD-K65   | N/P  |
| BH569N300 | 762028T | 3 POLE, DEVICE S-K80    | 81   |
| BH569N302 | 762032T | 3 POLE, DEVICE SD-K80   | N/P  |
| BH569N301 | 762030T | 3 POLE, DEVICE S-K95    | 81   |
| BH569N303 | 762034T | 3 POLE, DEVICE SD-K95   | N/P  |
| BH579N301 | 762036T | 3 POLE, DEVICE S-K125   | 81   |

**N/P- NOT PICTURED**

This document utilizes an interactive table of contents to help you jump from one section to another. Click the button to return to the table of contents.

**RETURN TO  
TABLE OF CONTENTS**



## mitsubishi



OEM No. BH529N301  
OCC No. 762056T  
DEVICE No. S-K18/19  
No. OF POLES: 3



OEM No. BH539N300  
OCC No. 762010T  
DEVICE No. S(D)-K21  
No. OF POLES: 3



OEM No. BH549N300  
OCC No. 762012T  
DEVICE No. S-K25  
No. OF POLES: 3



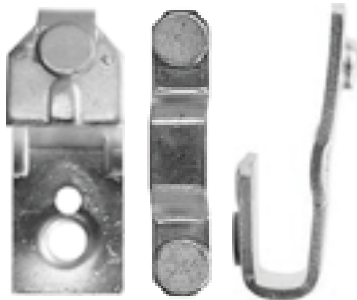
OEM No. BH549N301  
OCC No. 762014T  
DEVICE No. S(D)-K35  
No. OF POLES: 3



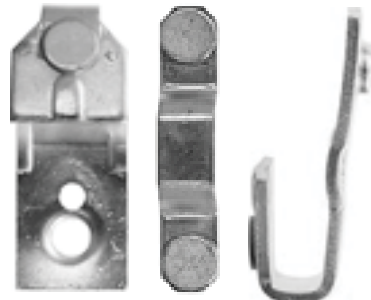
OEM No. BH559N306  
OCC No. 762024T  
DEVICE No. S-K38  
No. OF POLES: 3



OEM No. BH559N307  
OCC No. 762026T  
DEVICE No. S-K48  
No. OF POLES: 3



OEM No. BH559N300  
OCC No. 762016T  
DEVICE No. S-K50  
No. OF POLES: 3



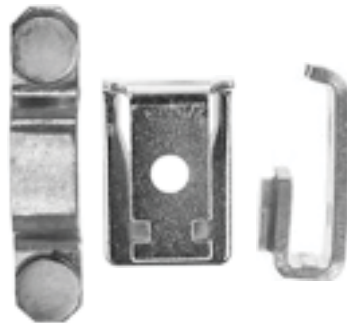
OEM No. BH559N301  
OCC No. 762018T  
DEVICE No. S-K65  
No. OF POLES: 3



OEM No. BH569N300  
OCC No. 762028T  
DEVICE No. S-K80  
No. OF POLES: 3



OEM No. BH569N301  
OCC No. 762030T  
DEVICE No. S-K95  
No. OF POLES: 3



OEM No. BH579N301  
OCC No. 762036T  
DEVICE No. S-K125  
No. OF POLES: 3

This document utilizes an interactive table of contents to help you jump from one section to another. Click the button to return to the table of contents.

[RETURN TO  
TABLE OF CONTENTS](#)



## P & H TABLE OF CONTENTS

| OEM No.            | OCC No. | DESCRIPTION                | PAGE |
|--------------------|---------|----------------------------|------|
| 79H1564 / 79H734C1 | 728064T | SINGLE CONTACT, .750" WIDE | 84   |
| 79H1565 / 79H708C1 | 728066T | SINGLE CONTACT, 1.0" WIDE  | 84   |
| 79H2115            | 728062T | SINGLE CONTACT, .688" WIDE | 84   |
| 79H1682 / 79H1561  | 728058T | SINGLE CONTACT, .750" WIDE | 84   |
| 79H1684 / 79H1359  | 728060T | SINGLE CONTACT, 1.0" WIDE  | 84   |
| 79H2181            | 728068T | SINGLE CONTACT, .875" WIDE | 84   |

This document utilizes an interactive table of contents to help you jump from one section to another. Click the button to return to the table of contents.

**RETURN TO  
TABLE OF CONTENTS**



## P & H



OEM No. 79H1564 / 79H734C1  
OCC No. 728064T  
WIDTH: .750"  
SINGLE CONTACT



OEM No. 79H708C1 / 79H1565  
OCC No. 728066T  
WIDTH: 1.0"  
SINGLE CONTACT



OEM No. 79H2115  
OCC No. 728062T  
WIDTH: .688"  
SINGLE CONTACT



OEM No. 79H1683 / 79H1561  
OCC No. 728058T  
WIDTH: .750"  
SINGLE CONTACT



OEM No. 79H1684 / 79H1359  
OCC No. 728060T  
WIDTH: 1.0"  
SINGLE CONTACT



OEM No. 79H2181  
OCC No. 728068T  
WIDTH: .875"  
SINGLE CONTACT

This document utilizes an interactive table of contents to help you jump from one section to another. Click the button to return to the table of contents.

[RETURN TO  
TABLE OF CONTENTS](#)

## S & S (SPRECHER & SCHUH) TABLE OF CONTENTS

This document utilizes an interactive table of contents to help you jump from one section to another. Click the button to return to the table of contents.

**RETURN TO  
TABLE OF CONTENTS**

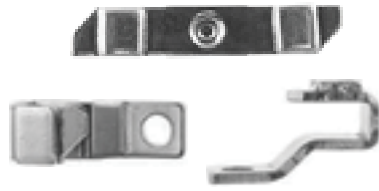
- CA1 CONTACTORS
- CA3--CA6 CONTACTORS
- CA7 CONTACTORS

| OEM No.       | OCC No. | DESCRIPTION                             | PAGE |
|---------------|---------|---|------|
| 22.109.212-02 | 734014T | 3 POLE, SIZE-1, 1 3/4, DEVICE CA1-14/16 | N/P  |
| 22.110.212-02 | 734015T | 3 POLE, SIZE-2, DEVICE CA1-25           | 87   |
| 22.114.212-02 | 734016T | 3 POLE, SIZE-2 1/2, DEVICE CA1-40       | 87   |
| 22.104.212-04 | 734004T | 3 POLE, SIZE-3, 3 1/2, DEVICE CA1-55/60 | 87   |
| 22.104.212-06 | 734006T | 3 POLE, SIZE-4, DEVICE CA1-100          | 87   |
| 22.105.212-03 | 734008T | 3 POLE, SIZE- 4 1/2, DEVICE CA1-150     | 87   |
| 22.106.212-02 | 734010T | 3 POLE, SIZE-5, DEVICE CA1-250          | 88   |
| 22.107.212-02 | 734012T | 3 POLE, SIZE-5 1/2, DEVICE CA1-480      | 88   |
| 22.701.214-01 | 734018T | 3 POLE, SIZE-1, DEVICE CA3-37           | 89   |
| 22.701.215-01 | 734018T | 3 POLE, SIZE-2, DEVICE CA3-43           | 89   |
| 22.701.216-01 | 734018T | 3 POLE, SIZE-2, DEVICE CA3-60           | 89   |
| 22.701.217-01 | 734018T | 3 POLE, SIZE-2 1/2, DEVICE CA3-72       | 89   |
| 22.801.200-01 | 734028T | 3 POLE, SIZE-3, DEVICE CA6-85           | 89   |
| 22.801.201-01 | 734028T | 3 POLE, SIZE-3 1/2, DEVICE CA6-105-E(1) | 89   |
| 22.802.200-01 | 734030T | 3 POLE, SIZE-4, DEVICE CA6-140-E(1)     | 89   |
| 22.802.201-01 | 734030T | 3 POLE, SIZE-4, DEVICE CA6-170-E(1)     | 89   |
| CA7-30/43     | 734040T | DEVICE CA7-30 THRU 43                   | 90   |
| CA7-60/72     | 734038T | DEVICE CA7-60 THRU 72                   | 90   |
| CA7-85        | 734042T | DEVICE CA7-85                           | 90   |

**N/P- NOT PICTURED**



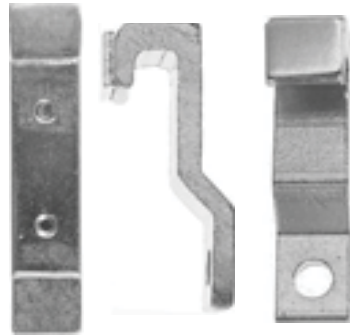
**S & S (SPRECHER & SCHUH)**  
**CA1 CONTACTORS**



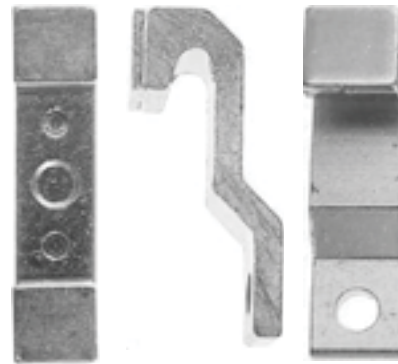
OEM No. 22.110.212-02  
OCC No. 734015T  
DEVICE No. CA1-25  
No. OF POLES: 3  
SIZE: 2



OEM No. 22.114.212-02  
OCC No. 734016T  
DEVICE No. CA1-40  
No. OF POLES: 3  
SIZE: 2 1/2

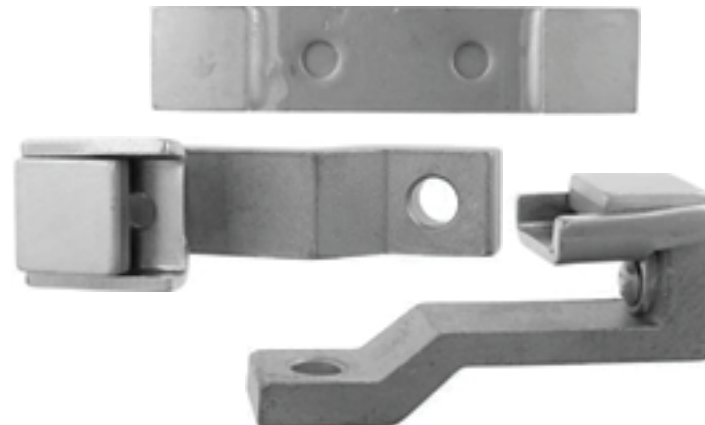


OEM No. 22.104.212-04  
OCC No. 734004T  
DEVICE No. CA1-55/60  
No. OF POLES: 3  
SIZE: 3, 3 1/2



OEM No. 22.104.212-06  
OCC No. 734006T  
DEVICE No. CA1-100  
No. OF POLES: 3  
SIZE: 4

OEM No. 22.105.212-03  
OCC No. 734008T  
DEVICE No. CA1-150  
No. OF POLES: 3  
SIZE: 4 1/2

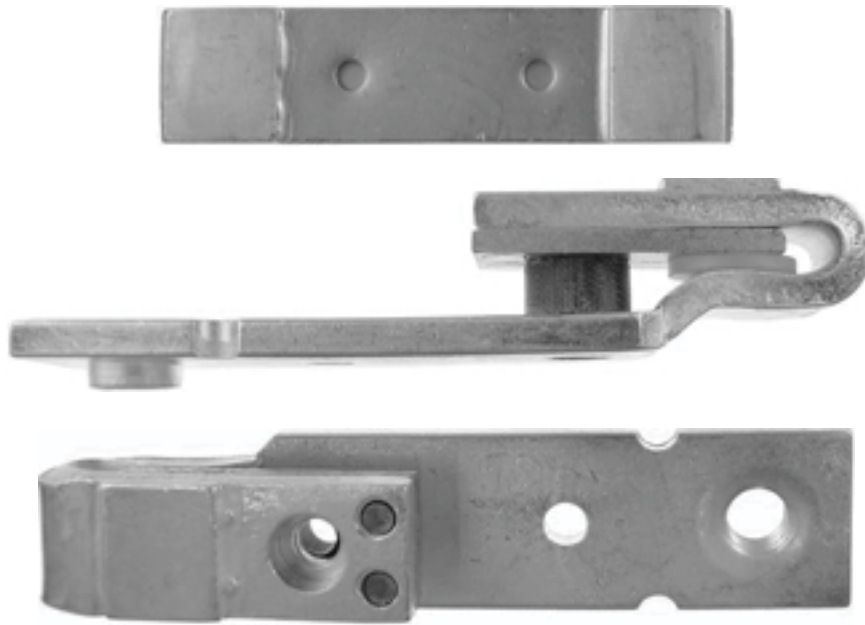


This document utilizes an interactive table of contents to help you jump from one section to another. Click the button to return to the table of contents.

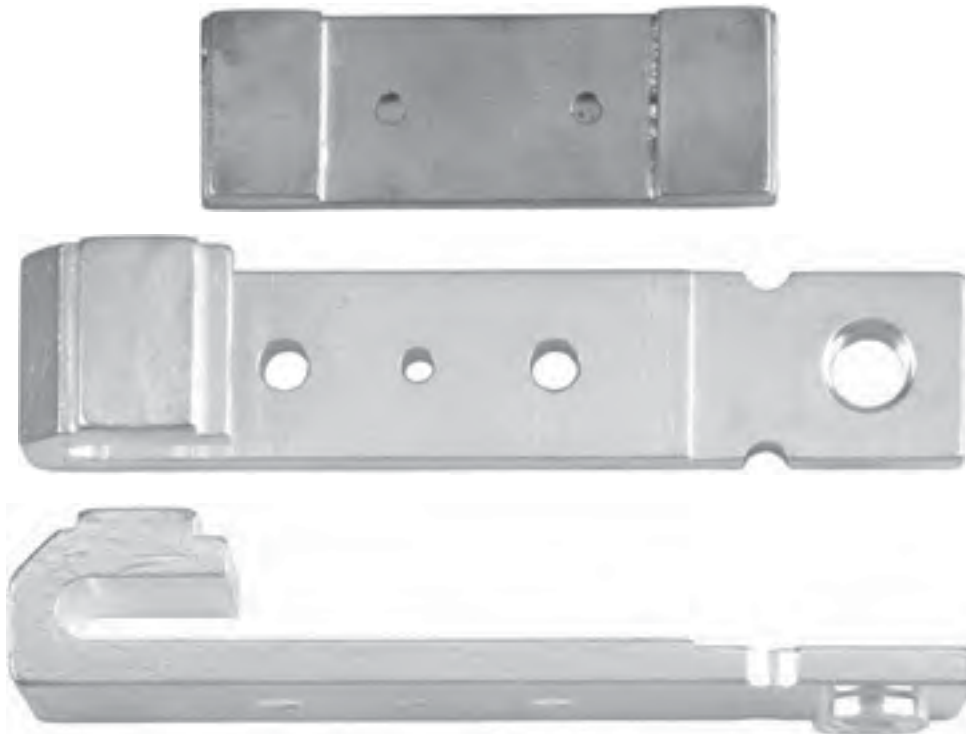
**RETURN TO  
TABLE OF CONTENTS**

- CA1 CONTACTORS
- CA3--CA6 CONTACTORS
- CA7 CONTACTORS





OEM No. 22.106.212-02  
OCC No. 734010T  
DEVICE No. CA1-250  
No. OF POLES: 3  
SIZE: 5



OEM No. 22.107.212-02  
OCC No. 734012T  
DEVICE No. CA1-480  
No. OF POLES: 3  
SIZE: 5 1/2

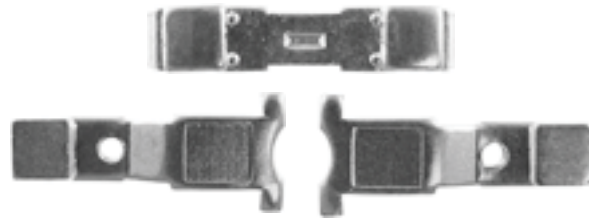
P. 800-310-5999 F. 330-648-2774  
sales@ohiocontact.com www.ohiocontact.com

This document utilizes an interactive table of contents to help you jump from one section to another. Click the button to return to the table of contents.

**RETURN TO  
TABLE OF CONTENTS**

- CA1 CONTACTORS
- CA3--CA6 CONTACTORS
- CA7 CONTACTORS

**S & S (SPRECHER & SCHUH)**  
**CA3-CA6 CONTACTORS**



OEM No. 22.701.214-01/22.701.215-01/22.701.216-01/22.701.217-01  
OCC No. 734018T  
DEVICE No. CA3-37/43/60  
No. OF POLES: 3  
SIZE: 1, 2, 2 1/2



OEM No. 22.801.200-01/22.801.201-01  
OCC No. 734028T  
DEVICE No. CA6-85/105-E(1)  
No. OF POLES: 3  
SIZE: 3, 3 1/2



OEM No. 22.802.200-01/22.802.201-01  
OCC No. 734030T  
DEVICE No. CA6-140-E(1)/170-E(1)  
No. OF POLES: 3  
SIZE: 4

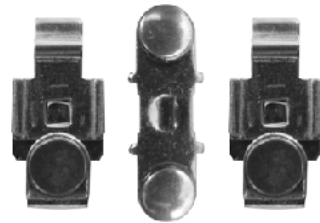
P. 800-310-5999 F. 330-648-2774  
sales@ohiocontact.com www.ohiocontact.com

This document utilizes an interactive table of contents to help you jump from one section to another. Click the button to return to the table of contents.

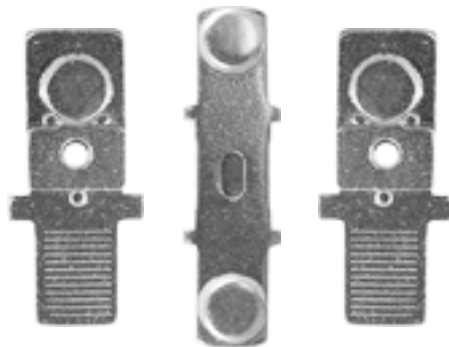
**RETURN TO  
TABLE OF CONTENTS**

- CA1 CONTACTORS
- CA3-CA6 CONTACTORS
- CA7 CONTACTORS

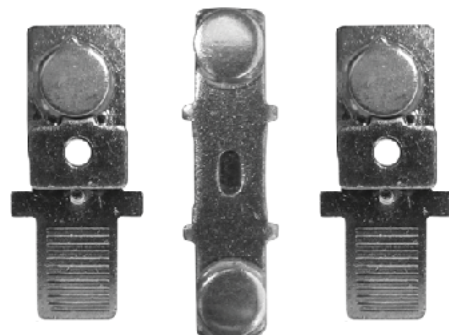
**S & S (SPRECHER & SCHUH)**  
**CA7 CONTACTORS**



OEM No. CA7-30/43  
OCC No. 734040T  
DEVICE No. CA7-30 THRU 43



OEM No. CA7-60/72  
OCC No. 734038T  
DEVICE No. CA7-60 THRU 72



OEM No. CA7-85  
OCC No. 734042T  
DEVICE No. CA7-85

P. 800-310-5999 F. 330-648-2774  
sales@ohiocontact.com www.ohiocontact.com

This document utilizes an interactive table of contents to help you jump from one section to another. Click the button to return to the table of contents.

**RETURN TO  
TABLE OF CONTENTS**

- CA1 CONTACTORS
- CA3--CA6 CONTACTORS
- CA7 CONTACTORS

## SIEMENS TABLE OF CONTENTS

| OEM No.               | OCC No. | DESCRIPTION          | PAGE |
|-----------------------|---------|----------------------|------|
| 25-106-921-812 (K-C1) | 736130T | 4 POLE, SIZE-1       | 94   |
| 25-106-922-812 (K-C2) | 736132T | 3 POLE, SIZE-2       | 94   |
| 25-106-923-812 (K-C3) | 736134T | 3 POLE, SIZE-3       | 94   |
| 25-106-924-812 (K-C4) | 736136T | 3 POLE, SIZE-4       | 94   |
| 14-134-047-801        | 736102T | 3 POLE, SIZE-4       | 94   |
| 14-134-875-801        | 736104T | 3 POLE, SIZE-5       | 94   |
| 14-134-893-801        | 736106T | 3 POLE, SIZE-6       | 94   |
| 3TY1210-OA            | 736008T | 3 POLE, DEVICE 3TA21 | 95   |
| 3TY1220-OA            | 736010T | 3 POLE, DEVICE 3TA22 | 95   |
| 3TY1230-OA            | 736012T | 3 POLE, DEVICE 3TA23 | 95   |
| 3TY1240-OA            | 736014T | 3 POLE, DEVICE 3TA24 | 95   |
| 3TY1260-OA            | 736016T | 3 POLE, DEVICE 3TA26 | 95   |
| 3TY6580-OA            | 736050T | 3 POLE, DEVICE 3TB58 | 96   |
| 3TY1320-OA            | 736022T | 3 POLE, DEVICE 3TA32 | 96   |
| 3TY6440-OA            | 736034T | 3 POLE, DEVICE 3TB44 | 97   |
| 3TY6460-OA            | 736036T | 3 POLE, DEVICE 3TB46 | 97   |
| 3TY6470-OA            | 736038T | 3 POLE, DEVICE 3TB47 | 97   |
| 3TY6480-OA            | 736040T | 3 POLE, DEVICE 3TB48 | 97   |
| 3TY6500-OA            | 736042T | 3 POLE, DEVICE 3TB50 | 97   |
| 3TY6520-OA            | 736044T | 3 POLE, DEVICE 3TB52 | 97   |
| 3TY6540-OA            | 736046T | 3 POLE, DEVICE 3TB54 | 97   |
| 3TY6560-OA            | 736048T | 3 POLE, DEVICE 3TB56 | 97   |
| 3TY7440-OA            | 736052T | 3 POLE, DEVICE 3TF44 | 98   |
| 3TY7450-OA            | 736054T | 3 POLE, DEVICE 3TF45 | 98   |
| 3TY7460-OA            | 736056T | 3 POLE, DEVICE 3TF46 | 98   |
| 3TY7470-OA            | 736058T | 3 POLE, DEVICE 3TF47 | 98   |
| 3TY7480-OA            | 736060T | 3 POLE, DEVICE 3TF48 | 98   |
| 3TY7490-OA            | 736062T | 3 POLE, DEVICE 3TF49 | 98   |
| 3TY7500-OA            | 736064T | 3 POLE, DEVICE 3TF50 | 98   |
| 3TY7510-OA            | 736066T | 3 POLE, DEVICE 3TF51 | 98   |
| 3TY7520-OA            | 736068T | 3 POLE, DEVICE 3TF52 | 98   |
| 3TY7530-OA            | 736070T | 3 POLE, DEVICE 3TF53 | 99   |
| 3TY7540-OA            | 736072T | 3 POLE, DEVICE 3TF54 | 99   |
| 3TY7550-OA            | 736074T | 3 POLE, DEVICE 3TF55 | 99   |
| 3TY7560-OA            | 736076T | 3 POLE, DEVICE 3TF56 | 99   |
| 3TY7570-OA            | 736078T | 3 POLE, DEVICE 3TF57 | 99   |
| 3TY7580-OA            | 736080T | 3 POLE, DEVICE 3TF58 | N/P  |

This document utilizes an interactive table of contents to help you jump from one section to another. Click the button to return to the table of contents.

**RETURN TO  
TABLE OF CONTENTS**

- VALUE--LINE
- 3TA SERIES
- WORLD SERIES FOR 3TB SERIES
- 3TF SERIES
- 3RT SIRIUS SERIES
- SPECIAL PURPOSE DC CONTACTORS

This document utilizes an interactive table of contents to help you jump from one section to another. Click the button to return to the table of contents.

**RETURN TO  
TABLE OF CONTENTS**

- VALUE--LINE
- 3TA SERIES
- WORLD SERIES FOR 3TB SERIES
- 3TF SERIES
- 3RT SIRIUS SERIES
- SPECIAL PURPOSE DC CONTACTORS

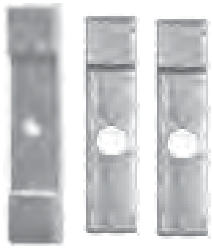
| OEM No.        | OCC No. | DESCRIPTION                            | PAGE |
|----------------|---------|--|------|
| 3RT1934-6A     | 736150T | 3 POLE, DEVICE 3RT1033/34              | 100  |
| 3RT1935-6A     | 736146T | 3 POLE, DEVICE 3RT1035                 | 100  |
| 3RT1936-6A     | 736146T | 3 POLE, DEVICE 3RT1036                 | 100  |
| 3RT1944-6A     | 736152T | 3 POLE, DEVICE 3RT1044                 | 100  |
| 3RT1945-6A     | 736142T | 3 POLE, DEVICE 3RT1045                 | 100  |
| 3RT1946-6A     | 736142T | 3 POLE, DEVICE 3RT1046                 | 100  |
| 3RT1954-6A     | 736144T | 3 POLE, DEVICE 3RT1054                 | 100  |
| 3RT1955-6A     | 736156T | 3 POLE, DEVICE 3RT1055                 | 100  |
| 3RT1956-6A     | 736156T | 3 POLE, DEVICE 3RT1056                 | 100  |
| 3RT1964-6A     | 736158T | 3 POLE, DEVICE 3RT1064                 | 100  |
| 3RT1965-6A     | 736158T | 3 POLE, DEVICE 3RT1065                 | 100  |
| 3RT1966-6A     | 736158T | 3 POLE, DEVICE 3RT1066                 | 100  |
| 3RT1975-6A     | 736168T | 3 POLE, DEVICE 3RT1075                 | 100  |
| 3RT1976-6A     | 736168T | 3 POLE, DEVICE 3RT1076                 | 100  |
| 14-187-872-801 | 736108T | CONFIGURATION-SPNO                     | 101  |
| 14-189-790-511 | 736110T | CONFIGURATION- SPNO, TYPE-264, 400 AMP | 101  |
| 14-192-887-803 | 736112T | CONFIGURATION-REV, TYPE-720, 200 AMP   | 101  |

**N/P- NOT PICTURED**

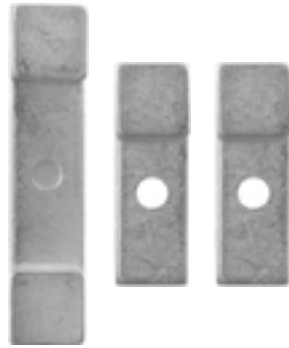




**SIEMENS-ALLIS  
VALUE-LINE**



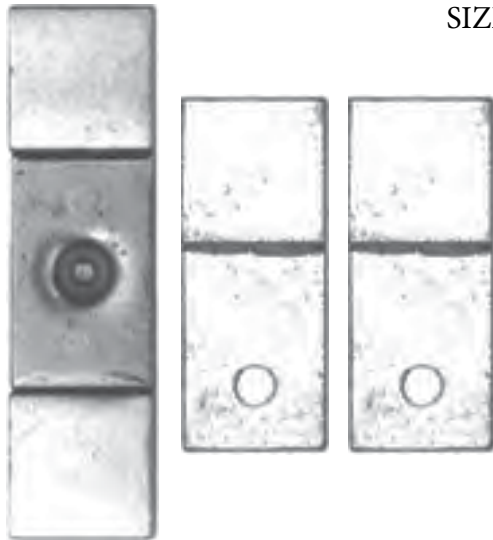
OEM No. 25-106-921-812 (K-C1)  
OCC No. 736130T  
No. OF POLES: 4  
SIZE: 1



OEM No. 25-106-922-812 (K-C2)  
OCC No. 736132T  
No. OF POLES: 3  
SIZE: 2



OEM No. 25-106-923-812 (K-C3)  
OCC No. 736134T  
No. OF POLES: 3  
SIZE: 3



OEM No. 25-106-924-812 (K-C4)  
OCC No. 736136T  
No. OF POLES: 3  
SIZE: 4

**VALUE-LINE HEAVEY-DUTY**



OEM No. 14-134-047-801  
OCC No. 736102T  
No. OF POLES: 3  
SIZE: 4



OEM No. 14-134-875-801  
OCC No. 736104T  
No. OF POLES: 3  
SIZE: 5



OEM No. 14-134-893-801  
OCC No. 736106T  
No. OF POLES: 3  
SIZE: 6

This document utilizes an interactive table of contents to help you jump from one section to another. Click the button to return to the table of contents.

**RETURN TO  
TABLE OF CONTENTS**

- VALUE--LINE
- 3TA SERIES
- WORLD SERIES FOR 3TB SERIES
- 3TF SERIES
- 3RT SIRIUS SERIES
- SPECIAL PURPOSE DC CONTACTORS

**SIEMENS**  
**3TA SERIES**



OEM No. 3TY1210-OA  
OCC No. 736008T  
DEVICE No. 3TA21  
No. OF POLES: 3



OEM No. 3TY1220-OA  
OCC No. 736010T  
DEVICE No. 3TA22  
No. OF POLES: 3



OEM No. 3TY1230-OA  
OCC No. 736012T  
DEVICE No. 3TA23  
No. OF POLES: 3



OEM No. 3TY1240-OA  
OCC No. 736014T  
DEVICE No. 3TA24  
No. OF POLES: 3



OEM No. 3TY1260-OA  
OCC No. 736016T  
DEVICE No. 3TA26  
No. OF POLES: 3

This document utilizes an interactive table of contents to help you jump from one section to another. Click the button to return to the table of contents.

**RETURN TO  
TABLE OF CONTENTS**

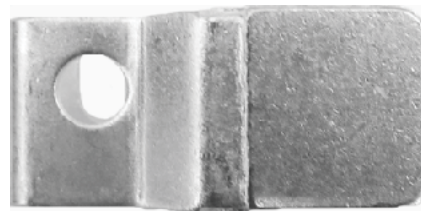
- VALUE--LINE
- 3TA SERIES
- WORLD SERIES FOR 3TB SERIES
- 3TF SERIES
- 3RT SIRIUS SERIES
- SPECIAL PURPOSE DC CONTACTORS



OEM No. 3TY1320-OA  
OCC No. 736022T  
DEVICE No. 3TA32  
No. OF POLES: 3



OEM No. 3TY6580-OA  
OCC No. 736050T  
DEVICE No. 3TB58  
No. OF POLES: 3

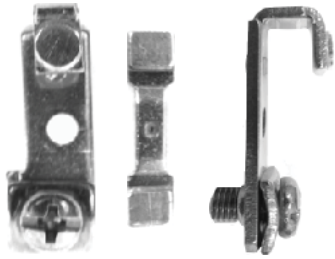


This document utilizes an interactive table of contents to help you jump from one section to another. Click the button to return to the table of contents.

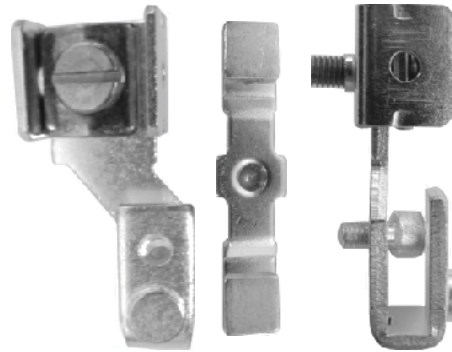
**RETURN TO  
TABLE OF CONTENTS**

- VALUE--LINE
- 3TA SERIES
- WORLD SERIES FOR 3TB SERIES
- 3TF SERIES
- 3RT SIRIUS SERIES
- SPECIAL PURPOSE DC CONTACTORS

**SIEMENS**  
**WORLD SERIES FOR 3TB SERIES**



OEM No. 3TY6440-OA  
 OCC No. 736034T  
 DEVICE No. 3TB44  
 No. OF POLES: 3



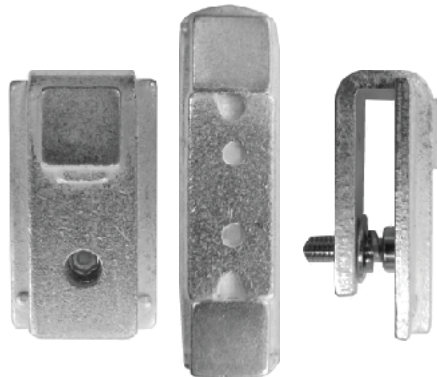
OEM No. 3TY6460-OA  
 OCC No. 736036T  
 DEVICE No. 3TB46  
 No. OF POLES: 3



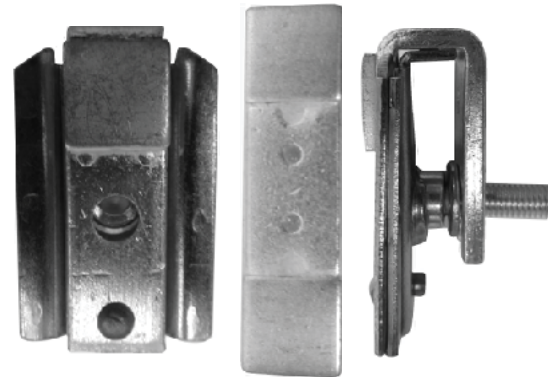
OEM No. 3TY6470-OA  
 OCC No. 736038T  
 DEVICE No. 3TB47  
 No. OF POLES: 3



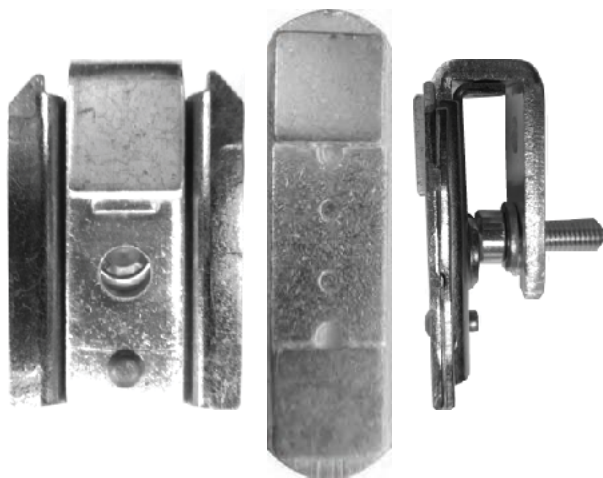
OEM No. 3TY6480-OA  
 OCC No. 736040T  
 DEVICE No. 3TB48  
 No. OF POLES: 3



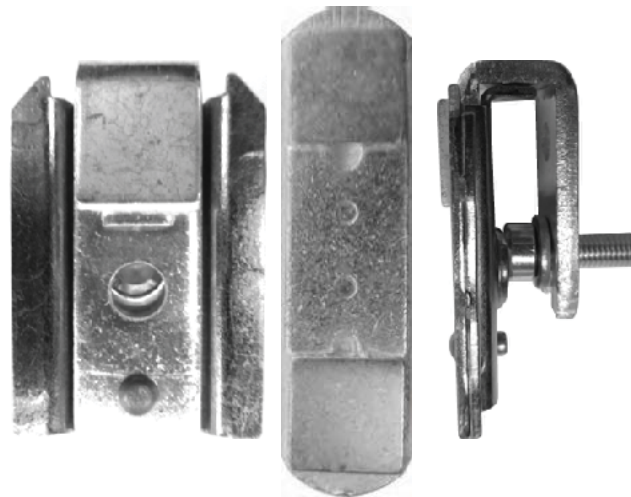
OEM No. 3TY6500-OA  
 OCC No. 736042T  
 DEVICE No. 3TB50  
 No. OF POLES: 3



OEM No. 3TY6520-OA  
 OCC No. 736044T  
 DEVICE No. 3TB52  
 No. OF POLES: 3



OEM No. 3TY6540-OA  
 OCC No. 736046T  
 DEVICE No. 3TB54  
 No. OF POLES: 3



OEM No. 3TY6560-OA  
 OCC No. 736048T  
 DEVICE No. 3TB56  
 No. OF POLES: 3

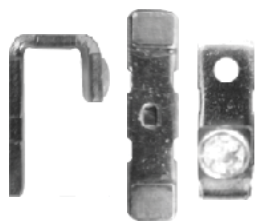
This document utilizes an interactive table of contents to help you jump from one section to another. Click the button to return to the table of contents.

**RETURN TO  
 TABLE OF CONTENTS**

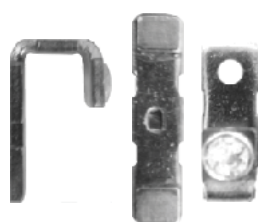
- VALUE--LINE
- 3TA SERIES
- WORLD SERIES FOR 3TB SERIES
- 3TF SERIES
- 3RT SIRIUS SERIES
- SPECIAL PURPOSE DC CONTACTORS



**SIEMENS**  
**3TF SERIRES**



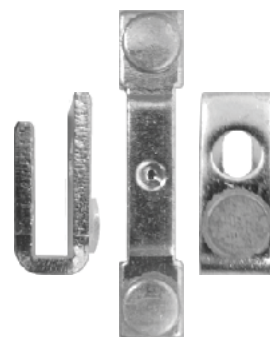
OEM No. 3TY7440-OA  
OCC No. 736052T  
DEVICE No. 3TF44  
No. OF POLES: 3



OEM No. 3TY7450-OA  
OCC No. 736054T  
DEVICE No. 3TF45  
No. OF POLES: 3



OEM No. 3TY7460-OA  
OCC No. 736056T  
DEVICE No. 3TF46  
No. OF POLES: 3



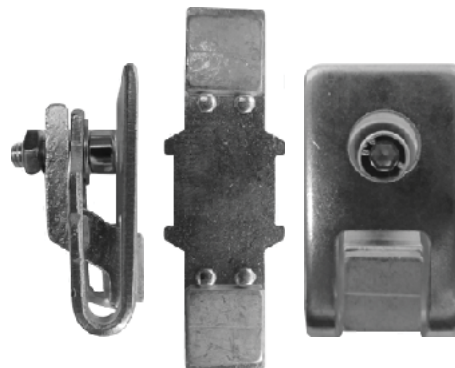
OEM No. 3TY7470-OA  
OCC No. 736058T  
DEVICE No. 3TF47  
No. OF POLES: 3



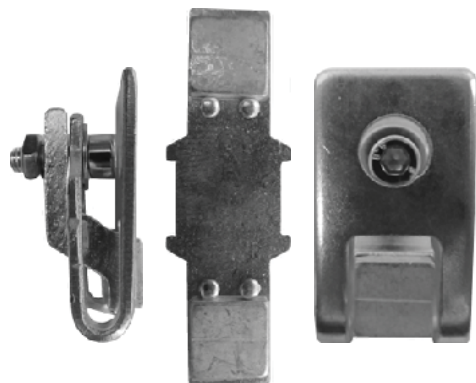
OEM No. 3TY7480-OA  
OCC No. 736060T  
DEVICE No. 3TF48  
No. OF POLES: 3



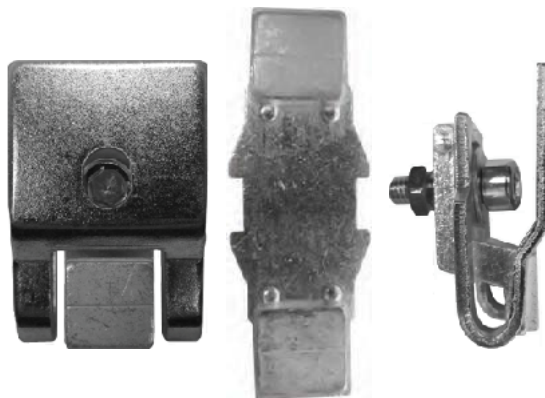
OEM No. 3TY7490-OA  
OCC No. 736062T  
DEVICE No. 3TF49  
No. OF POLES: 3



OEM No. 3TY7500-OA  
OCC No. 736064T  
DEVICE No. 3TF50  
No. OF POLES: 3



OEM No. 3TY7510-OA  
OCC No. 736066T  
DEVICE No. 3TF51  
No. OF POLES: 3

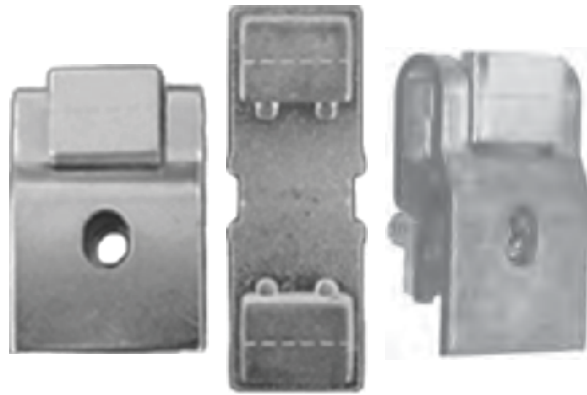


OEM No. 3TY7520-OA  
OCC No. 736068T  
DEVICE No. 3TF52  
No. OF POLES: 3

This document utilizes an interactive table of contents to help you jump from one section to another. Click the button to return to the table of contents.

**RETURN TO  
TABLE OF CONTENTS**

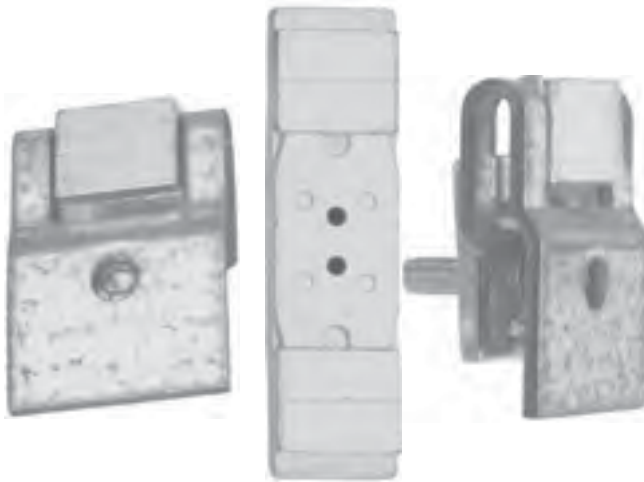
- VALUE--LINE
- 3TA SERIES
- WORLD SERIES FOR 3TB SERIES
- 3TF SERIES
- 3RT SIRIUS SERIES
- SPECIAL PURPOSE DC CONTACTORS



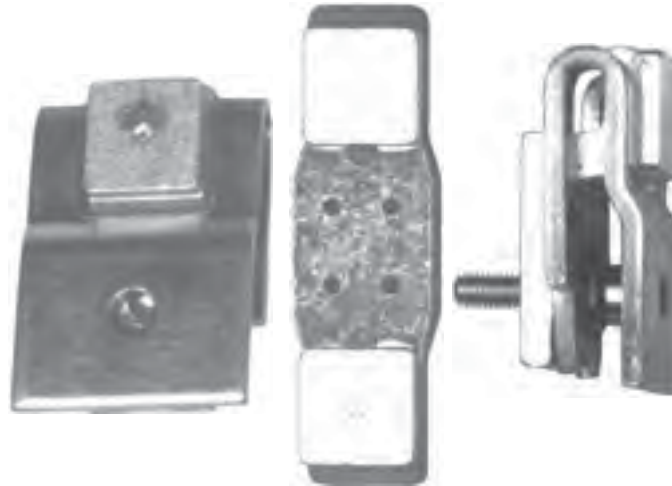
OEM No. 3TY7530-OA  
 OCC No. 736070T  
 DEVICE No. 3TF53  
 No. OF POLES: 3



OEM No. 3TY7540-OA  
 OCC No. 736072T  
 DEVICE No. 3TF54  
 No. OF POLES: 3



OEM No. 3TY7550-OA  
 OCC No. 736074T  
 DEVICE No. 3TF55  
 No. OF POLES: 3



OEM No. 3TY7560-OA  
 OCC No. 736076T  
 DEVICE No. 3TF56  
 No. OF POLES: 3



OEM No. 3TY7570-OA  
 OCC No. 736078T  
 DEVICE No. 3TF57  
 No. OF POLES: 3

This document utilizes an interactive table of contents to help you jump from one section to another. Click the button to return to the table of contents.

**RETURN TO  
 TABLE OF CONTENTS**

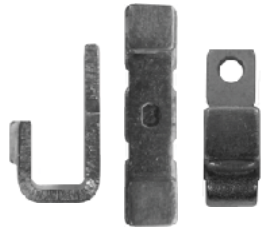
- VALUE--LINE
- 3TA SERIES
- WORLD SERIES FOR 3TB SERIES
- 3TF SERIES
- 3RT SIRIUS SERIES
- SPECIAL PURPOSE DC CONTACTORS



**SIEMENS**  
**3RT SIRIUS SERIES**



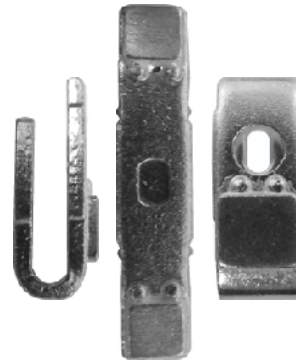
OEM No. 3RT1934-6A  
OCC No. 736150T  
DEVICE No. 3RT1033/34  
No. OF POLES: 3



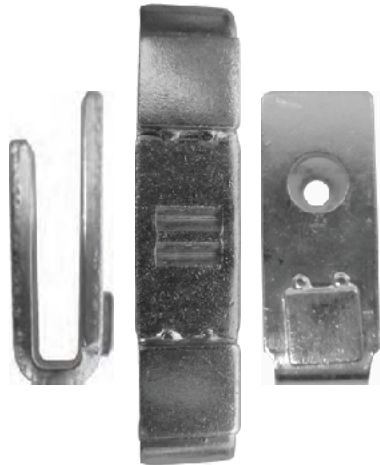
OEM No. 3RT1935/36-6A  
OCC No. 736146T  
DEVICE No. 3RT1035/36  
No. OF POLES: 3



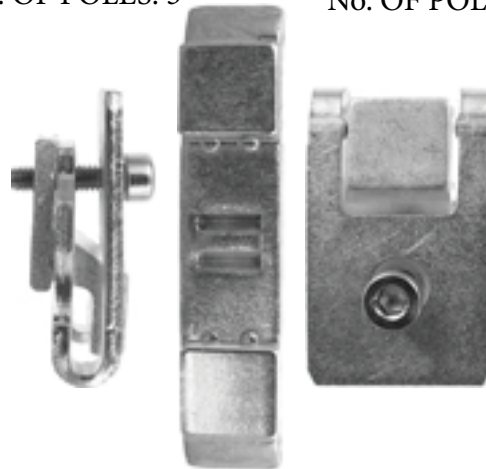
OEM No. 3RT1944-6A  
OCC No. 736152T  
DEVICE No. 3RT1044  
No. OF POLES: 3



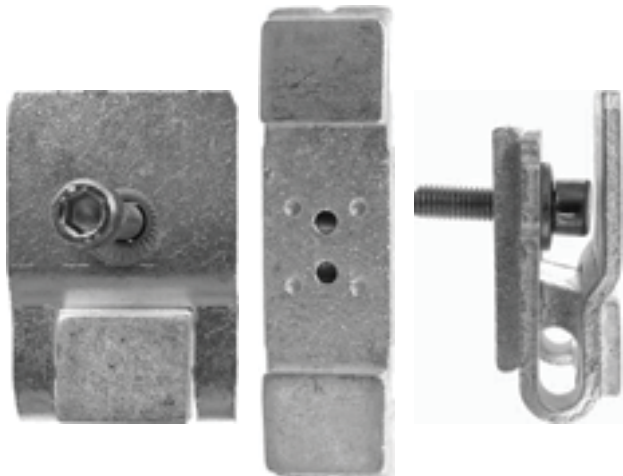
OEM No. 3RT1945/46-A  
OCC No. 736142T  
DEVICE No. 3RT1045/46  
No. OF POLES: 3



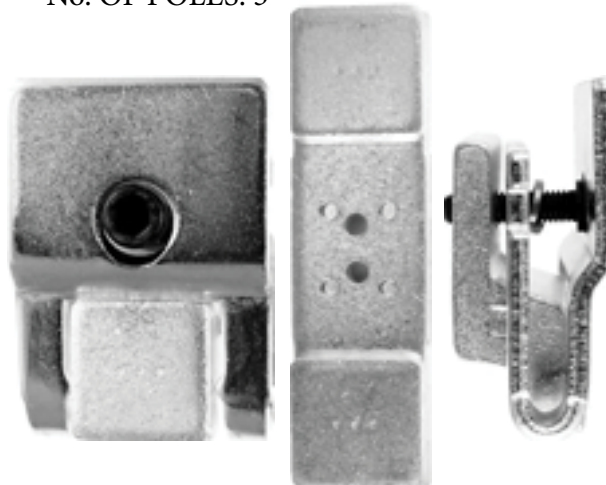
OEM No. 3RT1954-6A  
OCC No. 736144T  
DEVICE No. 3RT1054  
No. OF POLES: 3



OEM No. 3RT1955/56-6A  
OCC No. 736156T  
DEVICE No. 3RT1055/56  
No. OF POLES: 3



OEM No. 3RT1964/65/66-6A  
OCC No. 736158T  
DEVICE No. 3RT1064/65/66  
No. OF POLES: 3



OEM No. 3RT1975/76-6A  
OCC No. 736168T  
DEVICE No. 3RT1075/76  
No. OF POLES: 3

This document utilizes an interactive table of contents to help you jump from one section to another. Click the button to return to the table of contents.

**RETURN TO  
TABLE OF CONTENTS**

- VALUE--LINE
- 3TA SERIES
- WORLD SERIES FOR 3TB SERIES
- 3TF SERIES
- 3RT SIRIUS SERIES
- SPECIAL PURPOSE DC CONTACTORS

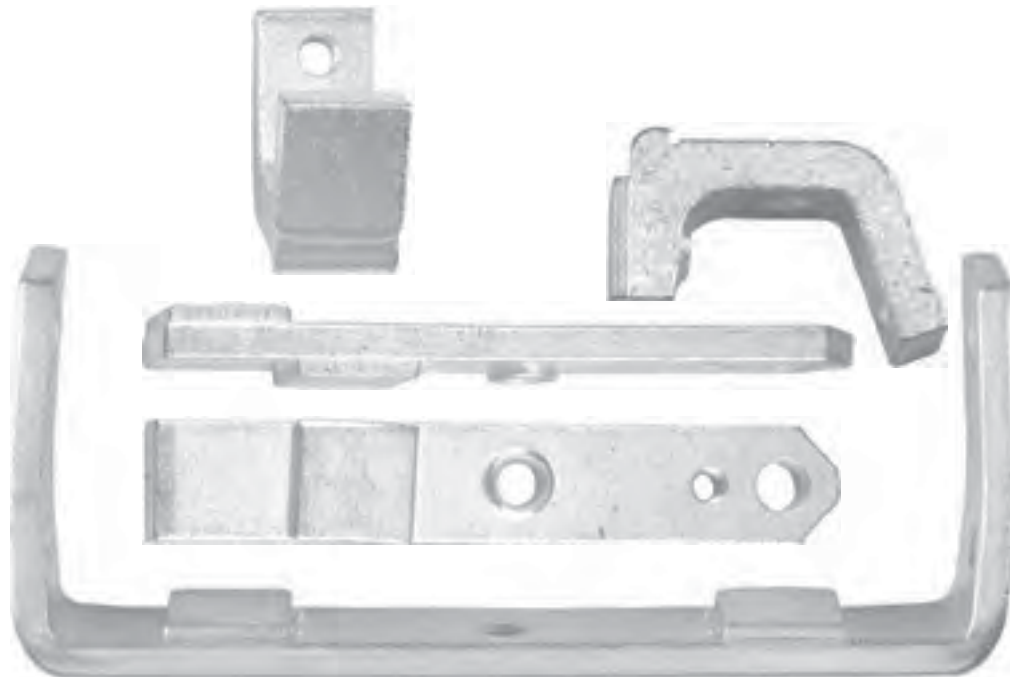
**SIEMENS**  
**SPECIAL PURPOSE DC CONTACTORS**



OEM No. 14-187-872-801  
OCC No. 736108T  
CONFIGURATION: SPNO



OEM No. 14-189-790-511  
OCC No. 736110T  
CONFIGURATION: SPNO  
AMPS: 400



OEM No. 14-192-887-803  
OCC No. 736112T  
CONFIGURATION: REV  
AMPS: 200

P. 800-310-5999 F. 330-648-2774  
sales@ohiocontact.com www.ohiocontact.com

This document utilizes an interactive table of contents to help you jump from one section to another. Click the button to return to the table of contents.

**RETURN TO  
TABLE OF CONTENTS**

- VALUE--LINE
- 3TA SERIES
- WORLD SERIES FOR 3TB SERIES
- 3TF SERIES
- 3RT SIRIUS SERIES
- SPECIAL PURPOSE DC CONTACTORS

## SQUARE D TABLE OF CONTENTS

| OEM NO. | OCC NO. | DESCRIPTION                    | PAGE |
|---------|---------|--------------------------------|------|
| SL-2    | 738430T | 3 POLE, SIZE-0                 | 105  |
| SL-3    | 738432T | 3 POLE, SIZE-1                 | 105  |
| SL-4    | 738434T | 3 POLE, SIZE-2                 | 105  |
| SL-7    | 738440T | 3 POLE, SIZE-3                 | 105  |
| SL-9    | 738444T | 3 POLE, SIZE-4                 | 105  |
| SL-11   | 738448T | 3 POLE, SIZE-5                 | 105  |
| SL-26   | 738520T | 3 POLE, SIZE-6                 | N/P  |
| DRC3    | 738636T | 1 POLE, DEVICE DPA33, 30 AMP   | 106  |
| DRC4    | 738562T | 1 POLE, DEVICE DPA43, 40 AMP   | 106  |
| DRC5    | 738640T | 1 POLE, DEVICE DPA53, 50 AMP   | 106  |
| DRC6    | 738642T | 1 POLE, DEVICE DPA63, 60 AMP   | 106  |
| DRC7    | 738644T | 1 POLE, DEVICE DPA73, 75 AMP   | 106  |
| DRC9    | 738646T | 1 POLE, DEVICE DPA93, 90 AMP   | 106  |
| DRC12   | 738648T | 1 POLE, DEVICE DPA123, 120 AMP | N/P  |
| SL-27   | 738650T | 3 POLE, DEVICE SYD138, 132 AMP | N/P  |
| SL-28   | 738652T | 3 POLE, DEVICE SYD230, 220 AMP | N/P  |
| SL-29   | 738654T | 3 POLE, DEVICE SYD368, 352 AMP | N/P  |
| BA-81   | 738098T | 3 POLE, SERIES: A, SIZE-0      | 107  |
| RA-81   | 738422T | 3 POLE, SERIES: PRE-A, SIZE-0  | 107  |
| SA-81   | 738428T | 3 POLE, SERIES: PRE-A, SIZE-1  | 107  |
| CA-81   | 738102T | 3 POLE, SERIES: A, B, SIZE-1   | 107  |
| TA-81   | 738476T | 3 POLE, SIZE-2                 | 107  |
| UA-81   | 738478T | 3 POLE, SIZE-3                 | 107  |
| FA-81   | 738194T | 3 POLE, SERIES: A, B, SIZE-4   | 108  |
| FA-82   | 738196T | 3 POLE, SERIES: C, SIZE-4      | 108  |
| GA-81   | 738198T | 3 POLE, SERIES: B, C, SIZE-5   | 108  |
| HA-81   | 738200T | 3 POLE, SERIES: A, SIZE-6      | N/P  |
| HA-82   | 738202T | 3 POLE, SERIES: B, C, SIZE-6   | N/P  |
| JA-81   | 738218T | 3 POLE, SERIES: A, SIZE-7      | N/P  |
| KA-81   | 738220T | 3 POLE, SIZE-8                 | N/P  |
| HC-1    | 738204T | 2 POLE, WIDTH-.40", SIZE-1     | 109  |
| HD-1    | 738206T | 2 POLE, WIDTH-.50", SIZE-2     | 109  |
| HE-1    | 738208T | 2 POLE, WIDTH-.56", SIZE-3     | 109  |
| HF-1    | 738210T | 2 POLE, WIDTH-.75", SIZE-4     | 109  |
| HG-1    | 738212T | 2 POLE, WIDTH-1.0", SIZE-5     | 109  |
| HH-1    | 738214T | 2 POLE, WIDTH-1.38", SIZE-6    | 109  |

**N/P- NOT PICTURED**

P. 800-310-5999 F. 330-648-2774  
sales@ohiocontact.com www.ohiocontact.com

This document utilizes an interactive table of contents to help you jump from one section to another. Click the button to return to the table of contents.

**RETURN TO  
TABLE OF CONTENTS**

- CURRENT STYLE
- DEFINITE PURPOSE CONTACTORS
- OLD STYLE
- CLASS 7004, TYPE H
- MISCELLANEOUS SINGLE CONTACTS
- TYPE M LINE, CLASS 8503 & 7004 CONTACTORS

This document utilizes an interactive table of contents to help you jump from one section to another. Click the button to return to the table of contents.

**RETURN TO  
TABLE OF CONTENTS**

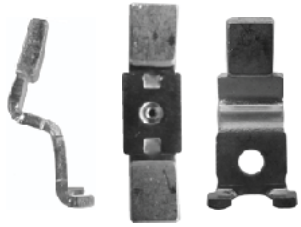
- CURRENT STYLE
- DEFINITE PURPOSE CONTACTORS
- OLD STYLE
- CLASS 7004, TYPE H
- MISCELLANEOUS SINGLE CONTACTS
- TYPE M LINE, CLASS 8503 & 7004 CONTACTORS

| OEM No.          | OCC No. | DESCRIPTION       | PAGE |
|------------------|---------|-------------------|------|
| B51016-225-50/52 | 738516T | SINGLE CONTACT    | 110  |
| B50005-072-02    | 738518T | SINGLE CONTACT    | 110  |
| A50005-115-02    | 738090T | SINGLE CONTACT    | 110  |
| A50005-006-001   | 738228T | SINGLE CONTACT    | 110  |
| A50005-120-02    | 738092T | SINGLE CONTACT    | 110  |
| A50005-006-02    | 738056T | SINGLE CONTACT    | 110  |
| A50005-010-01    | 738242T | SINGLE CONTACT    | 110  |
| A50005-017-01    | 738026T | SINGLE CONTACT    | 110  |
| A50005-025-50    | 738502T | SINGLE CONTACT    | 111  |
| A50005-015-01    | 738023T | SINGLE CONTACT    | 111  |
| A50005-040-02    | 738040T | SINGLE CONTACT    | 111  |
| SS-0751          | 738462T | SINGLE CONTACT    | 111  |
| SS-0755A         | 738466T | SINGLE CONTACT    | 111  |
| ZCX-60           | 738494T | SINGLE CONTACT    | 111  |
| EL-109A          | 738192T | SINGLE CONTACT    | 111  |
| EL-6A            | 738512T | SINGLE CONTACT    | 111  |
| EL-84A           | 738510T | SINGLE CONTACT    | 111  |
| CM-311A          | 750556T | SINGLE CONTACT    | 111  |
| RA-88            | 738426T | 3 POLE            | 111  |
| JA-2             | 738216T | 6 POLE            | 111  |
| MX-1             | 738280T | 2 POLE, SIZE-1, 2 | 112  |
| ME-1             | 738258T | 2 POLE, SIZE-3    | 112  |
| MF-1             | 738262T | 2 POLE, SIZE-4    | 112  |
| MG-1             | 738266T | 2 POLE, SIZE-5    | 112  |
| MH-1             | 738270T | 2 POLE, SIZE-6    | 113  |
| MJK-1            | 738274T | 2 POLE, SIZE-7, 8 | 113  |

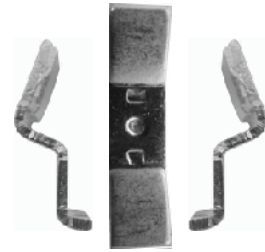




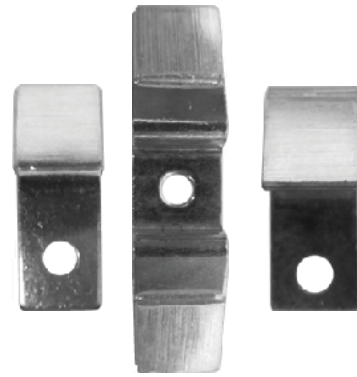
**SQUARE D**  
**CURRENT STYLE**



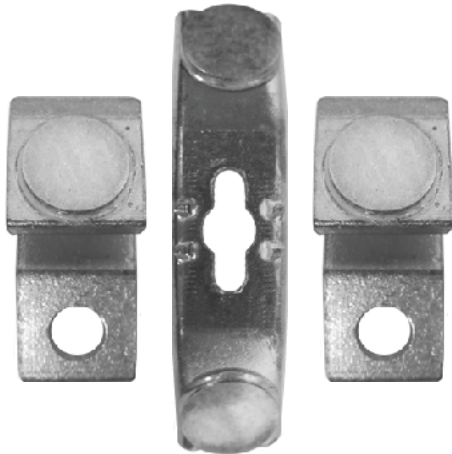
OEM No. SL-2  
 OCC No. 738430T  
 No. OF POLES: 3  
 SIZE: 0



OEM No. SL-3  
 OCC No. 738432T  
 No. OF POLES: 3  
 SIZE: 1



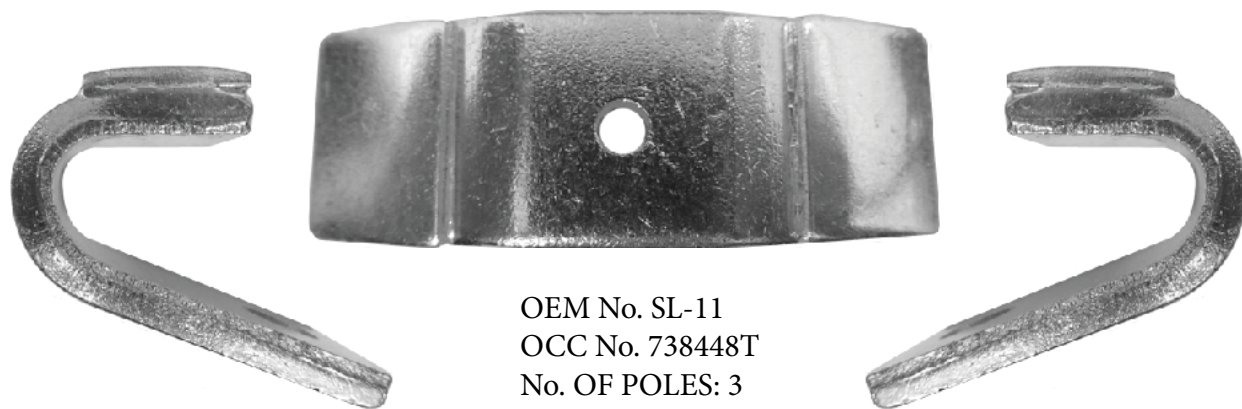
OEM No. SL-4  
 OCC No. 738434T  
 No. OF POLES: 3  
 SIZE: 2



OEM No. SL-7  
 OCC No. 738440T  
 No. OF POLES: 3  
 SIZE: 3



OEM No. SL-9  
 OCC No. 738444T  
 No. OF POLES: 3  
 SIZE: 4



OEM No. SL-11  
 OCC No. 738448T  
 No. OF POLES: 3  
 SIZE: 5

This document utilizes an interactive table of contents to help you jump from one section to another. Click the button to return to the table of contents.

**RETURN TO  
 TABLE OF CONTENTS**

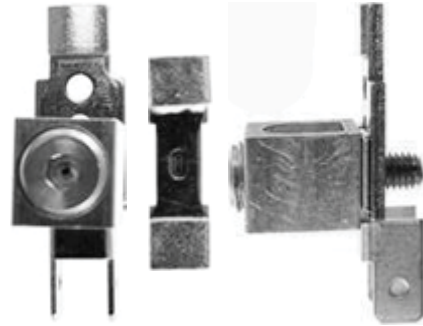
- CURRENT STYLE
- DEFINITE PURPOSE CONTACTORS
- OLD STYLE
- CLASS 7004, TYPE H
- MISCELLANEOUS SINGLE CONTACTS
- TYPE M LINE, CLASS 8503 & 7004 CONTACTORS



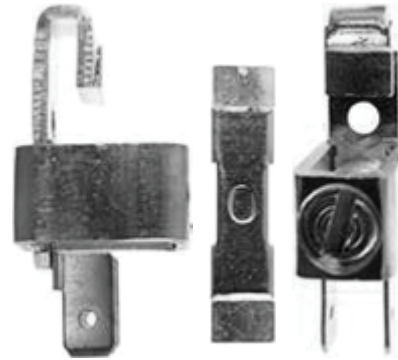
## SQUARE D DEFENITE PURPOSE CONTACTORS



OEM No. DRC3  
OCC No. 738636T  
DEVICE No. DPA33  
No. OF POLES: 1  
AMPS: 30



OEM No. DRC4  
OCC No. 738562T  
DEVICE No. DPA43  
No. OF POLES: 1  
AMPS: 40



OEM No. DRC5  
OCC No. 738640T  
DEVICE No. DPA53  
No. OF POLES: 1  
AMPS: 50



OEM No. DRC6  
OCC No. 738642T  
DEVICE No. DPA63  
No. OF POLES: 1  
AMPS: 60



OEM No. DRC7  
OCC No. 738644T  
DEVICE No. DPA73  
No. OF POLES: 1  
AMPS: 75



OEM No. DRC9  
OCC No. 738646T  
DEVICE No. DPA93  
No. OF POLES: 1  
AMPS: 90

This document utilizes an interactive table of contents to help you jump from one section to another. Click the button to return to the table of contents.

**RETURN TO  
TABLE OF CONTENTS**

- CURRENT STYLE
- DEFENITE PURPOSE CONTACTORS
- OLD STYLE
- CLASS 7004, TYPE H
- MISCELLANEOUS SINGLE CONTACTS
- TYPE M LINE, CLASS 8503 & 7004 CONTACTORS

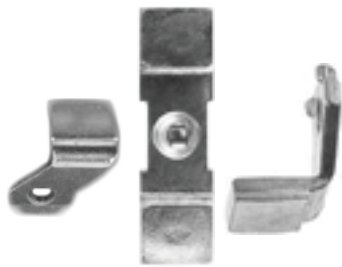
**SQUARE D**  
**OLD STYLE**



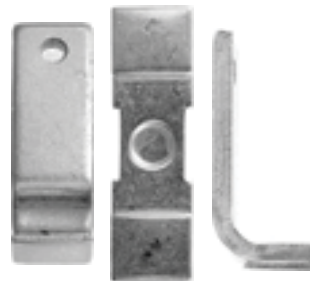
OEM No. BA-81  
OCC No. 738098T  
No. OF POLES: 3  
SERIES: A  
SIZE: 0



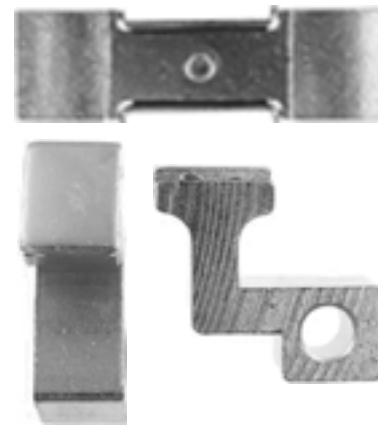
OEM No. RA-81  
OCC No. 738422T  
No. OF POLES: 3  
SERIES: PRE-A  
SIZE: 0



OEM No. SA-81  
OCC No. 738428T  
No. OF POLES: 3  
SERIES: PRE-A  
SIZE: 1



OEM No. CA-81  
OCC No. 738102T  
No. OF POLES: 3  
SERIES: A, B  
SIZE: 1



OEM No. TA-81  
OCC No. 738476T  
No. OF POLES: 3  
SIZE: 2

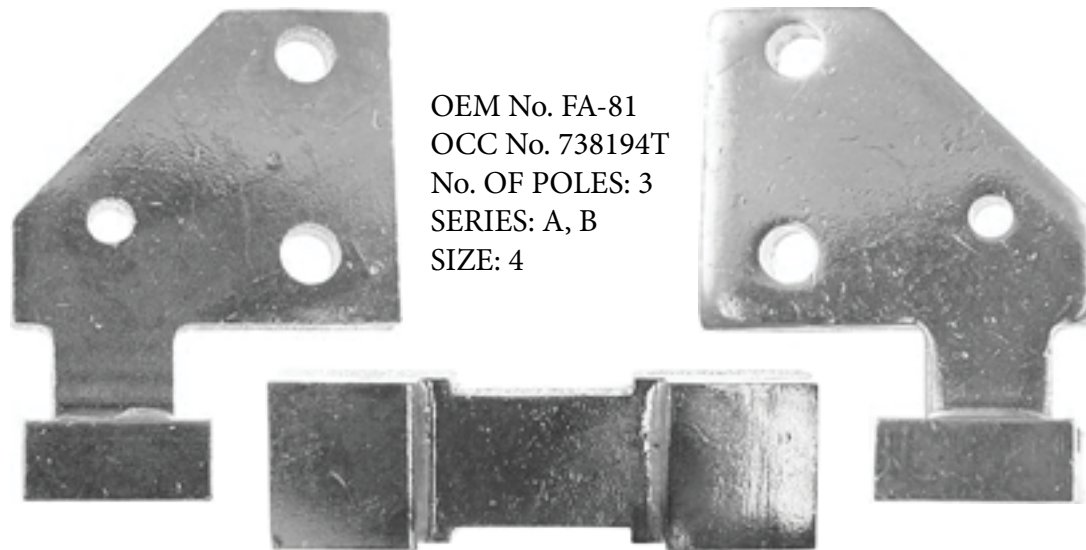


OEM No. UA-81  
OCC No. 738478T  
No. OF POLES: 3  
SIZE: 3

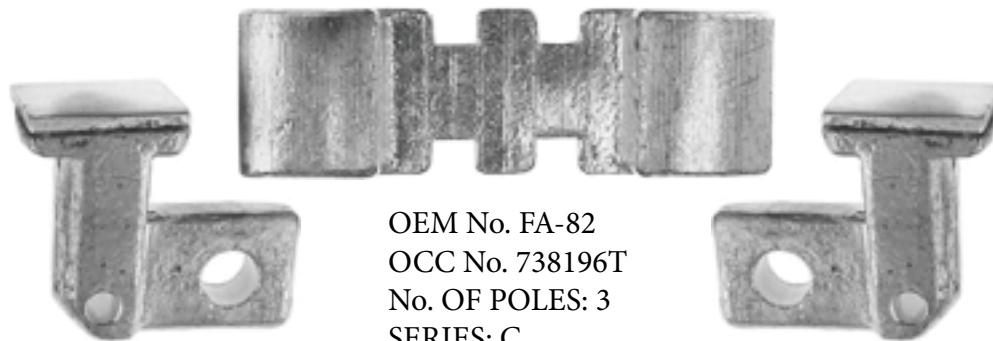
This document utilizes an interactive table of contents to help you jump from one section to another. Click the button to return to the table of contents.

**RETURN TO  
TABLE OF CONTENTS**

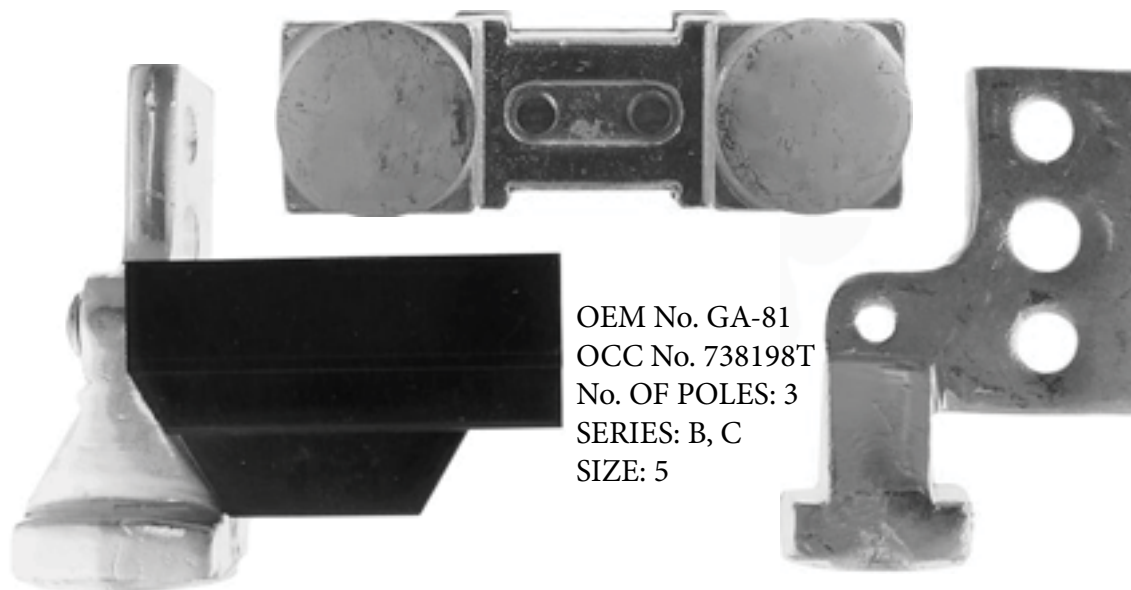
- CURRENT STYLE
- DEFINITE PURPOSE CONTACTORS
- OLD STYLE
- CLASS 7004, TYPE H
- MISCELLANEOUS SINGLE CONTACTS
- TYPE M LINE, CLASS 8503 & 7004 CONTACTORS



OEM No. FA-81  
OCC No. 738194T  
No. OF POLES: 3  
SERIES: A, B  
SIZE: 4



OEM No. FA-82  
OCC No. 738196T  
No. OF POLES: 3  
SERIES: C  
SIZE: 4



OEM No. GA-81  
OCC No. 738198T  
No. OF POLES: 3  
SERIES: B, C  
SIZE: 5

This document utilizes an interactive table of contents to help you jump from one section to another. Click the button to return to the table of contents.

**RETURN TO  
TABLE OF CONTENTS**

- CURRENT STYLE
- DEFENITE PURPOSE CONTACTORS
- OLD STYLE
- CLASS 7004, TYPE H
- MISCELLANEOUS SINGLE CONTACTS
- TYPE M LINE, CLASS 8503 & 7004 CONTACTORS

**SQUARE D**  
**CLASS 7004, TYPE H**



OEM No. HC-1  
 OCC No. 738204T  
 No. OF POLES: 2  
 WIDTH: .40"  
 SIZE: 1



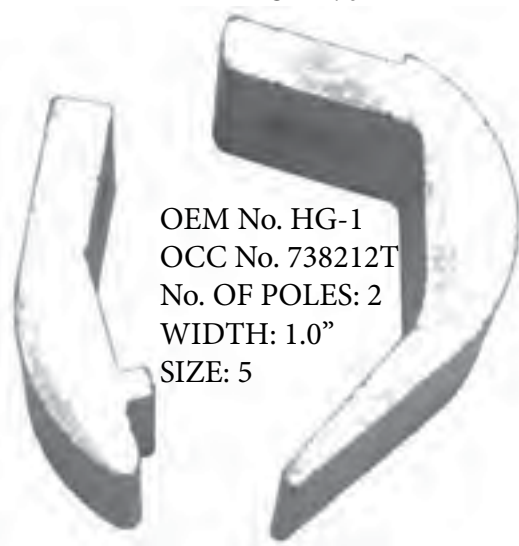
OEM No. HD-1  
 OCC No. 738206T  
 No. OF POLES: 2  
 WIDTH: .50"  
 SIZE: 2



OEM No. HE-1  
 OCC No. 738208T  
 No. OF POLES: 2  
 WIDTH: .56"  
 SIZE: 3



OEM No. HF-1  
 OCC No. 738210T  
 No. OF POLES: 2  
 WIDTH: .75"  
 SIZE: 4



OEM No. HG-1  
 OCC No. 738212T  
 No. OF POLES: 2  
 WIDTH: 1.0"  
 SIZE: 5



OEM No. HH-1  
 OCC No. 738214T  
 No. OF POLES: 1  
 WIDTH: 1.38"  
 SIZE: 6

This document utilizes an interactive table of contents to help you jump from one section to another. Click the button to return to the table of contents.

**RETURN TO  
 TABLE OF CONTENTS**

- CURRENT STYLE
- DEFENITE PURPOSE CONTACTORS
- OLD STYLE
- CLASS 7004, TYPE H
- MISCELLANEOUS SINGLE CONTACTS
- TYPE M LINE, CLASS 8503 & 7004 CONTACTORS



**SQUARE D**  
**MISCELLANEOUS SINGLE CONTACTS**



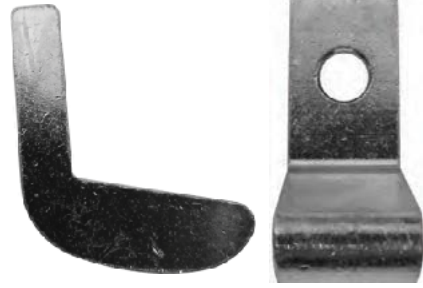
OEM No. B51016-225-50/52  
OCC No. 738516T



OEM No. B50005-072-02  
OCC No. 738518T



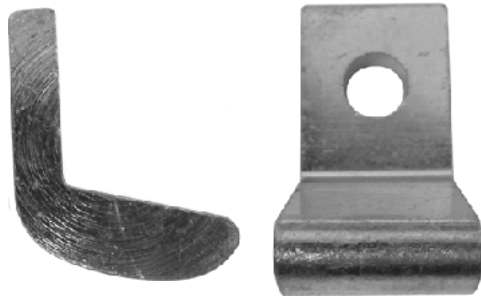
OEM No. A50005-115-02  
OCC No. 738090T



OEM No. A50005-006-01  
OCC No. 738228T



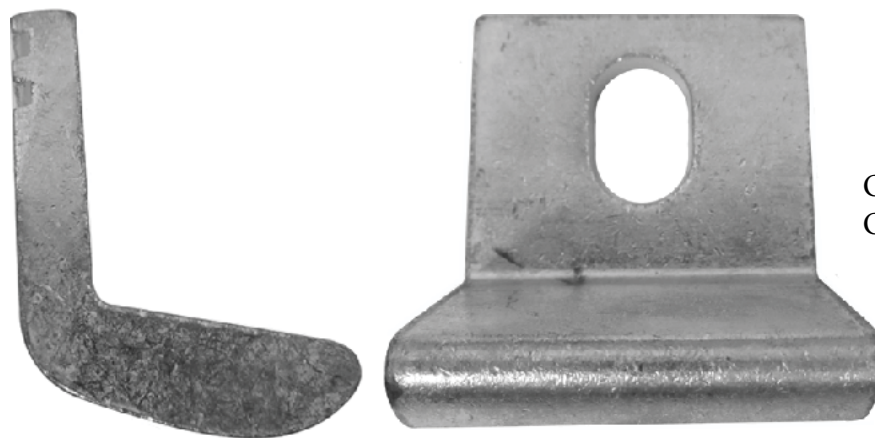
OEM No. A50005-120-02  
OCC No. 738092T



OEM No. A50005-006-02  
OCC No. 738506T



OEM No. A50005-010-01  
OCC No. 738242T



OEM No. A50005-017-01  
OCC No. 738026T

This document utilizes an interactive table of contents to help you jump from one section to another. Click the button to return to the table of contents.

**RETURN TO  
TABLE OF CONTENTS**

- CURRENT STYLE
- DEFENITE PURPOSE CONTACTORS
- OLD STYLE
- CLASS 7004, TYPE H
- MISCELLANEOUS SINGLE CONTACTS
- TYPE M LINE, CLASS 8503 & 7004 CONTACTORS



OEM No. A50005-025-50  
OCC No. 738502T



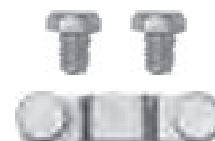
OEM No. SS-0751  
OCC No. 738462T



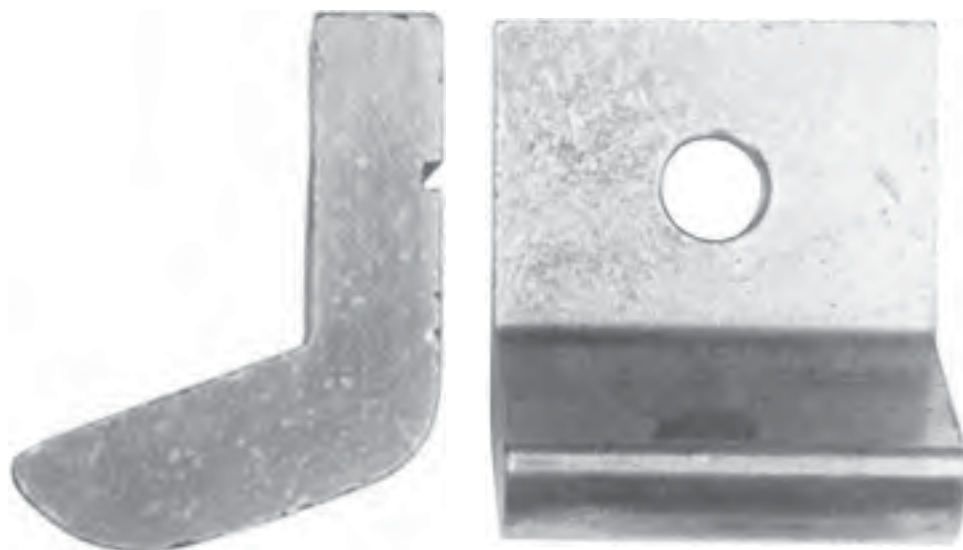
OEM No. CM-311A  
OCC No. 750556T



OEM No. EL-109A  
OCC No. 738192T  
SINGLE CONTACT



OEM No. RA-88  
OCC No. 738426T  
No. OF POLES: 3



OEM No. A50005-015-01  
OCC No. 738023T



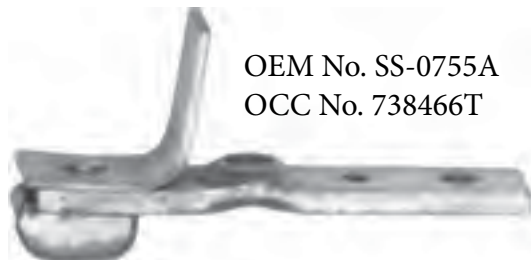
OEM No. A50005-040-02  
OCC No. 738040T



OEM No. ZCX-60  
OCC No. 738494T



OEM No. EL-6A  
OCC No. 738512T  
SINGLE CONTACT



OEM No. SS-0755A  
OCC No. 738466T



OEM No. EL-84A  
OCC No. 738510T  
SINGLE CONTACT



OEM No. JA-2  
OCC No. 738216T  
No. OF POLES: 6

This document utilizes an interactive table of contents to help you jump from one section to another. Click the button to return to the table of contents.

## RETURN TO TABLE OF CONTENTS

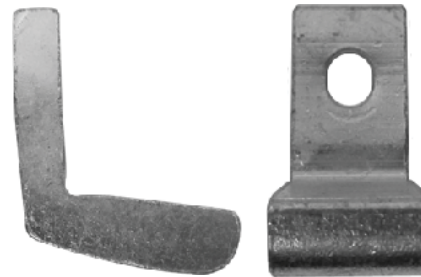
- CURRENT STYLE
- DEFENITE PURPOSE CONTACTORS
- OLD STYLE
- CLASS 7004, TYPE H
- MISCELLANEOUS SINGLE CONTACTS
- TYPE M LINE, CLASS 8503 & 7004 CONTACTORS



**SQUARE D**  
**TYPE M LINE, CLASS 8503 & 7004 CONTACTORS**



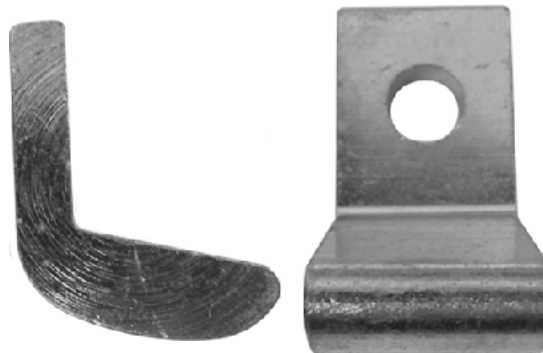
OEM No. MX-1  
OCC No. 738280T  
No. OF POLES: 2  
SIZE: 1, 2



OEM No. ME-1  
OCC No. 738258T  
No. OF POLES: 2  
SIZE: 3



OEM No. MF-1  
OCC No. 738262T  
No. OF POLES 2  
SIZE: 4

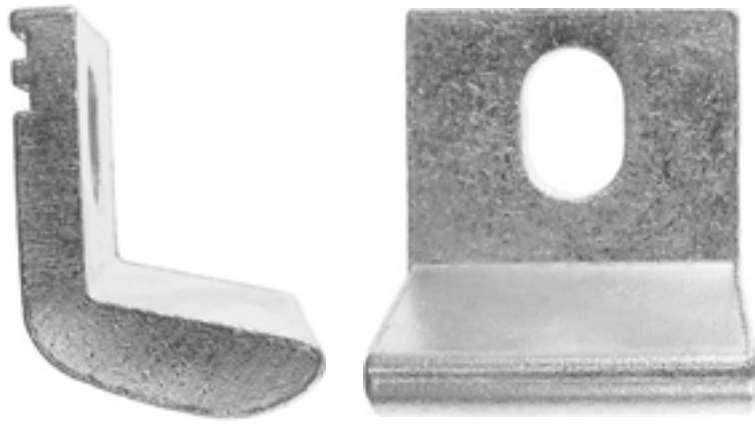


OEM No. MG-1  
OCC No. 738266T  
No. OF POLES: 2  
SIZE: 5

This document utilizes an interactive table of contents to help you jump from one section to another. Click the button to return to the table of contents.

**RETURN TO  
TABLE OF CONTENTS**

- CURRENT STYLE
- DEFENITE PURPOSE CONTACTORS
- OLD STYLE
- CLASS 7004, TYPE H
- MISCELLANEOUS SINGLE CONTACTS
- TYPE M LINE, CLASS 8503 & 7004 CONTACTORS



OEM No. MH-1  
OCC No. 738270  
No. OF POLES: 2  
SIZE: 6



OEM No. MJK-1  
OCC No. 738274T  
No. OF POLES: 2  
SIZE: 7, 8



This document utilizes an interactive table of contents to help you jump from one section to another. Click the button to return to the table of contents.

**RETURN TO  
TABLE OF CONTENTS**

- CURRENT STYLE
- DEFENITE PURPOSE CONTACTORS
- OLD STYLE
- CLASS 7004, TYPE H
- MISCELLANEOUS SINGLE CONTACTS
- TYPE M LINE, CLASS 8503 & 7004 CONTACTORS

## STROMBERG TABLE OF CONTENTS

| OEM No.  | OCC No. | DESCRIPTION                       | PAGE |
|----------|---------|-----------------------------------|------|
| OKYZX-31 | 766014T | 3 POLE, DEVICE OK2/OKYM-2, SIZE-2 | 116  |
| OKYZX-32 | 766016T | 3 POLE, DEVICE OK3/OKYM-3, SIZE-3 | 116  |
| OKYZX-20 | 766006T | 3 POLE, DEVICE OK4/OKYM-4, SIZE-4 | 116  |
| OKYZX-22 | 766018T | 3 POLE, DEVICE OK5/OKYM-5, SIZE-5 | 116  |
| OKYZX-24 | 766020T | 3 POLE, DEVICE OK6/OKYM-6, SIZE-6 | 117  |
| OKYZX-33 | 766022T | 3 POLE, DEVICE OK7/OKYM-7, SIZE-7 | 117  |

This document utilizes an interactive table of contents to help you jump from one section to another. Click the button to return to the table of contents.

[RETURN TO  
TABLE OF CONTENTS](#)



## STROMBERG



OEM No. OKYZX-31  
OCC No. 766014T  
DEVICE No. OK2, OKYM-2  
No. OF POLES: 3  
SIZE: 2



OEM No. OKYZX-32  
OCC No. 766016T  
DEVICE No. OK3, OKYM-3  
No. OF POLES: 3  
SIZE: 3



OEM No. OKYZX-20  
OCC No. 766006T  
DEVICE No. OK4, OKYM-4  
SIZE: 4  
No. OF POLES: 3



OEM No. OKYZX-22  
OCC No. 766018T  
DEVICE No. OK5, OKYM-5  
No. OF POLES: 3  
SIZE: 5

This document utilizes an interactive table of contents to help you jump from one section to another. Click the button to return to the table of contents.

[RETURN TO  
TABLE OF CONTENTS](#)



This document utilizes an interactive table of contents to help you jump from one section to another. Click the button to return to the table of contents.

[RETURN TO TABLE OF CONTENTS](#)



OEM No. OKYZX-24  
OCC No. 766020T  
DEVICE No. OK6, OKYM-6  
No. OF POLES: 3  
SIZE: 6



OEM No. OKYZX-33  
OCC No. 766022T  
DEVICE No. OK7, OKYM-7  
No. OF POLES: 3  
SIZE: 7

**2 MOVABLE & 4 STATIONARY CONTACTS PER POLE**



## TELEMECANIQUE TABLE OF CONTENTS

| OEM No.     | OCC No. | DESCRIPTION                        | PAGE |
|-------------|---------|------------------------------------|------|
| G203C       | 740008T | 3 POLE, SIZE-1                     | 120  |
| G203D       | 740010T | 3 POLE, SIZE-2                     | 120  |
| G203E       | 740012T | 3 POLE, SIZE-3                     | 120  |
| G203F       | 740014T | 3 POLE, SIZE-4                     | 120  |
| G203G       | 740016T | 3 POLE, SIZE-5                     | 120  |
| CN1-FC803   | 740056T | 3 POLE, TYPE-FC                    | 121  |
| CN1-GC803   | 740058T | 3 POLE, TYPE-GC                    | 121  |
| CN1-HC803   | 740060T | 3 POLE, TYPE-HC                    | 121  |
| CN1-JC803   | 740062T | 3 POLE, TYPE-JC                    | 121  |
| CN2-FC803   | 740002T | 3 POLE, TYPE-FC                    | 122  |
| CN2-GC803   | 740004T | 3 POLE, TYPE-GC                    | 122  |
| CN2-HC803   | 740006T | 3 POLE, TYPE-HC                    | 122  |
| LA5-FF431   | 740020T | 3 POLE, DEVICE LC1FF43/ F115/ F150 | 123  |
| LA5-FG431   | 740022T | 3 POLE, DEVICE LC1FG43/ F185       | 123  |
| LA5-FH431   | 740024T | 3 POLE, DEVICE LC1FH43/ F265       | 123  |
| LA5-FJ431   | 740026T | 3 POLE, DEVICE LC1FJ43             | 123  |
| LA5-F400803 | 740026T | 3 POLE, DEVICE LC1F330/ F400       | 123  |
| LA5-FK431   | 740028T | 3 POLE, DEVICE LC1FK43             | 124  |
| LA5-FL431   | 740054T | 3 POLE, DEVICE LC1FL43             | 124  |
| LA5-F500803 | 740028T | 3 POLE, DEVICE LC1F500             | 124  |
| LA5-F630803 | 740054T | 3 POLE, DEVICE LC1F630             | 124  |
| PN1-EA80    | 740078T | 1 POLE, TYPE-EA                    | 125  |
| PN1-FB80    | 740080T | 1 POLE, TYPE-FB                    | 125  |
| PN1-GB80    | 740046T | 1 POLE, TYPE-GB                    | 125  |
| PN1-HB80    | 740048T | 1 POLE, TYPE-HB                    | 125  |
| PN1-JB80    | 740050T | 1 POLE, TYPE-JB                    | 125  |
| PN1-KB80    | 740052T | 1 POLE, TYPE-KB                    | 125  |
| PA2-FB80    | 740090T | 1 POLE, TYPE-FB                    | 126  |
| PA2-GB80    | 740092T | 1 POLE, TYPE-GB                    | 126  |
| PA2-HB80    | 740094T | 1 POLE, TYPE-HB                    | 126  |

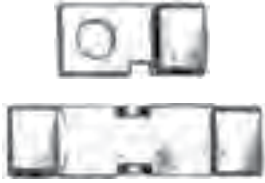
This document utilizes an interactive table of contents to help you jump from one section to another. Click the button to return to the table of contents.

**RETURN TO  
TABLE OF CONTENTS**

- OLD STYLE
- CN1 SERIES
- CN2 SERIES
- LC1 SERIES
- PN1 SERIES
- PA2 SERIES



## TELEMECANIQUE OLD STYLE



OEM No. G203C  
OCC No. 740008T  
No. OF POLES: 3  
SIZE: 1



OEM No. G203D  
OCC No. 740010T  
No. OF POLES: 3  
SIZE: 2



OEM No. G203E  
OCC No. 740012T  
No. OF POLES: 3  
SIZE: 3



OEM No. G203F  
OCC No. 740014T  
No. OF POLES: 3  
SIZE: 4



OEM No. G203G  
OCC No. 740016T  
No. OF POLES: 3  
SIZE: 5

This document utilizes an interactive table of contents to help you jump from one section to another. Click the button to return to the table of contents.

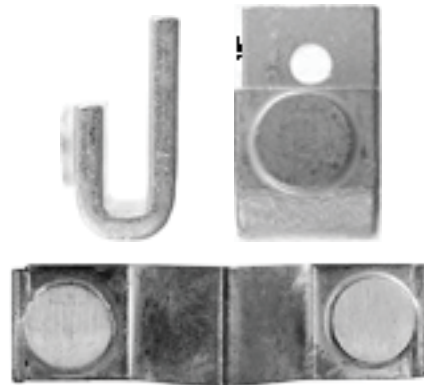
[RETURN TO  
TABLE OF CONTENTS](#)

- OLD STYLE
- CN1 SERIES
- CN2 SERIES
- LC1 SERIES
- PN1 SERIES
- PA2 SERIES

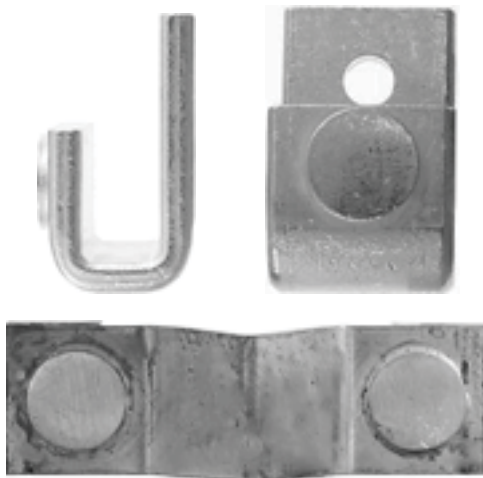
## TELEMECANIQUE CN1 SERIES



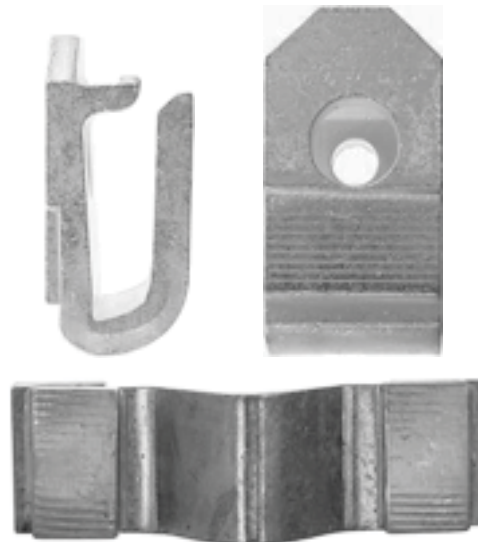
OEM No. CN1-FC803  
OCC No. 740056T  
No. OF POLES: 3  
TYPE: FC



OEM No. CN1-GC803  
OCC No. 740058T  
No. OF POLES: 3  
TYPE: GC



OEM No. CN1-HC803  
OCC No. 740060T  
No. OF POLES: 3  
TYPE: HC



OEM No. CN1-JC803  
OCC No. 740062T  
No. OF POLES: 3  
TYPE: JC

This document utilizes an interactive table of contents to help you jump from one section to another. Click the button to return to the table of contents.

[RETURN TO  
TABLE OF CONTENTS](#)

- OLD STYLE
- CN1 SERIES
- CN2 SERIES
- LC1 SERIES
- PN1 SERIES
- PA2 SERIES

## TELEMECANIQUE

### CN2 SERIES



OEM No. CN2-FC803  
OCC No. 740002T  
No. OF POLES: 3  
TYPE: FC



OEM No. CN2-GC803  
OCC No. 740004T  
No. OF POLES: 3  
TYPE: GC



OEM No. CN2-HC803  
OCC No. 740006T  
No. OF POLES: 3  
TYPE: HC

This document utilizes an interactive table of contents to help you jump from one section to another. Click the button to return to the table of contents.

**RETURN TO  
TABLE OF CONTENTS**

- OLD STYLE
- CN1 SERIES
- CN2 SERIES
- LC1 SERIES
- PN1 SERIES
- PA2 SERIES



## TELEMECANIQUE

### LC1 SERIES



OEM No. LA5-FF431  
OCC No. 740020T  
DEVICE No. LC1FF43, F115, F150  
No. OF POLES: 3



OEM No. LA5-FG431  
OCC No. 740022T  
DEVICE No. LC1FG43, F185  
No. OF POLES: 3



OEM No. LA5-FH431  
OCC No. 740024T  
DEVICE No. LC1FH43, F265  
No. OF POLES: 3



OEM No. LA5-FJ431/ LA5-F400803  
OCC No. 740026T  
DEVICE No. LC1FJ43, LC1F330, F400  
No. OF POLES: 3

This document utilizes an interactive table of contents to help you jump from one section to another. Click the button to return to the table of contents.

[RETURN TO  
TABLE OF CONTENTS](#)

- OLD STYLE
- CN1 SERIES
- CN2 SERIES
- LC1 SERIES
- PN1 SERIES
- PA2 SERIES



OEM No. LA5-FK431/ LA5-F500803  
OCC No. 740028T  
DEVICE No. LC1FK43, LC1F500  
No. OF POLES: 3



OEM No. LA5-FL431/ LA5-F630803  
OCC No. 740054T  
DEVICE No. LC1FL43, LC1F630  
No. OF POLES: 3

P. 800-310-5999 F. 330-648-2774  
sales@ohiocontact.com www.ohiocontact.com

This document utilizes an interactive table of contents to help you jump from one section to another. Click the button to return to the table of contents.

[RETURN TO  
TABLE OF CONTENTS](#)

- OLD STYLE
- CN1 SERIES
- CN2 SERIES
- LC1 SERIES
- PN1 SERIES
- PA2 SERIES

## TELEMECANIQUE PN1 SERIES



OEM No. PN1-EA80  
OCC No. 740078T  
No. OF POLES: 1  
TYPE: EA



OEM No. PN1-FB80  
OCC No. 740080T  
No. OF POLES: 1  
TYPE: FB



OEM No. PN1-GB80  
OCC No. 740046T  
No. OF POLES: 1  
TYPE: GB



OEM No. PN1-HB80  
OCC No. 740048T  
No. OF POLES: 1  
TYPE: HB



OEM No. PN1-JB80  
OCC No. 740050T  
No. OF POLES: 1  
TYPE: JB



OEM No. PN1-KB80  
OCC No. 740052T  
No. OF POLES: 1  
TYPE: KB

This document utilizes an interactive table of contents to help you jump from one section to another. Click the button to return to the table of contents.

[RETURN TO  
TABLE OF CONTENTS](#)

- OLD STYLE
- CN1 SERIES
- CN2 SERIES
- LC1 SERIES
- PN1 SERIES
- PA2 SERIES

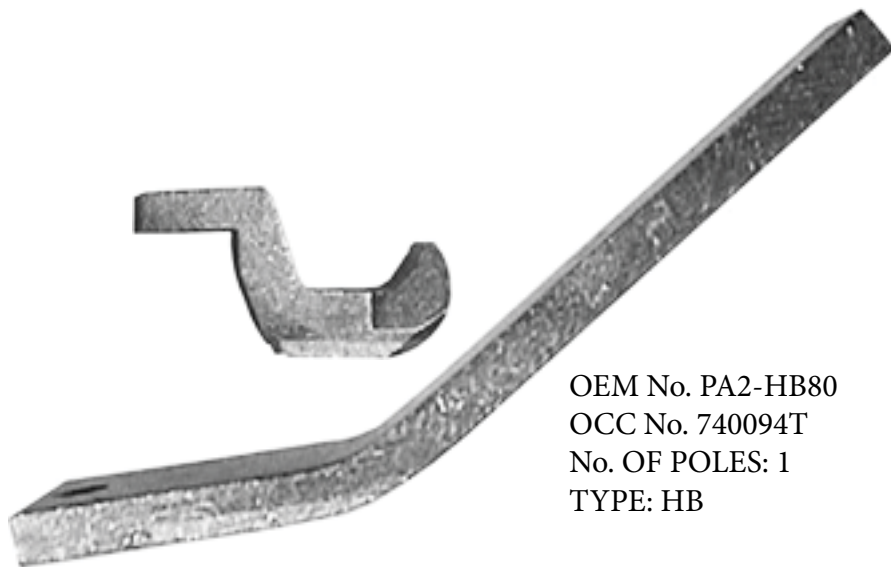
## TELEMECANIQUE PA2 SERIES



OEM No. PA2-FB80  
OCC No. 740090T  
No. OF POLES: 1  
TYPE: FB



OEM No. PA2-GB80  
OCC No. 740092T  
No. OF POLES: 1  
TYPE: GB



OEM No. PA2-HB80  
OCC No. 740094T  
No. OF POLES: 1  
TYPE: HB

This document utilizes an interactive table of contents to help you jump from one section to another. Click the button to return to the table of contents.

[RETURN TO  
TABLE OF CONTENTS](#)

- OLD STYLE
- CN1 SERIES
- CN2 SERIES
- LC1 SERIES
- PN1 SERIES
- PA2 SERIES



## WESTINGHOUSE TABLE OF CONTENTS

| OEM No.    | OCC No. | DESCRIPTION                           | PAGE |
|------------|---------|---------------------------------------|------|
| 373B331G18 | 746257T | 4 POLE, SIZE-00                       | 130  |
| 373B331G04 | 746244T | 4 POLE, SIZE-0                        | 130  |
| 373B331G07 | 746246T | 2 POLE, SIZE-1                        | 130  |
| 373B331G09 | 746248T | 4 POLE, SIZE-1                        | 130  |
| 373B331G10 | 746256T | 5 POLE, SIZE-1                        | 130  |
| 373B331G11 | 746250T | 2 POLE                                | 131  |
| 373B331G12 | 746252T | 3 POLE                                | 131  |
| 373B331G13 | 746254T | 4 POLE                                | 131  |
| 373B331G14 | 746256T | 5 POLE                                | 131  |
| 626B187G12 | 746308T | 2 POLE, SIZE-3                        | 131  |
| 626B187G13 | 746310T | 3 POLE, SIZE-3                        | 131  |
| 626B187G14 | 746312T | 4 POLE, SIZE-3                        | 131  |
| 626B187G15 | 746314T | 5 POLE, SIZE-3                        | 131  |
| 626B187G16 | 746316T | 2 POLE, SIZE-4, MODEL J               | 131  |
| 626B187G17 | 746318T | 3 POLE, SIZE-4, MODEL J               | 131  |
| 626B187G18 | 746320T | 4 POLE, SIZE-4, MODEL J               | 131  |
| 626B187G19 | 746322T | 5 POLE, SIZE-4, MODEL J               | 131  |
| 5250C81G17 | 746294T | 3 POLE, SIZE-4, MODEL K               | 131  |
| 477B477G05 | 746278T | 1 POLE, SIZE-5                        | 131  |
| 2066A10G11 | 746158T | 1 POLE, WIDTH-1.0"                    | 132  |
| 217A700G15 | 746170T | 1 POLE, WIDTH-1.0"                    | 132  |
| 461A757G17 | 746268T | 1 POLE, SIZE-7                        | 133  |
| 646C829G05 | 746324T | 1 POLE, SIZE-8                        | 133  |
| 1620145    | 746098T | 2 POLE, SIZE-5                        | 133  |
| 1620146    | 746100T | 3 POLE, SIZE-5                        | 133  |
| 1605212    | 746096T | 3 POLE, SIZE-1                        | 134  |
| 1605202    | 746094T | 3 POLE, SIZE-2                        | 134  |
| 1625563    | 746102T | 3 POLE, SIZE-3                        | 134  |
| 1625564    | 746104T | 3 POLE, SIZE-4                        | 134  |
| 180C180G02 | 746142T | 3 POLE, 35 AMP                        | 135  |
| 180C180G06 | 746146T | 3 POLE, 100 AMP                       | 135  |
| 672B839G02 | 746342T | 3 POLE, 250 AMP, MODEL A              | 135  |
| 672B839G22 | 746338T | 3 POLE, 250 AMP, MODEL B              | 135  |
| 26D2610G21 | 746198T | 1 POLE, DEVICE MD301/401, 100/150 AMP | 136  |
| 26D2610G14 | 746186T | 1 POLE, DEVICE MD310/410, 100/150 AMP | 136  |
| 26D2610G22 | 746200T | 1 POLE, DEVICE MD501/501R, 300 AMP    | 136  |
| 26D2610G15 | 746188T | 1 POLE, DEVICE MD510, 300 AMP         | 136  |
| 26D2610G16 | 746190T | 1 POLE, DEVICE MD610, 900 AMP         | 136  |
| 26D2610G23 | 746202T | 1 POLE, DEVICE MD601, 900 AMP         | 137  |
| 26D2610G24 | 746204T | 1 POLE, DEVICE MD701/710, 900 AMP     | 137  |
| 26D2610G18 | 746192T | 1 POLE, DEVICE MD810, 1350 AMP        | 137  |
| 26D2610G19 | 746194T | 1 POLE, DEVICE MD810R, 1350 AMP       | 137  |
| 1486802    | 746062T | SINGLE CONTACT OF 26D2610G14          | 136  |
| 1486803    | 746064T | SINGLE CONTACT OF 26D2610G15          | 136  |
| 1486804    | 746066T | SINGLE CONTACT OF 26D2610G16          | 136  |
| 1486805    | 746068T | SINGLE CONTACT OF 26D2610G18          | 137  |

This document utilizes an interactive table of contents to help you jump from one section to another. Click the button to return to the table of contents.

**RETURN TO  
TABLE OF CONTENTS**

- A200 SERIES
- SIZE 6
- TYPE GPD
- TYPE NF
- TYPE N—LIFELINE SERIES
- DPCK SERIES
- MD SERIES
- MD & MME SERIES
- ADVANTAGE SERIES
- MISCELLANEOUS

This document utilizes an interactive table of contents to help you jump from one section to another. Click the button to return to the table of contents.

**RETURN TO  
TABLE OF CONTENTS**

- A200 SERIES
- SIZE 6
- TYPE GPD
- TYPE NF
- TYPE N—LIFELINE SERIES
- DPCK SERIES
- MD SERIES
- MD & MME SERIES
- ADVANTAGE SERIES
- MISCELLANEOUS

| OEM No.    | OCC No. | DESCRIPTION                                    | PAGE |
|------------|---------|--|------|
| 218A10G14  | 746172T | 1 POLE, TYPE-MME, 10-150 AMP, WIDTH-9/16"      | 138  |
| 26D2610G20 | 746196T | 1 POLE, TYPE-MD-910, 2500 AMP                  | 138  |
| WCK13      | 746002T | 3 POLE, SIZE-1                                 | 139  |
| WCK23      | 746004T | 3 POLE, SIZE-2                                 | 139  |
| WCK33      | 746006T | 3 POLE, SIZE-3                                 | 139  |
| WCK43      | 746008T | 3 POLE, SIZE-4                                 | 139  |
| WCK53      | 746010T | 3 POLE, SIZE-5                                 | 139  |
| WCK63      | 746011T | 3 POLE, SIZE-6                                 | 139  |
| 180C180G02 | 746142T | 3 POLE, 35 AMP                                 | N/P  |
| 180C180G06 | 746146T | 3 POLE, 100 AMP                                | N/P  |
| 672B839G02 | 746338T | 3 POLE, 250 AMP                                | N/P  |
| 672B839G22 | 746342T | 3 POLE, 250 AMP                                | N/P  |
| 2147A22G01 | 746160T | 3 POLE, TYPE-LF, 200 AMP, WIDTH-3/4"           | N/P  |
| 2147A42G01 | 746162T | 3 POLE, TYPE-LF, 400 AMP, WIDTH-1"             | N/P  |
| 2147A72G01 | 746164T | 3 POLE, TYPE-LF, 700 AMP, WIDTH-1"             | N/P  |
| 2147A72G02 | 746166T | 3 POLE, TYPE-LF, 700HD AMP, WIDTH-1"           | N/P  |
| 490A898G28 | 746285T | 1 POLE, TYPE-GF, 1000 AMP, WIDTH-5/8", 2 7/8"  | N/P  |
| 490A898G29 | 746488T | 1 POLE, TYPE-GF, 1000+ AMP, WIDTH-5/8", 2 7/8" | N/P  |
| 178791     | 746136T | SINGLE CONTACT                                 | 140  |
| 1116990    | 746024T | SINGLE CONTACT                                 | 140  |
| 298442     | 746224T | SINGLE CONTACT                                 | 140  |
| 256956     | 746182T | SINGLE CONTACT                                 | 140  |
| 74883      | 746346T | SINGLE CONTACT                                 | 140  |
| 94401      | 746378T | SINGLE CONTACT                                 | 140  |
| 1572799    | 746414T | SINGLE CONTACT                                 | 140  |

**N/P - NOT PICTURED**

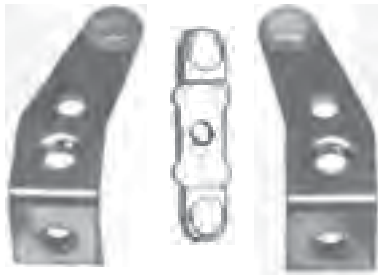




**WESTINGHOUSE**  
**A200 SERIES**



OEM No. 373B331G18  
OCC No. 746257T  
No. OF POLES: 4  
SIZE: 00



OEM No. 373B331G04  
OCC No. 746244T  
No. OF POLES: 4  
SIZE: 0



OEM No. 373B331G07  
OCC No. 746246T  
No. OF POLES: 2  
SIZE: 1



OEM No. 373B331G09  
OCC No. 746248T  
No. OF POLES: 4  
SIZE: 1



OEM No. 373B331G10  
OCC No. 746656T  
No. OF POLES: 5  
SIZE: 1

P. 800-310-5999 F. 330-648-2774  
sales@ohiocontact.com www.ohiocontact.com

This document utilizes an interactive table of contents to help you jump from one section to another. Click the button to return to the table of contents.

**RETURN TO  
TABLE OF CONTENTS**

- A200 SERIES
- SIZE 6
- TYPE GPD
- TYPE NF
- TYPE N—LIFELINE SERIES
- DPCK SERIES
- MD SERIES
- MD & MME SERIES
- ADVANTAGE SERIES
- MISCELLANEOUS



SIZE 2

| OEM No.    | OCC No. | No. OF POLES |
|------------|---------|--------------|
| 373B331G11 | 746250T | 2            |
| 373B331G12 | 746252T | 3            |
| 373B331G13 | 746254T | 4            |
| 373B331G14 | 746256T | 5            |



SIZE 3

| OEM No.    | OCC No. | No. OF POLES |
|------------|---------|--------------|
| 626B187G12 | 746308T | 2            |
| 626B187G13 | 746310T | 3            |
| 626B187G14 | 746312T | 4            |
| 626B184G15 | 746314T | 5            |



SIZE 4, MODEL J

| OEM No.    | OCC No. | No. OF POLES |
|------------|---------|--------------|
| 626B187G16 | 746316T | 2            |
| 626B187G17 | 746318T | 3            |
| 626B187G18 | 746320T | 4            |
| 626B187G19 | 746322T | 5            |



SIZE 4, MODEL K

| OEM No.    | OCC No. | No. OF POLES |
|------------|---------|--------------|
| 5250C81G17 | 746294T | 3            |



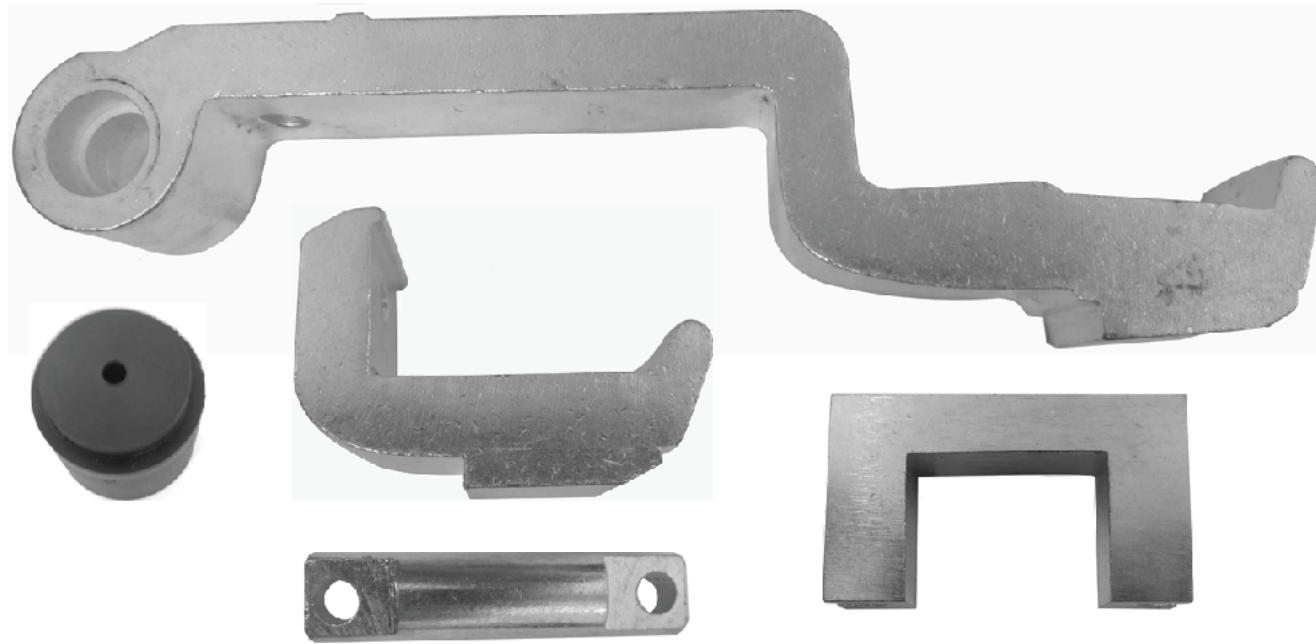
OEM No. 477B477G05  
OCC No. 746278T  
No. OF POLES: 1  
SIZE: 5

This document utilizes an interactive table of contents to help you jump from one section to another. Click the button to return to the table of contents.

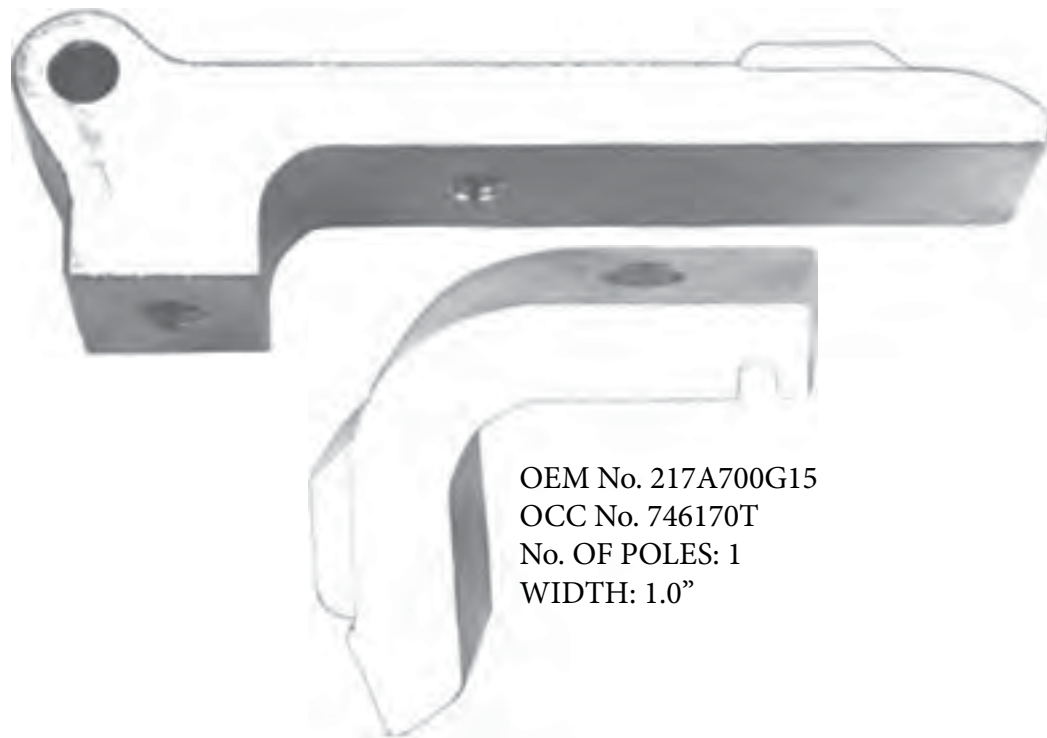
**RETURN TO  
TABLE OF CONTENTS**

- A200 SERIES
- SIZE 6
- TYPE GPD
- TYPE NF
- TYPE N—LIFELINE SERIES
- DPCK SERIES
- MD SERIES
- MD & MME SERIES
- ADVANTAGE SERIES
- MISCELLANEOUS

**WESTINGHOUSE**  
**SIZE 6**



OEM No. 2066A10G11  
OCC No. 746158T  
No. OF POLES: 1  
WIDTH: 1.0"



OEM No. 217A700G15  
OCC No. 746170T  
No. OF POLES: 1  
WIDTH: 1.0"

P. 800-310-5999 F. 330-648-2774  
sales@ohiocontact.com www.ohiocontact.com

This document utilizes an interactive table of contents to help you jump from one section to another. Click the button to return to the table of contents.

**RETURN TO  
TABLE OF CONTENTS**

- A200 SERIES
- SIZE 6
- TYPE GPD
- TYPE NF
- TYPE N—LIFELINE SERIES
- DPCK SERIES
- MD SERIES
- MD & MME SERIES
- ADVANTAGE SERIES
- MISCELLANEOUS

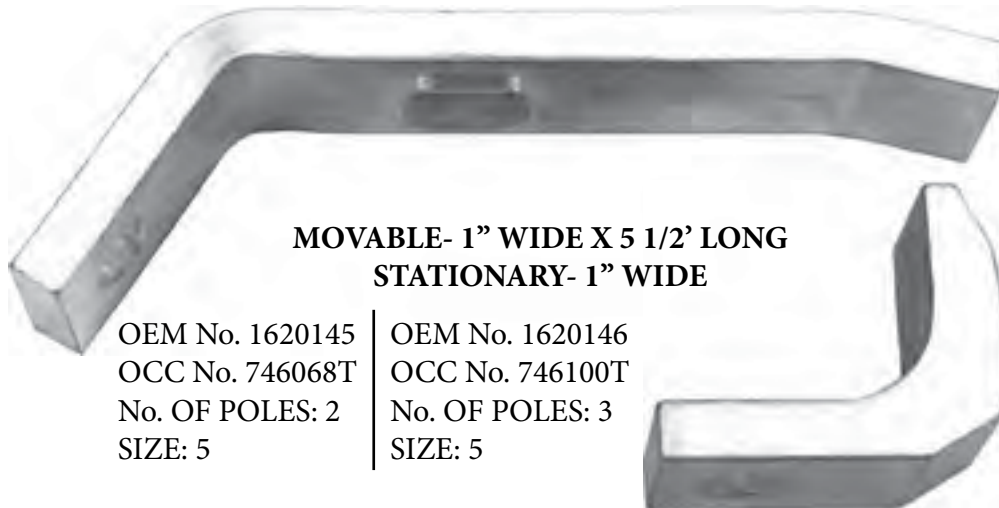
**WESTINGHOUSE**  
**TYPE GPD**



OEM No. 461A757G17  
OCC No. 746268T  
No. OF POLES: 1  
SIZE: 7  
**2 MOVABLES AND 1  
STATIONARY**

OEM No. 646C829G05  
OCC No. 746324T  
No. OF POLES: 1  
SIZE: 8  
**3 MOVABLES AND 1  
STATIONARY**

**TYPE NF**



**MOVABLE- 1" WIDE X 5 1/2' LONG**  
**STATIONARY- 1" WIDE**

OEM No. 1620145  
OCC No. 746068T  
No. OF POLES: 2  
SIZE: 5

OEM No. 1620146  
OCC No. 746100T  
No. OF POLES: 3  
SIZE: 5

This document utilizes an interactive table of contents to help you jump from one section to another. Click the button to return to the table of contents.

**RETURN TO  
TABLE OF CONTENTS**

- A200 SERIES
- SIZE 6
- TYPE GPD
- TYPE NF
- TYPE N—LIFELINE SERIES
- DPCK SERIES
- MD SERIES
- MD & MME SERIES
- ADVANTAGE SERIES
- MISCELLANEOUS

**WESTINGHOUSE**  
**TYPE N - LIFELINE SERIES**



OEM No. 1605212  
OCC No. 746096T  
No. OF POLES: 3  
SIZE: 1



OEM No. 1605202  
OCC No. 746094T  
No. OF POLES: 3  
SIZE: 2



OEM No. 1625563  
OCC No. 746102T  
No. OF POLES: 3  
SIZE: 3



OEM No. 1625564  
OCC No. 746104T  
No. OF POLES: 3  
SIZE: 4

P. 800-310-5999 F. 330-648-2774  
sales@ohiocontact.com www.ohiocontact.com

This document utilizes an interactive table of contents to help you jump from one section to another. Click the button to return to the table of contents.

**RETURN TO  
TABLE OF CONTENTS**

- A200 SERIES
- SIZE 6
- TYPE GPD
- TYPE NF
- TYPE N—LIFELINE SERIES
- DPCK SERIES
- MD SERIES
- MD & MME SERIES
- ADVANTAGE SERIES
- MISCELLANEOUS



## **WESTINGHOUSE** **DPCK SERIES**



OEM No. 180C180G02  
OCC No. 746142T  
No. OF POLES: 3  
AMPS: 35



OEM No. 672B839G22  
OCC No. 746338T  
No. OF POLES: 3  
AMPS: 250 MODEL B



OEM No. 180C180G06  
OCC No. 746146T  
No. OF POLES: 3  
AMPS: 100



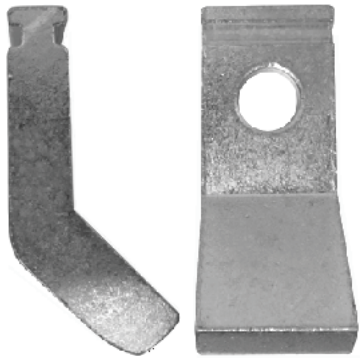
OEM No. 672B839G02  
OCC No. 746342T  
No. OF POLES: 3  
AMPS: 250 MODEL A

This document utilizes an interactive table of contents to help you jump from one section to another. Click the button to return to the table of contents.

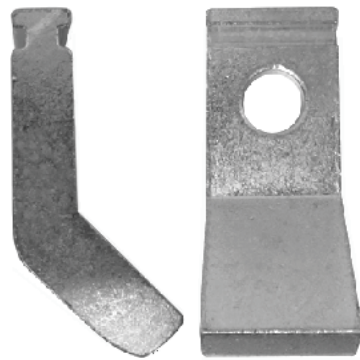
**RETURN TO  
TABLE OF CONTENTS**

- A200 SERIES
- SIZE 6
- TYPE GPD
- TYPE NF
- TYPE N—LIFELINE SERIES
- DPCK SERIES
- MD SERIES
- MD & MME SERIES
- ADVANTAGE SERIES
- MISCELLANEOUS

**WESTINGHOUSE**  
**MD SERIES**



OEM No. 26D2610G21  
OCC No. 746198T  
DEVICE No. MD301, 401  
No. OF POLES: 1  
AMPS: 100/150  
WIDTH: .75"



OEM No. 26D2610G14  
OCC No. 746186T  
DEVICE No. MD310, 410  
No. OF POLES: 1  
AMPS: 100/150  
WIDTH: .75"

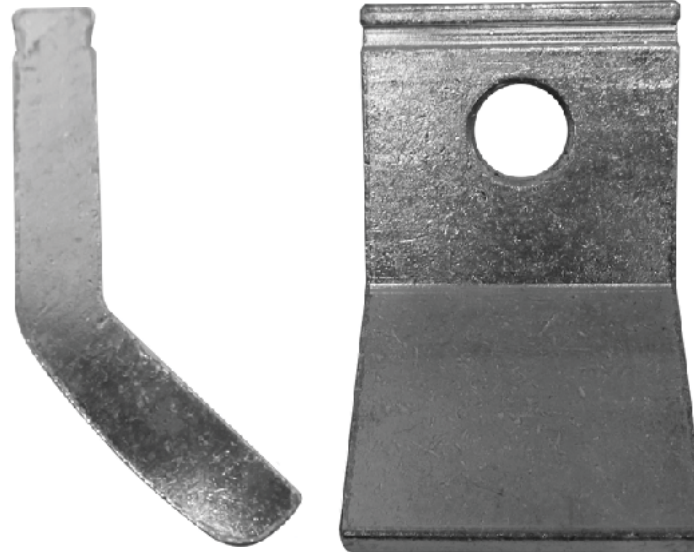


OEM No. 26D2610G15  
OCC No. 746188T  
DEVICE No. MD510  
No. OF POLES: 1  
AMPS: 300  
WIDTH: 1.125"

**SINGLE CONTACTS ALSO  
AVAILABLE**



OEM No. 26D2610G22  
OCC No. 746200T  
DEVICE No. MD501, 501R  
No. OF POLES: 1  
AMPS: 300  
WIDTH: 1.125"



OEM No. 26D2610G16  
OCC No. 7462190T  
DEVICE No. MD610  
No. OF POLES: 1  
AMPS: 900  
WIDTH: 1.75"

This document utilizes an interactive table of contents to help you jump from one section to another. Click the button to return to the table of contents.

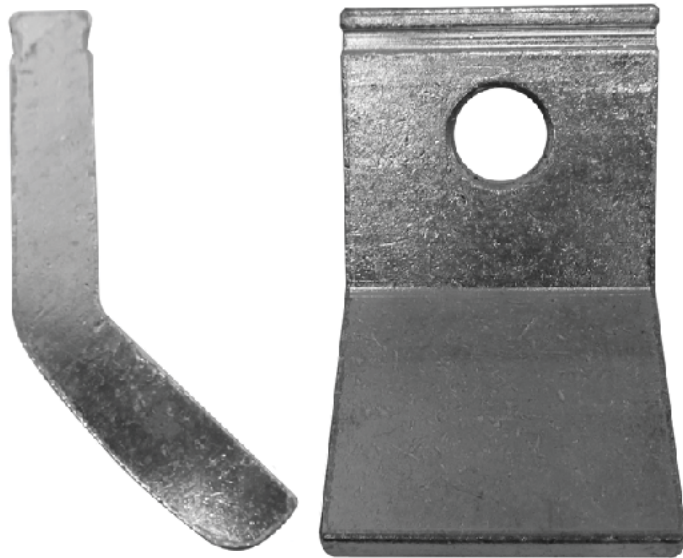
**RETURN TO  
TABLE OF CONTENTS**

- A200 SERIES
- SIZE 6
- TYPE GPD
- TYPE NF
- TYPE N—LIFELINE SERIES
- DPCK SERIES
- MD SERIES
- MD & MME SERIES
- ADVANTAGE SERIES
- MISCELLANEOUS

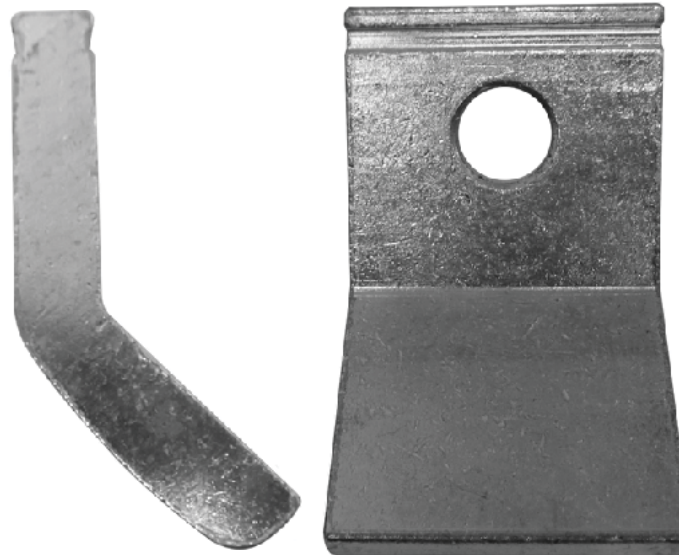
This document utilizes an interactive table of contents to help you jump from one section to another. Click the button to return to the table of contents.

**RETURN TO  
TABLE OF CONTENTS**

- A200 SERIES
- SIZE 6
- TYPE GPD
- TYPE NF
- TYPE N—LIFELINE SERIES
- DPCK SERIES
- MD SERIES
- MD & MME SERIES
- ADVANTAGE SERIES
- MISCELLANEOUS



OEM No. 26D2610G23  
OCC No. 746202T  
DEVICE No. MD601  
No. OF POLES: 1  
AMPS: 900  
WIDTH: 1.75"

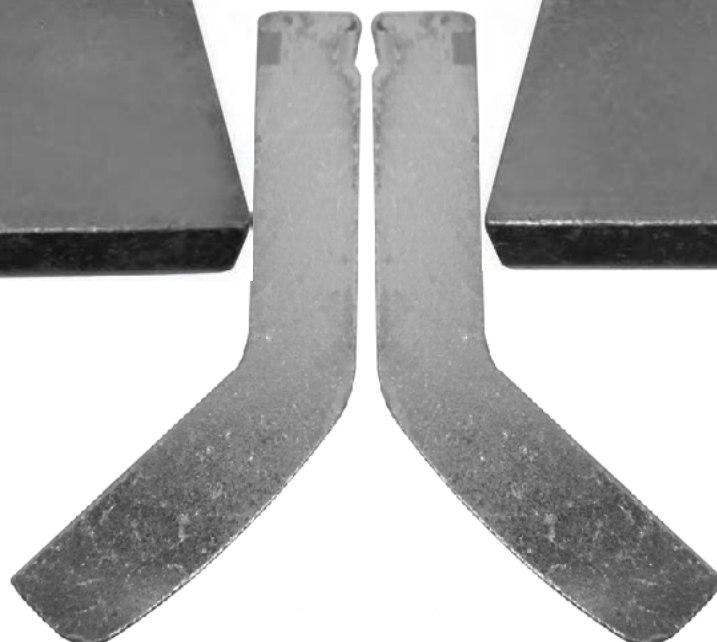


OEM No. 26D2610G24  
OCC No. 746204T  
DEVICE No. MD601  
No. OF POLES: 1  
AMPS: 900  
WIDTH: 1.75"

**SINGLE CONTACTS ALSO  
AVAILABLE**



OEM No. 26D2610G18  
OCC No. 746192T  
DEVICE No. MD810  
No. OF POLES: 1  
AMPS: 1350  
WIDTH: 2.5"



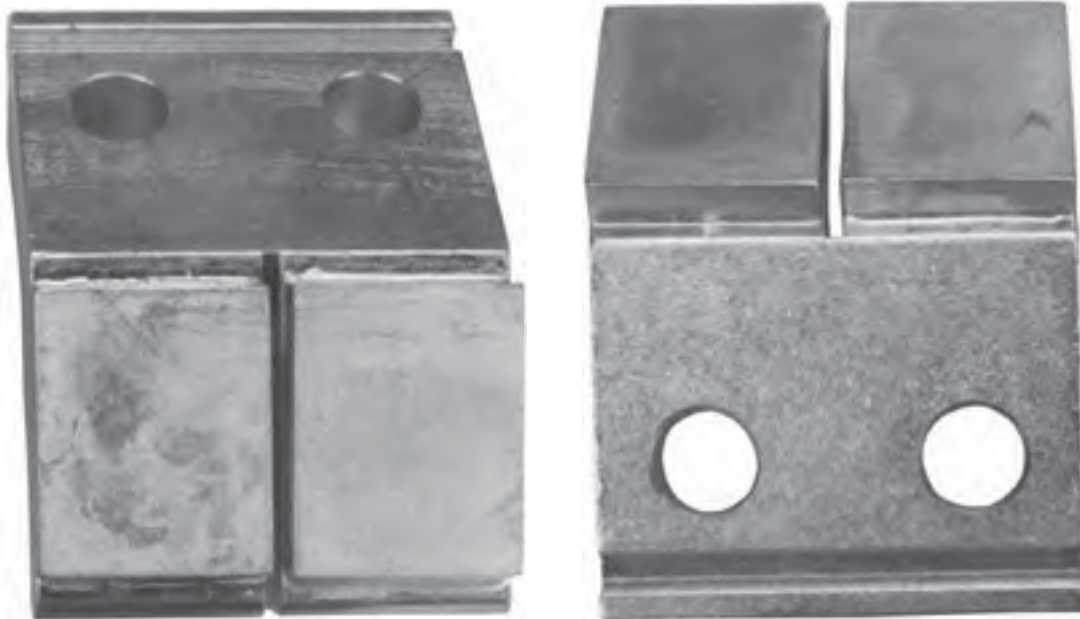
OEM No. 26D2610G19  
OCC No. 746194T  
DEVICE No. MD810R  
No. OF POLES: 1  
AMPS: 1350  
WIDTH: 2.5"



**WESTINGHOUSE**  
**MD & MME SERIES**



OEM No. 2184A10G14  
OCC No. 746172T  
No. OF POLES: 1  
AMPS: 10 - 150  
TYPE: MME  
WIDTH: 9/16"



OEM No. 26D2610G20  
OCC No. 746196T  
No. OF POLES: 1  
AMPS: 2500  
TYPE: MD-910

P. 800-310-5999 F. 330-648-2774  
sales@ohiocontact.com www.ohiocontact.com

This document utilizes an interactive table of contents to help you jump from one section to another. Click the button to return to the table of contents.

**RETURN TO  
TABLE OF CONTENTS**

- A200 SERIES
- SIZE 6
- TYPE GPD
- TYPE NF
- TYPE N—LIFELINE SERIES
- DPCK SERIES
- MD SERIES
- MD & MME SERIES
- ADVANTAGE SERIES
- MISCELLANEOUS

**WESTINGHOUSE**  
**ADVANTAGE SERIES**



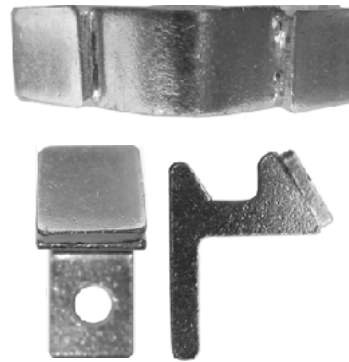
OEM No. WCK13  
 OCC No. 746002T  
 No. OF POLES: 3  
 SIZE: 1



OEM No. WCK23  
 OCC No. 746004T  
 No. OF POLES: 3  
 SIZE: 2



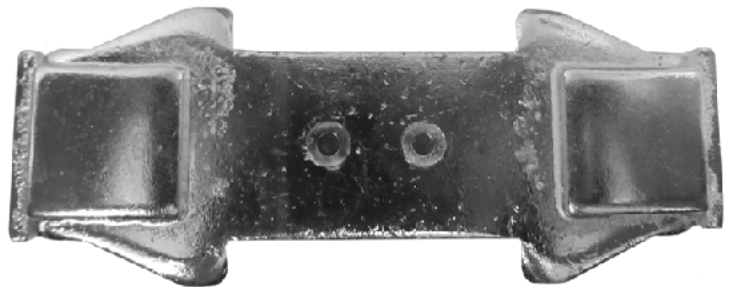
OEM No. WCK33  
 OCC No. 746006T  
 No. OF POLES: 3  
 SIZE: 3



OEM No. WCK43  
 OCC No. 746008T  
 No. OF POLES: 3  
 SIZE: 4



OEM No. WCK53  
 OCC No. 746010T  
 No. OF POLES: 3  
 SIZE: 5



OEM No. WCK63  
 OCC No. 746011T  
 No. OF POLES: 3  
 SIZE: 6

This document utilizes an interactive table of contents to help you jump from one section to another. Click the button to return to the table of contents.

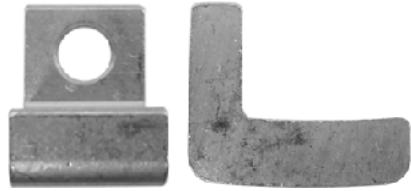
**RETURN TO  
 TABLE OF CONTENTS**

- A200 SERIES
- SIZE 6
- TYPE GPD
- TYPE NF
- TYPE N—LIFELINE SERIES
- DPCK SERIES
- MD SERIES
- MD & MME SERIES
- ADVANTAGE SERIES
- MISCELLANEOUS

**WESTINGHOUSE**  
**MISCELLANEOUS**



OEM No. 178791  
OCC No. 746136T  
SINGLE CONTACT



OEM No. 1116990  
OCC No. 746024T  
SINGLE CONTACT



OEM No. 298442  
OCC No. 746224T  
SINGLE CONTACT



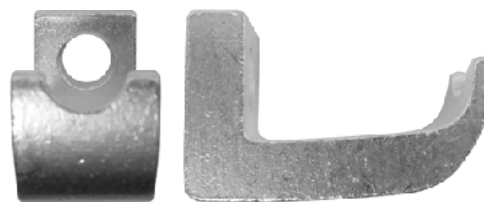
OEM No. 256956  
OCC No. 746182T  
SINGLE CONTACT



OEM No. 74883  
OCC No. 746346T  
SINGLE CONTACT



OEM No. 94401  
OCC No. 746378T  
SINGLE CONTACT



OEM No. 1572799  
OCC No. 746414T  
SINGLE CONTACT

This document utilizes an interactive table of contents to help you jump from one section to another. Click the button to return to the table of contents.

**RETURN TO  
TABLE OF CONTENTS**

- A200 SERIES
- SIZE 6
- TYPE GPD
- TYPE NF
- TYPE N—LIFELINE SERIES
- DPCK SERIES
- MD SERIES
- MD & MME SERIES
- ADVANTAGE SERIES
- MISCELLANEOUS



## ALLEN BRADLEY COILS

| OEM No. | DESCRIPTION          |
|---------|----------------------|
| CB236   | COIL, 120V, SIZE-0/1 |
| CB254   | COIL, 240V, SIZE-0/1 |
| CB273   | COIL, 480V, SIZE-0/1 |
| CD236   | COIL, 120V, SIZE-0/1 |
| CD253   | COIL, 240V, SIZE-0/1 |
| CD273   | COIL, 480V, SIZE-0/1 |

This document utilizes an interactive table of contents to help you jump from one section to another. Click the button to return to the table of contents.

---

**RETURN TO  
TABLE OF CONTENTS**

**Please contact us if desired coil is not listed, for our database is continually increasing in number of coils available. We can aslo manufacture most obsolete coils, call for details.**

P. 800-310-5999 F. 330-648-2774  
sales@ohiocontact.com www.ohiocontact.com

## ASEA BROWN BOVERI COILS

### ABB EH080 - EH090 COILS

| OEM No. | DESCRIPTION  |
|---------|--------------|
| KH80-F  | COIL, SIZE-3 |
| KH80-1  | COIL, SIZE-3 |
| KH80-B  | COIL, SIZE-3 |
| KH80-2  | COIL, SIZE-3 |
| KH80-C  | COIL, SIZE-3 |
| KH80-4  | COIL, SIZE-3 |
| KH90-F  | COIL, SIZE-3 |
| KH90-1  | COIL, SIZE-3 |
| KH90-B  | COIL, SIZE-3 |
| KH90-2  | COIL, SIZE-3 |
| KH90-C  | COIL, SIZE-3 |
| KH90-4  | COIL, SIZE-3 |

### ABB EH100 - EH145 COILS

| OEM No. | DESCRIPTION  |
|---------|--------------|
| KH100-F | COIL, SIZE-4 |
| KH100-1 | COIL, SIZE-4 |
| KH100-B | COIL, SIZE-4 |
| KH100-2 | COIL, SIZE-4 |
| KH100-C | COIL, SIZE-4 |
| KH100-4 | COIL, SIZE-4 |
| KH110-F | COIL, SIZE-4 |
| KH110-1 | COIL, SIZE-4 |
| KH110-B | COIL, SIZE-4 |
| KH110-2 | COIL, SIZE-4 |
| KH110-C | COIL, SIZE-4 |
| KH110-4 | COIL, SIZE-4 |
| KH145-F | COIL, SIZE-4 |
| KH145-1 | COIL, SIZE-4 |
| KH145-B | COIL, SIZE-4 |
| KH145-2 | COIL, SIZE-4 |
| KH145-C | COIL, SIZE-4 |
| KH145-4 | COIL, SIZE-4 |

Please contact us if desired coil is not listed, for our database is continually increasing in number of coils available. We can also manufacture most obsolete coils, call for details.

P. 800-310-5999 F. 330-648-2774  
sales@ohiocontact.com www.ohiocontact.com

This document utilizes an interactive table of contents to help you jump from one section to another. Click the button to return to the table of contents.

**RETURN TO  
TABLE OF CONTENTS**

## **ABB EH150 - EH210 COILS**

| <b>OEM No.</b> | <b>DESCRIPTION</b> |
|----------------|--------------------|
| KH150-F        | COIL, SIZE-4+      |
| KH150-1        | COIL, SIZE-4+      |
| KH150-B        | COIL, SIZE-4+      |
| KH150-2        | COIL, SIZE-4+      |
| KH150-C        | COIL, SIZE-4+      |
| KH150-4        | COIL, SIZE-4+      |
| KH160-F        | COIL, SIZE-4+      |
| KH160-1        | COIL, SIZE-4+      |
| KH160-B        | COIL, SIZE-4+      |
| KH160-2        | COIL, SIZE-4+      |
| KH160-C        | COIL, SIZE-4+      |
| KH160-4        | COIL, SIZE-4+      |
| KH170-F        | COIL, SIZE-4+      |
| KH170-1        | COIL, SIZE-4+      |
| KH170-B        | COIL, SIZE-4+      |
| KH170-2        | COIL, SIZE-4+      |
| KH170-C        | COIL, SIZE-4+      |
| KH170-4        | COIL, SIZE-4+      |
| KH175-F        | COIL, SIZE-4+      |
| KH175-1        | COIL, SIZE-4+      |
| KH175-B        | COIL, SIZE-4+      |
| KH175-2        | COIL, SIZE-4+      |
| KH175-C        | COIL, SIZE-4+      |
| KH175-4        | COIL, SIZE-4+      |
| KH210-F        | COIL, SIZE-4+      |
| KH210-1        | COIL, SIZE-4+      |
| KH210-B        | COIL, SIZE-4+      |
| KH210-2        | COIL, SIZE-4+      |
| KH210-C        | COIL, SIZE-4+      |
| KH210-4        | COIL, SIZE-4+      |

This document utilizes an interactive table of contents to help you jump from one section to another. Click the button to return to the table of contents.

**RETURN TO  
TABLE OF CONTENTS**

**Please contact us if desired coil is not listed, for our database is continually increasing in number of coils available. We can also manufacture most obsolete coils, call for details.**

P. 800-310-5999 F. 330-648-2774  
sales@ohiocontact.com www.ohiocontact.com

## **ABB EH250 - EH300 COILS**

| <b>OEM No.</b> | <b>DESCRIPTION</b> |
|----------------|--------------------|
| KH250-F        | COIL, SIZE-5       |
| KH250-1        | COIL, SIZE-5       |
| KH250-B        | COIL, SIZE-5       |
| KH250-2        | COIL, SIZE-5       |
| KH250-C        | COIL, SIZE-5       |
| KH250-4        | COIL, SIZE-5       |
| KH260-F        | COIL, SIZE-5       |
| KH260-1        | COIL, SIZE-5       |
| KH260-B        | COIL, SIZE-5       |
| KH260-2        | COIL, SIZE-5       |
| KH260-C        | COIL, SIZE-5       |
| KH260-4        | COIL, SIZE-5       |
| KH270-F        | COIL, SIZE-5       |
| KH270-1        | COIL, SIZE-5       |
| KH270-B        | COIL, SIZE-5       |
| KH270-2        | COIL, SIZE-5       |
| KH270-C        | COIL, SIZE-5       |
| KH270-4        | COIL, SIZE-5       |
| KH280-F        | COIL, SIZE-5       |
| KH280-1        | COIL, SIZE-5       |
| KH280-B        | COIL, SIZE-5       |
| KH280-2        | COIL, SIZE-5       |
| KH280-C        | COIL, SIZE-5       |
| KH280-4        | COIL, SIZE-5       |
| KH300-F        | COIL, SIZE-5       |
| KH300-1        | COIL, SIZE-5       |
| KH300-B        | COIL, SIZE-5       |
| KH300-2        | COIL, SIZE-5       |
| KH300-C        | COIL, SIZE-5       |
| KH300-4        | COIL, SIZE-5       |

This document utilizes an interactive table of contents to help you jump from one section to another. Click the button to return to the table of contents.

**RETURN TO  
TABLE OF CONTENTS**

**Please contact us if desired coil is not listed, for our database is continually increasing in number of coils available. We can also manufacture most obsolete coils, call for details.**

P. 800-310-5999 F. 330-648-2774  
sales@ohiocontact.com www.ohiocontact.com

## **ABB EH370 - EH550 COILS**

| <b>OEM No.</b> | <b>DESCRIPTION</b> |
|----------------|--------------------|
| KH370-F        | COIL, SIZE-6       |
| KH370-1        | COIL, SIZE-6       |
| KH370-B        | COIL, SIZE-6       |
| KH370-2        | COIL, SIZE-6       |
| KH370-C        | COIL, SIZE-6       |
| KH370-4        | COIL, SIZE-6       |
| KH450-F        | COIL, SIZE-6       |
| KH450-1        | COIL, SIZE-6       |
| KH450-B        | COIL, SIZE-6       |
| KH450-2        | COIL, SIZE-6       |
| KH450-C        | COIL, SIZE-6       |
| KH450-4        | COIL, SIZE-6       |
| KH550-F        | COIL, SIZE-6       |
| KH550-1        | COIL, SIZE-6       |
| KH550-B        | COIL, SIZE-6       |
| KH550-2        | COIL, SIZE-6       |
| KH550-C        | COIL, SIZE-6       |
| KH550-4        | COIL, SIZE-6       |

## **ABB EH700 - EH1200 COILS**

| <b>OEM No.</b> | <b>DESCRIPTION</b> |
|----------------|--------------------|
| KH700-F        | COIL, SIZE-7       |
| KH700-1        | COIL, SIZE-7       |
| KH700-B        | COIL, SIZE-7       |
| KH700-2        | COIL, SIZE-7       |
| KH700-C        | COIL, SIZE-7       |
| KH700-4        | COIL, SIZE-7       |
| KH800-F        | COIL, SIZE-8       |
| KH800-1        | COIL, SIZE-8       |
| KH800-B        | COIL, SIZE-8       |
| KH800-2        | COIL, SIZE-8       |
| KH800-C        | COIL, SIZE-8       |
| KH800-4        | COIL, SIZE-8       |
| KH1200-F       | COIL, 1200 AMP     |
| KH1200-1       | COIL, 1200 AMP     |
| KH1200-B       | COIL, 1200 AMP     |
| KH1200-2       | COIL, 1200 AMP     |
| KH1200-C       | COIL, 1200 AMP     |
| KH1200-4       | COIL, 1200 AMP     |

**Please contact us if desired coil is not listed, for our database is continually increasing in number of coils available. We can also manufacture most obsolete coils, call for details.**

P. 800-310-5999 F. 330-648-2774  
sales@ohiocontact.com www.ohiocontact.com

This document utilizes an interactive table of contents to help you jump from one section to another. Click the button to return to the table of contents.

**RETURN TO  
TABLE OF CONTENTS**



## CLARK COILS

| OEM No.        | DESCRIPTION                            |
|----------------|--|
| A-12-27        | Coil                                   |
| A106-86246A    | Magnet Coil                            |
| A12-1508       | Assembled Shading Coil                 |
| A12-1509       | Assembled Shading Coil                 |
| A12-32751A     | Coil And Case Assembly                 |
| A13-27350      | Blowout coil                           |
| A13-29444      | Coil                                   |
| A13-35673      | Blowout Coil                           |
| A16-100636A    | Blowout Coil Assembly, Back Connected  |
| A16-104-193992 | Blowout Coil                           |
| A16-1969       | Shading Coil, 60 Cycle                 |
| A16-1970       | Shading Coil, 25 Cycle                 |
| A16-30280      | Blowout Coil, Front or Back Connected  |
| A16-30281      | Blowout Coil                           |
| A16-30281A     | Blowout Coil Assembly, Back Connected  |
| A16-30283A     | Blowout Coil Assembly, Front Connected |
| A16-30549      | Blowout Coil                           |
| A16-30558A     | Blowout Coil Assembly, Front Connected |
| A16-31756      | Blowout Coil                           |
| A16-44602A     | Blowout Coil Assembly, Back Connected  |
| A16-44603      | Blowout Coil, Front or Back Connected  |
| A16-59697A     | Blowout Coil Assembly, Front Connected |
| A16-8011A      | Shading Coil, 60 Cycle                 |
| A16-8012A      | Shading Coil, 25 Cycle                 |
| A16-8166A      | Shading Coil, 60 Cycle                 |
| A16-8167A      | Shading Coil, 25 Cycle                 |
| A16-92608A     | Blowout Coil Assembly                  |
| A18-18206      | Blowout Coil                           |
| A18-23678A     | Blowout Coil Assembly                  |
| A18-23679      | Blowout Coil                           |
| A18-23683A     | Blowout Coil Assembly                  |
| A18-23684      | Blowout Coil                           |
| A18-23688A     | Blowout Coil Assembly                  |
| A18-23689      | Blowout Coil                           |
| A18-23693A     | Blowout Coil Assembly                  |
| A18-23694      | Blowout Coil                           |
| A18-23883A     | Blowout Coil Assembly                  |
| A18-9090       | Blowout Coil                           |
| A18-9121A      | Blowout Coil Assembly                  |

**Please contact us if desired coil is not listed, for our database is continually increasing in number of coils available. We can aslo manufacture most obsolete coils, call for details.**

P. 800-310-5999 F. 330-648-2774  
 sales@ohiocontact.com www.ohiocontact.com

This document utilizes an interactive table of contents to help you jump from one section to another. Click the button to return to the table of contents.

**RETURN TO  
TABLE OF CONTENTS**

| OEM No.        | DESCRIPTION                            |
|----------------|--|
| A29-2656-1     | Blowout Coil, 2 Amp                    |
| A29-2656-2     | Blowout Coil, 5 Amp                    |
| A29-2656A      | Blowout Coil Assembled                 |
| A29-2703-A14   | Coil                                   |
| A29-2703-A15   | Coil                                   |
| A29-2703-A16   | Coil                                   |
| A29-2703A-12   | Coil                                   |
| A29-2703A-17   | Coil, 40-50 VDC                        |
| A29-2703A-18   | Coil, 125 VDC                          |
| A29-2703A-19   | Coil, 550 VDC                          |
| A29-32124A     | Blowout Coil                           |
| A53-23839      | Blowout Coil                           |
| A73-260368A    | Coil                                   |
| A73-260369A    | Coil                                   |
| A73-260370A1   | Coil, 900 Amp                          |
| A73-260371A    | Coil                                   |
| A73-260375-A1  | Coil                                   |
| A73-260375-A2  | Coil                                   |
| A73-260375-A3  | Coil                                   |
| A73-260376-A1  | Coil                                   |
| A73-260376-A2  | Coil                                   |
| A73-260376-A3  | Coil                                   |
| A73-260376-A4  | Coil                                   |
| A73-260376A-5  | Coil, 110 Amp                          |
| A73-260390A    | Coil                                   |
| A73-94385A     | Coil                                   |
| A74-243812-A   | Blowout Coil Assembly                  |
| A74-244353-A   | Blowout Coil Assembly                  |
| A74-250822-A   | Blowout Coil Assembly                  |
| A74-253044     | Blowout Coil, 50 amp                   |
| A74-253045     | Blowout Coil                           |
| A74-253046     | Blowout Coil                           |
| A74-253047     | Blowout Coil, 7.5 amp                  |
| A74-253048     | Blowout Coil, 3 amp                    |
| A74-257318A    | Blowout Coil Assembly, Front Connected |
| A74-257334A    | Blowout Coil, Assembly                 |
| AC-110         | Coil                                   |
| AC-113         | Coil                                   |
| AC-114         | Coil                                   |
| AC-161         | Coil                                   |
| B-6-20         | Coil                                   |
| B106-194710-A1 | 10" Shunt Coil                         |
| B106-194710-A4 | Series Coil                            |

Please contact us if desired coil is not listed, for our database is continually increasing in number of coils available. We can aslo manufacture most obsolete coils, call for details.

P. 800-310-5999 F. 330-648-2774  
sales@ohiocontact.com www.ohiocontact.com

This document utilizes an interactive table of contents to help you jump from one section to another. Click the button to return to the table of contents.

**RETURN TO  
TABLE OF CONTENTS**

| OEM No.          | DESCRIPTION     |
|------------------|-----------------|
| B106-194710-A5   | 10" Series Coil |
| B106-194710-A7   | Coil            |
| B106-194710-A8   | Coil            |
| B106-194710-A9   | Coil            |
| B106-194872-A1   | 13" Shunt Coil  |
| B106-194872-A11  | 13" Series Coil |
| B106-194872-A13  | Series Coil     |
| B106-194872-A16  | Coil            |
| B106-194872-A3   | 13" Series Coil |
| B106-194872-A4   | 13" Series Coil |
| B106-194872-A5   | 13" Series Coil |
| B106-194872-A6   | 13" Series Coil |
| B106-194872-A7   | 13" Series Coil |
| B106-194941-0001 | 16" Shunt Coil  |
| B106-194941-A10  | 16" Series Coil |
| B106-194941-A11  | 16" Series Coil |
| B106-194941-A3   | 16" Series Coil |
| B106-194941-A4   | 16" Series Coil |
| B106-194941-A5   | 16" Series Coil |
| B106-194941-A6   | 16" Series Coil |
| B106-194941-A7   | 16" Series Coil |
| B106-194941-A8   | 16" Series Coil |
| B106-200460-A1   | 23" Shunt Coil  |
| B106-200460-A2   | 23" Series Coil |
| B106-200460-A3   | 23" Series Coil |
| B106-200460-A4   | 23" Series Coil |
| B106-200460-A5   | 23" Series Coil |
| B106-200703-A1   | 19" Shunt Coil  |
| B106-200703-A2   | 19" Series Coil |
| B106-200703-A3   | 19" Series Coil |
| B106-200703-A4   | 19" Series Coil |
| B106-200703-A5   | 19" Series Coil |
| B106-200703-A6   | 19" Series Coil |
| B106-200703-A7   | 19" Series Coil |
| B106-200703-A8   | 19" Series Coil |
| B106-230108-A1   | 8" Shunt Coil   |
| B106-230108-A11  | Coil            |
| B106-230108-A13  | Coil            |
| B106-230108-A14  | Coil            |
| B106-230108-A16  | Coil            |
| TB-101-19        | Coil            |
| TB-102-1         | Coil            |
| TB-102-2         | Coil, 220 VAC   |

This document utilizes an interactive table of contents to help you jump from one section to another. Click the button to return to the table of contents.

**RETURN TO  
TABLE OF CONTENTS**

Please contact us if desired coil is not listed, for our database is continually increasing in number of coils available. We can also manufacture most obsolete coils, call for details.

P. 800-310-5999 F. 330-648-2774  
sales@ohiocontact.com www.ohiocontact.com

| OEM No.   | DESCRIPTION                |
|-----------|----------------------------|
| TB-103-1  | Coil                       |
| TB-103-19 | Coil                       |
| TB-103-2  | Coil                       |
| TB-103-22 | Coil                       |
| TB-105-1  | Coil                       |
| TB-105-12 | Coil                       |
| TB-105-18 | Coil                       |
| TB-105-2  | Coil                       |
| TB-105-25 | Coil, 110/50, Size-3       |
| TB-105-9  | Coil                       |
| TB-109-1  | Encapsulated Coil, 240 VDC |
| TB-109-2  | Coil 120V DC               |
| TB-109-3  | Coil, 60 VDC               |
| TB-109-7  | Coil 95V DC                |
| TB-109-8  | Coil, 36 VDC               |
| TB-109-9  | Coil, 24 VDC               |
| TB-113-1  | Coil                       |
| TB-113-16 | Coil                       |
| TB-113-18 | Coil                       |
| TB-113-2  | Coil                       |
| TB-113-20 | Coil                       |
| TB-113-25 | Coil                       |
| TB-113-4  | Coil                       |
| TB-113-5  | Coil                       |
| TB-113-56 | Coil                       |
| TB-113-6  | Coil                       |
| TB-113-61 | Coil                       |
| TB-113-7  | Coil                       |
| TB-113-9  | Coil                       |
| TB-118-3  | Coil                       |
| TB-118-5  | Coil, 115 Volt             |
| TB-122-14 | Coil, 275 VDC              |
| TB-122-6  | Coil, 230 VDC              |
| TB-127-2  | Coil                       |
| TB-130-1  | Coil                       |
| TB-130-13 | Coil                       |
| TB-130-2  | Coil                       |
| TB-134-1  | Coil, 230 VDC              |
| TB-134-2  | Coil, 230 VDC              |
| TB-135-1  | Coil                       |
| TB-135-2  | Coil                       |
| TB-135-4  | Coil                       |
| TB-137-1  | Coil, 120 VDC              |

**Please contact us if desired coil is not listed, for our database is continually increasing in number of coils available. We can also manufacture most obsolete coils, call for details.**

P. 800-310-5999 F. 330-648-2774  
sales@ohiocontact.com www.ohiocontact.com

This document utilizes an interactive table of contents to help you jump from one section to another. Click the button to return to the table of contents.

**RETURN TO  
TABLE OF CONTENTS**

| OEM No.   | DESCRIPTION                |
|-----------|----------------------------|
| TB-137-10 | Coil, 6 VDC                |
| TB-137-11 | Coil, 300 VDC              |
| TB-137-12 | Coil, 120 VDC              |
| TB-137-13 | Coil, 240 VDC              |
| TB-137-2  | Encapsulated Coil, 240 VDC |
| TB-137-3  | Coil, 180 VDC              |
| TB-137-4  | Coil, 90 VDC               |
| TB-137-5  | Coil, 64 VDC               |
| TB-137-6  | Coil, 48 VDC               |
| TB-137-7  | Coil                       |
| TB-137-8  | Coil, 24 VDC               |
| TB-137-9  | Coil, 12 VDC               |
| TB-139-1  | Coil                       |
| TB-139-4  | Coil                       |
| TB-14-16  | Coil                       |
| TB-140-2  | Coil                       |
| TB-141-1  | Encapsulated Coil, 240 VDC |
| TB-141-2  | Coil, 120 VDC              |
| TB-141-7  | Coil, 95 VDC               |
| TB-144-1  | Encapsulated Coil, 240 VDC |
| TB-144-2  | Coil, 120 VDC              |
| TB-144-8  | Coil 95, VDC               |
| TB-145-1  | Coil                       |
| TB-145-2  | Coil                       |
| TB-145-3  | Coil                       |
| TB-145-4  | Coil                       |
| TB-145-5  | Coil                       |
| TB-145-6  | Coil                       |
| TB-145-7  | Coil                       |
| TB-145-8  | Coil, 22 Amp               |
| TB-147-1  | Coil, 115 VDC              |
| TB-147-10 | Coil                       |
| TB-147-11 | Coil                       |
| TB-147-12 | Coil                       |
| TB-147-13 | Coil                       |
| TB-147-14 | Coil                       |
| TB-147-15 | Coil                       |
| TB-147-16 | Coil                       |
| TB-147-17 | Coil                       |
| TB-147-19 | Coil                       |
| TB-147-2  | Coil, 230 VDC              |
| TB-147-20 | Coil, 95 VDC               |
| TB-147-21 | Coil                       |

**Please contact us if desired coil is not listed, for our database is continually increasing in number of coils available. We can also manufacture most obsolete coils, call for details.**

P. 800-310-5999 F. 330-648-2774  
sales@ohiocontact.com www.ohiocontact.com

This document utilizes an interactive table of contents to help you jump from one section to another. Click the button to return to the table of contents.

**RETURN TO  
TABLE OF CONTENTS**

**OEM No. DESCRIPTION**

|           |                   |
|-----------|-------------------|
| TB-147-22 | Coil              |
| TB-147-23 | Coil              |
| TB-147-23 | Coil              |
| TB-147-25 | Coil, 260 VDC     |
| TB-147-3  | Coil, 550 VDC     |
| TB-147-4  | Coil              |
| TB-147-5  | Coil              |
| TB-147-6  | Coil              |
| TB-147-7  | Coil, 30 VDC      |
| TB-147-8  | Coil              |
| TB-147-9  | Coil              |
| TB-148-1  | Coil, 230 VDC     |
| TB-148-10 | Coil, 36 VDC      |
| TB-148-11 | Coil, 24 VDC      |
| TB-148-12 | Coil, 14.5 VDC    |
| TB-148-13 | Coil, 72 VDC      |
| TB-148-14 | Coil, 32 VDC      |
| TB-148-15 | Coil, 410 VDC     |
| TB-148-16 | Coil, 18 VDC      |
| TB-148-17 | Coil, 6 VDC       |
| TB-148-18 | Coil, 500 VDC     |
| TB-148-19 | Coil, 125-140 VDC |
| TB-148-2  | Coil, 550 VDC     |
| TB-148-20 | Coil, 80 VDC      |
| TB-148-21 | Coil, 170 VDC     |
| TB-148-22 | Coil, 340 VDC     |
| TB-148-23 | Coil, 440 VDC     |
| TB-148-24 | Coil, 260 VDC     |
| TB-148-3  | Coil, 115 VDC     |
| TB-148-4  | Coil, 450 VDC     |
| TB-148-5  | Coil, 300 VDC     |
| TB-148-6  | Coil, 60 VDC      |
| TB-148-7  | Coil, 48 VDC      |
| TB-148-8  | Coil, 90 VDC      |
| TB-148-9  | Coil, 275 VDC     |
| TB-149-1  | Coil              |
| TB-149-10 | Coil              |
| TB-149-11 | Coil              |
| TB-149-12 | Coil              |
| TB-149-13 | Coil              |
| TB-149-14 | Coil              |
| TB-149-2  | Coil              |
| TB-149-3  | Coil              |

**Please contact us if desired coil is not listed, for our database is continually increasing in number of coils available. We can aslo manufacture most obsolete coils, call for details.**

P. 800-310-5999 F. 330-648-2774  
 sales@ohiocontact.com www.ohiocontact.com

This document utilizes an interactive table of contents to help you jump from one section to another. Click the button to return to the table of contents.

**RETURN TO  
TABLE OF CONTENTS**



This document utilizes an interactive table of contents to help you jump from one section to another. Click the button to return to the table of contents.

**RETURN TO  
TABLE OF CONTENTS**

| OEM No.     | DESCRIPTION                                   |
|-------------|---|
| TB-149-4    | Coil  |
| TB-149-5    | Coil  |
| TB-149-6    | Coil  |
| TB-149-7    | Coil  |
| TB-149-8    | Coil  |
| TB-149-9    | Coil  |
| TB-15-3     | 6" Brake Coil, 440 V, 60 CYC.                 |
| TB-150-2    | Encapsulated Coil, 240 VDC                    |
| TB-150-3    | Coil, 120 VDC                                 |
| TB-151-1    | Encapsulated Coil, 240 VDC                    |
| TB-151-10   | Coil, 24 VDC                                  |
| TB-151-11   | Coil, 0.78 Amp                                |
| TB-151-13   | Coil, 12 VDC                                  |
| TB-151-14   | Coil, 1.4 Amp                                 |
| TB-151-15   | Coil, 1.7 Amp                                 |
| TB-151-16   | Coil, 2.1 Amp                                 |
| TB-151-17   | Coil, 2.6 Amp                                 |
| TB-151-18   | Coil, 3.3 Amp                                 |
| TB-151-19   | Coil, 4.3 Amp                                 |
| TB-151-2    | Coil, 120 VDC                                 |
| TB-151-20   | Coil, 5.3 Amp                                 |
| TB-151-21   | Coil, 6.9 Amp                                 |
| TB-151-24   | Coil, 13.2 Amp                                |
| TB-151-26   | Coil, 95 VDC                                  |
| TB-151-3    | Coil, 60 VDC                                  |
| TB-151-7    | Coil, 72 VDC                                  |
| TB-151-8    | Coil, 48 VDC                                  |
| TB-151-9    | Coil, 32 VDC                                  |
| TB-152-1    | Coil  |
| TB-156-2    | Coil  |
| TB-157-10   | Coil, 24V                                     |
| TB-157-11   | Coil, 88V                                     |
| TB-157-12   | Coil, 176V                                    |
| TB-157-13   | Coil, 550V                                    |
| TB-157-14   | Coil, 115 VDC                                 |
| TB-157-15   | Encapsulated Coil w/ Flexible Leads, 240 VDC  |
| TB-157-15-R | Encapsulated Coil w/ Rigid Terminals, 240 VDC |
| TB-157-4    | Coil, 45V                                     |
| TB-157-5    | Coil, 60V                                     |
| TB-157-6    | Coil, 30V                                     |
| TB-157-7    | Coil, 18V                                     |
| TB-157-8    | Coil, 265 VDC                                 |
| TB-157-9    | Coil, 12V                                     |

Please contact us if desired coil is not listed, for our database is continually increasing in number of coils available. We can aslo manufacture most obsolete coils, call for details.

P. 800-310-5999 F. 330-648-2774  
sales@ohiocontact.com www.ohiocontact.com

This document utilizes an interactive table of contents to help you jump from one section to another. Click the button to return to the table of contents.

**RETURN TO  
TABLE OF CONTENTS**

| OEM No.   | DESCRIPTION                                 |
|-----------|---|
| TB-157-M2 | Coil, 240 VDC                               |
| TB-158-1  | Coil, 115 VDC                               |
| TB-158-7  | Encapsulated Coil, 240 VDC                  |
| TB-159-1  | Coil  |
| TB-159-10 | Coil  |
| TB-159-2  | Coil  |
| TB-159-3  | Coil  |
| TB-159-5  | Coil  |
| TB-159-6  | Coil  |
| TB-16-1   | Coil, 230 VDC                               |
| TB-16-10  | Coil, 36 VDC                                |
| TB-16-11  | Coil, 24 VDC                                |
| TB-16-12  | Coil, 14.5 VDC                              |
| TB-16-13  | Coil, 72 VDC                                |
| TB-16-15  | Coil, 410 VDC                               |
| TB-16-16  | Coil, 18 VDC                                |
| TB-16-17  | Coil, 6 VDC                                 |
| TB-16-18  | Coil, 500 VDC                               |
| TB-16-19  | Coil, 125-140 VDC                           |
| TB-16-2   | Coil, 550V                                  |
| TB-16-20  | Coil, 80 VDC                                |
| TB-16-21  | Coil, 170 VDC                               |
| TB-16-22  | Coil, 340 VDC                               |
| TB-16-23  | Coil, 440 VDC                               |
| TB-16-24  | Coil, 260 VDC                               |
| TB-16-3   | Coil, 115V                                  |
| TB-16-4   | Coil, 450 VDC                               |
| TB-16-5   | Coil, 300 VDC                               |
| TB-16-6   | Coil, 60 VDC                                |
| TB-16-7   | Coil, 48 VDC                                |
| TB-16-8   | Coil, 90 VDC                                |
| TB-16-9   | Coil, 275 VDC                               |
| TB-161-1  | Coil  |
| TB-161-7  | Coil  |
| TB-162-15 | Coil  |
| TB-162-1A | Coil  |
| TB-162-2A | Coil  |
| TB-162-5  | Coil  |
| TB-162-6  | Coil  |
| TB-162-8  | Coil  |
| TB-166-1  | Encapsulated Coil, 230 VDC                  |
| TB-166-2  | Encapsulated Coil, 115VDC w/Flexible Leads  |
| TB-166-4  | Encapsulated Coil, 240 VDC w/Flexible Leads |

Please contact us if desired coil is not listed, for our database is continually increasing in number of coils available. We can also manufacture most obsolete coils, call for details.

P. 800-310-5999 F. 330-648-2774  
sales@ohiocontact.com www.ohiocontact.com

| OEM No.  | DESCRIPTION                 |
|----------|-----------------------------|
| TB-17-1  | Coil, 230V                  |
| TB-17-10 | Coil, 12 VDC                |
| TB-17-2  | Coil, 550V                  |
| TB-17-3  | Coil, 115V                  |
| TB-17-4  | Coil, 26 VDC                |
| TB-17-5  | Coil, 15 VDC                |
| TB-17-7  | Coil, 48 VDC                |
| TB-17-8  | Coil, 38 VDC                |
| TB-18-1  | Coil                        |
| TB-180-4 | Coil                        |
| TB-19-1  | Coil, 115 VDC               |
| TB-19-2  | Coil, 230 VDC               |
| TB-19-3  | Coil, 550V                  |
| TB-19-4  | Coil, 48 VDC                |
| TB-19-5  | Coil, 18 VDC                |
| TB-19-6  | Coil, 57 VDC                |
| TB-19-7  | Coil, 175 VDC               |
| TB-19-8  | Coil, 24 VDC                |
| TB-19-9  | Coil, 90 VDC                |
| TB-20-1  | Coil                        |
| TB-20-10 | Coil, 48 VDC                |
| TB-20-11 | Coil, 96 VDC                |
| TB-20-12 | Coil, 32 VDC                |
| TB-20-13 | Coil, 15 VDC                |
| TB-20-14 | Coil, 180 VDC               |
| TB-20-2  | Coil                        |
| TB-20-3  | Coil, 550 VDC               |
| TB-20-4  | Coil, 440 VDC               |
| TB-20-5  | Coil, 36 VDC                |
| TB-20-6  | Coil, 24 VDC                |
| TB-20-7  | Coil, 300 VDC               |
| TB-20-8  | Coil, 12 VDC                |
| TB-20-9  | Coil, 60 VDC                |
| TB-21-1  | Coil                        |
| TB-23-10 | Coil, 61 & 85 HP, 375 AMP   |
| TB-23-11 | Coil                        |
| TB-23-13 | Coil, 55 & 60 HP, 300 AMP   |
| TB-23-14 | Coil, 25 HP, 92 AMP         |
| TB-23-15 | Coil, 20 HP, 75 AMP         |
| TB-23-3  | Coil, 20 HP, 100 AMP        |
| TB-23-5  | Coil, 30 HP, 150 AMP        |
| TB-23-6  | Coil, 35 HP, 175 AMP        |
| TB-23-7  | Coil, 37.5 & 40 HP, 200 AMP |

**Please contact us if desired coil is not listed, for our database is continually increasing in number of coils available. We can also manufacture most obsolete coils, call for details.**

P. 800-310-5999 F. 330-648-2774  
sales@ohiocontact.com www.ohiocontact.com

This document utilizes an interactive table of contents to help you jump from one section to another. Click the button to return to the table of contents.

**RETURN TO  
TABLE OF CONTENTS**

| OEM No.  | DESCRIPTION               |
|----------|---------------------------|
| TB-23-8  | Coil                      |
| TB-23-9  | Coil, 55 & 60 HP, 300 AMP |
| TB-24-1  | Coil                      |
| TB-24-10 | Coil                      |
| TB-24-11 | Coil                      |
| TB-24-12 | Coil                      |
| TB-24-13 | Coil                      |
| TB-24-14 | Coil                      |
| TB-24-15 | Coil                      |
| TB-24-16 | Coil                      |
| TB-24-17 | Coil                      |
| TB-24-18 | Coil                      |
| TB-24-2  | Coil                      |
| TB-24-3  | Coil                      |
| TB-24-4  | Coil                      |
| TB-24-5  | Coil                      |
| TB-24-6  | Coil                      |
| TB-24-7  | Coil                      |
| TB-24-8  | Coil                      |
| TB-24-9  | Coil                      |
| TB-25-1  | Coil                      |
| TB-25-11 | Coil                      |
| TB-25-12 | Coil                      |
| TB-25-13 | Coil                      |
| TB-25-14 | Coil                      |
| TB-25-15 | Coil                      |
| TB-25-18 | Coil                      |
| TB-25-2  | Coil                      |
| TB-27-10 | Coil                      |
| TB-27-11 | Blowout Coil              |
| TB-27-12 | Coil                      |
| TB-27-13 | Coil                      |
| TB-27-2  | Coil                      |
| TB-27-3  | Coil, 165 AMP             |
| TB-27-4  | Coil, 170 AMP             |
| TB-27-5  | Coil                      |
| TB-27-6  | Coil                      |
| TB-27-7  | Coil                      |
| TB-27-9  | Coil                      |
| TB-28-11 | Coil, 100 AMP             |
| TB-28-14 | Coil, 68 AMP              |
| TB-28-15 | Coil, 22 AMP              |
| TB-28-19 | Coil, 17 AMP              |

**Please contact us if desired coil is not listed, for our database is continually increasing in number of coils available. We can aslo manufacture most obsolete coils, call for details.**

P. 800-310-5999 F. 330-648-2774  
sales@ohiocontact.com www.ohiocontact.com

This document utilizes an interactive table of contents to help you jump from one section to another. Click the button to return to the table of contents.

**RETURN TO  
TABLE OF CONTENTS**

**OEM No. DESCRIPTION**

|          |                |
|----------|----------------|
| TB-28-20 | Coil, 21 AMP   |
| TB-28-21 | Coil           |
| TB-28-22 | Coil, 54 AMP   |
| TB-28-23 | Coil, 87 AMP   |
| TB-28-24 | Coil, 17 AMP   |
| TB-28-25 | Coil, 20 AMP   |
| TB-25-26 | Coil, 34 AMP   |
| TB-25-27 | Coil, 43 AMP   |
| TB-28-28 | Coil, 55 AMP   |
| TB-28-29 | Coil, 68 AMP   |
| TB-28-30 | Coil, 69 AMP   |
| TB-28-31 | Coil, 105 AMP  |
| TB-28-32 | Coil, 110 AMP  |
| TB-28-4  | Coil, 27 AMP   |
| TB-28-6  | Coil, 56 AMP   |
| TB-29-1  | Coil, 115V     |
| TB-29-11 | Coil, 30 VDC   |
| TB-29-12 | Coil, 18 VDC   |
| TB-29-2  | Coil           |
| TB-29-3  | Coil, 550V     |
| TB-29-4  | Coil, 24 VDC   |
| TB-29-5  | Coil, 6 VDC    |
| TB-29-6  | Coil, 440 VDC  |
| TB-29-7  | Coil, 48 VDC   |
| TB-29-8  | Coil, 60 VDC   |
| TB-29-9  | Coil, 36 VDC   |
| TB-30-1  | Coil           |
| TB-30-2  | Coil, 230V     |
| TB-30-3  | Coil, 550V     |
| TB-30-4  | Coil, 60 VDC   |
| TB-30-5  | Coil, 440 VDC  |
| TB-30-6  | Coil, 72 VDC   |
| TB-30-9  | Coil, 275 VDC  |
| TB-31-1  | Coil, 115V     |
| TB-31-2  | Coil, 230V     |
| TB-31-3  | Coil, 550V     |
| TB-31-5  | Coil, 40 VDC   |
| TB-31-6  | Coil, 40 VDC   |
| TB-31-9  | Coil, 32 VDC   |
| TB-32-1  | Coil           |
| TB-32-10 | Coil, 4.25 AMP |
| TB-32-11 | Coil, 5.25 AMP |

This document utilizes an interactive table of contents to help you jump from one section to another. Click the button to return to the table of contents.

**RETURN TO  
TABLE OF CONTENTS**

**Please contact us if desired coil is not listed, for our database is continually increasing in number of coils available. We can aslo manufacture most obsolete coils, call for details.**

P. 800-310-5999 F. 330-648-2774  
sales@ohiocontact.com www.ohiocontact.com

**OEM No. DESCRIPTION**

|          |                |
|----------|----------------|
| TB-32-12 | Coil, 6.75 AMP |
| TB-32-13 | Coil, 8.25 AMP |
| TB-32-14 | Coil           |
| TB-32-15 | Coil           |
| TB-32-2  | Coil, 13 AMP   |
| TB-32-3  | Coil, 8.75 AMP |
| TB-32-4  | Coil, 3.25 AMP |
| TB-32-5  | Coil           |
| TB-32-7  | Coil, 2 AMP    |
| TB-32-8  | Coil, 1.25 AMP |
| TB-32-9  | Coil, 3 AMP    |
| TB-36-1  | Coil           |
| TB-36-6  | Coil           |
| TB-36-8  | Coil           |
| TB-39-1  | Coil, 55 VDC   |
| TB-39-2  | Coil, 230 VDC  |
| TB-39-3  | Coil, 550 VDC  |
| TB-39-4  | Coil, 300 VDC  |
| TB-40-1  | Coil, 115V     |
| TB-40-10 | Coil, 65 VDC   |
| TB-40-11 | Coil, 410 VDC  |
| TB-40-12 | Coil, 440 VDC  |
| TB-40-13 | Coil, 18 VDC   |
| TB-40-15 | Coil, 500 VDC  |
| TB-40-16 | Coil, 25 VDC   |
| TB-40-17 | Coil, 130 VDC  |
| TB-40-18 | Coil, 100 VDC  |
| TB-40-19 | Coil, 140 VDC  |
| TB-40-2  | Coil, 230V     |
| TB-40-20 | Coil, 80 VDC   |
| TB-40-21 | Coil, 12 VDC   |
| TB-40-22 | Coil, 6 VDC    |
| TB-40-23 | Coil, 260 VDC  |
| TB-40-3  | Coil, 550      |
| TB-40-4  | Coil, 55 VDC   |
| TB-40-5  | Coil, 48 VDC   |
| TB-40-6  | Coil, 36 VDC   |
| TB-40-7  | Coil, 28 VDC   |
| TB-40-8  | Coil, 275 VDC  |
| TB-40-9  | Coil, 30 VDC   |
| TB-41-1  | Coil, 115V     |
| TB-41-11 | Coil, 500 VDC  |

This document utilizes an interactive table of contents to help you jump from one section to another. Click the button to return to the table of contents.

**RETURN TO  
TABLE OF CONTENTS**

**Please contact us if desired coil is not listed, for our database is continually increasing in number of coils available. We can aslo manufacture most obsolete coils, call for details.**

P. 800-310-5999 F. 330-648-2774  
sales@ohiocontact.com www.ohiocontact.com



**OEM No. DESCRIPTION**

|          |                |
|----------|----------------|
| TB-41-2  | Coil, 230V     |
| TB-41-3  | Coil, 550 VDC  |
| TB-41-5  | Coil           |
| TB-41-8  | Coil, 36 VDC   |
| TB-41-9  | Coil, 30 VDC   |
| TB-42-1  | Coil, 115V     |
| TB-42-2  | Coil, 230 VDC  |
| TB-42-5  | Coil, 48 VDC   |
| TB-43-1  | Coil, 115V     |
| TB-43-10 | Coil, 440 VDC  |
| TB-43-11 | Coil, 150 VDC  |
| TB-43-12 | Coil, 48 VDC   |
| TB-43-13 | Coil, 18 VDC   |
| TB-43-14 | Coil, 24 VDC   |
| TB-43-15 | Coil, 90 VDC   |
| TB-43-16 | Coil, 500 VDC  |
| TB-43-17 | Coil, 16 VDC   |
| TB-43-18 | Coil, 130 VDC  |
| TB-43-19 | Coil, 6 VDC    |
| TB-43-2  | Coil, 230V     |
| TB-43-3  | Coil, 60 VDC   |
| TB-43-4  | Coil, 550V     |
| TB-43-5  | Coil, 12.5 VDC |
| TB-43-6  | Coil, 75 VDC   |
| TB-43-7  | Coil, 32 VDC   |
| TB-43-8  | Coil, 275 VDC  |
| TB-43-9  | Coil, 410 VDC  |
| TB-44-1  | Coil, 115V     |
| TB-44-2  | Coil, 230V     |
| TB-44-3  | Coil, 550V     |
| TB-44-4  | Coil, 60 VDC   |
| TB-44-5  | Coil, 30 VDC   |
| TB-44-6  | Coil, 36 VDC   |
| TB-44-7  | Coil, 48 VDC   |
| TB-44-8  | Coil, 72 VDC   |
| TB-45-1  | Coil, 115 VDC  |
| TB-45-10 | Coil, 275 VDC  |
| TB-45-11 | Coil, 36 VDC   |
| TB-45-12 | Coil, 18 VDC   |
| TB-45-13 | Coil, 40 VDC   |
| TB-45-14 | Coil, 6 VDC    |
| TB-45-15 | Coil, 440V     |

**Please contact us if desired coil is not listed, for our database is continually increasing in number of coils available. We can aslo manufacture most obsolete coils, call for details.**

P. 800-310-5999 F. 330-648-2774  
sales@ohiocontact.com www.ohiocontact.com

This document utilizes an interactive table of contents to help you jump from one section to another. Click the button to return to the table of contents.

**RETURN TO  
TABLE OF CONTENTS**

| OEM No.  | DESCRIPTION                   |
|----------|-------------------------------|
| TB-45-17 | Coil, 380 VDC                 |
| TB-45-19 | Coil, 64-75 VDC               |
| TB-45-2  | Coil, 230/240 VDC             |
| TB-45-20 | Coil, 95 VDC                  |
| TB-45-21 | Coil, 10 VDC                  |
| TB-45-22 | Coil, 84 VDC                  |
| TB-45-23 | Coil, 127 VDC                 |
| TB-45-24 | Coil, 300 VDC                 |
| TB-45-3  | Coil, 550V                    |
| TB-45-4  | Coil, 12 VDC                  |
| TB-45-5  | Coil, 60 VDC                  |
| TB-45-6  | Coil, 48 VDC                  |
| TB-45-7  | Coil, 30 VDC                  |
| TB-45-8  | Coil, 140 VDC                 |
| TB-45-9  | Coil, 24 VDC                  |
| TB-47-1  | Coil, 115 VDC                 |
| TB-47-2  | Coil, 230 VDC                 |
| TB-47-3  | Coil, 550 VDC                 |
| TB-54-11 | Coil                          |
| TB-57-1  | Coil, 115V                    |
| TB-57-10 | Coil, 24 VDC                  |
| TB-57-11 | Coil, 88 VDC                  |
| TB-57-12 | Coil, 176 VDC                 |
| TB-57-13 | Coil, 550 VDC                 |
| TB-57-14 | Coil, Superseded by TB-157-14 |
| TB-57-15 | Coil                          |
| TB-57-2  | Coil, 230V                    |
| TB-57-4  | Coil, 45 VDC                  |
| TB-57-5  | Coil, 60 VDC                  |
| TB-57-6  | Coil, 30 VDC                  |
| TB-57-7  | Coil, 18 VDC                  |
| TB-57-8  | Coil, 265 VDC                 |
| TB-57-9  | Coil, 12 VDC                  |
| TB-58-1  | Coil, 115V                    |
| TB-58-2  | Coil, 230V                    |
| TB-58-3  | Coil, 67.5 VDC                |
| TB-58-5  | Coil, 57.5 VDC                |
| TB-58-6  | Coil, 550 VDC                 |
| TB-58-7  | Coil                          |
| TB-6-1   | Coil                          |
| TB-6-10  | Coil                          |
| TB-6-11  | Coil                          |

This document utilizes an interactive table of contents to help you jump from one section to another. Click the button to return to the table of contents.

**RETURN TO  
TABLE OF CONTENTS**

Please contact us if desired coil is not listed, for our database is continually increasing in number of coils available. We can also manufacture most obsolete coils, call for details.

P. 800-310-5999 F. 330-648-2774  
sales@ohiocontact.com www.ohiocontact.com

**OEM No. DESCRIPTION**

|         |                  |
|---------|------------------|
| TB-6-12 | Coil             |
| TB-6-13 | Coil             |
| TB-6-14 | Coil             |
| TB-6-15 | Coil             |
| TB-6-16 | Coil             |
| TB-6-17 | Coil             |
| TB-6-18 | Coil             |
| TB-6-19 | Coil             |
| TB-6-2  | Coil             |
| TB-6-21 | Coil             |
| TB-6-22 | Coil             |
| TB-6-23 | Coil             |
| TB-6-24 | Coil             |
| TB-6-25 | Coil             |
| TB-6-26 | Coil             |
| TB-6-27 | Coil             |
| TB-6-28 | Coil             |
| TB-6-29 | Coil             |
| TB-6-3  | Coil             |
| TB-6-30 | Coil             |
| TB-6-31 | Coil             |
| TB-6-32 | Coil             |
| TB-6-33 | Coil             |
| TB-6-34 | Coil             |
| TB-6-35 | Coil             |
| TB-6-36 | Coil             |
| TB-6-37 | Coil             |
| TB-6-38 | Coil             |
| TB-6-39 | Coil             |
| TB-6-4  | Coil             |
| TB-6-40 | Coil             |
| TB-6-41 | Coil, 440 VAC 60 |
| TB-6-42 | CYC.             |
| TB-6-43 | Coil             |
| TB-6-44 | Coil             |
| TB-6-45 | Coil             |
| TB-6-46 | Coil             |
| TB-6-47 | Coil             |
| TB-6-48 | Coil             |
| TB-6-49 | Coil             |
| TB-6-5  | Coil             |
| TB-6-50 | Coil             |

This document utilizes an interactive table of contents to help you jump from one section to another. Click the button to return to the table of contents.

**RETURN TO  
TABLE OF CONTENTS**

Please contact us if desired coil is not listed, for our database is continually increasing in number of coils available. We can also manufacture most obsolete coils, call for details.

P. 800-310-5999 F. 330-648-2774  
sales@ohiocontact.com www.ohiocontact.com

| OEM No.  | DESCRIPTION              |
|----------|--------------------------|
| TB-6-51  | Coil                     |
| TB-6-52  | Coil                     |
| TB-6-53  | Coil                     |
| TB-6-54  | Coil                     |
| TB-6-55  | Coil                     |
| TB-6-56  | Coil                     |
| TB-6-57  | Coil                     |
| TB-6-58  | Coil                     |
| TB-6-6   | Coil                     |
| TB-6-60  | Coil                     |
| TB-6-7   | Coil                     |
| TB-6-8   | Coil                     |
| TB-6-9   | Coil                     |
| TB-61-13 | Coil                     |
| TB-65-1  | Coil, .06-.60 AMP        |
| TB-65-10 | Coil, .45-4.5 AMP        |
| TB-65-11 | Coil, .60-6.0 AMP        |
| TB-65-12 | Coil, .78-8.0 AMP        |
| TB-65-13 | Coil, 1.0-10.0 AMP       |
| TB-65-14 | Coil, 1.3-13.0 AMP       |
| TB-65-15 | Coil, 2.0-26.0 AMP       |
| TB-65-16 | Coil, 3.0-30.0 AMP       |
| TB-65-2  | Coil, .075-.75 AMP       |
| TB-65-3  | Coil, .095-.95 AMP       |
| TB-65-4  | Coil, .12-1.2 AMP        |
| TB-65-5  | Coil                     |
| TB-65-6  | Coil, .2 - 1.9 AMP       |
| TB-65-7  | Coil, .23-2.4 AMP        |
| TB-65-8  | Coil, .29-3.0 AMP        |
| TB-65-9  | Coil, .33-3.5 AMP        |
| TB-66-1  | Coil, 230 VDC            |
| TB-66-2  | Coil, 115 VDC            |
| TB-66-3  | Coil, 550 VDC            |
| TB-66-4  | Coil, 230 VDC Continuous |
| TB-70-1  | Coil                     |
| TB-70-10 | Coil                     |
| TB-70-13 | Coil                     |
| TB-70-14 | Coil                     |
| TB-70-36 | Coil                     |
| TB-70-9  | Coil                     |
| TB-78-1  | Coil                     |
| TB-78-19 | Coil                     |

This document utilizes an interactive table of contents to help you jump from one section to another. Click the button to return to the table of contents.

**RETURN TO  
TABLE OF CONTENTS**

**Please contact us if desired coil is not listed, for our database is continually increasing in number of coils available. We can also manufacture most obsolete coils, call for details.**

P. 800-310-5999 F. 330-648-2774  
sales@ohiocontact.com www.ohiocontact.com

**OEM No. DESCRIPTION**

|            |               |
|------------|---------------|
| TB-78-5    | Coil          |
| TB-78-7    | Coil          |
| TB-80-17   | Coil          |
| TB-80-19   | Coil          |
| TB-80-2    | Coil          |
| TB-80-47   | Coil          |
| TB-80-6    | Coil          |
| TB-80-8    | Coil          |
| TB-80-9    | Coil          |
| TB-80-A    | Coil          |
| TB-81-1    | Coil          |
| TB-81-2    | Coil          |
| TB-81-7    | Coil          |
| TB-85-5    | Coil          |
| TB-85-6    | Coil          |
| TB-86-1    | Coil          |
| TB-86-2    | Coil          |
| TB-86-3    | Coil          |
| TB-86-3-M1 | Coil, 250 VDC |
| TB-86-4    | Coil          |
| TB-86-5    | Coil          |
| TB-86-8    | Coil          |
| TB-91-74   | Coil          |
| TB-92-20   | Coil          |

This document utilizes an interactive table of contents to help you jump from one section to another. Click the button to return to the table of contents.

**RETURN TO  
TABLE OF CONTENTS**

**Please contact us if desired coil is not listed, for our database is continually increasing in number of coils available. We can also manufacture most obsolete coils, call for details.**

P. 800-310-5999 F. 330-648-2774  
sales@ohiocontact.com www.ohiocontact.com

## CUTLER HAMMER COILS

| OEM No.    | DESCRIPTION      |
|------------|------------------|
| 9-2526-1   | Coil, Size-2     |
| 9-2526-2   | Coil, Size-2     |
| 9-2526-3   | Coil, Size-2     |
| 9-2703-1   | Coil, Size-1 / 2 |
| 9-2703-2   | Coil, Size-1 / 2 |
| 9-2703-3   | Coil, Size-1 / 2 |
| 9-2756-1   | Coil, Size-3     |
| 9-2756-2   | Coil, Size-3     |
| 9-2756-3   | Coil, Size-3     |
| 9-2875-1   | Coil, Size-00    |
| 9-2875-2   | Coil, Size-00    |
| 9-2875-3   | Coil, Size-00    |
| 9-3825-1   | Coil, Size-1 / 2 |
| 9-3825-2   | Coil, Size-1 / 2 |
| 9-3825-3   | Coil, Size-1 / 2 |
| 9-1004-16  | Coil             |
| 9-1004-4   | Coil             |
| 9-1007-16  | Coil             |
| 9-1010-1   | Coil             |
| 9-1010-3   | Coil             |
| 9-1055-2   | Coil             |
| 9-1056-3   | Coil             |
| 9-1056-4   | Coil             |
| 9-1057-7   | Coil             |
| 9-1058-1   | Coil             |
| 9-1059-1   | Coil             |
| 9-1076-2   | Coil             |
| 9-1083-1   | Coil             |
| 9-109-6    | Coil             |
| 9-1119-1   | Coil             |
| 9-116-8    | Coil             |
| 9-118-1    | Coil             |
| 9-118-3    | Coil             |
| 9-130-4    | Coil             |
| 9-1318-110 | Coil             |
| 9-1323-1   | Coil             |
| 9-1323-68  | Coil             |
| 9-1332-1   | Coil             |
| 9-1346-4   | Coil             |

**Please contact us if desired coil is not listed, for our database is continually increasing in number of coils available. We can also manufacture most obsolete coils, call for details.**

P. 800-310-5999 F. 330-648-2774  
 sales@ohiocontact.com www.ohiocontact.com

This document utilizes an interactive table of contents to help you jump from one section to another. Click the button to return to the table of contents.

**RETURN TO  
TABLE OF CONTENTS**



This document utilizes an interactive table of contents to help you jump from one section to another. Click the button to return to the table of contents.

**RETURN TO  
TABLE OF CONTENTS**

| OEM No.   | DESCRIPTION           |
|-----------|-----------------------|
| 9-1347-1  | Coil                  |
| 9-1347-10 | Coil                  |
| 9-1347-11 | Coil, 240 VDC         |
| 9-1347-13 | Coil, 240 VDC         |
| 9-1359-1  | Coil                  |
| 9-1359-3  | Coil                  |
| 9-148-5   | Coil                  |
| 9-15-201  | Coil                  |
| 9-1510-2  | Coil                  |
| 9-1518-20 | Coil                  |
| 9-154-2   | Coil                  |
| 9-1549-1  | Coil, 230 VDC         |
| 9-1549-18 | Coil, 100 VDC         |
| 9-1549-2  | Coil, 115 VDC         |
| 9-1549-3  | Coil, 550 VDC         |
| 9-1552-1  | Coil                  |
| 9-1552-10 | Coil                  |
| 9-1552-15 | Coil                  |
| 9-1552-16 | Blowout Coil          |
| 9-1552-17 | Blowout Coil          |
| 9-1552-2  | Coil                  |
| 9-1552-3  | Coil                  |
| 9-1552-4  | Coil                  |
| 9-1552-7  | Coil                  |
| 9-1552-8  | Coil                  |
| 9-1553-1  | Coil                  |
| 9-1553-3  | Coil                  |
| 9-1582-1  | Blowout Coil, 100 AMP |
| 9-1582-2  | Coil                  |
| 9-1582-3  | Coil                  |
| 9-1583-1  | Coil, 230 VDC         |
| 9-1583-15 | Coil, 100 VDC         |
| 9-1583-2  | Coil, 115 VDC         |
| 9-1583-3  | Coil, 550 VDC         |
| 9-1583-4  | Coil, 32 VDC          |
| 9-1585-1  | Coil, 230 VDC         |
| 9-1585-18 | Coil, 100 VDC         |
| 9-1585-2  | Coil, 115 Volt        |
| 9-1585-6  | Coil, 74 VDC          |
| 9-1589-1  | Coil, 230 VDC         |
| 9-1589-10 | Coil                  |
| 9-1589-2  | Coil, 115 VDC         |

Please contact us if desired coil is not listed, for our database is continually increasing in number of coils available. We can also manufacture most obsolete coils, call for details.

P. 800-310-5999 F. 330-648-2774  
sales@ohiocontact.com www.ohiocontact.com

This document utilizes an interactive table of contents to help you jump from one section to another. Click the button to return to the table of contents.

**RETURN TO  
TABLE OF CONTENTS**

| OEM No.     | DESCRIPTION                          |
|-------------|--------------------------------------|
| 9-1589-6    | Coil, 71 VDC                         |
| 9-159-1     | Coil                                 |
| 9-159-16    | Coil                                 |
| 9-159-2     | Coil                                 |
| 9-159-3     | Coil                                 |
| 9-159-5     | Coil                                 |
| 9-159-6     | Coil                                 |
| 9-159-9     | Coil                                 |
| 9-1591-1    | Shunt Coil                           |
| 9-16-2004   | Coil                                 |
| 9-1639-5    | Coil                                 |
| 9-1641-10   | Coil                                 |
| 9-1641-11   | Series Coil                          |
| 9-1641-6    | Series Coil                          |
| 9-1641-7    | Series Coil                          |
| 9-1641-8    | Coil                                 |
| 9-1641-9    | Series Coil                          |
| 9-1678      | Coil                                 |
| 9-1688-1    | Coil, 230 VDC                        |
| 9-1688-2    | Coil, 115 VDC                        |
| 9-1688-6    | Coil                                 |
| 9-1688-8    | Coil, 100 VDC                        |
| 9-1717-2    | Coil, 230 VDC                        |
| 9-1717-2-M1 | 926 Modified Contactor Coil, 230 VDC |
| 9-1717-4    | Coil, 100 VDC                        |
| 9-1748-5    | Coil                                 |
| 9-179-16    | Coil                                 |
| 9-179-17    | Coil                                 |
| 9-179-35    | Coil                                 |
| 9-179-36    | Coil                                 |
| 9-179-37    | Coil                                 |
| 9-179-38    | Coil                                 |
| 9-179-39    | Coil                                 |
| 9-179-4     | Coil                                 |
| 9-179-42    | Coil                                 |
| 9-179-43    | Coil                                 |
| 9-179-5     | Coil                                 |
| 9-18-10     | Coil                                 |
| 9-18-11     | Coil                                 |
| 9-18-16     | Coil                                 |
| 9-18-18     | Coil                                 |
| 9-18-2014   | Coil                                 |

Please contact us if desired coil is not listed, for our database is continually increasing in number of coils available. We can also manufacture most obsolete coils, call for details.

P. 800-310-5999 F. 330-648-2774  
sales@ohiocontact.com www.ohiocontact.com

This document utilizes an interactive table of contents to help you jump from one section to another. Click the button to return to the table of contents.

**RETURN TO  
TABLE OF CONTENTS**

| OEM No.   | DESCRIPTION                    |
|-----------|--------------------------------|
| 9-18-27   | Blowout Coil                   |
| 9-18-29   | Coil                           |
| 9-18-3    | Coil                           |
| 9-18-30   | Coil                           |
| 9-18-32   | Coil                           |
| 9-18-4    | Coil                           |
| 9-18-5    | Coil                           |
| 9-18-6    | Coil                           |
| 9-18-7    | Coil                           |
| 9-1811-26 | Coil                           |
| 9-1811-74 | Coil                           |
| 9-1825    | Coil                           |
| 9-1887-1  | Coil, Size-0 / 1               |
| 9-1887-2  | Coil, Size-0 / 1               |
| 9-1887-3  | Coil, Size-0 / 1               |
| 9-1889-1  | Coil, Size-2 / 3               |
| 9-1889-2  | Coil, Size-2 / 3               |
| 9-1889-3  | Coil, Size-2 / 3               |
| 9-1891-1  | Coil, Size-3 / 4 / 5           |
| 9-1891-13 | Coil, Size-3 / 4 / 5           |
| 9-1891-3  | Coil, Size-3 / 4 / 5           |
| 9-193-4   | Coil                           |
| 9-1955-1  | Coil                           |
| 9-1956-1  | Coil                           |
| 9-1956-2  | Coil                           |
| 9-1957-1  | Coil                           |
| 9-1958-1  | Coil                           |
| 9-1958-2  | Coil                           |
| 9-1959-1  | Coil                           |
| 9-1959-2  | Coil                           |
| 9-196-17  | Blowout Coil                   |
| 9-1960-1  | Coil                           |
| 9-1960-2  | Coil                           |
| 9-1964-1  | Coil                           |
| 9-1964-2  | Coil                           |
| 9-1964-3  | Coil                           |
| 9-1965-1  | Coil                           |
| 9-1965-2  | Coil                           |
| 9-1965-3  | Coil, 15-19 HP, w/Conduit Fit. |
| 9-1967-1  | Coil                           |
| 9-1967-2  | Coil                           |
| 9-1967-3  | Coil                           |

Please contact us if desired coil is not listed, for our database is continually increasing in number of coils available. We can also manufacture most obsolete coils, call for details.

P. 800-310-5999 F. 330-648-2774  
sales@ohiocontact.com www.ohiocontact.com

This document utilizes an interactive table of contents to help you jump from one section to another. Click the button to return to the table of contents.

**RETURN TO  
TABLE OF CONTENTS**

| OEM No.   | DESCRIPTION                               |
|-----------|---|
| 9-1968-1  | Coil                                      |
| 9-1968-2  | Coil                                      |
| 9-1969-1  | Coil                                      |
| 9-1969-2  | Coil                                      |
| 9-1969-3  | Coil                                      |
| 9-1970-1  | Coil                                      |
| 9-1971-1  | Coil                                      |
| 9-1971-2  | Coil                                      |
| 9-1972-1  | Coil                                      |
| 9-1972-2  | Coil                                      |
| 9-1972-3  | Coil                                      |
| 9-1973-1  | Coil                                      |
| 9-1973-2  | Coil                                      |
| 9-1974-1  | Coil                                      |
| 9-1974-2  | Coil                                      |
| 9-1989-1  | Coil                                      |
| 9-20-105  | Coil                                      |
| 9-2126-1  | Coil                                      |
| 9-222F-15 | Coil                                      |
| 9-231-28  | Coil                                      |
| 9-231-29  | Blowout Coil                              |
| 9-231-7   | Coil                                      |
| 9-253-1   | Coil                                      |
| 9-253-11  | Coil, Shunt 14" 503                       |
| 9-253-8   | Coil                                      |
| 9-254-6   | Coil                                      |
| 9-254-7   | Coil                                      |
| 9-256-2   | Coil                                      |
| 9-256-3   | Coil                                      |
| 9-256-6   | Coil                                      |
| 9-256-9   | Coil                                      |
| 9-257-7   | Coil                                      |
| 9-259-5   | Coil, 46V                                 |
| 9-2628-1  | Series Coil, (804, 20HP 1Hr. 26HP 1/2Hr.) |
| 9-2628-2  | Coil                                      |
| 9-2628-3  | Coil                                      |
| 9-2637-1  | Coil                                      |
| 9-264-2   | Coil                                      |
| 9-264-4   | Coil                                      |
| 9-264-5   | Coil                                      |
| 9-265-1   | Series Coil                               |
| 9-265-10  | Coil                                      |

Please contact us if desired coil is not listed, for our database is continually increasing in number of coils available. We can also manufacture most obsolete coils, call for details.

P. 800-310-5999 F. 330-648-2774  
sales@ohiocontact.com www.ohiocontact.com

This document utilizes an interactive table of contents to help you jump from one section to another. Click the button to return to the table of contents.

**RETURN TO  
TABLE OF CONTENTS**

| OEM No.   | DESCRIPTION                     |
|-----------|---------------------------------|
| 9-265-13  | Coil                            |
| 9-265-2   | Series Brake Coil               |
| 9-265-4   | Coil                            |
| 9-265-5   | Coil                            |
| 9-265-7   | Coil                            |
| 9-265-8   | Series Coil                     |
| 9-265-9   | 18" Series Coil                 |
| 9-266-2   | Series Coil                     |
| 9-266-4   | Series Coil                     |
| 9-266-5   | Series Coil                     |
| 9-266-7   | Coil                            |
| 9-266-9   | Coil, 100HP 1 Hr., 135HP 1/2Hr. |
| 9-29-78   | Coil                            |
| 9-3-43    | Coil                            |
| 9-30-204  | Coil                            |
| 9-30-21   | Coil                            |
| 9-32-7    | Coil                            |
| 9-333-17  | Coil                            |
| 9-339-7   | Coil                            |
| 9-37-13   | Coil                            |
| 9-410-34  | Coil                            |
| 9-415-18  | Coil                            |
| 9-460-161 | Blowout Coil                    |
| 9-460-162 | Blowout Coil                    |
| 9-460-163 | Blowout Coil                    |
| 9-460-165 | Blowout Coil, DC                |
| 9-460-193 | Blowout Coil                    |
| 9-460-222 | Blowout Coil                    |
| 9-460-232 | Blowout Coil                    |
| 9-460-247 | Blowout Coil                    |
| 9-460-255 | Coil                            |
| 9-460-269 | Blowout Coil, AC                |
| 9-460-393 | Coil                            |
| 9-460-40  | Bar Wound Coil                  |
| 9-460-434 | Blowout Coil                    |
| 9-460-435 | Blowout Coil                    |
| 9-460-437 | Blowout Coil                    |
| 9-460-438 | Blowout Coil                    |
| 9-460-443 | Blowout Coil                    |
| 9-460-445 | Blowout Coil, 230 VDC           |
| 9-460-446 | Blowout Coil, 230 VDC           |
| 9-460-447 | Blowout Coil                    |

Please contact us if desired coil is not listed, for our database is continually increasing in number of coils available. We can also manufacture most obsolete coils, call for details.

P. 800-310-5999 F. 330-648-2774  
sales@ohiocontact.com www.ohiocontact.com

| OEM No.   | DESCRIPTION            |
|-----------|------------------------|
| 9-460-448 | Blowout Coil Left Hand |
| 9-460-449 | Blowout Coil Left Hand |
| 9-460-450 | Blowout Coil, DC       |
| 9-460-451 | Blowout Coil 550 VDC   |
| 9-460-459 | Blowout Coil           |
| 9-460-460 | Blowout Coil           |
| 9-460-462 | Blowout Coil, 220 VAC  |
| 9-460-463 | Blowout Coil, AC       |
| 9-460-496 | Blowout Coil           |
| 9-460-55  | Blowout Coil           |
| 9-460-99  | Blowout Coil           |
| 9-464-1   | Coil                   |
| 9-472-3   | Coil                   |
| 9-476-1   | Coil                   |
| 9-476-2   | Coil                   |
| 9-476-3   | Coil                   |
| 9-477-23  | Coil                   |
| 9-477-4   | Coil, 230V             |
| 9-481-3   | Coil                   |
| 9-483-17  | Coil                   |
| 9-483-6   | Coil                   |
| 9-483-7   | Coil                   |
| 9-487-51  | Coil                   |
| 9-4911-8  | Coil                   |
| 9-494-10  | Coil                   |
| 9-494-12  | Coil                   |
| 9-494-2   | Coil                   |
| 9-494-5   | Coil                   |
| 9-494-7   | Coil                   |
| 9-494-8   | Coil                   |
| 9-495-2   | Coil                   |
| 9-5-4     | Coil                   |
| 9-508-6   | Coil                   |
| 9-508-7   | Coil                   |
| 9-514-2   | Coil                   |
| 9-527-6   | Coil                   |
| 9-529-1   | Coil                   |
| 9-529-10  | Blowout Coil           |
| 9-529-17  | Coil                   |
| 9-529-2   | Coil                   |
| 9-529-3   | Coil                   |
| 9-529-4   | Coil                   |

This document utilizes an interactive table of contents to help you jump from one section to another. Click the button to return to the table of contents.

**RETURN TO  
TABLE OF CONTENTS**

Please contact us if desired coil is not listed, for our database is continually increasing in number of coils available. We can also manufacture most obsolete coils, call for details.

P. 800-310-5999 F. 330-648-2774  
sales@ohiocontact.com www.ohiocontact.com



This document utilizes an interactive table of contents to help you jump from one section to another. Click the button to return to the table of contents.

**RETURN TO  
TABLE OF CONTENTS**

| OEM No.    | DESCRIPTION          |
|------------|----------------------|
| 9-529-5    | Coil                 |
| 9-529-6    | Coil                 |
| 9-54-21    | Coil                 |
| 9-546-64   | Coil                 |
| 9-547-2    | Coil                 |
| 9-547-28   | Coil, 550 VDC        |
| 9-547-4    | Coil, 230 VDC        |
| 9-547-7    | Coil, 115 VDC        |
| 9-548-15   | Coil                 |
| 9-548-17   | Coil                 |
| 9-548-19   | Coil                 |
| 9-549-5    | Coil                 |
| 9-550-34-2 | Shading Coil         |
| 9-551-1    | Coil                 |
| 9-554-11   | Coil                 |
| 9-554-14   | Coil                 |
| 9-554-3    | Coil                 |
| 9-555-60   | Coil                 |
| 9-560-19   | Coil                 |
| 9-567-1    | Coil                 |
| 9-571-92-3 | Coil                 |
| 9-576-37   | Coil                 |
| 9-576-57   | Coil                 |
| 9-576-64   | Coil                 |
| 9-580-2    | Coil                 |
| 9-580-3    | Coil                 |
| 9-580-4    | Coil                 |
| 9-580-45   | Coil                 |
| 9-580-5    | Coil, 480V 60 Cycle  |
| 9-584-13   | Coil                 |
| 9-585-1    | Coil                 |
| 9-585-10   | Coil, 220V 50 Hz.    |
| 9-585-12   | Coil                 |
| 9-585-16   | Coil                 |
| 9-585-18   | Coil                 |
| 9-585-2    | Coil                 |
| 9-585-26   | Coil, 600V 60 Hz     |
| 9-585-28   | Coil, 110 VAC        |
| 9-585-3    | Coil                 |
| 9-585-4    | Coil, 480 VAC 60 CYC |
| 9-585-41   | Coil, 120 VAC        |
| 9-585-5    | Coil                 |

**Please contact us if desired coil is not listed, for our database is continually increasing in number of coils available. We can aslo manufacture most obsolete coils, call for details.**

P. 800-310-5999 F. 330-648-2774  
sales@ohiocontact.com www.ohiocontact.com

This document utilizes an interactive table of contents to help you jump from one section to another. Click the button to return to the table of contents.

**RETURN TO  
TABLE OF CONTENTS**

| OEM No.  | DESCRIPTION                  |
|----------|------------------------------|
| 9-585-59 | Coil                         |
| 9-585-6  | Coil, 550V 50 Hz             |
| 9-585-9  | Coil, 480 VAC, 60 CYC        |
| 9-591-10 | Coil, 240V, 60 CYC           |
| 9-591-11 | Coil, 480V, 60 CYC           |
| 9-591-12 | Coil, 600V, 60Hz             |
| 9-591-5  | Coil                         |
| 9-591-9  | Coil, 120 VAC                |
| 9-61-1   | Coil                         |
| 9-61-11  | Coil                         |
| 9-61-13  | Coil                         |
| 9-61-14  | Coil                         |
| 9-61-17  | Coil                         |
| 9-61-19  | Coil                         |
| 9-61-4   | Coil                         |
| 9-61-5   | Coil                         |
| 9-61-6   | Coil                         |
| 9-61-7   | Coil                         |
| 9-61-9   | Coil                         |
| 9-626-2  | Coil                         |
| 9-627-2  | Coil                         |
| 9-642-25 | Coil                         |
| 9-642-59 | Coil                         |
| 9-66-1   | Coil                         |
| 9-66-3   | Coil                         |
| 9-694-44 | Coil                         |
| 9-694-9  | Coil                         |
| 9-7-1    | Coil                         |
| 9-70-25  | Coil                         |
| 9-70-3   | Coil                         |
| 9-717-2  | Coil                         |
| 9-72-10  | Coil                         |
| 9-72-13  | Coil                         |
| 9-72-57  | Coil                         |
| 9-72-69  | Coil                         |
| 9-72-80  | Coil                         |
| 9-730-21 | Coil                         |
| 9-737-2  | Coil                         |
| 9-74-28  | Blowout Coil                 |
| 9-758-1  | Coil                         |
| 9-758-20 | Coil, 480V, 60 Hz 160 ft/lb. |
| 9-758-3  | Coil                         |

**Please contact us if desired coil is not listed, for our database is continually increasing in number of coils available. We can also manufacture most obsolete coils, call for details.**

P. 800-310-5999 F. 330-648-2774  
sales@ohiocontact.com www.ohiocontact.com

This document utilizes an interactive table of contents to help you jump from one section to another. Click the button to return to the table of contents.

**RETURN TO  
TABLE OF CONTENTS**

| OEM No.  | DESCRIPTION                  |
|----------|------------------------------|
| 9-758-4  | Coil, 480V, 60 Hz 125 ft/lb. |
| 9-827-1  | Coil                         |
| 9-827-10 | Coil                         |
| 9-827-11 | Coil                         |
| 9-827-2  | Coil                         |
| 9-827-3  | Coil                         |
| 9-827-4  | Coil                         |
| 9-827-5  | Coil                         |
| 9-827-6  | Coil                         |
| 9-827-7  | Coil                         |
| 9-827-8  | Coil                         |
| 9-827-9  | Coil                         |
| 9-838-2  | Coil                         |
| 9-840-1  | Coil                         |
| 9-840-2  | Coil                         |
| 9-840-3  | Coil                         |
| 9-840-4  | Coil                         |
| 9-840-5  | Coil                         |
| 9-840-6  | Coil                         |
| 9-840-7  | Coil                         |
| 9-841-1  | Brake Coil                   |
| 9-841-10 | Brake Coil                   |
| 9-841-11 | Brake Coil                   |
| 9-841-12 | Brake Coil                   |
| 9-841-13 | Brake Coil                   |
| 9-841-14 | Brake Coil                   |
| 9-841-15 | Brake Coil                   |
| 9-841-16 | 19" Brake Coil               |
| 9-841-2  | 19" Brake Coil               |
| 9-841-3  | Brake Coil                   |
| 9-841-4  | Brake Coil                   |
| 9-841-5  | Brake Coil                   |
| 9-841-6  | Brake Coil                   |
| 9-841-7  | Brake Coil                   |
| 9-841-8  | Brake Coil                   |
| 9-841-9  | Series Brake Coil            |
| 9-844-1  | 10" Brake Coil               |
| 9-844-2  | 10" Brake Coil               |
| 9-844-3  | 10" Brake Coil               |
| 9-844-4  | 10" Brake Coil               |
| 9-845-1  | 23" Brake Coil               |
| 9-845-10 | 23" Brake Coil               |

**Please contact us if desired coil is not listed, for our database is continually increasing in number of coils available. We can also manufacture most obsolete coils, call for details.**

P. 800-310-5999 F. 330-648-2774  
sales@ohiocontact.com www.ohiocontact.com

| OEM No.  | DESCRIPTION          |
|----------|----------------------|
| 9-845-11 | 23" Brake Coil       |
| 9-845-12 | 23" Brake Coil       |
| 9-845-2  | 23" Brake Coil       |
| 9-845-3  | 23" Brake Coil       |
| 9-845-4  | 23" Brake Coil       |
| 9-845-5  | 23" Brake Coil       |
| 9-845-6  | 23" Brake Coil       |
| 9-845-7  | 23" Brake Coil       |
| 9-845-8  | 23" Brake Coil       |
| 9-845-9  | 23" Brake Coil       |
| 9-847-1  | 8" Brake Coil        |
| 9-847-13 | 8" Brake Coil        |
| 9-847-14 | 8" Brake Coil        |
| 9-847-17 | Shunt Coil, 8" Brake |
| 9-847-2  | 8" Brake Coil        |
| 9-847-3  | 8" Brake Coil        |
| 9-847-4  | 8" Brake Coil        |
| 9-847-5  | 8" Brake Coil        |
| 9-847-6  | 8" Brake Coil        |
| 9-847-7  | 8" Brake Coil        |
| 9-85-7   | Coil                 |
| 9-85-8   | Coil                 |
| 9-86-8   | Contactactor Coil    |
| 9-86-9   | Contactactor Coil    |
| 9-864-1  | 10" Brake Coil       |
| 9-864-10 | 10" Brake Coil       |
| 9-864-12 | 10" Brake Coil       |
| 9-864-2  | 10" Shunt Coil       |
| 9-864-3  | 10" Brake Coil       |
| 9-864-4  | 10" Brake Coil       |
| 9-864-5  | 10" Brake Coil       |
| 9-864-6  | 10" Brake Coil       |
| 9-864-7  | 10" Brake Coil       |
| 9-864-8  | 10" Brake Coil       |
| 9-864-9  | 10" Brake Coil       |
| 9-865-1  | 13" Brake Coil       |
| 9-865-13 | 13" Brake Coil       |
| 9-865-14 | 13" Brake Coil       |
| 9-865-2  | 13" Brake Coil       |
| 9-865-3  | 13" Brake Coil       |
| 9-865-4  | 13" Brake Coil       |
| 9-865-5  | 13" Brake Coil       |

This document utilizes an interactive table of contents to help you jump from one section to another. Click the button to return to the table of contents.

**RETURN TO  
TABLE OF CONTENTS**

**Please contact us if desired coil is not listed, for our database is continually increasing in number of coils available. We can also manufacture most obsolete coils, call for details.**

P. 800-310-5999 F. 330-648-2774  
sales@ohiocontact.com www.ohiocontact.com

| OEM No.  | DESCRIPTION                |
|----------|----------------------------|
| 9-866-1  | 16" Shunt Coil             |
| 9-866-2  | 16" Brake Coil             |
| 9-866-3  | 16" Brake Coil             |
| 9-866-4  | 16" Brake Coil             |
| 9-866-5  | 16" Brake Coil             |
| 9-867-1  | 19" Brake Coil             |
| 9-867-2  | 19" Brake Coil             |
| 9-867-3  | 19" Brake Coil             |
| 9-867-4  | 19" Brake Coil             |
| 9-868-1  | 23" Brake Coil             |
| 9-868-2  | 23" Shunt Coil             |
| 9-871-1  | 10" Shunt Coil             |
| 9-871-10 | 10" Brake Coil             |
| 9-871-12 | 10" Coil                   |
| 9-871-13 | 10" Brake Coil             |
| 9-871-2  | 10" Brake Coil             |
| 9-871-3  | 10" Brake Coil             |
| 9-871-4  | 10" Brake Coil             |
| 9-871-5  | 10" Brake Coil             |
| 9-871-6  | 10" Brake Coil             |
| 9-871-7  | 10" Shunt Coil for Brakes  |
| 9-871-8  | 10" Shunt Coil for Brakes  |
| 9-871-9  | 10" Brake Coil             |
| 9-872-1  | 8" Brake Coil              |
| 9-872-10 | 8" Brake Coil              |
| 9-872-11 | 8" Shunt Coil for Brakes   |
| 9-872-12 | 8" Brake Coil              |
| 9-872-13 | 8" Brake Coil              |
| 9-872-14 | 8" Brake Coil              |
| 9-872-15 | 8" Brake Coil              |
| 9-872-16 | 8" Brake Coil              |
| 9-872-17 | 8" Brake Coil              |
| 9-872-18 | 8" Shunt Coil for Brakes   |
| 9-872-2  | 8" Brake Coil              |
| 9-872-3  | 8" Brake Coil              |
| 9-872-4  | 8" Brake Coil              |
| 9-872-5  | 10" Series Coil, 7.5-10 HP |
| 9-872-6  | 8" Brake Coil              |
| 9-872-7  | 8" Brake Coil              |
| 9-872-8  | 8" Brake Coil              |
| 9-872-9  | 8" Brake Coil              |
| 9-875-1  | 13" Brake Coil             |

This document utilizes an interactive table of contents to help you jump from one section to another. Click the button to return to the table of contents.

**RETURN TO  
TABLE OF CONTENTS**

Please contact us if desired coil is not listed, for our database is continually increasing in number of coils available. We can also manufacture most obsolete coils, call for details.

P. 800-310-5999 F. 330-648-2774  
sales@ohiocontact.com www.ohiocontact.com

This document utilizes an interactive table of contents to help you jump from one section to another. Click the button to return to the table of contents.

**RETURN TO  
TABLE OF CONTENTS**

| OEM No.  | DESCRIPTION                |
|----------|----------------------------|
| 9-875-10 | 13" Brake Coil             |
| 9-875-11 | 13" Brake Coil             |
| 9-875-12 | 13" Brake Coil             |
| 9-875-15 | 13" Brake Coil             |
| 9-875-16 | 13" Brake Coil             |
| 9-875-18 | 13" Brake Coil             |
| 9-875-2  | 13" Brake Coil             |
| 9-875-3  | 13" Brake Coil             |
| 9-875-4  | 13" Brake Coil             |
| 9-875-5  | 13" Brake Coil             |
| 9-875-6  | 13" Brake Coil             |
| 9-875-7  | 13" Shunt Coil             |
| 9-875-8  | 13" Brake Coil             |
| 9-875-9  | 13" Brake Coil             |
| 9-883-1  | 13" Brake Coil             |
| 9-883-10 | 13" Brake Coil             |
| 9-883-11 | 13" Brake Coil             |
| 9-883-2  | 13" Brake Coil             |
| 9-883-3  | 13" Brake Coil             |
| 9-883-4  | 13" Brake Coil             |
| 9-883-5  | 13" Brake Coil             |
| 9-883-6  | 13" Brake Coil             |
| 9-883-7  | 13" Series Coil for Brakes |
| 9-883-8  | 13" Brake Coil             |
| 9-883-9  | 13" Brake Coil             |
| 9-884-1  | 16" Brake Coil             |
| 9-884-10 | 16" Brake Coil             |
| 9-884-11 | 16" Brake Coil             |
| 9-884-2  | 16" Brake Coil             |
| 9-884-3  | 16" Brake Coil             |
| 9-884-4  | 16" Brake Coil             |
| 9-884-5  | 16" Brake Coil             |
| 9-884-6  | 16" Brake Coil             |
| 9-884-7  | 16" Brake Coil             |
| 9-884-8  | 16" Brake Coil             |
| 9-884-9  | 16" Brake Coil             |
| 9-885-1  | 19" Brake Coil             |
| 9-885-10 | 19" Brake Coil             |
| 9-885-11 | 19" Brake Coil             |
| 9-885-12 | 19" Brake Coil             |
| 9-885-13 | 19" Brake Coil             |
| 9-885-14 | 19" Brake Coil             |

Please contact us if desired coil is not listed, for our database is continually increasing in number of coils available. We can also manufacture most obsolete coils, call for details.

P. 800-310-5999 F. 330-648-2774  
sales@ohiocontact.com www.ohiocontact.com



| OEM No.  | DESCRIPTION                   |
|----------|-------------------------------|
| 9-885-15 | 19" Brake Coil                |
| 9-885-16 | 19" Brake Coil, 75-100 HP     |
| 9-885-17 | 19" Brake Coil                |
| 9-885-18 | 19" Brake Coil                |
| 9-885-19 | 19" Brake Coil                |
| 9-885-2  | 19" Brake Coil                |
| 9-885-20 | 19" Brake Coil                |
| 9-885-21 | 19" Brake Coil                |
| 9-885-22 | 19" Brake Coil                |
| 9-885-23 | 19" Brake Coil                |
| 9-885-24 | 19" Brake Coil                |
| 9-885-25 | 19" Brake Coil, 100-135 HP    |
| 9-885-27 | 19" Brake Coil                |
| 9-885-3  | 19" Brake Coil                |
| 9-885-4  | 19" Brake Coil                |
| 9-885-5  | 19" Brake Coil                |
| 9-885-6  | 19" Brake Coil                |
| 9-885-7  | 19" Brake Coil                |
| 9-885-8  | 19" Brake Coil                |
| 9-885-9  | 19" Brake Coil                |
| 9-886-1  | 23" Brake Coil                |
| 9-886-10 | 23" Brake Coil                |
| 9-886-13 | 23" Brake Coil                |
| 9-886-14 | 23" Brake Coil                |
| 9-886-2  | 23" Brake Coil                |
| 9-886-3  | 23" Brake Coil                |
| 9-886-4  | 23" Brake Coil                |
| 9-886-5  | 23" Brake Coil                |
| 9-886-6  | 23" Brake Coil                |
| 9-886-7  | 23" Brake Coil                |
| 9-886-8  | 23" Brake Coil, 200-265 HP    |
| 9-886-9  | 23" Brake Coil                |
| 9-888-1  | 19" Brake Coil                |
| 9-888-2  | 19" Brake Coil                |
| 9-888-3  | 19" Shunt Coil for Brakes     |
| 9-889-1  | 23" Shunt Coil                |
| 9-889-2  | 23" Brake Coil                |
| 9-889-3  | 23" Shunt Coil for Brakes     |
| 9-889-5  | 23" 505 Shunt Coil for Brakes |
| 9-890-1  | 16" Shunt Coil for 505 Brakes |
| 9-890-2  | 16" Brake Coil                |
| 9-890-3  | 16" Brake Coil                |

This document utilizes an interactive table of contents to help you jump from one section to another. Click the button to return to the table of contents.

**RETURN TO  
TABLE OF CONTENTS**

Please contact us if desired coil is not listed, for our database is continually increasing in number of coils available. We can also manufacture most obsolete coils, call for details.

P. 800-310-5999 F. 330-648-2774  
sales@ohiocontact.com www.ohiocontact.com

**OEM No. DESCRIPTION**

|          |                   |
|----------|-------------------|
| 9-91-12  | Coil              |
| 9-91-13  | Coil              |
| 9-91-16  | Coil              |
| 9-91-23  | Coil              |
| 9-91-29  | Coil              |
| 9-91-32  | Coil              |
| 9-91-36  | Coil              |
| 9-91-37  | Coil              |
| 9-91-38  | Coil              |
| 9-91-39  | Coil              |
| 9-91-40  | Coil              |
| 9-91-42  | Coil              |
| 9-91-5   | Coil              |
| 9-91-53  | Coil              |
| 9-91-55  | Coil              |
| 9-91-57  | Coil              |
| 9-91-58  | Coil              |
| 9-91-6   | Coil              |
| 9-91-61  | Coil              |
| 9-91-70  | Coil              |
| 9-91-73  | Coil              |
| 9-91-74  | Coil              |
| 9-91-81  | Coil              |
| 9-91-82  | Coil              |
| 9-91-84  | Coil              |
| 9-91-85  | Coil              |
| 9-91-86  | Coil              |
| 9-91-87  | Coil              |
| 9-91-88  | Coil              |
| 9-91-9   | Coil              |
| 9-92-12  | Coil              |
| 9-92-13  | Coil              |
| 9-92-20  | Coil              |
| 9-92-49  | Coil              |
| 9-92-55  | Coil              |
| 9-921-3  | Coil              |
| 9-928-2  | Coil              |
| 9-938-2  | Coil              |
| 9-940-1  | Coil              |
| 9-941-12 | Coil, 480 VAC     |
| 9-941-15 | Coil              |
| 9-941-17 | Coil, 440V 60 CYC |

**Please contact us if desired coil is not listed, for our database is continually increasing in number of coils available. We can also manufacture most obsolete coils, call for details.**

P. 800-310-5999 F. 330-648-2774  
sales@ohiocontact.com www.ohiocontact.com

This document utilizes an interactive table of contents to help you jump from one section to another. Click the button to return to the table of contents.

**RETURN TO  
TABLE OF CONTENTS**

| OEM No.     | DESCRIPTION           |
|-------------|-----------------------|
| 9-941-2     | Coil                  |
| 9-941-20    | Coil                  |
| 9-941-25    | Coil                  |
| 9-941-3     | Coil                  |
| 9-941-4     | Coil                  |
| 9-941-6     | Coil                  |
| 9-941-7     | Coil                  |
| 9-941-8     | Coil, 120V 60 Hz      |
| 9-9486-8    | Coil                  |
| 9-95-11     | Coil                  |
| 9-95-24     | Coil                  |
| 9-95-30     | Coil                  |
| 9-962-54    | Coil                  |
| 9-967-1     | Coil                  |
| 9-967-5     | Coil                  |
| 9-967-7     | Coil                  |
| 9-967-8     | Coil, 115 VDC         |
| 9-969-1     | Blowout Coil, 100 Amp |
| 9-969-2     | Blowout Coil          |
| 9-969-3     | Blowout Coil, 25 Amp  |
| 9-969-4     | Coil                  |
| 9-969-7     | Blowout Coil          |
| 9-976-7     | Coil                  |
| 9-986-8     | Coil                  |
| 9-A-12-27   | Coil                  |
| 969-4       | Coil                  |
| AC-164      | Coil                  |
| L483507G01  | Coil, 115V            |
| L483508G01  | Coil, 550V            |
| L548879G01  | Coil, 600V            |
| LR549720G01 | Coil, 250V            |
| S1596633    | Coil                  |

This document utilizes an interactive table of contents to help you jump from one section to another. Click the button to return to the table of contents.

**RETURN TO  
TABLE OF CONTENTS**

Please contact us if desired coil is not listed, for our database is continually increasing in number of coils available. We can also manufacture most obsolete coils, call for details.

P. 800-310-5999 F. 330-648-2774  
sales@ohiocontact.com www.ohiocontact.com

## FURNAS COILS

| OEM No.   | DESCRIPTION           |
|-----------|-----------------------|
| 75D73070F | Coil, Size-00 - 2 1/2 |
| 75D73070G | Coil, Size-00 - 2 1/2 |
| 75D73070A | Coil, Size-00 - 2 1/2 |
| 75D73070H | Coil, Size-00 - 2 1/2 |
| 75D73070C | Coil, Size-00 - 2 1/2 |
| 75D73251F | Coil, Size-3 - 3 1/2  |
| 75D73251G | Coil, Size-3 - 3 1/2  |
| 75D73251A | Coil, Size-3 - 3 1/2  |
| 75D73251H | Coil, Size-3 - 3 1/2  |
| 75D73251C | Coil, Size-3 - 3 1/2  |

This document utilizes an interactive table of contents to help you jump from one section to another. Click the button to return to the table of contents.

**RETURN TO  
TABLE OF CONTENTS**

**Please contact us if desired coil is not listed, for our database is continually increasing in number of coils available. We can also manufacture most obsolete coils, call for details.**

P. 800-310-5999 F. 330-648-2774  
sales@ohiocontact.com www.ohiocontact.com

## **GEMCO / MAGNETEK COILS**

| <b>OEM No.</b> | <b>DESCRIPTION</b> |
|----------------|--------------------|
| 635C247G16     | Shunt Coil         |
| 635C247G18     | Shunt Coil         |
| 635C256G16     | Shunt Coil         |
| 635C256G17     | Coil               |
| 635C256G18     | Shunt Coil         |
| 635C328G17     | Shunt Coil         |
| 635C328G18     | Shunt Coil         |
| 635C328G19     | Coil               |
| 635C328G20     | Coil               |
| 635C328G21     | Coil               |
| 635C328G22     | Coil               |
| 635C328G23     | Coil               |
| 635C328G24     | Coil               |
| 637C373G17     | Shunt Coil         |
| 637C384G17     | Shunt Coil         |
| 637C384G20     | Coil               |
| 637C502G18     | Coil               |
| 637C502G19     | Coil               |
| 637C502G20     | Coil               |
| 637C502G21     | Coil               |
| 637C502G22     | Coil               |
| 637C502G23     | Coil               |
| 637C504G17     | Shunt Coil         |
| 637C504G18     | Coil               |
| 637C504G20     | Coil               |
| 637C504G22     | Coil               |
| 637C504G23     | Coil               |
| 637C504G24     | Coil               |
| 637C504G25     | Coil               |
| 637C504G26     | Coil               |
| 637C504G27     | Coil               |
| 637C504G28     | Coil               |
| 637C504G29     | Coil               |
| 637C504G30     | Coil               |
| 637C523G17     | Coil               |
| 637C523G18     | Coil               |
| 637C523G19     | Coil               |
| 637C523G20     | Coil               |
| 637C523G21     | Coil               |
| 637C530G17     | Coil               |

**Please contact us if desired coil is not listed, for our database is continually increasing in number of coils available. We can aslo manufacture most obsolete coils, call for details.**

P. 800-310-5999 F. 330-648-2774  
 sales@ohiocontact.com www.ohiocontact.com

This document utilizes an interactive table of contents to help you jump from one section to another. Click the button to return to the table of contents.

**RETURN TO  
TABLE OF CONTENTS**

This document utilizes an interactive table of contents to help you jump from one section to another. Click the button to return to the table of contents.

**RETURN TO  
TABLE OF CONTENTS**

| OEM No.    | DESCRIPTION                        |
|------------|------------------------------------|
| 637C530G18 | Coil                               |
| 637C530G19 | Coil                               |
| 637C530G20 | Coil                               |
| 637C530G21 | Coil                               |
| 637C530G22 | Coil                               |
| 637C530G23 | Coil                               |
| 637C530G24 | Coil                               |
| 637C530G25 | Coil                               |
| 637C530G26 | Coil                               |
| 637C530G27 | Coil                               |
| 637C530G28 | Coil                               |
| 637C551G17 | Coil                               |
| 637C551G19 | Coil                               |
| 637C551G20 | Coil                               |
| 637C551G22 | Coil                               |
| 637C551G23 | Coil                               |
| 637C551G24 | Coil                               |
| 637C551G25 | Coil                               |
| 637C729G17 | Coil                               |
| 641C818G16 | Shunt Coil                         |
| 645C173G17 | Coil                               |
| 645C173G18 | Coil                               |
| 645C173G19 | Coil                               |
| 645C173G20 | Coil                               |
| 645C173G21 | Coil                               |
| 645C173G22 | Coil                               |
| 645C173G23 | Coil                               |
| 645C173G24 | Coil                               |
| 645C173G25 | Coil                               |
| 645C173G26 | Shunt Coil                         |
| 645C173G27 | Coil                               |
| 645C173G28 | Coil                               |
| 645C518G17 | Coil                               |
| 645C518G18 | Coil, 375 HP 1 Hr., 500 HP 1/2 Hr. |
| 645C545G17 | Shunt Coil                         |
| 645C545G18 | Coil                               |
| 645C545G18 | Coil                               |
| 645C545G20 | Coil                               |
| 645C545G21 | Coil                               |
| 645C545G22 | Coil                               |
| 645C545G23 | Coil                               |
| 645C545G24 | Coil                               |

Please contact us if desired coil is not listed, for our database is continually increasing in number of coils available. We can also manufacture most obsolete coils, call for details.

P. 800-310-5999 F. 330-648-2774  
sales@ohiocontact.com www.ohiocontact.com



| OEM No.    | DESCRIPTION      |
|------------|------------------|
| 645C545G27 | Coil             |
| 645C545G35 | Coil             |
| E004051    | Shunt Brake Coil |
| E004102    | Coil             |
| E004104    | Coil             |
| E004105    | Coil             |
| E004106    | Coil             |
| E004107    | Coil             |
| E004148    | Coil             |
| E004152    | Coil             |
| E004153    | Coil             |
| E004154    | Coil             |
| E004156    | Coil             |
| E004164    | Shunt Coil       |
| E004165    | Coil             |
| E004166    | Coil             |
| E004167    | Coil             |
| E004168    | Coil             |
| E004169    | Coil             |
| E005039    | Coil             |
| E005051    | Coil             |
| E005052    | Coil             |
| E005053    | Coil             |
| E005054    | Coil             |
| E006026    | Shunt Coil       |
| E006027    | Coil             |
| E006073    | Coil             |
| E006077    | Coil             |
| E006078    | Coil             |
| E006079    | Coil             |
| E006081    | Coil             |
| E006082    | Coil             |
| E006083    | Coil             |
| E006084    | Coil             |
| E006085    | Shunt Coil       |
| E006086    | Coil             |
| E006087    | Coil             |
| E007065    | Coil             |
| E007066    | Coil             |
| E007080    | Coil             |
| E007081    | Coil             |
| E007082    | Coil             |

**Please contact us if desired coil is not listed, for our database is continually increasing in number of coils available. We can also manufacture most obsolete coils, call for details.**

P. 800-310-5999 F. 330-648-2774  
 sales@ohiocontact.com www.ohiocontact.com

This document utilizes an interactive table of contents to help you jump from one section to another. Click the button to return to the table of contents.

**RETURN TO  
TABLE OF CONTENTS**

This document utilizes an interactive table of contents to help you jump from one section to another. Click the button to return to the table of contents.

**RETURN TO  
TABLE OF CONTENTS**

| OEM No. | DESCRIPTION           |
|---------|-----------------------|
| E007083 | Coil                  |
| E007087 | Coil                  |
| E007088 | Coil                  |
| E007089 | Coil                  |
| E007090 | Coil                  |
| E008026 | Shunt Coil            |
| E008052 | Coil                  |
| E008053 | Coil                  |
| E008054 | Coil                  |
| E008055 | Coil                  |
| E008056 | Coil                  |
| E008083 | Coil                  |
| E008084 | Shunt Coil            |
| E008085 | Coil                  |
| E008086 | Coil                  |
| E008087 | Coil                  |
| E008088 | Coil                  |
| E008089 | Coil                  |
| E008090 | Coil                  |
| E010049 | Shunt Coil            |
| E010109 | Coil                  |
| E010110 | Coil                  |
| E010111 | Coil                  |
| E010112 | Coil                  |
| E010113 | Coil                  |
| E010157 | Shunt Coil            |
| E010158 | Shunt Coil            |
| E010159 | Coil                  |
| E013026 | Shunt Coil, 32-40 VDC |
| E013058 | Coil                  |
| E013059 | Coil                  |
| E013060 | Coil                  |
| E013061 | Coil                  |
| E013062 | Coil                  |
| E013063 | Coil                  |
| E013083 | Coil                  |
| E013096 | Shunt Coil            |
| E013097 | Coil                  |
| E013098 | Coil                  |
| E013099 | Coil                  |
| E016026 | Shunt Coil            |
| E016054 | Coil                  |

Please contact us if desired coil is not listed, for our database is continually increasing in number of coils available. We can also manufacture most obsolete coils, call for details.

P. 800-310-5999 F. 330-648-2774  
sales@ohiocontact.com www.ohiocontact.com

**OEM No. DESCRIPTION**

|         |             |
|---------|-------------|
| E016055 | Coil        |
| E016056 | Coil        |
| E016057 | Coil        |
| E016058 | Coil        |
| E016059 | Coil        |
| E016083 | Shunt Coil  |
| E016084 | Shunt Coil  |
| E016085 | Coil        |
| E016086 | Coil        |
| E016087 | Coil        |
| E016088 | Coil        |
| E016089 | Coil        |
| E016090 | Coil        |
| E016091 | Coil        |
| E019025 | Coil, Shunt |
| E019061 | Coil        |
| E019062 | Coil        |
| E019063 | Coil        |
| E019064 | Coil        |
| E019083 | Shunt Coil  |
| E019084 | Shunt Coil  |
| E019085 | Coil        |
| E019086 | Coil        |
| E019087 | Coil        |
| E019088 | Coil        |
| E023026 | Shunt Coil  |
| E023053 | Coil        |
| E023054 | Coil        |
| E023077 | Shunt Coil  |
| E023078 | Coil        |
| E023079 | Coil        |
| E023080 | Coil        |
| E023081 | Coil        |
| E023082 | Coil        |
| E023083 | Coil        |
| E030024 | Shunt Coil  |
| E030029 | Coil        |
| E030030 | Coil        |

This document utilizes an interactive table of contents to help you jump from one section to another. Click the button to return to the table of contents.

**RETURN TO  
TABLE OF CONTENTS**

**Please contact us if desired coil is not listed, for our database is continually increasing in number of coils available. We can also manufacture most obsolete coils, call for details.**

P. 800-310-5999 F. 330-648-2774  
sales@ohiocontact.com www.ohiocontact.com

## GENERAL ELECTRIC COILS

| OEM No.    | DESCRIPTION      |
|------------|------------------|
| 011031-000 | Coil             |
| 106856     | Coil             |
| 106G002    | Coil             |
| 1440808    | Coil             |
| 15D21G002  | Coil, Size-0 - 1 |
| 15D21G003  | Coil, Size-0 - 1 |
| 15D21G004  | Coil, Size-0 - 1 |
| 15D22G002  | Coil, Size-2     |
| 15D22G003  | Coil, Size-2     |
| 15D22G004  | Coil, Size-2     |
| 15D10G137  | Coil             |
| 15D21G4    | Coil             |
| 15D6G4     | Coil             |
| 15D893J2   | Coil             |
| 15D9G2     | Coil             |
| 166233     | Coil             |
| 1812871G26 | Blowout Coil     |
| 1929619G2  | Coil             |
| 1D106G002  | Coil             |
| 1D106G10A  | Coil, 32V        |
| 1D106G12A  | Coil, 12V        |
| 1D106G14A  | Coil, 48/50V     |
| 1D106G18A  | Coil, 24V        |
| 1D106G2A   | Coil             |
| 1D106G30A  | Coil, 15/20V     |
| 1D106G3A   | Coil             |
| 1D106G42A  | Coil, 180/190V   |
| 1D106G43A  | Coil, 55/60V     |
| 1D106G51A  | Coil             |
| 1D106G54A  | Coil, 13.6V      |
| 1D106G7A   | Coil             |
| 1D106G8A   | Coil, 150V       |
| 1D106G93A  | Coil, 38V        |
| 1D106G94A  | Coil, 100V       |
| 1D1179G1   | Coil             |
| 1D16204    | Coil             |
| 1D16G202   | Coil             |
| 1D176G001  | Coil             |
| 1D176G100  | Series Coil      |

**Please contact us if desired coil is not listed, for our database is continually increasing in number of coils available. We can also manufacture most obsolete coils, call for details.**

P. 800-310-5999 F. 330-648-2774  
 sales@ohiocontact.com www.ohiocontact.com

This document utilizes an interactive table of contents to help you jump from one section to another. Click the button to return to the table of contents.

**RETURN TO  
TABLE OF CONTENTS**

| OEM No.   | DESCRIPTION           |
|-----------|-----------------------|
| 1D176G101 | Coil                  |
| 1D176G102 | Series Coil           |
| 1D176G103 | Coil                  |
| 1D176G104 | Coil                  |
| 1D176G105 | Coil                  |
| 1D176G106 | Coil                  |
| 1D176G107 | Coil                  |
| 1D176G108 | Coil                  |
| 1D176G109 | Coil                  |
| 1D176G110 | Coil                  |
| 1D176G111 | Coil                  |
| 1D176G112 | Coil                  |
| 1D176G113 | Coil                  |
| 1D176G114 | Coil, 31-45 HP        |
| 1D176G115 | Coil                  |
| 1D176G116 | Coil                  |
| 1D176G117 | Coil                  |
| 1D176G118 | Coil                  |
| 1D176G119 | Series Coil           |
| 1D176G120 | Coil                  |
| 1D176G121 | Coil                  |
| 1D176G122 | Series Coil, 21-26 HP |
| 1D176G123 | Coil                  |
| 1D177G001 | Coil                  |
| 1D177G100 | Coil                  |
| 1D177G101 | Coil, F1D177G1A       |
| 1D177G102 | Coil                  |
| 1D177G103 | Coil                  |
| 1D177G104 | Coil                  |
| 1D177G105 | Coil                  |
| 1D177G106 | Coil                  |
| 1D177G107 | Series Coil           |
| 1D177G108 | Coil                  |
| 1D177G109 | Series Coil, 15-19 HP |
| 1D177G110 | Coil                  |
| 1D177G111 | Coil                  |
| 1D177G112 | Coil, 25-33 HP        |
| 1D178G100 | Coil, 30-39 HP        |
| 1D178G101 | Coil                  |
| 1D178G102 | Coil                  |
| 1D178G103 | Coil                  |
| 1D178G104 | Coil                  |

This document utilizes an interactive table of contents to help you jump from one section to another. Click the button to return to the table of contents.

**RETURN TO  
TABLE OF CONTENTS**

Please contact us if desired coil is not listed, for our database is continually increasing in number of coils available. We can also manufacture most obsolete coils, call for details.

P. 800-310-5999 F. 330-648-2774  
sales@ohiocontact.com www.ohiocontact.com

This document utilizes an interactive table of contents to help you jump from one section to another. Click the button to return to the table of contents.

**RETURN TO  
TABLE OF CONTENTS**

| OEM No.   | DESCRIPTION           |
|-----------|-----------------------|
| 1D178G105 | Coil, 25-33 HP        |
| 1D178G106 | Coil                  |
| 1D178G107 | Coil                  |
| 1D178G108 | Coil                  |
| 1D178G109 | Coil                  |
| 1D178G110 | Coil                  |
| 1D178G111 | Coil                  |
| 1D178G112 | Coil                  |
| 1D178G113 | Coil                  |
| 1D178G114 | Coil                  |
| 1D178G1A  | Shunt Coil            |
| 1D178G3A  | Shunt Coil            |
| 1D179G100 | Coil                  |
| 1D179G101 | Coil                  |
| 1D179G102 | Coil                  |
| 1D179G103 | Series Coil           |
| 1D179G104 | Coil                  |
| 1D179G105 | Coil                  |
| 1D179G106 | Coil                  |
| 1D179G107 | Coil                  |
| 1D179G108 | Coil                  |
| 1D179G109 | Coil                  |
| 1D179G110 | Coil                  |
| 1D179G1A  | Coil                  |
| 1D179G1A  | Shunt Coil            |
| 1D179G3A  | Shunt Coil, 56.4 VDC  |
| 1D180G001 | Shunt Coil, F1D180G1A |
| 1D180G100 | Series Coil           |
| 1D180G101 | Series Coil           |
| 1D180G103 | Coil                  |
| 1D180G104 | Coil                  |
| 1D180G105 | Coil                  |
| 1D180G106 | Coil                  |
| 1D180G107 | Coil                  |
| 1D180G108 | Coil                  |
| 1D180G109 | Coil                  |
| 1D180G112 | Coil                  |
| 1D181G001 | Shunt Coil            |
| 1D181G100 | Coil                  |
| 1D181G101 | Coil                  |
| 1D181G102 | Coil                  |
| 1D181G103 | Coil                  |

Please contact us if desired coil is not listed, for our database is continually increasing in number of coils available. We can also manufacture most obsolete coils, call for details.

P. 800-310-5999 F. 330-648-2774  
sales@ohiocontact.com www.ohiocontact.com



This document utilizes an interactive table of contents to help you jump from one section to another. Click the button to return to the table of contents.

**RETURN TO  
TABLE OF CONTENTS**

| OEM No.     | DESCRIPTION                              |
|-------------|--|
| 1D181G104   | Coil                                     |
| 1D181G105   | Coil                                     |
| 1D181G106   | Coil                                     |
| 1D181G107   | Coil                                     |
| 1D181G108   | Series Coil, 150 HP 1/2 Hr. 200 HP 1 Hr. |
| 1D181G109   | Coil                                     |
| 1D181G110   | Coil                                     |
| 1D181G111   | Coil, 200-265 HP                         |
| 1D181G112   | Coil                                     |
| 1D181G113   | Coil                                     |
| 1D181G114   | Coil, 240/320 HP                         |
| 1D181G117   | 23" Series Coil                          |
| 1D300G2     | Coil                                     |
| 1D38G2      | Coil                                     |
| 1D38G4      | Coil                                     |
| 1D5G24      | Coil                                     |
| 1D93G105    | Coil                                     |
| 203798      | Coil                                     |
| 21C201G5    | Coil                                     |
| 22D101G102  | Coil                                     |
| 22D101G10A  | Coil, 300V                               |
| 22D101G111A | Coil, 135V                               |
| 22D101G112A | Coil, 275V                               |
| 22D101G113A | Coil, 50V                                |
| 22D101G115A | Coil, 165V                               |
| 22D101G118A | Coil, 100V                               |
| 22D101G119A | Coil, 38V                                |
| 22D101G11A  | Coil, 150V                               |
| 22D101G121A | Coil, 600V                               |
| 22D101G125A | Coil, 67V                                |
| 22D101G126A | Coil, 120V                               |
| 22D101G12A  | Coil, 180/190V                           |
| 22D101G14A  | 32 Volt Coil                             |
| 22D101G15A  | Coil, 90V                                |
| 22D101G16A  | Coil, 12V                                |
| 22D101G17A  | Coil, 380V                               |
| 22D101G18A  | Coil                                     |
| 22D101G2    | Coil                                     |
| 22D101G21A  | Coil, 18/20V                             |
| 22D101G25A  | Coil, 74V                                |
| 22D101G27A  | Coil, 28V                                |
| 22D101G2A   | Coil, Encapsulated                       |

Please contact us if desired coil is not listed, for our database is continually increasing in number of coils available. We can aslo manufacture most obsolete coils, call for details.

P. 800-310-5999 F. 330-648-2774  
sales@ohiocontact.com www.ohiocontact.com

This document utilizes an interactive table of contents to help you jump from one section to another. Click the button to return to the table of contents.

**RETURN TO  
TABLE OF CONTENTS**

| OEM No.    | DESCRIPTION        |
|------------|--------------------|
| 22D101G3A  | Coil               |
| 22D101G4A  | Coil, 62/68V       |
| 22D101G5A  | Coil, 475/500V     |
| 22D101G6A  | Coil, 550/600V     |
| 22D101G7A  | Coil, 78V          |
| 22D101G8A  | Coil, 48/50V       |
| 22D103G2   | Coil, 110V, 60 CYC |
| 22D11      | Coil               |
| 22D112G2   | Coil               |
| 22D112G4   | Coil               |
| 22D11E95   | Coil               |
| 22D11G110  | Coil               |
| 22D11G12   | Coil               |
| 22D11G168  | Coil               |
| 22D11G2    | Coil               |
| 22D11G21   | Coil               |
| 22D11G230A | Coil               |
| 22D11G25   | Coil               |
| 22D11G25A  | Coil, Encapsulated |
| 22D11G27   | Coil               |
| 22D11G3    | Coil, 125 VDC      |
| 22D11G4    | Coil               |
| 22D11G43A  | Coil               |
| 22D11G45A  | Coil               |
| 22D11G46A  | Coil               |
| 22D11G49A  | Coil               |
| 22D11G5    | Coil, 300 VDC      |
| 22D11G54   | Coil               |
| 22D11G55   | Coil               |
| 22D11G55A  | Coil               |
| 22D11G57   | Coil               |
| 22D11G58A  | Coil               |
| 22D11G59A  | Coil               |
| 22D11G6    | Coil, 500 VDC      |
| 22D11G61   | Coil               |
| 22D11G61A  | Coil               |
| 22D11G62   | Coil               |
| 22D11G65   | Coil               |
| 22D11G67A  | Coil               |
| 22D11G68   | Coil               |
| 22D11G68A  | Coil               |
| 22D11G70A  | Coil               |

Please contact us if desired coil is not listed, for our database is continually increasing in number of coils available. We can also manufacture most obsolete coils, call for details.

P. 800-310-5999 F. 330-648-2774  
sales@ohiocontact.com www.ohiocontact.com

This document utilizes an interactive table of contents to help you jump from one section to another. Click the button to return to the table of contents.

**RETURN TO  
TABLE OF CONTENTS**

| OEM No.    | DESCRIPTION                |
|------------|----------------------------|
| 22D11G71A  | Coil                       |
| 22D11G74   | Coil                       |
| 22D11G75A  | Coil, 5 ADC                |
| 22D11G76   | Coil                       |
| 22D11G77   | Coil, 40 ADC               |
| 22D11G8    | Coil, 600 VDC              |
| 22D11G86   | Coil                       |
| 22D11G86A  | Coil                       |
| 22D11G88A  | Coil                       |
| 22D11G95   | Coil                       |
| 22D11G96   | Coil, 25 ADC               |
| 22D12G10   | Coil                       |
| 22D135C14  | Coil                       |
| 22D135G102 | Coil                       |
| 22D135G103 | Coil                       |
| 22D135G2   | Coil                       |
| 22D135G202 | Coil                       |
| 22D135G22  | Coil                       |
| 22D135G3   | Coil                       |
| 22D135G8   | Coil                       |
| 22D136G14A | Encapsulated Coil, 190 VDC |
| 22D136G2   | Coil, 230/250 VDC          |
| 22D136G25A | Encapsulated Coil, 85 VDC  |
| 22D136G28A | Coil, 32 VDC               |
| 22D136G2A  | Coil, 230/250 VDC          |
| 22D136G3   | Coil, 115/225 VDC          |
| 22D136G5   | Coil, 500 VDC              |
| 22D136G6   | Coil, 600 VDC              |
| 22D136G9A  | Coil, 32 VDC               |
| 22D13G13A  | Coil                       |
| 22D13G2    | Coil, 250 VDC              |
| 22D13G20   | Coil, 250 VDC              |
| 22D13G2A   | Coil, 230/250 VDC          |
| 22D13G4    | Coil                       |
| 22D13G7    | Coil                       |
| 22D148G002 | Coil, 230 VDC              |
| 22D14G12   | Coil                       |
| 22D153G2   | Coil                       |
| 22D153G4   | Coil                       |
| 22D154G10A | Coil, 150V                 |
| 22D154G11A | Coil, 74V                  |
| 22D154G12A | Coil, 200V                 |

Please contact us if desired coil is not listed, for our database is continually increasing in number of coils available. We can also manufacture most obsolete coils, call for details.

P. 800-310-5999 F. 330-648-2774  
sales@ohiocontact.com www.ohiocontact.com

This document utilizes an interactive table of contents to help you jump from one section to another. Click the button to return to the table of contents.

**RETURN TO  
TABLE OF CONTENTS**

| OEM No.     | DESCRIPTION    |
|-------------|----------------|
| 22D154G13A  | Coil, 300V     |
| 22D154G15A  | Coil, 24V      |
| 22D154G17A  | Coil, 6V       |
| 22D154G18A  | Coil, 12V      |
| 22D154G21A  | Coil, 275V     |
| 22D154G22A  | Coil, 90V      |
| 22D154G29A  | Coil, 18/20V   |
| 22D154G2A   | Coil, 230/250V |
| 22D154G2A   | Coil           |
| 22D154G34A  | Coil, 38V      |
| 22D154G36A  | Coil, 100V     |
| 22D154G39A  | Coil, 440V     |
| 22D154G45A  | Coil           |
| 22D154G4A   | Coil, 475/500V |
| 22D154G5A   | Coil, 550V     |
| 22D154G6A   | Coil, 48/50V   |
| 22D154G9A   | Coil, 32V      |
| 22D155G3    | Coil           |
| 22D155G4    | Coil           |
| 22D156G2    | Coil           |
| 22D157G2    | Coil           |
| 22D157G4    | Coil           |
| 22D15B4     | Coil           |
| 22D15G2     | Coil           |
| 22D15G26    | Coil           |
| 22D15G3     | Coil           |
| 22D15G32    | Coil           |
| 22D15G4     | Coil           |
| 22D164G162  | Coil           |
| 22D164G3    | Coil           |
| 22D1692     | Coil           |
| 22D18G2     | Coil           |
| 22D1B68125A | Coil           |
| 22D23G2     | Coil           |
| 22D23G22    | Coil           |
| 22D23G3     | Coil           |
| 22D23G4     | Coil           |
| 22D26G4     | Coil           |
| 22D293      | Coil           |
| 22D2G261    | Coil           |
| 22D2G3      | Coil           |
| 22D2G4      | Coil           |

Please contact us if desired coil is not listed, for our database is continually increasing in number of coils available. We can also manufacture most obsolete coils, call for details.

P. 800-310-5999 F. 330-648-2774  
sales@ohiocontact.com www.ohiocontact.com

This document utilizes an interactive table of contents to help you jump from one section to another. Click the button to return to the table of contents.

**RETURN TO  
TABLE OF CONTENTS**

| OEM No.   | DESCRIPTION       |
|-----------|-------------------|
| 22D3G100  | Coil              |
| 22D45G27  | Coil              |
| 22D45G32  | Coil              |
| 22D45G9   | Coil              |
| 22D595G12 | Coil              |
| 22D63G14  | Coil              |
| 22D63G3   | DC Operating Coil |
| 22D63G8   | Coil              |
| 22D63GA   | Coil              |
| 22D72G4   | Coil              |
| 22D736G3  | Coil              |
| 22D74G2   | Coil              |
| 22D75G10A | Coil, 100V        |
| 22D75G11A | Coil, 300V        |
| 22D75G14A | Coil, 40V         |
| 22D75G15A | Coil, 32 VDC      |
| 22D75G16A | Coil, 180/190V    |
| 22D75G18A | Coil, 440V        |
| 22D75G19A | Coil, 550V        |
| 22D75G2   | Coil              |
| 22D75G21A | Coil, 275V        |
| 22D75G23A | Coil, 24V         |
| 22D75G24A | Coil, 110V        |
| 22D75G25A | Coil, 18/20V      |
| 22D75G26A | Coil, 12V         |
| 22D75G27A | Coil              |
| 22D75G28A | Coil, 16V         |
| 22D75G2A  | Coil              |
| 22D75G37A | Coil, 32 VDC      |
| 22D75G3A  | Coil, 125 VDC     |
| 22D75G4A  | Coil, 78V         |
| 22D75G5A  | Coil, 475/500V    |
| 22D75G6A  | Coil, 150V        |
| 22D75G7A  | Coil, 62/68V      |
| 22D75G8A  | Coil, 48/50V      |
| 22D75G9A  | Coil, 28V         |
| 22D77G2A  | Coil              |
| 22D82G102 | Coil              |
| 22D82G103 | Coil              |
| 22D82G104 | Coil              |
| 22D82G42  | Coil              |
| 22D85G201 | Coil              |

Please contact us if desired coil is not listed, for our database is continually increasing in number of coils available. We can also manufacture most obsolete coils, call for details.

P. 800-310-5999 F. 330-648-2774  
sales@ohiocontact.com www.ohiocontact.com

| OEM No.    | DESCRIPTION                    |
|------------|--------------------------------|
| 22D85G201A | Encapsulated Coil, 230/250 VDC |
| 22D85G202  | Coil, 115/125V                 |
| 22D85G203  | Coil                           |
| 22D85G204  | Coil, 500 VDC                  |
| 22D85G205  | Coil, 600 VDC                  |
| 22D87G10A  | Coil                           |
| 22D87G13   | Coil                           |
| 22D87G13A  | Coil                           |
| 22D87G2A   | Coil, 230 VDC                  |
| 22D882     | Coil                           |
| 22D8G26    | Coil                           |
| 22D8G38    | Coil                           |
| 22D95G1    | Coil                           |
| 22D95G10A  | Coil                           |
| 22D95G11A  | Coil                           |
| 22D95G12   | Coil                           |
| 22D95G13A  | Coil                           |
| 22D95G14A  | Coil                           |
| 22D95G15A  | Coil                           |
| 22D95G16A  | Coil                           |
| 22D95G17A  | Coil                           |
| 22D95G18A  | Coil                           |
| 22D95G19A  | Coil                           |
| 22D95G1A   | Coil                           |
| 22D95G20A  | Coil                           |
| 22D95G21A  | Coil                           |
| 22D95G22A  | Coil                           |
| 22D95G23A  | Coil                           |
| 22D95G2A   | Coil                           |
| 22D95G31   | Coil                           |
| 22D95G3A   | Coil                           |
| 22D95G4A   | Coil                           |
| 22D95G5A   | Coil                           |
| 22D95G6A   | Coil                           |
| 22D95G7A   | Coil                           |
| 22D95G8A   | Coil                           |
| 22D95G9A   | Coil                           |
| 22D95GL    | Coil                           |
| 235151     | Coil                           |
| 2419368    | Coil                           |
| 264B910G2  | Coil                           |
| 2728730    | Coil                           |

This document utilizes an interactive table of contents to help you jump from one section to another. Click the button to return to the table of contents.

**RETURN TO  
TABLE OF CONTENTS**

Please contact us if desired coil is not listed, for our database is continually increasing in number of coils available. We can also manufacture most obsolete coils, call for details.

P. 800-310-5999 F. 330-648-2774  
sales@ohiocontact.com www.ohiocontact.com



| OEM No.    | DESCRIPTION  |
|------------|--------------|
| 2738730    | Coil         |
| 2738781    | Coil         |
| 2738781G5  | Coil         |
| 27D14G12   | Coil         |
| 2833562G3  | Blowout Coil |
| 2833562G4  | Blowout Coil |
| 2835606G1  | Coil         |
| 3020084    | Coil         |
| 3020201    | Coil         |
| 3020914    | Coil         |
| 3022082    | Coil         |
| 3022114    | Coil         |
| 3022115    | Coil, 230V   |
| 3022116    | Coil, 480V   |
| 3022145    | Coil         |
| 3022146    | Coil         |
| 3022147    | Coil         |
| 3022148    | Coil         |
| 3024262    | Coil         |
| 3024265    | Coil         |
| 3027876    | Coil         |
| 3027959    | Coil         |
| 30B4265G17 | Coil         |
| 3121958    | Coil         |
| 3122083    | Coil         |
| 3122101    | Coil         |
| 3175400    | Coil         |
| 3175750    | Coil         |
| 3175751    | Coil         |
| 3175756    | Coil         |
| 3191065    | Coil         |
| 3193571    | Coil         |
| 3198256    | Coil         |
| 3198257    | Coil         |
| 3198601    | Coil         |
| 3198602    | Coil         |
| 3198605    | Coil         |
| 3198630    | Coil         |
| 3198631    | Coil         |
| 3198828    | Coil         |
| 3198840    | Coil         |
| 3198844    | Coil         |

This document utilizes an interactive table of contents to help you jump from one section to another. Click the button to return to the table of contents.

**RETURN TO  
TABLE OF CONTENTS**

Please contact us if desired coil is not listed, for our database is continually increasing in number of coils available. We can also manufacture most obsolete coils, call for details.

P. 800-310-5999 F. 330-648-2774  
sales@ohiocontact.com www.ohiocontact.com

| OEM No.     | DESCRIPTION  |
|-------------|--------------|
| 3198847     | Coil         |
| 3198878     | Coil         |
| 3198884     | Coil         |
| 3199019     | Coil         |
| 3199037     | Coil         |
| 3199049     | Coil         |
| 3199065     | Coil         |
| 3199069     | Coil         |
| 3199069-93  | Coil         |
| 3199211     | Coil         |
| 3199329     | Coil         |
| 3199707     | Coil         |
| 3199859     | Coil         |
| 3199860     | Coil         |
| 3199865     | Coil         |
| 3199877     | Coil         |
| 3199887     | Coil         |
| 3205016G2   | Coil         |
| 3206886G76  | Coil         |
| 3210057     | Coil         |
| 3240057     | Coil         |
| 3240164     | Coil         |
| 3243133     | Coil         |
| 3245002     | Coil         |
| 3245003     | Coil         |
| 3621707G2   | Blowout Coil |
| 366A732G1   | Coil         |
| 366A732G7   | Coil         |
| 366A772G3   | Coil         |
| 390B203G13  | Coil         |
| 393B103G20  | Coil         |
| 393B202G4   | Coil         |
| 393B203G15  | Coil         |
| 393B203G16  | Coil         |
| 393B203G18  | Coil         |
| 393B203G19  | Coil         |
| 393B203G21  | Coil         |
| 393B203G5   | Coil         |
| 393B207G    | Coil         |
| 393B207G2   | Coil         |
| 393B227G1   | Shunt Coil   |
| 393B227G104 | Coil         |

**Please contact us if desired coil is not listed, for our database is continually increasing in number of coils available. We can also manufacture most obsolete coils, call for details.**

P. 800-310-5999 F. 330-648-2774  
sales@ohiocontact.com www.ohiocontact.com

This document utilizes an interactive table of contents to help you jump from one section to another. Click the button to return to the table of contents.

**RETURN TO  
TABLE OF CONTENTS**

| OEM No.        | DESCRIPTION        |
|----------------|--------------------|
| 4327062-9      | Coil               |
| 460-393        | Coil               |
| 4735399        | Coil               |
| 4739181        | Coil               |
| 4739194        | Coil               |
| 4739194G1      | Coil               |
| 4739270        | Coil               |
| 4739333        | Coil               |
| 4739357        | Coil               |
| 4739365        | Coil               |
| 4739368        | Coil               |
| 4739369        | Coil               |
| 4739380        | Coil               |
| 4739399        | Coil               |
| 4739451        | Coil               |
| 4739452        | Coil               |
| 4739472        | Coil               |
| 4739477        | Coil               |
| 4969051-1      | Coil               |
| 5196330G1      | Coil               |
| 5196330G2      | Blowout Coil       |
| 5196330G3      | Blowout Coil       |
| 55-153472G4    | Coil               |
| 55-501336G002  | Coil, Size-3       |
| 55-501336G003  | Coil, Size-3       |
| 55-501336G004  | Coil, Size-3       |
| 55-501463G002  | Coil, Size-4       |
| 55-501463G003  | Coil, Size-4       |
| 55-501463G004  | Coil, Size-4       |
| 55-501493G004  | Coil, Size-5, 480V |
| 55-5302496G002 | Coil, Size-5       |
| 55-5302496G003 | Coil, Size-5       |
| 55-5302496G004 | Coil, Size-5       |
| 551G2          | Coil               |
| 551G42         | Coil               |
| 555C1336G2     | Coil               |
| 560D747G16     | Coil               |
| 612866C10      | Coil               |
| 612866G        | Coil               |
| 6174513G12     | Coil               |
| 6174513G7      | Coil               |
| 6174582G23     | Coil               |

**Please contact us if desired coil is not listed, for our database is continually increasing in number of coils available. We can aslo manufacture most obsolete coils, call for details.**

P. 800-310-5999 F. 330-648-2774  
sales@ohiocontact.com www.ohiocontact.com

This document utilizes an interactive table of contents to help you jump from one section to another. Click the button to return to the table of contents.

**RETURN TO  
TABLE OF CONTENTS**

| OEM No.     | DESCRIPTION             |
|-------------|-------------------------|
| 6174594G1   | Coil                    |
| 6174594G3   | Coil                    |
| 617513G5    | Coil                    |
| 6275084     | Coil                    |
| 6275084G2   | Coil                    |
| 6293206G9   | Coil                    |
| 6306768G4   | Coil                    |
| 6306774G37  | Coil                    |
| 6306774G39  | Coil                    |
| 6306774G58  | Coil                    |
| 658C255G03  | Coil                    |
| 68A993017G1 | Coil                    |
| 6960040G10  | Coil                    |
| 6960040G2   | Coil                    |
| 6960040G7   | Coil                    |
| 6967141     | Coil                    |
| 723B258G001 | Coil                    |
| 8087233G1   | Blowout Coil            |
| 8650563G4   | Blowout Coil w/ Support |
| 881617      | Coil                    |
| 8860486     | Coil                    |
| 8867619     | Coil                    |
| 9348300G9   | Blowout Coil            |
| 9605677G113 | Coil                    |
| 996097      | Coil                    |
| 9960997     | Coil                    |
| 99666442G1  | Coil                    |
| CR2820-1088 | Blowout Coil w/ Core    |
| D49G7       | Coil                    |

This document utilizes an interactive table of contents to help you jump from one section to another. Click the button to return to the table of contents.

**RETURN TO  
TABLE OF CONTENTS**

Please contact us if desired coil is not listed, for our database is continually increasing in number of coils available. We can also manufacture most obsolete coils, call for details.

P. 800-310-5999 F. 330-648-2774  
sales@ohiocontact.com www.ohiocontact.com

## SIEMENS COILS

### SIEMENS 3TF40 - 3TF43 COILS

| OEM No.      | DESCRIPTION |
|--------------|-------------|
| 3TY7403-0AC2 | Coil        |
| 3TY7403-0AK6 | Coil        |
| 3TY7403-0AM1 | Coil        |
| 3TY7403-0AP6 | Coil        |
| 3TY7403-0AU1 | Coil        |
| 3TY7403-0AV0 | Coil        |

### SIEMENS 3TF44 - 3TF45 COILS

| OEM No.      | DESCRIPTION |
|--------------|-------------|
| 3TY7443-0AC2 | Coil        |
| 3TY7443-0AK6 | Coil        |
| 3TY7443-0AM1 | Coil        |
| 3TY7443-0AP6 | Coil        |
| 3TY7443-0AU1 | Coil        |
| 3TY7443-0AV0 | Coil        |

### SIEMENS 3TF46 - 3TF47 COILS

| OEM No.      | DESCRIPTION |
|--------------|-------------|
| 3TY7463-0AC2 | Coil        |
| 3TY7463-0AK6 | Coil        |
| 3TY7463-0AM1 | Coil        |
| 3TY7463-0AP6 | Coil        |
| 3TY7463-0AU1 | Coil        |
| 3TY7463-0AV0 | Coil        |

Please contact us if desired coil is not listed, for our database is continually increasing in number of coils available. We can also manufacture most obsolete coils, call for details.

P. 800-310-5999 F. 330-648-2774  
sales@ohiocontact.com www.ohiocontact.com

This document utilizes an interactive table of contents to help you jump from one section to another. Click the button to return to the table of contents.

[RETURN TO  
TABLE OF CONTENTS](#)

## **SIEMENS 3TF48 - 3TF49 COILS**

| <b>OEM No.</b> | <b>DESCRIPTION</b> |
|----------------|--------------------|
| 3TY7483-0AC2   | Coil               |
| 3TY7483-0AK6   | Coil               |
| 3TY7483-0AM1   | Coil               |
| 3TY7483-0AP6   | Coil               |
| 3TY7483-0AU1   | Coil               |
| 3TY7483-0AV0   | Coil               |

## **SIEMENS 3TF50 - 3TF51 COILS**

| <b>OEM No.</b> | <b>DESCRIPTION</b> |
|----------------|--------------------|
| 3TY7503-0AC2   | Coil               |
| 3TY7503-0AK6   | Coil               |
| 3TY7503-0AM1   | Coil               |
| 3TY7503-0AP6   | Coil               |
| 3TY7503-0AU1   | Coil               |
| 3TY7503-0AV0   | Coil               |

## **SIEMENS 3TF52 - 3TF53 COILS**

| <b>OEM No.</b> | <b>DESCRIPTION</b> |
|----------------|--------------------|
| 3TY7523-0AC2   | Coil               |
| 3TY7523-0AK6   | Coil               |
| 3TY7523-0AM1   | Coil               |
| 3TY7523-0AP6   | Coil               |
| 3TY7523-0AU1   | Coil               |
| 3TY7523-0AV0   | Coil               |

**Please contact us if desired coil is not listed, for our database is continually increasing in number of coils available. We can also manufacture most obsolete coils, call for details.**

P. 800-310-5999 F. 330-648-2774  
sales@ohiocontact.com www.ohiocontact.com

This document utilizes an interactive table of contents to help you jump from one section to another. Click the button to return to the table of contents.

**RETURN TO  
TABLE OF CONTENTS**



## SIEMENS 3TF54 - 3TF55

| OEM No.      | DESCRIPTION |
|--------------|-------------|
| 3TY7543-0AC2 | Coil        |
| 3TY7543-0AK6 | Coil        |
| 3TY7543-0AM1 | Coil        |
| 3TY7543-0AP6 | Coil        |
| 3TY7543-0AU1 | Coil        |
| 3TY7543-0AV0 | Coil        |

## SIEMENS 3TF56 COILS

| OEM No.      | DESCRIPTION |
|--------------|-------------|
| 3TY7563-0AC2 | Coil        |
| 3TY7563-0AK6 | Coil        |
| 3TY7563-0AM1 | Coil        |
| 3TY7563-0AU1 | Coil        |
| 3TY7563-0AV0 | Coil        |

This document utilizes an interactive table of contents to help you jump from one section to another. Click the button to return to the table of contents.

**RETURN TO  
TABLE OF CONTENTS**

Please contact us if desired coil is not listed, for our database is continually increasing in number of coils available. We can also manufacture most obsolete coils, call for details.

P. 800-310-5999 F. 330-648-2774  
sales@ohiocontact.com www.ohiocontact.com

## SQUARE-D / EC&M COILS

| OEM No.       | DESCRIPTION           |
|---------------|-----------------------|
| 1326-S1-W35   | Coil                  |
| 1413-S3-313   | Coil                  |
| 1457-S2-W26   | Coil                  |
| 1477-S5-W24   | Coil                  |
| 1477S26W33    | Coil                  |
| 1478-S2-W23   | Coil                  |
| 1478-S5-W23   | Coil                  |
| 1861-SI-R-35B | Coil                  |
| 1950-S3-W26   | Coil                  |
| 1950-S3-W28   | Coil                  |
| 1950-S4-W28   | Coil                  |
| 2095-S1-U15-A | Coil                  |
| 2095S1V15A    | Coil                  |
| 2936-S1-C304  | Coil                  |
| 2936-S21-G11  | Coil                  |
| 31017-400-54  | Coil                  |
| 31021-400-60  | Coil                  |
| 31041-400-42  | Coil, Size-00 - 0 - 1 |
| 31041-400-47  | Coil, Size-00 - 0 - 1 |
| 31041-400-51  | Coil, Size-00 - 0 - 1 |
| 31041-400-60  | Coil, Size-00 - 0 - 1 |
| 31063-409-38  | Coil, Size-2          |
| 31063-409-47  | Coil, Size-2          |
| 31063-409-57  | Coil, Size-2          |
| 31074-400-38  | Coil, Size-3          |
| 31074-400-47  | Coil, Size-3          |
| 31074-400-57  | Coil, Size-3          |
| 31091-400-38  | Coil, Size-4          |
| 31091-400-47  | Coil, Size-4          |
| 31091-400-57  | Coil, Size-4          |
| 31096-400-09  | Coil, Size-5          |
| 31096-400-18  | Coil, Size-5          |
| 31096-400-24  | Coil, Size-5          |
| 3F10-A        | Coil                  |
| 3SO-240A      | Coil                  |
| 4491-SI-W29   | Encapsulated Coil     |
| 50903-132-53  | Coil, 14-17 HP        |
| 50903-132-55  | Coil                  |
| 50903-132-56  | Coil                  |
| 50903-132-57  | Series Coil           |

**Please contact us if desired coil is not listed, for our database is continually increasing in number of coils available. We can aslo manufacture most obsolete coils, call for details.**

P. 800-310-5999 F. 330-648-2774  
 sales@ohiocontact.com www.ohiocontact.com

This document utilizes an interactive table of contents to help you jump from one section to another. Click the button to return to the table of contents.

**RETURN TO  
TABLE OF CONTENTS**

| OEM No.      | DESCRIPTION   |
|--------------|---|
| 50903-132-58 | Series Coil   |
| 50903-132-63 | Coil  |
| 50903-132-66 | Coil  |
| 50903-132-67 | Coil  |
| 50904-132-51 | Coil, 8-11 HP   |
| 50904-132-53 | Series Coil, 19 HP - 1 HR Duty, 15 HP - 1/2 HR Duty.    |
| 50904-132-61 | Coil, Shunt   |
| 50904-132-66 | Coil  |
| 50904-132-69 | Coil  |
| 50904-224-56 | Coil  |
| 50904-224-57 | Coil, F-1023  |
| 50904-224-58 | Coil, F-1024  |
| 50904-224-59 | Series Coil, 23 HP - 1 HR Duty, 18 HP - 1/2 HR Duty.    |
| 50904-224-60 | Coil, F-1029  |
| 50904-224-61 | Coil, F-1026  |
| 50904-224-68 | Coil, F-1070  |
| 50904-224-70 | Shunt Coil, F-1072                                      |
| 50904-224-73 | Coil  |
| 50904-224-75 | Coil, F-1077  |
| 50905-132-52 | Coil  |
| 50905-132-55 | Coil  |
| 50905-132-57 | Coil  |
| 50905-132-58 | Coil, 32-42.5 HP  |
| 50905-132-59 | Coil, 35-47 HP, (Series A Brake)                        |
| 50905-132-71 | Coil  |
| 50905-132-76 | Shunt Coil, for Rectifier Operated - Single Brake F1350 |
| 50905-132-78 | Coil  |
| 50905-224-56 | Coil  |
| 50905-224-57 | Coil  |
| 50905-224-58 | Coil, 40-50 HP  |
| 50905-224-59 | Coil, 31-39 HP  |
| 50905-224-60 | Coil, 24-30 HP  |
| 50905-224-62 | Coil  |
| 50905-224-69 | Coil  |
| 50905-224-71 | Coil  |
| 50905-224-74 | Coil  |
| 50905-224-76 | Coil, F-1375  |
| 50905-224-77 | Coil, 140 VDC 8 Hr. Duty                                |
| 50906-132-56 | Coil, 42 Hp 1/2 Hr., 34 Hp 1 Hr.                        |
| 50906-132-57 | Coil, 45-57 HP  |
| 50906-132-58 | Coil, 54-68 HP  |
| 50906-132-59 | Coil  |

**Please contact us if desired coil is not listed, for our database is continually increasing in number of coils available. We can aslo manufacture most obsolete coils, call for details.**

P. 800-310-5999 F. 330-648-2774  
sales@ohiocontact.com www.ohiocontact.com

This document utilizes an interactive table of contents to help you jump from one section to another. Click the button to return to the table of contents.

**RETURN TO  
TABLE OF CONTENTS**

This document utilizes an interactive table of contents to help you jump from one section to another. Click the button to return to the table of contents.

**RETURN TO  
TABLE OF CONTENTS**

| OEM No.      | DESCRIPTION   |
|--------------|---|
| 50906-132-64 | Coil, Rectifier Operated  |
| 50906-132-68 | Shunt Coil  |
| 50906-224-56 | Coil, 76 HP 1 Hr., 96 HP 1/2 Hr.  |
| 50906-224-57 | Coil, 59-77 HP  |
| 50906-224-58 | Series Coil   |
| 50906-224-59 | Coil  |
| 50906-224-60 | Series Coil   |
| 50906-224-71 | Coil  |
| 50906-224-72 | Shunt Coil  |
| 50906-224-73 | Coil  |
| 50906-224-75 | Shunt Coil  |
| 50907-131-54 | Coil, 134-178 HP  |
| 50907-131-55 | Coil, 116-155 HP  |
| 50907-131-56 | Coil, 90-120 HP   |
| 50907-132-53 | Coil  |
| 50907-132-54 | Series Coil, 59 HP 1 Hour Service @ 230 VDC. 78 HP 1/2 Hour Service @ 230 VD. |
| 50907-132-68 | Shunt Coil  |
| 50908-131-52 | Series Coil   |
| 50908-131-53 | Coil, 180-245 HP  |
| 50908-131-54 | Coil, 120-170 HP  |
| 50908-131-55 | Series Coil, 105 HP 1 HR / 150 HP 1/2 HR                                      |
| 50908-132-58 | Coil, 90-125 HP   |
| 50908-132-63 | Shunt Coil  |
| 50908-251-59 | Coil  |
| 50908-251-62 | Coil  |
| 50908-251-66 | Shunt Coil  |
| 50908-252-51 | Coil, 80-102 HP   |
| 50908-252-52 | Coil, 90-117 HP   |
| 50908-252-53 | Coil, 127-160 HP  |
| 50908-252-54 | Coil  |
| 50908-252-55 | Coil, 162-206 HP  |
| 50908-252-56 | Coil, 185-235 HP  |
| 50908-252-57 | Coil, 252-320 HP  |
| 50908-252-58 | Coil, 290-365 HP  |
| 50909-016-55 | Encapsulated Series Coil with Steel Core. Rated 230 HP 1 HR., 300 HP 1/2 HR.  |
| 50909-016-56 | Coil  |
| 50909-016-57 | Coil, 315 HP - 1 HR Duty, 410 HP - 1/2 HR Duty. Potted on steel core.         |
| 50909-016-58 | Brake Coil, 30" Series  |
| 50909-017-52 | F-3051 Shunt Brake Coil   |
| 50909-017-57 | F-3056 Shunt Brake Coil   |
| 51007-037-52 | Shunt Coil  |
| 51007-038-50 | Coil, 440-580 HP  |

**Please contact us if desired coil is not listed, for our database is continually increasing in number of coils available. We can aslo manufacture most obsolete coils, call for details.**

P. 800-310-5999 F. 330-648-2774  
sales@ohiocontact.com www.ohiocontact.com

This document utilizes an interactive table of contents to help you jump from one section to another. Click the button to return to the table of contents.

**RETURN TO  
TABLE OF CONTENTS**

| OEM No.      | DESCRIPTION                   |
|--------------|-------------------------------|
| 51007-038-52 | Coil, 315-410 HP              |
| 51007-038-53 | Coil, 290-385 HP              |
| 51007-038-54 | Coil, 230-305 HP              |
| 51007-038-55 | Coil, 175-235 HP              |
| 51009-024-50 | Coil                          |
| 51009-024-52 | Coil                          |
| 51009-055-50 | Parking Coil                  |
| 51009-067-51 | Coil                          |
| 51011-024-52 | Service Magnet Coil           |
| 51011-049-50 | Parking Coil                  |
| 51011-049-51 | Parking Magnet Coil           |
| 51015-030-50 | Blowout Coil                  |
| 51015-054-50 | Blowout Coil                  |
| 51015-056-50 | Coil, 240V                    |
| 51015-056-51 | Coil, 120V                    |
| 51015-056-54 | Coil, 300V                    |
| 51015-056-55 | Coil, 190V                    |
| 51015-056-56 | Coil, 150 VDC                 |
| 51015-056-57 | Coil, 75V                     |
| 51015-056-58 | Coil, 100V                    |
| 51015-056-59 | Coil, 60V                     |
| 51015-056-60 | Coil, 45V                     |
| 51015-056-61 | Coil, 36V                     |
| 51015-056-62 | Coil, 24V                     |
| 51015-056-63 | Coil, 12V                     |
| 51015-056-64 | Coil, 6V                      |
| 51015-205-50 | Blowout Coil Assembly         |
| 51016-213-50 | Coil                          |
| 51016-217-01 | Blowout Coil Mounting Bracket |
| 51017-054-50 | Blowout Coil                  |
| 51017-056-50 | Coil 240V                     |
| 51017-056-51 | Coil 120V                     |
| 51017-056-54 | Coil, 300V                    |
| 51017-056-55 | Coil, 190V                    |
| 51017-056-56 | Coil, 150V                    |
| 51017-056-57 | Coil, 100V                    |
| 51017-056-59 | Coil 60V                      |
| 51017-056-60 | Coil, 45V                     |
| 51017-056-61 | Coil, 36V                     |
| 51017-056-62 | Coil, 24V                     |
| 51017-056-63 | Coil, 12V                     |
| 51017-056-64 | Coil, 6V                      |

Please contact us if desired coil is not listed, for our database is continually increasing in number of coils available. We can also manufacture most obsolete coils, call for details.

P. 800-310-5999 F. 330-648-2774  
sales@ohiocontact.com www.ohiocontact.com

This document utilizes an interactive table of contents to help you jump from one section to another. Click the button to return to the table of contents.

**RETURN TO  
TABLE OF CONTENTS**

| OEM No.      | DESCRIPTION                    |
|--------------|--------------------------------|
| 51017-067-51 | Coil                           |
| 51017-067-52 | Coil                           |
| 51017-067-53 | Coil                           |
| 51017-067-56 | Coil, 75V                      |
| 51017-067-57 | Coil, 60V                      |
| 51017-067-58 | Coil, 45V                      |
| 51017-067-59 | Coil, 36V                      |
| 51017-067-60 | Coil, 24V                      |
| 51017-067-61 | Coil, 12V                      |
| 51017-067-62 | Coil, 6V                       |
| 51017-205-50 | Blowout Coil Assembly          |
| 51019-056-50 | Coil, 240V                     |
| 51019-056-51 | Coil, 120V                     |
| 51019-067-51 | Coil                           |
| 51019-067-54 | Operating Coil, 120V           |
| 51019-157-50 | Blowout Coil Assembly, Size-5A |
| 51019-205-50 | Blowout Coil Assembly          |
| 51019-243-52 | Coil, 300V                     |
| 51019-243-53 | Coil, 230/240V                 |
| 51019-243-54 | Coil, 190V                     |
| 51019-243-55 | Coil, 150V                     |
| 51019-243-56 | Coil, 115/120V                 |
| 51019-243-57 | Coil, 100V                     |
| 51019-243-58 | Coil, 75V                      |
| 51019-243-59 | Coil, 60V                      |
| 51019-243-60 | Coil, 45V                      |
| 51019-243-61 | Coil, 36V                      |
| 51019-243-62 | Coil, 24V                      |
| 51019-243-63 | Coil, 12V                      |
| 51019-243-64 | Coil, 6V                       |
| 51019-274-01 | Coil                           |
| 51019-287-50 | Blowout Coil Assembly          |
| 51020-054-50 | Blowout Coil Assembly          |
| 51020-056-71 | Coil, 240V                     |
| 51020-056-74 | Coil, 115-120 VDC              |
| 51020-067-71 | Coil                           |
| 51020-205-50 | Blowout Coil Assembly          |
| 51020-243-52 | Coil, 300V                     |
| 51020-243-53 | Coil, 230/240V                 |
| 51020-243-54 | Coil, 190V                     |
| 51020-243-55 | Coil, 150V                     |
| 51020-243-56 | Coil, 115/120V                 |

Please contact us if desired coil is not listed, for our database is continually increasing in number of coils available. We can also manufacture most obsolete coils, call for details.

P. 800-310-5999 F. 330-648-2774  
sales@ohiocontact.com www.ohiocontact.com



This document utilizes an interactive table of contents to help you jump from one section to another. Click the button to return to the table of contents.

**RETURN TO  
TABLE OF CONTENTS**

| OEM No.      | DESCRIPTION                    |
|--------------|--------------------------------|
| 51020-243-57 | Coil, 100V                     |
| 51020-243-58 | Coil, 75V                      |
| 51020-243-59 | Coil, 60V                      |
| 51020-243-60 | Coil, 45V                      |
| 51020-243-61 | Coil, 36V                      |
| 51020-243-62 | Coil, 24V                      |
| 51020-243-63 | Coil, 12V                      |
| 51020-243-64 | Coil, 6V                       |
| 51020-283-50 | Blowout Coil Assembly, 800 Amp |
| 51021-052-50 | Blowout Coil Guard             |
| 51021-066-01 | Blowout Coil Assembly          |
| 51021-105-50 | Blowout Coil Assembly          |
| 51022-056-70 | Coil, 300V                     |
| 51022-056-71 | Coil, 230/240V                 |
| 51022-056-72 | Coil, 190V                     |
| 51022-056-73 | Coil, 150V                     |
| 51022-056-74 | Coil, 115/120V                 |
| 51022-056-76 | Coil, 75V                      |
| 51022-056-77 | Coil, 60V                      |
| 51022-056-79 | Coil, 36V                      |
| 51022-056-80 | Coil, 24V                      |
| 51022-056-81 | Coil, 12V                      |
| 51022-066-01 | Blowout Coil                   |
| 51022-067-71 | Coil                           |
| 51022-138-50 | Blowout Coil Assembly          |
| 51064-008-50 | Blowout Coil Assembly          |
| 51064-034-50 | Blowout Coil Assembly          |
| 51065-020-50 | Assembled Blowout Coil         |
| 51066-030-51 | Blowout Coil & Contact Bracket |
| 51066-030-52 | Blowout Coil & Contact Bracket |
| 51152-033-01 | Coil                           |
| 51152-033-01 | Coil                           |
| 51152-033-03 | Coil                           |
| 51152-036-50 | Coil                           |
| 51152-036-51 | Coil                           |
| 51152-036-52 | Coil                           |
| 51152-036-53 | Coil                           |
| 51152-036-54 | Coil                           |
| 51152-036-55 | Coil                           |
| 51152-044-50 | Coil, 230/240V                 |
| 51152-044-51 | Coil, 115/120V                 |
| 51152-054-50 | Coil 240V                      |

Please contact us if desired coil is not listed, for our database is continually increasing in number of coils available. We can also manufacture most obsolete coils, call for details.

P. 800-310-5999 F. 330-648-2774  
sales@ohiocontact.com www.ohiocontact.com

| OEM No. | DESCRIPTION |
|---------|-------------|
|---------|-------------|

|              |             |
|--------------|-------------|
| 51152-057-51 | Coil        |
| 51152-057-54 | Coil        |
| 51152-077-50 | Coil        |
| 51152-077-51 | Series Coil |
| 51152-077-52 | Series Coil |
| 51152-077-53 | Series Coil |
| 51152-077-54 | Series Coil |
| 51152-077-55 | Series Coil |
| 51152-077-56 | Series Coil |
| 51152-077-57 | Series Coil |
| 51152-077-58 | Series Coil |
| 51152-077-59 | Coil        |
| 51152-077-60 | Series Coil |
| 51152-077-61 | Series Coil |
| 51152-077-62 | Series Coil |
| 51152-077-63 | Series Coil |
| 51152-077-64 | Series Coil |
| 51152-078-50 | Series Coil |
| 51152-078-51 | Series Coil |
| 51152-078-52 | Series Coil |
| 51152-078-53 | Series Coil |
| 51152-078-54 | Series Coil |
| 51152-078-55 | Series Coil |
| 51152-078-56 | Series Coil |
| 51152-078-57 | Series Coil |
| 51152-078-58 | Series Coil |
| 51152-079-02 | Series Coil |
| 51152-079-03 | Series Coil |
| 51152-079-04 | Series Coil |
| 51156-026-51 | Coil        |
| 51156-026-52 | Coil        |
| 51156-026-53 | Coil        |
| 51156-026-54 | Coil        |
| 51156-026-55 | Coil        |
| 51156-026-56 | Coil        |
| 51156-026-58 | Coil        |
| 51156-081-51 | Coil        |
| 51156-081-52 | Coil        |
| 51156-081-53 | Coil        |
| 51156-081-54 | Coil        |
| 51156-081-55 | Coil        |
| 51156-081-56 | Coil        |

**Please contact us if desired coil is not listed, for our database is continually increasing in number of coils available. We can aslo manufacture most obsolete coils, call for details.**

P. 800-310-5999 F. 330-648-2774  
 sales@ohiocontact.com www.ohiocontact.com

This document utilizes an interactive table of contents to help you jump from one section to another. Click the button to return to the table of contents.

**RETURN TO  
TABLE OF CONTENTS**

This document utilizes an interactive table of contents to help you jump from one section to another. Click the button to return to the table of contents.

**RETURN TO  
TABLE OF CONTENTS**

| OEM No.        | DESCRIPTION                               |
|----------------|---|
| 51156-081-57   | Coil                                      |
| 739-SS-W10     | Coil                                      |
| 7390-1461      | Blowout Coil                              |
| 739D15G1       | Blowout Coil                              |
| 756-575-68     | Coil                                      |
| AL-104-A       | Coil, 35 HP 110V, 75 HP 220V, 175 HP 550V |
| AT-13044       | Parking Coil                              |
| AT-13048-A     | Coil                                      |
| AT-13055-A     | Coil                                      |
| AT-13056       | Parking Coil                              |
| AT-13057-A     | Parking Coil                              |
| CO-124-A       | Blowout Coil                              |
| CO-429-A       | Coil                                      |
| CO-88          | Coil                                      |
| CO-88-A        | Coil                                      |
| CO-88-A-5603   | Coil                                      |
| CO-89-A        | Coil                                      |
| CO-91-A        | Coil                                      |
| CO88A4007      | Coil                                      |
| CO88A5620      | Coil                                      |
| CO89A4612      | Coil                                      |
| DL-4063-A      | Blowout Coil, 800 Amp                     |
| FA-73-A        | Blowout Coil                              |
| FA-74-A        | Blowout Coil                              |
| FA-81          | Blowout Coil                              |
| FA-87-A        | Blowout Coil                              |
| FD-2-A         | Coil, 115V                                |
| FD-3-A         | Coil                                      |
| FK-8-A         | Coil                                      |
| FK-8-AE        | Coil                                      |
| FK-9-A         | Coil                                      |
| FK-9-AE        | Coil                                      |
| K-395          | Coil                                      |
| L-1010-A       | Coil                                      |
| L-1010-AE      | Coil, 230 VDC, Encapsulated               |
| L-1011-A       | Magnet Coil                               |
| L-1011-AE      | Coil, 115 VDC, Encapsulated               |
| L-1012-AE      | Coil, 57.5V                               |
| L-1038-AE      | Coil, 57.5V                               |
| L-1113-A       | Retarding Coil, 230V                      |
| L-1114-A       | Retarding Coil, 115V                      |
| L-1487-SI-S26B | Coil                                      |

Please contact us if desired coil is not listed, for our database is continually increasing in number of coils available. We can also manufacture most obsolete coils, call for details.

P. 800-310-5999 F. 330-648-2774  
sales@ohiocontact.com www.ohiocontact.com

This document utilizes an interactive table of contents to help you jump from one section to another. Click the button to return to the table of contents.

**RETURN TO  
TABLE OF CONTENTS**

| OEM No.         | DESCRIPTION                                |
|-----------------|--|
| L-1707          | Coil                                       |
| L-1721          | Coil Terminal Stud                         |
| L-1722          | Coil Terminal Stud                         |
| L-1730-A        | Blowout Coil                               |
| L-1861-SI-R35B  | Coil                                       |
| L-2010-A        | Coil                                       |
| L-2010-AE       | Encapsulated Coil                          |
| L-2011-AE       | Encapsulated Coil                          |
| L-2012-AE       | Coil                                       |
| L-2038-AE       | Coil                                       |
| L-2080-A        | Coil                                       |
| L-2116-A        | Coil, 230V                                 |
| L-2116-AE       | Coil, 230 VDC, Encapsulated                |
| L-2117-A        | Coil, 115V                                 |
| L-2117-AE       | Coil, 115 VDC, Encapsulated                |
| L-2149-AE       | Coil                                       |
| L-2175-A        | Coil                                       |
| L-2188-AE       | Coil                                       |
| L-2304          | Blowout Coil                               |
| L-2305          | Blowout Coil                               |
| L-2392          | Blowout Coil                               |
| L-2393          | Blowout Coil                               |
| L-2730-A        | Blowout Coil & Contact Bracket             |
| L-2937-SI-032B  | Coil                                       |
| L-2938-S1-138   | Coil                                       |
| L-2959-S1-W32-B | Coil                                       |
| L-3011-AE       | Coil                                       |
| L-3012-AE       | Coil                                       |
| L-3038-AE       | Coil                                       |
| L-3113-A        | Retarding Coil, 230 VDC                    |
| L-3113-AE       | Redarding Coil, 230 VDC, Encapsulated      |
| L-3114-A        | Retarding Coil, 115 VDC                    |
| L-3114-AE       | Retarding Coil, 115 VDC Encapsulated       |
| L-3730-A        | Blowout Coil                               |
| L-3745-A        | Blowout Coil & Contact Bracket, 300 Amp AC |
| L-3747-A        | Blowout Coil & Contact Bracket, 400 Amp AC |
| L-4113-A        | Retarding Coil                             |
| L-4113-AE       | Retarding Coil, 230V                       |
| L-4114-A        | Retarding Coil                             |
| L-4114-AE       | Retarding Coil, 115V                       |
| L-4328-A        | Blowout Coil & Contact Bracket, 600 Amp    |
| L-4329-A        | Blowout Coil & Contact Bracket, 800 Amp    |

**Please contact us if desired coil is not listed, for our database is continually increasing in number of coils available. We can aslo manufacture most obsolete coils, call for details.**

P. 800-310-5999 F. 330-648-2774  
sales@ohiocontact.com www.ohiocontact.com

This document utilizes an interactive table of contents to help you jump from one section to another. Click the button to return to the table of contents.

**RETURN TO  
TABLE OF CONTENTS**

| OEM No.    | DESCRIPTION                      |
|------------|----------------------------------|
| L-4450     | Blowout Coil                     |
| L-4457-A   | Blowout Coil & Bracket, 600 Amp  |
| L-4458-A   | Blowout Coil & Bracket, 800 Amp  |
| L-4730-A   | Blowout Coil & Bracket #4, 3A    |
| L-4731-A   | Blowout Coil & Bracket           |
| L-6010-A   | Assembled Blowout Coil & Bracket |
| L-6011-A   | Assembled Blowout Coil & Bracket |
| L-6130-A   | Coil                             |
| L-6345-A   | Blowout Coil & Bracket           |
| L-775S1    | Coil                             |
| LT-1016-A  | Coil                             |
| LT-1016-AE | Magnet Coil                      |
| LT-1017-A  | Coil                             |
| LT-1017-AE | Encapsulated Coil                |
| LT-1033    | Blowout Coil                     |
| LT-1109-A  | Magnet Coil                      |
| LT-1171-A  | Coil                             |
| LT-1197-AE | DC Magnet Coil                   |
| LT-1209-A  | Coil                             |
| LT-1250-A  | Coil                             |
| LT-1393-A  | Blowout Coil                     |
| LT-1467    | Coil Core                        |
| LT-1656-A  | Blowout Coil                     |
| LT-1656-AB | Blowout Coil & Bracket           |
| LT-1657-A  | Blowout Coil                     |
| LT-1657-AB | Blowout Coil & Bracket           |
| LT-1658-A  | Blowout Coil                     |
| LT-1659-AB | Blowout Coil                     |
| LT-2016-A  | Coil                             |
| LT-2017-A  | Coil                             |
| LT-2033    | Blowout coil                     |
| LT-2197-A  | Coil                             |
| LT-2197-AE | Coil                             |
| LT-2250-A  | Coil                             |
| LT-2252    | Blowout Coil                     |
| LT-2583-A  | Retarding Coil                   |
| LT-2584-A  | Retarding Coil                   |
| LT-2585-A  | Retarding Coil                   |
| LT-2586-A  | Retarding Coil                   |
| LT-2636-A  | Blowout Coil                     |
| LT-2656-A  | Blowout Coil                     |
| LT-2657-A  | Blowout Coil                     |

Please contact us if desired coil is not listed, for our database is continually increasing in number of coils available. We can also manufacture most obsolete coils, call for details.

P. 800-310-5999 F. 330-648-2774  
sales@ohiocontact.com www.ohiocontact.com

This document utilizes an interactive table of contents to help you jump from one section to another. Click the button to return to the table of contents.

**RETURN TO  
TABLE OF CONTENTS**

| OEM No.    | DESCRIPTION                     |
|------------|---------------------------------|
| LT-2658-A  | Blowout Coil                    |
| LT-2658-AB | Blowout Coil                    |
| LT-3017-A  | Coil                            |
| LT-3033-A  | Blowout Coil                    |
| LT-3171    | Blowout Coil                    |
| LT-3206    | Coil                            |
| LT-3250-A  | Coil                            |
| LT-3657-AB | Blowout Coil & Contact Bracket  |
| LT-3658-A  | Blowout Coil & Contact Bracket  |
| LT-3675-AB | Blowout Coil & Contact Bracket  |
| LT-3676-AB | Blowout Coil & Contact Bracket  |
| LT-4016-A  | Coil, 115V                      |
| LT-4017-A  | Coil                            |
| LT-4113-A  | Coil                            |
| LT-4623-AE | Coil                            |
| LT-4655-A  | Blowout Coil & Bracket, 800 Amp |
| LT-4656-A  | Blowout Coil & Bracket, 800 Amp |
| LT-4681-A  | Blowout Coil                    |
| LT-4682-A  | Blowout Coil & Contact Bracket  |
| LT-4684-A  | Blowout Coil & Bracket, 600 Amp |
| LT-4685-A  | Blowout Coil & Bracket          |
| LT-4686    | Blowout Coil                    |
| LT-4704-A  | Magnet Coil, 230V               |
| LT-4704-AE | Coil, 230 VDC, Encapsulated     |
| LT-4705-A  | Magnet Coil, 115V               |
| LT-4705-AE | Coil, 115 VDC, Encapsulated     |
| LT-4706-A  | Coil                            |
| LT-4706-AE | Coil                            |
| LT-4709-A  | Blowout Coil & Contact Bracket  |
| LT-4710-A  | Blowout Coil                    |
| LT-4711-A  | Blowout Coil                    |
| LT-4712-A  | Blowout Coil                    |
| LT-4804-A  | Coil                            |
| LT-4804-AE | Coil, 230V                      |
| LT-4805-A  | Coil                            |
| LT-4805-AE | Coil                            |
| LT-4806-AE | Encapsulated Coil               |
| LT-4837-A  | Coil                            |
| LT-4838-A  | Coil                            |
| LT-4854-A  | Coil                            |
| LT-4854-AE | Coil                            |
| LT-4866-A  | Coil & Bracket Assembly         |

Please contact us if desired coil is not listed, for our database is continually increasing in number of coils available. We can also manufacture most obsolete coils, call for details.

P. 800-310-5999 F. 330-648-2774  
sales@ohiocontact.com www.ohiocontact.com



This document utilizes an interactive table of contents to help you jump from one section to another. Click the button to return to the table of contents.

**RETURN TO  
TABLE OF CONTENTS**

| OEM No.     | DESCRIPTION                       |
|-------------|-----------------------------------|
| LTZ-1009-A  | Coil, 110V, Class 9998            |
| LTZ-1011-A  | Coil, 110V, Class 9998            |
| LTZ-1018-A  | Coil, 220V, Class 9998            |
| LTZ-1021-A  | Coil, 220V, Class 9998            |
| LTZ-1028-A  | Coil, 440V, Class 9998            |
| LTZ-1031-A  | Coil, 440V, Class 9998            |
| LTZ-1032-A  | Coil, 550V, Class 9998            |
| LTZ-1037-A  | Coil, 550V, Class 9998            |
| LTZ-1064    | Shading Coil, 60 Cycle            |
| LTZ-2009-A  | Coil, 110V, Class 9998            |
| LTZ-2011-A  | Coil, 110V, Class 9998            |
| LTZ-2017-A  | Coil, 220V, Class 9998            |
| LTZ-2020-A  | Coil, 220V, Class 9998            |
| LTZ-2026-A  | Coil, 440V, Class 9998            |
| LTZ-2029-A  | Coil, 440V, Class 9998            |
| LTZ-2030-A  | Coil, 550V, Class 9998            |
| LTZ-2033-A  | Coil, 550V, Class 9998            |
| LTZ-2064    | Shading Coil                      |
| LTZ-2785    | Spring for Operating Coil         |
| LTZ-3009-A  | Coil, 110V, Class 9998            |
| LTZ-3010-A  | Coil, 110V, Class 9998            |
| LTZ-3017-A  | Coil, 220V, Class 9998            |
| LTZ-3019-A  | Coil, 220V, Class 9998            |
| LTZ-3026-A  | Coil for 3 Pole, 440V, Size-5 - 6 |
| LTZ-3028-A  | Coil for 2 Pole, 440V Contactor   |
| LTZ-3031-A  | Coil, 550V, Class 9998            |
| LTZ-3033-A  | Coil, Class 9998                  |
| LTZ-3064    | Shading Coil                      |
| LTZ-3065    | Shading Coil                      |
| LTZ-4720-A  | Coil                              |
| LWZ-4004-A  | Coil                              |
| LZ-3032     | Coil Spring                       |
| LZA-6199-A  | Blowout Coil & Contact Bracket    |
| LZAO-4751-A | Kit without Blowout Coil          |
| S-124-A     | Blowout Coil                      |
| S1440808    | Coil                              |
| SI-31A      | Coil                              |
| SI-32A      | Coil                              |
| SI-33A      | Coil                              |
| SI-34A      | Coil                              |
| SI-35A      | Coil                              |
| SI-36A      | Coil                              |

Please contact us if desired coil is not listed, for our database is continually increasing in number of coils available. We can also manufacture most obsolete coils, call for details.

P. 800-310-5999 F. 330-648-2774  
sales@ohiocontact.com www.ohiocontact.com

This document utilizes an interactive table of contents to help you jump from one section to another. Click the button to return to the table of contents.

**RETURN TO  
TABLE OF CONTENTS**

| OEM No.    | DESCRIPTION          |
|------------|----------------------|
| SI-37A     | Coil                 |
| SI-38-A    | Coil                 |
| SI-38A     | Coil                 |
| SI-39A     | Coil                 |
| SI-40A     | Coil                 |
| SI-41A     | Coil                 |
| SI-42A     | Coil                 |
| SI-43A     | Coil                 |
| SI-44A     | Coil                 |
| SI-45A     | Coil                 |
| SI-63A     | Coil                 |
| SI-64A     | Coil                 |
| SI-65A     | Coil                 |
| SI-66A     | Coil                 |
| SI-67A     | Coil                 |
| SI-78A     | Coil                 |
| SIP-21-A   | Coil                 |
| SIP-22-A   | Coil                 |
| SIP-24-A   | Coil                 |
| SK-82-A    | Coil                 |
| SK-83-A    | Coil                 |
| SK-87-AE   | Coil                 |
| SK-88-A    | Coil                 |
| SK-89-A    | Coil                 |
| SS-0491-A  | Coil                 |
| SS-0735-A  | Coil                 |
| SS-0747-A  | Blowout Coil, 50 Amp |
| SS-0748    | Blowout Coil, 25 Amp |
| SS-0748-A  | Blowout Coil, 25 Amp |
| SS-0782-A  | Retarding Coil       |
| SS-0785-A  | Coil, 230 VDC        |
| SS-0785-A  | Coil                 |
| SS-0785-AE | Coil                 |
| SS-0867-A  | Coil                 |
| SS-0876-A  | Coil                 |
| SS-0891-A  | Coil                 |
| SS-0905-AE | DC Magnet Coil       |
| SS-109     | Coil Clamp           |
| SS-747-A   | Coil                 |
| SSX-5-A    | Coil, 115 VDC        |
| SSX-6-A    | Coil, 230 VDC        |
| W-10252-A  | Coil                 |

Please contact us if desired coil is not listed, for our database is continually increasing in number of coils available. We can also manufacture most obsolete coils, call for details.

P. 800-310-5999 F. 330-648-2774  
sales@ohiocontact.com www.ohiocontact.com

This document utilizes an interactive table of contents to help you jump from one section to another. Click the button to return to the table of contents.

**RETURN TO  
TABLE OF CONTENTS**

| OEM No.   | DESCRIPTION                                |
|-----------|--|
| W-10253-A | Coil, 20-27 HP                             |
| W-10254-A | Coil, 16-20 HP                             |
| W-10255-A | Coil, 13-16 HP                             |
| W-10256-A | Coil, 10-12 HP                             |
| W-10257-A | Coil, 7-10 HP                              |
| W-10261-A | Coil                                       |
| W-10264-A | Shunt Coil                                 |
| W-10268-A | Shunt Coil                                 |
| W-13054-A | Series Coil                                |
| W-13250-A | Coil                                       |
| W-13251-A | Series Coil, 40 HP - 1 Hr, 54 HP - 1/2 Hr. |
| W-13252-A | Series Coil, 35-45 HP, (T-1303)            |
| W-13253-A | Series Coil, 26-33 hp                      |
| W-13262-A | Coil, T-1351                               |
| W-13263-A | Coil                                       |
| W-13265-A | Shunt Coil                                 |
| W-13266-A | Coil Shunt                                 |
| W-13267-A | Coil                                       |
| W-13268-A | Shunt Coil                                 |
| W-13269   | Coil                                       |
| W-13270   | Coil                                       |
| W-13286-A | Coil, T-1364                               |
| W-16251-A | Coil, 57-75 HP                             |
| W-16252-A | Coil, 52-65 HP                             |
| W-16253-A | Coil, 43-55 HP                             |
| W-16254-A | Coil, 32-40 HP                             |
| W-16262-A | Coil                                       |
| W-16265-A | Shunt Coil, 230 VDC                        |
| W-16269-A | Shunt Coil                                 |
| W-16274-A | Coil, 80-100 HP                            |
| W-16286-A | Coil                                       |
| W-19053-A | Series Coil                                |
| W-19054-A | Coil                                       |
| W-19055   | Coil                                       |
| W-19250-A | Coil, 200-265 HP                           |
| W-19253-A | Coil                                       |
| W-19254-A | Series Coil, 80 HP - 108 HP                |
| W-19255-A | Coil, 70-95 HP                             |
| W-19257-A | Series Coil, 55-70 HP                      |
| W-19286   | Coil                                       |
| W-2125-A  | Coil                                       |
| W-23052-A | Coil                                       |

Please contact us if desired coil is not listed, for our database is continually increasing in number of coils available. We can also manufacture most obsolete coils, call for details.

P. 800-310-5999 F. 330-648-2774  
sales@ohiocontact.com www.ohiocontact.com

This document utilizes an interactive table of contents to help you jump from one section to another. Click the button to return to the table of contents.

**RETURN TO  
TABLE OF CONTENTS**

| OEM No.    | DESCRIPTION                       |
|------------|-----------------------------------|
| W-23058-A  | Coil                              |
| W-23061-A  | Coil                              |
| W-23251-A  | Coil, 265 HP                      |
| W-23252-A  | Series Coil, 160-205 hp, (T-2303) |
| W-23253-A  | Coil, 140-180 HP                  |
| W-23254-A  | Coil 110-140 HP                   |
| W-23258-A  | Coil                              |
| W-23261-A  | Coil                              |
| W-8053-A   | Series Coil, 11 HP to 15 HP       |
| W-8054-A   | Coil, 8.5-11 HP                   |
| W-8055-A   | Coil, 7-9 HP                      |
| W-8056-A   | Coil, 6-7 HP                      |
| W-8057-A   | Coil, 4-5 HP                      |
| W-8058-A   | Coil                              |
| W-8065-A   | Coil, 115V                        |
| W-8068-A   | Shunt Coil                        |
| W-8071-A   | Shunt Coil                        |
| W-8086     | Coil Spacer                       |
| WB-05      | Coil                              |
| WB-0568-A  | Coil                              |
| WB-1127-A  | Coil                              |
| WB-1129-A  | Coil                              |
| WB-1132-A  | Coil, 5-8 HP                      |
| WB-1133-A  | Coil                              |
| WB-1147-A  | Shunt Coil, 230 VDC 8 Hr. duty    |
| WB-19253-A | Coil                              |
| WB-2125-A  | Coil                              |
| WB-2127-A  | Coil                              |
| WB-2128-A  | Coil                              |
| WB-2129-A  | Brake Coil                        |
| WB-22      | Shunt Coil                        |
| WB-2280-A  | Series Coil                       |
| WB-2281-A  | Series Coil                       |
| WB-2283-A  | Coil                              |
| WB-3125-A  | Coil                              |
| WB-3126-A  | Series Coil                       |
| WB-3127-A  | Coil, 50-65 HP                    |
| WB-3128-A  | Coil, 40-55 HP                    |
| WB-3129-A  | Coil 30-45 HP                     |
| WB-3144-A  | Coil                              |
| WB-31XX    | Coil, 50 HP                       |
| WB-40      | Coil, 100 HP 4 Lead               |

Please contact us if desired coil is not listed, for our database is continually increasing in number of coils available. We can also manufacture most obsolete coils, call for details.

P. 800-310-5999 F. 330-648-2774  
sales@ohiocontact.com www.ohiocontact.com

This document utilizes an interactive table of contents to help you jump from one section to another. Click the button to return to the table of contents.

**RETURN TO  
TABLE OF CONTENTS**

| OEM No.    | DESCRIPTION                       |
|------------|-----------------------------------|
| WB-4128-A  | Series Coil                       |
| WB-4131-A  | Coil                              |
| WB-4132-A  | Coil, Series Wound 100-HP         |
| WB-4136-A  | Series Coil                       |
| WB-4146-A  | Coil                              |
| WB-5128-A  | Coil, 150-200 HP                  |
| WB-5129-A  | Series Coil                       |
| WB-5140-A  | Coil                              |
| WB-5141-A  | Shunt Coil                        |
| WB-5143-A  | Shunt Coil                        |
| WB-5147    | Coil                              |
| WB-6125-A  | Coil                              |
| WB-6128-A  | Coil                              |
| WT-38-A    | Coil                              |
| WT-42-A    | Coil                              |
| X-1105-A   | Blowout Coil & Contact Bracket    |
| X-178-A    | Coil                              |
| X-2105-A   | Blowout Coil & Contact Bracket    |
| X-2106-A   | Blowout Coil & Contact Bracket    |
| X-3105-A   | Blowout Coil & Contact Bracket DC |
| X-3106-A   | Blowout Coil & Contact Bracket DC |
| X-3208-A   | Blowout Coil & Contact Bracket    |
| X-3209-A   | Blowout Coil & Contact Bracket    |
| ZF-10-A    | Coil                              |
| ZHA-2037-A | Coil, 230V 60 Hz.                 |
| ZM-266-A   | Blowout Coil                      |
| ZM-271-A   | Coil                              |
| ZS-0220-A  | Coil                              |
| ZS-0221-A  | Coil                              |
| ZS-0222-A  | Coil                              |
| ZS-0223-A  | Coil                              |
| ZS-0224-A  | Coil                              |
| ZS-0225-A  | Coil                              |
| ZS-0226-A  | Coil                              |
| ZS-0227-A  | Coil                              |
| ZS-0228-A  | Coil                              |
| ZS-0229-A  | Coil                              |
| ZS-0230-A  | Coil                              |
| ZS-0231-A  | Coil                              |
| ZS-0232-A  | Coil                              |
| ZS-0233-A  | Coil                              |
| ZS-0234-A  | Coil                              |

Please contact us if desired coil is not listed, for our database is continually increasing in number of coils available. We can also manufacture most obsolete coils, call for details.

P. 800-310-5999 F. 330-648-2774  
sales@ohiocontact.com www.ohiocontact.com

**OEM No. DESCRIPTION**

|           |      |
|-----------|------|
| ZS-0235-A | Coil |
| ZS-0236-A | Coil |
| ZS-0237-A | Coil |
| ZS-0238-A | Coil |
| ZS-0239-A | Coil |
| ZS-0240-A | Coil |
| ZS-0241-A | Coil |
| ZS-0242-A | Coil |
| ZS-0243-A | Coil |
| ZS-0244-A | Coil |
| ZS-0245-A | Coil |
| ZS-0246-A | Coil |
| ZS-0247-A | Coil |
| ZS-0248-A | Coil |
| ZS-0249-A | Coil |
| ZS-0250-A | Coil |
| ZS-0251-A | Coil |
| ZS-0252-A | Coil |
| ZS-0253-A | Coil |
| ZS-0254-A | Coil |
| ZS-0255-A | Coil |
| ZS-0256-A | Coil |
| ZS-0257-A | Coil |
| ZSO-240-A | Coil |
| ZSX-20-A  | Coil |

This document utilizes an interactive table of contents to help you jump from one section to another. Click the button to return to the table of contents.

**RETURN TO  
TABLE OF CONTENTS**

**Please contact us if desired coil is not listed, for our database is continually increasing in number of coils available. We can aslo manufacture most obsolete coils, call for details.**

P. 800-310-5999 F. 330-648-2774  
sales@ohiocontact.com www.ohiocontact.com



## WESTINGHOUSE COILS

### OEM No. DESCRIPTION

|          |                |
|----------|----------------|
| 1008513  | Coil           |
| 1008517  | Coil           |
| 1008520  | Coil           |
| 1008524  | Coil           |
| 1014421D | Coil           |
| 1014605  | Coil           |
| 1018526  | Coil           |
| 1018655  | Coil           |
| 1019122  | Coil           |
| 1019148  | Coil           |
| 1033719  | Coil           |
| 1033735  | Coil           |
| 1033737  | Coil           |
| 1033757  | Coil           |
| 1033767  | Coil           |
| 1033768  | Coil           |
| 1033769  | Coil           |
| 1033770  | Coil           |
| 1037735  | Coil           |
| 1039650  | Coil           |
| 1083161  | Coil, 15-19 HP |
| 1089550  | Coil           |
| 1091382  | Coil           |
| 1108709  | Blowout Coil   |
| 1109465  | Coil           |
| 1109710  | Blowout Coil   |
| 1115654C | Coil           |
| 1115656B | Coil           |
| 1115678  | Coil           |
| 1115678C | Coil           |
| 1115679A | Coil           |
| 1115679C | Coil           |
| 1117659  | Coil           |
| 1128700  | Coil           |
| 1128900  | Coil           |
| 1133679  | Coil           |
| 1156678C | Coil           |
| 1156679A | Coil           |
| 1167112  | Coil           |
| 1167113  | Coil           |

**Please contact us if desired coil is not listed, for our database is continually increasing in number of coils available. We can also manufacture most obsolete coils, call for details.**

P. 800-310-5999 F. 330-648-2774  
sales@ohiocontact.com www.ohiocontact.com

This document utilizes an interactive table of contents to help you jump from one section to another. Click the button to return to the table of contents.

**RETURN TO  
TABLE OF CONTENTS**

This document utilizes an interactive table of contents to help you jump from one section to another. Click the button to return to the table of contents.

**RETURN TO  
TABLE OF CONTENTS**

| OEM No.  | DESCRIPTION            |
|----------|------------------------|
| 1167114  | Coil                   |
| 1167117  | Coil                   |
| 1167134  | Coil                   |
| 1167403  | Coil                   |
| 1167404  | Coil                   |
| 1167410  | Coil                   |
| 1167423  | Coil                   |
| 1183328  | Coil                   |
| 1186537  | Coil                   |
| 1190460  | Coil                   |
| 1190471  | Coil                   |
| 1224848  | Coil                   |
| 1224872  | Coil                   |
| 1227792D | Coil                   |
| 1249371  | Coil                   |
| 1251360  | Coil                   |
| 1253492  | Coil                   |
| 1253493A | Coil                   |
| 1264379  | Coil, 550 VDC          |
| 1264380C | Coil                   |
| 1289217  | Blowout Coil Assembly  |
| 1289321  | Coil                   |
| 12893383 | Coil                   |
| 1289370  | Coil, 115V (Marine)    |
| 1289371  | Coil, 230V (Marine)    |
| 1289372  | Coil, 57-1/2V (Marine) |
| 1289373  | Coil, 125V (Marine)    |
| 1289374C | Coil, 250V (Marine)    |
| 1289375  | Coil, 115 VDC          |
| 1289376C | Coil, 230V             |
| 1289377  | Coil, 550V             |
| 1289378  | Coil, 32V              |
| 1289379  | Coil, 90V              |
| 1289383  | Coil                   |
| 1289395  | Coil                   |
| 1289408  | Coil, 240/250 VDC      |
| 131060   | Coil                   |
| 1311807  | Coil                   |
| 1311834  | Coil                   |
| 1311846  | Coil, 375V (Marine)    |
| 1315355  | Coil                   |
| 1315385  | Coil, 35V              |

Please contact us if desired coil is not listed, for our database is continually increasing in number of coils available. We can also manufacture most obsolete coils, call for details.

P. 800-310-5999 F. 330-648-2774  
sales@ohiocontact.com www.ohiocontact.com

| OEM No.  | DESCRIPTION          |
|----------|----------------------|
| 1315388  | Coil, 250V           |
| 1320622  | Coil, 65V            |
| 1320623C | Coil                 |
| 1320631B | Coil                 |
| 1320631C | Coil                 |
| 1344017  | Coil, 58V            |
| 1344024  | Coil, 440V (Marine)  |
| 1358043  | Coil, 36V            |
| 1358081  | Coil, 600V           |
| 1358433  | Coil                 |
| 1399278  | Coil, 250 VDC        |
| 1399361  | Coil                 |
| 1406489  | Coil                 |
| 1406910  | Coil                 |
| 1419532  | Coil                 |
| 1419539  | Coil, 115V           |
| 1419540  | Coil, 230V           |
| 1419541  | Coil, 550V           |
| 1419544  | Operating Coil, 115V |
| 1419545  | Operating Coil, 230V |
| 1419546  | Operating Coil, 550V |
| 1419547  | Coil, 15V            |
| 1419548  | Coil, 230 VDC        |
| 1419549  | Coil, 550V           |
| 1419552  | Operating Coil 115V  |
| 1419553  | Operating Coil 230V  |
| 1419554  | Operating Coil 550V  |
| 1419561  | Operating Coil, 115V |
| 1419562  | Operating Coil, 230V |
| 1419563  | Operating Coil, 550V |
| 1419564  | Coil, 115 VDC        |
| 1419565  | Coil                 |
| 1419566  | Coil                 |
| 1419567  | Coil                 |
| 1419J32C | Coil                 |
| 1438443  | Coil                 |
| 1440809  | Coil                 |
| 1441003  | Coil                 |
| 1447664  | Coil                 |
| 1470201  | Coil                 |
| 1470201B | Coil                 |
| 1470202  | Coil                 |

This document utilizes an interactive table of contents to help you jump from one section to another. Click the button to return to the table of contents.

**RETURN TO  
TABLE OF CONTENTS**

**Please contact us if desired coil is not listed, for our database is continually increasing in number of coils available. We can also manufacture most obsolete coils, call for details.**

P. 800-310-5999 F. 330-648-2774  
sales@ohiocontact.com www.ohiocontact.com

| OEM No.   | DESCRIPTION                       |
|-----------|-----------------------------------|
| 1470203B  | Coil                              |
| 1470241   | Coil                              |
| 1470243B  | Coil                              |
| 1470246   | Coil                              |
| 1486767   | Blowout Coil                      |
| 1486774   | Blowout Coil                      |
| 1486780   | Blowout Coil                      |
| 1486784   | Stationary Contact w/Blowout Coil |
| 1486785   | Stationary Contact w/Blowout Coil |
| 1486886   | Blowout Coil                      |
| 1486889   | Blowout Coil                      |
| 1490640   | Coil, 115V                        |
| 1490641   | Coil, 230V                        |
| 1490645   | Coil                              |
| 1490646   | Coil, 110V 60 Cyc., Size-2        |
| 1585821   | Coil                              |
| 1600763   | Coil, 125 VDC                     |
| 1600777   | Coil, 250 VDC                     |
| 1600857   | Coil                              |
| 1605971   | Coil, 230 VDC                     |
| 1613353   | Coil                              |
| 1622907   | Lower Coil, 230 VDC               |
| 1622924   | Coil, 550V                        |
| 1625677   | Coil                              |
| 1626209   | Coil                              |
| 1626810   | Coil, 250V                        |
| 1626833   | Coil, 250 VDC                     |
| 1628808   | Blowout Coil                      |
| 1655312   | Coil, Shunt                       |
| 1655319   | Coil                              |
| 1660727   | Shading Coil                      |
| 1660730   | Coil Support                      |
| 1720611   | Coil, 102V 60 CYC                 |
| 1745823   | Coil                              |
| 1745824   | Coil                              |
| 1745825-B | Coil                              |
| 1745826   | Coil                              |
| 1745827   | AV Relay Coil, 8.7 Amp            |
| 1745829   | Coil                              |
| 1745844   | Coil                              |
| 1745845   | Coil                              |
| 1745846   | Coil                              |

This document utilizes an interactive table of contents to help you jump from one section to another. Click the button to return to the table of contents.

**RETURN TO  
TABLE OF CONTENTS**

Please contact us if desired coil is not listed, for our database is continually increasing in number of coils available. We can also manufacture most obsolete coils, call for details.

P. 800-310-5999 F. 330-648-2774  
sales@ohiocontact.com www.ohiocontact.com

| OEM No.    | DESCRIPTION                   |
|------------|-------------------------------|
| 1745847    | Coil                          |
| 1745850C   | Coil                          |
| 1754302    | Coil                          |
| 1754303B   | Coil                          |
| 1754322    | Coil, 250 VDC, M-510          |
| 1754336    | Coil                          |
| 1754338    | Coil, 250 VDC                 |
| 1754345    | Coil                          |
| 1754356    | Coil                          |
| 1754375    | Operating Coil, 250V          |
| 1754376    | Operating Coil, 250V          |
| 177613A    | Coil                          |
| 1777663    | Coil                          |
| 1777664    | Coil                          |
| 1777688    | Coil                          |
| 1777689    | Coil                          |
| 1777693    | Coil                          |
| 1777694    | Coil                          |
| 1777695    | Coil                          |
| 1777696    | Coil                          |
| 1777699    | Coil                          |
| 1777700    | Coil                          |
| 1780418G   | Coil                          |
| 1780419    | Coil                          |
| 1815197    | Coil                          |
| 1815198    | Coil                          |
| 1817024    | Coil                          |
| 1817025    | Coil                          |
| 193778     | Coil                          |
| 2050A12G05 | Coil, Size-6                  |
| 2050A12G10 | Coil, Size-6                  |
| 2050A12G15 | Coil, Size-6                  |
| 2050A14G05 | Coil, 110/120V, 60 Hz, Size-5 |
| 2050A14G10 | Coil, Size-5                  |
| 2050A14G15 | Coil, Size-5                  |
| 2184A10G15 | Blowout Coil, 10 Amp          |
| 2184A10G16 | BlowoutCoil, 25 Amp           |
| 2184A10G17 | Blowout Coil, 50 Amp          |
| 2184A10G18 | Blowout Coil, 110/150 Amp     |
| 21C2698G13 | Coil                          |
| 21C2698G28 | Coil                          |
| 22C4191G13 | Coil                          |

This document utilizes an interactive table of contents to help you jump from one section to another. Click the button to return to the table of contents.

**RETURN TO  
TABLE OF CONTENTS**

Please contact us if desired coil is not listed, for our database is continually increasing in number of coils available. We can aslo manufacture most obsolete coils, call for details.

P. 800-310-5999 F. 330-648-2774  
sales@ohiocontact.com www.ohiocontact.com

| OEM No.    | DESCRIPTION                           |
|------------|---------------------------------------|
| 25A1659G05 | Blowout Coil Assembly, Back Connected |
| 2735875    | Coil                                  |
| 2738538    | Coil                                  |
| 2738567    | Coil                                  |
| 2738573    | Coil                                  |
| 2738679    | Coil                                  |
| 281536     | Lower Coil, 230 VDC                   |
| 285638C    | Coil                                  |
| 285640     | Coil                                  |
| 287995     | Blowout Coil w/ Stud                  |
| 289328     | Coil                                  |
| 2963286    | Coil                                  |
| 2963295    | Coil                                  |
| 300P856G01 | Shunt Trip Coil, 250 VDC              |
| 303701     | Coil                                  |
| 303702     | Coil                                  |
| 30B4375G04 | Coil, 115 VDC                         |
| 30B4375G05 | Coil, 230 VDC                         |
| 30B4375G06 | Coil, 550 VDC                         |
| 30B4375G11 | Coil, 250 VDC                         |
| 30B4375G12 | Coil, 250 VDC                         |
| 30B4375G24 | Operating Coil, 125V                  |
| 30B4375G25 | Operating Coil, 125V                  |
| 30B4376G02 | Lower Coil, 230 VDC                   |
| 30B4376G06 | Coil, 65 VDC                          |
| 30B4376G07 | Coil, 115 VDC                         |
| 30B4376G08 | Coil, 125V                            |
| 30B4376G09 | Coil, 230/240 VDC                     |
| 30B4376G10 | Coil, 250 VDC                         |
| 30B4376G21 | Coil, 440 VDC                         |
| 30B4376G25 | Coil, 90/92 VDC                       |
| 30B4377G02 | Coil, 230 VDC                         |
| 30B4377G04 | Coil, 115 VDC                         |
| 30B4377G05 | Coil, 230 VDC                         |
| 30B4377G07 | Coil, 250 VDC                         |
| 30B4377G08 | Coil                                  |
| 30B4377G10 | Coil, 125 VDC                         |
| 30B4377G13 | Coil                                  |
| 30B4377G17 | Coil, 90 VDC                          |
| 30B4377G23 | Coil                                  |
| 30B4377G24 | Coil                                  |
| 30B4377G25 | Coil                                  |

Please contact us if desired coil is not listed, for our database is continually increasing in number of coils available. We can aslo manufacture most obsolete coils, call for details.

P. 800-310-5999 F. 330-648-2774  
sales@ohiocontact.com www.ohiocontact.com

This document utilizes an interactive table of contents to help you jump from one section to another. Click the button to return to the table of contents.

**RETURN TO  
TABLE OF CONTENTS**



This document utilizes an interactive table of contents to help you jump from one section to another. Click the button to return to the table of contents.

**RETURN TO  
TABLE OF CONTENTS**

| OEM No.    | DESCRIPTION                         |
|------------|-------------------------------------|
| 311807     | Coil                                |
| 312028     | Coil                                |
| 3198606    | Coil                                |
| 322105A    | Coil                                |
| 322405     | Coil                                |
| 3280B04G01 | Coil                                |
| 3280B04G02 | Coil                                |
| 3280B04G03 | Coil                                |
| 3280B04G04 | Coil                                |
| 3280B04G05 | Coil, 115/60V                       |
| 3280B04G06 | Coil                                |
| 3280B04G07 | Coil                                |
| 3280B04G08 | Coil                                |
| 3280B04G09 | Coil                                |
| 3280B04G10 | Coil                                |
| 3280B04G11 | Coil                                |
| 3280B04G12 | Coil                                |
| 3280B04G13 | Coil                                |
| 3280B04G14 | Coil                                |
| 3280B04G15 | Coil                                |
| 3280B04G16 | Coil                                |
| 3280B04G17 | Coil                                |
| 3280B04G18 | Coil                                |
| 3280B04G19 | Coil                                |
| 3280B04G20 | Coil                                |
| 333P974G01 | Coil, 250 VDC                       |
| 333P975G01 | Coil, 250V                          |
| 334P064G01 | Coil, 115 VDC                       |
| 3365D47G11 | Coil, 115 VDC                       |
| 3365D47G12 | Coil                                |
| 3365D47G20 | Coil, 230/240 VDC                   |
| 3365D47G30 | Coil, 250 VDC                       |
| 340714     | Coil                                |
| 340717     | Coil                                |
| 3450D52G01 | Coil, 310 VDC                       |
| 3450D52G02 | AV Relay Coil, Small Frame, 230 VDC |
| 3450D52G27 | Coil                                |
| 371522     | Coil                                |
| 371783     | Coil                                |
| 374893B    | Coil                                |
| 375629D    | Coil                                |
| 378269     | Coil                                |

Please contact us if desired coil is not listed, for our database is continually increasing in number of coils available. We can aslo manufacture most obsolete coils, call for details.

P. 800-310-5999 F. 330-648-2774  
sales@ohiocontact.com www.ohiocontact.com

This document utilizes an interactive table of contents to help you jump from one section to another. Click the button to return to the table of contents.

**RETURN TO  
TABLE OF CONTENTS**

| OEM No.    | DESCRIPTION                         |
|------------|-------------------------------------|
| 381038     | Coil                                |
| 3828900    | Coil                                |
| 404247     | Coil                                |
| 430271     | Coil                                |
| 435A967G01 | Coil, 125V                          |
| 436371     | Coil                                |
| 441A29G01  | Coil                                |
| 441A531G01 | Coil                                |
| 445276     | Coil                                |
| 44A6366G15 | Coil                                |
| 455275     | Coil                                |
| 45A1088G19 | Coil                                |
| 45A1151G03 | Coil                                |
| 45A5073G10 | Coil                                |
| 45A5402G23 | Coil, 230/250 VDC                   |
| 45A5514G04 | Coil                                |
| 45A5514G14 | Coil, 250 VDC                       |
| 45A5515G01 | Coil, 115 VDC                       |
| 45A5515G03 | Coil                                |
| 45A5515G04 | Coil, 230 VDC                       |
| 45A5515G05 | Coil, 550 VDC                       |
| 45A5515G07 | Coil, 125 VDC                       |
| 45A5515G11 | Coil, 65 VDC                        |
| 45A5515G12 | Coil, 250 VDC                       |
| 45A5515G18 | Coil, 48 VDC                        |
| 45A5515G23 | Coil, 90 VDC                        |
| 45A5523G04 | Coil, 230/240 VDC                   |
| 45A5523G04 | Coil                                |
| 460487     | Coil                                |
| 460712A    | Coil                                |
| 470630A    | Coil                                |
| 4739206    | Coil                                |
| 476367A    | Coil                                |
| 476370A    | Coil                                |
| 476906A    | Coil                                |
| 479A479G03 | Coil                                |
| 486371     | Coil, 95-125 Amp                    |
| 487552     | Shunt Coil, 59-64V                  |
| 487555     | Coil                                |
| 487583     | Coil                                |
| 501543     | Shunt Coil, 40 VDC, Continuous Duty |
| 501547     | Coil, 340-440 Amp                   |

Please contact us if desired coil is not listed, for our database is continually increasing in number of coils available. We can aslo manufacture most obsolete coils, call for details.

P. 800-310-5999 F. 330-648-2774  
sales@ohiocontact.com www.ohiocontact.com

| OEM No.    | DESCRIPTION             |
|------------|-------------------------|
| 501573     | Coil                    |
| 501574     | Coil                    |
| 505C806G01 | Coil, Size-1 - 2        |
| 505C806G03 | Coil, Size-1 - 2        |
| 505C806G13 | Coil, Size-1 - 2        |
| 505C633G01 | Coil, Size-3 - 4        |
| 505C633G03 | Coil, Size-3 - 4        |
| 505C633G13 | Coil, Size-3 - 4        |
| 51315388D  | Coil                    |
| 550D746G30 | Coil, 250 VDC           |
| 553206     | Coil                    |
| 560D746G30 | Coil                    |
| 560D747G18 | Coil                    |
| 561D096G06 | Relay Coil, 1.14 Amp AV |
| 561D096G27 | Coil                    |
| 567008     | Coil, 180-235 Amp       |
| 597905     | Coil                    |
| 60335      | Coil                    |
| 606956     | Coil                    |
| 6275007    | Coil                    |
| 630226     | Coil                    |
| 635C247G17 | Shunt Coil              |
| 635C328G16 | Shunt Coil              |
| 637C373G16 | Coil                    |
| 637C384G16 | Shunt Coil              |
| 637C502G16 | Coil                    |
| 637C502G17 | Coil                    |
| 637C504G16 | Coil                    |
| 637C504G21 | Coil                    |
| 637C523G16 | Coil                    |
| 637C530G16 | Series Coil             |
| 637C551G16 | Brake Coil              |
| 637C551G18 | Coil                    |
| 637C551G21 | Series Coil             |
| 637C729G16 | Coil                    |
| 645C173G16 | Shunt Coil              |
| 645C518G16 | Series Coil             |
| 645C545G16 | Shunt Brake Coil        |
| 654163     | Coil                    |
| 654213     | Coil                    |
| 654215     | Coil                    |
| 654227     | Coil                    |

**Please contact us if desired coil is not listed, for our database is continually increasing in number of coils available. We can also manufacture most obsolete coils, call for details.**

P. 800-310-5999 F. 330-648-2774  
sales@ohiocontact.com www.ohiocontact.com

This document utilizes an interactive table of contents to help you jump from one section to another. Click the button to return to the table of contents.

**RETURN TO  
TABLE OF CONTENTS**

| OEM No.    | DESCRIPTION                   |
|------------|-------------------------------|
| 654239     | Coil                          |
| 654613     | Coil                          |
| 657C900G03 | Coil, 230 VDC                 |
| 658C256G03 | Coil                          |
| 669037     | Coil                          |
| 669336     | Coil                          |
| 676276E    | Coil                          |
| 677C903G02 | Coil                          |
| 696667     | Coil, 250 VDC                 |
| 696668     | Coil, 115 VDC                 |
| 696678D    | Coil                          |
| 696714A    | Coil, 180-240 Amp             |
| 702501     | Coil                          |
| 703184     | Coil                          |
| 712418     | Coil                          |
| 712475     | Shunt Coil                    |
| 712496     | Coil                          |
| 712498     | Coil                          |
| 712501     | Coil                          |
| 743C019G01 | Coil                          |
| 744283     | Coil, 220 Amp, 1/2 Crane Duty |
| 760306     | HI. Coil                      |
| 760310     | Shunt Coil                    |
| 760335A    | Coil                          |
| 765393     | Coil, 135 Amp                 |
| 776137A    | Coil                          |
| 776142     | Coil                          |
| 776147     | Coil                          |
| 776153     | Coil, .2 - .9 Amp             |
| 776162     | Coil                          |
| 776762     | Coil                          |
| 78006      | Coil                          |
| 780246     | Coil                          |
| 780306     | Coil                          |
| 780581     | Coil                          |
| 780590     | Coil                          |
| 782713     | Coil                          |
| 782714     | Coil                          |
| 782716     | Coil                          |
| 782717     | TI-2 Coil                     |
| 783117     | Coil                          |
| 783142     | Coil                          |

This document utilizes an interactive table of contents to help you jump from one section to another. Click the button to return to the table of contents.

**RETURN TO  
TABLE OF CONTENTS**

Please contact us if desired coil is not listed, for our database is continually increasing in number of coils available. We can also manufacture most obsolete coils, call for details.

P. 800-310-5999 F. 330-648-2774  
sales@ohiocontact.com www.ohiocontact.com

| OEM No.    | DESCRIPTION   |
|------------|---------------|
| 783143     | TI-Z Coil     |
| 783147     | Coil          |
| 783164     | Coil          |
| 783164A    | Coil          |
| 783167     | Coil          |
| 783176     | Coil          |
| 783176-A   | Coil          |
| 783213     | Coil          |
| 787713     | Coil          |
| 793697     | Coil          |
| 793712A    | Coil          |
| 793760     | Coil          |
| 793778     | Coil          |
| 805264     | Coil          |
| 805265     | Coil          |
| 805268     | Coil          |
| 822125A    | Coil          |
| 822190     | Coil          |
| 822825     | Coil          |
| 830220     | Coil          |
| 830226     | Coil          |
| 830226D    | Coil          |
| 832959     | Coil          |
| 838535     | Coil          |
| 844246C    | Coil          |
| 847465A    | Coil          |
| 847794     | Coil          |
| 847794-02  | Coil          |
| 847798B    | Coil          |
| 8479065    | Coil          |
| 847963     | Coil          |
| 847965A    | Coil          |
| 855953     | Coil          |
| 857D503G01 | Blowout Coil  |
| 861738     | Coil          |
| 874120     | Coil          |
| 874126     | Coil, 440 VAC |
| 874128     | Coil          |
| 875151     | Coil          |
| 875154     | Coil          |
| 875154A    | Coil          |
| 877925     | Coil          |

This document utilizes an interactive table of contents to help you jump from one section to another. Click the button to return to the table of contents.

**RETURN TO  
TABLE OF CONTENTS**

Please contact us if desired coil is not listed, for our database is continually increasing in number of coils available. We can also manufacture most obsolete coils, call for details.

P. 800-310-5999 F. 330-648-2774  
sales@ohiocontact.com www.ohiocontact.com

| OEM No.    | DESCRIPTION                        |
|------------|------------------------------------|
| 878D422G01 | Blowout Coil                       |
| 878D422G02 | Blowout Coil, 10 Amp               |
| 883535     | Coil                               |
| 883545     | Coil                               |
| 883546     | Coil                               |
| 883550     | Coil                               |
| 883558     | Coil                               |
| 883576     | Coil                               |
| 883756     | Coil                               |
| 884558     | Shading Coil                       |
| 8860474    | Coil                               |
| 895657     | Operating Coil, DI 239             |
| 895671A    | Coil                               |
| 895675     | Coil                               |
| 895677     | Coil                               |
| 895881     | Coil                               |
| 895883     | Coil                               |
| 895891     | Coil                               |
| 895906     | Coil, 115 Amp 1hr., 150 Amp 1/2hr. |
| 897899     | Coil                               |
| 897905     | Coil                               |
| 897916     | Coil                               |
| 897918     | Coil                               |
| 897925     | Coil, 300-385 HP                   |
| 897929     | Coil                               |
| 897931     | Coil                               |
| 897935     | Coil                               |
| 919996     | Coil                               |
| 920006     | Coil                               |
| 920009     | Coil                               |
| 920033     | Coil                               |
| 936978     | Coil                               |
| 943109     | Series Coil                        |
| 943120     | Coil, 95 HP                        |
| 943147     | Coil                               |
| 943153     | Coil                               |
| 944723     | Coil, 340-260 Amp                  |
| 966753A    | Coil                               |
| 966759     | Coil                               |
| 968310     | Coil                               |
| 968337     | Coil                               |
| 974133     | Coil                               |

This document utilizes an interactive table of contents to help you jump from one section to another. Click the button to return to the table of contents.

**RETURN TO  
TABLE OF CONTENTS**

Please contact us if desired coil is not listed, for our database is continually increasing in number of coils available. We can also manufacture most obsolete coils, call for details.

P. 800-310-5999 F. 330-648-2774  
sales@ohiocontact.com www.ohiocontact.com



| OEM No.     | DESCRIPTION                                   |
|-------------|---|
| 974136      | Coil  |
| 979136      | Coil  |
| 986371      | Coil  |
| 9969D90G01  | Coil  |
| 9969D90G05  | Coil  |
| 9969D90G13  | Coil, 3P 230 VDC                              |
| 9969D92G03  | Coil  |
| E013057     | Series Coil                                   |
| FP-20       | Coil  |
| L3134869    | Coil  |
| L482211G01  | Coil, 230 VDC                                 |
| L548823G01  | Coil  |
| L548824G01  | Coil  |
| L548825G01  | Coil  |
| L548826G01  | Coil  |
| L548827G01  | AV Relay Coil, 8.7 Amp                        |
| L548829G01  | Coil  |
| L548844G01  | Coil  |
| L548845G01  | Coil, 3.30 Amp                                |
| L548846G01  | Coil  |
| L548847G01  | Coil  |
| L549720G01  | Coil, (2 250 VDC coils connected in parallel) |
| S-1227764   | Coil  |
| S-1315388-D | Coil, 230 VDC Con., 550 VDC Int.              |
| WCOIL12F    | Coil, Size-1 - 2                              |
| WCOIL34F    | Coil, Size-3 - 4                              |
| WCOIL56F    | Coil, Size-5 - 6                              |

This document utilizes an interactive table of contents to help you jump from one section to another. Click the button to return to the table of contents.

**RETURN TO  
TABLE OF CONTENTS**

Please contact us if desired coil is not listed, for our database is continually increasing in number of coils available. We can also manufacture most obsolete coils, call for details.

P. 800-310-5999 F. 330-648-2774  
sales@ohiocontact.com www.ohiocontact.com

**REPLACEMENT PARTS CATALOG  
TABLE OF CONTENTS**

**106 TYPE B DC MAGNETIC BRAKES**

CLARK 8" DC MAGNETIC BRAKE.....2-3  
 CLARK 10" DC MAGNETIC BRAKE.....4-5  
 CLARK 13" DC MAGNETIC BRAKE.....6-7  
 CLARK 16" DC MAGNETIC BRAKE.....8-9  
 CLARK 19" DC MAGNETIC BRAKE.....10-11  
 CLARK 23" DC MAGNETIC BRAKE.....12-13

**CONTACTORS**

D.C. MAGNETIC CONTACTOR FORM 100-4RD .....14-15  
 D.C. MAGNETIC CONTACTOR FORM 150-4RD .....16-17  
 D.C. MAGNETIC CONTACTOR FORM 300-4RD .....18-19  
 D.C. MAGNETIC CONTACTOR FORM 400-4RD .....20-21  
 D.C. MAGNETIC CONTACTOR FORM 600-4RD .....22-23  
 D.C. MAGNETIC CONTACTOR FORM 900-4RD .....24-25  
 D.C. MAGNETIC CONTACTOR FORM 100-4RT.....26-27  
 D.C. MAGNETIC CONTACTOR FORM 150-4RT.....28-29  
 D.C. MAGNETIC CONTACTOR FORM 300-4RT.....30-31  
 D.C. MAGNETIC CONTACTOR FORM 400-4RT.....32-33  
 D.C. MAGNETIC CONTACTOR FORM 100-5RS.....34-35  
 D.C. MAGNETIC CONTACTOR FORM 150-5RS.....36-37  
 D.C. MAGNETIC CONTACTOR FORM 300-5RS.....38-39  
 D.C. MAGNETIC CONTACTOR FORM 400-5RS.....40-41  
 D.C. MAGNETIC CONTACTOR FORM 600-5RS.....42-43  
 D.C. MAGNETIC CONTACTOR FORM 100-3L3A.....44  
 D.C. MAGNETIC CONTACTOR FORM 150-3R3A.....45  
 D.C. MAGNETIC CONTACTOR FORM 400-3R3A.....46  
 D.C. MAGNETIC CONTACTOR TYPE KD 100 AMP .....47-48  
 D.C. MAGNETIC CONTACTOR TYPE KD 150 AMP .....49-50  
 D.C. MAGNETIC CONTACTOR TYPE KD 300 AMP .....51-52

**RELAYS & MASTER SWITCHES**

MASTER SWITCH - TYPE RD, RDS ..... 53  
 HATCHWAY LIMIT SWITCH, TYPE HL..... 54  
 TYPE AP ANTI-PLUG RELAY ..... 55  
 TYPE CH RELAY ..... 56  
 TYPE FL FIELD LOSS RELAY ..... 57  
 TYPE P PLUGGING RELAY ..... 58  
 TYPE VT VARI-TIME RELAY ..... 59  
 TYPE VR VOLTAGE RELAY ..... 60  
 TYPE VTH VARI-TIME RELAY ..... 61  
 TYPE XVR RELAY..... 62

INDEX..... 63-76

If you are unable to locate the item you need, please call or e-mail us so that we can assist in finding required item.  
 Clark is a registered trademark of Sylvania Electrical Control

PHONE (800) 310-5999 FAX (330) 648-2774

This document utilizes an interactive table of contents to help you jump from one section to another. Click the button to return to the table of contents.

**RETURN TO  
TABLE OF CONTENTS**

*106 TYPE B DC MAGNETIC BRAKES*

- CLARK 8" DC MAGNETIC BRAKE
- CLARK 10" DC MAGNETIC BRAKE
- CLARK 13" DC MAGNETIC BRAKE
- CLARK 16" DC MAGNETIC BRAKE
- CLARK 19" DC MAGNETIC BRAKE
- CLARK 23" DC MAGNETIC BRAKE

*CONTACTORS*

*RELAYS & MASTER SWITCHES*

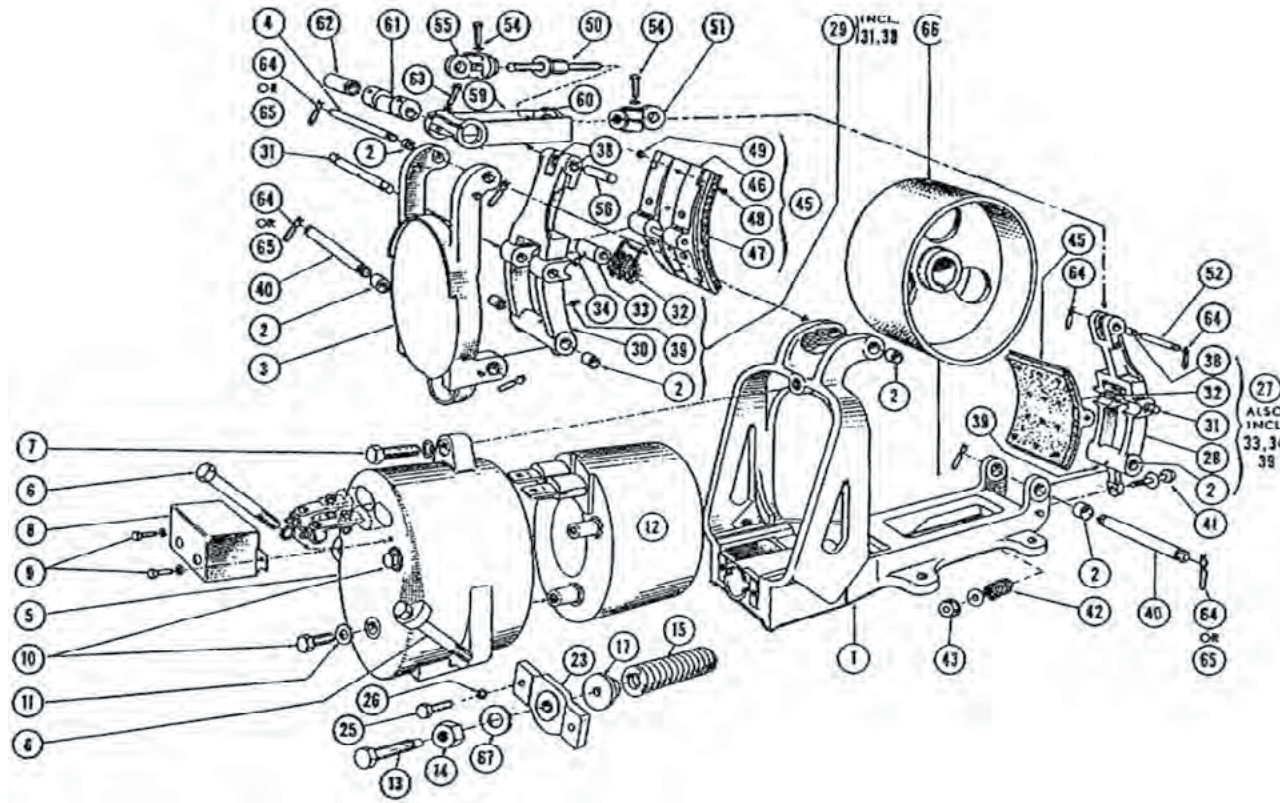
*INDEX*

# O.C.C.

## Replacement Parts For

# CLARK

### CLARK 8" DC MAGNETIC BRAKE



This document utilizes an interactive table of contents to help you jump from one section to another. Click the button to return to the table of contents.

**RETURN TO  
TABLE OF CONTENTS**

#### 106 TYPE B DC MAGNETIC BRAKES

- CLARK 8" DC MAGNETIC BRAKE
- CLARK 10" DC MAGNETIC BRAKE
- CLARK 13" DC MAGNETIC BRAKE
- CLARK 16" DC MAGNETIC BRAKE
- CLARK 19" DC MAGNETIC BRAKE
- CLARK 23" DC MAGNETIC BRAKE

#### CONTACTORS

#### RELAYS & MASTER SWITCHES

#### INDEX

# O.C.C.

## Replacement Parts For

# CLARK

### CLARK 8" DC MAGNETIC BRAKE

This document utilizes an interactive table of contents to help you jump from one section to another. Click the button to return to the table of contents.

**RETURN TO  
TABLE OF CONTENTS**

#### 106 TYPE B DC MAGNETIC BRAKES

- CLARK 8" DC MAGNETIC BRAKE
- CLARK 10" DC MAGNETIC BRAKE
- CLARK 13" DC MAGNETIC BRAKE
- CLARK 16" DC MAGNETIC BRAKE
- CLARK 19" DC MAGNETIC BRAKE
- CLARK 23" DC MAGNETIC BRAKE

#### CONTACTORS

#### RELAYS & MASTER SWITCHES

#### INDEX

| ITM     | OEM                  | DESCRIPTION                   |
|---------|----------------------|-------------------------------|
| 01..... | B106-230103A.....    | Frame                         |
| 02..... | A106-230140.....     | Bushing                       |
| 03..... | A106-230105A.....    | Armature                      |
| 04..... | T-103-49.....        | Bearing Pin                   |
| 05..... | B106-230162A.....    | Magnet Case                   |
| 06..... | T-121-151.....       | Magnet Case Bolts             |
| 07..... | T-121-136.....       | Bolt                          |
| 08..... | B106-230155.....     | Terminal Shield               |
| 09..... | T-121-45.....        | Terminal Shield Bolts         |
| 10..... | T-121-76.....        | Magnet Coil Bolts             |
| 11..... | T-2-392.....         | Washer                        |
| 12..... | B106-230108-A1.....  | 8" Shunt Coil                 |
| 12..... | A106-230101.....     | 8" Brake Assembly             |
| 12..... | B106-230108-A13..... | Coil                          |
| 12..... | B106-230108-A14..... | Coil                          |
| 12..... | B106-230108-A16..... | Coil                          |
| 13..... | A106-230139-1.....   | Torque Adjusting Screw        |
| 14..... | T-115-58.....        | Nut                           |
| 15..... | A106-230135.....     | Torque Spring                 |
| 17..... | A106-230138.....     | Spring Seat                   |
| 18..... | T-152-31.....        | Torque Indicator Pin          |
| 23..... | A106-230136A.....    | Pressure Plate                |
| 25..... | T-121-83.....        | Bolt                          |
| 26..... | T-155-15.....        | Washer                        |
| 28..... | A106-230111A.....    | Assembled Outer Arm           |
| 30..... | A106-230113A.....    | Assembled Inner Arm           |
| 35..... | A106-230141A.....    | Shoe Retainer Plate Assembly  |
| 36..... | T-145-1.....         | Lock Screw                    |
| 37..... | T-155-14.....        | Washer                        |
| 38..... | A106-230140.....     | Bushing                       |
| 39..... | T-233-1.....         | Alemite Fittings              |
| 40..... | T-103-48.....        | Bearing Pin, Lower Arm        |
| 41..... | T-121-62.....        | Bolt, Outer Arm Release       |
| 42..... | A106-230158.....     | Release Spring, Outer Arm     |
| 43..... | T-281-3.....         | Lock Nut                      |
| 45..... | A106-230128A.....    | Assembled Brake Shoe & Lining |
| 46..... | A106-230129A.....    | Brake Shoe, less lining       |
| 47..... | A106-230131.....     | Shoe Lining                   |
| 48..... | T-122-24.....        | Shoe Lining Screw             |
| 49..... | T-281-1.....         | Lock Nut                      |
| 50..... | A106-230116A.....    | Adjusting Bar                 |
| 51..... | A106-230122A.....    | Outer Bar Eye                 |
| 52..... | T-103-47.....        | Bearing Pin, Outer Bar Eye    |
| 54..... | T-121-241.....       | Bar Eye Clamp Bolt            |
| 55..... | A106-230124A.....    | Inner Bar Eye                 |
| 56..... | A106-230147.....     | Bearing Pin, Inner Bar Eye    |
| 59..... | B106-230169.....     | Equalizer Yoke                |
| 60..... | T-152-21.....        | Gauge Pin                     |
| 61..... | A106-230132A.....    | Bushing                       |
| 63..... | T-121-50.....        | Lock Bolt, Equalizer Yoke     |
| 64..... | A106-230148.....     | Retainers, Bearing Pin        |
| 67..... | T-282-1.....         | Spring Washer                 |

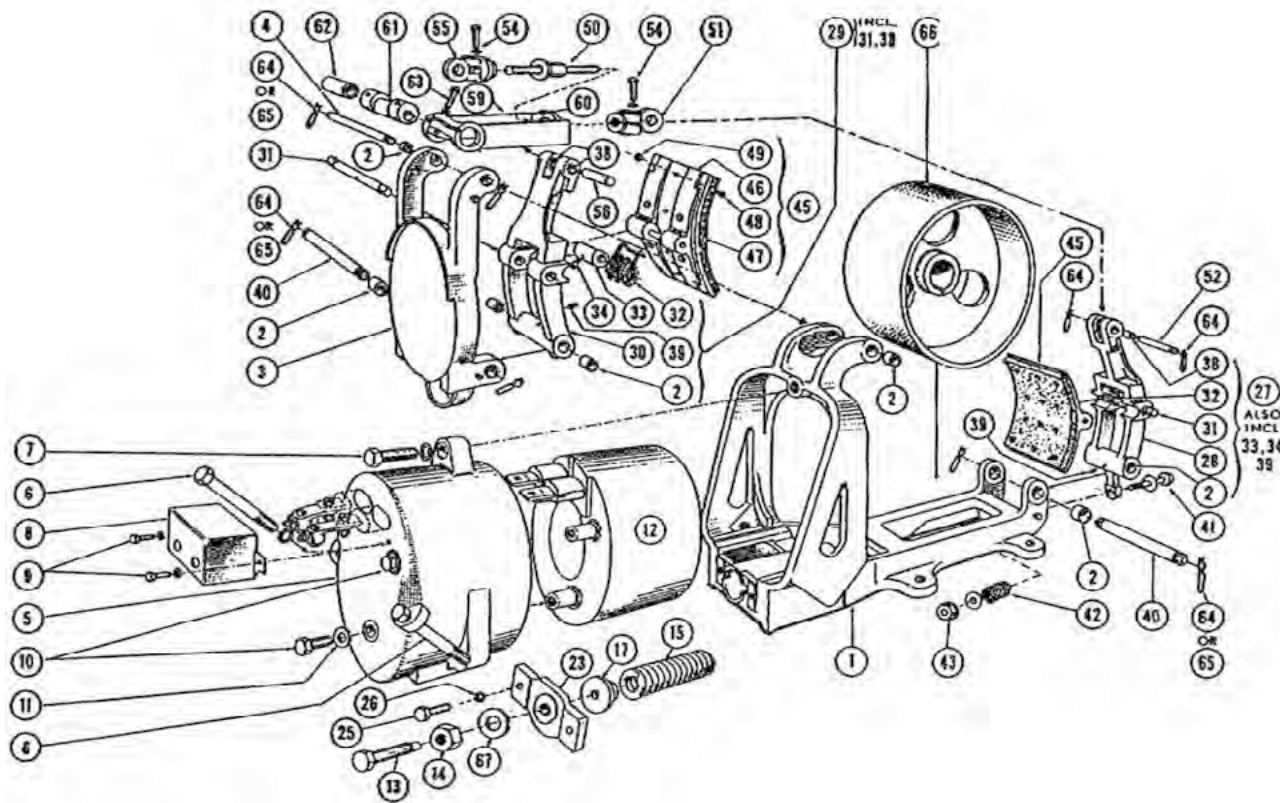


O.C.C.

Replacement Parts For

CLARK

CLARK 10" DC MAGNETIC BRAKE



This document utilizes an interactive table of contents to help you jump from one section to another. Click the button to return to the table of contents.

**RETURN TO  
TABLE OF CONTENTS**

*106 TYPE B DC MAGNETIC BRAKES*

- CLARK 8" DC MAGNETIC BRAKE
- CLARK 10" DC MAGNETIC BRAKE
- CLARK 13" DC MAGNETIC BRAKE
- CLARK 16" DC MAGNETIC BRAKE
- CLARK 19" DC MAGNETIC BRAKE
- CLARK 23" DC MAGNETIC BRAKE

*CONTACTORS*

*RELAYS & MASTER SWITCHES*

*INDEX*

# O.C.C.

## Replacement Parts For

# CLARK

### CLARK 10" DC MAGNETIC BRAKE

This document utilizes an interactive table of contents to help you jump from one section to another. Click the button to return to the table of contents.

**RETURN TO  
TABLE OF CONTENTS**

#### 106 TYPE B DC MAGNETIC BRAKES

- CLARK 8" DC MAGNETIC BRAKE
- CLARK 10" DC MAGNETIC BRAKE
- CLARK 13" DC MAGNETIC BRAKE
- CLARK 16" DC MAGNETIC BRAKE
- CLARK 19" DC MAGNETIC BRAKE
- CLARK 23" DC MAGNETIC BRAKE

#### CONTACTORS

#### RELAYS & MASTER SWITCHES

#### INDEX

| ITM | OEM            | DESCRIPTION                   | ITM | OEM        | DESCRIPTION               |
|-----|----------------|-------------------------------|-----|------------|---------------------------|
| 01  | C106-194781A   | Frame                         | 63  | T-121-86   | Lock Bolt, Equalizer Yoke |
| 02  | A106-194824    | Bushing                       | 64  | A106-65143 | Retainer, Bearing Pin     |
| 03  | A106-194707A   | Armature                      | 67  | T-282-2    | Spring Washer             |
| 04  | T-103-33       | Bearing Pin                   |     |            |                           |
| 05  | C106-194709    | Magnet Case                   |     |            |                           |
| 06  | T-121-230      | Bolt                          |     |            |                           |
| 07  | T-121-160      | Bolt                          |     |            |                           |
| 08  | A106-194739    | Terminal Shield               |     |            |                           |
| 09  | T-121-41       | Bolt                          |     |            |                           |
| 10  | T-121-75       | Bolt                          |     |            |                           |
| 11  | T-2-392        | Washer                        |     |            |                           |
| 12  | B106-194710-A1 | 10" Shunt Coil                |     |            |                           |
| 12  | B106-194710-A7 | Coil                          |     |            |                           |
| 12  | B106-194710-A5 | 10" Series Coil               |     |            |                           |
| 12  | B106-194710-A9 | Coil                          |     |            |                           |
| 12  | B106-194710-A4 | Series Coil                   |     |            |                           |
| 12  | B106-194710-A8 | Coil                          |     |            |                           |
| 13  | A106-230139-1  | Torque Adjusting Screw        |     |            |                           |
| 14  | T-115-58       | Nut                           |     |            |                           |
| 15  | A106-194723    | Torque Spring                 |     |            |                           |
| 17  | A106-230138-2  | Spring Seat                   |     |            |                           |
| 23  | A106-194782    | Pressure Plate                |     |            |                           |
| 24  | T-215-2        | Release Spring, Outer Arm     |     |            |                           |
| 25  | T-121-136      | Bolt                          |     |            |                           |
| 26  | T-155-20       | Washer                        |     |            |                           |
| 27  | A106-194773A   | Assembled Outer Arm & Shoe    |     |            |                           |
| 28  | A106-194772A   | Assembled Outer Arm           |     |            |                           |
| 29  | A106-194771A   | Assembled Inner Arm & Shoe    |     |            |                           |
| 30  | A106-194770A   | Assembled Inner Arm           |     |            |                           |
| 31  | A106-194774A   | Shoe Clamp Shaft & Stop Pin   |     |            |                           |
| 32  | B106-194839    | Shoe Clamp Spring             |     |            |                           |
| 33  | A106-194776    | Shoe Clamp Cam                |     |            |                           |
| 34  | T-143-2        | Shoe Clamp Cam Shaft Screw    |     |            |                           |
| 38  | A106-194824    | Bushing                       |     |            |                           |
| 39  | T-233-1        | Alemite Fittings              |     |            |                           |
| 40  | T-103-32       | Bearing Pin, Lower Arm        |     |            |                           |
| 41  | T-121-182      | Bolt                          |     |            |                           |
| 42  | T-215-2        | Release Spring, Outer Arm     |     |            |                           |
| 43  | T-281-4        | Lock Nut                      |     |            |                           |
| 45  | A106-194720A   | Assembled Brake Shoe & Lining |     |            |                           |
| 46  | A106-194734A   | Brake Shoe without Lining     |     |            |                           |
| 47  | B106-194722    | Shoe Lining                   |     |            |                           |
| 48  | T-122-25       | Shoe Lining Screws            |     |            |                           |
| 49  | T-281-1        | Lock Nut                      |     |            |                           |
| 50  | B106-194718A   | Adjusting Bar                 |     |            |                           |
| 51  | A106-194784A   | Outer Bar Eye                 |     |            |                           |
| 52  | T-103-22       | Bearing Pin, Outer Bar Eye    |     |            |                           |
| 54  | T-121-242      | Lock Bolt                     |     |            |                           |
| 55  | A106-194786A   | Inner Bar Eye                 |     |            |                           |
| 56  | A106-194815-4  | Bearing Pin, Inner Bar Eye    |     |            |                           |
| 59  | B106-194783    | Equalizer Yoke                |     |            |                           |
| 60  | T-152-21       | Gauge Pin                     |     |            |                           |
| 61  | A106-194731    | Eccentric Bushing             |     |            |                           |

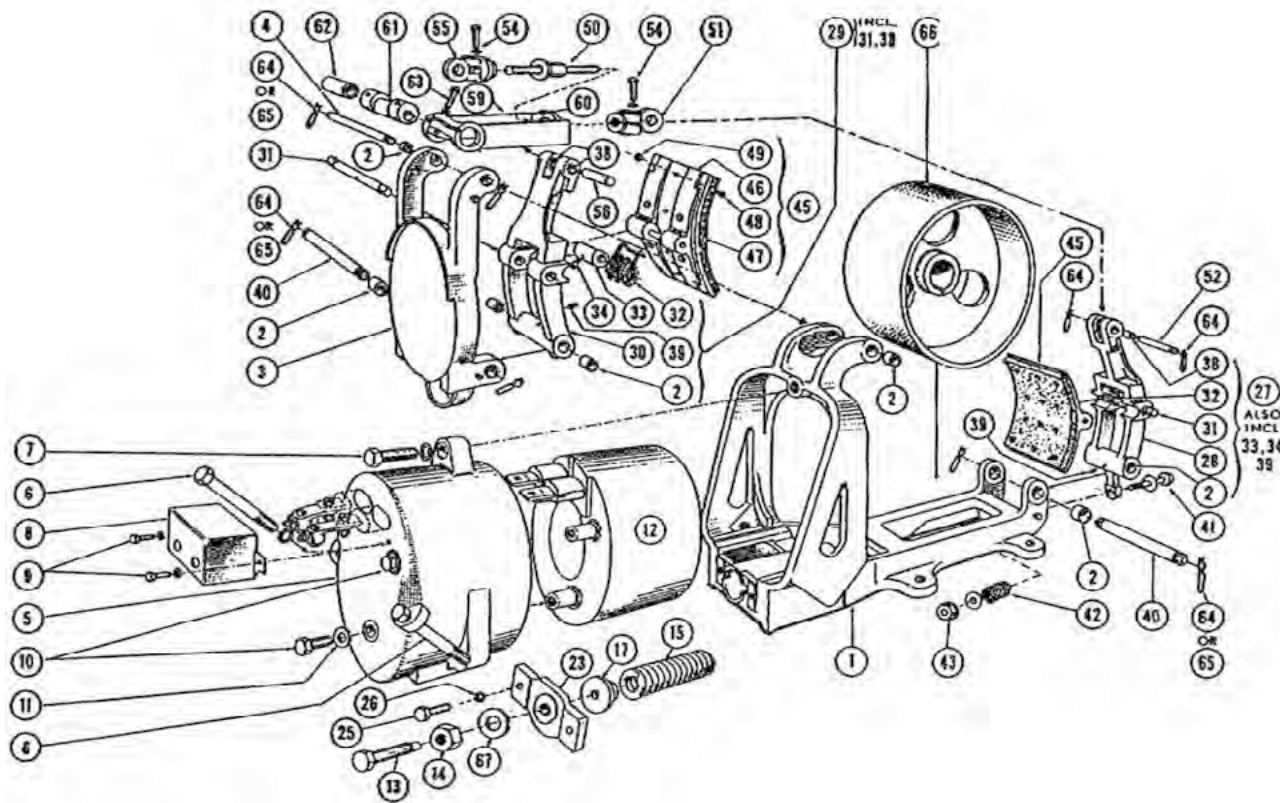


O.C.C.

Replacement Parts For

CLARK

CLARK 13" DC MAGNETIC BRAKE



This document utilizes an interactive table of contents to help you jump from one section to another. Click the button to return to the table of contents.

**RETURN TO  
TABLE OF CONTENTS**

*106 TYPE B DC MAGNETIC BRAKES*

- CLARK 8" DC MAGNETIC BRAKE
- CLARK 10" DC MAGNETIC BRAKE
- CLARK 13" DC MAGNETIC BRAKE
- CLARK 16" DC MAGNETIC BRAKE
- CLARK 19" DC MAGNETIC BRAKE
- CLARK 23" DC MAGNETIC BRAKE

*CONTACTORS*

*RELAYS & MASTER SWITCHES*

*INDEX*

# O.C.C.

## Replacement Parts For

# CLARK

### CLARK 13" DC MAGNETIC BRAKE

This document utilizes an interactive table of contents to help you jump from one section to another. Click the button to return to the table of contents.

**RETURN TO  
TABLE OF CONTENTS**

#### 106 TYPE B DC MAGNETIC BRAKES

- CLARK 8" DC MAGNETIC BRAKE
- CLARK 10" DC MAGNETIC BRAKE
- CLARK 13" DC MAGNETIC BRAKE
- CLARK 16" DC MAGNETIC BRAKE
- CLARK 19" DC MAGNETIC BRAKE
- CLARK 23" DC MAGNETIC BRAKE

#### CONTACTORS

#### RELAYS & MASTER SWITCHES

#### INDEX

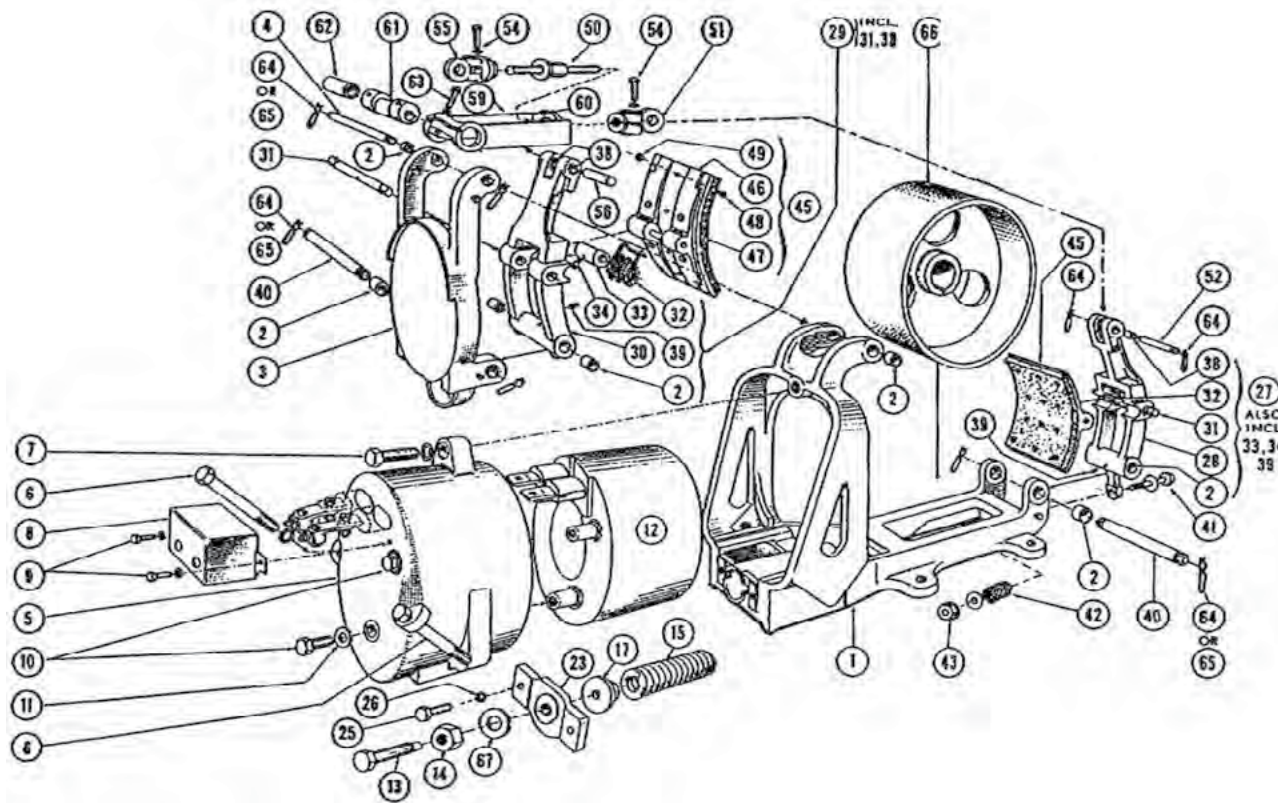
| ITM | OEM             | DESCRIPTION                   | ITM | OEM         | DESCRIPTION               |
|-----|-----------------|-------------------------------|-----|-------------|---------------------------|
| 01  | C106-200844A    | Frame                         | 60  | T-152-21    | Gauge Pin                 |
| 02  | A106-194836     | Bushing                       | 61  | A106-194831 | Eccentric Bushing         |
| 03  | A106-194819A    | Armature                      | 63  | T-121-249   | Lock Bolt, Equalizer Yoke |
| 04  | T-103-20        | Bearing Pin                   | 64  | A106-65143  | Retainer, Bearing Pin     |
| 05  | D106-194821     | Magnet Case                   | 67  | T-282-2     | Spring Washer             |
| 06  | T-121-197       | Magnet Case Bolts (Bottom)    | *   | T-121-170   | Magnet Case Bolts (Top)   |
| 07  | T-121-70        | Magnet Case Bolt              |     |             |                           |
| 08  | A106-194873     | Terminal Shield               |     |             |                           |
| 09  | T-121-43        | Terminal Shield Bolts         |     |             |                           |
| 10  | T-121-132       | Magnet Coil Bolts             |     |             |                           |
| 11  | T-2-386         | Washer                        |     |             |                           |
| 12  | B106-194872-A7  | 13" Series Coil               |     |             |                           |
| 12  | B106-194872-A1  | 13" Shunt Coil                |     |             |                           |
| 12  | B106-194872-A3  | 13" Series Coil               |     |             |                           |
| 12  | B106-194872-A4  | 13" Series Coil               |     |             |                           |
| 12  | B106-194872-A5  | 13" Series Coil               |     |             |                           |
| 12  | B106-194872-A6  | 13" Series Coil               |     |             |                           |
| 12  | B106-194872-A11 | 13" Series Coil               |     |             |                           |
| 12  | B106-194872-A16 | Coil                          |     |             |                           |
| 12  | B106-194872-A13 | Series Coil                   |     |             |                           |
| 13  | A106-230139-2   | Torque Adj. Screw             |     |             |                           |
| 14  | T-115-61        | Nut                           |     |             |                           |
| 15  | A106-194830     | Torque Spring                 |     |             |                           |
| 17  | A106-230138-3   | Spring Seat                   |     |             |                           |
| 23  | A106-200547     | Pressure Plate                |     |             |                           |
| 25  | T-121-136       | Bolt                          |     |             |                           |
| 26  | T-155-20        | Washer                        |     |             |                           |
| 27  | A106-200536A    | Outer Arm, Complete           |     |             |                           |
| 28  | A106-200537A    | Assembled Outer Arm           |     |             |                           |
| 29  | A106-200538A    | Inner Arm, Complete           |     |             |                           |
| 30  | A106-200539A    | Inner Arm Assembled           |     |             |                           |
| 31  | A106-200540A    | Shoe Clamp Shaft & Stop Pin   |     |             |                           |
| 32  | B106-194839     | Shoe Clamp Spring             |     |             |                           |
| 33  | A106-194776     | Shoe Clamp Cam                |     |             |                           |
| 34  | T-143-2         | Shoe Clamp Cam Shaft Screw    |     |             |                           |
| 38  | A106-194824     | Bushing                       |     |             |                           |
| 39  | T-233-1         | Alemite Fittings              |     |             |                           |
| 40  | T-103-21        | Bearing Pin, Lower Arm        |     |             |                           |
| 41  | T-121-183       | Bolt, Outer Arm Release       |     |             |                           |
| 42  | T-215-2         | Release Spring, Outer Arm     |     |             |                           |
| 43  | T-281-4         | Lock Nut                      |     |             |                           |
| 45  | A106-194805A    | Assembled Brake Shoe & Lining |     |             |                           |
| 46  | A106-194876A    | Brake Shoe Less Lining        |     |             |                           |
| 47  | C106-194828     | Shoe Lining                   |     |             |                           |
| 48  | T-122-55        | Shoe Lining Screws            |     |             |                           |
| 49  | T-281-2         | Lock Nut                      |     |             |                           |
| 50  | B106-194832A    | Adjusting Bar                 |     |             |                           |
| 51  | A106-194784A    | Outer Bar Eye                 |     |             |                           |
| 52  | T-103-22        | Bearing Pin, Outer Bar Eye    |     |             |                           |
| 54  | T-121-242       | Lock Bolt                     |     |             |                           |
| 55  | A106-194786A    | Inner Bar Eye                 |     |             |                           |
| 56  | A106-194815-4   | Bearing Pin, Inner Bar Eye    |     |             |                           |
| 59  | B106-200549     | Equalizer Yoke                |     |             |                           |

# O.C.C.

## Replacement Parts For

# CLARK

### CLARK 16" DC MAGNETIC BRAKE



This document utilizes an interactive table of contents to help you jump from one section to another. Click the button to return to the table of contents.

**RETURN TO  
TABLE OF CONTENTS**

#### 106 TYPE B DC MAGNETIC BRAKES

- CLARK 8" DC MAGNETIC BRAKE
- CLARK 10" DC MAGNETIC BRAKE
- CLARK 13" DC MAGNETIC BRAKE
- CLARK 16" DC MAGNETIC BRAKE
- CLARK 19" DC MAGNETIC BRAKE
- CLARK 23" DC MAGNETIC BRAKE

#### CONTACTORS

#### RELAYS & MASTER SWITCHES

#### INDEX

# O.C.C.

## Replacement Parts For

# CLARK

### CLARK 16" DC MAGNETIC BRAKE

| ITM     | OEM                   | DESCRIPTION                   | ITM     | OEM              | DESCRIPTION           |
|---------|-----------------------|-------------------------------|---------|------------------|-----------------------|
| 01..... | C106-194966A.....     | Frame                         | 61..... | A106-194924..... | Eccentric Bushing     |
| 02..... | A106-200686.....      | Bushing                       | 64..... | A106-65143.....  | Retainer, Bearing Pin |
| 03..... | A106-194907.....      | Armature                      | 65..... | A106-65072.....  | Retainer, Bearing Pin |
| 04..... | T-103-23.....         | Bearing Pin                   | 67..... | T-282-3.....     | Washer                |
| 05..... | D106-194909.....      | Magnet Case                   |         |                  |                       |
| 06..... | T-121-228.....        | Magnet Case Bolts (Bottom)    |         |                  |                       |
| 07..... | T-121-200.....        | Magnet Case Bolts (Top)       |         |                  |                       |
| 08..... | B106-194944.....      | Terminal Shield               |         |                  |                       |
| 09..... | T-121-43.....         | Terminal Shield Bolts         |         |                  |                       |
| 10..... | T-121-206.....        | Magnet Coil Bolts             |         |                  |                       |
| 11..... | T-2-389.....          | Washer                        |         |                  |                       |
| 12..... | B106-194941-0001..... | 16" Shunt Coil                |         |                  |                       |
| 12..... | B106-194941-A8.....   | 16" Series Coil               |         |                  |                       |
| 12..... | B106-194941-A3.....   | 16" Series Coil               |         |                  |                       |
| 12..... | B106-194941-A4.....   | 16" Series Coil               |         |                  |                       |
| 12..... | B106-194941-A5.....   | 16" Series Coil               |         |                  |                       |
| 12..... | B106-194941-A6.....   | 16" Series Coil               |         |                  |                       |
| 12..... | B106-194941-A7.....   | 16" Series Coil               |         |                  |                       |
| 12..... | B106-194941-A10.....  | 16" Series Coil               |         |                  |                       |
| 12..... | B106-194941-A11.....  | 16" Series Coil               |         |                  |                       |
| 13..... | A106-230139-3.....    | Torque Adj. Screw             |         |                  |                       |
| 14..... | T-115-69.....         | Nut                           |         |                  |                       |
| 15..... | A106-194930.....      | Torque Spring                 |         |                  |                       |
| 17..... | A106-230138-4.....    | Spring Seat                   |         |                  |                       |
| 23..... | A106-194981.....      | Pressure Plate                |         |                  |                       |
| 25..... | T-121-159.....        | Bolt for Pressure Plate       |         |                  |                       |
| 26..... | T-155-23.....         | Washer                        |         |                  |                       |
| 27..... | A106-194913A.....     | Outer Arm, Complete           |         |                  |                       |
| 28..... | A106-194914A.....     | Assembled Outer Arm           |         |                  |                       |
| 29..... | A106-194938A.....     | Inner Arm, Complete           |         |                  |                       |
| 30..... | A106-194939A.....     | Inner Arm Assembled           |         |                  |                       |
| 31..... | A106-194975A.....     | Shoe Clamp Shaft & Stop Pin   |         |                  |                       |
| 32..... | B106-200669.....      | Shoe Clamp Spring             |         |                  |                       |
| 33..... | A106-200688.....      | Shoe Clamp Cam                |         |                  |                       |
| 34..... | T-143-2.....          | Shoe Clamp Cam Shaft Screw    |         |                  |                       |
| 38..... | A106-194836.....      | Bushing                       |         |                  |                       |
| 39..... | T-233-1.....          | Alemite Fittings              |         |                  |                       |
| 40..... | T-103-25.....         | Bearing Pin, Lower Arm        |         |                  |                       |
| 42..... | T-215-3.....          | Release Spring, Outer Arm     |         |                  |                       |
| 43..... | T-281-4.....          | Lock Nut                      |         |                  |                       |
| 45..... | A106-194927A.....     | Assembled Brake Shoe & Lining |         |                  |                       |
| 46..... | A106-194940A.....     | Brake Shoe less lining        |         |                  |                       |
| 47..... | C106-194929.....      | Shoe Lining                   |         |                  |                       |
| 48..... | T-122-57.....         | Shoe Lining Screws            |         |                  |                       |
| 49..... | T-281-2.....          | Lock Nut                      |         |                  |                       |
| 50..... | B106-194918A.....     | Adjusting Bar                 |         |                  |                       |
| 51..... | A106-194984A.....     | Outer Bar Eye                 |         |                  |                       |
| 52..... | T-103-24.....         | Bearing Pin, Outer Bar Eye    |         |                  |                       |
| 54..... | T-121-140.....        | Lock Bolt                     |         |                  |                       |
| 55..... | A106-194986A.....     | Inner Bar Eye                 |         |                  |                       |
| 56..... | A106-194815-3.....    | Bearing Pin, Inner Bar Eye    |         |                  |                       |
| 59..... | B106-194983.....      | Equalizer Yoke                |         |                  |                       |
| 60..... | T-152-22.....         | Gauge Pin                     |         |                  |                       |

This document utilizes an interactive table of contents to help you jump from one section to another. Click the button to return to the table of contents.

**RETURN TO  
TABLE OF CONTENTS**

**106 TYPE B DC MAGNETIC BRAKES**

- CLARK 8" DC MAGNETIC BRAKE
- CLARK 10" DC MAGNETIC BRAKE
- CLARK 13" DC MAGNETIC BRAKE
- CLARK 16" DC MAGNETIC BRAKE
- CLARK 19" DC MAGNETIC BRAKE
- CLARK 23" DC MAGNETIC BRAKE

**CONTACTORS**

**RELAYS & MASTER SWITCHES**

**INDEX**

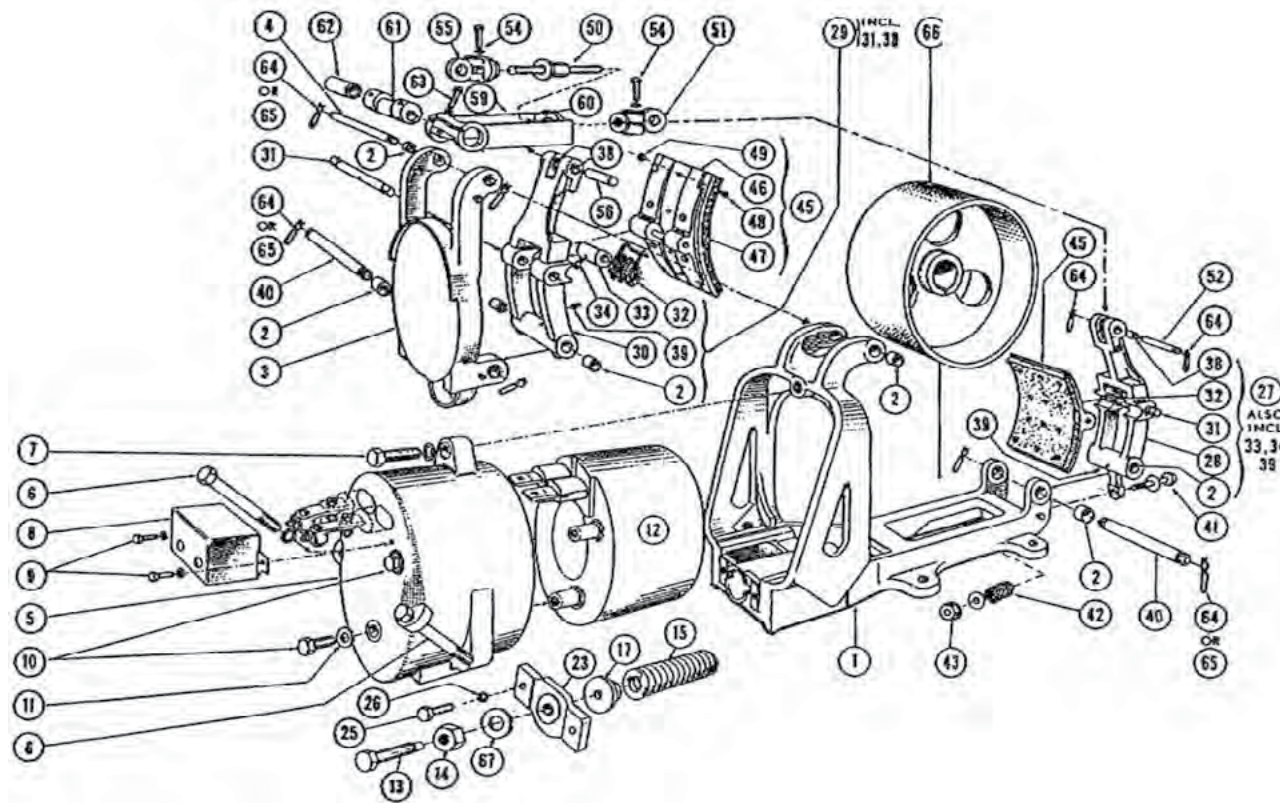


# O.C.C.

## Replacement Parts For

# CLARK

### CLARK 19" DC MAGNETIC BRAKE



This document utilizes an interactive table of contents to help you jump from one section to another. Click the button to return to the table of contents.

**RETURN TO  
TABLE OF CONTENTS**

#### 106 TYPE B DC MAGNETIC BRAKES

- CLARK 8" DC MAGNETIC BRAKE
- CLARK 10" DC MAGNETIC BRAKE
- CLARK 13" DC MAGNETIC BRAKE
- CLARK 16" DC MAGNETIC BRAKE
- CLARK 19" DC MAGNETIC BRAKE
- CLARK 23" DC MAGNETIC BRAKE

#### CONTACTORS

#### RELAYS & MASTER SWITCHES

#### INDEX

# O.C.C.

## Replacement Parts For

# CLARK

### CLARK 19" DC MAGNETIC BRAKE

This document utilizes an interactive table of contents to help you jump from one section to another. Click the button to return to the table of contents.

**RETURN TO  
TABLE OF CONTENTS**

#### 106 TYPE B DC MAGNETIC BRAKES

- CLARK 8" DC MAGNETIC BRAKE
- CLARK 10" DC MAGNETIC BRAKE
- CLARK 13" DC MAGNETIC BRAKE
- CLARK 16" DC MAGNETIC BRAKE
- CLARK 19" DC MAGNETIC BRAKE
- CLARK 23" DC MAGNETIC BRAKE

#### CONTACTORS

#### RELAYS & MASTER SWITCHES

#### INDEX

| ITM | OEM            | DESCRIPTION                   | ITM | OEM         | DESCRIPTION           |
|-----|----------------|-------------------------------|-----|-------------|-----------------------|
| 01  | C106-200712A   | Frame                         | 61  | A106-200677 | Eccentric Bushing     |
| 02  | A106-200687    | Bushing                       | 63  | T-121-242   | Lock Bolt             |
| 03  | A106-200657A   | Armature                      | 64  | A106-65072  | Retainer, Bearing Pin |
| 04  | T-103-26       | Bearing Pin                   | 65  | A106-79064  | Retainer, Bearing Pin |
| 05  | D106-200660    | Magnet Case                   | 67  | T-282-4     | Spring Washer         |
| 06  | T-121-229      | Magnet Case Bolts (Bottom)    |     |             |                       |
| 07  | T-121-175      | Magnet Case Bolts (Top)       |     |             |                       |
| 08  | B106-200696    | Terminal Shield               |     |             |                       |
| 09  | T-121-43       | Terminal Shield Bolts         |     |             |                       |
| 10  | T-121-206      | Magnet Coil Bolts             |     |             |                       |
| 11  | T-2-389        | Washer                        |     |             |                       |
| 12  | B106-200703-A5 | 19" Series Coil               |     |             |                       |
| 12  | B106-200703-A2 | 19" Series Coil               |     |             |                       |
| 12  | B106-200703-A3 | 19" Series Coil               |     |             |                       |
| 12  | B106-200703-A4 | 19" Series Coil               |     |             |                       |
| 12  | B106-200703-A6 | 19" Series Coil               |     |             |                       |
| 12  | B106-200703-A7 | 19" Series Coil               |     |             |                       |
| 12  | B106-200703-A8 | 19" Series Coil               |     |             |                       |
| 12  | B106-200703-A1 | 19" Shunt Coil                |     |             |                       |
| 13  | A106-230139-4  | Torque Adj. Screw             |     |             |                       |
| 14  | T-115-89       | Nut                           |     |             |                       |
| 15  | A106-200683    | Torque Spring                 |     |             |                       |
| 17  | A106-230138-5  | Spring Seat                   |     |             |                       |
| 23  | A106-200715    | Pressure Plate                |     |             |                       |
| 25  | T-121-136      | Bolt                          |     |             |                       |
| 26  | T-155-20       | Washer                        |     |             |                       |
| 27  | A106-200664A   | Outer Arm, Complete           |     |             |                       |
| 28  | A106-200665A   | Assembled Outer Arm           |     |             |                       |
| 29  | A106-200693A   | Inner Arm, Complete           |     |             |                       |
| 30  | A106-200694A   | Inner Arm Assembled           |     |             |                       |
| 31  | A106-200709A   | Shoe Clamp Shaft & Stop Pin   |     |             |                       |
| 32  | B106-200669    | Shoe Clamp Spring             |     |             |                       |
| 33  | A106-200688    | Shoe Clamp Cam                |     |             |                       |
| 34  | T-143-2        | Shoe Clamp Cam Shaft Screw    |     |             |                       |
| 38  | A106-200686    | Bushing                       |     |             |                       |
| 39  | T-233-1        | Alemite Fittings              |     |             |                       |
| 40  | T-103-28       | Bearing Pin, Lower Arm        |     |             |                       |
| 41  | T-121-255      | Bolt, Outer Arm Release       |     |             |                       |
| 42  | T-215-3        | Release Spring, Outer Arm     |     |             |                       |
| 43  | T-281-4        | Lock Nut                      |     |             |                       |
| 45  | A106-200680A   | Assembled Brake Shoe & Lining |     |             |                       |
| 46  | A106-200704A   | Brake Shoe less lining        |     |             |                       |
| 47  | C106-200682    | Shoe Lining                   |     |             |                       |
| 48  | T-122-57       | Shoe Lining Screws            |     |             |                       |
| 49  | T-281-2        | Lock Nut                      |     |             |                       |
| 50  | B106-200671A   | Adjusting Bar                 |     |             |                       |
| 51  | A106-200718A   | Outer Bar Eye                 |     |             |                       |
| 52  | T-103-27       | Bearing Pin, Outer Bar Eye    |     |             |                       |
| 54  | T-121-160      | Bolt                          |     |             |                       |
| 55  | A106-200720A   | Inner Bar Eye                 |     |             |                       |
| 56  | A106-194815-2  | Bearing Pin, Inner Bar Eye    |     |             |                       |
| 59  | B106-200717    | Equalizer Yoke                |     |             |                       |
| 60  | T-152-23       | Gauge Pin                     |     |             |                       |

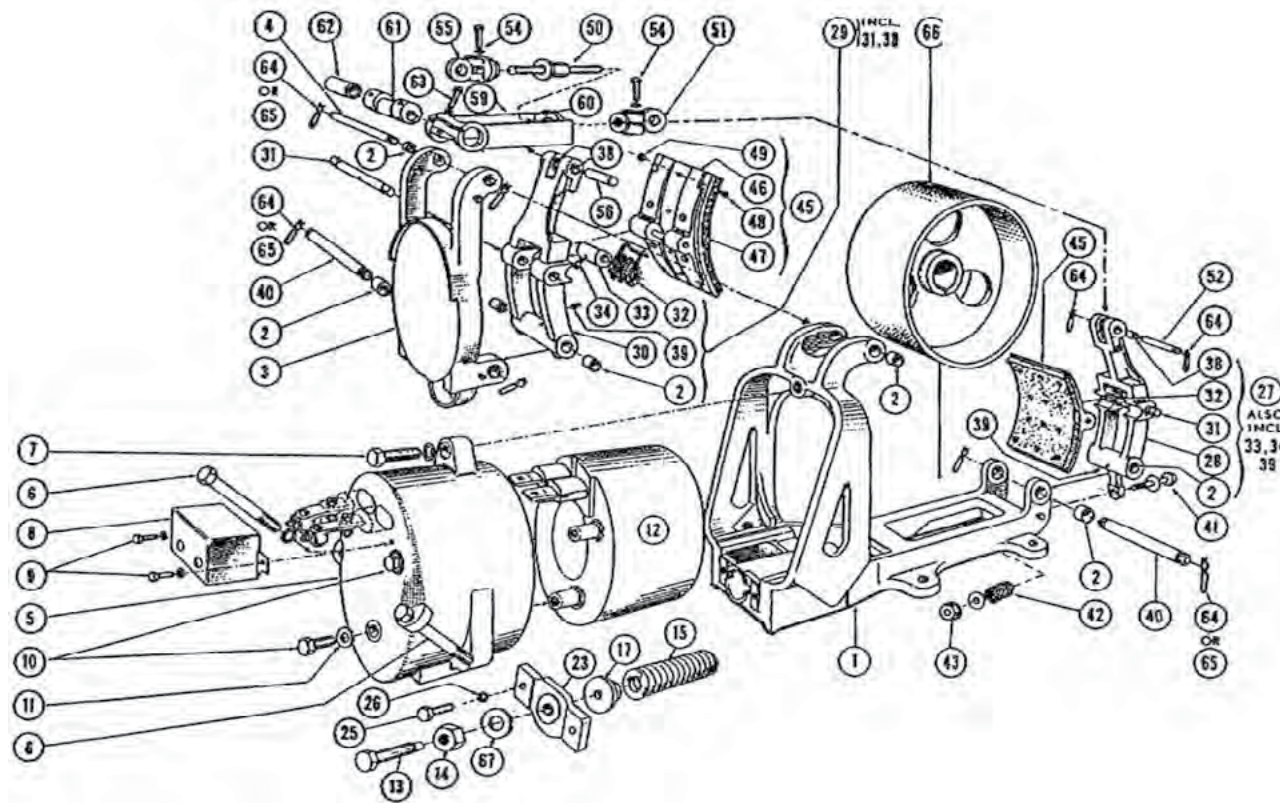


O.C.C.

Replacement Parts For

CLARK

CLARK 23" DC MAGNETIC BRAKE



This document utilizes an interactive table of contents to help you jump from one section to another. Click the button to return to the table of contents.

**RETURN TO  
TABLE OF CONTENTS**

*106 TYPE B DC MAGNETIC BRAKES*

- CLARK 8" DC MAGNETIC BRAKE
- CLARK 10" DC MAGNETIC BRAKE
- CLARK 13" DC MAGNETIC BRAKE
- CLARK 16" DC MAGNETIC BRAKE
- CLARK 19" DC MAGNETIC BRAKE
- CLARK 23" DC MAGNETIC BRAKE

*CONTACTORS*

*RELAYS & MASTER SWITCHES*

*INDEX*

# O.C.C.

## Replacement Parts For

# CLARK

### CLARK 23" DC MAGNETIC BRAKE

| ITM     | OEM                 | DESCRIPTION                   | ITM     | OEM                | DESCRIPTION                |
|---------|---------------------|-------------------------------|---------|--------------------|----------------------------|
| 01..... | D106-200504A.....   | Frame                         | 56..... | A106-194815-2..... | Bearing Pin, Inner Bar Eye |
| 02..... | A106-200687.....    | Bushing                       | 59..... | B106-200511.....   | Equalizer Yoke             |
| 03..... | A106-200457A.....   | Armature                      | 60..... | T-152-23.....      | Gauge Pin                  |
| 04..... | T-103-29.....       | Bearing Pin                   | 61..... | A106-200474.....   | Eccentric Bushing          |
| 05..... | D106-200459.....    | Magnet Case                   | 62..... | A106-200471.....   | Eccentric Bushing Spacer   |
| 06..... | T-121-204.....      | Magnet Case Bolts (Bottom)    | 63..... | T-121-205.....     | Lock Bolt, Equalizer Yoke  |
| 07..... | T-121-203.....      | Magnet Case Bolts (Top)       | 64..... | A106-65072.....    | Retainer, Bearing Pin      |
| 08..... | B106-200476.....    | Terminal Shield               | 65..... | A106-79064.....    | Retainer, Bearing Pin      |
| 08..... | T-121-43.....       | Terminal Shield Bolts         | 67..... | T-282-4.....       | Spring Washer              |
| 10..... | T-121-167.....      | Magnet Coil Bolts             |         |                    |                            |
| 11..... | T-2-388.....        | Washer                        |         |                    |                            |
| 12..... | B106-200460-A5..... | 23" Series Coil               |         |                    |                            |
| 12..... | B106-200460-A2..... | 23" Series Coil               |         |                    |                            |
| 12..... | B106-200460-A3..... | 23" Series Coil               |         |                    |                            |
| 12..... | B106-200460-A4..... | 23" Series Coil               |         |                    |                            |
| 12..... | B106-200460-A1..... | 23" Shunt Coil                |         |                    |                            |
| 13..... | A106-220139-4.....  | Torque Adj. Screw             |         |                    |                            |
| 14..... | T-115-89.....       | Nut                           |         |                    |                            |
| 15..... | A106-200480.....    | Torque Spring                 |         |                    |                            |
| 17..... | A106-230138-6.....  | Spring Seat                   |         |                    |                            |
| 18..... | A106-194850A.....   | Torque Indicator Rod          |         |                    |                            |
| 19..... | A106-194859.....    | Spring                        |         |                    |                            |
| 20..... | A106-194861.....    | Rod Spring                    |         |                    |                            |
| 21..... | T-2-145.....        | Washer                        |         |                    |                            |
| 22..... | T-115-19.....       | Hex Nut                       |         |                    |                            |
| 24..... | A106-200509.....    | Pressure Plate                |         |                    |                            |
| 25..... | T-121-159.....      | Bolt for Pressure Plate       |         |                    |                            |
| 26..... | T-155-23.....       | Washer                        |         |                    |                            |
| 27..... | A106-200497A.....   | Outer Arm, Complete           |         |                    |                            |
| 28..... | A106-200499A.....   | Assembled Outer Arm           |         |                    |                            |
| 29..... | A106-200498A.....   | Inner Arm, Complete           |         |                    |                            |
| 30..... | A106-200500A.....   | Inner Arm Assembled           |         |                    |                            |
| 31..... | A106-200494A.....   | Shoe Clamp Shaft & Stop Pin   |         |                    |                            |
| 32..... | B106-200669.....    | Shoe Clamp Spring             |         |                    |                            |
| 33..... | A106-200688.....    | Shoe Clamp Cam                |         |                    |                            |
| 34..... | T-143-2.....        | Shoe Clamp Cam Shaft Screw    |         |                    |                            |
| 38..... | A106-200686.....    | Bushing                       |         |                    |                            |
| 39..... | T-233-1.....        | Alemite Fittings              |         |                    |                            |
| 40..... | T-103-30.....       | Bearing Pin, Lower Arm        |         |                    |                            |
| 41..... | T-121-255.....      | Bolt, Outer Arm Release       |         |                    |                            |
| 42..... | T-215-3.....        | Release Spring, Outer Arm     |         |                    |                            |
| 43..... | T-281-4.....        | Lock Nut                      |         |                    |                            |
| 45..... | A106-200477A.....   | Assembled Brake Shoe & Lining |         |                    |                            |
| 46..... | A106-200472A.....   | Brake Shoe Less Lining        |         |                    |                            |
| 47..... | B106-200479.....    | 23" Shoe Lining               |         |                    |                            |
| 48..... | T-122-57.....       | Shoe Lining Screws            |         |                    |                            |
| 49..... | T-281-2.....        | Lock Nut                      |         |                    |                            |
| 50..... | B106-200468A.....   | Adjusting Bar                 |         |                    |                            |
| 51..... | A106-200718A.....   | Outer Bar Eye                 |         |                    |                            |
| 52..... | T-103-27.....       | Bearing Pin, Outer Bar Eye    |         |                    |                            |
| 54..... | T-121-160.....      | Bolt                          |         |                    |                            |
| 55..... | A106-200720A.....   | Inner Bar Eye                 |         |                    |                            |

This document utilizes an interactive table of contents to help you jump from one section to another. Click the button to return to the table of contents.

**RETURN TO  
TABLE OF CONTENTS**

*106 TYPE B DC MAGNETIC BRAKES*

- CLARK 8" DC MAGNETIC BRAKE
- CLARK 10" DC MAGNETIC BRAKE
- CLARK 13" DC MAGNETIC BRAKE
- CLARK 16" DC MAGNETIC BRAKE
- CLARK 19" DC MAGNETIC BRAKE
- CLARK 23" DC MAGNETIC BRAKE

*CONTACTORS*

*RELAYS & MASTER SWITCHES*

*INDEX*

O.C.C.

Replacement Parts For

CLARK

DC MAGNETIC CONTACTOR FORM 100-4RD

This document utilizes an interactive table of contents to help you jump from one section to another. Click the button to return to the table of contents.

**RETURN TO  
TABLE OF CONTENTS**

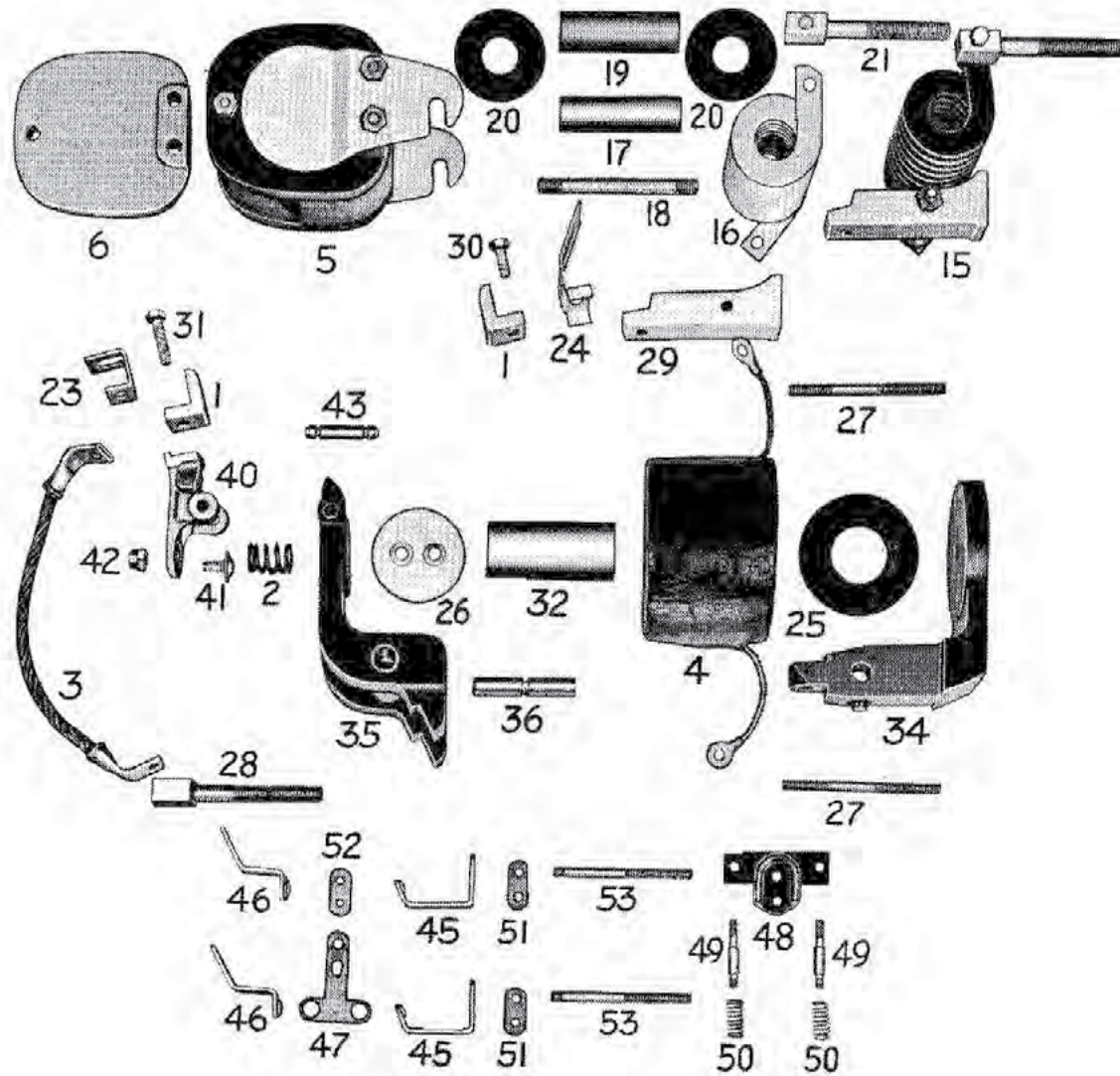
*106 TYPE B DC MAGNETIC BRAKES*

*CONTACTORS*

- DC MAGNETIC CONTACTOR FORM 100--4RD
- DC MAGNETIC CONTACTOR FORM 150--4RD
- DC MAGNETIC CONTACTOR FORM 300--4RD
- DC MAGNETIC CONTACTOR FORM 400--4RD
- DC MAGNETIC CONTACTOR FORM 600--4RD
- DC MAGNETIC CONTACTOR FORM 900--4RD
- DC MAGNETIC CONTACTOR FORM 100--4RT
- DC MAGNETIC CONTACTOR FORM 150--4RT
- DC MAGNETIC CONTACTOR FORM 300--4RT
- DC MAGNETIC CONTACTOR FORM 400--4RT
- DC MAGNETIC CONTACTOR FORM 100--5RS
- DC MAGNETIC CONTACTOR FORM 150--5RS
- DC MAGNETIC CONTACTOR FORM 300--5RS
- DC MAGNETIC CONTACTOR FORM 400--5RS
- DC MAGNETIC CONTACTOR FORM 600--5RS
- DC MAGNETIC CONTACTOR FORM 100--3L3A
- DC MAGNETIC CONTACTOR FORM 150--3R3A
- DC MAGNETIC CONTACTOR FORM 400--3R3A
- DC MAGNETIC CONTACTOR TYPE KD 100 AMP
- DC MAGNETIC CONTACTOR TYPE KD 150 AMP
- DC MAGNETIC CONTACTOR TYPE KD 300 AMP

*RELAYS & MASTER SWITCHES*

*INDEX*





# O.C.C.

## Replacement Parts For

# CLARK

### DC MAGNETIC CONTACTOR FORM 100-4RD

| ITM     | OEM        | DESCRIPTION                    | ITM     | OEM       | DESCRIPTION                     |
|---------|------------|--------------------------------|---------|-----------|---------------------------------|
| 01..... | A16-1936   | Contact (Main-Mov. & Sta.)     | 46..... | A18-9466A | Stationary Control Contact      |
| 02..... | A18-2518   | Contact Spring-Back Connected  | 47..... | A18-9464A | Auxiliary Contact Bar, Moveable |
| 03..... | A18-2510A  | Connector                      | 48..... | A18-2544  | Aux. Contact Insulator          |
| 04..... | TB-17-3    | Coil, 115V                     | 49..... | A18-9477  | Aux. Contact Stud               |
| 04..... | TB-17-1    | Coil, 230V                     | 50..... | A18-9483  | Spring                          |
| 04..... | TB-17-2    | Coil, 550V                     | 51..... | A18-2543  | Aux. Contact Base Plate         |
| 04..... | TB-16-3    | Coil, 115V                     | 52..... | A18-2542  | Aux. Contact Plate              |
| 04..... | TB-16-1    | Coil, 230V                     | 53..... | T-7-36    | Aux. Stud                       |
| 04..... | TB-16-2    | Coil, 550V                     | 53..... | T-7-150   | Aux. Stud                       |
| 05..... | A18-22027A | Arc Shield, Assembly           |         |           |                                 |
| 06..... | A18-21305  | Arc Shield Side Plate          |         |           |                                 |
| 07..... | T-38-65    | Arc Shield Washer              |         |           |                                 |
| 08..... | T-120-99   | Arc Shield Stud                |         |           |                                 |
| 09..... | T-120-96   | Arc Shield Stud                |         |           |                                 |
| 10..... | A18-21324  | Arc Barrier, Front             |         |           |                                 |
| 11..... | A18-8124   | Arc Barrier, Rear              |         |           |                                 |
| 11..... | A16-8124   | Arc Barrier, Rear              |         |           |                                 |
| 13..... | A18-2528   | Blowout Ear, R.H.              |         |           |                                 |
| 14..... | A18-2529   | Blowout Ear, L.H.              |         |           |                                 |
| 15..... | A18-23678A | Blowout Coil, Assembly         |         |           |                                 |
| 16..... | A18-23679  | Blowout Coil                   |         |           |                                 |
| 17..... | T-24-92    | Blowout Core                   |         |           |                                 |
| 18..... | T-121-28   | Blowout Core Stud              |         |           |                                 |
| 19..... | T-39-169   | Blowout Core Insulator         |         |           |                                 |
| 20..... | T-38-38    | Blowout Washer                 |         |           |                                 |
| 21..... | A18-23680  | Blowout Stud                   |         |           |                                 |
| 22..... | A18-23682  | Blowout Spacer                 |         |           |                                 |
| 24..... | A16-8126   | Arc Horn, Rear                 |         |           |                                 |
| *       | A18-2534   | Arc Horn, Front                |         |           |                                 |
| 25..... | A18-6710   | Coil Washer                    |         |           |                                 |
| 26..... | A18-2548   | Coil Clamp                     |         |           |                                 |
| 27..... | T-7-47     | Coil Terminal Stud             |         |           |                                 |
| 27..... | T-7-199    | Coil Terminal Stud             |         |           |                                 |
| 28..... | A18-2551   | Connector Stud                 |         |           |                                 |
| 28..... | A18-16994  | Connector Stud                 |         |           |                                 |
| 29..... | A18-23681  | Contact Stud                   |         |           |                                 |
| 30..... | T-132-21   | Contact Screw                  |         |           |                                 |
| 31..... | T-121-13   | Contact Screw                  |         |           |                                 |
| 32..... | A18-3469   | Core                           |         |           |                                 |
| 33..... | T-2-29     | Core Spacer                    |         |           |                                 |
| 34..... | A18-25357A | Frame                          |         |           |                                 |
| 35..... | A18-25339A | Main Arm, Assembly             |         |           |                                 |
| 36..... | T-66-1     | Main Arm Pin                   |         |           |                                 |
| 37..... | A18-9491-1 | Main Arm Bushing, Upper        |         |           |                                 |
| 38..... | A18-9474-9 | Main Arm Bushing, Lower        |         |           |                                 |
| 39..... | T-40-21    | Main Arm Bushing, Lower, Brass |         |           |                                 |
| 40..... | A18-26288A | Main Contact Support-Back Conn |         |           |                                 |
| 41..... | A18-5065A  | Mov Contact Support Adj Screw  |         |           |                                 |
| 42..... | A18-9469   | Mov Contact Support Lock Nut   |         |           |                                 |
| 43..... | A18-24379  | Moving Contact Support Pin     |         |           |                                 |
| 44..... | A18-2535   | Stop Stud                      |         |           |                                 |
| 45..... | A18-9465A  | Stationary Control Contact     |         |           |                                 |

This document utilizes an interactive table of contents to help you jump from one section to another. Click the button to return to the table of contents.

**RETURN TO  
TABLE OF CONTENTS**

#### 106 TYPE B DC MAGNETIC BRAKES

#### CONTACTORS

- DC MAGNETIC CONTACTOR FORM 100--4RD
- DC MAGNETIC CONTACTOR FORM 150--4RD
- DC MAGNETIC CONTACTOR FORM 300--4RD
- DC MAGNETIC CONTACTOR FORM 400--4RD
- DC MAGNETIC CONTACTOR FORM 600--4RD
- DC MAGNETIC CONTACTOR FORM 900--4RD
- DC MAGNETIC CONTACTOR FORM 100--4RT
- DC MAGNETIC CONTACTOR FORM 150--4RT
- DC MAGNETIC CONTACTOR FORM 300--4RT
- DC MAGNETIC CONTACTOR FORM 400--4RT
- DC MAGNETIC CONTACTOR FORM 100--5RS
- DC MAGNETIC CONTACTOR FORM 150--5RS
- DC MAGNETIC CONTACTOR FORM 300--5RS
- DC MAGNETIC CONTACTOR FORM 400--5RS
- DC MAGNETIC CONTACTOR FORM 600--5RS
- DC MAGNETIC CONTACTOR FORM 100--3L3A
- DC MAGNETIC CONTACTOR FORM 150--3R3A
- DC MAGNETIC CONTACTOR FORM 400--3R3A
- DC MAGNETIC CONTACTOR TYPE KD 100 AMP
- DC MAGNETIC CONTACTOR TYPE KD 150 AMP
- DC MAGNETIC CONTACTOR TYPE KD 300 AMP

#### RELAYS & MASTER SWITCHES

#### INDEX

# O.C.C.

## Replacement Parts For

# CLARK

### DC MAGNETIC CONTACTOR FORM 150-4RD

This document utilizes an interactive table of contents to help you jump from one section to another. Click the button to return to the table of contents.

**RETURN TO  
TABLE OF CONTENTS**

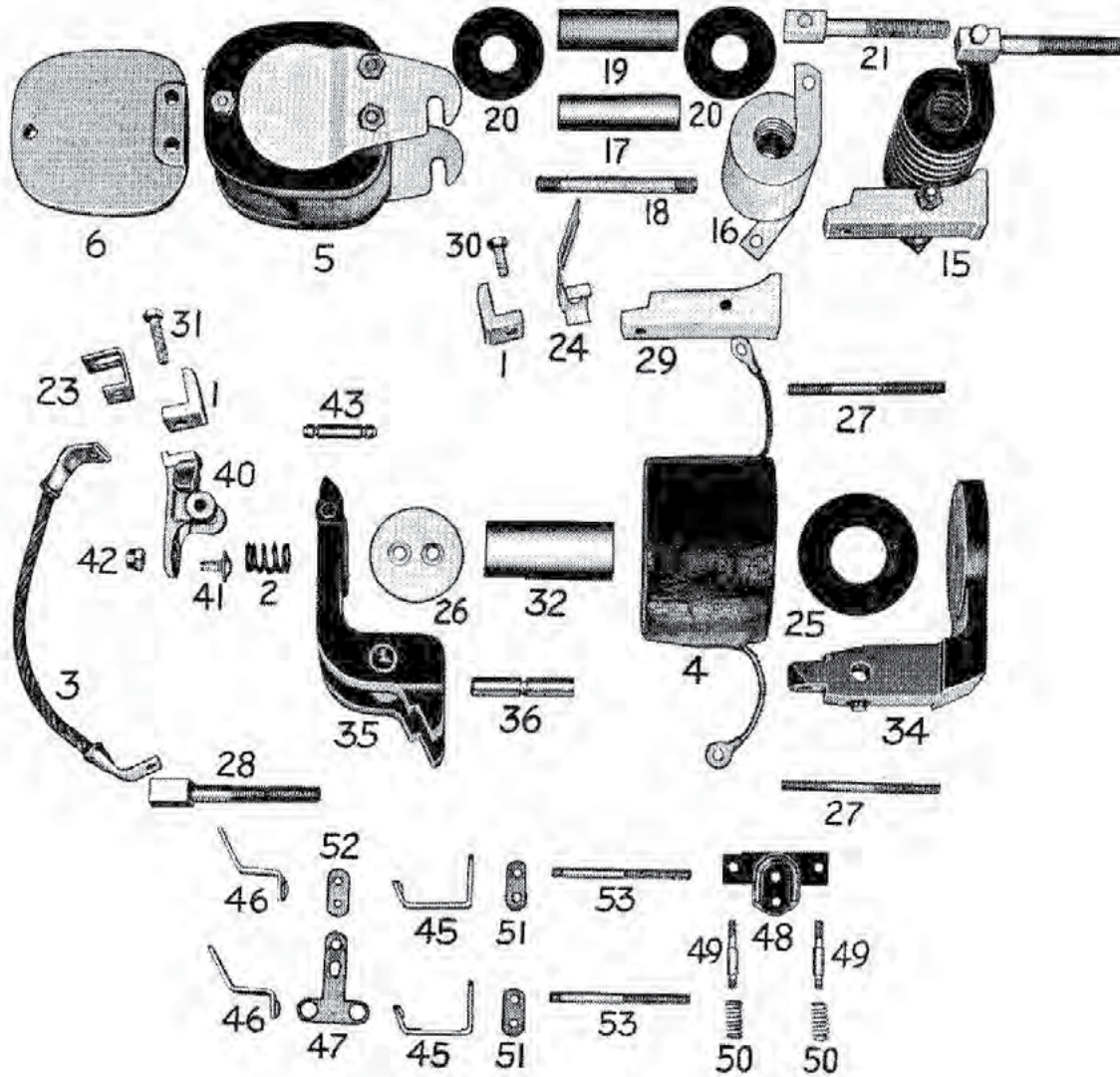
#### 106 TYPE B DC MAGNETIC BRAKES

#### CONTACTORS

- DC MAGNETIC CONTACTOR FORM 100--4RD
- DC MAGNETIC CONTACTOR FORM 150--4RD
- DC MAGNETIC CONTACTOR FORM 300--4RD
- DC MAGNETIC CONTACTOR FORM 400--4RD
- DC MAGNETIC CONTACTOR FORM 600--4RD
- DC MAGNETIC CONTACTOR FORM 900--4RD
- DC MAGNETIC CONTACTOR FORM 100--4RT
- DC MAGNETIC CONTACTOR FORM 150--4RT
- DC MAGNETIC CONTACTOR FORM 300--4RT
- DC MAGNETIC CONTACTOR FORM 400--4RT
- DC MAGNETIC CONTACTOR FORM 100--5RS
- DC MAGNETIC CONTACTOR FORM 150--5RS
- DC MAGNETIC CONTACTOR FORM 300--5RS
- DC MAGNETIC CONTACTOR FORM 400--5RS
- DC MAGNETIC CONTACTOR FORM 600--5RS
- DC MAGNETIC CONTACTOR FORM 100--3L3A
- DC MAGNETIC CONTACTOR FORM 150--3R3A
- DC MAGNETIC CONTACTOR FORM 400--3R3A
- DC MAGNETIC CONTACTOR TYPE KD 100 AMP
- DC MAGNETIC CONTACTOR TYPE KD 150 AMP
- DC MAGNETIC CONTACTOR TYPE KD 300 AMP

#### RELAYS & MASTER SWITCHES

#### INDEX



# O.C.C.

## Replacement Parts For

# CLARK

### DC MAGNETIC CONTACTOR FORM 150-4RD

| ITM     | OEM                | DESCRIPTION                    | ITM     | OEM               | DESCRIPTION                     |
|---------|--------------------|--------------------------------|---------|-------------------|---------------------------------|
| 01..... | A16-7980.....      | Contact                        | 47..... | A18-9464A.....    | Auxiliary Contact Bar, Moveable |
| 02..... | A18-8897.....      | Contact Spring-Back Connected  | 48..... | A18-2544.....     | Aux. Contact Insulator          |
| 03..... | A18-8863A.....     | Connector                      | 49..... | A18-9477.....     | Aux. Contact Stud               |
| 04..... | TB-41-1.....       | Coil, 115V                     | 50..... | A18-9483.....     | Spring                          |
| 04..... | TB-40-1.....       | Coil, 115V                     | 51..... | A18-2543.....     | Aux. Contact Base Plate         |
| 04..... | TB-41-2.....       | Coil, 230V                     | 52..... | A18-2542.....     | Aux. Contact Plate              |
| 04..... | TB-40-2.....       | Coil, 230V                     | 53..... | T-7-47.....       | Coil Terminal Stud              |
| 04..... | TB-41-3.....       | Coil, 550 VDC                  | 53..... | T-7-36.....       | Aux. Stud                       |
| 04..... | TB-40-3.....       | Coil, 550                      | 53..... | T-7-150.....      | Aux. Stud                       |
| 05..... | A18-22026A.....    | Arc Shield, Assembly           | *       | A77-207707-A..... | Silver Contact Tip              |
| 06..... | A18-21322.....     | Arc Shield Side Plate          |         |                   |                                 |
| 07..... | T-38-65.....       | Arc Shield Washer              |         |                   |                                 |
| 08..... | T-7-122.....       | Arc Shield Stud                |         |                   |                                 |
| 09..... | T-120-186.....     | Arc Shield Stud                |         |                   |                                 |
| 10..... | A18-21323.....     | Arc Barrier, Front             |         |                   |                                 |
| 11..... | A16-8005.....      | Arc Barrier, Rear              |         |                   |                                 |
| 13..... | A18-3510.....      | Blowout Ear, R.H.              |         |                   |                                 |
| 14..... | A18-3511.....      | Blowout Ear, L.H.              |         |                   |                                 |
| 15..... | A18-23688A.....    | Blowout Coil, Assembly         |         |                   |                                 |
| 16..... | A18-23689.....     | Blowout Coil                   |         |                   |                                 |
| 17..... | T-24-93.....       | Blowout Core                   |         |                   |                                 |
| 18..... | T-7-123.....       | Blowout Core Stud              |         |                   |                                 |
| 19..... | T-39-86.....       | Blowout Core Insulator         |         |                   |                                 |
| 20..... | T-38-36.....       | Blowout Washer                 |         |                   |                                 |
| 21..... | A18-23690.....     | Blowout Stud                   |         |                   |                                 |
| 22..... | A18-23692.....     | Blowout Spacer                 |         |                   |                                 |
| 24..... | A16-8007.....      | Arc Horn, Rear                 |         |                   |                                 |
| *       | A16-8008.....      | Arc Horn, Front                |         |                   |                                 |
| 25..... | A18-24397.....     | Coil Washer                    |         |                   |                                 |
| 26..... | A18-8887.....      | Coil Clamp                     |         |                   |                                 |
| 27..... | T-7-199.....       | Coil Terminal Stud             |         |                   |                                 |
| 28..... | A18-16994.....     | Connector Stud                 |         |                   |                                 |
| 28..... | A18-8002.....      | Connector Stud                 |         |                   |                                 |
| 28..... | A16-8002.....      | Connector Stud                 |         |                   |                                 |
| 29..... | A18-23691.....     | Contact Stud                   |         |                   |                                 |
| 30..... | T-104-1.....       | Contact Screw                  |         |                   |                                 |
| 31..... | T-104-1.....       | Contact Screw                  |         |                   |                                 |
| 32..... | A18-8883.....      | Core                           |         |                   |                                 |
| 33..... | T-2-29.....        | Core Spacer                    |         |                   |                                 |
| 34..... | A18-25367A.....    | Frame                          |         |                   |                                 |
| 35..... | A18-25343A.....    | Main Arm Assembly              |         |                   |                                 |
| 36..... | T-66-2.....        | Main Arm Pin                   |         |                   |                                 |
| 37..... | A18-9491-2.....    | Main Arm Bushing, Upper        |         |                   |                                 |
| 38..... | A18-9474-10.....   | Main Arm Bushing, Lower        |         |                   |                                 |
| 39..... | T-40-22.....       | Main Arm Bushing, Lower, Brass |         |                   |                                 |
| 40..... | A18-26290A-M1..... | Moving Contact Support         |         |                   |                                 |
| 41..... | A18-7987A.....     | Mov Contact Support Adj. Screw |         |                   |                                 |
| 41..... | A16-7981A.....     | Adjusting Screw                |         |                   |                                 |
| 42..... | A18-9469.....      | Mov Contact Support Lock Nut   |         |                   |                                 |
| 43..... | A18-24296.....     | Moving Contact Support Pin     |         |                   |                                 |
| 44..... | A18-8890.....      | Stop Stud                      |         |                   |                                 |
| 45..... | A18-9465A.....     | Stationary Control Contact     |         |                   |                                 |
| 46..... | A18-9466A.....     | Stationary Control Contact     |         |                   |                                 |

This document utilizes an interactive table of contents to help you jump from one section to another. Click the button to return to the table of contents.

**RETURN TO  
TABLE OF CONTENTS**

#### 106 TYPE B DC MAGNETIC BRAKES

#### CONTACTORS

- DC MAGNETIC CONTACTOR FORM 100--4RD
- DC MAGNETIC CONTACTOR FORM 150--4RD
- DC MAGNETIC CONTACTOR FORM 300--4RD
- DC MAGNETIC CONTACTOR FORM 400--4RD
- DC MAGNETIC CONTACTOR FORM 600--4RD
- DC MAGNETIC CONTACTOR FORM 900--4RD
- DC MAGNETIC CONTACTOR FORM 100--4RT
- DC MAGNETIC CONTACTOR FORM 150--4RT
- DC MAGNETIC CONTACTOR FORM 300--4RT
- DC MAGNETIC CONTACTOR FORM 400--4RT
- DC MAGNETIC CONTACTOR FORM 100--5RS
- DC MAGNETIC CONTACTOR FORM 150--5RS
- DC MAGNETIC CONTACTOR FORM 300--5RS
- DC MAGNETIC CONTACTOR FORM 400--5RS
- DC MAGNETIC CONTACTOR FORM 600--5RS
- DC MAGNETIC CONTACTOR FORM 100--3L3A
- DC MAGNETIC CONTACTOR FORM 150--3R3A
- DC MAGNETIC CONTACTOR FORM 400--3R3A
- DC MAGNETIC CONTACTOR TYPE KD 100 AMP
- DC MAGNETIC CONTACTOR TYPE KD 150 AMP
- DC MAGNETIC CONTACTOR TYPE KD 300 AMP

#### RELAYS & MASTER SWITCHES

#### INDEX



# O.C.C.

## Replacement Parts For

# CLARK

### DC MAGNETIC CONTACTOR FORM 300-4RD

This document utilizes an interactive table of contents to help you jump from one section to another. Click the button to return to the table of contents.

**RETURN TO  
TABLE OF CONTENTS**

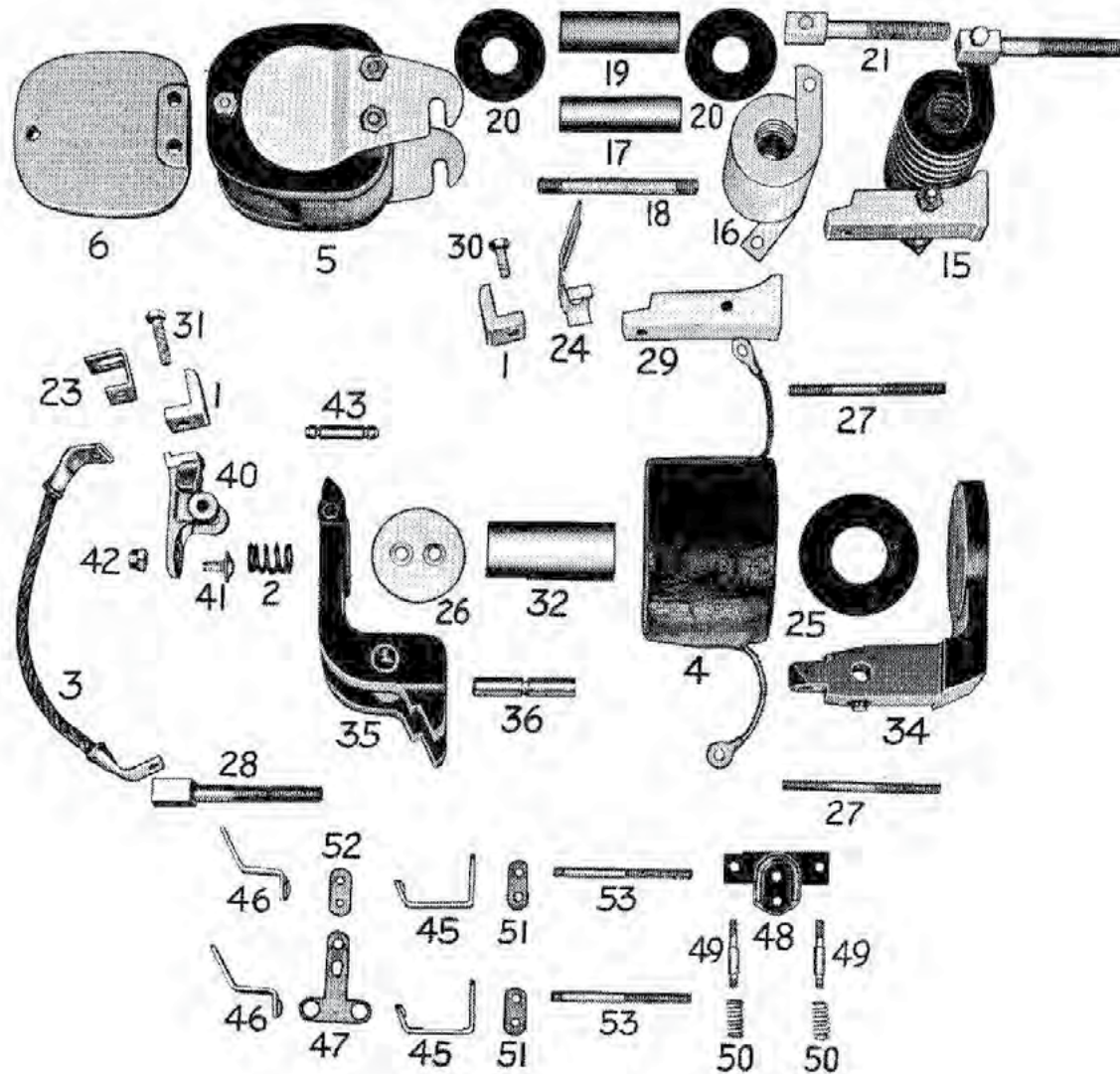
#### 106 TYPE B DC MAGNETIC BRAKES

#### CONTACTORS

- DC MAGNETIC CONTACTOR FORM 100--4RD
- DC MAGNETIC CONTACTOR FORM 150--4RD
- DC MAGNETIC CONTACTOR FORM 300--4RD
- DC MAGNETIC CONTACTOR FORM 400--4RD
- DC MAGNETIC CONTACTOR FORM 600--4RD
- DC MAGNETIC CONTACTOR FORM 900--4RD
- DC MAGNETIC CONTACTOR FORM 100--4RT
- DC MAGNETIC CONTACTOR FORM 150--4RT
- DC MAGNETIC CONTACTOR FORM 300--4RT
- DC MAGNETIC CONTACTOR FORM 400--4RT
- DC MAGNETIC CONTACTOR FORM 100--5RS
- DC MAGNETIC CONTACTOR FORM 150--5RS
- DC MAGNETIC CONTACTOR FORM 300--5RS
- DC MAGNETIC CONTACTOR FORM 400--5RS
- DC MAGNETIC CONTACTOR FORM 600--5RS
- DC MAGNETIC CONTACTOR FORM 100--3L3A
- DC MAGNETIC CONTACTOR FORM 150--3R3A
- DC MAGNETIC CONTACTOR FORM 400--3R3A
- DC MAGNETIC CONTACTOR TYPE KD 100 AMP
- DC MAGNETIC CONTACTOR TYPE KD 150 AMP
- DC MAGNETIC CONTACTOR TYPE KD 300 AMP

#### RELAYS & MASTER SWITCHES

#### INDEX



# O.C.C.

## Replacement Parts For

# CLARK

### DC MAGNETIC CONTACTOR FORM 300-4RD

| ITM     | OEM           | DESCRIPTION                    | ITM     | OEM       | DESCRIPTION                     |
|---------|---------------|--------------------------------|---------|-----------|---------------------------------|
| 01..... | A18-3504      | Contact (Main-Mov. & Sta.)     | 42..... | T-115-32  | Mov Contact Support Lock Nut    |
| 02..... | A18-9383      | Contact Spring-Back Connected  | 43..... | A18-22714 | Moving Contact Support Pin      |
| 03..... | A18-9356A     | Connector                      | 44..... | A18-9378  | Stop Stud                       |
| 04..... | TB-44-1       | Coil, 115V                     | 45..... | A18-9109A | Stationary Control Contact      |
| 04..... | TB-43-1       | Coil, 115V                     | 46..... | A18-9110A | Stationary Control Contact      |
| 04..... | TB-44-2       | Coil, 230V                     | 47..... | A18-9464A | Auxiliary Contact Bar, Moveable |
| 04..... | TB-43-2       | Coil, 230V                     | 48..... | A18-2544  | Aux. Contact Insulator          |
| 04..... | TB-44-3       | Coil, 550V                     | 49..... | A18-9477  | Aux. Contact Stud               |
| 04..... | TB-43-4       | Coil, 550V                     | 50..... | A18-9483  | Spring                          |
| 05..... | A18-21984A    | Arc Shield, Assembly           | 51..... | A18-2543  | Aux. Contact Base Plate         |
| 06..... | A18-21378     | Arc Shield Side Plate          | 52..... | A18-2542  | Aux. Contact Plate              |
| 07..... | T-38-65       | Arc Shield Washer              | 53..... | T-7-36    | Aux. Stud                       |
| 08..... | T-7-116       | Arc Shield Stud                | 53..... | T-7-150   | Aux. Stud                       |
| 09..... | T-120-187     | Arc Shield Stud                |         |           |                                 |
| 10..... | A18-21379     | Arc Barrier, Front             |         |           |                                 |
| 11..... | A18-8159      | Arc Barrier, Rear              |         |           |                                 |
| 11..... | A16-8159      | Arc Barrier, Rear              |         |           |                                 |
| 13..... | A18-5573      | Blowout Ear, R.H.              |         |           |                                 |
| 14..... | A18-5574      | Blowout Ear, L.H.              |         |           |                                 |
| 15..... | A18-23883A    | Blowout Coil, Assembly         |         |           |                                 |
| 15..... | A18-23683A    | Blowout Coil Assembly          |         |           |                                 |
| 16..... | A18-23684     | Blowout Coil                   |         |           |                                 |
| 17..... | T-24-95       | Blowout Core                   |         |           |                                 |
| 18..... | T-7-117       | Blowout Core Stud              |         |           |                                 |
| 19..... | T-39-87       | Blowout Core Insulator         |         |           |                                 |
| 20..... | T-38-37       | Blowout Washer                 |         |           |                                 |
| 21..... | A18-23685     | Blowout Stud                   |         |           |                                 |
| 22..... | A18-23687     | Blowout Spacer                 |         |           |                                 |
| 23..... | A18-3516      | Arc Horn, Front                |         |           |                                 |
| 24..... | A16-6957      | Arc Horn, Rear                 |         |           |                                 |
| 25..... | A18-24397     | Coil Washer                    |         |           |                                 |
| 26..... | A18-8887      | Coil Clamp                     |         |           |                                 |
| 27..... | T-7-47        | Coil Terminal Stud             |         |           |                                 |
| 27..... | T-7-199       | Coil Terminal Stud             |         |           |                                 |
| 28..... | A18-6950      | Connector Stud                 |         |           |                                 |
| 28..... | A16-18115     | Connector Stud                 |         |           |                                 |
| 29..... | A18-23686     | Contact Stud                   |         |           |                                 |
| 30..... | T-104-2       | Contact Screw                  |         |           |                                 |
| 31..... | T-104-2       | Contact Screw                  |         |           |                                 |
| 32..... | A18-9374      | Core                           |         |           |                                 |
| 33..... | T-2-42        | Core Spacer                    |         |           |                                 |
| 34..... | A18-25369A    | Frame                          |         |           |                                 |
| 35..... | A18-25347A    | Main Arm Assembly              |         |           |                                 |
| 36..... | T-66-3        | Main Arm Pin                   |         |           |                                 |
| 37..... | A18-9491-3    | Main Arm Bushing, Upper        |         |           |                                 |
| 38..... | A18-9474-11   | Main Arm Bushing, Lower        |         |           |                                 |
| 38..... | A16-6950      | Connector Stud                 |         |           |                                 |
| 39..... | T-40-23       | Main Arm Bushing, Lower, Brass |         |           |                                 |
| 40..... | A18-26292A    | Main Contact Support-Back Conn |         |           |                                 |
| 40..... | A18-26292A-M1 | Moving Contact Support         |         |           |                                 |
| 41..... | A18-5594A     | Mov Contact Support Adj. Screw |         |           |                                 |

This document utilizes an interactive table of contents to help you jump from one section to another. Click the button to return to the table of contents.

**RETURN TO  
TABLE OF CONTENTS**

#### 106 TYPE B DC MAGNETIC BRAKES

#### CONTACTORS

- DC MAGNETIC CONTACTOR FORM 100--4RD
- DC MAGNETIC CONTACTOR FORM 150--4RD
- DC MAGNETIC CONTACTOR FORM 300--4RD
- DC MAGNETIC CONTACTOR FORM 400--4RD
- DC MAGNETIC CONTACTOR FORM 600--4RD
- DC MAGNETIC CONTACTOR FORM 900--4RD
- DC MAGNETIC CONTACTOR FORM 100--4RT
- DC MAGNETIC CONTACTOR FORM 150--4RT
- DC MAGNETIC CONTACTOR FORM 300--4RT
- DC MAGNETIC CONTACTOR FORM 400--4RT
- DC MAGNETIC CONTACTOR FORM 100--5RS
- DC MAGNETIC CONTACTOR FORM 150--5RS
- DC MAGNETIC CONTACTOR FORM 300--5RS
- DC MAGNETIC CONTACTOR FORM 400--5RS
- DC MAGNETIC CONTACTOR FORM 600--5RS
- DC MAGNETIC CONTACTOR FORM 100--3L3A
- DC MAGNETIC CONTACTOR FORM 150--3R3A
- DC MAGNETIC CONTACTOR FORM 400--3R3A
- DC MAGNETIC CONTACTOR TYPE KD 100 AMP
- DC MAGNETIC CONTACTOR TYPE KD 150 AMP
- DC MAGNETIC CONTACTOR TYPE KD 300 AMP

#### RELAYS & MASTER SWITCHES

#### INDEX

# O.C.C.

## Replacement Parts For

# CLARK

### DC MAGNETIC CONTACTOR FORM 400-4RD

This document utilizes an interactive table of contents to help you jump from one section to another. Click the button to return to the table of contents.

**RETURN TO  
TABLE OF CONTENTS**

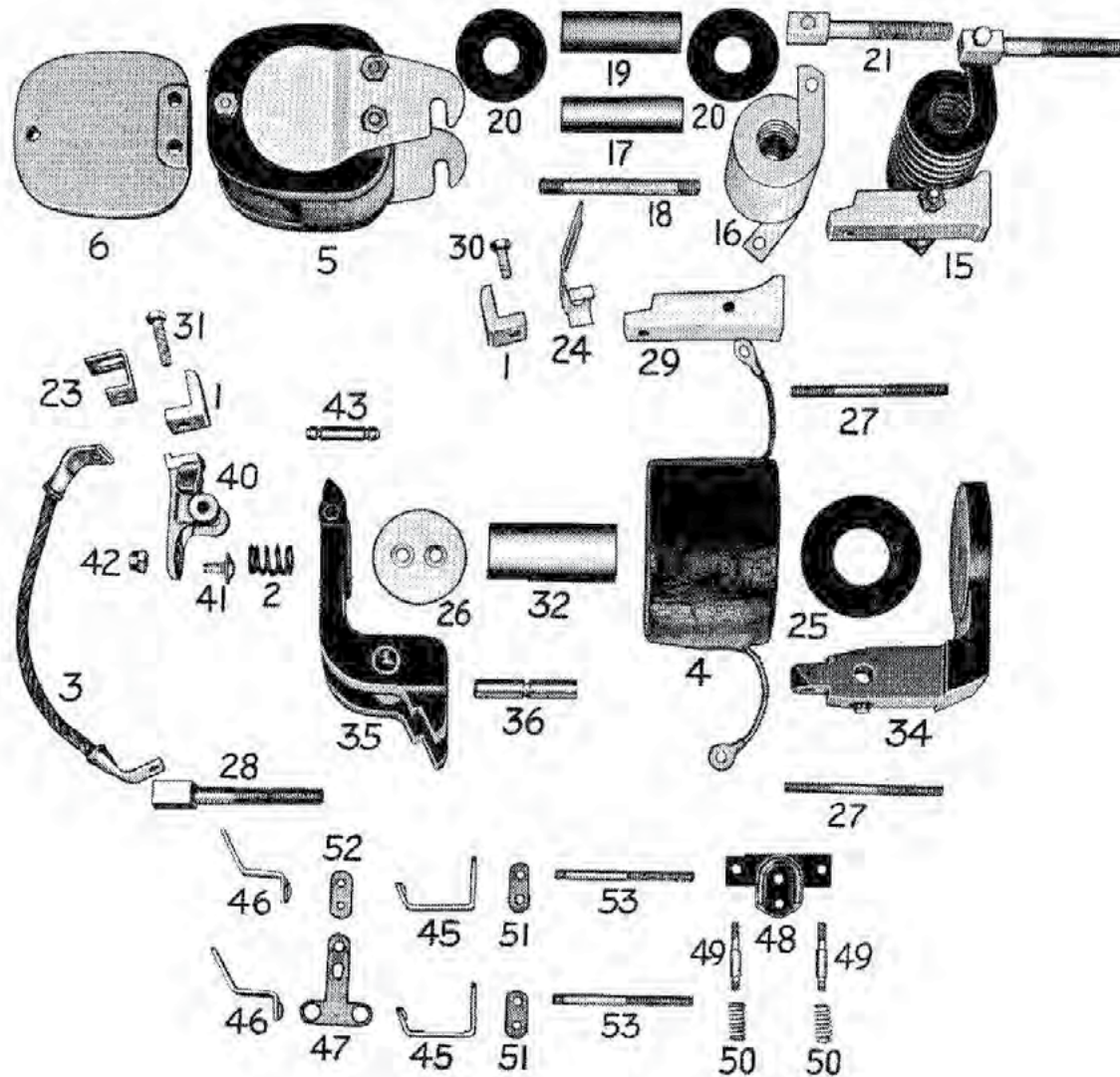
#### 106 TYPE B DC MAGNETIC BRAKES

#### CONTACTORS

- DC MAGNETIC CONTACTOR FORM 100--4RD
- DC MAGNETIC CONTACTOR FORM 150--4RD
- DC MAGNETIC CONTACTOR FORM 300--4RD
- DC MAGNETIC CONTACTOR FORM 400--4RD
- DC MAGNETIC CONTACTOR FORM 600--4RD
- DC MAGNETIC CONTACTOR FORM 900--4RD
- DC MAGNETIC CONTACTOR FORM 100--4RT
- DC MAGNETIC CONTACTOR FORM 150--4RT
- DC MAGNETIC CONTACTOR FORM 300--4RT
- DC MAGNETIC CONTACTOR FORM 400--4RT
- DC MAGNETIC CONTACTOR FORM 100--5RS
- DC MAGNETIC CONTACTOR FORM 150--5RS
- DC MAGNETIC CONTACTOR FORM 300--5RS
- DC MAGNETIC CONTACTOR FORM 400--5RS
- DC MAGNETIC CONTACTOR FORM 600--5RS
- DC MAGNETIC CONTACTOR FORM 100--3L3A
- DC MAGNETIC CONTACTOR FORM 150--3R3A
- DC MAGNETIC CONTACTOR FORM 400--3R3A
- DC MAGNETIC CONTACTOR TYPE KD 100 AMP
- DC MAGNETIC CONTACTOR TYPE KD 150 AMP
- DC MAGNETIC CONTACTOR TYPE KD 300 AMP

#### RELAYS & MASTER SWITCHES

#### INDEX





# O.C.C.

# Replacement Parts For

# CLARK

## DC MAGNETIC CONTACTOR FORM 400-4RD

| ITM     | OEM         | DESCRIPTION                     | ITM     | OEM      | DESCRIPTION             |
|---------|-------------|---------------------------------|---------|----------|-------------------------|
| 01..... | A18-5581    | Contact                         | 49..... | A18-9477 | Aux. Contact Stud       |
| 02..... | A18-5597    | Contact Spring-Back Connected   | 50..... | A18-9483 | Spring                  |
| 03..... | A18-5558A   | Connector                       | 51..... | A18-2543 | Aux. Contact Base Plate |
| 04..... | TB-31-1     | Coil, 115V                      | 52..... | A18-2542 | Aux. Contact Plate      |
| 04..... | TB-30-1     | Coil                            | 53..... | T-7-47   | Coil Terminal Stud      |
| 04..... | TB-31-2     | Coil, 230V                      | 53..... | T-7-36   | Aux. Stud               |
| 04..... | TB-30-2     | Coil, 230V                      | 53..... | T-7-150  | Aux. Stud               |
| 04..... | TB-31-3     | Coil, 550V                      | *       | A18-5579 | Core                    |
| 04..... | TB-30-3     | Coil, 550V                      |         |          |                         |
| 05..... | A18-22028A  | Arc Shield, Assembly            |         |          |                         |
| 06..... | A18-21378   | Arc Shield Side Plate           |         |          |                         |
| 07..... | T-38-65     | Arc Shield Washer               |         |          |                         |
| 08..... | T-7-99      | Arc Shield Stud                 |         |          |                         |
| 09..... | T-120-188   | Arc Shield Stud                 |         |          |                         |
| 10..... | A18-22004   | Arc Barrier, Front              |         |          |                         |
| 11..... | A18-5571    | Arc Barrier, Rear               |         |          |                         |
| 13..... | A18-5573    | Blowout Ear, R.H.               |         |          |                         |
| 14..... | A18-5574    | Blowout Ear, L.H.               |         |          |                         |
| 15..... | A18-23693A  | Blowout Coil, Assembly          |         |          |                         |
| 16..... | A18-23694   | Blowout Coil                    |         |          |                         |
| 17..... | T-24-170    | Blowout Core                    |         |          |                         |
| 18..... | T-7-101     | Blowout Core Stud               |         |          |                         |
| 19..... | T-39-146    | Blowout Core Insulator          |         |          |                         |
| 20..... | T-38-56     | Blowout Washer                  |         |          |                         |
| 21..... | A18-23695   | Blowout Stud                    |         |          |                         |
| 22..... | A18-23697   | Blowout Spacer                  |         |          |                         |
| 23..... | A18-5583    | Arc Horn, Front                 |         |          |                         |
| 24..... | A18-152938  | Arc Horn, Rear                  |         |          |                         |
| 25..... | A18-22649   | Coil Washer                     |         |          |                         |
| 26..... | A18-5587    | Coil Clamp                      |         |          |                         |
| 27..... | T-7-199     | Coil Terminal Stud              |         |          |                         |
| 28..... | A18-5593    | Connector Stud                  |         |          |                         |
| 28..... | A18-24376   | Connector Stud                  |         |          |                         |
| 29..... | A18-23696   | Contact Stud                    |         |          |                         |
| 30..... | T-104-3     | Contact Screw                   |         |          |                         |
| 31..... | T-104-4     | Contact Screw                   |         |          |                         |
| 33..... | T-2-47      | Core Spacer                     |         |          |                         |
| 34..... | A18-25488A  | Frame                           |         |          |                         |
| 35..... | A18-25351A  | Main Arm Assembly               |         |          |                         |
| 36..... | T-66-4      | Main Arm Pin                    |         |          |                         |
| 37..... | A18-9474-6  | Main Arm Bushing, Upper         |         |          |                         |
| 38..... | A18-9474-12 | Main Arm Bushing, Lower         |         |          |                         |
| 39..... | T-40-24     | Main Arm Bushing, Lower, Brass  |         |          |                         |
| 40..... | A18-26294A  | Main Contact Support-Back Conn  |         |          |                         |
| 41..... | A18-5594A   | Mov Contact Support Adj. Screw  |         |          |                         |
| 42..... | T-115-32    | Mov Contact Support Lock Nut    |         |          |                         |
| 43..... | A18-24297   | Moving Contact Support Pin      |         |          |                         |
| 44..... | A18-3518    | Stop Stud                       |         |          |                         |
| 45..... | A18-13823A  | Contact                         |         |          |                         |
| 46..... | A18-13824A  | Aux. Contact                    |         |          |                         |
| 47..... | A18-9464A   | Auxiliary Contact Bar, Moveable |         |          |                         |
| 48..... | A18-5586    | Aux. Contact Insulator          |         |          |                         |

This document utilizes an interactive table of contents to help you jump from one section to another. Click the button to return to the table of contents.

**RETURN TO  
TABLE OF CONTENTS**

### 106 TYPE B DC MAGNETIC BRAKES

#### CONTACTORS

- DC MAGNETIC CONTACTOR FORM 100--4RD
- DC MAGNETIC CONTACTOR FORM 150--4RD
- DC MAGNETIC CONTACTOR FORM 300--4RD
- DC MAGNETIC CONTACTOR FORM 400--4RD
- DC MAGNETIC CONTACTOR FORM 600--4RD
- DC MAGNETIC CONTACTOR FORM 900--4RD
- DC MAGNETIC CONTACTOR FORM 100--4RT
- DC MAGNETIC CONTACTOR FORM 150--4RT
- DC MAGNETIC CONTACTOR FORM 300--4RT
- DC MAGNETIC CONTACTOR FORM 400--4RT
- DC MAGNETIC CONTACTOR FORM 100--5RS
- DC MAGNETIC CONTACTOR FORM 150--5RS
- DC MAGNETIC CONTACTOR FORM 300--5RS
- DC MAGNETIC CONTACTOR FORM 400--5RS
- DC MAGNETIC CONTACTOR FORM 600--5RS
- DC MAGNETIC CONTACTOR FORM 100--3L3A
- DC MAGNETIC CONTACTOR FORM 150--3R3A
- DC MAGNETIC CONTACTOR FORM 400--3R3A
- DC MAGNETIC CONTACTOR TYPE KD 100 AMP
- DC MAGNETIC CONTACTOR TYPE KD 150 AMP
- DC MAGNETIC CONTACTOR TYPE KD 300 AMP

#### RELAYS & MASTER SWITCHES

#### INDEX

O.C.C.

Replacement Parts For

CLARK

DC MAGNETIC CONTACTOR FORM 600-4RD

This document utilizes an interactive table of contents to help you jump from one section to another. Click the button to return to the table of contents.

**RETURN TO  
TABLE OF CONTENTS**

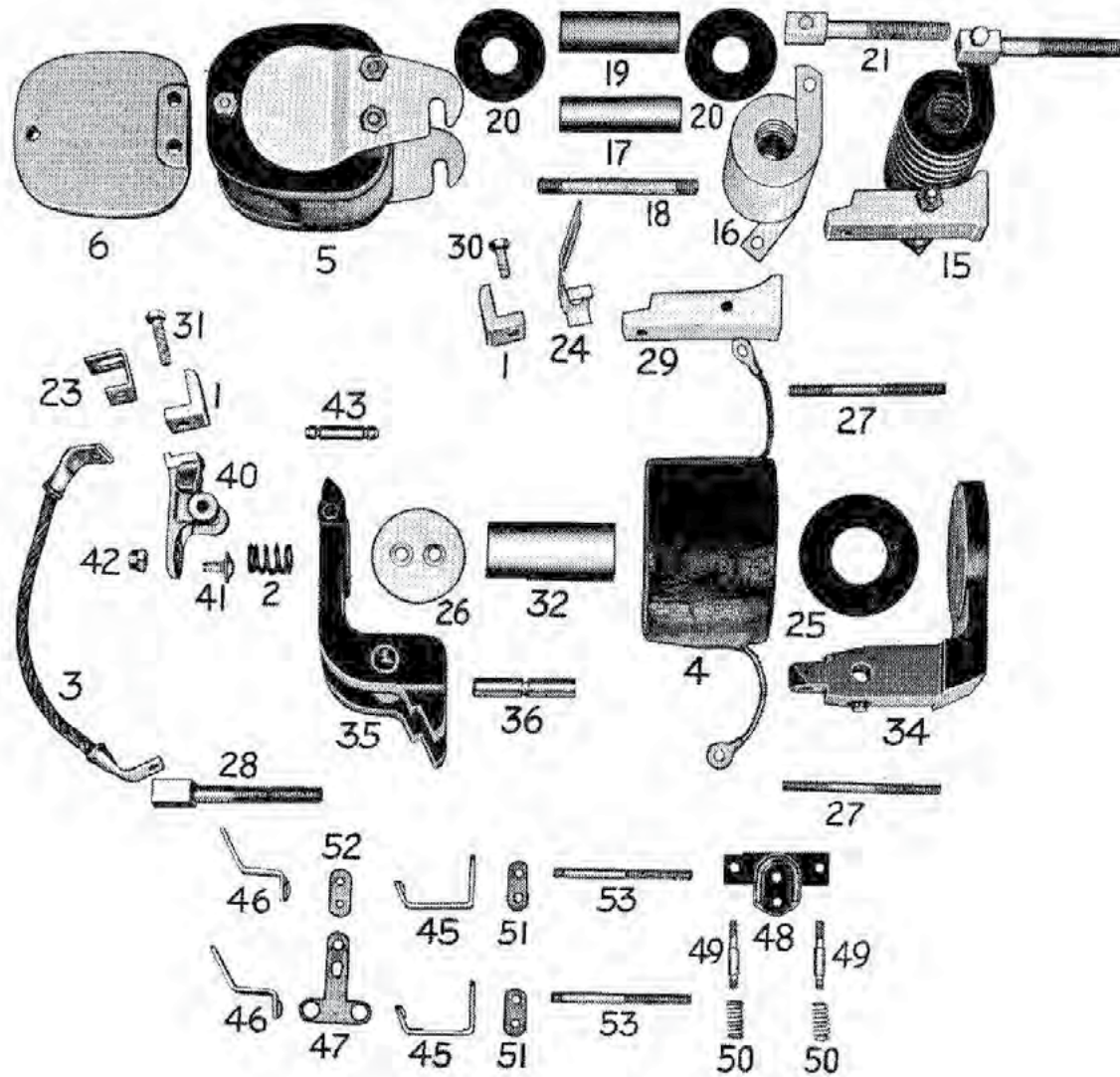
*106 TYPE B DC MAGNETIC BRAKES*

*CONTACTORS*

- DC MAGNETIC CONTACTOR FORM 100--4RD
- DC MAGNETIC CONTACTOR FORM 150--4RD
- DC MAGNETIC CONTACTOR FORM 300--4RD
- DC MAGNETIC CONTACTOR FORM 400--4RD
- DC MAGNETIC CONTACTOR FORM 600--4RD
- DC MAGNETIC CONTACTOR FORM 900--4RD
- DC MAGNETIC CONTACTOR FORM 100--4RT
- DC MAGNETIC CONTACTOR FORM 150--4RT
- DC MAGNETIC CONTACTOR FORM 300--4RT
- DC MAGNETIC CONTACTOR FORM 400--4RT
- DC MAGNETIC CONTACTOR FORM 100--5RS
- DC MAGNETIC CONTACTOR FORM 150--5RS
- DC MAGNETIC CONTACTOR FORM 300--5RS
- DC MAGNETIC CONTACTOR FORM 400--5RS
- DC MAGNETIC CONTACTOR FORM 600--5RS
- DC MAGNETIC CONTACTOR FORM 100--3L3A
- DC MAGNETIC CONTACTOR FORM 150--3R3A
- DC MAGNETIC CONTACTOR FORM 400--3R3A
- DC MAGNETIC CONTACTOR TYPE KD 100 AMP
- DC MAGNETIC CONTACTOR TYPE KD 150 AMP
- DC MAGNETIC CONTACTOR TYPE KD 300 AMP

*RELAYS & MASTER SWITCHES*

*INDEX*



# O.C.C.

## Replacement Parts For

# CLARK

### DC MAGNETIC CONTACTOR FORM 600-4RD

| ITM      | OEM          | DESCRIPTION                     | ITM      | OEM         | DESCRIPTION                     |
|----------|--------------|---------------------------------|----------|-------------|---------------------------------|
| 01.....  | A18-9091     | Contact                         | 40.....  | A18-26296A  | Main Contact Support-Back Conn  |
| 02.....  | A18-9103     | Contact Spring-Back Connected   | 40A..... | A74-144438A | Mov Contact Support-Front Conn  |
| 02A..... | T-45-264     | Contact Spring-Front Connected  | 41.....  | A18-9076A   | Mov Contact Support Adj. Screw  |
| 03.....  | A18-9060A    | Shunt                           | 42.....  | T-115-36    | Mov Contact Support Lock Nut    |
| 04.....  | TB-58-1      | Coil, 115V                      | 43.....  | A18-24378   | Moving Contact Support Pin      |
| 04.....  | TB-57-1      | Coil, 115V                      | 44.....  | A18-9106    | Stop Stud                       |
| 04.....  | TB-58-2      | Coil, 230V                      | 45.....  | A18-9109A   | Stationary Control Contact      |
| 04.....  | TB-57-2      | Coil, 230V                      | 46.....  | A18-9110A   | Stationary Control Contact      |
| 04.....  | TB-157-4     | Coil, 45 Volt                   | 47.....  | A18-9464A   | Auxiliary Contact Bar, Moveable |
| 04.....  | TB-157-5     | Coil, 60 Volt                   | 48.....  | A18-5586    | Aux. Contact Insulator          |
| 04.....  | TB-157-6     | Coil, 30 Volt                   | 49.....  | A18-9477    | Aux. Contact Stud               |
| 04.....  | TB-157-7     | Coil, 18 Volt                   | 50.....  | A18-9483    | Spring                          |
| 04.....  | TB-157-9     | Coil, 12 Volt                   | 51.....  | A18-2543    | Aux. Contact Base Plate         |
| 04.....  | TB-157-10    | Coil, 24 Volt                   | 52.....  | A18-2542    | Aux. Contact Plate              |
| 04.....  | TB-157-11    | Coil, 88 Volt                   | 53.....  | T-7-47      | Coil Terminal Stud              |
| 04.....  | TB-157-12    | Coil, 176 Volt                  | 53.....  | T-7-36      | Aux. Stud                       |
| 04.....  | TB-157-13    | Coil, 550 Volt                  | 53.....  | T-7-150     | Aux. Stud                       |
| 05.....  | A18-22029A   | Arc Shield, Assembly            |          |             |                                 |
| 06.....  | A18-21380    | Arc Shield Side Plate           |          |             |                                 |
| 06.....  | A18-21380-LH | Arc Shield Left Hand Side Plate |          |             |                                 |
| 07.....  | T-38-66      | Arc Shield Washer               |          |             |                                 |
| 08.....  | T-7-148      | Arc Shield Stud                 |          |             |                                 |
| 09.....  | T-7-149      | Arc Shield Stud                 |          |             |                                 |
| 10.....  | A18-21381    | Arc Barrier, Front              |          |             |                                 |
| 11.....  | A18-9096     | Arc Barrier, Rear               |          |             |                                 |
| 13.....  | A18-9102     | Blowout Ear, R.H.               |          |             |                                 |
| 14.....  | A18-9101     | Blowout Ear, L.H.               |          |             |                                 |
| 15.....  | A18-9121A    | Blowout Coil, Assembly          |          |             |                                 |
| 15A..... | A74-257318A  | Blowout Coil, Assembly          |          |             |                                 |
| 16.....  | A18-9090     | Blowout Coil                    |          |             |                                 |
| 17.....  | A18-9079     | Blowout Core                    |          |             |                                 |
| 19.....  | T-39-92      | Blowout Core Insulator          |          |             |                                 |
| 20.....  | T-38-42      | Blowout Washer                  |          |             |                                 |
| 21.....  | A18-9093     | Blowout Stud                    |          |             |                                 |
| 23.....  | A18-9099     | Arc Horn, Front                 |          |             |                                 |
| 24.....  | A18-9098     | Arc Horn, Rear                  |          |             |                                 |
| 25.....  | A18-22649    | Coil Washer                     |          |             |                                 |
| 26.....  | A18-13627A   | Coil Clamp                      |          |             |                                 |
| 27.....  | T-7-47       | Coil Terminal Stud              |          |             |                                 |
| 27.....  | T-7-199      | Coil Terminal Stud              |          |             |                                 |
| 28.....  | A18-9092     | Connector Stud                  |          |             |                                 |
| 29.....  | A18-9085     | Contact Stud                    |          |             |                                 |
| 30.....  | T-104-5      | Contact Screw                   |          |             |                                 |
| 31.....  | T-104-6      | Contact Screw                   |          |             |                                 |
| 32.....  | A18-11842    | Core                            |          |             |                                 |
| 34.....  | A18-25492A   | Frame                           |          |             |                                 |
| 35.....  | A18-25355A   | Main Arm Assembly               |          |             |                                 |
| 35.....  | A74-419615A  | Main Arm Assembly               |          |             |                                 |
| 36.....  | T-66-5       | Main Arm Pin                    |          |             |                                 |
| 37.....  | A18-9491-4   | Main Arm Bushing, Upper         |          |             |                                 |
| 38.....  | A18-9474-13  | Main Arm Bushing, Lower         |          |             |                                 |
| 39.....  | T-40-25      | Main Arm Bushing, Lower, Brass  |          |             |                                 |

This document utilizes an interactive table of contents to help you jump from one section to another. Click the button to return to the table of contents.

**RETURN TO  
TABLE OF CONTENTS**

#### 106 TYPE B DC MAGNETIC BRAKES

#### CONTACTORS

- DC MAGNETIC CONTACTOR FORM 100--4RD
- DC MAGNETIC CONTACTOR FORM 150--4RD
- DC MAGNETIC CONTACTOR FORM 300--4RD
- DC MAGNETIC CONTACTOR FORM 400--4RD
- DC MAGNETIC CONTACTOR FORM 600--4RD
- DC MAGNETIC CONTACTOR FORM 900--4RD
- DC MAGNETIC CONTACTOR FORM 100--4RT
- DC MAGNETIC CONTACTOR FORM 150--4RT
- DC MAGNETIC CONTACTOR FORM 300--4RT
- DC MAGNETIC CONTACTOR FORM 400--4RT
- DC MAGNETIC CONTACTOR FORM 100--5RS
- DC MAGNETIC CONTACTOR FORM 150--5RS
- DC MAGNETIC CONTACTOR FORM 300--5RS
- DC MAGNETIC CONTACTOR FORM 400--5RS
- DC MAGNETIC CONTACTOR FORM 600--5RS
- DC MAGNETIC CONTACTOR FORM 100--3L3A
- DC MAGNETIC CONTACTOR FORM 150--3R3A
- DC MAGNETIC CONTACTOR FORM 400--3R3A
- DC MAGNETIC CONTACTOR TYPE KD 100 AMP
- DC MAGNETIC CONTACTOR TYPE KD 150 AMP
- DC MAGNETIC CONTACTOR TYPE KD 300 AMP

#### RELAYS & MASTER SWITCHES

#### INDEX



O.C.C.

Replacement Parts For

CLARK

DC MAGNETIC CONTACTOR FORM 900-4RD

This document utilizes an interactive table of contents to help you jump from one section to another. Click the button to return to the table of contents.

**RETURN TO  
TABLE OF CONTENTS**

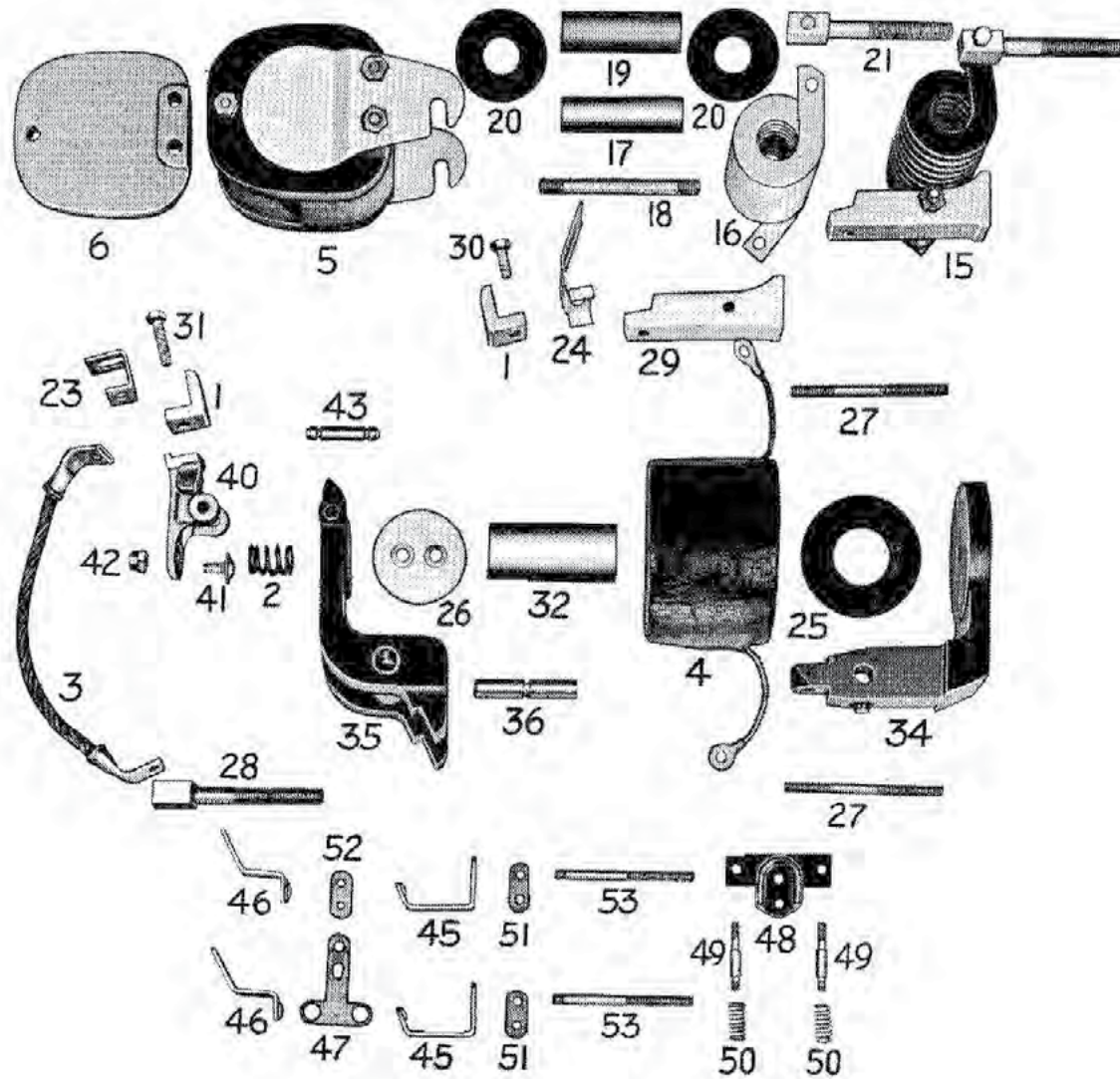
*106 TYPE B DC MAGNETIC BRAKES*

*CONTACTORS*

- DC MAGNETIC CONTACTOR FORM 100--4RD
- DC MAGNETIC CONTACTOR FORM 150--4RD
- DC MAGNETIC CONTACTOR FORM 300--4RD
- DC MAGNETIC CONTACTOR FORM 400--4RD
- DC MAGNETIC CONTACTOR FORM 600--4RD
- DC MAGNETIC CONTACTOR FORM 900--4RD
- DC MAGNETIC CONTACTOR FORM 100--4RT
- DC MAGNETIC CONTACTOR FORM 150--4RT
- DC MAGNETIC CONTACTOR FORM 300--4RT
- DC MAGNETIC CONTACTOR FORM 400--4RT
- DC MAGNETIC CONTACTOR FORM 100--5RS
- DC MAGNETIC CONTACTOR FORM 150--5RS
- DC MAGNETIC CONTACTOR FORM 300--5RS
- DC MAGNETIC CONTACTOR FORM 400--5RS
- DC MAGNETIC CONTACTOR FORM 600--5RS
- DC MAGNETIC CONTACTOR FORM 100--3L3A
- DC MAGNETIC CONTACTOR FORM 150--3R3A
- DC MAGNETIC CONTACTOR FORM 400--3R3A
- DC MAGNETIC CONTACTOR TYPE KD 100 AMP
- DC MAGNETIC CONTACTOR TYPE KD 150 AMP
- DC MAGNETIC CONTACTOR TYPE KD 300 AMP

*RELAYS & MASTER SWITCHES*

*INDEX*



# O.C.C.

## Replacement Parts For

# CLARK

### DC MAGNETIC CONTACTOR FORM 900-4RD

| ITM      | OEM              | DESCRIPTION                    | ITM     | OEM            | DESCRIPTION                     |
|----------|------------------|--------------------------------|---------|----------------|---------------------------------|
| 01.....  | A16-11544.....   | Contact                        | 41..... | A18-9076A..... | Mov Contact Support Adj. Screw  |
| 02.....  | A18-9103.....    | Contact Spring-Back Connected  | 42..... | T-115-36.....  | Mov Contact Support Lock Nut    |
| 03.....  | A18-11187A.....  | Connector                      | 43..... | A18-24378..... | Moving Contact Support Pin      |
| 04.....  | TB-58-1.....     | Coil, 115V                     | 44..... | A18-9106.....  | Stop Stud                       |
| 04.....  | TB-57-1.....     | Coil, 115V                     | 45..... | A18-9109A..... | Stationary Control Contact      |
| 04.....  | TB-58-2.....     | Coil, 230V                     | 46..... | A18-9110A..... | Stationary Control Contact      |
| 04.....  | TB-57-2.....     | Coil, 230V                     | 47..... | A18-9464A..... | Auxiliary Contact Bar, Moveable |
| 04.....  | TB-157-4.....    | Coil, 45 Volt                  | 48..... | A18-5586.....  | Aux. Contact Insulator          |
| 04.....  | TB-157-5.....    | Coil, 60 Volt                  | 49..... | A18-9477.....  | Aux. Contact Stud               |
| 04.....  | TB-157-6.....    | Coil, 30 Volt                  | 50..... | A18-9483.....  | Spring                          |
| 04.....  | TB-157-7.....    | Coil, 18 Volt                  | 51..... | A18-2543.....  | Aux. Contact Base Plate         |
| 04.....  | TB-157-9.....    | Coil, 12 Volt                  | 53..... | T-7-47.....    | Coil Terminal Stud              |
| 04.....  | TB-157-10.....   | Coil, 24 Volt                  | 53..... | A18-2542.....  | Aux. Contact Plate              |
| 04.....  | TB-157-11.....   | Coil, 88 Volt                  | 53..... | T-7-36.....    | Aux. Stud                       |
| 04.....  | TB-157-12.....   | Coil, 176 Volt                 | 53..... | T-7-150.....   | Aux. Stud                       |
| 04.....  | TB-157-13.....   | Coil, 550 Volt                 | 58..... | T-7-199.....   | Coil Terminal Stud              |
| 05.....  | A18-22030A.....  | Arc Shield Assembly, 900 AMP   |         |                |                                 |
| 06.....  | A18-21380.....   | Arc Shield Side Plate          |         |                |                                 |
| 07.....  | T-38-66.....     | Arc Shield Washer              |         |                |                                 |
| 08.....  | T-7-161.....     | Arc Shield Stud                |         |                |                                 |
| 09.....  | T-7-162.....     | Arc Shield Stud                |         |                |                                 |
| 10.....  | A18-22005.....   | Arc Barrier, Front             |         |                |                                 |
| 11.....  | A16-11537.....   | Arc Barrier, Rear              |         |                |                                 |
| 13.....  | A16-11229.....   | Blowout Ear, R.H.              |         |                |                                 |
| 14.....  | A16-11228.....   | Blowout Ear, L.H.              |         |                |                                 |
| 15.....  | A18-18205A.....  | Blowout Coil, Assembly         |         |                |                                 |
| 15A..... | A74-257334A..... | Blowout Coil, Assembly         |         |                |                                 |
| 16.....  | A18-18206.....   | Blowout Coil                   |         |                |                                 |
| 17.....  | A18-11841.....   | Blowout Core                   |         |                |                                 |
| 19.....  | T-39-98.....     | Blowout Core Insulator         |         |                |                                 |
| 20.....  | T-38-42.....     | Blowout Washer                 |         |                |                                 |
| 21.....  | A18-11186.....   | Blowout Stud                   |         |                |                                 |
| 23.....  | A18-9099.....    | Arc Horn, Front                |         |                |                                 |
| 24.....  | A18-9098.....    | Arc Horn, Rear                 |         |                |                                 |
| 25.....  | A18-22649.....   | Coil Washer                    |         |                |                                 |
| 26.....  | A18-13527A.....  | Coil Clamp                     |         |                |                                 |
| 27.....  | T-7-47.....      | Coil Terminal Stud             |         |                |                                 |
| 28.....  | A18-11185.....   | Connector Stud                 |         |                |                                 |
| 29.....  | A18-11500.....   | Contact Stud                   |         |                |                                 |
| 30.....  | T-104-5.....     | Contact Screw                  |         |                |                                 |
| 31.....  | T-104-7.....     | Contact Screw                  |         |                |                                 |
| 32.....  | A18-11842.....   | Core                           |         |                |                                 |
| 34.....  | A18-25492A.....  | Frame                          |         |                |                                 |
| 35.....  | A18-25355A.....  | Main Arm Assembly              |         |                |                                 |
| 35.....  | A74-419615A..... | Main Arm Assembly              |         |                |                                 |
| 36.....  | T-66-5.....      | Main Arm Pin                   |         |                |                                 |
| 37.....  | A18-9491-4.....  | Main Arm Bushing, Upper        |         |                |                                 |
| 38.....  | A18-9474-13..... | Main Arm Bushing, Lower        |         |                |                                 |
| 39.....  | T-40-25.....     | Main Arm Bushing, Lower, Brass |         |                |                                 |
| 40.....  | A18-26296A.....  | Main Contact Support-Back Conn |         |                |                                 |
| 40A..... | A74-144438A..... | Mov Contact Support-Front Conn |         |                |                                 |

This document utilizes an interactive table of contents to help you jump from one section to another. Click the button to return to the table of contents.

**RETURN TO  
TABLE OF CONTENTS**

#### 106 TYPE B DC MAGNETIC BRAKES

#### CONTACTORS

- DC MAGNETIC CONTACTOR FORM 100--4RD
- DC MAGNETIC CONTACTOR FORM 150--4RD
- DC MAGNETIC CONTACTOR FORM 300--4RD
- DC MAGNETIC CONTACTOR FORM 400--4RD
- DC MAGNETIC CONTACTOR FORM 600--4RD
- DC MAGNETIC CONTACTOR FORM 900--4RD
- DC MAGNETIC CONTACTOR FORM 100--4RT
- DC MAGNETIC CONTACTOR FORM 150--4RT
- DC MAGNETIC CONTACTOR FORM 300--4RT
- DC MAGNETIC CONTACTOR FORM 400--4RT
- DC MAGNETIC CONTACTOR FORM 100--5RS
- DC MAGNETIC CONTACTOR FORM 150--5RS
- DC MAGNETIC CONTACTOR FORM 300--5RS
- DC MAGNETIC CONTACTOR FORM 400--5RS
- DC MAGNETIC CONTACTOR FORM 600--5RS
- DC MAGNETIC CONTACTOR FORM 100--3L3A
- DC MAGNETIC CONTACTOR FORM 150--3R3A
- DC MAGNETIC CONTACTOR FORM 400--3R3A
- DC MAGNETIC CONTACTOR TYPE KD 100 AMP
- DC MAGNETIC CONTACTOR TYPE KD 150 AMP
- DC MAGNETIC CONTACTOR TYPE KD 300 AMP

#### RELAYS & MASTER SWITCHES

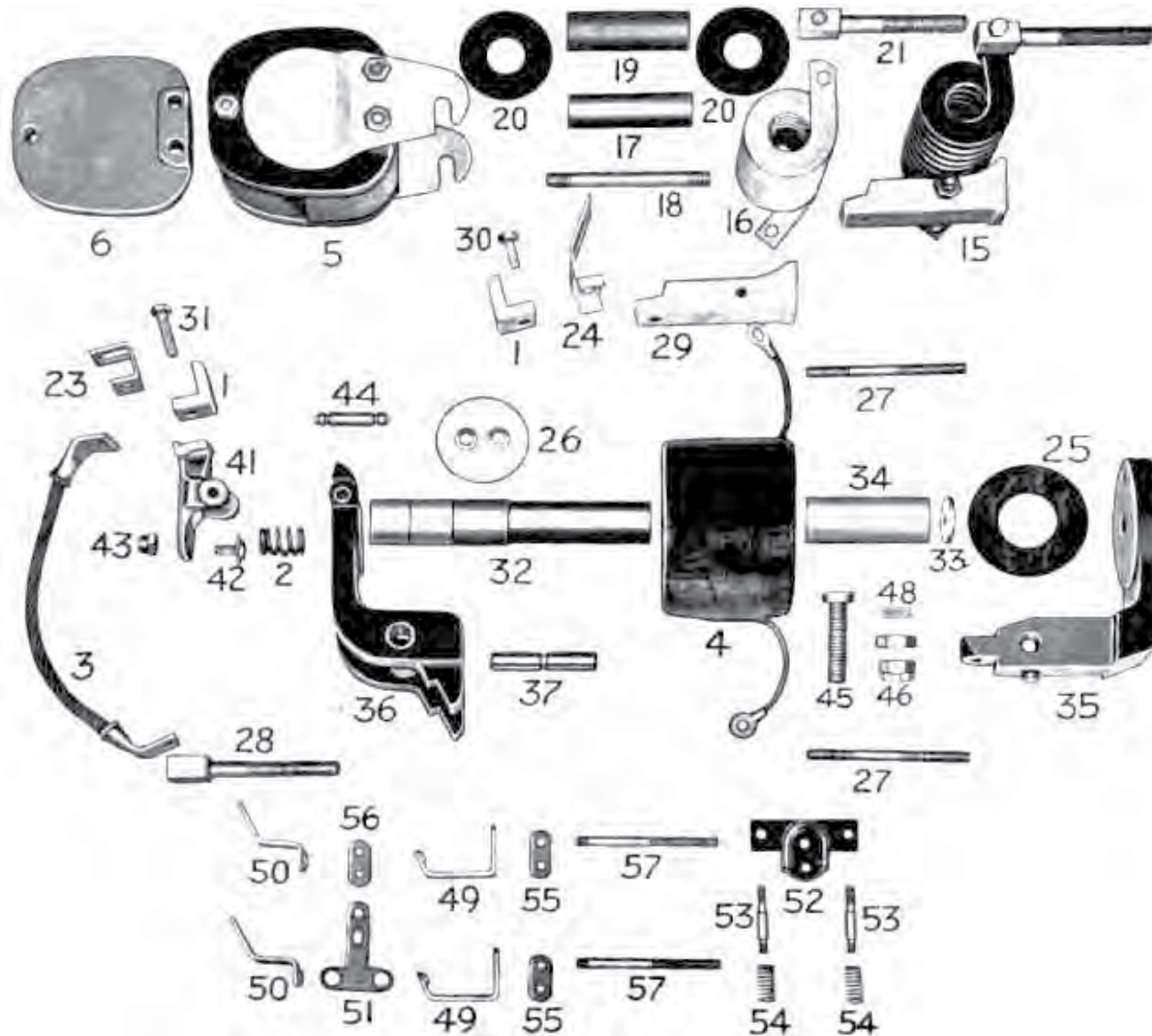
#### INDEX

O.C.C.

Replacement Parts For

CLARK

DC MAGNETIC CONTACTOR FORM 100-4RT



This document utilizes an interactive table of contents to help you jump from one section to another. Click the button to return to the table of contents.

**RETURN TO  
TABLE OF CONTENTS**

*106 TYPE B DC MAGNETIC BRAKES*

*CONTACTORS*

- DC MAGNETIC CONTACTOR FORM 100--4RD
- DC MAGNETIC CONTACTOR FORM 150--4RD
- DC MAGNETIC CONTACTOR FORM 300--4RD
- DC MAGNETIC CONTACTOR FORM 400--4RD
- DC MAGNETIC CONTACTOR FORM 600--4RD
- DC MAGNETIC CONTACTOR FORM 900--4RD
- DC MAGNETIC CONTACTOR FORM 100--4RT
- DC MAGNETIC CONTACTOR FORM 150--4RT
- DC MAGNETIC CONTACTOR FORM 300--4RT
- DC MAGNETIC CONTACTOR FORM 400--4RT
- DC MAGNETIC CONTACTOR FORM 100--5RS
- DC MAGNETIC CONTACTOR FORM 150--5RS
- DC MAGNETIC CONTACTOR FORM 300--5RS
- DC MAGNETIC CONTACTOR FORM 400--5RS
- DC MAGNETIC CONTACTOR FORM 600--5RS
- DC MAGNETIC CONTACTOR FORM 100--3L3A
- DC MAGNETIC CONTACTOR FORM 150--3R3A
- DC MAGNETIC CONTACTOR FORM 400--3R3A
- DC MAGNETIC CONTACTOR TYPE KD 100 AMP
- DC MAGNETIC CONTACTOR TYPE KD 150 AMP
- DC MAGNETIC CONTACTOR TYPE KD 300 AMP

*RELAYS & MASTER SWITCHES*

*INDEX*



# O.C.C.

## Replacement Parts For

# CLARK

### DC MAGNETIC CONTACTOR FORM 100-4RT

| ITM     | OEM        | DESCRIPTION                     | ITM     | OEM      | DESCRIPTION             |
|---------|------------|---------------------------------|---------|----------|-------------------------|
| 01..... | A16-1936   | Contact (Main-Mov. & Sta.)      | 55..... | A18-2543 | Aux. Contact Base Plate |
| 02..... | A18-2518   | Contact Spring-Back Connected   | 56..... | A18-2542 | Aux. Contact Plate      |
| 03..... | A18-2510A  | Connector                       | 57..... | T-7-36   | Aux. Stud               |
| 05..... | A18-22027A | Arc Shield, Assembly            | 57..... | T-7-150  | Aux. Stud               |
| 06..... | A18-21305  | Arc Shield Side Plate           |         |          |                         |
| 07..... | T-38-65    | Arc Shield Washer               |         |          |                         |
| 08..... | T-120-99   | Arc Shield Stud                 |         |          |                         |
| 09..... | T-120-96   | Arc Shield Stud                 |         |          |                         |
| 10..... | A18-21324  | Arc Barrier, Front              |         |          |                         |
| 11..... | A16-8124   | Arc Barrier, Rear               |         |          |                         |
| 13..... | A18-2528   | Blowout Ear, R.H.               |         |          |                         |
| 14..... | A18-2529   | Blowout Ear, L.H.               |         |          |                         |
| 15..... | A18-23678A | Blowout Coil, Assembly          |         |          |                         |
| 16..... | A18-23679  | Blowout Coil                    |         |          |                         |
| 17..... | T-24-92    | Blowout Core                    |         |          |                         |
| 19..... | T-39-169   | Blowout Core Insulator          |         |          |                         |
| 20..... | T-38-38    | Blowout Washer                  |         |          |                         |
| 21..... | A18-23680  | Blowout Stud                    |         |          |                         |
| 22..... | A18-23682  | Blowout Spacer                  |         |          |                         |
| 24..... | A16-8126   | Arc Horn, Rear                  |         |          |                         |
| 25..... | A18-6710   | Coil Washer                     |         |          |                         |
| 26..... | A18-2548   | Coil Clamp                      |         |          |                         |
| 27..... | T-7-47     | Coil Terminal Stud              |         |          |                         |
| 27..... | T-7-199    | Coil Terminal Stud              |         |          |                         |
| 28..... | A18-2551   | Connector Stud                  |         |          |                         |
| 28..... | A18-16994  | Connector Stud                  |         |          |                         |
| 29..... | A18-23681  | Contact Stud                    |         |          |                         |
| 30..... | T-132-21   | Contact Screw                   |         |          |                         |
| 31..... | T-121-13   | Contact Screw                   |         |          |                         |
| 32..... | A18-5103A  | Core                            |         |          |                         |
| 32..... | A18-5063A  | Core                            |         |          |                         |
| 33..... | T-2-14     | Core Washer                     |         |          |                         |
| 34..... | T-24-41    | Core Spacer                     |         |          |                         |
| 35..... | A18-25359A | Frame                           |         |          |                         |
| 36..... | A18-25339A | Main Arm, Assembly              |         |          |                         |
| 37..... | T-66-1     | Main Arm Pin                    |         |          |                         |
| 38..... | A18-9491-1 | Main Arm Bushing, Upper         |         |          |                         |
| 39..... | A18-9474-9 | Main Arm Bushing, Lower         |         |          |                         |
| 40..... | T-40-21    | Main Arm Bushing, Lower, Brass  |         |          |                         |
| 41..... | A18-26288A | Main Contact Support-Back Conn  |         |          |                         |
| 42..... | A18-5065A  | Mov Contact Support Adj Screw   |         |          |                         |
| 43..... | A18-9469   | Mov Contact Support Lock Nut    |         |          |                         |
| 44..... | A18-24379  | Moving Contact Support Pin      |         |          |                         |
| 45..... | A18-80338  | Stop Stud                       |         |          |                         |
| 45..... | A18-2547   | Stop Stud Nut                   |         |          |                         |
| 47..... | T-3-17     | Stop Stud Pin                   |         |          |                         |
| 48..... | T-2-18     | Stop Stud Washer                |         |          |                         |
| 49..... | A18-9465A  | Stationary Control Contact      |         |          |                         |
| 50..... | A18-9466A  | Stationary Control Contact      |         |          |                         |
| 51..... | A18-9464A  | Auxiliary Contact Bar, Moveable |         |          |                         |
| 52..... | A18-2544   | Aux. Contact Insulator          |         |          |                         |
| 53..... | A18-9477   | Aux. Contact Stud               |         |          |                         |
| 54..... | A18-9483   | Spring                          |         |          |                         |

This document utilizes an interactive table of contents to help you jump from one section to another. Click the button to return to the table of contents.

**RETURN TO  
TABLE OF CONTENTS**

#### 106 TYPE B DC MAGNETIC BRAKES

#### CONTACTORS

- DC MAGNETIC CONTACTOR FORM 100--4RD
- DC MAGNETIC CONTACTOR FORM 150--4RD
- DC MAGNETIC CONTACTOR FORM 300--4RD
- DC MAGNETIC CONTACTOR FORM 400--4RD
- DC MAGNETIC CONTACTOR FORM 600--4RD
- DC MAGNETIC CONTACTOR FORM 900--4RD
- DC MAGNETIC CONTACTOR FORM 100--4RT
- DC MAGNETIC CONTACTOR FORM 150--4RT
- DC MAGNETIC CONTACTOR FORM 300--4RT
- DC MAGNETIC CONTACTOR FORM 400--4RT
- DC MAGNETIC CONTACTOR FORM 100--5RS
- DC MAGNETIC CONTACTOR FORM 150--5RS
- DC MAGNETIC CONTACTOR FORM 300--5RS
- DC MAGNETIC CONTACTOR FORM 400--5RS
- DC MAGNETIC CONTACTOR FORM 600--5RS
- DC MAGNETIC CONTACTOR FORM 100--3L3A
- DC MAGNETIC CONTACTOR FORM 150--3R3A
- DC MAGNETIC CONTACTOR FORM 400--3R3A
- DC MAGNETIC CONTACTOR TYPE KD 100 AMP
- DC MAGNETIC CONTACTOR TYPE KD 150 AMP
- DC MAGNETIC CONTACTOR TYPE KD 300 AMP

#### RELAYS & MASTER SWITCHES

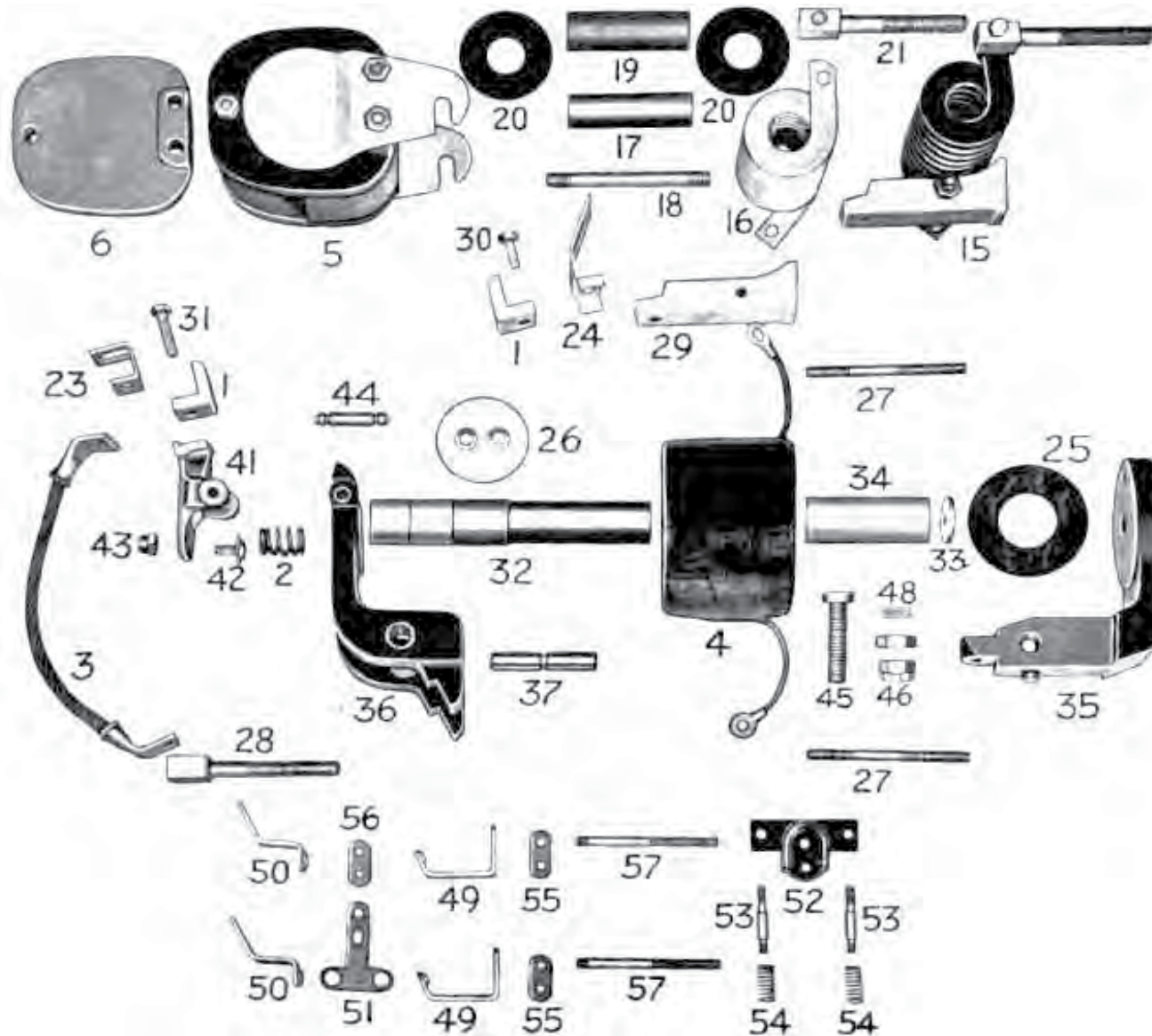
#### INDEX

# O.C.C.

## Replacement Parts For

# CLARK

### DC MAGNETIC CONTACTOR FORM 150-4RT



This document utilizes an interactive table of contents to help you jump from one section to another. Click the button to return to the table of contents.

**RETURN TO  
TABLE OF CONTENTS**

#### 106 TYPE B DC MAGNETIC BRAKES

#### CONTACTORS

- DC MAGNETIC CONTACTOR FORM 100--4RD
- DC MAGNETIC CONTACTOR FORM 150--4RD
- DC MAGNETIC CONTACTOR FORM 300--4RD
- DC MAGNETIC CONTACTOR FORM 400--4RD
- DC MAGNETIC CONTACTOR FORM 600--4RD
- DC MAGNETIC CONTACTOR FORM 900--4RD
- DC MAGNETIC CONTACTOR FORM 100--4RT
- DC MAGNETIC CONTACTOR FORM 150--4RT
- DC MAGNETIC CONTACTOR FORM 300--4RT
- DC MAGNETIC CONTACTOR FORM 400--4RT
- DC MAGNETIC CONTACTOR FORM 100--5RS
- DC MAGNETIC CONTACTOR FORM 150--5RS
- DC MAGNETIC CONTACTOR FORM 300--5RS
- DC MAGNETIC CONTACTOR FORM 400--5RS
- DC MAGNETIC CONTACTOR FORM 600--5RS
- DC MAGNETIC CONTACTOR FORM 100--3L3A
- DC MAGNETIC CONTACTOR FORM 150--3R3A
- DC MAGNETIC CONTACTOR FORM 400--3R3A
- DC MAGNETIC CONTACTOR TYPE KD 100 AMP
- DC MAGNETIC CONTACTOR TYPE KD 150 AMP
- DC MAGNETIC CONTACTOR TYPE KD 300 AMP

#### RELAYS & MASTER SWITCHES

#### INDEX

# O.C.C.

## Replacement Parts For

# CLARK

### DC MAGNETIC CONTACTOR FORM 150-4RT

| ITM     | OEM              | DESCRIPTION                     | ITM     | OEM           | DESCRIPTION        |
|---------|------------------|---------------------------------|---------|---------------|--------------------|
| 01..... | A16-7980.....    | Contact                         | 56..... | A18-2542..... | Aux. Contact Plate |
| 02..... | A18-8897.....    | Contact Spring-Back Connected   | 57..... | T-7-47.....   | Coil Terminal Stud |
| 03..... | A18-8863A.....   | Connector                       | 57..... | T-7-36.....   | Aux. Stud          |
| 05..... | A18-22026A.....  | Arc Shield, Assembly            | 57..... | T-7-150.....  | Aux. Stud          |
| 06..... | A18-21322.....   | Arc Shield Side Plate           |         |               |                    |
| 07..... | T-38-65.....     | Arc Shield Washer               |         |               |                    |
| 08..... | T-7-122.....     | Arc Shield Stud                 |         |               |                    |
| 09..... | T-120-186.....   | Arc Shield Stud                 |         |               |                    |
| 10..... | A18-21323.....   | Arc Barrier, Front              |         |               |                    |
| 11..... | A16-8005.....    | Arc Barrier, Rear               |         |               |                    |
| 13..... | A18-3510.....    | Blowout Ear, R.H.               |         |               |                    |
| 14..... | A18-3511.....    | Blowout Ear, L.H.               |         |               |                    |
| 15..... | A18-23688A.....  | Blowout Coil, Assembly          |         |               |                    |
| 16..... | A18-23689.....   | Blowout Coil                    |         |               |                    |
| 17..... | T-24-93.....     | Blowout Core                    |         |               |                    |
| 18..... | T-7-123.....     | Blowout Core Stud               |         |               |                    |
| 19..... | T-39-86.....     | Blowout Core Insulator          |         |               |                    |
| 20..... | T-38-36.....     | Blowout Washer                  |         |               |                    |
| 21..... | A18-23690.....   | Blowout Stud                    |         |               |                    |
| 22..... | A18-23692.....   | Blowout Spacer                  |         |               |                    |
| 24..... | A16-8007.....    | Arc Horn, Rear                  |         |               |                    |
| 25..... | A18-24397.....   | Coil Washer                     |         |               |                    |
| 26..... | A18-13663.....   | Coil Clamp                      |         |               |                    |
| 27..... | T-7-47.....      | Coil Terminal Stud              |         |               |                    |
| 27..... | T-7-199.....     | Coil Terminal Stud              |         |               |                    |
| 28..... | A18-16994.....   | Connector Stud                  |         |               |                    |
| 28..... | A18-8002.....    | Connector Stud                  |         |               |                    |
| 29..... | A18-23691.....   | Contact Stud                    |         |               |                    |
| 30..... | T-104-1.....     | Contact Screw                   |         |               |                    |
| 33..... | T-2-14.....      | Core Washer                     |         |               |                    |
| 34..... | T-24-94.....     | Core Spacer                     |         |               |                    |
| 35..... | A18-25365A.....  | Frame                           |         |               |                    |
| 36..... | A18-25343A.....  | Main Arm Assembly               |         |               |                    |
| 37..... | T-66-2.....      | Main Arm Pin                    |         |               |                    |
| 38..... | A18-9491-2.....  | Main Arm Bushing, Upper         |         |               |                    |
| 39..... | A18-9474-10..... | Main Arm Bushing, Lower         |         |               |                    |
| 40..... | T-40-22.....     | Main Arm Bushing, Lower, Brass  |         |               |                    |
| 41..... | A18-26290A.....  | Main Contact Support-Back Conn  |         |               |                    |
| 42..... | A18-7987A.....   | Mov Contact Support Adj. Screw  |         |               |                    |
| 43..... | A18-9469.....    | Mov Contact Support Lock Nut    |         |               |                    |
| 44..... | A18-24296.....   | Moving Contact Support Pin      |         |               |                    |
| 45..... | A18-2547.....    | Stop Stud Nut                   |         |               |                    |
| 45..... | A18-61330.....   | Stop Stud                       |         |               |                    |
| 47..... | T-3-17.....      | Stop Stud Pin                   |         |               |                    |
| 48..... | T-2-18.....      | Stop Stud Washer                |         |               |                    |
| 49..... | A18-9465A.....   | Stationary Control Contact      |         |               |                    |
| 50..... | A18-9466A.....   | Stationary Control Contact      |         |               |                    |
| 51..... | A18-9464A.....   | Auxiliary Contact Bar, Moveable |         |               |                    |
| 52..... | A18-2544.....    | Aux. Contact Insulator          |         |               |                    |
| 53..... | A18-9477.....    | Aux. Contact Stud               |         |               |                    |
| 54..... | A18-9483.....    | Spring                          |         |               |                    |
| 55..... | A18-2543.....    | Aux. Contact Base Plate         |         |               |                    |

This document utilizes an interactive table of contents to help you jump from one section to another. Click the button to return to the table of contents.

**RETURN TO  
TABLE OF CONTENTS**

#### 106 TYPE B DC MAGNETIC BRAKES

#### CONTACTORS

- DC MAGNETIC CONTACTOR FORM 100--4RD
- DC MAGNETIC CONTACTOR FORM 150--4RD
- DC MAGNETIC CONTACTOR FORM 300--4RD
- DC MAGNETIC CONTACTOR FORM 400--4RD
- DC MAGNETIC CONTACTOR FORM 600--4RD
- DC MAGNETIC CONTACTOR FORM 900--4RD
- DC MAGNETIC CONTACTOR FORM 100--4RT
- DC MAGNETIC CONTACTOR FORM 150--4RT
- DC MAGNETIC CONTACTOR FORM 300--4RT
- DC MAGNETIC CONTACTOR FORM 400--4RT
- DC MAGNETIC CONTACTOR FORM 100--5RS
- DC MAGNETIC CONTACTOR FORM 150--5RS
- DC MAGNETIC CONTACTOR FORM 300--5RS
- DC MAGNETIC CONTACTOR FORM 400--5RS
- DC MAGNETIC CONTACTOR FORM 600--5RS
- DC MAGNETIC CONTACTOR FORM 100--3L3A
- DC MAGNETIC CONTACTOR FORM 150--3R3A
- DC MAGNETIC CONTACTOR FORM 400--3R3A
- DC MAGNETIC CONTACTOR TYPE KD 100 AMP
- DC MAGNETIC CONTACTOR TYPE KD 150 AMP
- DC MAGNETIC CONTACTOR TYPE KD 300 AMP

#### RELAYS & MASTER SWITCHES

#### INDEX

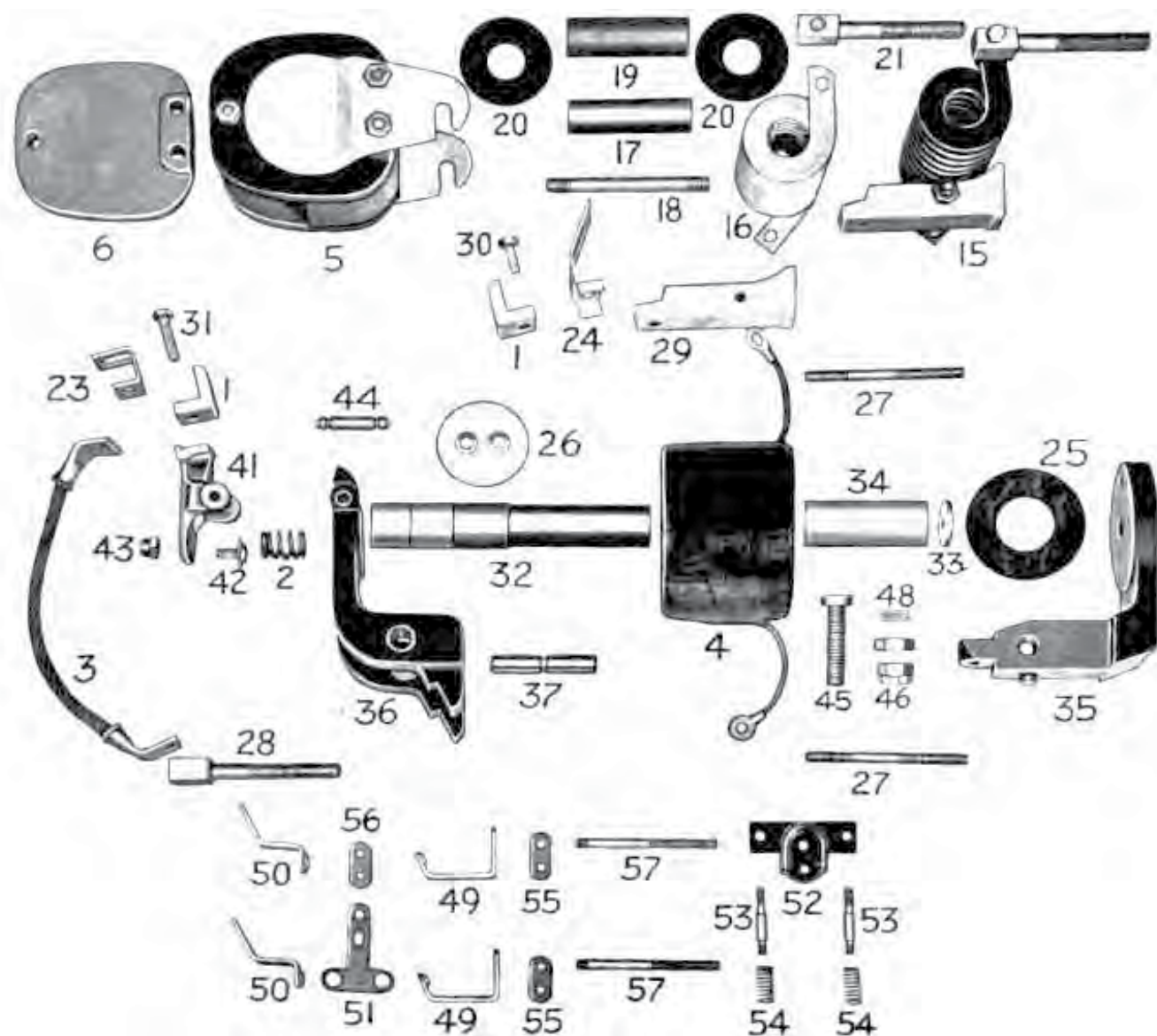


# O.C.C.

## Replacement Parts For

# CLARK

### DC MAGNETIC CONTACTOR FORM 300-4RT



This document utilizes an interactive table of contents to help you jump from one section to another. Click the button to return to the table of contents.

**RETURN TO  
TABLE OF CONTENTS**

#### 106 TYPE B DC MAGNETIC BRAKES

#### CONTACTORS

- DC MAGNETIC CONTACTOR FORM 100--4RD
- DC MAGNETIC CONTACTOR FORM 150--4RD
- DC MAGNETIC CONTACTOR FORM 300--4RD
- DC MAGNETIC CONTACTOR FORM 400--4RD
- DC MAGNETIC CONTACTOR FORM 600--4RD
- DC MAGNETIC CONTACTOR FORM 900--4RD
- DC MAGNETIC CONTACTOR FORM 100--4RT
- DC MAGNETIC CONTACTOR FORM 150--4RT
- DC MAGNETIC CONTACTOR FORM 300--4RT
- DC MAGNETIC CONTACTOR FORM 400--4RT
- DC MAGNETIC CONTACTOR FORM 100--5RS
- DC MAGNETIC CONTACTOR FORM 150--5RS
- DC MAGNETIC CONTACTOR FORM 300--5RS
- DC MAGNETIC CONTACTOR FORM 400--5RS
- DC MAGNETIC CONTACTOR FORM 600--5RS
- DC MAGNETIC CONTACTOR FORM 100--3L3A
- DC MAGNETIC CONTACTOR FORM 150--3R3A
- DC MAGNETIC CONTACTOR FORM 400--3R3A
- DC MAGNETIC CONTACTOR TYPE KD 100 AMP
- DC MAGNETIC CONTACTOR TYPE KD 150 AMP
- DC MAGNETIC CONTACTOR TYPE KD 300 AMP

#### RELAYS & MASTER SWITCHES

#### INDEX

# O.C.C.

# Replacement Parts For

# CLARK

## DC MAGNETIC CONTACTOR FORM 300-4RT

| ITM     | OEM         | DESCRIPTION                     | ITM     | OEM      | DESCRIPTION        |
|---------|-------------|---------------------------------|---------|----------|--------------------|
| 01..... | A18-3504    | Contact (Main-Mov. & Sta.)      | 56..... | A18-2542 | Aux. Contact Plate |
| 02..... | A18-9383    | Contact Spring-Back Connected   | 57..... | T-7-47   | Coil Terminal Stud |
| 03..... | A18-9356A   | Connector                       | 57..... | T-7-36   | Aux. Stud          |
| 05..... | A18-21984A  | Arc Shield, Assembly            | 57..... | T-7-150  | Aux. Stud          |
| 06..... | A18-21378   | Arc Shield Side Plate           |         |          |                    |
| 07..... | T-38-65     | Arc Shield Washer               |         |          |                    |
| 08..... | T-7-116     | Arc Shield Stud                 |         |          |                    |
| 10..... | A18-21379   | Arc Barrier, Front              |         |          |                    |
| 11..... | A18-8159    | Arc Barrier, Rear               |         |          |                    |
| 13..... | A18-5573    | Blowout Ear, R.H.               |         |          |                    |
| 14..... | A18-5574    | Blowout Ear, L.H.               |         |          |                    |
| 15..... | A18-23683A  | Blowout Coil Assembly           |         |          |                    |
| 16..... | A18-23684   | Blowout Coil                    |         |          |                    |
| 17..... | T-24-95     | Blowout Core                    |         |          |                    |
| 18..... | T-7-117     | Blowout Core Stud               |         |          |                    |
| 19..... | T-39-87     | Blowout Core Insulator          |         |          |                    |
| 20..... | T-38-37     | Blowout Washer                  |         |          |                    |
| 21..... | A18-23685   | Blowout Stud                    |         |          |                    |
| 22..... | A18-23687   | Blowout Spacer                  |         |          |                    |
| 23..... | A18-3516    | Arc Horn, Front                 |         |          |                    |
| 24..... | A16-6957    | Arc Horn, Rear                  |         |          |                    |
| 25..... | A18-24397   | Coil Washer                     |         |          |                    |
| 26..... | A18-13663   | Coil Clamp                      |         |          |                    |
| 27..... | T-7-47      | Coil Terminal Stud              |         |          |                    |
| 27..... | T-7-199     | Coil Terminal Stud              |         |          |                    |
| 28..... | A18-6950    | Connector Stud                  |         |          |                    |
| 28..... | A16-18115   | Connector Stud                  |         |          |                    |
| 29..... | A18-23686   | Contact Stud                    |         |          |                    |
| 30..... | T-104-2     | Contact Screw                   |         |          |                    |
| 33..... | T-2-14      | Core Washer                     |         |          |                    |
| 34..... | T-24-94     | Core Spacer                     |         |          |                    |
| 35..... | A18-25371A  | Frame                           |         |          |                    |
| 36..... | A18-25347A  | Main Arm Assembly               |         |          |                    |
| 37..... | T-66-3      | Main Arm Pin                    |         |          |                    |
| 38..... | A18-9491-3  | Main Arm Bushing, Upper         |         |          |                    |
| 39..... | A18-9474-11 | Main Arm Bushing, Lower         |         |          |                    |
| 40..... | T-40-23     | Main Arm Bushing, Lower, Brass  |         |          |                    |
| 41..... | A18-26292A  | Main Contact Support-Back Conn  |         |          |                    |
| 42..... | A18-5594A   | Mov Contact Support Adj. Screw  |         |          |                    |
| 43..... | T-115-32    | Mov Contact Support Lock Nut    |         |          |                    |
| 44..... | A18-22714   | SS Moving Contact Support Pin   |         |          |                    |
| 45..... | A18-3519    | Stop Stud                       |         |          |                    |
| 45..... | A18-3520    | Stop Stud Nut                   |         |          |                    |
| 47..... | T-3-17      | Stop Stud Pin                   |         |          |                    |
| 48..... | T-2-30      | Stop Stud Washer                |         |          |                    |
| 49..... | A18-9109A   | Stationary Control Contact      |         |          |                    |
| 50..... | A18-9110A   | Stationary Control Contact      |         |          |                    |
| 51..... | A18-9464A   | Auxiliary Contact Bar, Moveable |         |          |                    |
| 52..... | A18-2544    | Aux. Contact Insulator          |         |          |                    |
| 53..... | A18-9477    | Aux. Contact Stud               |         |          |                    |
| 54..... | A18-9483    | Spring                          |         |          |                    |
| 55..... | A18-2543    | Aux. Contact Base Plate         |         |          |                    |

This document utilizes an interactive table of contents to help you jump from one section to another. Click the button to return to the table of contents.

**RETURN TO  
TABLE OF CONTENTS**

### 106 TYPE B DC MAGNETIC BRAKES

#### CONTACTORS

- DC MAGNETIC CONTACTOR FORM 100--4RD
- DC MAGNETIC CONTACTOR FORM 150--4RD
- DC MAGNETIC CONTACTOR FORM 300--4RD
- DC MAGNETIC CONTACTOR FORM 400--4RD
- DC MAGNETIC CONTACTOR FORM 600--4RD
- DC MAGNETIC CONTACTOR FORM 900--4RD
- DC MAGNETIC CONTACTOR FORM 100--4RT
- DC MAGNETIC CONTACTOR FORM 150--4RT
- DC MAGNETIC CONTACTOR FORM 300--4RT
- DC MAGNETIC CONTACTOR FORM 400--4RT
- DC MAGNETIC CONTACTOR FORM 100--5RS
- DC MAGNETIC CONTACTOR FORM 150--5RS
- DC MAGNETIC CONTACTOR FORM 300--5RS
- DC MAGNETIC CONTACTOR FORM 400--5RS
- DC MAGNETIC CONTACTOR FORM 600--5RS
- DC MAGNETIC CONTACTOR FORM 100--3L3A
- DC MAGNETIC CONTACTOR FORM 150--3R3A
- DC MAGNETIC CONTACTOR FORM 400--3R3A
- DC MAGNETIC CONTACTOR TYPE KD 100 AMP
- DC MAGNETIC CONTACTOR TYPE KD 150 AMP
- DC MAGNETIC CONTACTOR TYPE KD 300 AMP

#### RELAYS & MASTER SWITCHES

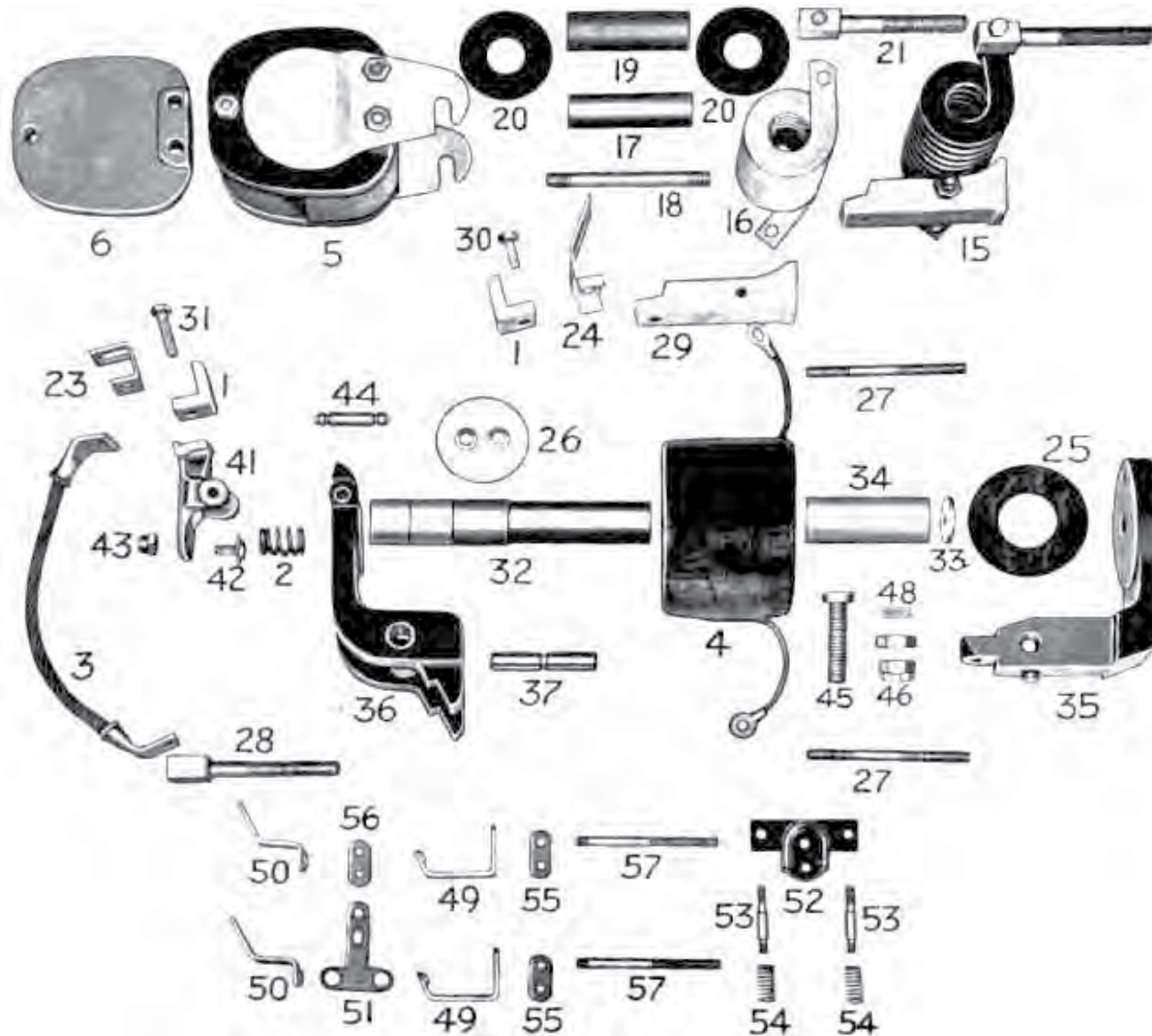
#### INDEX

# O.C.C.

## Replacement Parts For

# CLARK

### DC MAGNETIC CONTACTOR FORM 400-4RT



This document utilizes an interactive table of contents to help you jump from one section to another. Click the button to return to the table of contents.

**RETURN TO  
TABLE OF CONTENTS**

#### 106 TYPE B DC MAGNETIC BRAKES

#### CONTACTORS

- DC MAGNETIC CONTACTOR FORM 100--4RD
- DC MAGNETIC CONTACTOR FORM 150--4RD
- DC MAGNETIC CONTACTOR FORM 300--4RD
- DC MAGNETIC CONTACTOR FORM 400--4RD
- DC MAGNETIC CONTACTOR FORM 600--4RD
- DC MAGNETIC CONTACTOR FORM 900--4RD
- DC MAGNETIC CONTACTOR FORM 100--4RT
- DC MAGNETIC CONTACTOR FORM 150--4RT
- DC MAGNETIC CONTACTOR FORM 300--4RT
- DC MAGNETIC CONTACTOR FORM 400--4RT
- DC MAGNETIC CONTACTOR FORM 100--5RS
- DC MAGNETIC CONTACTOR FORM 150--5RS
- DC MAGNETIC CONTACTOR FORM 300--5RS
- DC MAGNETIC CONTACTOR FORM 400--5RS
- DC MAGNETIC CONTACTOR FORM 600--5RS
- DC MAGNETIC CONTACTOR FORM 100--3L3A
- DC MAGNETIC CONTACTOR FORM 150--3R3A
- DC MAGNETIC CONTACTOR FORM 400--3R3A
- DC MAGNETIC CONTACTOR TYPE KD 100 AMP
- DC MAGNETIC CONTACTOR TYPE KD 150 AMP
- DC MAGNETIC CONTACTOR TYPE KD 300 AMP

#### RELAYS & MASTER SWITCHES

#### INDEX



### DC MAGNETIC CONTACTOR FORM 400-4RT

| ITM     | OEM         | DESCRIPTION                     | ITM     | OEM      | DESCRIPTION             |
|---------|-------------|---------------------------------|---------|----------|-------------------------|
| 01..... | A18-5581    | Contact                         | 53..... | A18-9477 | Aux. Contact Stud       |
| 02..... | A18-5597    | Contact Spring-Back Connected   | 54..... | A18-9483 | Spring                  |
| 03..... | A18-5558A   | Connector                       | 55..... | A18-2543 | Aux. Contact Base Plate |
| 05..... | A18-22028A  | Arc Shield, Assembly            | 56..... | A18-2542 | Aux. Contact Plate      |
| 06..... | A18-21378   | Arc Shield Side Plate           | 57..... | T-7-36   | Aux. Stud               |
| 07..... | T-38-65     | Arc Shield Washer               | 57..... | T-7-150  | Aux. Stud               |
| 08..... | T-7-99      | Arc Shield Stud                 |         |          |                         |
| 09..... | T-120-188   | Arc Shield Stud                 |         |          |                         |
| 10..... | A18-22004   | Arc Barrier, Front              |         |          |                         |
| 11..... | A18-5571    | Arc Barrier, Rear               |         |          |                         |
| 13..... | A18-5573    | Blowout Ear, R.H.               |         |          |                         |
| 14..... | A18-5574    | Blowout Ear, L.H.               |         |          |                         |
| 15..... | A18-23693A  | Blowout Coil, Assembly          |         |          |                         |
| 16..... | A18-23694   | Blowout Coil                    |         |          |                         |
| 17..... | T-24-170    | Blowout Core                    |         |          |                         |
| 18..... | T-7-101     | Blowout Core Stud               |         |          |                         |
| 19..... | T-39-146    | Blowout Core Insulator          |         |          |                         |
| 20..... | T-38-56     | Blowout Washer                  |         |          |                         |
| 21..... | A18-23695   | Blowout Stud                    |         |          |                         |
| 22..... | A18-23697   | Blowout Spacer                  |         |          |                         |
| 23..... | A18-5583    | Arc Horn, Front                 |         |          |                         |
| 24..... | A18-152938  | Arc Horn, Rear                  |         |          |                         |
| 25..... | A18-22649   | Coil Washer                     |         |          |                         |
| 26..... | A18-5587    | Coil Clamp                      |         |          |                         |
| 27..... | T-7-47      | Coil Terminal Stud              |         |          |                         |
| 27..... | T-7-199     | Coil Terminal Stud              |         |          |                         |
| 28..... | A18-5593    | Connector Stud                  |         |          |                         |
| 28..... | A18-24376   | Connector Stud                  |         |          |                         |
| 29..... | A18-23696   | Contact Stud                    |         |          |                         |
| 30..... | T-104-3     | Contact Screw                   |         |          |                         |
| 31..... | T-104-1     | Contact Screw                   |         |          |                         |
| 33..... | T-2-50      | Core Washer                     |         |          |                         |
| 34..... | T-24-78     | Core Spacer                     |         |          |                         |
| 35..... | A18-25490A  | Frame                           |         |          |                         |
| 36..... | A18-25351A  | Main Arm Assembly               |         |          |                         |
| 37..... | T-66-4      | Main Arm Pin                    |         |          |                         |
| 38..... | A18-9474-6  | Main Arm Bushing, Upper         |         |          |                         |
| 39..... | A18-9474-12 | Main Arm Bushing, Lower         |         |          |                         |
| 40..... | T-40-24     | Main Arm Bushing, Lower, Brass  |         |          |                         |
| 41..... | A18-9464A   | Auxiliary Contact Bar, Moveable |         |          |                         |
| 41..... | A18-26294A  | Main Contact Support-Back Conn  |         |          |                         |
| 42..... | A18-5594A   | Mov Contact Support Adj. Screw  |         |          |                         |
| 43..... | T-115-32    | Mov Contact Support Lock Nut    |         |          |                         |
| 44..... | A18-24297   | Moving Contact Support Pin      |         |          |                         |
| 45..... | A18-3519    | Stop Stud                       |         |          |                         |
| 45..... | A18-3520    | Stop Stud Nut                   |         |          |                         |
| 47..... | T-3-17      | Stop Stud Pin                   |         |          |                         |
| 48..... | T-2-30      | Stop Stud Washer                |         |          |                         |
| 49..... | A18-13823A  | Contact                         |         |          |                         |
| 50..... | A18-13824A  | Aux. Contact                    |         |          |                         |
| 52..... | A18-5586    | Aux. Contact Insulator          |         |          |                         |

This document utilizes an interactive table of contents to help you jump from one section to another. Click the button to return to the table of contents.

**RETURN TO  
TABLE OF CONTENTS**

#### 106 TYPE B DC MAGNETIC BRAKES

#### CONTACTORS

- DC MAGNETIC CONTACTOR FORM 100--4RD
- DC MAGNETIC CONTACTOR FORM 150--4RD
- DC MAGNETIC CONTACTOR FORM 300--4RD
- DC MAGNETIC CONTACTOR FORM 400--4RD
- DC MAGNETIC CONTACTOR FORM 600--4RD
- DC MAGNETIC CONTACTOR FORM 900--4RD
- DC MAGNETIC CONTACTOR FORM 100--4RT
- DC MAGNETIC CONTACTOR FORM 150--4RT
- DC MAGNETIC CONTACTOR FORM 300--4RT
- DC MAGNETIC CONTACTOR FORM 400--4RT
- DC MAGNETIC CONTACTOR FORM 100--5RS
- DC MAGNETIC CONTACTOR FORM 150--5RS
- DC MAGNETIC CONTACTOR FORM 300--5RS
- DC MAGNETIC CONTACTOR FORM 400--5RS
- DC MAGNETIC CONTACTOR FORM 600--5RS
- DC MAGNETIC CONTACTOR FORM 100--3L3A
- DC MAGNETIC CONTACTOR FORM 150--3R3A
- DC MAGNETIC CONTACTOR FORM 400--3R3A
- DC MAGNETIC CONTACTOR TYPE KD 100 AMP
- DC MAGNETIC CONTACTOR TYPE KD 150 AMP
- DC MAGNETIC CONTACTOR TYPE KD 300 AMP

#### RELAYS & MASTER SWITCHES

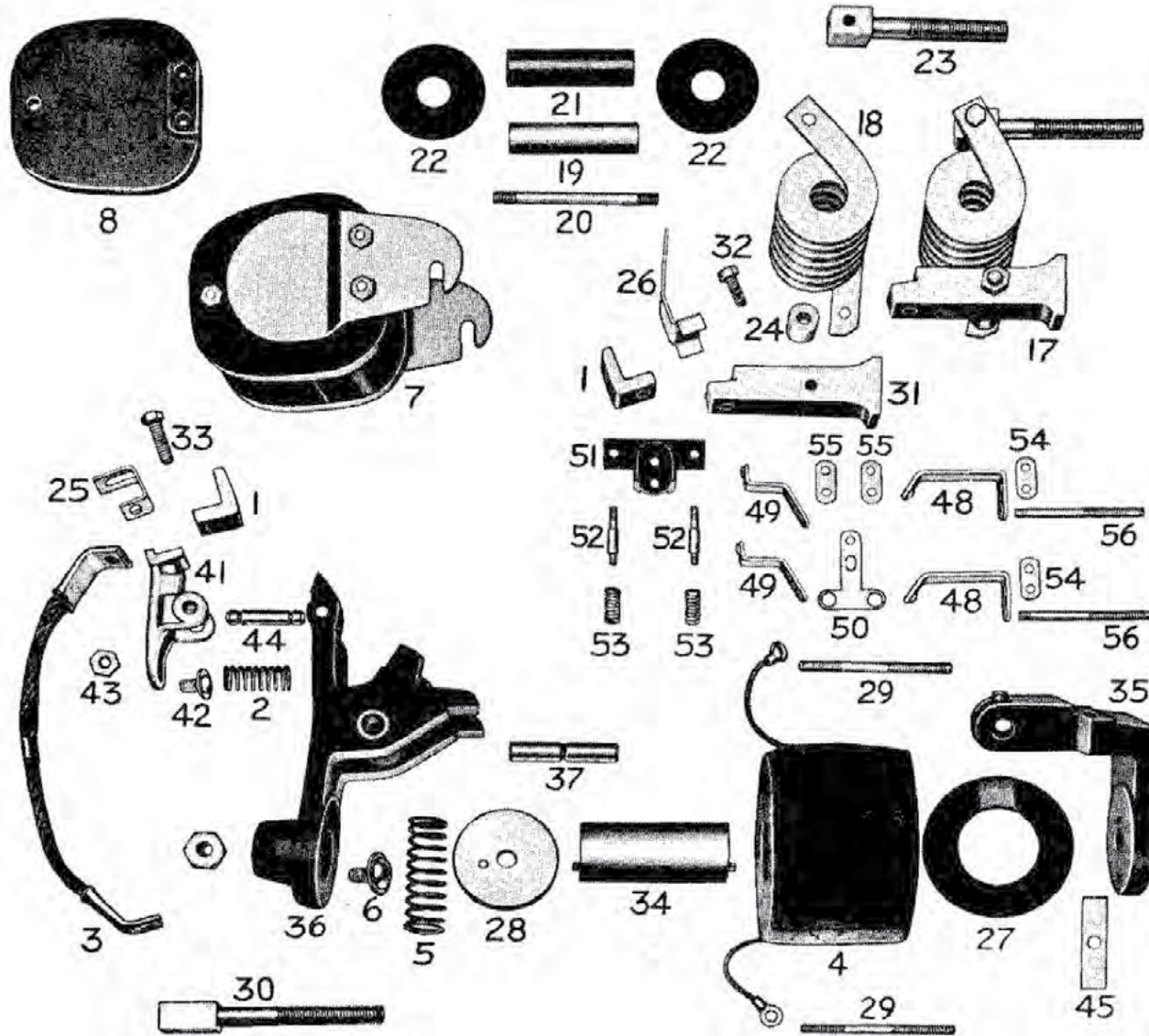
#### INDEX

O.C.C.

Replacement Parts For

CLARK

DC MAGNETIC CONTACTOR FORM 100-5RS



This document utilizes an interactive table of contents to help you jump from one section to another. Click the button to return to the table of contents.

**RETURN TO  
TABLE OF CONTENTS**

*106 TYPE B DC MAGNETIC BRAKES*

*CONTACTORS*

- DC MAGNETIC CONTACTOR FORM 100--4RD
- DC MAGNETIC CONTACTOR FORM 150--4RD
- DC MAGNETIC CONTACTOR FORM 300--4RD
- DC MAGNETIC CONTACTOR FORM 400--4RD
- DC MAGNETIC CONTACTOR FORM 600--4RD
- DC MAGNETIC CONTACTOR FORM 900--4RD
- DC MAGNETIC CONTACTOR FORM 100--4RT
- DC MAGNETIC CONTACTOR FORM 150--4RT
- DC MAGNETIC CONTACTOR FORM 300--4RT
- DC MAGNETIC CONTACTOR FORM 400--4RT
- DC MAGNETIC CONTACTOR FORM 100--5RS
- DC MAGNETIC CONTACTOR FORM 150--5RS
- DC MAGNETIC CONTACTOR FORM 300--5RS
- DC MAGNETIC CONTACTOR FORM 400--5RS
- DC MAGNETIC CONTACTOR FORM 600--5RS
- DC MAGNETIC CONTACTOR FORM 100--3L3A
- DC MAGNETIC CONTACTOR FORM 150--3R3A
- DC MAGNETIC CONTACTOR FORM 400--3R3A
- DC MAGNETIC CONTACTOR TYPE KD 100 AMP
- DC MAGNETIC CONTACTOR TYPE KD 150 AMP
- DC MAGNETIC CONTACTOR TYPE KD 300 AMP

*RELAYS & MASTER SWITCHES*

*INDEX*

# O.C.C.

## Replacement Parts For

# CLARK

### DC MAGNETIC CONTACTOR FORM 100-5RS

This document utilizes an interactive table of contents to help you jump from one section to another. Click the button to return to the table of contents.

**RETURN TO  
TABLE OF CONTENTS**

#### 106 TYPE B DC MAGNETIC BRAKES

#### CONTACTORS

- DC MAGNETIC CONTACTOR FORM 100--4RD
- DC MAGNETIC CONTACTOR FORM 150--4RD
- DC MAGNETIC CONTACTOR FORM 300--4RD
- DC MAGNETIC CONTACTOR FORM 400--4RD
- DC MAGNETIC CONTACTOR FORM 600--4RD
- DC MAGNETIC CONTACTOR FORM 900--4RD
- DC MAGNETIC CONTACTOR FORM 100--4RT
- DC MAGNETIC CONTACTOR FORM 150--4RT
- DC MAGNETIC CONTACTOR FORM 300--4RT
- DC MAGNETIC CONTACTOR FORM 400--4RT
- DC MAGNETIC CONTACTOR FORM 100--5RS
- DC MAGNETIC CONTACTOR FORM 150--5RS
- DC MAGNETIC CONTACTOR FORM 300--5RS
- DC MAGNETIC CONTACTOR FORM 400--5RS
- DC MAGNETIC CONTACTOR FORM 600--5RS
- DC MAGNETIC CONTACTOR FORM 100--3L3A
- DC MAGNETIC CONTACTOR FORM 150--3R3A
- DC MAGNETIC CONTACTOR FORM 400--3R3A
- DC MAGNETIC CONTACTOR TYPE KD 100 AMP
- DC MAGNETIC CONTACTOR TYPE KD 150 AMP
- DC MAGNETIC CONTACTOR TYPE KD 300 AMP

#### RELAYS & MASTER SWITCHES

#### INDEX

| ITM     | OEM             | DESCRIPTION                     | ITM     | OEM           | DESCRIPTION             |
|---------|-----------------|---------------------------------|---------|---------------|-------------------------|
| 01..... | A16-1936.....   | Contact (Main-Mov. & Sta.)      | 51..... | A18-2544..... | Aux. Contact Insulator  |
| 02..... | T-45-216.....   | Contact Spring                  | 52..... | A18-9477..... | Aux. Contact Stud       |
| 03..... | A18-2510A.....  | Connector                       | 53..... | A18-9483..... | Spring                  |
| 04..... | TB-41-1.....    | Coil, 115V                      | 54..... | A18-2543..... | Aux. Contact Base Plate |
| 04..... | TB-41-2.....    | Coil, 230V                      | 55..... | A18-2542..... | Aux. Contact Plate      |
| 04..... | TB-41-3.....    | Coil, 550 VDC                   | 56..... | T-7-47.....   | Coil Terminal Stud      |
| 05..... | T-45-215.....   | Operating Spring                | 56..... | T-7-36.....   | Aux. Stud               |
| 06..... | A16-10878A..... | Adj. Screw                      | 56..... | T-7-150.....  | Aux. Stud               |
| 07..... | A18-22027A..... | Arc Shield, Assembly            |         |               |                         |
| 08..... | A18-21305.....  | Arc Shield Side Plate           |         |               |                         |
| 09..... | T-38-65.....    | Arc Shield Washer               |         |               |                         |
| 10..... | T-120-99.....   | Arc Shield Stud                 |         |               |                         |
| 11..... | T-120-96.....   | Arc Shield Stud                 |         |               |                         |
| 12..... | A18-21324.....  | Arc Barrier, Front              |         |               |                         |
| 13..... | A16-8124.....   | Arc Barrier, Rear               |         |               |                         |
| 15..... | A18-2528.....   | Blowout Ear, R.H.               |         |               |                         |
| 16..... | A18-2529.....   | Blowout Ear, L.H.               |         |               |                         |
| 17..... | A18-23678A..... | Blowout Coil, Assembly          |         |               |                         |
| 18..... | A18-23679.....  | Blowout Coil                    |         |               |                         |
| 19..... | T-24-92.....    | Blowout Core                    |         |               |                         |
| 21..... | T-39-169.....   | Blowout Core Insulator          |         |               |                         |
| 22..... | T-38-38.....    | Blowout Washer                  |         |               |                         |
| 23..... | A18-23680.....  | Blowout Stud                    |         |               |                         |
| 24..... | A18-23682.....  | Blowout Spacer                  |         |               |                         |
| 25..... | A18-2534.....   | Arc Horn, Front                 |         |               |                         |
| 26..... | A16-8126.....   | Arc Horn, Rear                  |         |               |                         |
| 27..... | A18-6710.....   | Coil Washer                     |         |               |                         |
| 28..... | A18-66731.....  | Coil Clamp                      |         |               |                         |
| 29..... | T-7-47.....     | Coil Terminal Stud              |         |               |                         |
| 29..... | T-7-199.....    | Coil Terminal Stud              |         |               |                         |
| 30..... | A18-2551.....   | Connector Stud                  |         |               |                         |
| 30..... | A18-16994.....  | Connector Stud                  |         |               |                         |
| 31..... | A18-23681.....  | Contact Stud                    |         |               |                         |
| 32..... | T-132-21.....   | Contact Screw                   |         |               |                         |
| 33..... | T-121-13.....   | Contact Screw                   |         |               |                         |
| 34..... | A18-10736A..... | Core Assembly                   |         |               |                         |
| 35..... | A18-25361A..... | Frame                           |         |               |                         |
| 36..... | A18-25337A..... | Main Arm Assembly               |         |               |                         |
| 37..... | T-66-1.....     | Main Arm Pin                    |         |               |                         |
| 38..... | A18-9491-1..... | Main Arm Bushing, Upper         |         |               |                         |
| 39..... | A18-9474-9..... | Main Arm Bushing, Lower         |         |               |                         |
| 40..... | T-40-21.....    | Main Arm Bushing, Lower, Brass  |         |               |                         |
| 41..... | A18-26288A..... | Main Contact Support-Back Con.  |         |               |                         |
| 42..... | A18-5065A.....  | Mov Contact Support Adj Screw   |         |               |                         |
| 43..... | A18-9469.....   | Mov Contact Support Lock Nut    |         |               |                         |
| 44..... | A18-24379.....  | Moving Contact Support Pin      |         |               |                         |
| 45..... | A18-2588.....   | Stop Plate                      |         |               |                         |
| 48..... | A18-9465A.....  | Stationary Control Contact      |         |               |                         |
| 49..... | A18-9466A.....  | Stationary Control Contact      |         |               |                         |
| 50..... | A18-9464A.....  | Auxiliary Contact Bar, Moveable |         |               |                         |

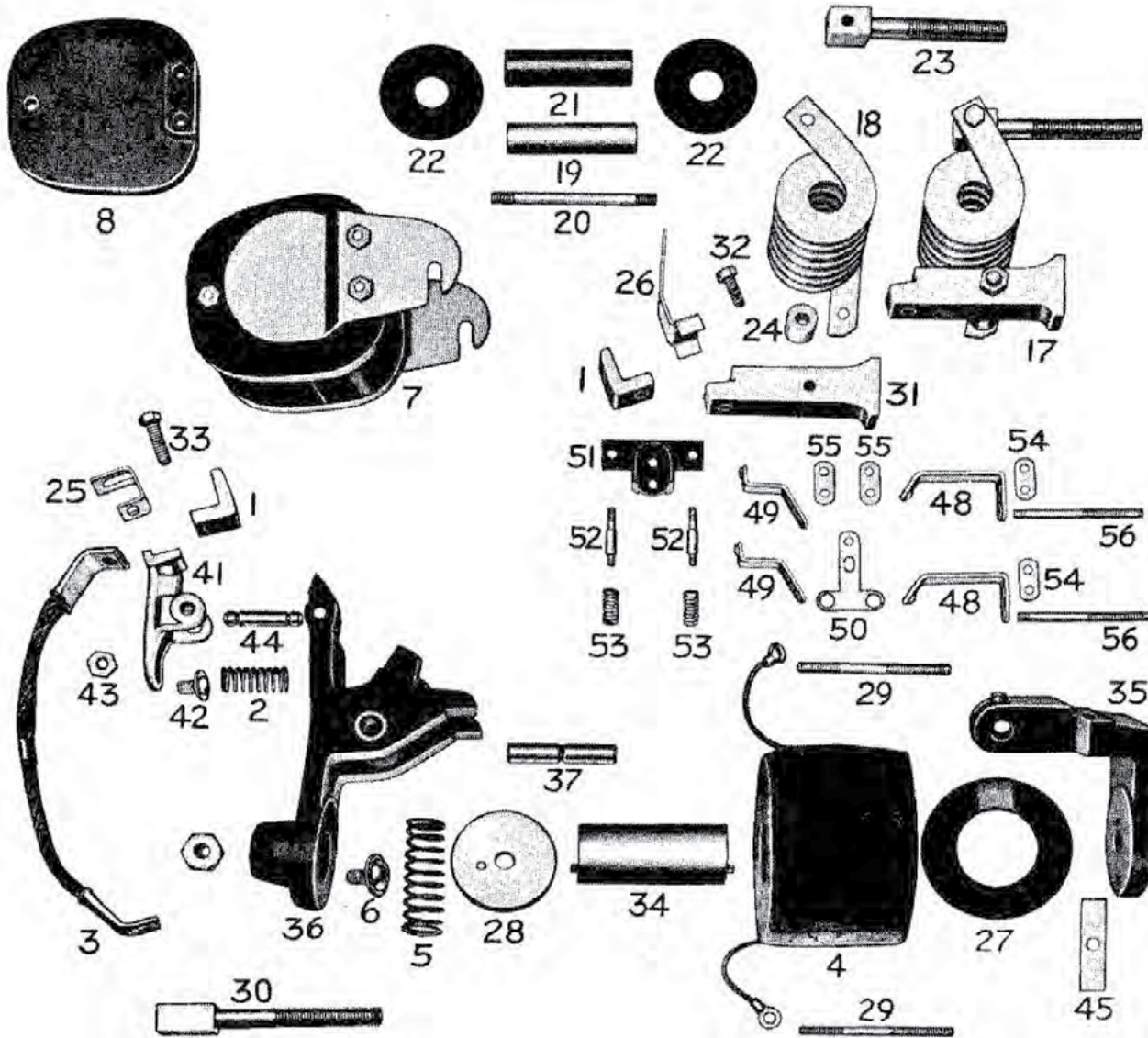


O.C.C.

Replacement Parts For

CLARK

DC MAGNETIC CONTACTOR FORM 150-5RS



This document utilizes an interactive table of contents to help you jump from one section to another. Click the button to return to the table of contents.

**RETURN TO  
TABLE OF CONTENTS**

*106 TYPE B DC MAGNETIC BRAKES*

*CONTACTORS*

- DC MAGNETIC CONTACTOR FORM 100--4RD
- DC MAGNETIC CONTACTOR FORM 150--4RD
- DC MAGNETIC CONTACTOR FORM 300--4RD
- DC MAGNETIC CONTACTOR FORM 400--4RD
- DC MAGNETIC CONTACTOR FORM 600--4RD
- DC MAGNETIC CONTACTOR FORM 900--4RD
- DC MAGNETIC CONTACTOR FORM 100--4RT
- DC MAGNETIC CONTACTOR FORM 150--4RT
- DC MAGNETIC CONTACTOR FORM 300--4RT
- DC MAGNETIC CONTACTOR FORM 400--4RT
- DC MAGNETIC CONTACTOR FORM 100--5RS
- DC MAGNETIC CONTACTOR FORM 150--5RS
- DC MAGNETIC CONTACTOR FORM 300--5RS
- DC MAGNETIC CONTACTOR FORM 400--5RS
- DC MAGNETIC CONTACTOR FORM 600--5RS
- DC MAGNETIC CONTACTOR FORM 100--3L3A
- DC MAGNETIC CONTACTOR FORM 150--3R3A
- DC MAGNETIC CONTACTOR FORM 400--3R3A
- DC MAGNETIC CONTACTOR TYPE KD 100 AMP
- DC MAGNETIC CONTACTOR TYPE KD 150 AMP
- DC MAGNETIC CONTACTOR TYPE KD 300 AMP

*RELAYS & MASTER SWITCHES*

*INDEX*

# O.C.C.

## Replacement Parts For

# CLARK

### DC MAGNETIC CONTACTOR FORM 150-5RS

| ITM     | OEM              | DESCRIPTION                     | ITM     | OEM            | DESCRIPTION                     |
|---------|------------------|---------------------------------|---------|----------------|---------------------------------|
| 01..... | A16-7980.....    | Contact                         | 50..... | A18-9464A..... | Auxiliary Contact Bar, Moveable |
| 02..... | T-45-212.....    | Contact Spring                  | 51..... | A18-2544.....  | Aux. Contact Insulator          |
| 03..... | A18-8863A.....   | Connector                       | 52..... | A18-9477.....  | Aux. Contact Stud               |
| 04..... | TB-44-1.....     | Coil, 115V                      | 53..... | A18-9483.....  | Spring                          |
| 04..... | TB-44-2.....     | Coil, 230V                      | 54..... | A18-2543.....  | Aux. Contact Base Plate         |
| 04..... | TB-44-3.....     | Coil, 550V                      | 55..... | A18-2542.....  | Aux. Contact Plate              |
| 05..... | T-45-211.....    | Operating Spring                | 56..... | T-7-47.....    | Coil Terminal Stud              |
| 06..... | A18-5594A.....   | Mov Contact Support Adj. Screw  | 56..... | T-7-36.....    | Aux. Stud                       |
| 07..... | A18-22026A.....  | Arc Shield, Assembly            | 56..... | T-7-150.....   | Aux. Stud                       |
| 08..... | A18-21322.....   | Arc Shield Side Plate           |         |                |                                 |
| 09..... | T-38-65.....     | Arc Shield Washer               |         |                |                                 |
| 10..... | T-7-122.....     | Arc Shield Stud                 |         |                |                                 |
| 11..... | T-120-186.....   | Arc Shield Stud                 |         |                |                                 |
| 12..... | A18-21323.....   | Arc Barrier, Front              |         |                |                                 |
| 13..... | A16-8005.....    | Arc Barrier, Rear               |         |                |                                 |
| 15..... | A18-3510.....    | Blowout Ear, R.H.               |         |                |                                 |
| 16..... | A18-3511.....    | Blowout Ear, L.H.               |         |                |                                 |
| 17..... | A18-23688A.....  | Blowout Coil, Assembly          |         |                |                                 |
| 18..... | A18-23689.....   | Blowout Coil                    |         |                |                                 |
| 19..... | T-24-93.....     | Blowout Core                    |         |                |                                 |
| 20..... | T-7-123.....     | Blowout Core Stud               |         |                |                                 |
| 21..... | T-39-86.....     | Blowout Core Insulator          |         |                |                                 |
| 22..... | T-38-36.....     | Blowout Washer                  |         |                |                                 |
| 23..... | A18-23690.....   | Blowout Stud                    |         |                |                                 |
| 24..... | A18-23692.....   | Blowout Spacer                  |         |                |                                 |
| 25..... | A16-8008.....    | Arc Horn, Front                 |         |                |                                 |
| 26..... | A16-8007.....    | Arc Horn, Rear                  |         |                |                                 |
| 27..... | A18-24397.....   | Coil Washer                     |         |                |                                 |
| 28..... | A18-66731.....   | Coil Clamp                      |         |                |                                 |
| 29..... | T-7-47.....      | Coil Terminal Stud              |         |                |                                 |
| 29..... | T-7-199.....     | Coil Terminal Stud              |         |                |                                 |
| 30..... | A18-16994.....   | Connector Stud                  |         |                |                                 |
| 30..... | A16-8002.....    | Connector Stud                  |         |                |                                 |
| 31..... | A18-23691.....   | Contact Stud                    |         |                |                                 |
| 32..... | T-104-1.....     | Contact Screw                   |         |                |                                 |
| 33..... | T-104-1.....     | Contact Screw                   |         |                |                                 |
| 34..... | A18-10732A.....  | Core Assembly                   |         |                |                                 |
| 35..... | A18-25363A.....  | Frame                           |         |                |                                 |
| 36..... | A18-25341A.....  | Main Arm Assembly               |         |                |                                 |
| 37..... | T-66-2.....      | Main Arm Pin                    |         |                |                                 |
| 38..... | A18-9491-2.....  | Main Arm Bushing, Upper         |         |                |                                 |
| 39..... | A18-9474-10..... | Main Arm Bushing, Lower         |         |                |                                 |
| 40..... | T-40-22.....     | Main Arm Bushing, Lower, Brass  |         |                |                                 |
| 41..... | A18-26290A.....  | Main Contact Support-Back Conn. |         |                |                                 |
| 42..... | A16-7981A.....   | Adjusting Screw                 |         |                |                                 |
| 43..... | A18-9469.....    | Mov Contact Support Lock Nut    |         |                |                                 |
| 44..... | A18-24296.....   | Moving Contact Support Pin      |         |                |                                 |
| 45..... | A18-8925.....    | Stop Plate                      |         |                |                                 |
| 48..... | A18-9465A.....   | Stationary Control Contact      |         |                |                                 |
| 49..... | A18-9466A.....   | Stationary Control Contact      |         |                |                                 |

This document utilizes an interactive table of contents to help you jump from one section to another. Click the button to return to the table of contents.

**RETURN TO  
TABLE OF CONTENTS**

#### 106 TYPE B DC MAGNETIC BRAKES

#### CONTACTORS

- DC MAGNETIC CONTACTOR FORM 100--4RD
- DC MAGNETIC CONTACTOR FORM 150--4RD
- DC MAGNETIC CONTACTOR FORM 300--4RD
- DC MAGNETIC CONTACTOR FORM 400--4RD
- DC MAGNETIC CONTACTOR FORM 600--4RD
- DC MAGNETIC CONTACTOR FORM 900--4RD
- DC MAGNETIC CONTACTOR FORM 100--4RT
- DC MAGNETIC CONTACTOR FORM 150--4RT
- DC MAGNETIC CONTACTOR FORM 300--4RT
- DC MAGNETIC CONTACTOR FORM 400--4RT
- DC MAGNETIC CONTACTOR FORM 100--5RS
- DC MAGNETIC CONTACTOR FORM 150--5RS
- DC MAGNETIC CONTACTOR FORM 300--5RS
- DC MAGNETIC CONTACTOR FORM 400--5RS
- DC MAGNETIC CONTACTOR FORM 600--5RS
- DC MAGNETIC CONTACTOR FORM 100--3L3A
- DC MAGNETIC CONTACTOR FORM 150--3R3A
- DC MAGNETIC CONTACTOR FORM 400--3R3A
- DC MAGNETIC CONTACTOR TYPE KD 100 AMP
- DC MAGNETIC CONTACTOR TYPE KD 150 AMP
- DC MAGNETIC CONTACTOR TYPE KD 300 AMP

#### RELAYS & MASTER SWITCHES

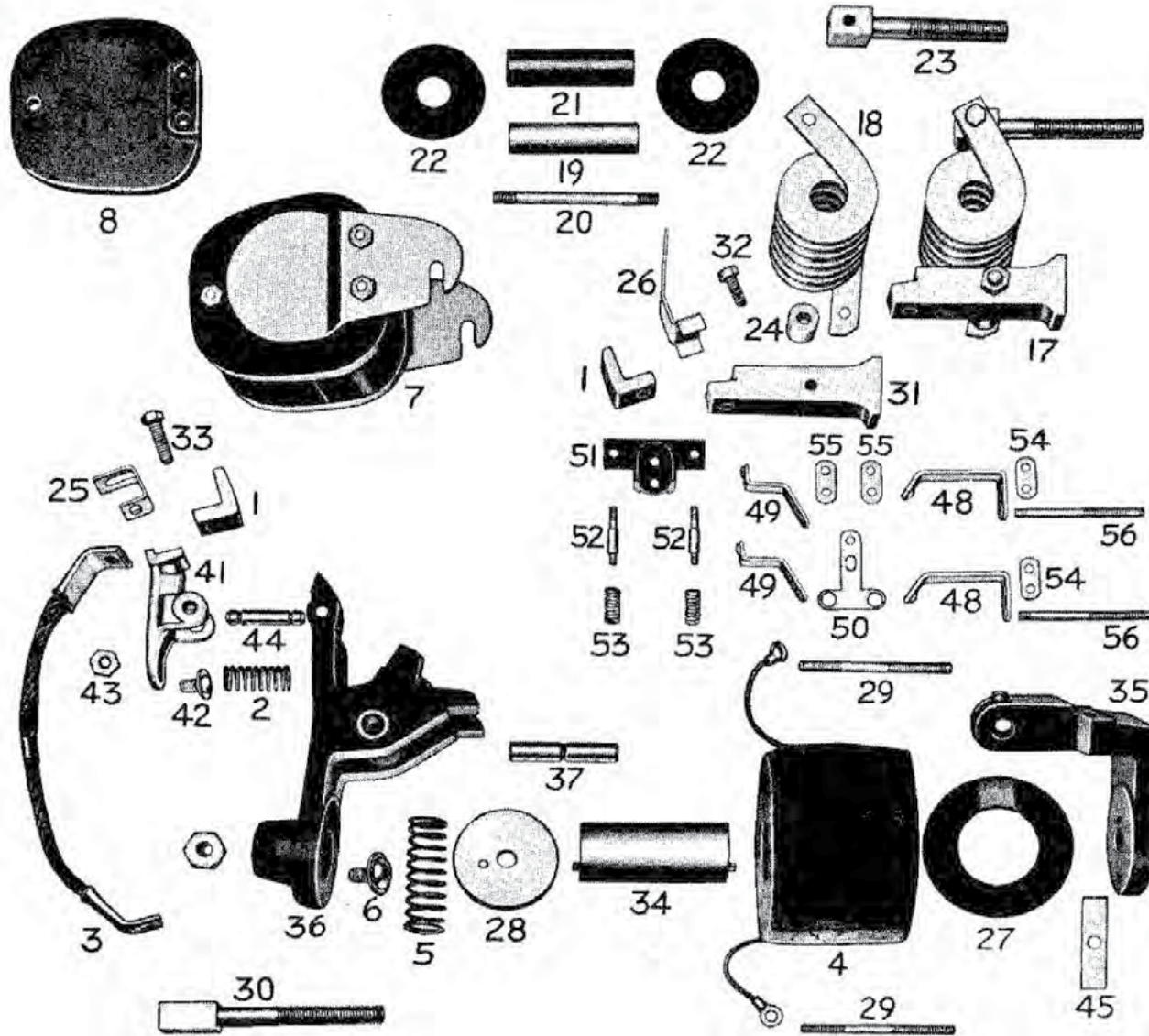
#### INDEX

O.C.C.

Replacement Parts For

CLARK

DC MAGNETIC CONTACTOR FORM 300-5RS



This document utilizes an interactive table of contents to help you jump from one section to another. Click the button to return to the table of contents.

**RETURN TO  
TABLE OF CONTENTS**

*106 TYPE B DC MAGNETIC BRAKES*

*CONTACTORS*

- DC MAGNETIC CONTACTOR FORM 100--4RD
- DC MAGNETIC CONTACTOR FORM 150--4RD
- DC MAGNETIC CONTACTOR FORM 300--4RD
- DC MAGNETIC CONTACTOR FORM 400--4RD
- DC MAGNETIC CONTACTOR FORM 600--4RD
- DC MAGNETIC CONTACTOR FORM 900--4RD
- DC MAGNETIC CONTACTOR FORM 100--4RT
- DC MAGNETIC CONTACTOR FORM 150--4RT
- DC MAGNETIC CONTACTOR FORM 300--4RT
- DC MAGNETIC CONTACTOR FORM 400--4RT
- DC MAGNETIC CONTACTOR FORM 100--5RS
- DC MAGNETIC CONTACTOR FORM 150--5RS
- DC MAGNETIC CONTACTOR FORM 300--5RS
- DC MAGNETIC CONTACTOR FORM 400--5RS
- DC MAGNETIC CONTACTOR FORM 600--5RS
- DC MAGNETIC CONTACTOR FORM 100--3L3A
- DC MAGNETIC CONTACTOR FORM 150--3R3A
- DC MAGNETIC CONTACTOR FORM 400--3R3A
- DC MAGNETIC CONTACTOR TYPE KD 100 AMP
- DC MAGNETIC CONTACTOR TYPE KD 150 AMP
- DC MAGNETIC CONTACTOR TYPE KD 300 AMP

*RELAYS & MASTER SWITCHES*

*INDEX*



# O.C.C.

## Replacement Parts For

# CLARK

### DC MAGNETIC CONTACTOR FORM 300-5RS

| ITM     | OEM         | DESCRIPTION                     | ITM     | OEM       | DESCRIPTION                     |
|---------|-------------|---------------------------------|---------|-----------|---------------------------------|
| 01..... | A18-3504    | Contact (Main-Mov. & Sta.)      | 50..... | A18-9464A | Auxiliary Contact Bar, Moveable |
| 02..... | A18-9383    | Contact Spring-Back Connected   | 51..... | A18-2544  | Aux. Contact Insulator          |
| 03..... | A18-9356A   | Connector                       | 52..... | A18-9477  | Aux. Contact Stud               |
| 04..... | TB-30-1     | Coil                            | 53..... | A18-9483  | Spring                          |
| 04..... | TB-30-2     | Coil, 230V                      | 54..... | A18-2543  | Aux. Contact Base Plate         |
| 04..... | TB-30-4     | Coil, 60 VDC                    | 55..... | A18-2542  | Aux. Contact Plate              |
| 05..... | T-45-210    | Operating Spring                | 56..... | T-7-47    | Coil Terminal Stud              |
| 06..... | A18-9076A   | Mov Contact Support Adj. Screw  | 56..... | T-7-36    | Aux. Stud                       |
| 07..... | A18-21984A  | Arc Shield, Assembly            | 56..... | T-7-150   | Aux. Stud                       |
| 08..... | A18-21378   | Arc Shield Side Plate           |         |           |                                 |
| 09..... | T-38-65     | Arc Shield Washer               |         |           |                                 |
| 10..... | T-7-116     | Arc Shield Stud                 |         |           |                                 |
| 11..... | T-120-187   | Arc Shield Stud                 |         |           |                                 |
| 12..... | A18-21379   | Arc Barrier, Front              |         |           |                                 |
| 13..... | A16-8159    | Arc Barrier, Rear               |         |           |                                 |
| 15..... | A18-5573    | Blowout Ear, R.H.               |         |           |                                 |
| 16..... | A18-5574    | Blowout Ear, L.H.               |         |           |                                 |
| 17..... | A18-23683A  | Blowout Coil Assembly           |         |           |                                 |
| 18..... | A18-23684   | Blowout Coil                    |         |           |                                 |
| 19..... | T-24-95     | Blowout Core                    |         |           |                                 |
| 20..... | T-7-117     | Blowout Core Stud               |         |           |                                 |
| 21..... | T-39-87     | Blowout Core Insulator          |         |           |                                 |
| 22..... | T-38-37     | Blowout Washer                  |         |           |                                 |
| 23..... | A18-23685   | Blowout Stud                    |         |           |                                 |
| 24..... | A18-23687   | Blowout Spacer                  |         |           |                                 |
| 25..... | A18-3516    | Arc Horn, Front                 |         |           |                                 |
| 26..... | A16-6957    | Arc Horn, Rear                  |         |           |                                 |
| 27..... | A18-22649   | Coil Washer                     |         |           |                                 |
| 28..... | A18-66732   | Coil Clamp                      |         |           |                                 |
| 29..... | T-7-47      | Coil Terminal Stud              |         |           |                                 |
| 29..... | T-7-199     | Coil Terminal Stud              |         |           |                                 |
| 30..... | A16-18115   | Connector Stud                  |         |           |                                 |
| 30..... | A16-6950    | Connector Stud                  |         |           |                                 |
| 31..... | A18-23686   | Contact Stud                    |         |           |                                 |
| 32..... | T-104-2     | Contact Screw                   |         |           |                                 |
| 33..... | T-104-2     | Contact Screw                   |         |           |                                 |
| 34..... | A18-10555A  | Core Assembly                   |         |           |                                 |
| 35..... | A18-25373A  | Frame                           |         |           |                                 |
| 36..... | A18-25349A  | Main Arm Assembly               |         |           |                                 |
| 37..... | T-66-3      | Main Arm Pin                    |         |           |                                 |
| 38..... | A18-9491-3  | Main Arm Bushing, Upper         |         |           |                                 |
| 39..... | A18-9474-11 | Main Arm Bushing, Lower         |         |           |                                 |
| 40..... | T-40-23     | Main Arm Bushing, Lower, Brass  |         |           |                                 |
| 41..... | A18-26292A  | Main Contact Support-Back Conn. |         |           |                                 |
| 42..... | A18-5594A   | Mov Contact Support Adj. Screw  |         |           |                                 |
| 43..... | T-115-32    | Mov Contact Support Lock Nut    |         |           |                                 |
| 44..... | A18-22714   | SS Moving Contact Support Pin   |         |           |                                 |
| 45..... | A18-3539    | Stop Plate                      |         |           |                                 |
| 48..... | A18-9109A   | Stationary Control Contact      |         |           |                                 |
| 49..... | A18-9110A   | Stationary Control Contact      |         |           |                                 |

This document utilizes an interactive table of contents to help you jump from one section to another. Click the button to return to the table of contents.

**RETURN TO  
TABLE OF CONTENTS**

#### 106 TYPE B DC MAGNETIC BRAKES

#### CONTACTORS

- DC MAGNETIC CONTACTOR FORM 100--4RD
- DC MAGNETIC CONTACTOR FORM 150--4RD
- DC MAGNETIC CONTACTOR FORM 300--4RD
- DC MAGNETIC CONTACTOR FORM 400--4RD
- DC MAGNETIC CONTACTOR FORM 600--4RD
- DC MAGNETIC CONTACTOR FORM 900--4RD
- DC MAGNETIC CONTACTOR FORM 100--4RT
- DC MAGNETIC CONTACTOR FORM 150--4RT
- DC MAGNETIC CONTACTOR FORM 300--4RT
- DC MAGNETIC CONTACTOR FORM 400--4RT
- DC MAGNETIC CONTACTOR FORM 100--5RS
- DC MAGNETIC CONTACTOR FORM 150--5RS
- DC MAGNETIC CONTACTOR FORM 300--5RS
- DC MAGNETIC CONTACTOR FORM 400--5RS
- DC MAGNETIC CONTACTOR FORM 600--5RS
- DC MAGNETIC CONTACTOR FORM 100--3L3A
- DC MAGNETIC CONTACTOR FORM 150--3R3A
- DC MAGNETIC CONTACTOR FORM 400--3R3A
- DC MAGNETIC CONTACTOR TYPE KD 100 AMP
- DC MAGNETIC CONTACTOR TYPE KD 150 AMP
- DC MAGNETIC CONTACTOR TYPE KD 300 AMP

#### RELAYS & MASTER SWITCHES

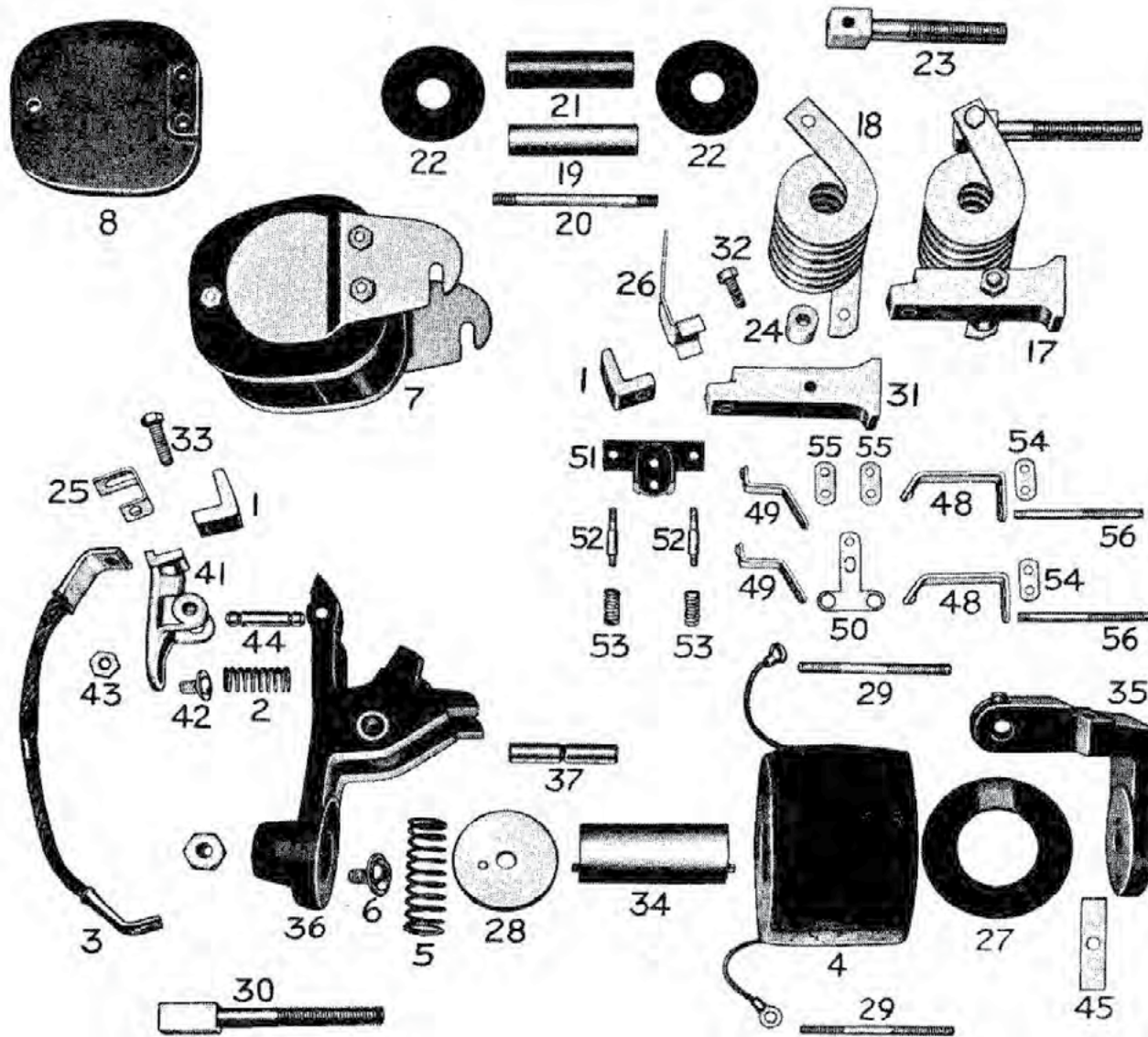
#### INDEX

O.C.C.

Replacement Parts For

CLARK

DC MAGNETIC CONTACTOR FORM 400-5RS



This document utilizes an interactive table of contents to help you jump from one section to another. Click the button to return to the table of contents.

[RETURN TO TABLE OF CONTENTS](#)

106 TYPE B DC MAGNETIC BRAKES

CONTACTORS

- DC MAGNETIC CONTACTOR FORM 100--4RD
- DC MAGNETIC CONTACTOR FORM 150--4RD
- DC MAGNETIC CONTACTOR FORM 300--4RD
- DC MAGNETIC CONTACTOR FORM 400--4RD
- DC MAGNETIC CONTACTOR FORM 600--4RD
- DC MAGNETIC CONTACTOR FORM 900--4RD
- DC MAGNETIC CONTACTOR FORM 100--4RT
- DC MAGNETIC CONTACTOR FORM 150--4RT
- DC MAGNETIC CONTACTOR FORM 300--4RT
- DC MAGNETIC CONTACTOR FORM 400--4RT
- DC MAGNETIC CONTACTOR FORM 100--5RS
- DC MAGNETIC CONTACTOR FORM 150--5RS
- DC MAGNETIC CONTACTOR FORM 300--5RS
- DC MAGNETIC CONTACTOR FORM 400--5RS
- DC MAGNETIC CONTACTOR FORM 600--5RS
- DC MAGNETIC CONTACTOR FORM 100--3L3A
- DC MAGNETIC CONTACTOR FORM 150--3R3A
- DC MAGNETIC CONTACTOR FORM 400--3R3A
- DC MAGNETIC CONTACTOR TYPE KD 100 AMP
- DC MAGNETIC CONTACTOR TYPE KD 150 AMP
- DC MAGNETIC CONTACTOR TYPE KD 300 AMP

RELAYS & MASTER SWITCHES

INDEX

DC MAGNETIC CONTACTOR FORM 400-5RS

| ITM     | OEM         | DESCRIPTION                     | ITM     | OEM     | DESCRIPTION        |
|---------|-------------|---------------------------------|---------|---------|--------------------|
| 01..... | A18-5581    | Contact                         | 56..... | T-7-47  | Coil Terminal Stud |
| 03..... | A18-5558A   | Connector                       | 56..... | T-7-36  | Aux. Stud          |
| 04..... | TB-30-1     | Coil                            | 56..... | T-7-150 | Aux. Stud          |
| 04..... | TB-30-2     | Coil, 230V                      |         |         |                    |
| 04..... | TB-30-4     | Coil, 60 VDC                    |         |         |                    |
| 05..... | T-45-210    | Operating Spring                |         |         |                    |
| 07..... | A18-22028A  | Arc Shield, Assembly            |         |         |                    |
| 08..... | A18-21378   | Arc Shield Side Plate           |         |         |                    |
| 09..... | T-38-65     | Arc Shield Washer               |         |         |                    |
| 10..... | T-7-99      | Arc Shield Stud                 |         |         |                    |
| 11..... | T-120-188   | Arc Shield Stud                 |         |         |                    |
| 12..... | A18-22004   | Arc Barrier, Front              |         |         |                    |
| 13..... | A18-5571    | Arc Barrier, Rear               |         |         |                    |
| 15..... | A18-5573    | Blowout Ear, R.H.               |         |         |                    |
| 16..... | A18-5574    | Blowout Ear, L.H.               |         |         |                    |
| 17..... | A18-23693A  | Blowout Coil, Assembly          |         |         |                    |
| 18..... | A18-23694   | Blowout Coil                    |         |         |                    |
| 19..... | T-24-170    | Blowout Core                    |         |         |                    |
| 20..... | T-7-101     | Blowout Core Stud               |         |         |                    |
| 21..... | T-39-146    | Blowout Core Insulator          |         |         |                    |
| 22..... | T-38-56     | Blowout Washer                  |         |         |                    |
| 23..... | A18-23695   | Blowout Stud                    |         |         |                    |
| 24..... | A18-23697   | Blowout Spacer                  |         |         |                    |
| 25..... | A18-5583    | Arc Horn, Front                 |         |         |                    |
| 26..... | A18-152938  | Arc Horn, Rear                  |         |         |                    |
| 27..... | A18-22649   | Coil Washer                     |         |         |                    |
| 28..... | A18-66732   | Coil Clamp                      |         |         |                    |
| 29..... | T-7-47      | Coil Terminal Stud              |         |         |                    |
| 29..... | T-7-199     | Coil Terminal Stud              |         |         |                    |
| 30..... | A18-5593    | Connector Stud                  |         |         |                    |
| 30..... | A18-24376   | Connector Stud                  |         |         |                    |
| 31..... | A18-23696   | Contact Stud                    |         |         |                    |
| 32..... | T-104-3     | Contact Screw                   |         |         |                    |
| 33..... | T-104-4     | Contact Screw                   |         |         |                    |
| 34..... | A18-10555A  | Core Assembly                   |         |         |                    |
| 36..... | A18-25375A  | Frame                           |         |         |                    |
| 37..... | T-66-4      | Main Arm Pin                    |         |         |                    |
| 38..... | A18-9474-6  | Main Arm Bushing, Upper         |         |         |                    |
| 39..... | A18-9474-12 | Main Arm Bushing, Lower         |         |         |                    |
| 40..... | T-40-24     | Main Arm Bushing, Lower, Brass  |         |         |                    |
| 41..... | A18-26294A  | Main Contact Support-Back Conn. |         |         |                    |
| 42..... | A18-5594A   | Mov Contact Support Adj. Screw  |         |         |                    |
| 43..... | T-115-32    | Mov Contact Support Lock Nut    |         |         |                    |
| 44..... | A18-24297   | Moving Contact Support Pin      |         |         |                    |
| 50..... | A18-9464A   | Auxiliary Contact Bar, Moveable |         |         |                    |
| 51..... | A18-5586    | Aux. Contact Insulator          |         |         |                    |
| 52..... | A18-9477    | Aux. Contact Stud               |         |         |                    |
| 53..... | A18-9483    | Spring                          |         |         |                    |
| 54..... | A18-2543    | Aux. Contact Base Plate         |         |         |                    |
| 55..... | A18-2542    | Aux. Contact Plate              |         |         |                    |

This document utilizes an interactive table of contents to help you jump from one section to another. Click the button to return to the table of contents.

**RETURN TO TABLE OF CONTENTS**

106 TYPE B DC MAGNETIC BRAKES

CONTACTORS

- DC MAGNETIC CONTACTOR FORM 100--4RD
- DC MAGNETIC CONTACTOR FORM 150--4RD
- DC MAGNETIC CONTACTOR FORM 300--4RD
- DC MAGNETIC CONTACTOR FORM 400--4RD
- DC MAGNETIC CONTACTOR FORM 600--4RD
- DC MAGNETIC CONTACTOR FORM 900--4RD
- DC MAGNETIC CONTACTOR FORM 100--4RT
- DC MAGNETIC CONTACTOR FORM 150--4RT
- DC MAGNETIC CONTACTOR FORM 300--4RT
- DC MAGNETIC CONTACTOR FORM 400--4RT
- DC MAGNETIC CONTACTOR FORM 100--5RS
- DC MAGNETIC CONTACTOR FORM 150--5RS
- DC MAGNETIC CONTACTOR FORM 300--5RS
- DC MAGNETIC CONTACTOR FORM 400--5RS
- DC MAGNETIC CONTACTOR FORM 600--5RS
- DC MAGNETIC CONTACTOR FORM 100--3L3A
- DC MAGNETIC CONTACTOR FORM 150--3R3A
- DC MAGNETIC CONTACTOR FORM 400--3R3A
- DC MAGNETIC CONTACTOR TYPE KD 100 AMP
- DC MAGNETIC CONTACTOR TYPE KD 150 AMP
- DC MAGNETIC CONTACTOR TYPE KD 300 AMP

RELAYS & MASTER SWITCHES

INDEX

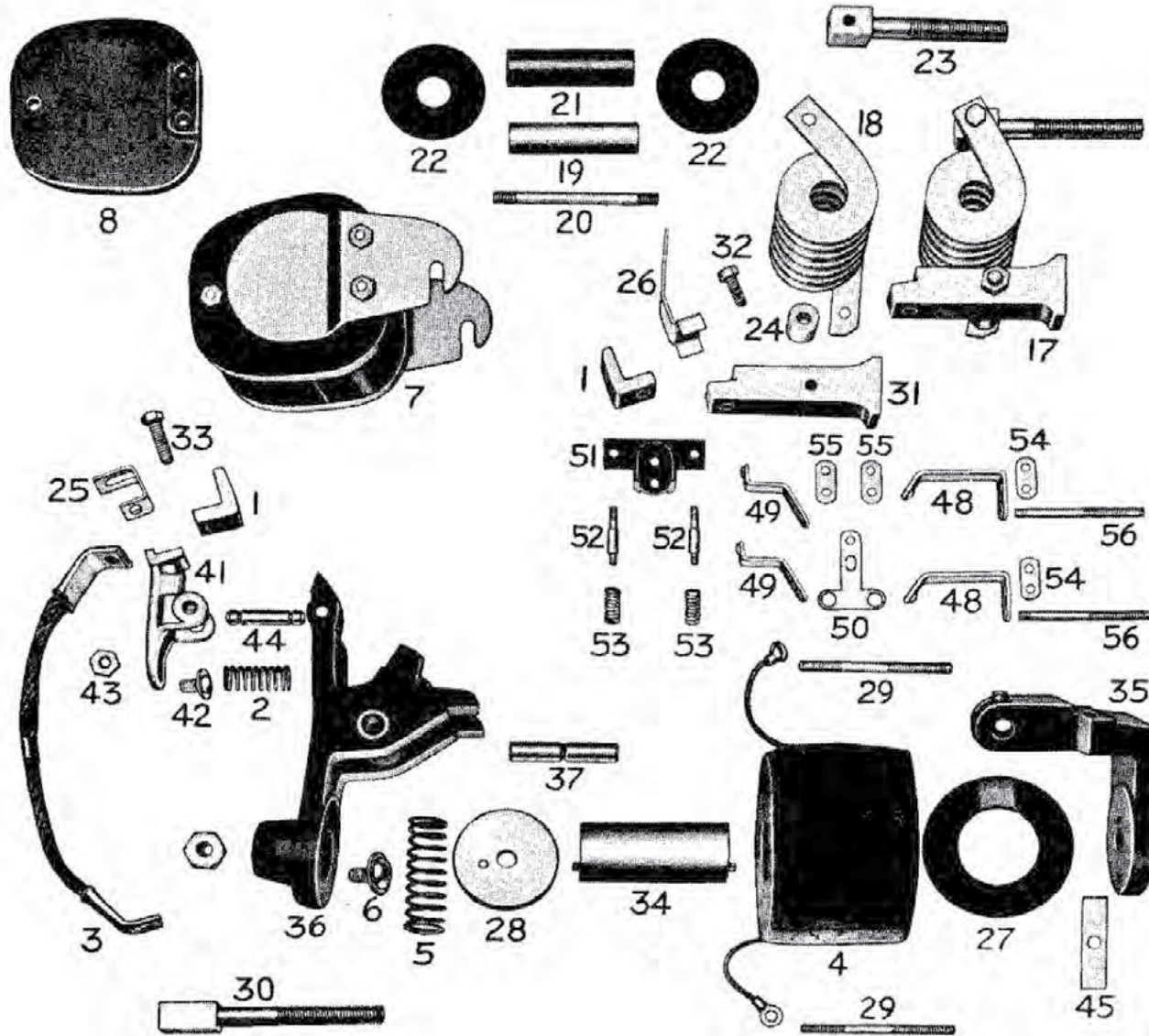


O.C.C.

Replacement Parts For

CLARK

DC MAGNETIC CONTACTOR FORM 600-5RS



This document utilizes an interactive table of contents to help you jump from one section to another. Click the button to return to the table of contents.

**RETURN TO  
TABLE OF CONTENTS**

*106 TYPE B DC MAGNETIC BRAKES*

*CONTACTORS*

- DC MAGNETIC CONTACTOR FORM 100--4RD
- DC MAGNETIC CONTACTOR FORM 150--4RD
- DC MAGNETIC CONTACTOR FORM 300--4RD
- DC MAGNETIC CONTACTOR FORM 400--4RD
- DC MAGNETIC CONTACTOR FORM 600--4RD
- DC MAGNETIC CONTACTOR FORM 900--4RD
- DC MAGNETIC CONTACTOR FORM 100--4RT
- DC MAGNETIC CONTACTOR FORM 150--4RT
- DC MAGNETIC CONTACTOR FORM 300--4RT
- DC MAGNETIC CONTACTOR FORM 400--4RT
- DC MAGNETIC CONTACTOR FORM 100--5RS
- DC MAGNETIC CONTACTOR FORM 150--5RS
- DC MAGNETIC CONTACTOR FORM 300--5RS
- DC MAGNETIC CONTACTOR FORM 400--5RS
- DC MAGNETIC CONTACTOR FORM 600--5RS
- DC MAGNETIC CONTACTOR FORM 100--3L3A
- DC MAGNETIC CONTACTOR FORM 150--3R3A
- DC MAGNETIC CONTACTOR FORM 400--3R3A
- DC MAGNETIC CONTACTOR TYPE KD 100 AMP
- DC MAGNETIC CONTACTOR TYPE KD 150 AMP
- DC MAGNETIC CONTACTOR TYPE KD 300 AMP

*RELAYS & MASTER SWITCHES*

*INDEX*

# O.C.C.

## Replacement Parts For

# CLARK

### DC MAGNETIC CONTACTOR FORM 600-5RS

| ITM       | OEM         | DESCRIPTION                     | ITM     | OEM        | DESCRIPTION               |
|-----------|-------------|---------------------------------|---------|------------|---------------------------|
| 01.....   | A18-9091    | Contact                         | 54..... | A13-26615  | Base Plate                |
| 03.....   | A18-9060A   | Shunt                           | 55..... | A18-2542   | Aux. Contact Plate        |
| 04.....   | TB-166-1    | Encapsulated Coil, 230 VDC      | 56..... | T-7-47     | Coil Terminal Stud        |
| 04.....   | TB-66-4     | Coil, 230VDC Continuous         | 56..... | T-7-36     | Aux. Stud                 |
| 04.....   | TB-166-2    | Coil, 115VDC                    | 57..... | T-7-150    | Aux. Stud                 |
| 05.....   | A18-22999   | Operating Spring                | 57..... | A74-408572 | Nema 6 N.C.S.P. Contactor |
| 06.....   | A18-22993A  | Operating Spring Adj, Screw     |         |            |                           |
| 07.....   | A18-22029A  | Arc Shield, Assembly            |         |            |                           |
| 08.....   | A18-21380   | Arc Shield Side Plate           |         |            |                           |
| 09.....   | T-38-66     | Arc Shield Washer               |         |            |                           |
| 10.....   | T-7-148     | Arc Shield Stud                 |         |            |                           |
| 11.....   | T-7-149     | Arc Shield Stud                 |         |            |                           |
| 12.....   | A18-21381   | Arc Barrier, Front              |         |            |                           |
| 15.....   | A18-9012    | Blowout Ear R. H.               |         |            |                           |
| 16.....   | A18-9101    | Blowout Ear, L.H.               |         |            |                           |
| 17.....   | A18-9121A   | Blowout Coil, Assembly          |         |            |                           |
| 17a ..... | A74-257318A | Blowout Coil Assy, Frt. Con.    |         |            |                           |
| 18.....   | A18-9090    | Blowout Coil                    |         |            |                           |
| 19.....   | A18-9079    | Blowout Core                    |         |            |                           |
| 21.....   | T-39-92     | Blowout Core Insulator          |         |            |                           |
| 22.....   | T-38-42     | Blowout Washer                  |         |            |                           |
| 23.....   | A18-9093    | Blowout Stud                    |         |            |                           |
| 25.....   | A18-9099    | Arc Horn, Front                 |         |            |                           |
| 26.....   | A18-9098    | Arc Horn, Rear                  |         |            |                           |
| 27.....   | A18-27618   | Coil Washer                     |         |            |                           |
| 28.....   | A18-22996   | Coil Clamp                      |         |            |                           |
| 29.....   | T-7-47      | Coil Terminal Stud              |         |            |                           |
| 29.....   | T-7-199     | Coil Terminal Stud              |         |            |                           |
| 30.....   | A18-9092    | Connector Stud                  |         |            |                           |
| 30a ..... | A74-239877A | Connector Terminal (Front)      |         |            |                           |
| 31.....   | A18-9085    | Contact Stud                    |         |            |                           |
| 32.....   | T-104-5     | Contact Screw                   |         |            |                           |
| 33.....   | T-104-6     | Contact Screw                   |         |            |                           |
| 34.....   | A18-22994A  | Core Assem                      |         |            |                           |
| 35.....   | A18-22991   | Frame                           |         |            |                           |
| 36.....   | A18-22989A  | Main Arm Assembly               |         |            |                           |
| 37.....   | A74-413282  | Stainless Steel Main Arm Pin    |         |            |                           |
| 37a ..... | A74-413277  | Spring Clip                     |         |            |                           |
| 38.....   | A18-9491-4  | Main Arm Bushing, Upper         |         |            |                           |
| 39.....   | A18-9474-14 | Main Arm Bushing, Lower         |         |            |                           |
| 40.....   | T-40-26     | Main Arm Bushing                |         |            |                           |
| 41.....   | A74-419607A | Moving Contact Support          |         |            |                           |
| 42.....   | A18-9076A   | Mov Contact Support Adj. Screw  |         |            |                           |
| 44.....   | A74-413296  | SS Moving Contact Support Pin   |         |            |                           |
| 45.....   | A18-22997   | Stop Plate                      |         |            |                           |
| 48.....   | A18-22986A  | Contact                         |         |            |                           |
| 49.....   | A18-22987A  | Aux. Contact (C.T. Sta.)        |         |            |                           |
| 50.....   | A18-9464A   | Auxiliary Contact Bar, Moveable |         |            |                           |
| 51.....   | A74-408570  | Aux, Contact Insulator          |         |            |                           |
| 52.....   | A18-9477    | Aux. Contact Stud               |         |            |                           |
| 53.....   | A18-9483    | Spring                          |         |            |                           |

This document utilizes an interactive table of contents to help you jump from one section to another. Click the button to return to the table of contents.

**RETURN TO  
TABLE OF CONTENTS**

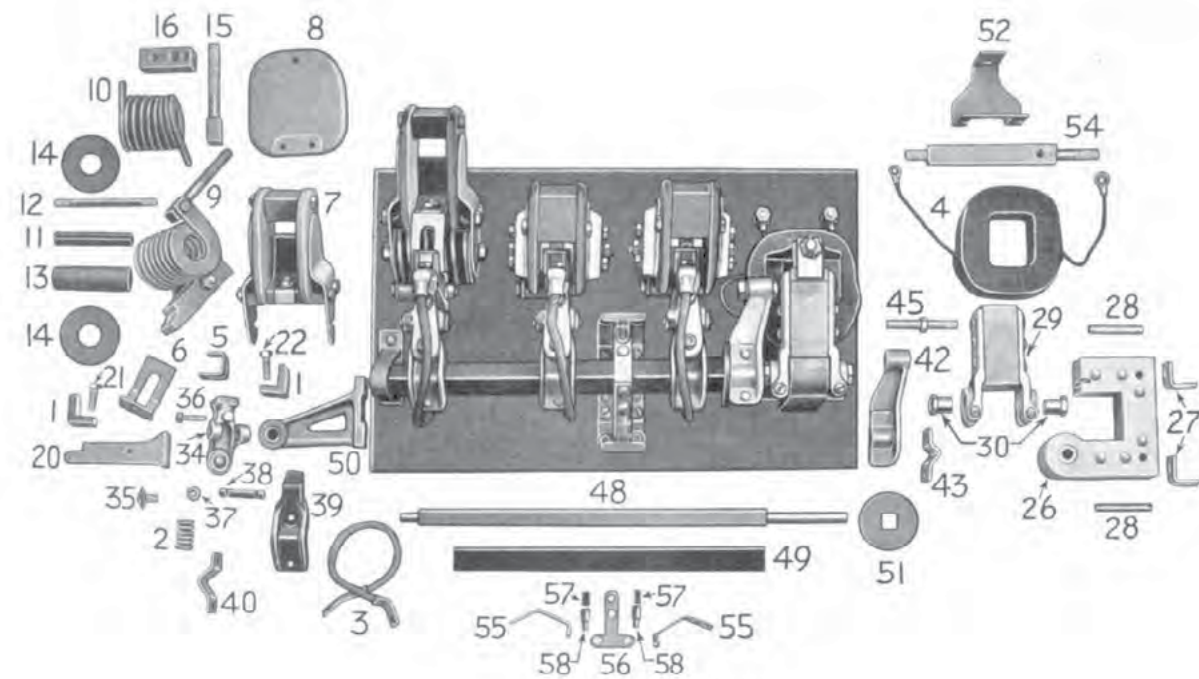
#### 106 TYPE B DC MAGNETIC BRAKES

#### CONTACTORS

- DC MAGNETIC CONTACTOR FORM 100--4RD
- DC MAGNETIC CONTACTOR FORM 150--4RD
- DC MAGNETIC CONTACTOR FORM 300--4RD
- DC MAGNETIC CONTACTOR FORM 400--4RD
- DC MAGNETIC CONTACTOR FORM 600--4RD
- DC MAGNETIC CONTACTOR FORM 900--4RD
- DC MAGNETIC CONTACTOR FORM 100--4RT
- DC MAGNETIC CONTACTOR FORM 150--4RT
- DC MAGNETIC CONTACTOR FORM 300--4RT
- DC MAGNETIC CONTACTOR FORM 400--4RT
- DC MAGNETIC CONTACTOR FORM 100--5RS
- DC MAGNETIC CONTACTOR FORM 150--5RS
- DC MAGNETIC CONTACTOR FORM 300--5RS
- DC MAGNETIC CONTACTOR FORM 400--5RS
- DC MAGNETIC CONTACTOR FORM 600--5RS
- DC MAGNETIC CONTACTOR FORM 100--3L3A
- DC MAGNETIC CONTACTOR FORM 150--3R3A
- DC MAGNETIC CONTACTOR FORM 400--3R3A
- DC MAGNETIC CONTACTOR TYPE KD 100 AMP
- DC MAGNETIC CONTACTOR TYPE KD 150 AMP
- DC MAGNETIC CONTACTOR TYPE KD 300 AMP

#### RELAYS & MASTER SWITCHES

#### INDEX



### D.C. MAGNETIC CONTACTOR FORM 100-3L3A

| ITM | OEM        | DESCRIPTION                   | ITM | OEM        | DESCRIPTION                    |
|-----|------------|-------------------------------|-----|------------|--------------------------------|
| 01  | A16-1936   | Contact (Main-Mov. & Sta.)    | 34  | A16-18890A | Moving Contact Support         |
| 02  | A77-20545  | Contact Spring                | 35  | A18-5065A  | Mov Contact Support Adj Screw  |
| 03  | A16-8113A  | Connector                     | 36  | T-159-1    | Mov Contact Support Stop Screw |
| 07  | A18-4950A  | Arc Shield Assembly           | 38  | T-37-36    | Moving Cont. Sup. Pin          |
| 08a | A18-4972   | Arc Shield Side Plate, RH     | 39  | A16-31753  | Main Contact Arm               |
| 08b | A18-4973   | Arc Shield Side Plate, LH     | 40  | A16-1939   | Main Contact Arm Clamp         |
| 09  | A16-92608A | B/O Coil Assembly             | 42  | A16-1940   | Operating Arm                  |
| 10  | A16-31756  | B/O Coil                      | 43  | A16-1941   | Operating Arm Clamp            |
| 11  | A16-1947   | Blowout Core                  | 45  | A16-1957   | Operating Stud                 |
| 12  | T-120-201  | Blowout Core Stud             | 48  | TB-5-2     | Shaft, 2 Pole                  |
| 13  | T-39-24    | Blowout Core Insulator        | 48  | TB-5-3     | Shaft, 3 Pole                  |
| 14  | A16-1950   | Blowout Washer                | 49  | TB-4-2     | Shaft Insulator, 2 Pole        |
| 15  | A16-31758  | Blowout Stud, Back Connected  | 49  | TB-4-3     | Shaft Insulator, 3 Pole        |
| 15  | A16-31765  | Blowout Stud, Front Connected | 50  | A16-1934   | Shaft Bearing                  |
| 20  | A16-31757  | Contact Stud                  | 51  | A16-1964   | Shaft Spacer                   |
| 21  | T-132-21   | Contact Screw                 | 52  | A16-1969   | Shading Coil, 60 Cycle         |
| 22  | T-121-13   | Contact Screw                 | 52  | A16-1970   | Shading Coil, 25 Cycle         |
| 26  | A16-1929A  | Magnet Core                   | 54  | A16-1960   | Stop Stud, 1-1/4" Slate        |
| 27  | A16-1951   | Magnet Core Mounting Angle    | 55  | A16-10263A | Stationary Tip                 |
| 28  | T-51-2     | Magnet Core Pin               | 56  | A16-10265A | Movable Contact                |
| 29  | A16-1930A  | Magnet Arm                    | 57  | T-45-24    | Aux. Contact Spring            |
| 30  | A16-1952   | Magnet Arm Adj. Bushing       | 58  | T-5-1      | Aux. Contact Spring Stud       |

This document utilizes an interactive table of contents to help you jump from one section to another. Click the button to return to the table of contents.

**RETURN TO  
TABLE OF CONTENTS**

#### 106 TYPE B DC MAGNETIC BRAKES

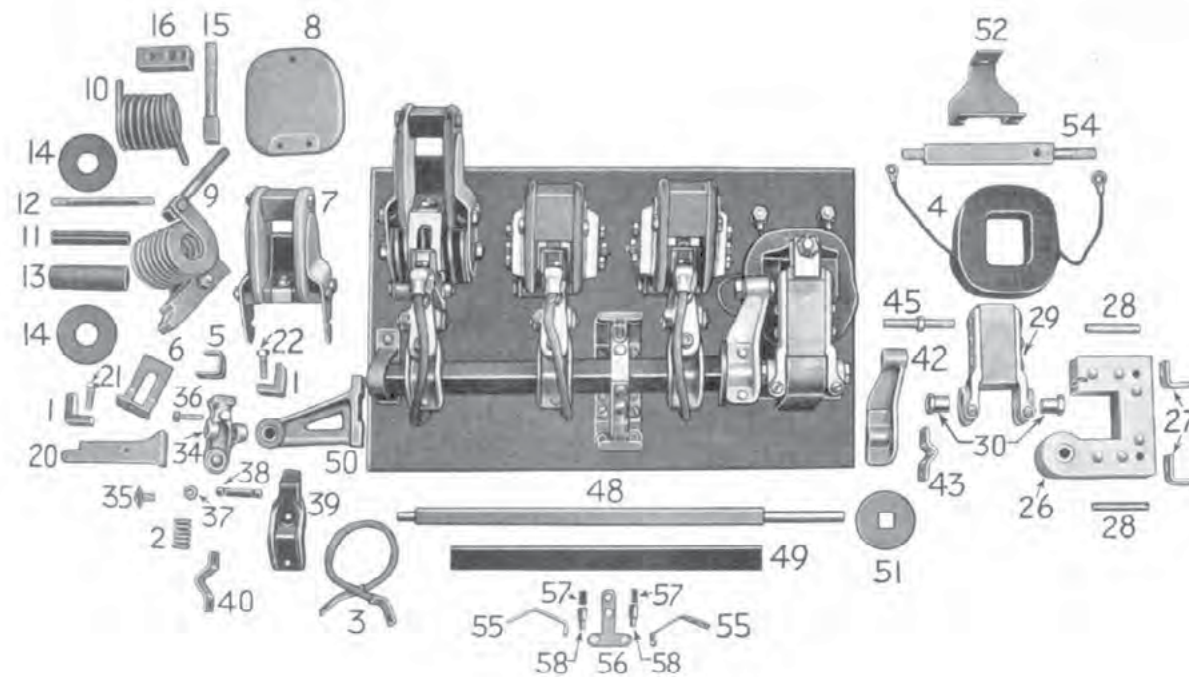
#### CONTACTORS

- DC MAGNETIC CONTACTOR FORM 100--4RD
- DC MAGNETIC CONTACTOR FORM 150--4RD
- DC MAGNETIC CONTACTOR FORM 300--4RD
- DC MAGNETIC CONTACTOR FORM 400--4RD
- DC MAGNETIC CONTACTOR FORM 600--4RD
- DC MAGNETIC CONTACTOR FORM 900--4RD
- DC MAGNETIC CONTACTOR FORM 100--4RT
- DC MAGNETIC CONTACTOR FORM 150--4RT
- DC MAGNETIC CONTACTOR FORM 300--4RT
- DC MAGNETIC CONTACTOR FORM 400--4RT
- DC MAGNETIC CONTACTOR FORM 100--5RS
- DC MAGNETIC CONTACTOR FORM 150--5RS
- DC MAGNETIC CONTACTOR FORM 300--5RS
- DC MAGNETIC CONTACTOR FORM 400--5RS
- DC MAGNETIC CONTACTOR FORM 600--5RS
- DC MAGNETIC CONTACTOR FORM 100--3L3A
- DC MAGNETIC CONTACTOR FORM 150--3R3A
- DC MAGNETIC CONTACTOR FORM 400--3R3A
- DC MAGNETIC CONTACTOR TYPE KD 100 AMP
- DC MAGNETIC CONTACTOR TYPE KD 150 AMP
- DC MAGNETIC CONTACTOR TYPE KD 300 AMP

#### RELAYS & MASTER SWITCHES

#### INDEX





**D.C. MAGNETIC CONTACTOR FORM 150-3R3A**

| Itm | OEM         | DESCRIPTION                    | Itm | OEM           | DESCRIPTION                     |
|-----|-------------|--------------------------------|-----|---------------|---------------------------------|
| 01  | A16-7980    | Contact                        | 34  | A16-30548A    | Moving Contact Support          |
| 02  | A16-8009    | Contact Spring                 | 35  | A16-7981A     | Adjusting Screw                 |
| 03  | A16-7966A   | Connector                      | 36  | T-16-30546    | Moving Cont. Sup. Stop Screw    |
| 06  | A16-8007    | Arc Horn, Rear                 | 37  | A18-9469      | Mov Contact Support Lock Nut    |
| 07  | A16-7965A   | Arc Shield Assembly            | 38  | A18-24296     | Moving Contact Support Pin      |
| 08  | A18-3514    | Arc Shield Side Plate          | 39  | A16-30563A    | Main Contact Arm                |
| 09  | A16-100636A | B/O Coil Assy, Back Connected  | 40  | A16-7975      | Main Contact Arm Clamp          |
| 09  | A16-30558A  | B/O Coil Assy, Front Connected | 42  | A16-13681     | Operating Arm                   |
| 10  | A16-30549   | Blowout Coil                   | 43  | A16-7977      | Operating Arm Clamp             |
| 11  | A16-8003    | Blowout Core                   | 45  | A16-7978      | Operating Stud                  |
| 12  | T-7-123     | Blowout Core Stud              | 48  | TB-5-14       | Shaft, 2 Pole                   |
| 13  | T-39-79     | Blowout Core Insulator         | 48  | TB-5-15       | Shaft, 3 pole                   |
| 14  | T-38-36     | Blowout Washer                 | 49  | A77-117246A-2 | Shaft Insulator, 2 Pole         |
| 15  | A18-23690   | Blowout Stud                   | 49  | A77-117246A-3 | Shaft Insulator, 3 Pole         |
| 16  | A16-30557   | Blowout Terminal               | 50  | A16-13411A    | Shaft Bearing                   |
| 20  | A18-23691   | Contact Stud                   | 51  | A16-8161      | Shaft Spacer                    |
| 21  | T-104-1     | Contact Screw                  | 52  | A16-8011A     | Shading Coil, 60 Cycle          |
| 22  | T-104-1     | Contact Screw                  | 53  | A16-8012A     | Shading Coil, 25 Cycle          |
| 26  | A16-7967A   | Magnet Core                    | 54  | A16-7993      | Stop Stud, 1-1/4" Slate         |
| 27  | A16-7989    | Magnet Core Mounting Angle     | 55  | A16-10264A    | Aux. Contact Stationary         |
| 28  | T-37-43     | Magnet Core Pin                | 56  | A18-9464A     | Auxiliary Contact Bar, Moveable |
| 29  | A16-7968A   | Magnet Arm                     | 57  | T-45-38       | Aux. Contact Spring             |
| 30  | A16-7982    | Magnet Arm Adjusting Bushing   | 58  | T-13-1        | Aux. Contact Spring Stud        |

This document utilizes an interactive table of contents to help you jump from one section to another. Click the button to return to the table of contents.

**RETURN TO TABLE OF CONTENTS**

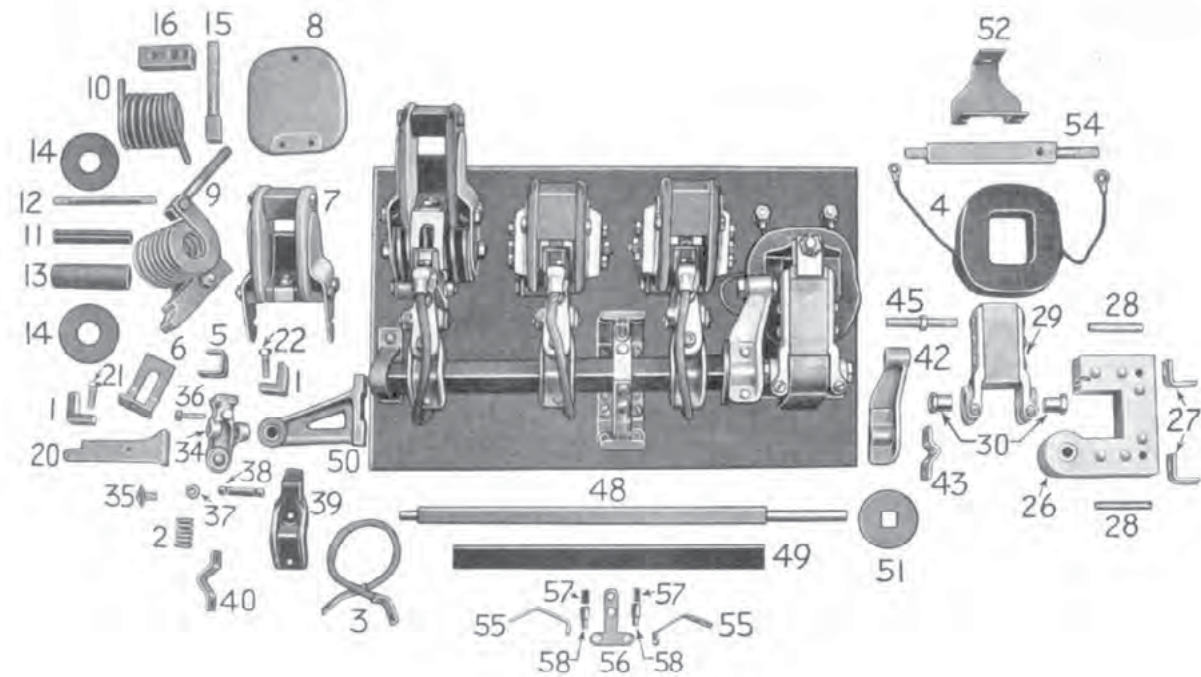
*106 TYPE B DC MAGNETIC BRAKES*

*CONTACTORS*

- DC MAGNETIC CONTACTOR FORM 100--4RD
- DC MAGNETIC CONTACTOR FORM 150--4RD
- DC MAGNETIC CONTACTOR FORM 300--4RD
- DC MAGNETIC CONTACTOR FORM 400--4RD
- DC MAGNETIC CONTACTOR FORM 600--4RD
- DC MAGNETIC CONTACTOR FORM 900--4RD
- DC MAGNETIC CONTACTOR FORM 100--4RT
- DC MAGNETIC CONTACTOR FORM 150--4RT
- DC MAGNETIC CONTACTOR FORM 300--4RT
- DC MAGNETIC CONTACTOR FORM 400--4RT
- DC MAGNETIC CONTACTOR FORM 100--5RS
- DC MAGNETIC CONTACTOR FORM 150--5RS
- DC MAGNETIC CONTACTOR FORM 300--5RS
- DC MAGNETIC CONTACTOR FORM 400--5RS
- DC MAGNETIC CONTACTOR FORM 600--5RS
- DC MAGNETIC CONTACTOR FORM 100--3L3A
- DC MAGNETIC CONTACTOR FORM 150--3R3A
- DC MAGNETIC CONTACTOR FORM 400--3R3A
- DC MAGNETIC CONTACTOR TYPE KD 100 AMP
- DC MAGNETIC CONTACTOR TYPE KD 150 AMP
- DC MAGNETIC CONTACTOR TYPE KD 300 AMP

*RELAYS & MASTER SWITCHES*

*INDEX*



**D.C. MAGNETIC CONTACTOR FORM 400-3R3A**

| Item OEM          | DESCRIPTION                   | Item OEM          | DESCRIPTION                    |
|-------------------|-------------------------------|-------------------|--------------------------------|
| 01.....A16-1936   | Contact (Main-Mov. & Sta.)    | 34.....A16-18890A | Moving Contact Support         |
| 02.....A77-20545  | Contact Spring                | 35.....A18-5065A  | Mov Contact Support Adj Screw  |
| 03.....A16-8113A  | Connector                     | 36.....T-159-1    | Mov Contact Support Stop Screw |
| 07.....A18-4950A  | Arc Shield Assembly           | 38.....T-37-36    | Moving Cont. Sup. Pin          |
| 08a.....A18-4972  | Arc Shield Side Plate, RH     | 39.....A16-31753  | Main Contact Arm               |
| 08b.....A18-4973  | Arc Shield Side Plate, LH     | 40.....A16-1939   | Main Contact Arm Clamp         |
| 09.....A16-92608A | B/O Coil Assembly             | 42.....A16-1940   | Operating Arm                  |
| 10.....A16-31756  | B/O Coil                      | 43.....A16-1941   | Operating Arm Clamp            |
| 11.....A16-1947   | Blowout Core                  | 45.....A16-1957   | Operating Stud                 |
| 12.....T-120-201  | Blowout Core Stud             | 48.....TB-5-2     | Shaft, 2 Pole                  |
| 13.....T-39-24    | Blowout Core Insulator        | 48.....TB-5-3     | Shaft, 3 Pole                  |
| 14.....A16-1950   | Blowout Washer                | 49.....TB-4-2     | Shaft Insulator, 2 Pole        |
| 15.....A16-31758  | Blowout Stud, Back Connected  | 49.....TB-4-3     | Shaft Insulator, 3 Pole        |
| 15.....A16-31765  | Blowout Stud, Front Connected | 50.....A16-1934   | Shaft Bearing                  |
| 20.....A16-31757  | Contact Stud                  | 51.....A16-1964   | Shaft Spacer                   |
| 21.....T-132-21   | Contact Screw                 | 52.....A16-1969   | Shading Coil, 60 Cycle         |
| 22.....T-121-13   | Contact Screw                 | 52.....A16-1970   | Shading Coil, 25 Cycle         |
| 26.....A16-1929A  | Magnet Core                   | 54.....A16-1960   | Stop Stud, 1-1/4" Slate        |
| 27.....A16-1951   | Magnet Core Mounting Angle    | 55.....A16-10263A | Stationary Tip                 |
| 28.....T-51-2     | Magnet Core Pin               | 56.....A16-10265A | Movable Contact                |
| 29.....A16-1930A  | Magnet Arm                    | 57.....T-45-24    | Aux. Contact Spring            |
| 30.....A16-1952   | Magnet Arm Adj. Bushing       | 58.....T-5-1      | Aux. Contact Spring Stud       |

This document utilizes an interactive table of contents to help you jump from one section to another. Click the button to return to the table of contents.

**RETURN TO TABLE OF CONTENTS**

*106 TYPE B DC MAGNETIC BRAKES*

*CONTACTORS*

- DC MAGNETIC CONTACTOR FORM 100--4RD
- DC MAGNETIC CONTACTOR FORM 150--4RD
- DC MAGNETIC CONTACTOR FORM 300--4RD
- DC MAGNETIC CONTACTOR FORM 400--4RD
- DC MAGNETIC CONTACTOR FORM 600--4RD
- DC MAGNETIC CONTACTOR FORM 900--4RD
- DC MAGNETIC CONTACTOR FORM 100--4RT
- DC MAGNETIC CONTACTOR FORM 150--4RT
- DC MAGNETIC CONTACTOR FORM 300--4RT
- DC MAGNETIC CONTACTOR FORM 400--4RT
- DC MAGNETIC CONTACTOR FORM 100--5RS
- DC MAGNETIC CONTACTOR FORM 150--5RS
- DC MAGNETIC CONTACTOR FORM 300--5RS
- DC MAGNETIC CONTACTOR FORM 400--5RS
- DC MAGNETIC CONTACTOR FORM 600--5RS
- DC MAGNETIC CONTACTOR FORM 100--3L3A
- DC MAGNETIC CONTACTOR FORM 150--3R3A
- DC MAGNETIC CONTACTOR FORM 400--3R3A
- DC MAGNETIC CONTACTOR TYPE KD 100 AMP
- DC MAGNETIC CONTACTOR TYPE KD 150 AMP
- DC MAGNETIC CONTACTOR TYPE KD 300 AMP

*RELAYS & MASTER SWITCHES*

*INDEX*

# O.C.C. Replacement Parts For CLARK

## D.C. Magnetic Contactor, Type KD 100 Amp

This document utilizes an interactive table of contents to help you jump from one section to another. Click the button to return to the table of contents.

**RETURN TO TABLE OF CONTENTS**

### 106 TYPE B DC MAGNETIC BRAKES CONTACTORS

- DC MAGNETIC CONTACTOR FORM 100--4RD
- DC MAGNETIC CONTACTOR FORM 150--4RD
- DC MAGNETIC CONTACTOR FORM 300--4RD
- DC MAGNETIC CONTACTOR FORM 400--4RD
- DC MAGNETIC CONTACTOR FORM 600--4RD
- DC MAGNETIC CONTACTOR FORM 900--4RD
- DC MAGNETIC CONTACTOR FORM 100--4RT
- DC MAGNETIC CONTACTOR FORM 150--4RT
- DC MAGNETIC CONTACTOR FORM 300--4RT
- DC MAGNETIC CONTACTOR FORM 400--4RT
- DC MAGNETIC CONTACTOR FORM 100--5RS
- DC MAGNETIC CONTACTOR FORM 150--5RS
- DC MAGNETIC CONTACTOR FORM 300--5RS
- DC MAGNETIC CONTACTOR FORM 400--5RS
- DC MAGNETIC CONTACTOR FORM 600--5RS
- DC MAGNETIC CONTACTOR FORM 100--3L3A
- DC MAGNETIC CONTACTOR FORM 150--3R3A
- DC MAGNETIC CONTACTOR FORM 400--3R3A
- DC MAGNETIC CONTACTOR TYPE KD 100 AMP
- DC MAGNETIC CONTACTOR TYPE KD 150 AMP
- DC MAGNETIC CONTACTOR TYPE KD 300 AMP

### RELAYS & MASTER SWITCHES

### INDEX

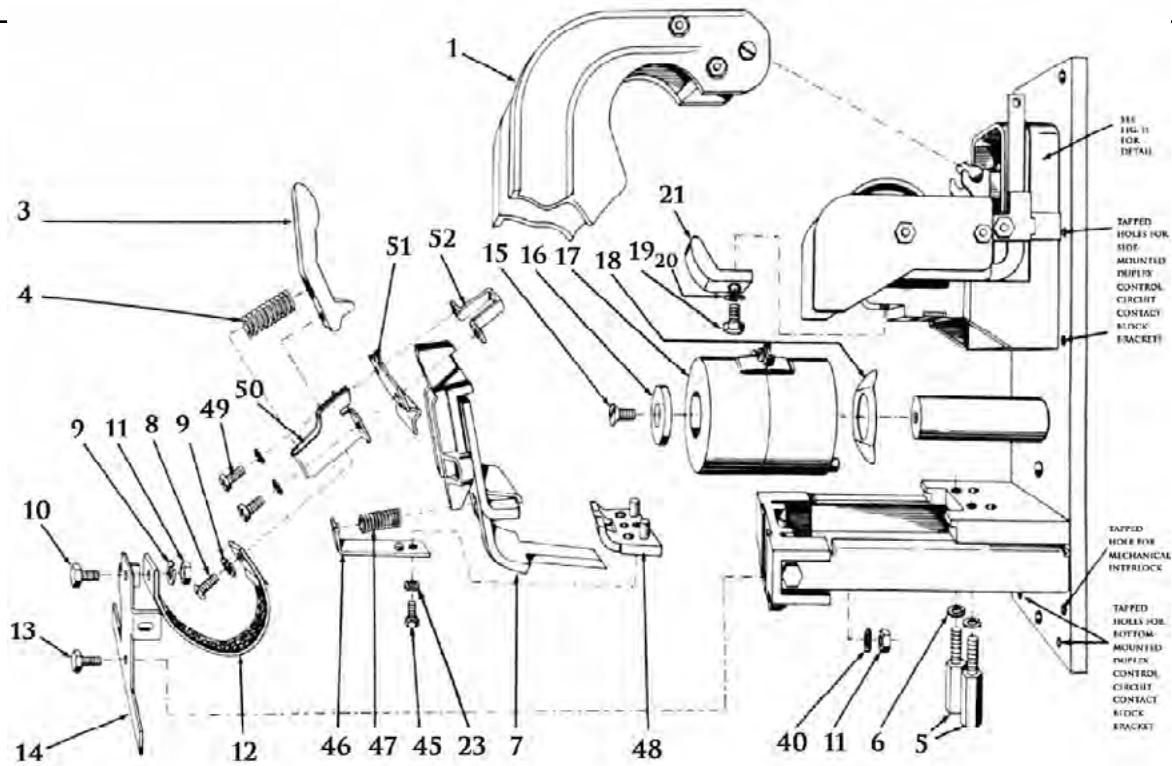
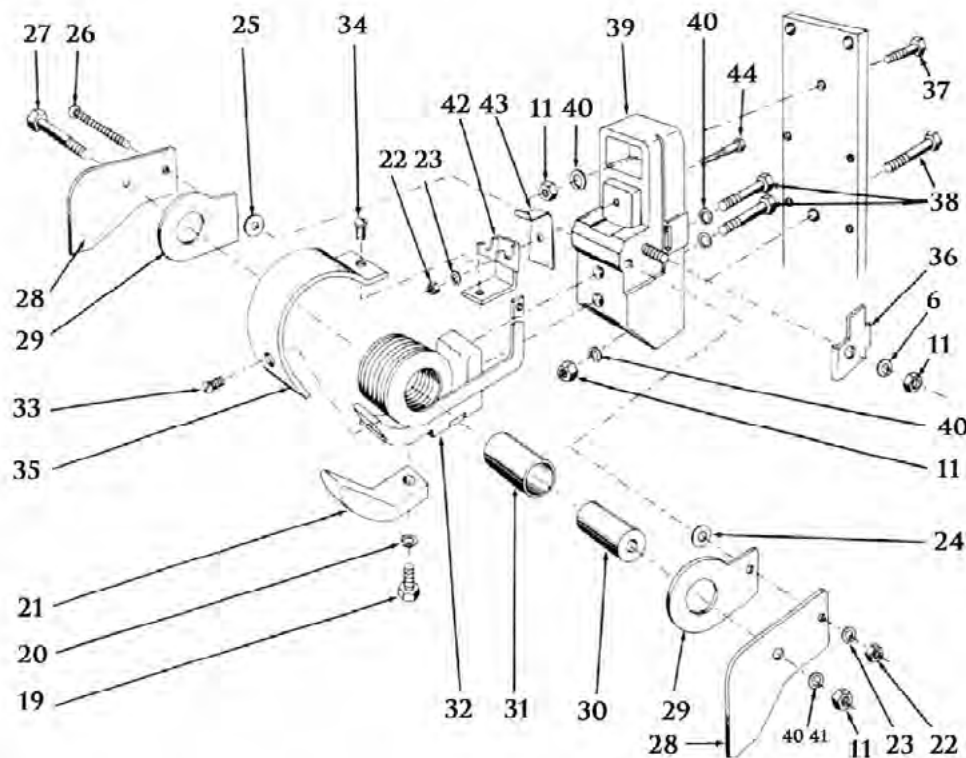


FIG. 10 EXPLODED VIEW, ARMATURE, COIL - ARC SHIELD ASSEMBLY





# O.C.C.

# Replacement Parts For

# CLARK

## D.C. MAGNETIC CONTACTOR TYPE KD 100 AMP

| ITM     | OEM          | DESCRIPTION                   | ITM     | OEM          | DESCRIPTION             |
|---------|--------------|-------------------------------|---------|--------------|-------------------------|
| 01..... | KKD-101      | Assemb. Arc Shield            | 45..... | T-121-244    | Stl. Hex Head Screw     |
| 02..... | KKD-100      | Contact Kit                   | 46..... | A74-243832   | Spring Retainer         |
| 03..... | B74-243831   | Contact                       | 47..... | A74-243833   | Spring                  |
| 04..... | KKD-102      | Movable Contact Spring (only) | 48..... | A74-243835-A | Pivot Support Assembly  |
| 04..... | A74-253067-3 | Contact Spring                | 49..... | T-132-20     | Stl. Fil. Head Screw    |
| 05..... | A74-243825-1 | Shoulder Bolt                 | 50..... | A74-243841-1 | Contact Spring Retainer |
| 06..... | T-155-14     | Washer                        | 51..... | B74-243843-1 | Pivot Plate             |
| 07..... | B74-243844-A | Armature Molding Assembly     | 52..... | A74-243842   | Clamp                   |
| 08..... | T-121-8      | Slotted Hex Head Screw        |         |              |                         |
| 09..... | T-155-11     | Thin Spring Lockwasher        |         |              |                         |
| 10..... | T-121-13     | Contact Screw                 |         |              |                         |
| 11..... | T-115-25     | Hex Nut                       |         |              |                         |
| 12..... | KKD-104      | Flexible Connector Kit        |         |              |                         |
| 12..... | A74-253067-5 | Connector Kit                 |         |              |                         |
| 13..... | T-121-12     | Hex Head Screw                |         |              |                         |
| 14..... | A74-243824-1 | Front Connector Plate         |         |              |                         |
| 15..... | T-122-61     | Coil Retainer Screw           |         |              |                         |
| 16..... | A74-243823-A | Coil Retainer                 |         |              |                         |
| 17..... | TB-109-1     | Encapsulated Coil 240 VDC     |         |              |                         |
| 17..... | TB-109-2     | Coil 120V DC                  |         |              |                         |
| 17..... | TB-109-7     | Coil 95V DC                   |         |              |                         |
| 17..... | TB-109-9     | Coil, 24 VDC                  |         |              |                         |
| 18..... | A74-243820   | Coil Spring Washer            |         |              |                         |
| 19..... | A74-244395   | Stationary Contact Screw      |         |              |                         |
| 20..... | T-155-13     | Thin Spring Lockwasher        |         |              |                         |
| 21..... | A74-190300   | Stationary Contact            |         |              |                         |
| 22..... | T-115-19     | Hex Nut                       |         |              |                         |
| 23..... | T-155-10     | Spring Lockwasher             |         |              |                         |
| 24..... | A74-244360-1 | Spacer                        |         |              |                         |
| 26..... | T-120-142    | Brass Rd. Head Screw          |         |              |                         |
| 27..... | T-121-34     | Hex Head Screw                |         |              |                         |
| 28..... | A74-243809   | Blowout Ears                  |         |              |                         |
| 29..... | A74-243806   | Blowout Washer                |         |              |                         |
| 30..... | A74-243808-1 | Blowout Core                  |         |              |                         |
| 31..... | A74-243807-1 | Blowout Core Insulator        |         |              |                         |
| 32..... | A74-243812-A | Blowout Coil Assembly         |         |              |                         |
| 33..... | T-122-110    | Stl. Flat Head Screw          |         |              |                         |
| 34..... | T-123-15     | P.A. Rd. Head Screw           |         |              |                         |
| 35..... | A74-243804-1 | Rear Arc Runner               |         |              |                         |
| 36..... | A74-243805-1 | Blowout Clip                  |         |              |                         |
| 37..... | T-121-19     | Hex Head Screw                |         |              |                         |
| 38..... | T-121-24     | Hex Head Screw                |         |              |                         |
| 39..... | C74-243801   | Base Insulator                |         |              |                         |
| 40..... | T-155-12     | Spring Lockwasher             |         |              |                         |
| 42..... | A74-243803   | Arc Shield Pivot Support      |         |              |                         |
| 43..... | A74-243802   | Arc Shield Spring Clip        |         |              |                         |
| 44..... | T-121-250    | Stl. Hex Head Screw           |         |              |                         |

This document utilizes an interactive table of contents to help you jump from one section to another. Click the button to return to the table of contents.

**RETURN TO  
TABLE OF CONTENTS**

### 106 TYPE B DC MAGNETIC BRAKES

#### CONTACTORS

- DC MAGNETIC CONTACTOR FORM 100--4RD
- DC MAGNETIC CONTACTOR FORM 150--4RD
- DC MAGNETIC CONTACTOR FORM 300--4RD
- DC MAGNETIC CONTACTOR FORM 400--4RD
- DC MAGNETIC CONTACTOR FORM 600--4RD
- DC MAGNETIC CONTACTOR FORM 900--4RD
- DC MAGNETIC CONTACTOR FORM 100--4RT
- DC MAGNETIC CONTACTOR FORM 150--4RT
- DC MAGNETIC CONTACTOR FORM 300--4RT
- DC MAGNETIC CONTACTOR FORM 400--4RT
- DC MAGNETIC CONTACTOR FORM 100--5RS
- DC MAGNETIC CONTACTOR FORM 150--5RS
- DC MAGNETIC CONTACTOR FORM 300--5RS
- DC MAGNETIC CONTACTOR FORM 400--5RS
- DC MAGNETIC CONTACTOR FORM 600--5RS
- DC MAGNETIC CONTACTOR FORM 100--3L3A
- DC MAGNETIC CONTACTOR FORM 150--3R3A
- DC MAGNETIC CONTACTOR FORM 400--3R3A
- DC MAGNETIC CONTACTOR TYPE KD 100 AMP
- DC MAGNETIC CONTACTOR TYPE KD 150 AMP
- DC MAGNETIC CONTACTOR TYPE KD 300 AMP

#### RELAYS & MASTER SWITCHES

#### INDEX

O.C.C.

Replacement Parts For

CLARK

**D.C. Magnetic Contactor, Type KD 150 Amp**

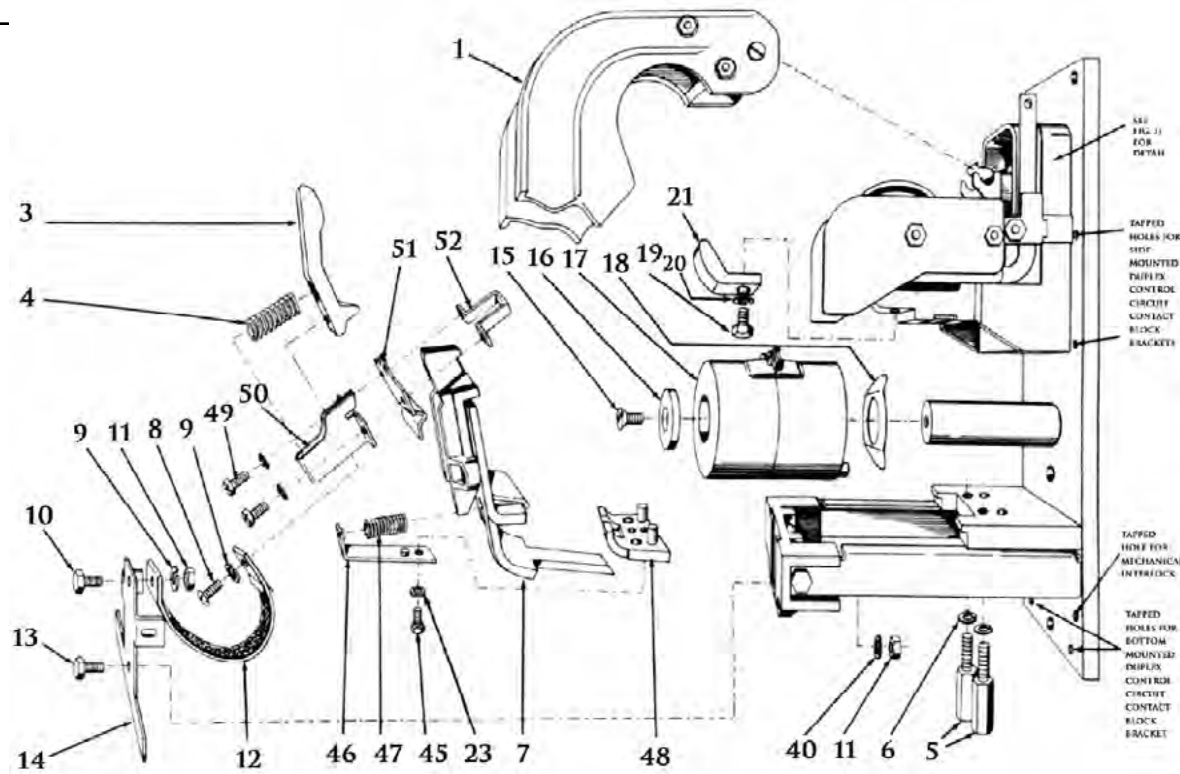
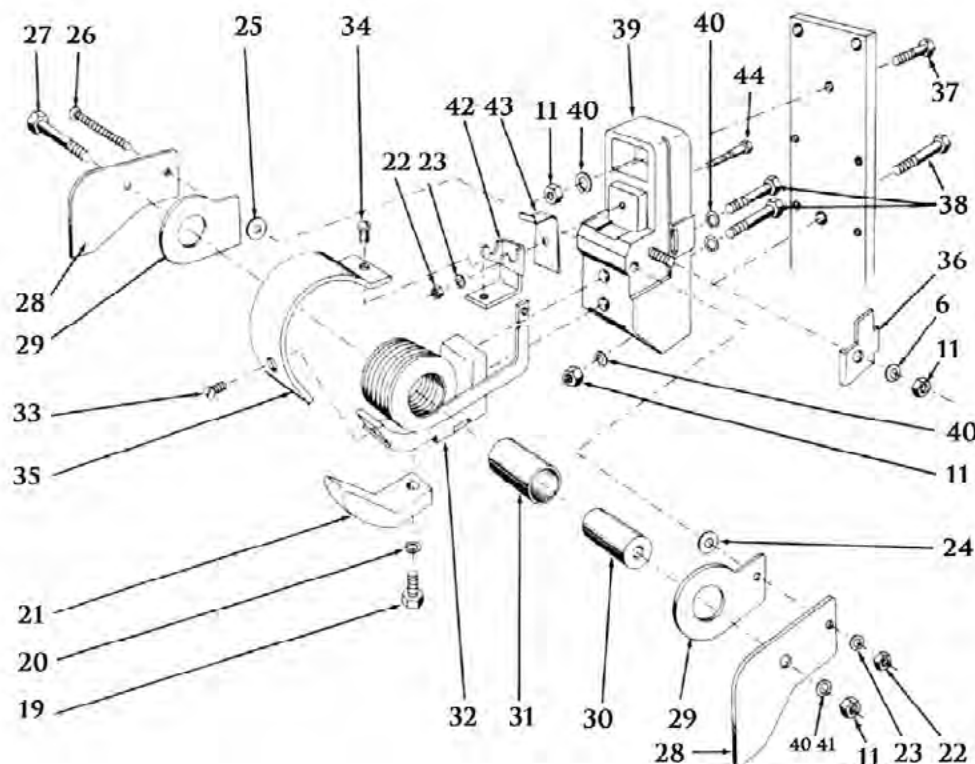


FIG. 10 EXPLODED VIEW, ARMATURE, COIL - ARC SHIELD ASSEMBLY



This document utilizes an interactive table of contents to help you jump from one section to another. Click the button to return to the table of contents.

**RETURN TO  
TABLE OF CONTENTS**

*106 TYPE B DC MAGNETIC BRAKES*

*CONTACTORS*

- DC MAGNETIC CONTACTOR FORM 100--4RD
- DC MAGNETIC CONTACTOR FORM 150--4RD
- DC MAGNETIC CONTACTOR FORM 300--4RD
- DC MAGNETIC CONTACTOR FORM 400--4RD
- DC MAGNETIC CONTACTOR FORM 600--4RD
- DC MAGNETIC CONTACTOR FORM 900--4RD
- DC MAGNETIC CONTACTOR FORM 100--4RT
- DC MAGNETIC CONTACTOR FORM 150--4RT
- DC MAGNETIC CONTACTOR FORM 300--4RT
- DC MAGNETIC CONTACTOR FORM 400--4RT
- DC MAGNETIC CONTACTOR FORM 100--5RS
- DC MAGNETIC CONTACTOR FORM 150--5RS
- DC MAGNETIC CONTACTOR FORM 300--5RS
- DC MAGNETIC CONTACTOR FORM 400--5RS
- DC MAGNETIC CONTACTOR FORM 600--5RS
- DC MAGNETIC CONTACTOR FORM 100--3L3A
- DC MAGNETIC CONTACTOR FORM 150--3R3A
- DC MAGNETIC CONTACTOR FORM 400--3R3A
- DC MAGNETIC CONTACTOR TYPE KD 100 AMP
- DC MAGNETIC CONTACTOR TYPE KD 150 AMP
- DC MAGNETIC CONTACTOR TYPE KD 300 AMP

*RELAYS & MASTER SWITCHES*

*INDEX*

# O.C.C.

## Replacement Parts For

# CLARK

### D.C. MAGNETIC CONTACTOR TYPE KD 150 AMP

| ITM     | OEM          | DESCRIPTION               | ITM     | OEM          | DESCRIPTION             |
|---------|--------------|---------------------------|---------|--------------|-------------------------|
| 01..... | KKD-151      | Assem. Arc Shield         | 46..... | A74-243832   | Spring Retainer         |
| 02..... | KKD-150      | Contact Kit               | 47..... | A74-243833   | Spring                  |
| 03..... | A74-244363   | Movable Contact           | 48..... | A74-243835-A | Pivot Support Assembly  |
| 04..... | KKD-152      | Movable Contact Spring    | 49..... | T-132-20     | Stl. Fil. Head Screw    |
| 05..... | A74-243825-1 | Shoulder Bolt             | 50..... | A74-243841-2 | Contact Spring Retainer |
| 06..... | T-155-14     | Washer                    | 51..... | B74-243843-2 | Pivot Plate             |
| 07..... | B74-243844-A | Armature Molding Assembly | 52..... | A74-243842   | Clamp                   |
| 08..... | T-121-8      | Slotted Hex Head Screw    |         |              |                         |
| 09..... | T-155-11     | Thin Spring Lockwasher    |         |              |                         |
| 10..... | T-121-13     | Contact Screw             |         |              |                         |
| 11..... | T-115-25     | Hex Nut                   |         |              |                         |
| 12..... | KKD-154      | Connector Kit             |         |              |                         |
| 13..... | T-121-12     | Hex Head Screw            |         |              |                         |
| 14..... | A74-243824-2 | Front Connector Plate     |         |              |                         |
| 15..... | T-122-61     | Coil Retainer Screw       |         |              |                         |
| 16..... | A74-243823-A | Coil Retainer             |         |              |                         |
| 17..... | TB-109-1     | Encapsulated Coil 240 VDC |         |              |                         |
| 17..... | TB-109-2     | Coil 120V DC              |         |              |                         |
| 17..... | TB-109-9     | Coil, 24 VDC              |         |              |                         |
| 18..... | A74-243820   | Coil Spring Washer        |         |              |                         |
| 19..... | A74-244395   | Stationary Contact Screw  |         |              |                         |
| 20..... | T-155-13     | Thin Spring Lockwasher    |         |              |                         |
| 21..... | A74-244356   | Stationary Contact        |         |              |                         |
| 22..... | T-115-19     | Hex Nut                   |         |              |                         |
| 23..... | T-155-10     | Spring Lockwasher         |         |              |                         |
| 24..... | A74-244360-2 | Spacer                    |         |              |                         |
| 25..... | A74-244360-3 | Spacer                    |         |              |                         |
| 26..... | T-120-142    | Brass Rd. Head Screw      |         |              |                         |
| 27..... | T-121-34     | Hex Head Screw            |         |              |                         |
| 28..... | A74-243809   | Blowout Ears              |         |              |                         |
| 29..... | A74-243806   | Blowout Washer            |         |              |                         |
| 30..... | A74-243808-2 | Blowout Core              |         |              |                         |
| 31..... | A74-243807-2 | Blowout Core Insulator    |         |              |                         |
| 32..... | A74-244353-A | Blowout Coil Assembly     |         |              |                         |
| 33..... | T-122-110    | Stl. Flat Head Screw      |         |              |                         |
| 34..... | T-123-15     | P.A. Rd. Head Screw       |         |              |                         |
| 35..... | A74-243804-2 | Rear Arc Runner           |         |              |                         |
| 36..... | A74-243805-2 | Blowout Clip              |         |              |                         |
| 37..... | T-121-19     | Hex Head Screw            |         |              |                         |
| 38..... | T-121-24     | Hex Head Screw            |         |              |                         |
| 39..... | C74-243801   | Base Insulator            |         |              |                         |
| 41..... | T-155-11     | Thin Spring Lockwasher    |         |              |                         |
| 42..... | A74-243803   | Arc Shield Pivot Support  |         |              |                         |
| 43..... | A74-243802   | Arc Shield Spring Clip    |         |              |                         |
| 44..... | T-121-250    | Stl. Hex Head Screw       |         |              |                         |
| 45..... | T-121-244    | Stl. Hex Head Screw       |         |              |                         |

This document utilizes an interactive table of contents to help you jump from one section to another. Click the button to return to the table of contents.

**RETURN TO  
TABLE OF CONTENTS**

#### 106 TYPE B DC MAGNETIC BRAKES

#### CONTACTORS

- DC MAGNETIC CONTACTOR FORM 100--4RD
- DC MAGNETIC CONTACTOR FORM 150--4RD
- DC MAGNETIC CONTACTOR FORM 300--4RD
- DC MAGNETIC CONTACTOR FORM 400--4RD
- DC MAGNETIC CONTACTOR FORM 600--4RD
- DC MAGNETIC CONTACTOR FORM 900--4RD
- DC MAGNETIC CONTACTOR FORM 100--4RT
- DC MAGNETIC CONTACTOR FORM 150--4RT
- DC MAGNETIC CONTACTOR FORM 300--4RT
- DC MAGNETIC CONTACTOR FORM 400--4RT
- DC MAGNETIC CONTACTOR FORM 100--5RS
- DC MAGNETIC CONTACTOR FORM 150--5RS
- DC MAGNETIC CONTACTOR FORM 300--5RS
- DC MAGNETIC CONTACTOR FORM 400--5RS
- DC MAGNETIC CONTACTOR FORM 600--5RS
- DC MAGNETIC CONTACTOR FORM 100--3L3A
- DC MAGNETIC CONTACTOR FORM 150--3R3A
- DC MAGNETIC CONTACTOR FORM 400--3R3A
- DC MAGNETIC CONTACTOR TYPE KD 100 AMP
- DC MAGNETIC CONTACTOR TYPE KD 150 AMP
- DC MAGNETIC CONTACTOR TYPE KD 300 AMP

#### RELAYS & MASTER SWITCHES

#### INDEX



# O.C.C. Replacement Parts For CLARK

## D.C. Magnetic Contactor, Type KD 300 Amp

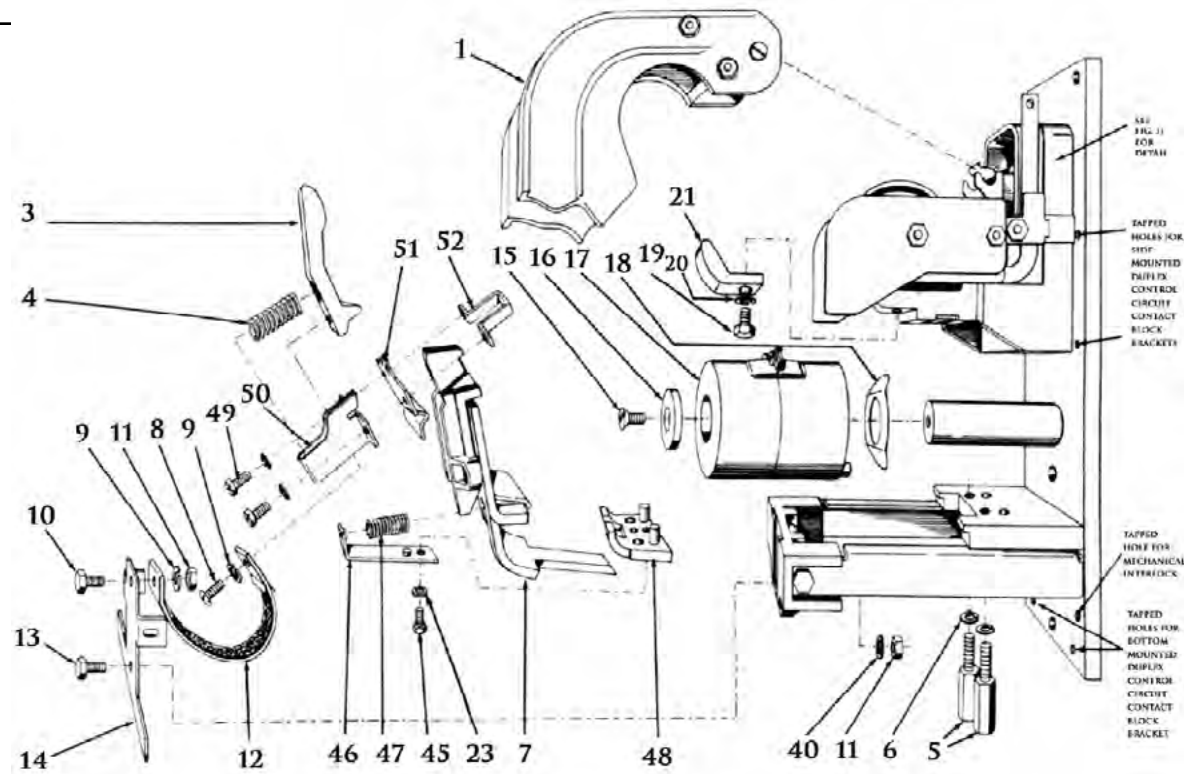
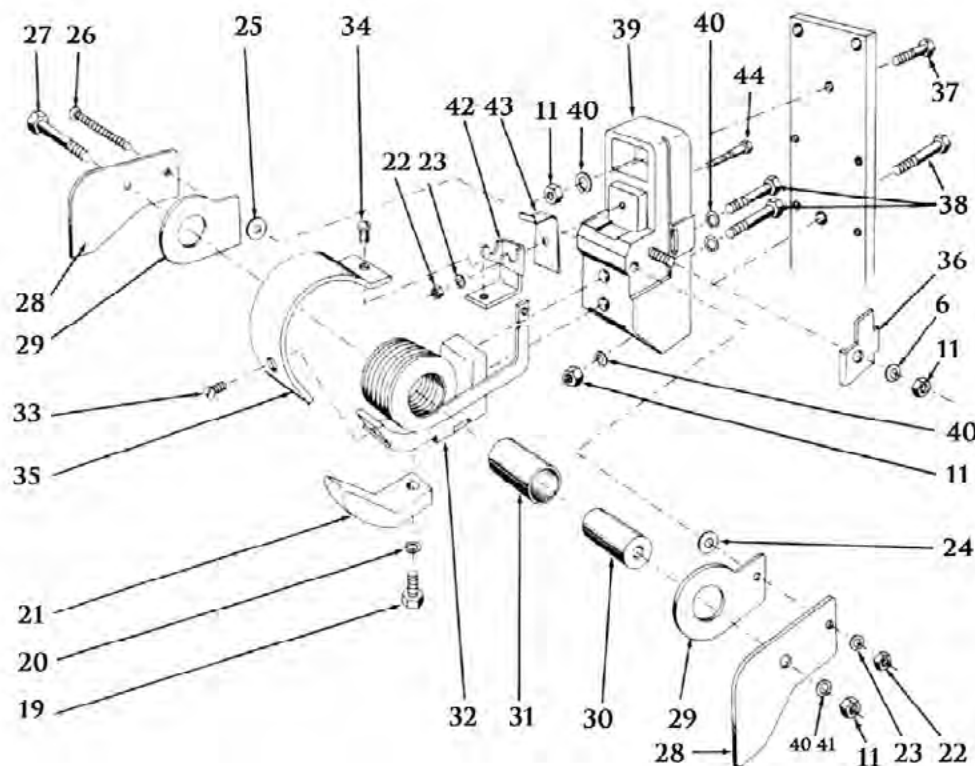


FIG. 10 EXPLODED VIEW, ARMATURE, COIL - ARC SHIELD ASSEMBLY



This document utilizes an interactive table of contents to help you jump from one section to another. Click the button to return to the table of contents.

**RETURN TO  
TABLE OF CONTENTS**

### 106 TYPE B DC MAGNETIC BRAKES CONTACTORS

- DC MAGNETIC CONTACTOR FORM 100--4RD
- DC MAGNETIC CONTACTOR FORM 150--4RD
- DC MAGNETIC CONTACTOR FORM 300--4RD
- DC MAGNETIC CONTACTOR FORM 400--4RD
- DC MAGNETIC CONTACTOR FORM 600--4RD
- DC MAGNETIC CONTACTOR FORM 900--4RD
- DC MAGNETIC CONTACTOR FORM 100--4RT
- DC MAGNETIC CONTACTOR FORM 150--4RT
- DC MAGNETIC CONTACTOR FORM 300--4RT
- DC MAGNETIC CONTACTOR FORM 400--4RT
- DC MAGNETIC CONTACTOR FORM 100--5RS
- DC MAGNETIC CONTACTOR FORM 150--5RS
- DC MAGNETIC CONTACTOR FORM 300--5RS
- DC MAGNETIC CONTACTOR FORM 400--5RS
- DC MAGNETIC CONTACTOR FORM 600--5RS
- DC MAGNETIC CONTACTOR FORM 100--3L3A
- DC MAGNETIC CONTACTOR FORM 150--3R3A
- DC MAGNETIC CONTACTOR FORM 400--3R3A
- DC MAGNETIC CONTACTOR TYPE KD 100 AMP
- DC MAGNETIC CONTACTOR TYPE KD 150 AMP
- DC MAGNETIC CONTACTOR TYPE KD 300 AMP

### RELAYS & MASTER SWITCHES

### INDEX

# O.C.C.

# Replacement Parts For

# CLARK

## D.C. MAGNETIC CONTACTOR TYPE KD 300 AMP

| ITM     | OEM          | DESCRIPTION                  | ITM     | OEM          | DESCRIPTION             |
|---------|--------------|------------------------------|---------|--------------|-------------------------|
| 01..... | KKD-301      | Arc Shield                   | 48..... | A74-250818-A | Pivot Support Assembly  |
| 02..... | KKD-300      | Contact Kit                  | 49..... | T-132-25     | Stl. Til. Head Screw    |
| 03..... | B74-250831   | Movable Contact              | 50..... | A74-250829   | Contact Spring Retainer |
| 04..... | KKD-302      | Moveable Contact Spring Only | 51..... | B74-250827   | Pivot Plate             |
| 04..... | A74-253069-3 | Contact Spring               | 52..... | A74-250846-A | Clamp                   |
| 05..... | A74-243825-2 | Shoulder Bolt                |         |              |                         |
| 06..... | T-155-15     | Washer                       |         |              |                         |
| 06..... | T-155-14     | Washer                       |         |              |                         |
| 06..... | T-155-12     | Spring Lockwasher            |         |              |                         |
| 07..... | B74-250826-A | Armature Molding Assembly    |         |              |                         |
| 08..... | T-121-77     | Slotted Hex Head Screw       |         |              |                         |
| 09..... | T-155-16     | Thin Spring Lockwash         |         |              |                         |
| 10..... | T-121-81     | Slotted Hex Head Screw       |         |              |                         |
| 11..... | T-115-25     | Hex Nut                      |         |              |                         |
| 12..... | KKD-304      | Flexible Connector Kit       |         |              |                         |
| 13..... | T-121-78     | Hex Head Screw               |         |              |                         |
| 14..... | B74-250809   | Front Connectore Plate       |         |              |                         |
| 15..... | T-172-23     | Coil Retainer Screw          |         |              |                         |
| 16..... | A74-250840-A | Coil Retainer                |         |              |                         |
| 17..... | TB-144-1     | Encapsulated Coil 240 VDC    |         |              |                         |
| 17..... | TB-144-2     | Coil 120V DC                 |         |              |                         |
| 17..... | TB-144-8     | Coil 95V DC                  |         |              |                         |
| 18..... | A74-244379   | Coil Spring Washer           |         |              |                         |
| 20..... | T-121-76     | Magnet Coil Bolts            |         |              |                         |
| 20..... | T-155-16     | Thin Spring Lockwash         |         |              |                         |
| 21..... | A74-250814   | Stationary Contact           |         |              |                         |
| 22..... | T-115-25     | Hex Nut                      |         |              |                         |
| 23..... | T-155-12     | Spring Lockwasher            |         |              |                         |
| 24..... | A74-244360-4 | Spacer                       |         |              |                         |
| 26..... | T-121-258    | Brass Rd. Head Screw         |         |              |                         |
| 27..... | T-121-10     | Hex Head Screw               |         |              |                         |
| 28..... | A74-250819   | Blowout Ears                 |         |              |                         |
| 29..... | A74-250816   | Blowout Washer               |         |              |                         |
| 30..... | A74-250847   | Blowout Core                 |         |              |                         |
| 31..... | A74-243807-3 | Blowout Core Insulator       |         |              |                         |
| 32..... | A74-250822-A | Blowout Coil Assembly        |         |              |                         |
| 33..... | T-122-110    | Stl. Flat Head Screw         |         |              |                         |
| 34..... | T-123-15     | P.A. Rd. Head Screw          |         |              |                         |
| 35..... | B74-250813   | Rear Arc Runner              |         |              |                         |
| 36..... | A74-250815   | Blowout Clip                 |         |              |                         |
| 37..... | T-121-90     | Hex Head Screw               |         |              |                         |
| 38..... | T-121-92     | Hex Head Screw               |         |              |                         |
| 39..... | D74-250801   | Base Insulator               |         |              |                         |
| 40..... | T-155-15     | Washer                       |         |              |                         |
| 40..... | T-155-12     | Spring Lockwasher            |         |              |                         |
| 42..... | A74-250812   | Arc Shield Pivot Support     |         |              |                         |
| 43..... | A74-250811   | Arc Shield Spring Clip       |         |              |                         |
| 44..... | T-120-195    | Stl. Hex Head Screw          |         |              |                         |
| 45..... | T-121-9      | Stl. Head Hex Screw          |         |              |                         |
| 46..... | A74-250834   | Spring Retainer              |         |              |                         |
| 47..... | A74-250833   | Spring                       |         |              |                         |

This document utilizes an interactive table of contents to help you jump from one section to another. Click the button to return to the table of contents.

**RETURN TO  
TABLE OF CONTENTS**

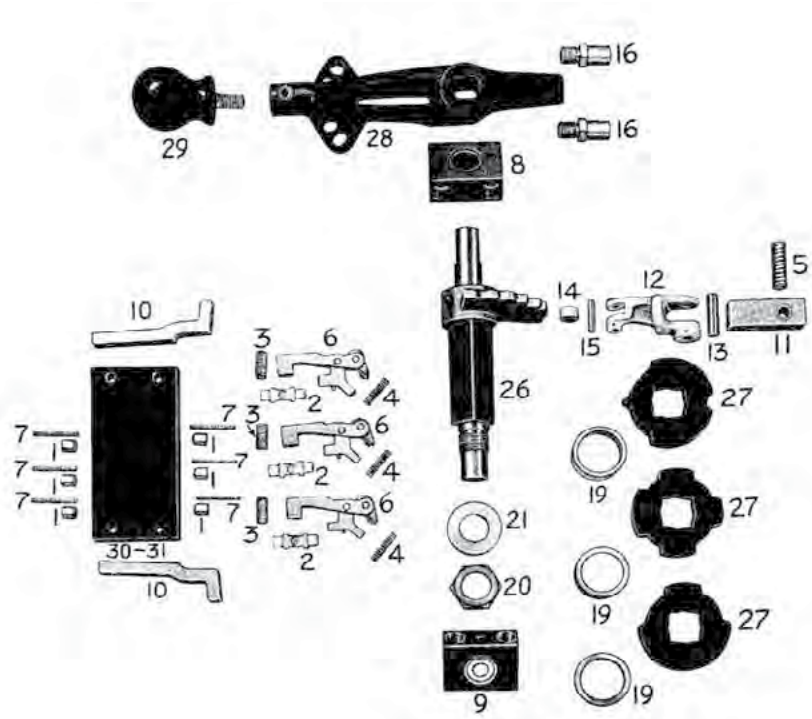
### 106 TYPE B DC MAGNETIC BRAKES

#### CONTACTORS

- DC MAGNETIC CONTACTOR FORM 100--4RD
- DC MAGNETIC CONTACTOR FORM 150--4RD
- DC MAGNETIC CONTACTOR FORM 300--4RD
- DC MAGNETIC CONTACTOR FORM 400--4RD
- DC MAGNETIC CONTACTOR FORM 600--4RD
- DC MAGNETIC CONTACTOR FORM 900--4RD
- DC MAGNETIC CONTACTOR FORM 100--4RT
- DC MAGNETIC CONTACTOR FORM 150--4RT
- DC MAGNETIC CONTACTOR FORM 300--4RT
- DC MAGNETIC CONTACTOR FORM 400--4RT
- DC MAGNETIC CONTACTOR FORM 100--5RS
- DC MAGNETIC CONTACTOR FORM 150--5RS
- DC MAGNETIC CONTACTOR FORM 300--5RS
- DC MAGNETIC CONTACTOR FORM 400--5RS
- DC MAGNETIC CONTACTOR FORM 600--5RS
- DC MAGNETIC CONTACTOR FORM 100--3L3A
- DC MAGNETIC CONTACTOR FORM 150--3R3A
- DC MAGNETIC CONTACTOR FORM 400--3R3A
- DC MAGNETIC CONTACTOR TYPE KD 100 AMP
- DC MAGNETIC CONTACTOR TYPE KD 150 AMP
- DC MAGNETIC CONTACTOR TYPE KD 300 AMP

#### RELAYS & MASTER SWITCHES

#### INDEX



**MASTER SWITCH - TYPE RD, RDS**

| ITM | OEM           | DESCRIPTION                  | ITM | OEM        | DESCRIPTION               |
|-----|---------------|------------------------------|-----|------------|---------------------------|
| 01  | A102-237821   | Stationary Contact           | 19  | T-24-220   | Spacer                    |
| 1a  | T-2-420       | Steel Washer                 | 20  | A101-28962 | Locknut                   |
| 02  | A101-28965A   | Movable Contact              | 21  | [1]        | Washer                    |
| 03  | A101-34114    | Contact Spring               | 22  | [1]        | Washer                    |
| 04  | T-45-151      | Operating Spring             | 23  | [1]        | Case Only                 |
| 05  | T-45-150      | Cam Roller Arm Spring        | 24  | [1]        | Cover Only                |
| 06  | A101-34104A   | Contact Arm                  | 25  | [1]        | Shaft and Cam Assembly    |
| 07  | A102-237820-1 | Stud                         | 26  | [1]        | Shaft & Quadrant Assembly |
| 08  | A101-28969A   | Front Bearing Block          | 27  | [1]        | Cam                       |
| 09  | A101-28970A   | Rear Bearing Block Assembled | 28  | [1]        | Lever                     |
| 10  | A101-34103A   | Slate Bracket Assembled      | 29  | [1]        | Handle                    |
| 11  | A101-28950    | Roller Arm Block             | 30  | [1]        | Slate, R.H.               |
| 12  | A101-28951    | Cam Roller Arm               | 31  | [1]        | Slate, L.H.               |
| 13  | A101-28959    | Roller Arm Pin               | 32  | [1]        | Return Spring             |
| 14  | A101-28958    | Cam Roller                   |     |            |                           |
| 15  | A101-28961    | Cam Roller Pin               |     |            |                           |
| 16  | A101-28964    | Stop Stud                    |     |            |                           |
| 17  | A101-34125    | Connector                    |     |            |                           |
| 18  | A101-34124    | Jumper                       |     |            |                           |

[1] Parts determined by the cam arrangement specified for each application. Furnish complete name plate data.

This document utilizes an interactive table of contents to help you jump from one section to another. Click the button to return to the table of contents.

**RETURN TO TABLE OF CONTENTS**

*106 TYPE B DC MAGNETIC BRAKES*

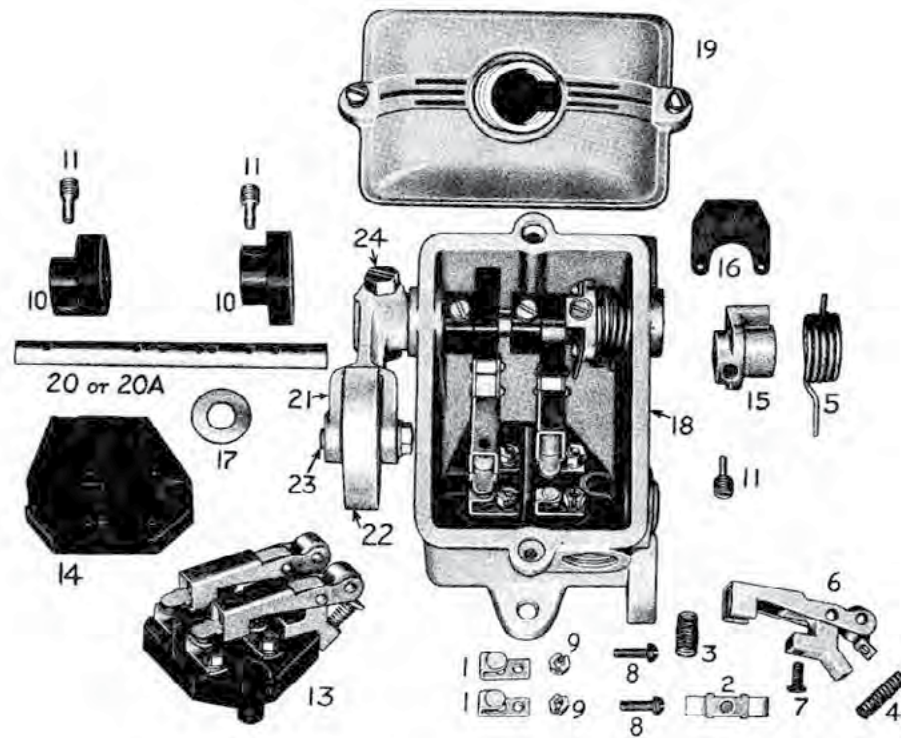
*CONTACTORS*

*RELAYS & MASTER SWITCHES*

- MASTER SWITCH--TYPE RD, RDS
- HATCHWAY LIMIT SWITCH, TYPE HL
- TYPE AP ANTI--PLUG RELAY
- TYPE CH RELAY
- TYPE FL FIELD LOSS RELAY
- TYPE P PLUGGING RELAY
- TYPE VT VARI--TIME RELAY
- TYPE VR VOLTAGE RELAY
- TYPE VTH VARI--TIME RELAY
- TYPE XVR RELAY

*INDEX*





**HATCHWAY LIMIT SWITCH, TYPE HL**

| Itm | OEM         | DESCRIPTION            | Itm | OEM          | DESCRIPTION                |
|-----|-------------|------------------------|-----|--------------|----------------------------|
| 01  | A102-41257A | Stationary Contact     | 22  | A102-127784A | Roller, Standard Cast Iron |
| 02  | A101-28965A | Movable Contact        | 22  | A102-36408   | Roller, Textolite          |
| 03  | A101-34114  | Contact Spring         | 23  | A102-41266   | Roller Stud                |
| 04  | T-45-151    | Operating Spring       | 24  | T-161-8      | Arm Adj. Bolt              |
| 05  | A101-62988  | Spring                 | 25  | T-24-91      | Spacer                     |
| 06  | A102-77222A | Assembled Contact Arm  |     |              |                            |
| 07  | T-124-11    | Lockwasher & Screw     |     |              |                            |
| 08  | T-127-4     | Lockwasher & Screw     |     |              |                            |
| 09  | A73-46228   | Slotted Nut            |     |              |                            |
| 10  | A102-52625  | Cam for A101-88361A    |     |              |                            |
| 11  | A102-52858  | Cam Screw              |     |              |                            |
| 12  | A102-41256A | Contact Base Assembled |     |              |                            |
| 13  | A102-41255A | Contact Base Assembled |     |              |                            |
| 14  | A102-41258  | Contact Base Only      |     |              |                            |
| 15  | A102-41262  | Spring Arm             |     |              |                            |
| 16  | A102-41264  | Insulator              |     |              |                            |
| 17  | A102-54633  | Spring Washer          |     |              |                            |
| 18  | A102-41253A | Box, Assembled         |     |              |                            |
| 19  | A102-41254A | Cover, Assembled       |     |              |                            |
| 20  | A102-41260  | Shaft                  |     |              |                            |
| 20A | A102-53536  | Shaft                  |     |              |                            |
| 21  | A102-41276  | Lever                  |     |              |                            |

This document utilizes an interactive table of contents to help you jump from one section to another. Click the button to return to the table of contents.

**RETURN TO TABLE OF CONTENTS**

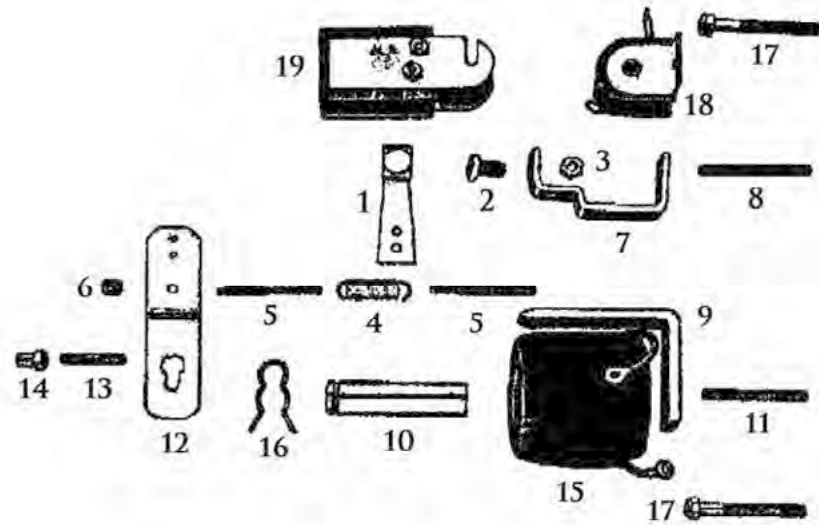
106 TYPE B DC MAGNETIC BRAKES

CONTACTORS

RELAYS & MASTER SWITCHES

- MASTER SWITCH--TYPE RD, RDS
- HATCHWAY LIMIT SWITCH, TYPE HL
- TYPE AP ANTI--PLUG RELAY
- TYPE CH RELAY
- TYPE FL FIELD LOSS RELAY
- TYPE P PLUGGING RELAY
- TYPE VT VARI--TIME RELAY
- TYPE VR VOLTAGE RELAY
- TYPE VTH VARI--TIME RELAY
- TYPE XVR RELAY

INDEX



**TYPE AP ANTI-PLUG RELAY**

| ITM | OEM        | DESCRIPTION             | ITM | OEM        | DESCRIPTION         |
|-----|------------|-------------------------|-----|------------|---------------------|
| 01  | A29-82927A | Front Contact Assembled | *   | A29-2656-1 | Blowout Coil, 2 Amp |
| 02  | A29-2691A  | Rear Contact Assembled  | *   | A73-280057 | Base                |
| 03  | A29-2684   | Lock Nut                | *   | T-120-200  | Screw               |
| 04  | T-46-14    | Spring                  |     |            |                     |
| 05  | A18-1978   | Adjusting Stud          |     |            |                     |
| 06  | A29-2689   | Adjusting Nut           |     |            |                     |
| 07  | A29-2671   | Rear Contact Bracket    |     |            |                     |
| 08  | T-7-36     | Aux. Stud               |     |            |                     |
| 08  | T-7-150    | Aux. Stud               |     |            |                     |
| 09  | A29-2668   | Magnet Frame            |     |            |                     |
| 10  | A29-2705A  | Magnet Core Assembled   |     |            |                     |
| 11  | T-7-81     | Stud (magnet Core)      |     |            |                     |
| 11  | T-7-73     | Stud (magnet Core)      |     |            |                     |
| 12  | A29-5952   | Magnet Arm              |     |            |                     |
| 13  | A29-2706   | Adjusting Stud          |     |            |                     |
| 14  | A29-2680   | Adjusting Nut           |     |            |                     |
| 16  | T-55-5     | Special Cotter          |     |            |                     |
| 17  | A29-2676   | Stud                    |     |            |                     |
| 18  | A29-2656A  | Blowout Coil Assembled  |     |            |                     |
| 19  | A29-2659A  | Arc Shield Assembly     |     |            |                     |
| *   | A29-16351A | AP Relay Complete       |     |            |                     |
| *   | AP RELAY   | AP Relay Complete       |     |            |                     |
| *   | A29-2656-2 | Blowout Coil, 5 Amp     |     |            |                     |

This document utilizes an interactive table of contents to help you jump from one section to another. Click the button to return to the table of contents.

**RETURN TO TABLE OF CONTENTS**

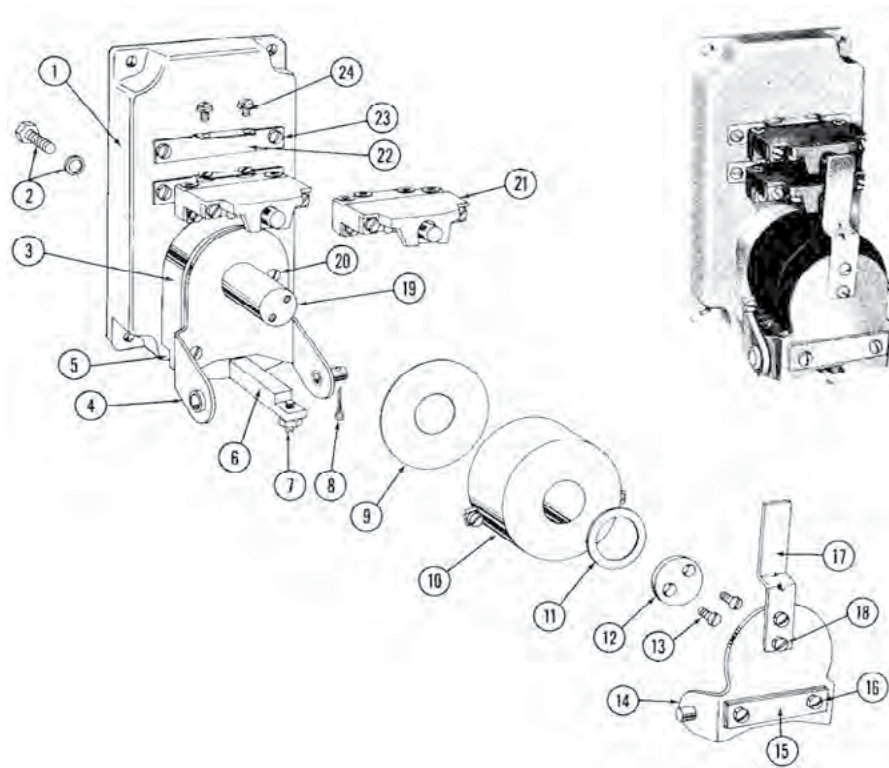
106 TYPE B DC MAGNETIC BRAKES

CONTACTORS

RELAYS & MASTER SWITCHES

- MASTER SWITCH--TYPE RD, RDS
- HATCHWAY LIMIT SWITCH, TYPE HL
- TYPE AP ANTI--PLUG RELAY
- TYPE CH RELAY
- TYPE FL FIELD LOSS RELAY
- TYPE P PLUGGING RELAY
- TYPE VT VARI--TIME RELAY
- TYPE VR VOLTAGE RELAY
- TYPE VTH VARI--TIME RELAY
- TYPE XVR RELAY

INDEX



**TYPE CH RELAY**

| Itm     | OEM        | DESCRIPTION                    | Itm     | OEM        | DESCRIPTION              |
|---------|------------|--------------------------------|---------|------------|--------------------------|
| 02..... | T-155-15   | Washer                         | 21..... | KKD-1      | Contact Block            |
| 04..... | A13-10002A | Frame                          | 21..... | KKD-2      | Contact Block            |
| 05..... | T-121-50   | Lock Bolt, Equalizer Yoke      | 21..... | KKD-3      | Contact Block            |
| 05..... | T-155-14   | Washer                         | 22..... | A73-257301 | Contact Mounting Bracket |
| 06..... | A13-74585A | Stop Post with Mounting Post   | 23..... | T-155-10   | Spring Lockwasher        |
| 07..... | T-159-1    | Mov Contact Support Stop Screw | 23..... | T-120-105  | Screw                    |
| 09..... | T-38-22    | Coil Spacer (top)              | 24..... | T-147-6    | Screw                    |
| 10..... | TB-147-2   | Coil 230 VDC                   |         |            |                          |
| 10..... | TB-147-1   | Coil 115 VDC                   |         |            |                          |
| 10..... | TB-147-3   | Coil 550 VDC                   |         |            |                          |
| 11..... | T-38-89    | Coil Spacers                   |         |            |                          |
| 12..... | A13-26383  | Coil Clamp                     |         |            |                          |
| 15..... | A13-10040  | Counter Weight                 |         |            |                          |
| 16..... | T-155-10   | Spring Lockwasher              |         |            |                          |
| 16..... | T-120-150  | Screw                          |         |            |                          |
| 17..... | A73-260924 | Operating Arm, 2-1/2" Long     |         |            |                          |
| 17..... | A73-260918 | Operating Arm, 4" Long         |         |            |                          |
| 18..... | T-155-10   | Spring Lockwasher              |         |            |                          |
| 18..... | T-2-27     | Brass Washer                   |         |            |                          |
| 18..... | T-120-148  | Screw                          |         |            |                          |
| 19..... | A13-10028  | Core (LD)                      |         |            |                          |
| 20..... | T-155-10   | Spring Lockwasher              |         |            |                          |

This document utilizes an interactive table of contents to help you jump from one section to another. Click the button to return to the table of contents.

**RETURN TO TABLE OF CONTENTS**

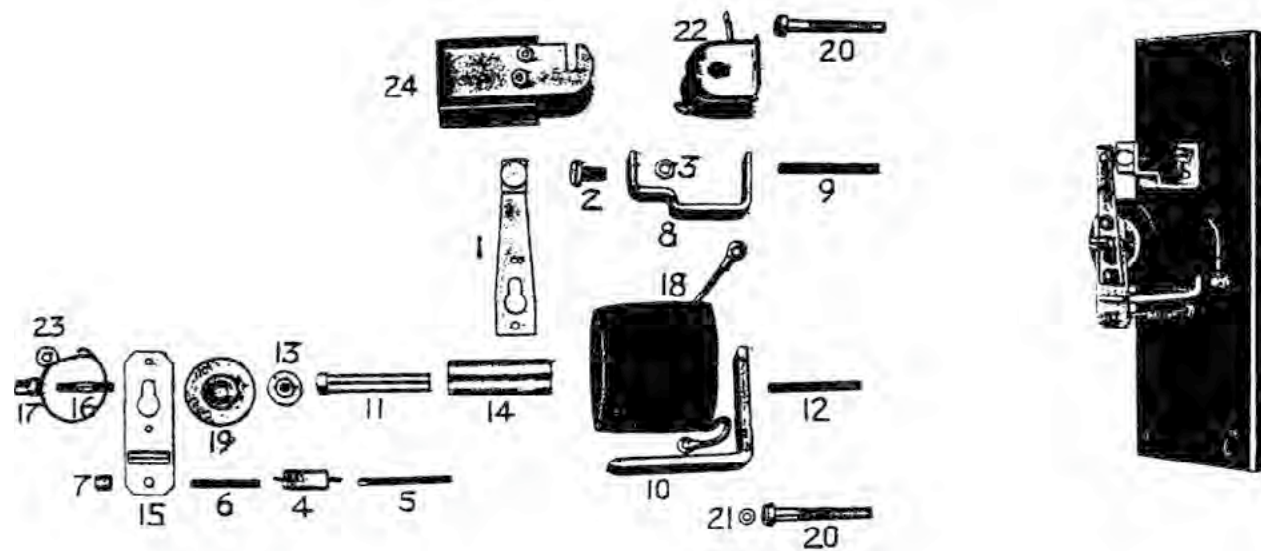
106 TYPE B DC MAGNETIC BRAKES

CONTACTORS

RELAYS & MASTER SWITCHES

- MASTER SWITCH--TYPE RD, RDS
- HATCHWAY LIMIT SWITCH, TYPE HL
- TYPE AP ANTI--PLUG RELAY
- TYPE CH RELAY
- TYPE FL FIELD LOSS RELAY
- TYPE P PLUGGING RELAY
- TYPE VT VARI--TIME RELAY
- TYPE VR VOLTAGE RELAY
- TYPE VTH VARI--TIME RELAY
- TYPE XVR RELAY

INDEX



**TYPE FL FIELD LOSS RELAY**

| ITM | OEM        | DESCRIPTION             | ITM | OEM        | DESCRIPTION              |
|-----|------------|-------------------------|-----|------------|--------------------------|
| 01  | A29-81955A | Front Contact (movable) | 23  | A14-1074   | Wire Clamp               |
| 02  | A29-2691A  | Rear Contact Assembled  | 24  | A29-2659A  | Arc Shield Assembly      |
| 03  | A29-2684   | Lock Nut                | *   | T-46-14    | Spring                   |
| 04  | T-46-13    | Spring                  | *   | A29-34051A | Type FL Field Loss Relay |
| 05  | A18-1978   | Adjusting Stud          |     |            |                          |
| 06  | A29-2688   | Adjusting Stud, Front   |     |            |                          |
| 07  | A29-2689   | Adjusting Nut           |     |            |                          |
| 08  | A29-2671   | Rear Contact Bracket    |     |            |                          |
| 09  | T-7-36     | Aux. Stud               |     |            |                          |
| 09  | T-7-150    | Aux. Stud               |     |            |                          |
| 10  | A29-2668   | Magnet Frame            |     |            |                          |
| 11  | A29-34054  | Magnet Core             |     |            |                          |
| 12  | T-7-122    | Arc Shield Stud         |     |            |                          |
| 12  | E9384-40   | Stud, Magnet Core       |     |            |                          |
| 13  | A29-34055  | Magnet Core Extension   |     |            |                          |
| 14  | A29-34057  | Magnet Core Tube        |     |            |                          |
| 15  | A29-2669   | Magnet Arm              |     |            |                          |
| 16  | A29-34056  | Stud, (Magnet Arm)      |     |            |                          |
| 17  | A29-2680   | Adjusting Nut           |     |            |                          |
| 19  | A29-34053  | Coil Clamp              |     |            |                          |
| 20  | A29-2676   | Stud                    |     |            |                          |
| 20  | A29-4433   | Stud (Coil Terminal)    |     |            |                          |
| 21  | T-2-27     | Brass Washer            |     |            |                          |
| 22  | A29-2656A  | Blowout Coil Assembled  |     |            |                          |

This document utilizes an interactive table of contents to help you jump from one section to another. Click the button to return to the table of contents.

**RETURN TO TABLE OF CONTENTS**

106 TYPE B DC MAGNETIC BRAKES

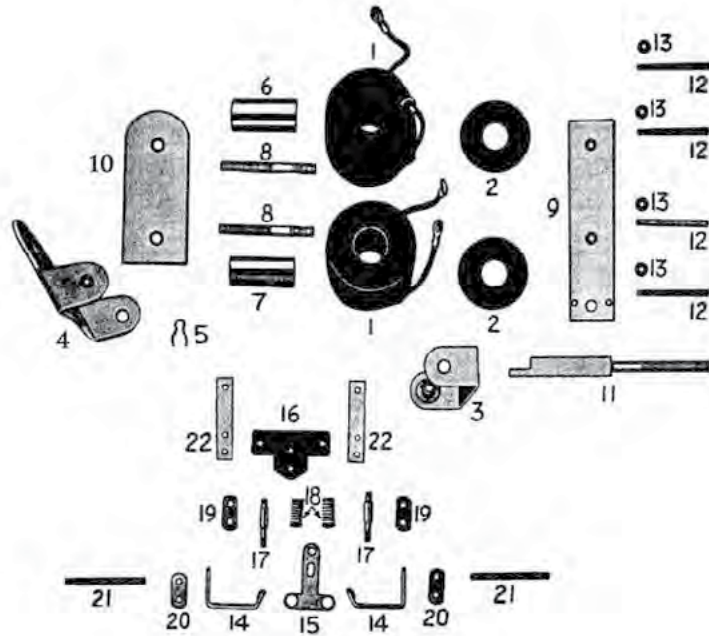
CONTACTORS

RELAYS & MASTER SWITCHES

- MASTER SWITCH--TYPE RD, RDS
- HATCHWAY LIMIT SWITCH, TYPE HL
- TYPE AP ANTI--PLUG RELAY
- TYPE CH RELAY
- TYPE FL FIELD LOSS RELAY
- TYPE P PLUGGING RELAY
- TYPE VT VARI--TIME RELAY
- TYPE VR VOLTAGE RELAY
- TYPE VTH VARI--TIME RELAY
- TYPE XVR RELAY

INDEX





**TYPE P PLUGGING RELAY**

| Itm | OEM       | DESCRIPTION                     | Itm    | OEM | DESCRIPTION                         |
|-----|-----------|---------------------------------|--------|-----|-------------------------------------|
| 02  | T-38-17   | Coil Washer                     | 113911 |     |                                     |
| 03  | A29-3345A | Magnet Frame Assembled          | 116252 | 22  | A13-10518 Auxiliary Contact Bracket |
| 04  | A29-3342A | Arm Assembled                   | 116253 | *   | A29-3341A Magnetic Plugging Relay   |
| 05  | T-55-3    | Hair Pin Cotter (arm)           | 116254 |     |                                     |
| 06  | A29-3343A | Core Assembled (top)            | 116255 |     |                                     |
| 07  | A29-3344A | Core Assembled (bottom)         | 116256 |     |                                     |
| 08  | T-7-204   | Stud (core)                     | 116257 |     |                                     |
| 09  | A29-3351  | Magnet Plate (rear)             | 116258 |     |                                     |
| 10  | A29-3352  | Magnet Plate (front)            | 116259 |     |                                     |
| 11  | A29-3353  | Stop Stud                       | 116260 |     |                                     |
| 12  | T-7-44    | Coil Terminal Stud              | 113922 |     |                                     |
| 12  | T-7-55    | Terminal Stud (1" Slate)        | 116261 |     |                                     |
| 12  | T-2-240   | Terminal Stud                   | 116262 |     |                                     |
| 13  | T-2-27    | Brass Washer                    | 113880 |     |                                     |
| 14  | A18-9465A | Stationary Control Contact      | 107137 |     |                                     |
| 15  | A18-9464A | Auxiliary Contact Bar, Moveable | 107139 |     |                                     |
| 16  | A18-2544  | Aux. Contact Insulator          | 107140 |     |                                     |
| 17  | A18-9477  | Aux. Contact Stud               | 107141 |     |                                     |
| 18  | A18-9483  | Spring                          | 107142 |     |                                     |
| 19  | A18-2542  | Aux. Contact Plate              | 107144 |     |                                     |
| 20  | A18-2543  | Aux. Contact Base Plate         | 107143 |     |                                     |
| 21  | T-7-36    | Aux. Stud                       | 107145 |     |                                     |
| 21  | T-7-150   | Aux. Stud                       | 107147 |     |                                     |

This document utilizes an interactive table of contents to help you jump from one section to another. Click the button to return to the table of contents.

**RETURN TO TABLE OF CONTENTS**

106 TYPE B DC MAGNETIC BRAKES

CONTACTORS

RELAYS & MASTER SWITCHES

- MASTER SWITCH--TYPE RD, RDS
- HATCHWAY LIMIT SWITCH, TYPE HL
- TYPE AP ANTI--PLUG RELAY
- TYPE CH RELAY
- TYPE FL FIELD LOSS RELAY
- TYPE P PLUGGING RELAY
- TYPE VT VARI--TIME RELAY
- TYPE VR VOLTAGE RELAY
- TYPE VTH VARI--TIME RELAY
- TYPE XVR RELAY

INDEX



This document utilizes an interactive table of contents to help you jump from one section to another. Click the button to return to the table of contents.

**RETURN TO  
TABLE OF CONTENTS**

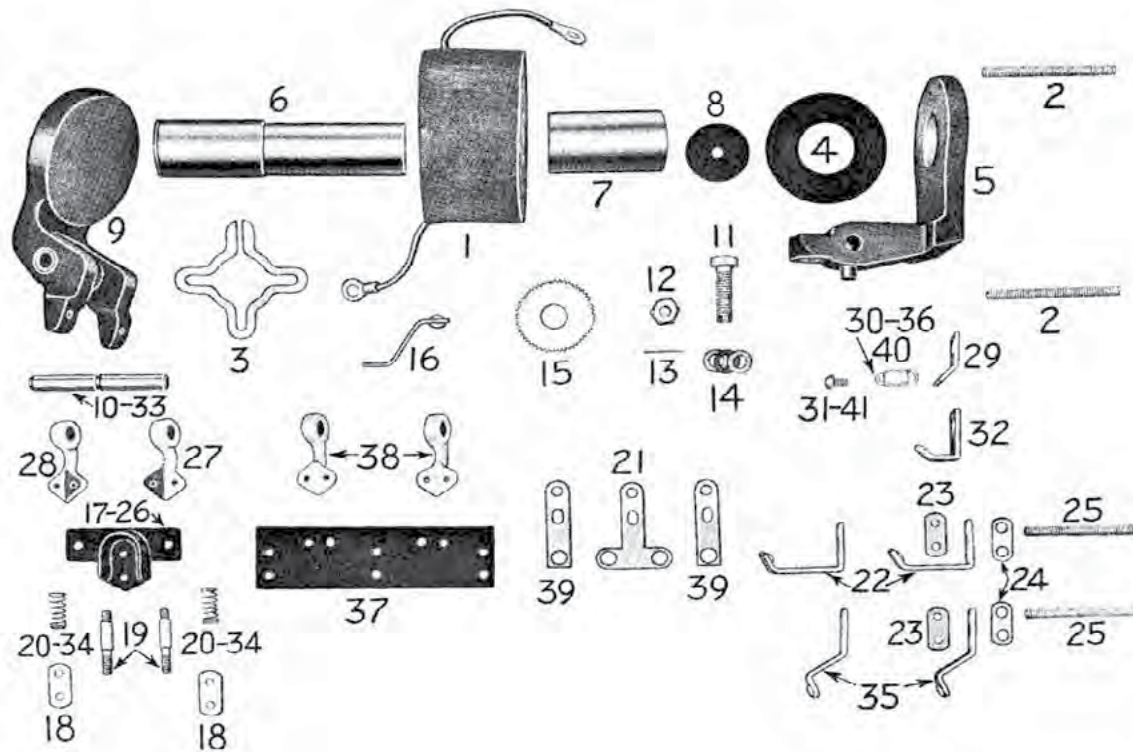
106 TYPE B DC MAGNETIC BRAKES

CONTACTORS

RELAYS & MASTER SWITCHES

- MASTER SWITCH--TYPE RD, RDS
- HATCHWAY LIMIT SWITCH, TYPE HL
- TYPE AP ANTI--PLUG RELAY
- TYPE CH RELAY
- TYPE FL FIELD LOSS RELAY
- TYPE P PLUGGING RELAY
- TYPE VT VARI--TIME RELAY
- TYPE VR VOLTAGE RELAY
- TYPE VTH VARI--TIME RELAY
- TYPE XVR RELAY

INDEX



**TYPE VT VARI-TIME RELAY**

| ITM | OEM        | DESCRIPTION            | ITM | OEM        | DESCRIPTION                     |
|-----|------------|------------------------|-----|------------|---------------------------------|
| 01  | TB-17-3    | Coil, 115V             | 19  | A18-9477   | Aux. Contact Stud               |
| 01  | TB-17-1    | Coil, 230V             | 20  | T-45-83    | Control Contact Spring          |
| 01  | TB-17-2    | Coil, 550V             | 21  | A18-9464A  | Auxiliary Contact Bar, Moveable |
| 01  | TB-16-3    | Coil, 115V             | 22  | A18-9465A  | Stationary Control Contact      |
| 01  | TB-16-1    | Coil, 230 VDC          | 23  | A18-2543   | Aux. Contact Base Plate         |
| 01  | TB-16-2    | Coil, 550V             | 24  | A18-3590   | Contact Spacer Plate            |
| 02  | T-7-47     | Coil Terminal Stud     | 25  | T-7-36     | Aux. Stud                       |
| 03  | A18-2548   | Coil Clamp             | 25  | T-7-150    | Aux. Stud                       |
| 04  | A18-6710   | Coil Washer            | 26  | A18-3610   | Control Cont. Insul.            |
| 05  | A18-25359A | Frame                  | 27  | A18-25587  | Insulator Arm (R.H.)            |
| 06  | A18-2505A  | Assembled Core         | 28  | A18-25588  | Insulator Arm (L.H.)            |
| 06  | A18-2564A  | Core Assembled         | 29  | A18-3590   | Contact Spacer Plate            |
| 07  | T-24-41    | Core Spacer            | 30  | T-46-9     | Spring                          |
| 08  | T-2-14     | Core Washer            | 31  | A18-3742   | Spring Screw                    |
| 09  | A18-23933A | Arm Assembled          | 33  | A18-9481   | Stop                            |
| 10  | T-66-10    | Arm Pin                | 33  | T-66-6     | Arm Pin                         |
| 11  | A18-2536   | Stop Stud              | 34  | T-45-81    | Auxiliary Contact Spring        |
| 12  | A18-2547   | Stop Stud Nut          | 35  | A18-9466A  | Stationary Control Contact      |
| 13  | T-3-17     | Stop Stud Pin          | 36  | T-46-32    | Spring                          |
| 14  | T-2-18     | Stop Stud Washer       | 37  | A73-39220  | Control Cont. Insulator         |
| 15  | A18-10496  | Adjusting Wheel        | 38  | A73-38561  | Insulator Arm                   |
| 16  | A18-10497A | Lock Spring            | 39  | A18-10404A | Control Contact                 |
| 17  | A18-2544   | Aux. Contact Insulator | 40  | T-46-21    | Spring                          |
| 18  | A18-2542   | Aux. Contact Plate     | 41  | T-65-1     | Spring Screw                    |

This document utilizes an interactive table of contents to help you jump from one section to another. Click the button to return to the table of contents.

**RETURN TO TABLE OF CONTENTS**

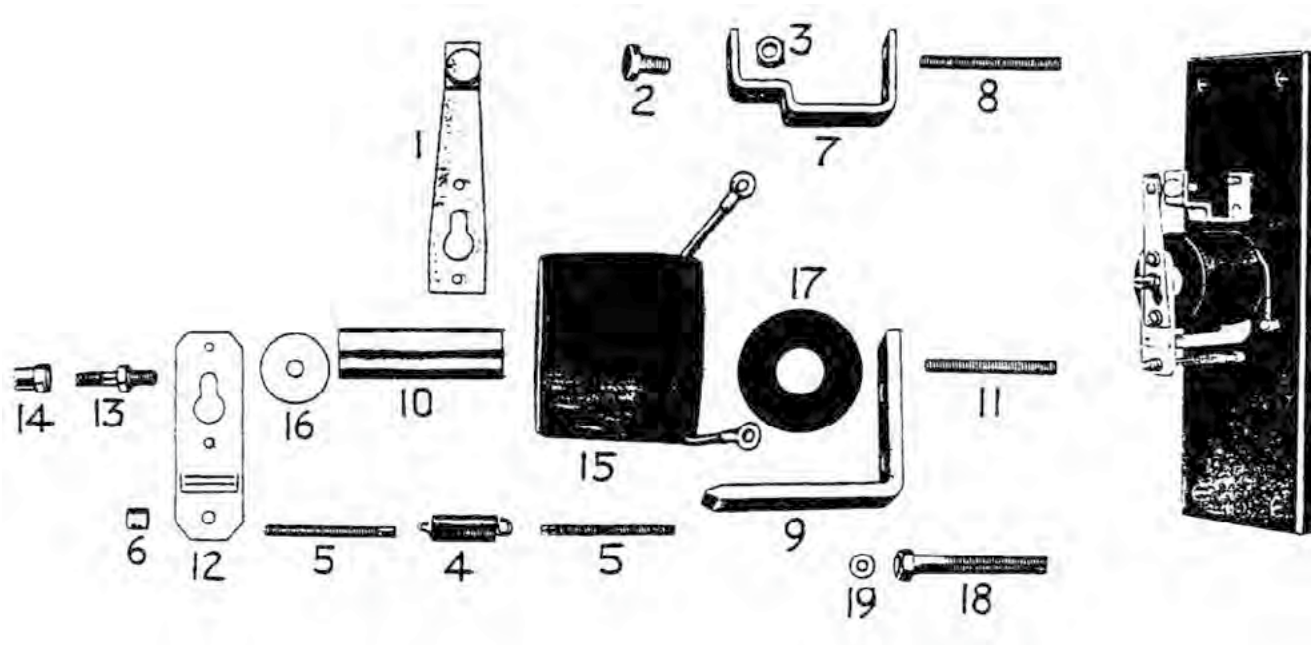
106 TYPE B DC MAGNETIC BRAKES

CONTACTORS

RELAYS & MASTER SWITCHES

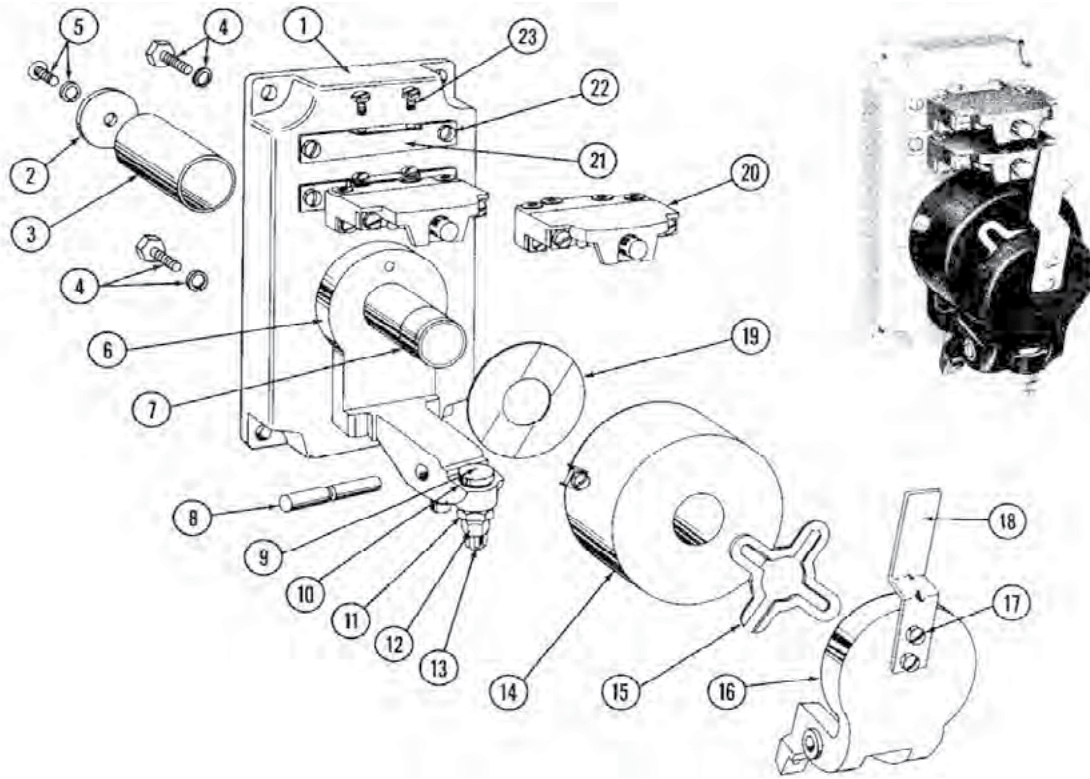
- MASTER SWITCH--TYPE RD, RDS
- HATCHWAY LIMIT SWITCH, TYPE HL
- TYPE AP ANTI--PLUG RELAY
- TYPE CH RELAY
- TYPE FL FIELD LOSS RELAY
- TYPE P PLUGGING RELAY
- TYPE VT VARI--TIME RELAY
- TYPE VR VOLTAGE RELAY
- TYPE VTH VARI--TIME RELAY
- TYPE XVR RELAY

INDEX



**TYPE VR VOLTAGE RELAY**

| Itm | OEM        | DESCRIPTION             | Itm | OEM       | DESCRIPTION              |
|-----|------------|-------------------------|-----|-----------|--------------------------|
| 01  | A29-81955A | Front Contact (movable) | *   | A29-7105A | VR Relay 7311.3 Complete |
| 02  | A29-2691A  | Rear Contact Assembled  | *   | T-3-139   | Locking Pin              |
| 03  | A29-2684   | Lock Nut                |     |           |                          |
| 04  | T-46-24    | Spring                  |     |           |                          |
| 05  | A18-1978   | Adjusting Stud          |     |           |                          |
| 05a | A77-24732  | Adj. Stud               |     |           |                          |
| 06  | A29-2689   | Adjusting Nut           |     |           |                          |
| 07  | A29-2671   | Rear Contact Bracket    |     |           |                          |
| 08  | T-7-36     | Aux. Stud               |     |           |                          |
| 08  | T-7-150    | Aux. Stud               |     |           |                          |
| 09  | A29-2668   | Magnet Frame            |     |           |                          |
| 10  | A29-2679   | Magnet Core             |     |           |                          |
| 11  | T-7-81     | Stud (magnet Core)      |     |           |                          |
| 11  | T-7-73     | Stud (magnet Core)      |     |           |                          |
| 12  | A29-2669   | Magnet Arm              |     |           |                          |
| 13  | A29-2681   | Adjusting Stud          |     |           |                          |
| 14  | A29-2680   | Adjusting Nut           |     |           |                          |
| 16  | T-2-33     | Coil Clamp              |     |           |                          |
| 17  | T-38-17    | Coil Washer             |     |           |                          |
| 18  | A29-2676   | Stud                    |     |           |                          |
| 19  | T-2-27     | Brass Washer            |     |           |                          |



**TYPE VTH VARI-TIME RELAY**

| ITM | OEM        | DESCRIPTION       | ITM | OEM            | DESCRIPTION                |
|-----|------------|-------------------|-----|----------------|----------------------------|
| 01  | A73-260922 | Mounting Base     | 14  | TB-148-3       | Coil, 115 VDC              |
| 02  | T-2-14     | Core Washer       | 15  | A18-2548       | Coil Clamp                 |
| 03  | T-24-41    | Core Spacer       | 16  | A73-257304A    | Assembled Arm              |
| 04  | T-121-12   | Hex Head Screw    | 17  | T-155-10       | Spring Lockwasher          |
| 04  | T-155-12   | Spring Lockwasher | 17  | T-120-150      | Screw                      |
| 05  | T-155-12   | Spring Lockwasher | 18  | A73-260924     | Operating Arm, 2-1/2" Long |
| 05  | T-120-176  | Brass Screw       | 18  | A73-260918     | Operating Arm, 4" Long     |
| 06  | A18-25359A | Frame             | 19  | A18-6710       | Coil Washer                |
| 07  | A18-2505A  | Assembled Core    | 20  | KKD-1          | Contact Block              |
| 08  | T-66-1     | Main Arm Pin      | 20  | KKD-2          | Contact Block              |
| 09  | A18-2536   | Stop Stud         | 20  | KKD-3          | Contact Block              |
| 10  | T-2-18     | Stop Stud Washer  | 21  | A73-257301     | Contact Mounting Bracket   |
| 11  | T-115-39   | Jam Nut           | 22  | T-155-10       | Spring Lockwasher          |
| 12  | A18-2547   | Stop Stud Nut     | 22  | T-120-105      | Screw                      |
| 13  | T-3-17     | Stop Stud Pin     | 23  | T-147-6        | Screw                      |
| 14  | TB-148-1   | Coil, 230 VDC     | *   | A73-260931-XXX | VTH Timing Relay           |
| 14  | TB-148-2   | Coil, 550 VDC     |     |                |                            |

This document utilizes an interactive table of contents to help you jump from one section to another. Click the button to return to the table of contents.

**RETURN TO  
TABLE OF CONTENTS**

106 TYPE B DC MAGNETIC BRAKES

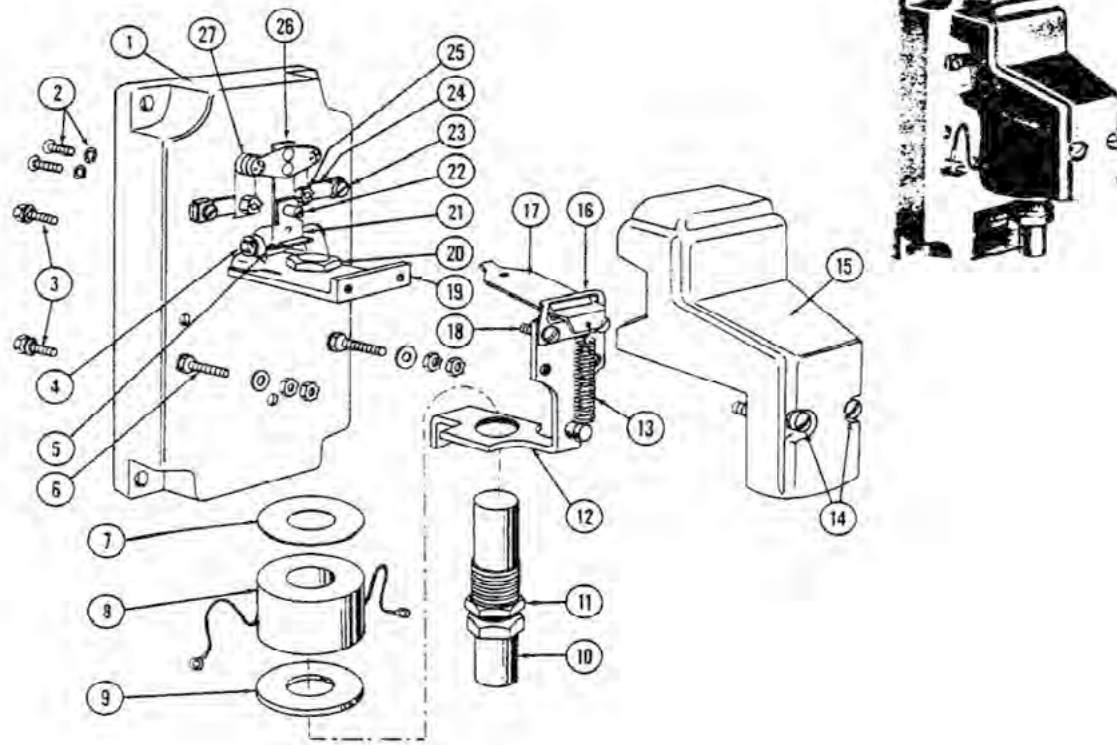
CONTACTORS

RELAYS & MASTER SWITCHES

- MASTER SWITCH--TYPE RD, RDS
- HATCHWAY LIMIT SWITCH, TYPE HL
- TYPE AP ANTI--PLUG RELAY
- TYPE CH RELAY
- TYPE FL FIELD LOSS RELAY
- TYPE P PLUGGING RELAY
- TYPE VT VARI--TIME RELAY
- TYPE VR VOLTAGE RELAY
- TYPE VTH VARI--TIME RELAY
- TYPE XVR RELAY

INDEX





**TYPE XVR RELAY**

This document utilizes an interactive table of contents to help you jump from one section to another. Click the button to return to the table of contents.

**RETURN TO TABLE OF CONTENTS**

106 TYPE B DC MAGNETIC BRAKES  
CONTACTORS

RELAYS & MASTER SWITCHES

- MASTER SWITCH--TYPE RD, RDS
- HATCHWAY LIMIT SWITCH, TYPE HL
- TYPE AP ANTI--PLUG RELAY
- TYPE CH RELAY
- TYPE FL FIELD LOSS RELAY
- TYPE P PLUGGING RELAY
- TYPE VT VARI--TIME RELAY
- TYPE VR VOLTAGE RELAY
- TYPE VTH VARI--TIME RELAY
- TYPE XVR RELAY

INDEX

| Itm     | OEM         | DESCRIPTION            | Itm     | OEM            | DESCRIPTION                 |
|---------|-------------|------------------------|---------|----------------|-----------------------------|
| 01..... | A73-260367  | Mounting Base          | 15..... | B73-260940     | Cover                       |
| 02..... | T-155-10    | Spring Lockwasher      | 16..... | A73-38666      | Retaining Clamp             |
| 02..... | T-120-152   | 10-32 X 3/4" Screw     | 17..... | A73-255674A    | Assembled Operating Arm     |
| 03..... | T-135-3     | Pre-Assem. Screw       | 18..... | T-155-10       | Spring Lockwasher           |
| 04..... | A73-259774  | Arm Bracket Pin        | 18..... | T-120-105      | Screw                       |
| 05..... | A29-4592    | Contact Arm Spring     | 19..... | A73-259773A    | Bracket                     |
| 06..... | T-155-10    | Spring Lockwasher      | 20..... | A29-30345      | Solenoid Plug               |
| 06..... | T-120-135   | Brass Screw            | 21..... | A29-30344      | Contact Arm Bracket         |
| 06..... | T-115-18    | Brass Nut              | 22..... | T-155-11       | Thin Spring Lockwasher      |
| 06..... | T-2-287     | #6 Black Burr          | 22..... | T-2-27         | Brass Washer                |
| 06..... | T-2-27      | Brass Washer           | 22..... | T-12-6         | Arm Stop Stud               |
| 07..... | T-38-22     | Coil Spacer (top)      | 22..... | T-155-7        | #8 Lock Washer              |
| 08..... | TB-118-3    | Coil                   | 22..... | T-115-11       | Brass Nut                   |
| 08..... | TB-118-5    | 115 Volt Coil          | 23..... | A77-166052     | Pressure Terminal           |
| 09..... | T-38-59     | Coil Spacer (bottom)   | 24..... | A73-257347     | Terminal Plate              |
| 10..... | A29-226286A | Adjusting Plug         | 25..... | E12501         | Terminal Nut                |
| 12..... | A29-35745A  | Assembled Frame        | 25..... | T-155-9        | 3/16" Lock Washer           |
| 13..... | A29-4610    | Spring (Red)           | 26..... | A29-4414A      | Assm. Front Movable Contact |
| 14..... | T-155-11    | Thin Spring Lockwasher | 27..... | A29-4412A      | Contact                     |
| 14..... | T-132-22    | Screw                  | *       | A73-260932-230 | TYPE 7328, XVR Relay        |

This document utilizes an interactive table of contents to help you jump from one section to another. Click the button to return to the table of contents.

**RETURN TO  
TABLE OF CONTENTS**

*106 TYPE B DC MAGNETIC BRAKES*

*CONTACTORS*

*RELAYS & MASTER SWITCHES*

*INDEX*

| OEM NUM         | DESCRIPTION                           | OEM NUM       | DESCRIPTION                             |
|-----------------|---------------------------------------|---------------|---|
| 115993          | Base, Front Connected 600-5RS         | A102-41260    | Shaft                                   |
| 115994          | Base, Front Connected 600-5RD         | A102-41262    | Spring Arm                              |
| 13-10040        | Counter Weight                        | A102-41264    | Insulator                               |
| 74U12           | Contactactor 50 Amp                   | A102-41266    | Roller Stud                             |
| 74U13           | Contactactor, Size 3                  | A102-41276    | Lever                                   |
| 74U131          | Nema 3, N.C. KS100 Contactactor       | A102-47167A   | Cam Equipment, 307-360 Contact Opening  |
| 74U14           | Nema 4 Contactactor SPNO              | A102-47168A   | Cam Equipment, 21 - 27 Contact Opening  |
| 74U15           | Nema 5 N.O.S.P. KD-300 Contactactor   | A102-52625    | Cam                                     |
| 74U151-240      | Nema 5 S.P.N.C. Contactactor Complete | A102-52858    | Cam Screw                               |
| A074-408572     | Nema 6 Spring Closed 5RS              | A102-53536    | Shaft                                   |
| A074-419606     | Nema 6 Contactactor 5RD               | A102-54633    | Spring Washer                           |
| A74-177676-1    | KKD-1 Contact Block                   | A102-77222A   | Assembled Contact Arm                   |
| A74-177676-2    | KKD-2 Contact Block                   | A106-167463A  | Shoe Clearance Arm Assy.                |
| A74-177676-3    | KKD-3 Contact Block                   | A106-194707A  | Armature                                |
| A74-177676-4    | KKD-7 Contact Block                   | A106-194720A  | Assembled Brake Shoe & Lining           |
| A74-177676-5    | KKD-8 Contact Block                   | A106-194723   | Torque Spring                           |
| A101-28943      | Slate, R.H & L.H.                     | A106-194731   | Eccentric Bushing                       |
| A101-28950      | Roller Arm Block                      | A106-194734A  | Brake Shoe without Lining               |
| A101-28951      | Cam Roller Arm                        | A106-194739   | Terminal Shield                         |
| A101-28958      | Cam Roller                            | A106-194770A  | Assembled Inner Arm                     |
| A101-28959      | Roller Arm Pin                        | A106-194771A  | Assembled Inner Arm & Shoe              |
| A101-28961      | Cam Roller Pin                        | A106-194772A  | Assembled Outer Arm                     |
| A101-28962      | Locknut                               | A106-194773A  | Assembled Outer Arm & Shoe              |
| A101-28964      | Stop Stud                             | A106-194774A  | Shoe Clamp Shaft & Stop Pin             |
| A101-28965A     | Movable Contact                       | A106-194776   | Shoe Clamp Cam                          |
| A101-28966A     | Stationary Contact                    | A106-194782   | Pressure Plate                          |
| A101-28969A     | Front Bearing Block                   | A106-194784A  | Outer Bar Eye                           |
| A101-28970A     | Rear Bearing Block Assembled          | A106-194786A  | Inner Bar Eye                           |
| A101-28972      | Quadrant 5 Position                   | A106-194805A  | Assembled Brake Shoe & Lining           |
| A101-28974      | Slate L.H.                            | A106-194815-2 | Bearing Pin, Inner Bar Eye              |
| A101-28975      | Slate, R.H. & L.H.                    | A106-194815-3 | Bearing Pin, Inner Bar Eye              |
| A101-34103A     | Slate Bracket Assembled               | A106-194815-4 | Bearing Pin, Inner Bar Eye              |
| A101-34104A     | Contact Arm                           | A106-194819A  | Armature                                |
| A101-34106      | Shaft & Quadrant Assembly             | A106-194822A  | Outer Bar Eye                           |
| A101-34114      | Contact Spring                        | A106-194823a  | Inner Bar Eye                           |
| A101-34115      | Lever                                 | A106-194824   | Bushing                                 |
| A101-34116      | Cam                                   | A106-194830   | Torque Spring                           |
| A101-34124      | Jumper                                | A106-194831   | Eccentric Bushing                       |
| A101-34125      | Connector                             | A106-194835   | Locking Collar                          |
| A101-38623      | Return Spring                         | A106-194836   | Bushing                                 |
| A101-41233      | Slate, R.H. & L.H.                    | A106-194850A  | Torque Indicator Rod                    |
| A101-41234      | Slate, R.H. & L.H.                    | A106-194859   | Spring                                  |
| A101-437572     | Knob                                  | A106-194861   | Rod Spring                              |
| A101-47100-1474 | Cam                                   | A106-194873   | Terminal Shield                         |
| A101-47100-475  | Cam                                   | A106-194876A  | Brake Shoe less lining                  |
| A101-62988      | Spring                                | A106-194877   | Locking Spring                          |
| A102-127784A    | Roller, Standard Cast Iron            | A106-194901-A | Complete Brake                          |
| A102-237818A    | Bearing Block, Assembled              | A106-194907   | Armature                                |
| A102-237819     | Locknut                               | A106-194913A  | Outer Arm, Complete                     |
| A102-237820-1   | Stud                                  | A106-194914A  | Assembled Outer Arm                     |
| A102-237820-2   | Contact Stud                          | A106-194919A  | Replace with A106-194984, Outer Bar Eye |
| A102-237821     | Stationary Contact                    | A106-194921A  | Replace with A106-194986, Inner Bar Eye |
| A102-302350A    | Roller Assembly                       | A106-194924   | Eccentric Bushing                       |
| A102-36408      | Roller, Textolite                     | A106-194927A  | Assembled Brake Shoe & Lining           |
| A102-37221A     | Front Bearing Block, Assembled        | A106-194930   | Torque Spring                           |
| A102-37222A     | Rear Bearing Block, Assembled         | A106-194938A  | Inner Arm, Complete                     |
| A102-37223A     | Slate Bracket, Assembled              | A106-194939A  | Inner Arm Assembled                     |
| A102-37231      | Cam Disc                              | A106-194940A  | Brake Shoe less lining                  |
| A102-37234      | Locknut                               | A106-194975A  | Shoe Clamp Shaft & Stop Pin             |
| A102-37242A     | Cam Equipment, 26-37 Contact Opening  | A106-194981   | Pressure Plate                          |
| A102-37243A     | Cam Equipment, 36-57 Contact Opening  | A106-194984A  | Outer Bar Eye                           |
| A102-37244A     | Cam Equipment, 56-97 Contact Opening  | A106-194986A  | Inner Bar Eye                           |
| A102-37245A     | Cam equipment, 96-177 Contact Opening | A106-200457A  | Armature                                |
| A102-37246A     | Cam Equipment 176-337 Contact Opening | A106-200471   | Eccentric Bushing Spacer                |
| A102-38680A     | Cam Equipment, 18-18 Contact Opening  | A106-200472A  | Brake Shoe less lining                  |
| A102-41253A     | Box, Assembled                        | A106-200474   | Eccentric Bushing                       |
| A102-41254A     | Cover, Assembled                      | A106-200477A  | Assembled Brake Shoe & Lining           |
| A102-41255A     | Contact Base Assembled                | A106-200480   | Torque Spring                           |
| A102-41256A     | Contact Base Assembled                | A106-200494A  | Shoe Clamp Shaft & Stop Pin             |
| A102-41257A     | Stationary Contact                    | A106-200496A  | 23" Folio 2 Clark Brake Complete        |
| A102-41258      | Contact Base Only                     | A106-200497A  | Outer Arm, Complete                     |



This document utilizes an interactive table of contents to help you jump from one section to another. Click the button to return to the table of contents.

**RETURN TO  
TABLE OF CONTENTS**

*106 TYPE B DC MAGNETIC BRAKES*

*CONTACTORS*

*RELAYS & MASTER SWITCHES*

*INDEX*

| OEM NUM       | DESCRIPTION                              | OEM NUM       | DESCRIPTION                  |
|---------------|--|---------------|------------------------------|
| A106-200498A  | Inner Arm, Complete                      | A106-65112    | Special Nut                  |
| A106-200499A  | Assembled Outer Arm                      | A106-65113    | Spring Seat                  |
| A106-200500A  | Inner Arm Assembled                      | A106-65114    | Torque Adj. Screw            |
| A106-200509   | Pressure Plate                           | A106-65127A   | 14" Brake Shoe Assembly      |
| A106-200536A  | Outer Arm, Complete                      | A106-65128A   | Bar Eye, RH                  |
| A106-200537A  | Assembled Outer Arm                      | A106-65129A   | Bar Eye, LH                  |
| A106-200538A  | Inner Arm, Complete                      | A106-65143    | Retainer, Bearing Pin        |
| A106-200539A  | Inner Arm Assembled                      | A106-79064    | Retainer, Bearing Pin        |
| A106-200540A  | Shoe Clamp Shaft & Stop Pin              | A106-79084A   | Magnet Coil & Case           |
| A106-200547   | Pressure Plate                           | A106-83010    | Brake Wheel                  |
| A106-200550A  | 13" SB-106B Brake, Folio 2               | A106-86160A   | 10" A106 Brake               |
| A106-200657A  | Armature                                 | A106-86162A   | Arm, Inner                   |
| A106-200664A  | Outer Arm, Complete                      | A106-86163A   | Arm, Outer                   |
| A106-200665A  | Assembled Outer Arm                      | A106-86169A   | 10" Brake Shoe               |
| A106-200672A  | Outer Bar Eye                            | A106-86170    | Bushing, Brake Shoe Guide    |
| A106-200674A  | Inner Bar Eye                            | A106-86171A   | Brake Shoe Friction Assy.    |
| A106-200677   | Eccentric Bushing                        | A106-86174    | Adj. Bar                     |
| A106-200678   | Locking Collar                           | A106-86175    | Shoe Equalizing Spring       |
| A106-200679   | Locking Spring                           | A106-86245    | Retainer Plate               |
| A106-200680A  | Assembled Brake Shoe & Lining            | A106-86246A   | Magnet Coil                  |
| A106-200683   | Torque Spring                            | A106-86247    | Lead Bushing                 |
| A106-200684   | Pressure Plate                           | A106-86248    | Lead Cover                   |
| A106-200685   | Torque Nut                               | A107-111158A  | Assembled Top Band           |
| A106-200686   | Bushing                                  | A107-111159A  | Assembled Bottom Band        |
| A106-200687   | Bushing                                  | A109-298734-1 | Pin                          |
| A106-200688   | Shoe Clamp Cam                           | A12-10139     | Link                         |
| A106-200691   | Retainer Plate                           | A12-14891A    | Assembled Magnet Core        |
| A106-200692   | Torque Adjusting Screw                   | A12-1508      | Assembled Shading Coil       |
| A106-200693A  | Inner Arm, Complete                      | A12-1509      | Assembled Shading Coil       |
| A106-200694A  | Inner Arm Assembled                      | A12-1512      | Adjusting Bushing            |
| A106-200704A  | Brake Shoe Less Lining                   | A12-1513      | Magnet Cover                 |
| A106-200706   | Spring Sleeve                            | A12-1517A     | Armature Adjusting Lever     |
| A106-200709A  | Shoe Clamp Shaft & Stop Pin              | A12-1518A     | Upper Section                |
| A106-200715   | Pressure Plate                           | A12-1520      | Coil Spider, Front           |
| A106-200718A  | Outer Bar Eye                            | A12-1521      | Coil Spider, Rear            |
| A106-200720A  | Inner Bar Eye                            | A12-1527      | Lead Clamp                   |
| A106-200722A  | 19" Clark-Challenger Brake B106, Folio 2 | A12-1528      | Shading Coil Insulator       |
| A106-220139-4 | Torque Adj. Screw                        | A12-1529      | Lead Bushing                 |
| A106-230101   | 8" Brake Assembly                        | A12-1530      | Toggle Spring                |
| A106-230105A  | Armature                                 | A12-1550      | Magnet Arm Adjusting Bushing |
| A106-230111A  | Assembled Outer Arm                      | A12-17631A    | Assembled Frame              |
| A106-230113A  | Assembled Inner Arm                      | A12-26981     | Wear Plate                   |
| A106-230116A  | Adjusting Bar                            | A12-26983     | Bushing                      |
| A106-230122A  | Outer Bar Eye                            | A-12-27       | Coil                         |
| A106-230124A  | Inner Bar Eye                            | A12-32751A    | Coil And Case Assembly       |
| A106-230128A  | Assembled Brake Shoe & Lining            | A12-38785     | Brake Lining                 |
| A106-230129A  | Brake Shoe, Less Lining                  | A12-532       | Inner Yoke Stud              |
| A106-230131   | Shoe Lining                              | A12-539       | Adjusting Screw              |
| A106-230132A  | Bushing                                  | A12-540       | Special Lock Nut             |
| A106-230135   | Torque Spring                            | A12-546       | Armature Plate Adj. Screw    |
| A106-230136A  | Pressure Plate                           | A12-548       | Clamp Block                  |
| A106-230138   | Spring Seat                              | A12-585A      | Outer Spring Yoke            |
| A106-230138-2 | Spring Seat                              | A12-586A      | Assembled Inner Yoke         |
| A106-230138-3 | Spring Seat                              | A12-592A      | Band Support Yoke            |
| A106-230138-4 | Spring Seat                              | A12-600       | Brake Wheel, Stud            |
| A106-230138-5 | Spring Seat                              | A12-612       | Special Lock Nut             |
| A106-230138-6 | Spring Seat                              | A12-63761     | Coil Spider Screw            |
| A106-230139-1 | Torque Adjusting Screw                   | A12-8260      | Bushing                      |
| A106-230139-2 | Torque Adj. Screw                        | A12-9041A     | Assembled Magnet Armature    |
| A106-230139-3 | Torque Adj. Screw                        | A13-10002A    | Frame                        |
| A106-230139-4 | Torque Adj. Screw                        | A13-10003A    | Frame                        |
| A106-230140   | Bushing                                  | A13-10018A    | Core (LT)                    |
| A106-230141A  | Shoe Retainer Plate Assembly             | A13-10028     | Core (LD)                    |
| A106-230147   | Bearing Pin, Inner Bar Eye               | A13-10040     | Counter Weight               |
| A106-230148   | Retainers, Bearing Pin                   | A13-10518     | Auxiliary Contact Bracket    |
| A106-230158   | Release Spring, Outer Arm                | A13-112966A   | Assembled Movable Contact    |
| A106-65072    | Retainer, Bearing Pin                    | A13-118689A   | Stop Post                    |
| A106-65073    | Brake Lining                             | A13-26381A    | Arm                          |
| A106-65074A   | Brake Shoe Assembly                      | A13-26382A    | Arm                          |
| A106-65091    | Pressure Plate                           | A13-26383     | Coil Clamp                   |
| A106-65098    | Lining                                   | A13-26384     | Terminal Plate               |

This document utilizes an interactive table of contents to help you jump from one section to another. Click the button to return to the table of contents.

**RETURN TO  
TABLE OF CONTENTS**

*106 TYPE B DC MAGNETIC BRAKES*

*CONTACTORS*

*RELAYS & MASTER SWITCHES*

*INDEX*

| OEM NUM        | DESCRIPTION                           | OEM NUM    | DESCRIPTION                            |
|----------------|---------------------------------------|------------|--|
| A13-26386A     | Contact Form 50-2LD                   | A16-29371A | Main Contact Arm                       |
| A13-26615      | Base Plate                            | A16-29371A | Main contact arm                       |
| A13-26891A     | Form 25-2L3D Magnetic Contactor       | A16-30280  | Blowout Coil, Front or Back Connected  |
| A13-26896A     | Arc Shield & Blowout Coil, Assembled  | A16-30281  | Blowout Coil                           |
| A13-27318A     | Contact Form, Complete 50-2LT         | A16-30281A | Blowout Coil Assembly, Back Connected  |
| A13-27340      | Contact Holder, Movable               | A16-30282  | Blowout Terminal, Front Connected      |
| A13-27350      | Blowout Coil                          | A16-30283A | Blowout Coil Assembly, Front Connected |
| A13-29444      | Coil                                  | A16-30285A | Moving Contact Support Assembled       |
| A13-30296      | Arm Insulator                         | A16-30546  | Stop Screw for Moving Contact Support  |
| A13-30297      | Spacer                                | A16-30548A | Moving Contact Support                 |
| A13-30300A     | Contact Form 50-2L2D                  | A16-30549  | Blowout Coil                           |
| A13-32683A     | Contact Form, Complete 50-2L2T        | A16-30557  | Blowout Terminal                       |
| A13-33450A     | Contact Form, Complete 50-2L3D        | A16-30558A | Blowout Coil Assembly, Front Connected |
| A13-35673      | Blowout Coil                          | A16-30563A | Main Contact Arm                       |
| A13-37938      | Counter Weight Bracket                | A16-31753  | Main Contact Arm                       |
| A13-40677A     | Arc Shield                            | A16-31756  | B/O Coil                               |
| A13-42827      | Operating Finger                      | A16-31757  | Contact Stud                           |
| A13-42830      | Insulator                             | A16-31758  | Blowout Stud, Back Connected           |
| A13-5391A      | Latch Frame                           | A16-31765  | Blowout Stud, Front Connected          |
| A13-5928       | Arm Insulator                         | A16-31771A | Form 100-3L3A A.C. Contactor           |
| A13-67295      | Insulating Washer                     | A16-36451A | Magnet Core                            |
| A13-74585A     | Stop Post                             | A16-36451A | Magnet Core                            |
| A13-912A       | Connector                             | A16-36452A | Magnet Arm                             |
| A13-913A       | Connector                             | A16-36452A | Magnet Arm                             |
| A13-915A       | Contact Plate                         | A16-36462  | Operating Arm                          |
| A13-930        | Contact                               | A16-36463  | Operating Stud                         |
| A13-931        | Contact holder                        | A16-36464  | Stop Stud, 1 1/4" Slate                |
| A13-935        | Arm Insulator                         | A16-37269  | Moving Cont. Sup. Stop Screw           |
| A13-965        | Contact Spring Pin                    | A16-37786  | Blowout Core                           |
| A14-1074       | Wire Clamp                            | A16-38176  | Contact Stud or Bracket                |
| A14-1075A      | Terminal Tap, 5-25 Amp                | A16-44602A | Blowout Coil Assembly, back Connected  |
| A16-100636A    | Blowout Coil Assembly, Back Connected | A16-44603  | Blowout coil, front or back Connected  |
| A16-10263A     | Stationary Tip                        | A16-44604A | Moving Contact Support Assembled       |
| A16-10264A     | Aux. Contact Stationary               | A16-59697A | Blowout coil Assembly, front Connected |
| A16-10265A     | Movable Contact                       | A16-59698  | Blowout Terminal, front Connected      |
| A16-104-193992 | Blowout Coil                          | A16-6930A  | Arc Shield, Assembly                   |
| A16-10878A     | Adj. Screw                            | A16-6931A  | Connector, 300 Amp                     |
| A16-11228      | Blowout Ear, L.H.                     | A16-6940   | Main Contact Arm Clamp                 |
| A16-11229      | Blowout Ear, R.H.                     | A16-6942   | Operating Arm Clamp                    |
| A16-11338A     | Contact                               | A16-6950   | Connector Stud                         |
| A16-11338A     | Auxiliary Contact, Stationary         | A16-6951   | Blowout Core                           |
| A16-11537      | Arc Barrier, Rear                     | A16-6957   | Arc Horn, Rear                         |
| A16-11544      | Contact                               | A16-7965A  | Arc Shield Assembly                    |
| A16-12138      | Contact                               | A16-7966A  | Connector                              |
| A16-12674      | Contact                               | A16-7967A  | Magnet Core                            |
| A16-12844A     | Connector, 400 Amp                    | A16-7968A  | Magnet Arm                             |
| A16-12844A     | Connector                             | A16-7975   | Main Contact Arm Clamp                 |
| A16-13411A     | Shaft Bearing                         | A16-7977   | Operating Arm Clamp                    |
| A16-13681      | Operating Arm                         | A16-7978   | Operating Stud                         |
| A16-15733      | Contact                               | A16-7980   | Contact                                |
| A16-18115      | Connector Stud                        | A16-7981A  | Adjusting Screw                        |
| A16-18684A     | Contact                               | A16-7982   | Magnet Arm Adjusting Bushing           |
| A16-18890A     | Moving Contact Support, Assembled     | A16-7989   | Magnet Core Mounting Angle             |
| A16-1929A      | Magnet Core                           | A16-7993   | Stop Stud, 1-1/4" Slate                |
| A16-1930A      | Magnet Arm                            | A16-8002   | Connector Stud                         |
| A16-1934       | Shaft Bearing                         | A16-8003   | Blowout Core                           |
| A16-1936       | Contact (Main-Mov. & Sta.)            | A16-8005   | Arc Barrier, Rear                      |
| A16-1939       | Main Contact Arm Clamp                | A16-8006   | Angle Arc Barrier                      |
| A16-1940       | Operating Arm                         | A16-8007   | Arc Horn, Rear                         |
| A16-1941       | Operating Arm Clamp                   | A16-8008   | Arc Horn, Front                        |
| A16-1947       | Blowout Core                          | A16-8009   | Contact Spring                         |
| A16-1950       | Blowout Washer                        | A16-8011A  | Shading Coil, 60 Cycle                 |
| A16-1951       | Magnet Core Mounting Angle            | A16-8012A  | Shading Coil, 25 Cycle                 |
| A16-1952       | Magnet Arm Adj. Bushing               | A16-8113A  | Connector                              |
| A16-1957       | Operating Stud                        | A16-8124   | Arc Barrier, Rear                      |
| A16-1960       | Stop Stud, 1-1/4" Slate               | A16-8126   | Arc Horn, Rear                         |
| A16-1964       | Shaft Spacer                          | A16-8159   | Arc Barrier, Rear                      |
| A16-1969       | Shading Coil, 60 Cycle                | A16-8161   | Shaft Spacer                           |
| A16-1970       | Shading Coil, 25 Cycle                | A16-8165A  | Shaft bearing                          |
| A16-24811      | Contact                               | A16-8165A  | Shaft Bearing                          |
| A16-25853      | Stud Connector                        | A16-8166A  | Shading Coil, 60 cycle                 |

This document utilizes an interactive table of contents to help you jump from one section to another. Click the button to return to the table of contents.

**RETURN TO  
TABLE OF CONTENTS**

*106 TYPE B DC MAGNETIC BRAKES*

*CONTACTORS*

*RELAYS & MASTER SWITCHES*

*INDEX*

| OEM NUM    | DESCRIPTION                   | OEM NUM    | DESCRIPTION                    |
|------------|-------------------------------|------------|--------------------------------|
| A16-8166A  | Shading Coil, 60 Cycle        | A18-23689  | Blowout Coil                   |
| A16-8167A  | Shading Coil, 25 Cycle        | A18-23690  | Blowout Stud                   |
| A16-8167A  | Shading Coil, 25 Cycle        | A18-23691  | Contact Stud                   |
| A16-8175   | Auxiliary Contact Spring Stud | A18-23692  | Blowout Spacer                 |
| A16-92608A | B/O Coil Assembly             | A18-23693A | Blowout Coil, Assembly         |
| A18-10029  | Contact                       | A18-23694  | Blowout Coil                   |
| A18-10404A | Control Contact               | A18-23695  | Blowout Stud                   |
| A18-10496  | Adjusting Wheel               | A18-23696  | Contact Stud                   |
| A18-10497A | Lock Spring                   | A18-23697  | Blowout Spacer                 |
| A18-10555A | Core Assembly                 | A18-23883A | Blowout Coil, Assembly         |
| A18-10732A | Core Assembly                 | A18-23933A | Arm Assembled                  |
| A18-10736A | Core Assembly                 | A18-24296  | Moving Contact Support Pin     |
| A18-11185  | Connector Stud                | A18-24297  | Moving Contact Support Pin     |
| A18-11186  | Blowout Stud                  | A18-24376  | Connector Stud                 |
| A18-11187A | Connector                     | A18-24378  | Moving Contact Support Pin     |
| A18-11500  | Contact Stud                  | A18-24379  | Moving Contact Support Pin     |
| A18-11841  | Blowout Core                  | A18-24397  | Coil Washer                    |
| A18-11842  | Core                          | A18-2505A  | Assembled Core                 |
| A18-13527A | Coil Clamp                    | A18-2510A  | Connector                      |
| A18-13627A | Coil Clamp                    | A18-2518   | Contact Spring-Back Connected  |
| A18-13663  | Coil Clamp                    | A18-2528   | Blowout Ear, R.H.              |
| A18-13823A | Contact                       | A18-2529   | Blowout Ear, L.H.              |
| A18-13824A | Aux. Contact                  | A18-25337A | Main Arm Assembly              |
| A18-14185A | Core                          | A18-25339A | Main Arm, Assembly             |
| A18-14187A | Core                          | A18-2534   | Arc Horn, Front                |
| A18-152938 | Arc Horn, Rear                | A18-25341A | Main Arm Assembly              |
| A18-16994  | Connector Stud                | A18-25343A | Main Arm Assembly              |
| A18-18205A | Blowout Coil, Assembly        | A18-25344A | Bill of Material (80% Duty)    |
| A18-18206  | Blowout Coil                  | A18-25347A | Main Arm Assembly              |
| A18-1978   | Adjusting Stud                | A18-25349A | Main Arm Assembly              |
| A18-21305  | Arc Shield Side Plate         | A18-2535   | Stop Stud                      |
| A18-21322  | Arc Shield Side Plate         | A18-25351A | Main Arm Assembly              |
| A18-21323  | Arc Barrier, Front            | A18-25355A | Main Arm Assembly              |
| A18-21324  | Arc Barrier, Front            | A18-25357A | Frame                          |
| A18-21378  | Arc Shield Side Plate         | A18-25359A | Frame                          |
| A18-21379  | Arc Barrier, Front            | A18-2536   | Stop Stud                      |
| A18-21380  | Arc Shield Side Plate         | A18-25361A | Frame                          |
| A18-21381  | Arc Barrier, Front            | A18-25363A | Frame                          |
| A18-21984A | Arc Shield, Assembly          | A18-25365A | Frame                          |
| A18-22004  | Arc Barrier, Front            | A18-25367A | Frame                          |
| A18-22005  | Arc Barrier, Front            | A18-25369A | Frame                          |
| A18-22026A | Arc Shield, Assembly          | A18-25371A | Frame                          |
| A18-22027A | Arc Shield, Assembly          | A18-25373A | Frame                          |
| A18-22028A | Arc Shield, Assembly          | A18-2542   | Aux. Contact Plate             |
| A18-22028A | Arc Shield, Assembly          | A18-2543   | Aux. Contact Base Plate        |
| A18-22029A | Arc Shield, Assembly          | A18-2544   | Control Cont. Insulator        |
| A18-22030A | Arc Shield, Assembly          | A18-2544   | Aux. Contact Insulator         |
| A18-22649  | Coil Washer                   | A18-2547   | Stop Stud Nut                  |
| A18-22714  | Moving Contact Support Pin    | A18-2548   | Coil Clamp                     |
| A18-22986A | Contact                       | A18-25488A | Frame                          |
| A18-22987A | Aux. Contact (C.T. Sta.)      | A18-25490A | Frame                          |
| A18-22989A | Main Arm Assembly             | A18-25491  | Frame                          |
| A18-22991  | Frame                         | A18-25492A | Frame                          |
| A18-22993A | Operating Spring Adj, Screw   | A18-25499A | Bill of Material (80% Duty)    |
| A18-22994A | Core Assem.                   | A18-25500A | Bill of Material (100% Duty)   |
| A18-22996  | Coil Clamp                    | A18-2551   | Connector Stud                 |
| A18-22997  | Stop Plate                    | A18-2551   | Connector Stud                 |
| A18-22998  | Control Contact Insulator     | A18-25551A | 100-4RD Contactor Complete     |
| A18-22999  | Operating Spring              | A18-25558A | 150-4RD Contactor Complete     |
| A18-23678A | Blowout Coil, Assembly        | A18-25570A | 300-4RD Contactor Complete     |
| A18-23679  | Blowout Coil                  | A18-25575A | 400-4RD Contactor Complete     |
| A18-23680  | Blowout Stud                  | A18-25582A | 600-4RD Contactor Complete     |
| A18-23681  | Contact Stud                  | A18-25586A | 900-4RD Contactor Complete     |
| A18-23682  | Blowout Spacer                | A18-25587  | Insulator Arm (R.H.)           |
| A18-23683A | Blowout Coil Assembly         | A18-25588  | Insulator Arm (L.H.)           |
| A18-23684  | Blowout Coil                  | A18-2564A  | Core Assembled                 |
| A18-23685  | Blowout Stud, Back Connected  | A18-2588   | Stop Plate                     |
| A18-23685  | Blowout Stud                  | A18-26288A | Main Contact Support-Back Conn |
| A18-23686  | Contact Stud                  | A18-26290A | Main Contact Support-Back Conn |
| A18-23687  | Blowout Spacer                | A18-26292A | Main Contact Support-Back Conn |
| A18-23688A | Blowout Coil, Assembly        | A18-26294A | Main Contact Support-Back Conn |

This document utilizes an interactive table of contents to help you jump from one section to another. Click the button to return to the table of contents.

**RETURN TO  
TABLE OF CONTENTS**

*106 TYPE B DC MAGNETIC BRAKES*

*CONTACTORS*

*RELAYS & MASTER SWITCHES*

*INDEX*

| OEM NUM    | DESCRIPTION                         | OEM NUM      | DESCRIPTION                           |
|------------|-------------------------------------|--------------|---------------------------------------|
| A18-26296A | Main Contact Support-Back Conn      | A18-9098     | Arc Horn, Rear                        |
| A18-27618  | Coil Washer                         | A18-9099     | Arc Horn, Front                       |
| A18-31750A | Tip                                 | A18-9101     | Blowout Ear, L.H.                     |
| A18-3469   | Core                                | A18-9102     | Blowout Ear, R.H.                     |
| A18-3498   | Contact Spring                      | A18-9103     | Contact Spring-Back Connected         |
| A18-3504   | Contact (Main-Mov. & Sta.)          | A18-9106     | Stop Stud                             |
| A18-3510   | Blowout Ear, R.H.                   | A18-9109A    | Control Contact                       |
| A18-3511   | Blowout Ear, L.H.                   | A18-9110A    | Control Contact N.O.                  |
| A18-3514   | Arc Shield Side Plate               | A18-9121A    | Blowout Coil, Assembly                |
| A18-3516   | Arc Horn, Front                     | A18-9356A    | Connector                             |
| A18-3518   | Stop Stud                           | A18-9374     | Core                                  |
| A18-3519   | Stop Stud                           | A18-9378     | Stop Stud                             |
| A18-3520   | Stop Stud Nut                       | A18-9383     | Contact Spring-Back Connected         |
| A18-3539   | Stop Plate                          | A18-9464A    | Movable Contact                       |
| A18-3590   | Contact Spacer Plate                | A18-9464A    | Auxiliary Contact Bar, Movable        |
| A18-3590   | Contact Spacer Plate                | A18-9465A    | Control Contact                       |
| A18-3610   | Control Cont. Insul.                | A18-9466A    | Contact                               |
| A18-3742   | Spring Screw                        | A18-9469     | Mov Contact Support Lock Nut          |
| A18-4950A  | Arc Shield Assembly                 | A18-9474-10  | Main Arm Bushing, Lower               |
| A18-4972   | Arc Shield Side Plate, R.H.         | A18-9474-11  | Main Arm Bushing, Lower               |
| A18-4973   | Arc Shield Side Plate, L.H.         | A18-9474-12  | Main Arm Bushing, Lower               |
| A18-4974   | Coil Clamp                          | A18-9474-13  | Main Arm Bushing, Lower               |
| A18-5063A  | Core                                | A18-9474-14  | Main Arm Bushing, Lower               |
| A18-5065A  | Mov Contact Support Adj Screw       | A18-9474-6   | Main Arm Bushing, Upper               |
| A18-5103A  | Core                                | A18-9474-9   | Main Arm Bushing, Lower               |
| A18-5558A  | Connector                           | A18-9477     | Aux. Contact Stud                     |
| A18-5559A  | Core                                | A18-9481     | Stop                                  |
| A18-5560A  | Core                                | A18-9483     | Spring                                |
| A18-5570   | Arc Shield Side Plate,R.H. and L.H. | A18-9491-1   | Main Arm Bushing, Upper               |
| A18-5571   | Arc Barrier, Rear                   | A18-9491-2   | Main Arm Bushing, Upper               |
| A18-5573   | Blowout Ear, R.H.                   | A18-9491-3   | Main Arm Bushing, Upper               |
| A18-5574   | Blowout Ear, L.H.                   | A18-9491-4   | Main Arm Bushing, Upper               |
| A18-5579   | Core                                | A29-10062A   | Overload Relay, Form LT               |
| A18-5581   | Contact                             | A29-10063A   | Overload Relay, Form LI               |
| A18-5583   | Arc Horn, Front                     | A29-10066    | Solenoid Plug                         |
| A18-5586   | Aux. Contact Insulator              | A29-118687   | Stop Post                             |
| A18-5587   | Coil Clamp                          | A29-16351A   | AP Relay Complete                     |
| A18-5593   | Connector Stud                      | A29-226286A  | Adjusting Plug                        |
| A18-5594A  | Mov Contact Support Adj. Screw      | A29-2653-A   | FA Relay, Bulletin SP-7311.1          |
| A18-5597   | Contact Spring-Back Connected       | A29-2656-1   | Blowout Coil, 2 Amp                   |
| A18-61330  | Stop Stud                           | A29-2656-2   | Blowout Coil, 5 Amp                   |
| A18-66731  | Coil Clamp                          | A29-2656A    | Blowout Coil Assembled                |
| A18-66732  | Coil Clamp                          | A29-2659A    | Arc Shield Assembly                   |
| A18-6710   | Coil Washer                         | A29-2668     | Magnet Frame                          |
| A18-68632A | 100-SRS Contactor, Spring Closed    | A29-2669     | Magnet Arm                            |
| A18-68633A | 150-SRS Contactor, Spring Closed    | A29-2671     | Rear Contact Bracket                  |
| A18-6950   | Connector Stud                      | A29-2676     | Stud                                  |
| A18-7987A  | Mov Contact Support Adj. Screw      | A29-2679     | Magnet Core                           |
| A18-8002   | Connector Stud                      | A29-2680     | Adjusting Nut                         |
| A18-80338  | Stop Stud                           | A29-2681     | Adjusting Stud                        |
| A18-80356  | Contact                             | A29-2684     | Lock Nut                              |
| A18-8124   | Arc Barrier, Rear                   | A29-2688     | Adjusting Stud, Front                 |
| A18-8159   | Arc Barrier, Rear                   | A29-2689     | Adjusting Nut                         |
| A18-8863A  | Connector                           | A29-2691A    | Rear Contact Assembled                |
| A18-8864A  | Core                                | A29-2703-12  | Coil                                  |
| A18-8866A  | Core                                | A29-2703A-12 | Coil                                  |
| A18-8883   | Core                                | A29-2703-A14 | Coil                                  |
| A18-8887   | Coil Clamp                          | A29-2703-A15 | Coil                                  |
| A18-8890   | Stop Stud                           | A29-2703-A16 | Coil                                  |
| A18-8897   | Contact Spring-Back Connected       | A29-2703A-17 | Coil, 40-50 VDC                       |
| A18-8925   | Stop Plate                          | A29-2703A-18 | Coil, 125 VDC                         |
| A18-9012   | Blowout Ear R. H.                   | A29-2703A-19 | Coil, 550 VDC                         |
| A18-9060A  | Shunt                               | A29-2705A    | Magnet Core Assembled                 |
| A18-9076A  | Mov Contact Support Adj. Screw      | A29-2706     | Adjusting Stud                        |
| A18-9079   | Blowout Core                        | A29-29628    | Stationary Contact Stud               |
| A18-9085   | Contact Stud                        | A29-29629    | Blowout Terminal Stud (2" Slate)      |
| A18-9090   | Blowout Coil                        | A29-30344    | Contact Arm Bracket                   |
| A18-9091   | Contact                             | A29-30345    | Solenoid Plug                         |
| A18-9092   | Connector Stud                      | A29-32124A   | Blowout Coil                          |
| A18-9093   | Blowout Stud                        | A29-3341A    | Magnetic Relay, Type P-Plugging Relay |
| A18-9096   | Arc Barrier, Rear                   | A29-3342A    | Arm Assembled                         |



This document utilizes an interactive table of contents to help you jump from one section to another. Click the button to return to the table of contents.

**RETURN TO  
TABLE OF CONTENTS**

*106 TYPE B DC MAGNETIC BRAKES*

*CONTACTORS*

*RELAYS & MASTER SWITCHES*

*INDEX*

| OEM NUM       | DESCRIPTION                               | OEM NUM        | DESCRIPTION                                |
|---------------|---|----------------|--|
| A29-3343A     | Core Assembled (top)                      | A73-260922     | Mounting Base                              |
| A29-3344A     | Core Assembled (bottom)                   | A73-260924     | Operating Arm, 2-1/2" Long                 |
| A29-3345A     | Magnet Frame Assembled                    | A73-260931-XXX | VTH Timing Relay                           |
| A29-3351      | Magnet Plate (rear)                       | A73-260942A    | Cover                                      |
| A29-3352      | Magnet Plate (front)                      | A73-280057     | Base                                       |
| A29-3353      | Stop Stud                                 | A73-32460A     | Contact w/Silver Tip                       |
| A29-34051A    | Type FL Field Loss Relay                  | A73-38561      | Insulator Arm                              |
| A29-34053     | Coil Clamp                                | A73-38666      | Retaining Clamp                            |
| A29-34054     | Magnet Core                               | A73-39220      | Control Cont. Insulator                    |
| A29-34055     | Magnet Core Extension                     | A73-46228      | Slotted Nut                                |
| A29-34056     | Stud, (Magnet Arm)                        | A73-49006      | Spl. Cotter Pin                            |
| A29-34057     | Magnet Core Tube                          | A73-85074      | Spring                                     |
| A29-35745A    | Assembled Frame                           | A73-94385A     | Coil                                       |
| A29-40173     | Retaining Clamp                           | A74-144438A    | Mov Contact Support-Front Conn.            |
| A29-4409A     | Frame Assembled                           | A74-190300     | Stationary Contact                         |
| A29-4412A     | Contact                                   | A74-207723A    | Silver Contact Tip                         |
| A29-4413A     | Movable Contact Arm Assembled             | A74-207727A    | Stationary Contact, Silver                 |
| A29-4414A     | Assm. Front Movable Contact               | A74-207728A    | Silver Movable Contact                     |
| A29-4420A     | Frame Bracket                             | A74-239877A    | Connector Terminal (Front)                 |
| A29-4421      | Cover                                     | A74-243802     | Arc Shield Spring Clip                     |
| A29-4424      | Lock Nut                                  | A74-243803     | Arc Shield Pivot Support                   |
| A29-4433      | Stud (Coil Terminal)                      | A74-243804-1   | Rear Arc Runner                            |
| A29-4591      | Dowel Pin                                 | A74-243804-2   | Rear Arc Runner                            |
| A29-4592      | Contact Arm Spring                        | A74-243805-1   | Blowout Clip                               |
| A29-4607      | Bushing                                   | A74-243805-2   | Blowout Clip                               |
| A29-4608      | Reset Button                              | A74-243806     | Blowout Washer                             |
| A29-4609      | Reset Rod, Fibre                          | A74-243807-1   | Blowout Core Insulator                     |
| A29-4610      | Spring (red)                              | A74-243807-2   | Blowout Core Insulator                     |
| A29-5952      | Magnet Arm                                | A74-243807-3   | Blowout Core Insulator                     |
| A29-65153     | Coil Clamp                                | A74-243808-1   | Blowout Core                               |
| A29-7105A     | VR Relay 7311.3 Complete                  | A74-243808-2   | Blowout Core                               |
| A29-71143A    | Reset Equipment for manual reset          | A74-243809     | Blowout Ears                               |
| A29-71144     | Reset Block                               | A74-243812-A   | Blowout Coil Assembly                      |
| A29-75087     | Blowout Terminal Stud (3/4"-1 1/2" Slate) | A74-243820     | Coil Spring Washer                         |
| A29-81955A    | Front Contact (movable)                   | A74-243823-A   | Coil Retainer                              |
| A29-82927A    | Front Contact Assembled                   | A74-243824-1   | Front Connector Plate                      |
| A53-23837     | Contact Holder, Stationary                | A74-243824-2   | Front Connector Plate                      |
| A53-23838A    | Arc Shield And B/O Assembled              | A74-243825-1   | Shoulder Bolt                              |
| A53-23839     | Blowout Coil                              | A74-243825-2   | Shoulder Bolt                              |
| A53-23841     | Arc Shield Side Piece                     | A74-243832     | Spring Retainer                            |
| A59-12650     | Contact                                   | A74-243833     | Spring                                     |
| A73-218639A   | Assembled B/O & Arc Shield                | A74-243835-A   | Pivot Support Assembly                     |
| A73-225674A   | Operating Arm, Assembled                  | A74-243841-1   | Contact Spring Retainer                    |
| A73-24091     | Contact Support                           | A74-243841-2   | Contact Spring Retainer                    |
| A73-24295A    | Contact                                   | A74-243842     | Clamp                                      |
| A73-24298     | Stud                                      | A74-244353-A   | Blowout Coil Assembly                      |
| A73-24680A    | Contact Arm                               | A74-244356     | Stationary Contact                         |
| A73-255674A   | Assembled Operating Arm                   | A74-244360-1   | Spacer                                     |
| A73-257301    | Contact Mounting Bracket                  | A74-244360-2   | Spacer                                     |
| A73-257304A   | Assembled Arm                             | A74-244360-3   | Spacer                                     |
| A73-257341    | Mounting Base                             | A74-244360-4   | Spacer                                     |
| A73-257344A   | Assembled Arm                             | A74-244363     | Movable Contact                            |
| A73-257347    | Terminal Plate                            | A74-244379     | Coil Spring Washer                         |
| A73-259773A   | Assembled Frame Bracket                   | A74-244395     | Stationary Contact Screw                   |
| A73-259773A   | Bracket                                   | A74-250811     | Arc Shield Spring Clip                     |
| A73-259774    | Arm Bracket Pin                           | A74-250812     | Arc Shield Pivot Support                   |
| A73-260367    | Mounting Base                             | A74-250814     | Stationary Contact                         |
| A73-260368A   | Coil                                      | A74-250815     | Blowout Clip                               |
| A73-260369A   | Coil                                      | A74-250816     | Blowout Washer                             |
| A73-260370A1  | Coil, 900 Amp.                            | A74-250818-A   | Pivot Support Assembly                     |
| A73-260371A   | Coil                                      | A74-250819     | Blowout Ears                               |
| A73-260375-A1 | Coil                                      | A74-250822-A   | Blowout Coil Assembly                      |
| A73-260375-A2 | Coil                                      | A74-250825     | Mechical Interlock                         |
| A73-260375-A3 | Coil                                      | A74-250829     | Contact Spring Retainer                    |
| A73-260376-A1 | Coil                                      | A74-250833     | Spring                                     |
| A73-260376-A2 | Coil                                      | A74-250834     | Spring Retainer                            |
| A73-260376-A3 | Coil                                      | A74-250840-A   | Coil Retainer                              |
| A73-260376-A4 | Coil                                      | A74-250846-A   | Clamp                                      |
| A73-260376A-5 | Coil, 110 Amp.                            | A74-250847     | Blowout Core                               |
| A73-260390A   | Coil                                      | A74-252230     | Contact Arm                                |
| A73-260918    | Operating Arm, 4" Long                    | A74-253001     | Mechical Interlock, Nema 3 & 4, 5" Spacing |



This document utilizes an interactive table of contents to help you jump from one section to another. Click the button to return to the table of contents.

**RETURN TO  
TABLE OF CONTENTS**

*106 TYPE B DC MAGNETIC BRAKES*

*CONTACTORS*

*RELAYS & MASTER SWITCHES*

*INDEX*

| OEM NUM        | DESCRIPTION                       | OEM NUM         | DESCRIPTION          |
|----------------|-----------------------------------|-----------------|----------------------|
| A74-253041A    | Connector                         | A77-175979A     | Shunt                |
| A74-253044     | Blowout Coil, 50 amp              | A77-193027A     | Silver Contact       |
| A74-253047     | Blowout Coil, 7.5 amp             | A77-193996A     | Silver Contact       |
| A74-253051     | Type KD-100 Contactor             | A77-20545       | Contact Spring       |
| A74-253053     | Type KD-150 Contactor             | A77-207701A     | Silver Contact       |
| A74-253057     | KS150 Contactor, 74U141, NCSF     | A77-207707-A    | Silver Contact Tip   |
| A74-253059     | Type KD-300 Contactor             | A77-207711A     | Silver Contact       |
| A74-253067-1   | KKD-100 Contact Block Kit         | A77-207713A     | Contact              |
| A74-253067-3   | Contact Spring                    | A77-207719-A    | Silver Faced Contact |
| A74-253067-4   | KKD-103 Contact Spring Kit        | A77-24732       | Adj. Stud            |
| A74-253067-5   | Connector Kit                     | A77-94950       | Movable Contact      |
| A74-253068-1   | KKD-150 Contact Block Kit         | A79-038666      | Bracket              |
| A74-253068-3   | KKD-152 Contact Spring            | A91-263215      | Rear Arc Horn        |
| A74-253068-4   | KKD-153 Contact Spring Kit        | AC-110          | Coil                 |
| A74-253068-5   | Connector Kit                     | AC-113          | Coil                 |
| A74-253069-1   | Contact Kit                       | AC-114          | Coil                 |
| A74-253069-3   | Contact Spring                    | AC-161          | Coil                 |
| A74-253069-4   | Contact Spring Kit                | AP RELAY        | AP Relay Complete    |
| A74-253069-5   | Connector Kit                     | B106-194710-A1  | Coil                 |
| A74-253088     | Spring                            | B106-194710-A4  | Series Coil          |
| A74-25343      | Mechanical Interlock, Nema 7      | B106-194710-A5  | 10" Series Coil      |
| A74-257316A    | 600-4RD Contactor Front Connected | B106-194710-A7  | Coil                 |
| A74-257318A    | Blowout Coil, Assembly            | B106-194710-A8  | Coil                 |
| A74-257333A    | 900-4RD Front Connected Contactor | B106-194710-A9  | Coil                 |
| A74-257334A    | Blowout Coil, Assembly            | B106-194718A    | Adjusting Bar        |
| A74-257343     | Interlock Bar                     | B106-194722     | Shoe Lining          |
| A74-266258     | Arc Runner                        | B106-194783     | Equalizer Yoke       |
| A74-266261     | Contact Spring Seat               | B106-194832A    | Adjusting Bar        |
| A74-266268     | Contact (50-Amp)                  | B106-194839     | Shoe Clamp Spring    |
| A74-266269A    | Stationary Contact (50-Amp)       | B106-194872-A1  | 13" Shunt Coil       |
| A74-266405     | Nema 2 Contactor, 7-1/2 Amp B/O   | B106-194872-A11 | 13" Series Coil      |
| A74-281986     | Contact Kit                       | B106-194872-A13 | Series Coil          |
| A74-281987     | Arc Shield                        | B106-194872-A16 | 13" Series Coil      |
| A74-281989     | Spring                            | B106-194872-A3  | 13" Series Coil      |
| A74-281990A    | Connector Kit                     | B106-194872-A4  | 13" Series Coil      |
| A74-408570     | Aux, Contact Insulator            | B106-194872-A5  | 13" Series Coil      |
| A74-408572A    | Nema 6 N.C. Contactor, 600-5RS    | B106-194872-A6  | 13" Series Coil      |
| A74-413258     | Nema 6 Contactor, 600-5RD         | B106-194872-A7  | 13" Series Coil      |
| A74-413268     | Nema 7 N.O. Contactor             | B106-194918A    | Adjusting Bar        |
| A74-413277     | Spring Clip                       | B106-194941-A1  | 16" Shunt Coil       |
| A74-413278A    | Aux Arm Kit                       | B106-194941-A10 | 16" Series Coil      |
| A74-413281     | Pin                               | B106-194941-A11 | 16" Series Coil      |
| A74-413282     | Main Arm Pin                      | B106-194941-A3  | 16" Series Coil      |
| A74-413285A    | Nema 6 N.O.S.P. 5RD Contactor     | B106-194941-A4  | 16" Series Coil      |
| A74-413287     | Bull. 7400 900-5rd Contactor      | B106-194941-A5  | 16" Series Coil      |
| A74-413290     | Aux. Contact Arm                  | B106-194941-A6  | 16" Series Coil      |
| A74-413295A    | Aux. Arm Kit                      | B106-194941-A7  | 16" Series Coil      |
| A74-413296     | Moving Contact Support Pin        | B106-194941-A8  | 16" Series Coil      |
| A74-419606     | Bul. 7400 600-5RD Contactor       | B106-194944     | Terminal Shield      |
| A74-419606-001 | 7400 600-5RD Contactor            | B106-194983     | Equalizer Yoke       |
| A74-419607A    | Moving Contact Support            | B106-200460-A1  | 23" Shunt Coil       |
| A74-419615A    | Main Arm Assembly                 | B106-200460-A2  | 23" Series Coil      |
| A77-104034-A   | Connector                         | B106-200460-A3  | 23" Series Coil      |
| A77-114265     | Contact Tip Stationary            | B106-200460-A4  | 23" Series Coil      |
| A77-114280A    | Stationary Contact                | B106-200460-A5  | 23" Series Coil      |
| A77-117246A-2  | Shaft Insulator, 2 Pole           | B106-200468A    | Adjusting Bar        |
| A77-117246A-3  | Shaft Insulator, 3 Pole           | B106-200476     | Terminal Shield      |
| A77-12044A     | Moving Contact Assembly           | B106-200479     | 23" Shoe Lining      |
| A77-123165     | Moving Contact Screw              | B106-200511     | Equalizer Yoke       |
| A77-143050     | Contact Spring                    | B106-200549     | Equalizer Yoke       |
| A77-166052     | Pressure Terminal                 | B106-200669     | Shoe Clamp Spring    |
| A77-166231A    | Movable Contact                   | B106-200671A    | Adjusting Bar        |
| A77-166233A    | Stationary Contact                | B106-200676     | Equalizer Yoke       |
| A77-166234     | Contact Spring                    | B106-200696     | Terminal Shield      |
| A77-166238     | Insulator                         | B106-200703-A1  | 19" Shunt Coil       |
| A77-172668A    | Contact                           | B106-200703-A2  | 19" Series Coil      |
| A77-175957     | Contact                           | B106-200703-A3  | 19" Series Coil      |
| A77-175963     | Contact Spring Stud               | B106-200703-A4  | 19" Series Coil      |
| A77-175974     | Rear Contact Bracket              | B106-200703-A5  | 19" Series Coil      |
| A77-175975     | Contact                           | B106-200703-A6  | 19" Series Coil      |
| A77-175978     | Moving Contact Support            | B106-200703-A7  | 19" Series Coil      |

This document utilizes an interactive table of contents to help you jump from one section to another. Click the button to return to the table of contents.

**RETURN TO  
TABLE OF CONTENTS**

*106 TYPE B DC MAGNETIC BRAKES*

*CONTACTORS*

*RELAYS & MASTER SWITCHES*

*INDEX*

| OEM NUM         | DESCRIPTION                                  | OEM NUM    | DESCRIPTION                  |
|-----------------|--|------------|------------------------------|
| B106-200703-A8  | 19" Series Coil                              | KKD-153    | Spring                       |
| B106-200717     | Equalizer Yoke                               | KKD-154    | Connector Kit                |
| B106-230103A    | Frame  | KKD-2      | A74-177676-2 Contact Block   |
| B106-230108-A1  | Coil   | KKD-219    | Mechanical Interlock, Nema 7 |
| B106-230108-A11 | Coil   | KKD-3      | A74-177676-3 Contact Block   |
| B106-230108-A13 | Coil   | KKD-300    | Contact Kit                  |
| B106-230108-A14 | Coil   | KKD-301    | Arc Shield                   |
| B106-230108-A16 | Coil   | KKD-302    | Moveable Contact Spring Only |
| B106-230155     | Terminal Shield                              | KKD-303    | Contact Spring Kit           |
| B106-230162A    | Magnet Case                                  | KKD-304    | Flexible Connector Kit       |
| B106-230169     | Equalizer Yoke                               | KKD-313    | Mechanical Interlock         |
| B106-65126A     | 14" Brake Shoes                              | KKD-7      | A74-177676-4 Contact Block   |
| B106-86161A     | Case   | KKD-8      | A74-177676-5 Contact Block   |
| B106-86164A     | Base   | KPM-1-A    | Convertible Pole Kit         |
| B106-86165A     | Armature                                     | KPM-2-A    | Pole Kit                     |
| B106-86166A     | Brake Shoe                                   | KTM-10     | Aux. Contact                 |
| B12-584A        | Lower Sector                                 | KTM-32-1   | Contact Kit                  |
| B-6-20          | Coil   | KTM-35-1   | Contact Kit, 3 Pole Nema 5   |
| B73-260940      | Cover  | SA-660     | Contact                      |
| B74-243831      | Contact                                      | SA-661     | Contact                      |
| B74-243843-1    | Pivot Plate                                  | SA-705     | Assembled Stationary Contact |
| B74-243843-2    | Pivot Plate                                  | SA-711     | Contact Tip                  |
| B74-243844-A    | Armature Molding Assembly                    | SP-7400-13 | DC Magnetic Contactors       |
| B74-250809      | Front Connector Plate                        | T-103-13   | Bearing Pin, Armature        |
| B74-250813      | Rear Arc Runner                              | T-103-14   | Bearing Pin, Armature        |
| B74-250826-A    | Armature Molding Assembly                    | T-103-15   | Bearing Pin, Arm             |
| B74-250827      | Pivot Plate                                  | T-103-16   | Bearing Pin, Bar Eye         |
| B74-250831      | Contact                                      | T-103-20   | Bearing Pin                  |
| B-74-266253     | Arm Insulator                                | T-103-21   | Bearing Pin, Lower Arm       |
| B74-266253      | Arm Insulator                                | T-103-22   | Bearing Pin, Outer Bar Eye   |
| B77-114281      | Control Contact Base                         | T-103-23   | Bearing Pin                  |
| C106-194709     | Magnet Case                                  | T-103-24   | Bearing Pin, Outer Bar Eye   |
| C106-194781A    | Frame  | T-103-25   | Bearing Pin, Lower Arm       |
| C106-194828     | Shoe Lining                                  | T-103-26   | Bearing Pin                  |
| C106-194929     | Shoe Lining                                  | T-103-27   | Bearing Pin, Outer Bar Eye   |
| C106-194966A    | Frame  | T-103-28   | Bearing Pin, Lower Arm       |
| C106-200682     | Shoe Lining                                  | T-103-29   | Bearing Pin                  |
| C106-200712A    | Frame  | T-103-30   | Bearing Pin, Lower Arm       |
| C106-200844A    | Frame  | T-103-32   | Bearing Pin, Lower Arm       |
| C12-1514A       | Magnet Case                                  | T-103-33   | Bearing Pin                  |
| C74-243801      | Base Insulator                               | T-103-47   | Bearing Pin, Outer Bar Eye   |
| CA-38186-A      | Contact Kit                                  | T-103-48   | Bearing Pin, Lower Arm       |
| CA-38488A       | Contact Kit                                  | T-103-49   | Bearing Pin                  |
| CA-77403        | Spring Plate                                 | T-103-7    | Shoe Pin                     |
| CY-31-10        | Contact Kit                                  | T-104-1    | Contact Screw                |
| CY-33-10        | Contact Kit                                  | T-104-2    | Contact Screw                |
| CY-33-11        | Kit  | T-104-3    | Contact Screw                |
| CY34-1          | Kit  | T-104-4    | Contact Screw                |
| D106-194821     | Magnet Case                                  | T-104-5    | Contact Screw                |
| D106-194909     | Magnet Case                                  | T-104-6    | Contact Screw                |
| D106-200452A    | Frame  | T-104-7    | Contact Screw                |
| D106-200459     | Magnet Case                                  | T-110-42   | Guide Bushing Rivet R.H.     |
| D106-200468     | Magnet Case                                  | T-112-2    | Lining Rivet, Brass          |
| D106-200504A    | Frame  | T-112-7    | Brass Rivet                  |
| D106-200650     | Magnet Case                                  | T-115-11   | 8-32 Brass Nut               |
| D74-250801      | Base Insulator                               | T-115-14   | Lock Washer                  |
| KKD-051         | Arc Shield                                   | T-115-18   | Brass Nut                    |
| KKD-052         | Contact Spring                               | T-115-19   | Hex Nut                      |
| KKD-053         | Spring                                       | T-115-22   | Nut                          |
| KKD-054         | Shunt Kit                                    | T-115-24   | Jam Nut                      |
| KKD-1           | A74-1 77676-1 Contact Block                  | T-115-25   | Hex Nut                      |
| KKD-10          | Mounting Hardware                            | T-115-26   | Moving Cont. Sup. Lock Nut   |
| KKD-100         | Contact Kit                                  | T-115-32   | Mov Contact Support Lock Nut |
| KKD-101         | Assemb. Arc Shield                           | T-115-36   | Mov Contact Support Lock Nut |
| KKD-102         | Movable Contact Spring (only)                | T-115-39   | Jam Nut                      |
| KKD-103         | Contact Spring                               | T-115-58   | Nut                          |
| KKD-104         | Flexible Connector Kit                       | T-115-61   | Nut                          |
| KKD-114         | Mechanical Interlock, Nema 3 & 4, 5" Spacing | T-115-61   | Adjusting Bar Lock Nut       |
| KKD-150         | Kit, Contact                                 | T-115-68   | Jam Nut                      |
| KKD-151         | Assem. Arc Shield                            | T-115-69   | Nut                          |
| KKD-152         | Movable Contact Spring                       | T-115-89   | Nut                          |

This document utilizes an interactive table of contents to help you jump from one section to another. Click the button to return to the table of contents.

**RETURN TO  
TABLE OF CONTENTS**

*106 TYPE B DC MAGNETIC BRAKES*

*CONTACTORS*

*RELAYS & MASTER SWITCHES*

*INDEX*

| OEM NUM   | DESCRIPTION                | OEM NUM    | DESCRIPTION                       |
|-----------|----------------------------|------------|-----------------------------------|
| T-119-1   | Jam Nut, RH                | T-121-86   | Lock Bolt, Equalizer Yoke         |
| T-119-2   | Jam Nut, LH                | T-121-9    | Stl. Head Hex Screw               |
| T-120-102 | Screw                      | T-121-90   | Hex Head Screw                    |
| T-120-105 | Screw                      | T-121-92   | Hex Head Screw                    |
| T-120-135 | Brass Screw                | T-122-110  | Stl. Flat Head Screw              |
| T-120-142 | Brass Rd. Head Screw       | T-122-24   | Shoe Lining Screw                 |
| T-120-148 | Screw                      | T-122-25   | Shoe Lining Screws                |
| T-120-150 | Screw                      | T-122-52   | Retainer plate Screws, Brass      |
| T-120-152 | 10-32 X 3/4" Screw         | T-122-55   | Shoe Lining Screws                |
| T-120-176 | Brass Screw                | T-122-57   | Shoe Lining Screws                |
| T-120-177 | Screw                      | T-122-61   | Coil Retainer Screw               |
| T-120-186 | Arc Shield Stud            | T-123-15   | P.A. Rd. Head Screw               |
| T-120-187 | Arc Shield Stud            | T-123-37   | Screw                             |
| T-120-188 | Arc Shield Stud            | T-124-11   | Lockwasher & Screw                |
| T-120-195 | Stl. Hex Head Screw        | T-12-6     | Arm Stop Stud                     |
| T-120-200 | Screw                      | T-127-4    | Lockwasher & Screw                |
| T-120-201 | Blowout Core Stud          | T-13-1     | Aux. Contact Spring Stud          |
| T-120-35  | Screw                      | T-132-20   | Stl. Fil. Head Screw              |
| T-120-96  | Arc Shield Stud            | T-132-21   | Contact Screw                     |
| T-120-99  | Arc Shield Stud            | T-132-22   | Screw                             |
| T-121-10  | Hex Head Screw             | T-132-25   | Stl. Til. Head Screw              |
| T-121-12  | Hex Head Screw             | T-135-3    | Pre-Assem. Screw                  |
| T-121-13  | Contact Screw              | T-143-1    | Shoe Clamp Cam Shaft Screw        |
| T-121-132 | Magnet Coil Bolts          | T-143-2    | Shoe Clamp Cam Shaft Screw        |
| T-121-136 | Bolt                       | T-145-1    | Lock Screw                        |
| T-121-140 | Lock Bolt                  | T-147-6    | Screw                             |
| T-121-141 | Lock Bolt                  | T-152-21   | Gauge Pin                         |
| T-121-151 | Magnet Case Bolts          | T-152-22   | Gauge Pin                         |
| T-121-159 | Bolt for Pressure Plate    | T-152-23   | Gauge Pin                         |
| T-121-160 | Bolt                       | T-152-31   | Torque Indicator Pin              |
| T-121-167 | Magnet Coil Bolts          | T-155-10   | Spring Lockwasher                 |
| T-121-170 | Magnet Case Bolts (Top)    | T-155-11   | Thin Spring Lockwasher            |
| T-121-175 | Magnet Case Bolts (Top)    | T-155-12   | Spring Lockwasher                 |
| T-121-182 | Bolt                       | T-155-13   | Thin Spring Lockwasher            |
| T-121-183 | Bolt, Outer Arm Release    | T-155-14   | Washer                            |
| T-121-19  | Hex Head Screw             | T-155-15   | Washer                            |
| T-121-197 | Magnet Case Bolts (Bottom) | T-155-16   | Thin Spring Lockwash              |
| T-121-200 | Magnet Case Bolts (Top)    | T-155-20   | Washer                            |
| T-121-203 | Magnet Case Bolts (Top)    | T-155-23   | Washer                            |
| T-121-204 | Magnet Case Bolts (Bottom) | T-155-5    | Lock Washer                       |
| T-121-205 | Lock Bolt, Equalizer Yoke  | T-155-7    | #8 Lock Washer                    |
| T-121-206 | Magnet Coil Bolts          | T-155-9    | 3/16" Lock Washer                 |
| T-121-228 | Magnet Case Bolts (Bottom) | T-159-1    | Moving Contact Support Stop Screw |
| T-121-229 | Magnet Case Bolts (Bottom) | T-161-8    | Arm Adj. Bolt                     |
| T-121-230 | Bolt                       | T-16-30546 | Moving Cont. Sup. Stop Screw      |
| T-121-233 | Bolt, Outer Arm Release    | T-166-15   | Retaining Ring                    |
| T-121-24  | Hex Head Screw             | T-172-23   | Coil Retainer Screw               |
| T-121-241 | Bar Eye Clamp Bolt         | T-176-4    | Elastic Stop Nut                  |
| T-121-242 | Lock Bolt                  | T-19-1     | Shading Coil Stud                 |
| T-121-244 | Stl. Hex Head Screw        | T-191-5    | Nut                               |
| T-121-249 | Lock Bolt, Equalizer Yoke  | T-2-14     | Core Washer                       |
| T-121-250 | Stl. Hex Head Screw        | T-2-145    | Washer                            |
| T-121-255 | Bolt, Outer Arm Release    | T-215-1    | Release Spring, Outer Arm         |
| T-121-258 | Brass Rd. Head Screw       | T-215-2    | Release Spring, Outer Arm         |
| T-121-28  | Blowout Core Stud          | T-215-3    | Release Spring, Outer Arm         |
| T-121-33  | Contact Screw              | T-2-158    | Washer                            |
| T-121-34  | Hex Head Screw             | T-2-159    | Spacer for Cam                    |
| T-121-41  | Bolt                       | T-2-162    | Washer                            |
| T-121-43  | Terminal Shield Bolts      | T-2-18     | Stop Stud Washer                  |
| T-121-45  | Terminal Shield Bolts      | T-2-183    | Core spacer (LD)                  |
| T-121-48  | Screw                      | T-2-240    | Terminal Stud                     |
| T-121-50  | Lock Bolt, Equalizer Yoke  | T-2-27     | Brass Washer                      |
| T-121-62  | Bolt, Outer Arm Release    | T-2-287    | #6 Black Burr                     |
| T-121-70  | Magnet Case Bolt           | T-2-29     | Core Spacer                       |
| T-121-75  | Bolt                       | T-2-291    | Washer                            |
| T-121-76  | Magnet Coil Bolts          | T-2-30     | Stop Stud Washer                  |
| T-121-77  | Slotted Hex Head Screw     | T-2-33     | Coil Clamp                        |
| T-121-78  | Hex Head Screw             | T-233-1    | Alemite Fittings                  |
| T-121-8   | Slotted Hex Head Screw     | T-2-386    | Washer                            |
| T-121-81  | Slotted Hex Head Screw     | T-2-388    | Washer                            |
| T-121-83  | Bolt                       | T-2-389    | Washer                            |

This document utilizes an interactive table of contents to help you jump from one section to another. Click the button to return to the table of contents.

**RETURN TO  
TABLE OF CONTENTS**

*106 TYPE B DC MAGNETIC BRAKES*

*CONTACTORS*

*RELAYS & MASTER SWITCHES*

*INDEX*

| OEM NUM  | DESCRIPTION                    | OEM NUM   | DESCRIPTION                    |
|----------|--------------------------------|-----------|--------------------------------|
| T-2-392  | Washer                         | T-45-151  | Operating Spring               |
| T-24-112 | Core Spacer                    | T-45-2    | Band Support Spring            |
| T-24-170 | Blowout Core                   | T-45-210  | Operating Spring               |
| T-2-42   | Core Spacer                    | T-45-211  | Operating Spring               |
| T-2-420  | Steel Washer                   | T-45-212  | Contact Spring                 |
| T-24-31  | Adjusting Lever Bushing        | T-45-215  | Operating Spring               |
| T-24-337 | Shoe Guide Bushing 14" A106    | T-45-216  | Contact Spring                 |
| T-24-41  | Core Spacer                    | T-45-238  | Torque Spring                  |
| T-2-47   | Core Spacer                    | T-45-24   | Aux. Contact Spring            |
| T-24-78  | Core Spacer                    | T-45-26   | Contact Spring                 |
| T-24-91  | Spacer                         | T-45-264  | Contact Spring-Front Connected |
| T-24-92  | Blowout Core                   | T-45-34   | Contact Spring                 |
| T-24-93  | Blowout Core                   | T-45-38   | Aux. Contact Spring            |
| T-24-94  | Core Spacer                    | T-45-4    | Torque Spring, 14" A106        |
| T-24-95  | Blowout Core                   | T-45-44   | Main Operating Spring          |
| T-2-50   | Core Washer                    | T-45-62   | Auxiliary Contact Spring       |
| T-281-1  | Lock Nut                       | T-45-81   | Auxiliary Contact Spring       |
| T-281-2  | Lock Nut                       | T-45-83   | Control Contact Spring         |
| T-281-3  | Lock Nut                       | T-46-13   | Spring                         |
| T-281-4  | Lock Nut                       | T-46-14   | Spring                         |
| T-282-1  | Spring Washer                  | T-46-21   | Spring                         |
| T-282-2  | Spring Washer                  | T-46-24   | Spring                         |
| T-282-3  | Washer                         | T-46-32   | Spring                         |
| T-282-4  | Spring Washer                  | T-46-4    | Spring                         |
| T-282-6  | Washer                         | T-46-9    | Spring                         |
| T-3-139  | Locking Pin                    | T-5-1     | Aux. Contact Spring Stud       |
| T-3-17   | Stop Stud Pin                  | T-51-2    | Magnet Core Pin                |
| T-3-36   | Pin                            | T-55-3    | Hair Pin Cotter (arm)          |
| T-35-1   | Solid Rivet, Short             | T-55-5    | Special Cotter                 |
| T-35-2   | Solid Rivet, Long              | T-65-1    | Spring Screw                   |
| T-36-10  | Pin                            | T-66-1    | Main Arm Pin                   |
| T-36-11  | Pin                            | T-66-10   | Arm Pin                        |
| T-36-12  | Pin                            | T-66-2    | Main Arm Pin                   |
| T-36-33  | Pin                            | T-66-3    | Main Arm Pin                   |
| T-36-34  | Pin                            | T-66-4    | Main Arm Pin                   |
| T-36-9   | Pin                            | T-66-5    | Main Arm Pin                   |
| T-37-16  | Pin                            | T-66-6    | Arm Pin                        |
| T-37-36  | Moving Cont. Sup. Pin          | T-70-1    | Binding Head Screw             |
| T-37-43  | Magnet Core Pin                | T-7-101   | Blowout Core Stud              |
| T-38-16  | Coil Guard                     | T-7-108   | Top Terminal Stud              |
| T-38-17  | Coil Washer                    | T-7-116   | Arc Shield Stud                |
| T-38-22  | Coil Spacer (top)              | T-7-117   | Blowout Core Stud              |
| T-38-36  | Blowout Washer                 | T-7-122   | Arc Shield Stud                |
| T-38-37  | Blowout Washer                 | T-7-123   | Blowout Core Stud              |
| T-38-38  | Blowout Washer                 | T-7-148   | Arc Shield Stud                |
| T-38-42  | Blowout Washer                 | T-7-149   | Arc Shield Stud                |
| T-38-56  | Blowout Washer                 | T-7-150   | Aux. Stud                      |
| T-38-59  | Coil Spacer (bottom)           | T-7-161   | Arc Shield Stud                |
| T-38-65  | Arc Shield Washer              | T-7-162   | Arc Shield Stud                |
| T-38-66  | Arc Shield Washer              | T-7-17    | Clamp Stud                     |
| T-38-75  | Washer (Formica)               | T-7-182   | Stud (2" Slate)                |
| T-38-89  | Coil Spacers                   | T-7-199   | Coil Terminal Stud             |
| T-39-146 | Blowout Core Insulator         | T-7-204   | Stud (core)                    |
| T-39-169 | Blowout Core Insulator         | T-7-253   | Terminal Plate Stud            |
| T-39-24  | Blowout Core Insulator         | T-7-254   | Terminal Plate Stud            |
| T-39-61  | Blowout Insulator              | T-7-36    | Aux. Stud                      |
| T-39-77  | Blowout Core Insulator         | T-7-44    | Coil Terminal Stud             |
| T-39-79  | Blowout Core Insulator         | T-7-47    | Coil Terminal Stud             |
| T-39-86  | Blowout Core Insulator         | T-7-497   | Top Terminal Stud              |
| T-39-87  | Blowout Core Insulator         | T-7-498   | Top Terminal Stud              |
| T-39-92  | Blowout Core Insulator         | T-7-499   | Terminal Plate Stud            |
| T-39-98  | Blowout Core Insulator         | T-7-500   | Terminal Plate Stud            |
| T-40-21  | Main Arm Bushing, Lower, Brass | T-7-55    | Terminal Stud (1" Slate)       |
| T-40-22  | Main Arm Bushing, Lower, Brass | T-7-73    | Stud (magnet Core)             |
| T-40-23  | Main Arm Bushing, Lower, Brass | T-7-81    | Stud (magnet Core)             |
| T-40-24  | Main Arm Bushing, Lower, Brass | T-7-84    | Coil Terminal Stud             |
| T-40-25  | Main Arm Bushing, Lower, Brass | T-7-99    | Arc Shield Stud                |
| T-40-26  | Main Arm Bushing               | TB-101-19 | Coil                           |
| T-45-12  | Contact Spring                 | TB-102-1  | Coil                           |
| T-45-132 | Spring                         | TB-102-19 | Coil                           |
| T-45-150 | Cam Roller Arm Spring          | TB-102-22 | Coil, 120 VAC 60 CYC           |

This document utilizes an interactive table of contents to help you jump from one section to another. Click the button to return to the table of contents.

**RETURN TO  
TABLE OF CONTENTS**

*106 TYPE B DC MAGNETIC BRAKES*

*CONTACTORS*

*RELAYS & MASTER SWITCHES*

*INDEX*

| OEM NUM   | DESCRIPTION          | OEM NUM   | DESCRIPTION          |
|-----------|----------------------|-----------|----------------------|
| TB-10-3   | Pin                  | TB-147-15 | Coil                 |
| TB-103-19 | Coil                 | TB-147-16 | Coil                 |
| TB-103-22 | Coil                 | TB-147-17 | Coil                 |
| TB-105-1  | Coil                 | TB-147-19 | Coil                 |
| TB-105-12 | Coil                 | TB-147-2  | Coil 230 VDC         |
| TB-105-18 | Coil                 | TB-147-20 | Coil                 |
| TB-105-2  | Coil                 | TB-147-21 | Coil                 |
| TB-105-25 | Coil, 110/50, Size 3 | TB-147-22 | Coil                 |
| TB-105-8  | Coil                 | TB-147-23 | Coil                 |
| TB-105-9  | Coil                 | TB-147-24 | Coil                 |
| TB-109-1  | Coil, 240 VDC        | TB-147-3  | Coil 550 VDC         |
| TB-109-2  | Coil, 120 VDC        | TB-147-4  | Coil                 |
| TB-109-3  | Coil, 60 VDC         | TB-147-5  | Coil                 |
| TB-109-7  | Coil, 95 VDC         | TB-147-6  | Coil                 |
| TB-113-1  | Coil                 | TB-147-7  | Coil                 |
| TB-113-16 | Coil                 | TB-147-8  | Coil                 |
| TB-113-18 | Coil                 | TB-147-9  | Coil                 |
| TB-113-2  | Coil                 | TB-148-1  | Coil, 230 VDC        |
| TB-113-20 | Coil                 | TB-148-10 | Coil, 36 VDC         |
| TB-113-25 | Coil                 | TB-148-11 | Coil, 24 VDC         |
| TB-113-3  | Coil                 | TB-148-12 | Coil, 14.5 VDC       |
| TB-113-4  | Coil                 | TB-148-13 | Coil, 72 VDC         |
| TB-113-5  | Coil                 | TB-148-14 | Coil, 32 VDC         |
| TB-113-56 | Coil                 | TB-148-15 | Coil, 410 VDC        |
| TB-113-6  | Coil                 | TB-148-16 | Coil, 18 VDC         |
| TB-113-61 | Coil                 | TB-148-17 | Coil, 6 VDC          |
| TB-113-7  | Coil                 | TB-148-18 | Coil, 500 VDC        |
| TB-113-9  | Coil                 | TB-148-19 | Coil, 125-140 VDC    |
| TB-118-3  | Coil                 | TB-148-2  | Coil, 550 VDC        |
| TB-118-5  | 115 Volt Coil        | TB-148-20 | Coil, 80 VDC         |
| TB-130-1  | Coil                 | TB-148-21 | Coil, 170 VDC        |
| TB-130-13 | Coil                 | TB-148-22 | Coil, 340 VDC        |
| TB-130-2  | Coil                 | TB-148-23 | Coil, 440 VDC        |
| TB-135-1  | Coil                 | TB-148-24 | Coil, 260 VDC        |
| TB-135-2  | Coil                 | TB-148-3  | Coil, 115 VDC        |
| TB-135-4  | Coil                 | TB-148-4  | Coil, 450 VDC        |
| TB-137-1  | Coil, 120 VDC        | TB-148-5  | Coil, 300 VDC        |
| TB-137-10 | Coil, 6 VDC          | TB-148-6  | Coil, 60 VDC         |
| TB-137-11 | Coil, 300 VDC        | TB-148-7  | Coil, 48 VDC         |
| TB-137-12 | Coil, 120 VDC        | TB-148-8  | Coil, 90 VDC         |
| TB-137-13 | Coil, 240 VDC        | TB-148-9  | Coil, 275 VDC        |
| TB-137-2  | Coil, 240 VDC        | TB-149-1  | Coil                 |
| TB-137-3  | Coil, 180 VDC        | TB-149-10 | Coil                 |
| TB-137-4  | Coil, 90 VDC         | TB-149-11 | Coil                 |
| TB-137-5  | Coil, 64 VDC         | TB-149-12 | Coil                 |
| TB-137-6  | Coil, 48 VDC         | TB-149-13 | Coil                 |
| TB-137-7  | Coil                 | TB-149-14 | Coil                 |
| TB-137-8  | Coil, 24 VDC         | TB-149-2  | Coil                 |
| TB-137-9  | Coil, 12 VDC         | TB-149-3  | Coil                 |
| TB-139-1  | Coil                 | TB-149-4  | Coil                 |
| TB-139-4  | Coil                 | TB-149-5  | Coil                 |
| TB-141-1  | Coil, 240 VDC        | TB-149-6  | Coil                 |
| TB-141-2  | Coil, 120 VDC        | TB-149-7  | Coil                 |
| TB-14-16  | Coil                 | TB-149-8  | Coil                 |
| TB-144-1  | Coil, 240 VDC        | TB-149-9  | Coil                 |
| TB-144-2  | Coil, 120 VDC        | TB-150-2  | Coil, 240 VDC        |
| TB-144-8  | Coil, 95 VDC         | TB-150-3  | Coil, 120 VDC        |
| TB-145-1  | Coil                 | TB-151-1  | Coil, 240 VDC        |
| TB-145-2  | Coil                 | TB-151-10 | Coil, 24 VDC         |
| TB-145-3  | Coil                 | TB-151-13 | Coil, 12 VDC         |
| TB-145-4  | Coil                 | TB-151-15 | Coil                 |
| TB-145-5  | Coil                 | TB-151-17 | Coil, 2.6 Amps       |
| TB-145-6  | Coil                 | TB-151-2  | Coil, 120 VDC        |
| TB-145-7  | Coil                 | TB-151-20 | Coil, 5.3 Amp Rating |
| TB-145-8  | Coil, 22 amp         | TB-151-26 | Coil, 95 VDC         |
| TB-147-1  | Coil, 115 VDC        | TB-151-3  | Coil, 60 VDC         |
| TB-147-10 | Coil                 | TB-151-7  | Coil, 72 VDC         |
| TB-147-11 | Coil                 | TB-151-8  | Coil, 48 VDC         |
| TB-147-12 | Coil                 | TB-151-9  | Coil, 32 VDC         |
| TB-147-13 | Coil                 | TB-152-1  | Coil                 |
| TB-147-14 | Coil                 | TB-15-3   | Coil                 |



This document utilizes an interactive table of contents to help you jump from one section to another. Click the button to return to the table of contents.

**RETURN TO  
TABLE OF CONTENTS**

*106 TYPE B DC MAGNETIC BRAKES*

*CONTACTORS*

*RELAYS & MASTER SWITCHES*

*INDEX*

| OEM NUM        | DESCRIPTION            | OEM NUM       | DESCRIPTION                  |
|----------------|------------------------|---------------|------------------------------|
| TB-156-2.....  | Coil                   | TB-20-11..... | Coil, 96 VDC                 |
| TB-157-14..... | Coil                   | TB-20-12..... | Coil, 32 VDC                 |
| TB-157-15..... | Coil                   | B-20-13.....  | Coil, 15 VDC                 |
| TB-157-8.....  | Coil 265 VDC           | TB-20-14..... | Coil, 180 VDC                |
| TB-158-1.....  | Coil                   | TB-20-2.....  | Coil                         |
| TB-158-7.....  | Coil                   | TB-20-3.....  | Coil, 550 VDC                |
| TB-159-1.....  | Coil                   | TB-20-4.....  | Coil, 440 VDC                |
| TB-159-10..... | Coil                   | TB-20-5.....  | Coil, 36 VDC                 |
| TB-159-2.....  | Coil                   | TB-20-6.....  | Coil, 24 VDC                 |
| TB-159-3.....  | Coil                   | TB-20-7.....  | Coil, 300 VDC                |
| TB-159-5.....  | Coil                   | TB-20-8.....  | Coil, 12 VDC                 |
| TB-159-6.....  | Coil                   | TB-20-9.....  | Coil, 60 VDC                 |
| TB-159-6.....  | Coil                   | TB-21-1.....  | Coil                         |
| TB-16-1.....   | Coil, 230V             | TB-23-10..... | Coil, 61 & 85 HP, 375 AMPS   |
| TB-16-10.....  | Coil, 36 VDC           | TB-23-11..... | Coil                         |
| TB-16-11.....  | Coil, 24 VDC           | TB-23-13..... | Coil, 55 & 60 HP, 300 AMPS   |
| TB-161-1.....  | Coil                   | TB-23-14..... | Coil, 25 HP, 92 AMPS         |
| TB-16-12.....  | Coil, 14.5 VDC         | TB-23-15..... | Coil, 20 HP, 75 AMPS         |
| TB-16-13.....  | Coil, 72 VDC           | TB-23-3.....  | Coil, 20 HP, 100 AMPS        |
| TB-16-15.....  | Coil, 410 VDC          | TB-23-5.....  | Coil, 30 HP, 150 AMPS        |
| TB-16-16.....  | Coil, 18 VDC           | TB-23-6.....  | Coil, 35 HP, 175 AMPS        |
| TB-16-17.....  | Coil, 6 VDC            | TB-23-7.....  | Coil, 37.5 & 40 HP, 200 AMPS |
| TB-161-7.....  | Coil                   | TB-23-8.....  | Coil                         |
| TB-16-18.....  | Coil, 500 VDC          | TB-23-9.....  | Coil, 55 & 60 HP, 300 AMPS   |
| TB-16-19.....  | Coil, 125-140 VDC      | TB-24-1.....  | Coil                         |
| TB-16-2.....   | Coil, 550V             | TB-24-10..... | Coil                         |
| TB-16-20.....  | Coil, 80 VDC           | TB-24-11..... | Coil                         |
| TB-16-21.....  | Coil, 170 VDC          | TB-24-12..... | Coil                         |
| TB-162-1.....  | Coil                   | TB-24-13..... | Coil                         |
| TB-162-15..... | Coil                   | TB-24-14..... | Coil                         |
| TB-162-16..... | Coil                   | TB-24-15..... | Coil                         |
| TB-162-1A..... | Coil                   | TB-24-16..... | Coil                         |
| TB-16-22.....  | Coil, 340 VDC          | TB-24-17..... | Coil                         |
| TB-162-2A..... | Coil                   | TB-24-18..... | Coil                         |
| TB-16-23.....  | Coil, 440 VDC          | TB-24-2.....  | Coil                         |
| TB-16-24.....  | Coil, 260 VDC          | TB-24-3.....  | Coil                         |
| TB-162-5.....  | Coil                   | TB-24-4.....  | Coil                         |
| TB-162-6.....  | Coil                   | TB-24-5.....  | Coil                         |
| TB-162-7.....  | Coil                   | TB-24-6.....  | Coil                         |
| TB-162-8.....  | Coil                   | TB-24-7.....  | Coil                         |
| TB-16-3.....   | Coil, 115V             | TB-24-8.....  | Coil                         |
| TB-16-4.....   | Coil, 450 VDC          | TB-24-9.....  | Coil                         |
| TB-16-5.....   | Coil, 300 VDC          | TB-25-1.....  | Coil                         |
| TB-16-6.....   | Coil, 60 VDC           | TB-25-11..... | Coil                         |
| TB-166-1.....  | Coil, 230 VDC          | TB-25-12..... | Coil                         |
| TB-166-2.....  | Coil, 115VDC           | TB-25-13..... | Coil                         |
| TB-166-4.....  | Coil, 230 V Continuous | TB-25-14..... | Coil                         |
| TB-16-7.....   | Coil, 48 VDC           | TB-25-15..... | Coil                         |
| TB-16-8.....   | Coil, 90 VDC           | TB-25-18..... | Coil                         |
| TB-16-9.....   | Coil, 275 VDC          | TB-25-2.....  | Coil                         |
| TB-17-1.....   | Coil, 230V             | TB-27-10..... | Coil                         |
| TB-17-10.....  | Coil, 12 VDC           | TB-27-11..... | Blowout Coil                 |
| TB-17-2.....   | Coil, 550V             | TB-27-12..... | Coil                         |
| TB-17-3.....   | Coil, 115V             | TB-27-13..... | Coil                         |
| TB-17-4.....   | Coil, 26 VDC           | TB-27-2.....  | Coil                         |
| TB-17-5.....   | Coil, 15 VDC           | TB-27-3.....  | Coil, 165 AMP                |
| TB-175-15..... | Coil                   | TB-27-4.....  | Coil 170 AMP                 |
| TB-17-7.....   | Coil, 48 VDC           | TB-27-5.....  | Coil                         |
| TB-17-8.....   | Coil, 38 VDC           | TB-27-6.....  | Coil                         |
| TB-18-1.....   | Coil                   | TB-27-7.....  | Coil                         |
| TB-19-1.....   | Coil, 115 VDC          | TB-27-8.....  | Coil                         |
| TB-19-2.....   | Coil, 230 VDC          | TB-27-9.....  | Coil                         |
| TB-19-3.....   | Coil, 550V             | TB-28-11..... | Coil, 100 AMPS               |
| TB-19-4.....   | Coil, 48 VDC           | TB-28-14..... | Coil, 68 AMPS                |
| TB-19-5.....   | Coil, 18 VDC           | TB-28-15..... | Coil, 22 AMPS                |
| TB-19-6.....   | Coil, 57 VDC           | TB-28-19..... | Coil, 17 AMPS                |
| TB-19-7.....   | Coil, 175 VDC          | TB-28-20..... | Coil, 21 AMPS                |
| TB-19-8.....   | Coil, 24 VDC           | TB-28-21..... | Coil                         |
| TB-19-9.....   | Coil, 90 VDC           | TB-28-22..... | Coil, 54 AMPS                |
| TB-20-1.....   | Coil                   | TB-28-23..... | Coil, 87 AMPS                |
| TB-20-10.....  | Coil, 48 VDC           | TB-28-24..... | Coil, 17 AMPS                |

This document utilizes an interactive table of contents to help you jump from one section to another. Click the button to return to the table of contents.

**RETURN TO  
TABLE OF CONTENTS**

*106 TYPE B DC MAGNETIC BRAKES*

*CONTACTORS*

*RELAYS & MASTER SWITCHES*

*INDEX*

| OEM NUM  | DESCRIPTION     | OEM NUM  | DESCRIPTION             |
|----------|-----------------|----------|-------------------------|
| TB-28-25 | Coil, 20 AMPS   | TB-40-4  | Coil, 55 VDC            |
| TB-28-26 | Coil, 34 AMPS   | TB-40-5  | Coil, 48 VDC            |
| TB-28-27 | Coil, 43 AMPS   | TB-40-6  | Coil, 36 VDC            |
| TB-28-28 | Coil, 55 AMPS   | TB-40-7  | Coil, 28 VDC            |
| TB-28-29 | Coil, 68 AMPS   | TB-40-8  | Coil, 275 VDC           |
| TB-28-30 | Coil, 69 AMPS   | TB-40-9  | Coil, 30 VDC            |
| TB-28-31 | Coil, 105 AMPS  | TB-41-1  | Coil, 115V              |
| TB-28-32 | Coil, 110 AMPS  | TB-41-11 | Coil, 500 VDC           |
| TB-28-4  | Coil, 27 AMPS   | TB-41-2  | Coil, 230V              |
| TB-28-6  | Coil, 56 AMPS   | TB-41-3  | Coil, 550V              |
| TB-29-1  | Coil, 115 Volt  | TB-41-5  | Coil                    |
| TB-29-11 | Coil, 30 VDC    | TB-41-8  | Coil, 36 VDC            |
| TB-29-12 | Coil, 18 VDC    | TB-41-9  | Coil, 30 VDC            |
| TB-29-2  | Coil            | TB-4-2   | Shaft Insulator, 2 Pole |
| TB-29-3  | Coil, 550 Volt  | TB-42-1  | Coil, 115 Volt          |
| TB-29-4  | Coil, 24 VDC    | TB-42-2  | Coil, 230 VDC           |
| TB-29-5  | Coil, 6 VDC     | TB-42-5  | Coil, 48 VDC            |
| TB-29-6  | Coil, 440 VDC   | TB-4-3   | Shaft Insulator, 3 Pole |
| TB-29-7  | Coil, 48 VDC    | TB-43-1  | Coil, 115V              |
| TB-29-8  | Coil, 60 VDC    | TB-43-10 | Coil, 440 VDC           |
| TB-29-9  | Coil, 36 VDC    | TB-43-11 | Coil, 150 VDC           |
| TB-30-1  | Coil            | TB-43-12 | Coil, 48 VDC            |
| TB-30-2  | Coil, 230V      | TB-43-13 | Coil, 18 VDC            |
| TB-30-3  | Coil, 550V      | TB-43-14 | Coil, 24 VDC            |
| TB-30-4  | Coil, 60 VDC    | TB-43-15 | Coil, 90 VDC            |
| TB-30-5  | Coil, 440 VDC   | TB-43-16 | Coil, 500 VDC           |
| TB-30-6  | Coil, 72 VDC    | TB-43-17 | Coil, 16 VDC            |
| TB-30-9  | Coil, 275 VDC   | TB-43-18 | Coil, 130 VDC           |
| TB-31-1  | Coil, 115V      | TB-43-19 | Coil, 6 VDC             |
| TB-31-2  | Coil, 230V      | TB-43-2  | Coil, 230V              |
| TB-31-3  | Coil, 550V      | TB-43-3  | Coil, 60 VDC            |
| TB-31-5  | Coil, 40 VDC    | TB-43-4  | Coil, 550V              |
| TB-31-6  | Coil, 40 VDC    | TB-43-5  | Coil, 12.5 VDC          |
| TB-31-9  | Coil, 32 VDC    | TB-43-6  | Coil, 75 VDC            |
| TB-32-1  | Coil            | TB-43-7  | Coil, 32 VDC            |
| TB-32-10 | Coil, 4.25 AMPS | TB-43-8  | Coil, 275 VDC           |
| TB-32-11 | Coil, 5.25 AMPS | TB-43-9  | Coil, 410 VDC           |
| TB-32-12 | Coil, 6.75 AMPS | TB-44-1  | Coil, 115V              |
| TB-32-13 | Coil, 8.25 AMPS | TB-44-2  | Coil, 230V              |
| TB-32-14 | Coil            | TB-44-3  | Coil, 550V              |
| TB-32-15 | Coil            | TB-44-4  | Coil, 60 VDC            |
| TB-32-2  | Coil, 13 AMPS   | TB44-5   | Coil, 30 VDC            |
| TB-32-3  | Coil, 8.75 AMPS | TB-44-6  | Coil, 36 VDC            |
| TB-32-4  | Coil, 3.25 AMPS | TB-44-7  | Coil, 48 VDC            |
| TB-32-5  | Coil            | TB-44-8  | Coil, 72 VDC            |
| TB-32-7  | Coil, 2 AMPS    | TB-45-1  | Coil, 115 VDC           |
| TB-32-8  | Coil, 1.25 AMPS | TB-45-10 | Coil, 275 VDC           |
| TB-32-9  | Coil, 3 AMPS    | TB-45-11 | Coil, 36 VDC            |
| TB-36-1  | Coil            | TB-45-12 | Coil, 18 VDC            |
| TB-36-6  | Coil            | TB-45-13 | Coil, 40 VDC            |
| TB-36-8  | Coil            | TB-45-14 | Coil, 6 VDC             |
| TB-39-1  | Coil, 55 VDC    | TB-45-15 | Coil, 440 Volt          |
| TB-39-2  | Coil, 230 VDC   | TB-45-17 | Coil, 380 VDC           |
| TB-39-3  | Coil, 550 VDC   | TB-45-19 | Coil, 64-75 VDC         |
| TB-39-4  | Coil, 300 VDC   | TB-45-2  | Coil, 230 Volt          |
| TB-40-1  | Coil, 115V      | TB-45-20 | Coil, 95 VDC            |
| TB-40-10 | Coil, 65 VDC    | TB-45-21 | Coil, 10 VDC            |
| TB-40-11 | Coil, 410 VDC   | TB-45-22 | Coil, 84 VDC            |
| TB-40-12 | Coil, 440 VDC   | TB-45-23 | Coil, 127 VDC           |
| TB-40-13 | Coil, 18 VDC    | TB-45-24 | Coil, 300 VDC           |
| TB-40-15 | Coil, 500 VDC   | TB-45-3  | Coil, 550 Volt          |
| TB-40-16 | Coil, 25 VDC    | TB-45-4  | Coil, 12 VDC            |
| TB-40-17 | Coil, 130 VDC   | TB-45-5  | Coil                    |
| TB-40-18 | Coil, 100 VDC   | TB-45-6  | Coil, 48 VDC            |
| TB-40-19 | Coil, 140 VDC   | TB-45-7  | Coil, 30 VDC            |
| TB-40-2  | Coil, 230V      | TB-45-8  | Coil, 140 VDC           |
| TB-40-20 | Coil, 80 VDC    | TB-45-9  | Coil, 24 VDC            |
| TB-40-21 | Coil, 12 VDC    | TB4-59   | Shaft Insulator, 2 pole |
| TB-40-22 | Coil, 6 VDC     | TB4-60   | Shaft Insulator, 3 pole |
| TB-40-23 | Coil, 260 VDC   | TB-47-1  | Coil, 115 VDC           |
| TB-40-3  | Coil, 550V      | TB-47-2  | Coil, 230 VDC           |

| OEM NUM  | DESCRIPTION           | OEM NUM  | DESCRIPTION              |
|----------|-----------------------|----------|--------------------------|
| TB-47-3  | Coil, 550 VDC         | TB-6-48  | Coil                     |
| TB-5-14  | Shaft, 2 Pole         | TB-6-49  | Coil                     |
| TB-5-15  | Shaft, 3 pole         | TB-6-5   | Coil                     |
| TB-5-2   | Shaft, 2 Pole         | TB-6-50  | Coil                     |
| TB-5-3   | Shaft, 3 Pole         | TB-6-51  | Coil                     |
| TB-54-11 | Coil                  | TB-65-1  | Coil, .06-.60 AMPS       |
| TB-5-65  | Shaft, 2 Pole         | TB-65-10 | Coil, .45-4.5 AMPS       |
| TB-5-66  | Shaft, 3 Pole         | TB-65-11 | Coil, .60-6.0 AMPS       |
| TB-57-1  | Coil, 115V            | TB-65-12 | Coil, .78-8.0 AMPS       |
| TB-57-10 | Coil, 24 VDC          | TB-65-13 | Coil, 1.0-10.0 AMPS      |
| TB-57-11 | Coil, 88 VDC          | TB-65-14 | Coil, 1.3-13.0 AMPS      |
| TB-57-12 | Coil, 176 VDC         | TB-65-15 | Coil, 2.0-26.0 AMPS      |
| TB-57-13 | Coil, 550 VDC         | TB-65-16 | Coil, 3.0-30.0 AMPS      |
| TB-57-15 | Coil                  | TB-6-52  | Coil                     |
| TB-57-2  | Coil, 230V            | TB-65-2  | Coil, .075-.75 AMPS      |
| TB-57-4  | Coil, 45 VDC          | TB-6-53  | Coil                     |
| TB-57-5  | Coil, 60 VDC          | TB-65-3  | Coil, .095-.95 AMPS      |
| TB5-75   | Shaft, 2 pole         | TB-6-54  | Coil                     |
| TB-57-6  | Coil, 30 VDC          | TB-65-4  | Coil, .12-1.2 AMPS       |
| TB5-76   | Shaft, 3 pole         | TB-6-55  | Coil                     |
| TB-57-7  | Coil, 18 VDC          | TB-65-5  | Coil                     |
| TB-57-8  | Coil, 265 VDC         | TB-6-56  | Coil                     |
| TB-57-9  | Coil, 12 VDC          | TB-65-6  | Coil                     |
| TB-58-1  | Coil, 115V            | TB-6-57  | Coil                     |
| TB-58-2  | Coil, 230V            | TB-6-57  | Coil                     |
| TB-58-3  | Coil, 67.5 VDC        | TB-65-7  | Coil, .23-2.4 AMPS       |
| TB-58-5  | Coil, 57.5 VDC        | TB-6-58  | Coil                     |
| TB-58-6  | Coil, 550 VDC         | TB-65-8  | Coil, .29-3.0 AMPS       |
| TB-58-7  | Coil                  | TB-65-9  | Coil, .33-3.5 AMPS       |
| TB-6-1   | Coil                  | TB-6-6   | Coil                     |
| TB-6-10  | Coil                  | TB-6-60  | Coil                     |
| TB-6-11  | Coil                  | TB-66-1  | Coil, 230 VDC            |
| TB-61-13 | Coil                  | TB-66-2  | Coil, 115 VDC            |
| TB-6-12  | Coil                  | TB-66-3  | Coil, 550 VDC            |
| TB-6-13  | Coil                  | TB-66-4  | Coil, 230 VDC Continuous |
| TB-6-14  | Coil                  | TB-6-7   | Coil                     |
| TB-6-15  | Coil                  | TB-6-8   | Coil                     |
| TB-6-16  | Coil                  | TB-6-9   | Coil                     |
| TB-6-17  | Coil                  | TB-70-1  | Coil                     |
| TB-6-18  | Coil                  | TB-70-10 | Coil                     |
| TB-6-19  | Coil                  | TB-70-13 | Coil                     |
| TB-6-2   | Coil                  | TB-70-14 | Coil                     |
| TB-6-21  | Coil                  | TB-70-36 | Coil                     |
| TB-6-22  | Coil                  | TB-70-9  | Coil                     |
| TB-6-23  | Coil                  | TB-78-19 | Coil                     |
| TB-6-24  | Coil                  | TB-78-7  | Coil                     |
| TB-6-25  | Coil                  | TB-80-17 | Coil                     |
| TB-6-26  | Coil                  | TB-80-19 | Coil                     |
| TB-6-27  | Coil                  | TB-80-2  | Coil                     |
| TB-6-28  | Coil                  | TB-80-47 | Coil                     |
| TB-6-29  | Coil                  | TB-80-6  | Coil                     |
| TB-6-3   | Coil                  | TB-80-8  | Coil                     |
| TB-6-30  | Coil                  | TB-80-9  | Coil                     |
| TB-6-31  | Coil                  | TB-80-A  | Coil                     |
| TB-6-32  | Coil                  | TB-81-1  | Coil                     |
| TB-6-33  | Coil                  | TB-81-2  | Coil                     |
| TB-6-34  | Coil                  | TB-81-7  | Coil                     |
| TB-6-35  | Coil                  | TB-85-6  | Coil                     |
| TB-6-36  | Coil                  | TB-86-1  | Coil                     |
| TB-6-37  | Coil                  | TB-86-2  | Coil                     |
| TB-6-38  | Coil                  | TB-86-3  | Coil                     |
| TB-6-39  | Coil                  | TB-86-4  | Coil                     |
| TB-6-4   | Coil                  | TB-86-5  | Coil                     |
| TB-6-40  | Coil                  | TB-86-8  | Coil                     |
| TB-6-41  | Coil, 440 VAC 60 CYC. | TB-91-74 | Coil                     |
| TB-6-42  | Coil                  | TB-92-20 | Coil                     |
| TB-6-43  | Coil                  |          |                          |
| TB-6-44  | Coil                  |          |                          |
| TB-6-45  | Coil                  |          |                          |
| TB-6-46  | Coil                  |          |                          |
| TB-6-47  | Coil                  |          |                          |

This document utilizes an interactive table of contents to help you jump from one section to another. Click the button to return to the table of contents.

**RETURN TO  
TABLE OF CONTENTS**

*106 TYPE B DC MAGNETIC BRAKES*

*CONTACTORS*

*RELAYS & MASTER SWITCHES*

*INDEX*

REPLACEMENT PARTS CATALOG  
TABLE OF CONTENTS

Page Number

**SAFETY LIMIT STOPS**

P-50 Safety Limit Stop..... 3  
 P-100 Safety Limit Switch..... 4  
 P-100A Safety Limit Stop..... 5  
 P-200 Safety Limit Stop..... 6  
 P-200A Safety Limit Stop..... 7  
 P-375 Simplex Safety Limit Stop..... 9  
 P-375 Duplex Safety Limit Stop..... 11

**BRAKES**

No. 503 8” Type “M” Brake..... 12  
 No. 503 10” Type “M” Brake..... 13  
 No. 503 14” Type “M” Brake..... 14  
 No. 503 18” Type “M” Brake..... 15  
 No. 503 21” Type “M” Brake..... 16  
 No. 503 24” Type “M” Brake..... 17  
 No. 503 30” Type “M” Brake..... 18  
 No. 505 8” D-C Magnetic Brake..... 19  
 No. 505 10” D-C Magnetic Brake..... 20  
 No. 505 13” D-C Magnetic Brake..... 21  
 No. 505 16” D-C Magnetic Brake..... 22  
 No. 505 19” D-C Magnetic Brake..... 23  
 No. 505 23” D-C Magnetic Brake..... 24  
 No. 505 30” D-C Magnetic Brake..... 25

**CONTACTORS**

No. 542 300 Amp D-C Contactor..... 28  
 No. 545 600 Amp D-C Contactor..... 29  
 No. 560 100 Amp Spring Closed D-C Contactor..... 30  
 No. 562 300 Amp Spring Closed D-C Contactor..... 31  
 No. 565 600 Amp Spring Closed D-C Contactor..... 32  
 No. 570 100 Amp D-C Contactor..... 33  
 No. 572 300 Amp D-C Contactor..... 34  
 No. 575 600 Amp D-C Contactor..... 35  
 No. 580 100 Amp Double Pole D-C Contactor..... 36  
 No. 582 300 Amp Double Pole D-C Contactor..... 37  
 No. 590 100 Amp Double Pole D-C Contactor..... 38  
 No. 912 50 Amp Single Pole D-C Contactor..... 39  
 No. 913 100 Amp Single Pole D-C Contactor..... 40

If you are unable to locate the item you need, please call or e-mail us so we can assist in finding required item.

Cutler-Hammer is a Registered Trademark of Eaton Corp.

This document utilizes an interactive table of contents to help you jump from one section to another. Click the button to return to the table of contents.



*SAFETY LIMIT STOPS*

*BRAKES*

*CONTACTORS*

*INDEX*

# O.C.C. REPLACEMENT PARTS FOR CUTLER HAMMER

---

|   |       |
|---|-------|
| No. 914 150 Amp Single Pole D-C Contactor .....     | 41    |
| No. 915 300 Amp Single Pole D-C Contactor .....     | 42    |
| No. 916 600 Amp Single Pole D-C Contactor .....     | 43    |
| No. 920 810 Amp Single Pole D-C Contactor .....     | 44    |
| No. 921 810 Amp D-C Ltl Contactor .....             | 45    |
| No. 923 100 Amp Spring Closed D-C Contactor .....   | 46    |
| No. 924 150 Amp Spring Closed D-C Contactor .....   | 47    |
| No. 925 300 Amp Spring Closed D-C Contactor .....   | 48    |
| No. 926 600 Amp Spring Closed D-C Contactor .....   | 49    |
| No. 932 50 Amp Single Pole D-C Ltl Contactor .....  | 50    |
| No. 933 100 Amp D-C Ltl Contactor .....             | 51    |
| No. 934 150 Amp Single Pole D-C Ltl Contactor ..... | 52    |
| No. 935 300 Amp D-C Ltl Contactor .....             | 53    |
| No. 936 600 Amp Single Pole D-C Ltl Contactor ..... | 54    |
| No. 944 150 Amp Two-Pole D-C Ltl Contactor .....    | 55    |
| No. 945 300 Amp Two-Pole D-C Ltl Contactor .....    | 56    |
| No. 952 50 Amp Double Pole D-C Ltl Contactor .....  | 57    |
| No. 954 150 Amp Double Pole D-C Ltl Contactor ..... | 58    |
| No. 955 300 Amp Two-Pole D-C Ltl Contactor .....    | 59    |
| <br>  |       |
| INDEX.....  | 60-87 |

This document utilizes an interactive table of contents to help you jump from one section to another. Click the button to return to the table of contents.

**RETURN TO  
TABLE OF CONTENTS**

*SAFETY LIMIT STOPS*

*BRAKES*

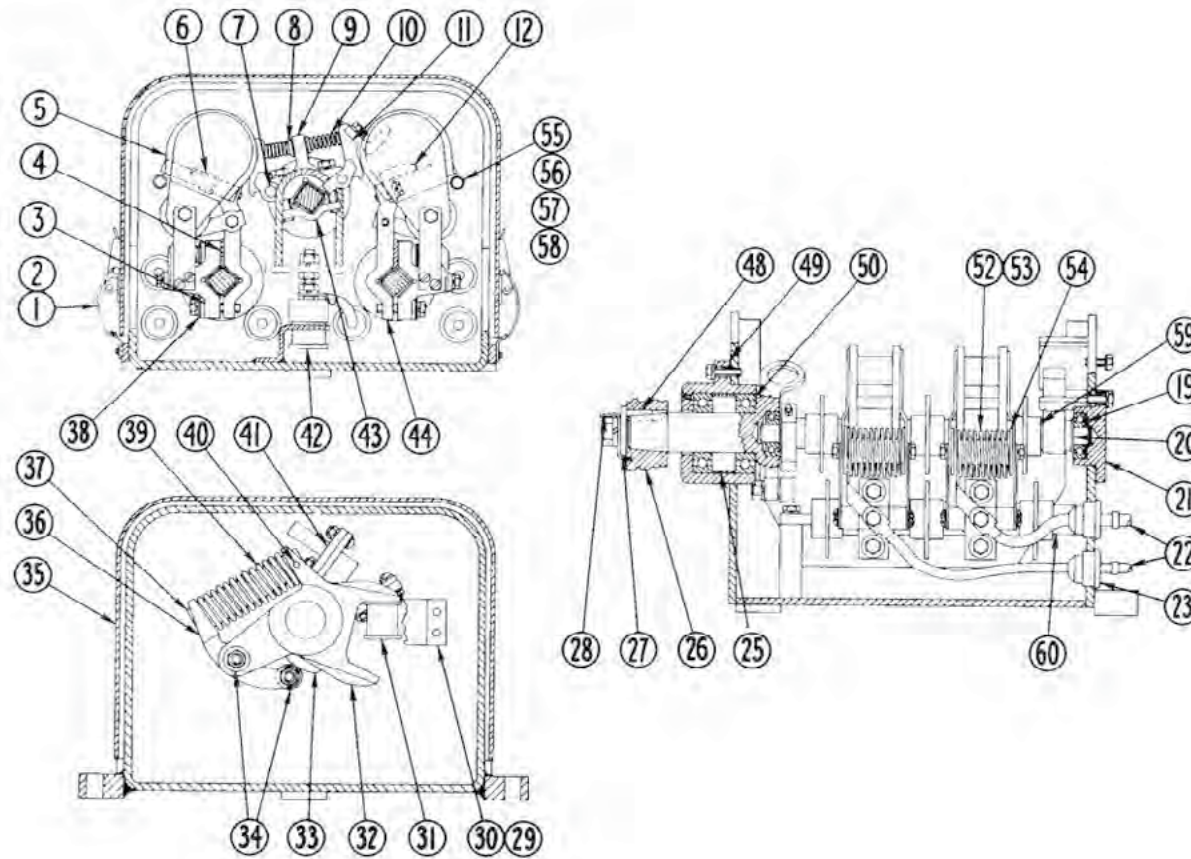
*CONTACTORS*

*INDEX*



This document utilizes an interactive table of contents to help you jump from one section to another. Click the button to return to the table of contents.

**RETURN TO TABLE OF CONTENTS**



### P-50 Safety Limit Stop

**SAFETY LIMIT STOPS**

- P--50 SAFETY LIMIT STOP
- P--100 SAFETY LIMIT SWITCH
- P--100A SAFETY LIMIT STOP
- P--200 SAFETY LIMIT STOP
- P--200A SAFETY LIMIT STOP
- P--375 SIMPLEX SAFETY
- P--375 DUPLEX SAFETY LIMIT STOP

**BRAKES**

**CONTACTORS**

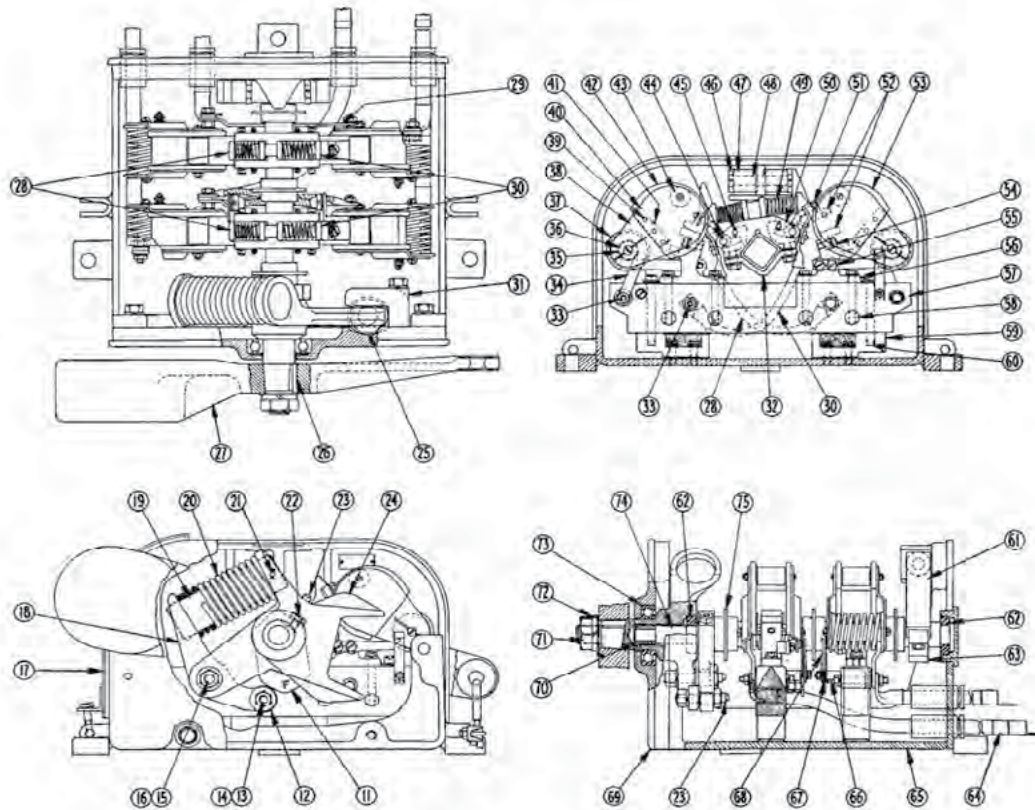
**INDEX**

| ITM     | OEM PART   | DESCRIPTION           | ITM     | OEM PART   | DESCRIPTION                   |
|---------|------------|-----------------------|---------|------------|-------------------------------|
| 3.....  | 55-1492    | Clamp                 | 33..... | 54-5536    | Cam                           |
| 4.....  | 29-2957    | Spacer                | 34..... | 20-1031    | Sealed Bearing                |
| 5.....  | 62-474-5   | Blowout Chute         | 35..... | 47-11557   | Cover                         |
| 6.....  | 23-3311-3  | Protecting Clip       | 36..... | 24-4404    | Lever                         |
| 7.....  | 13-898-9   | Pin                   | 37..... | 29-1620-5  | Spring Guide                  |
| 7.....  | 13-3187-2  | Spring Pin            | 38..... | 56-1174-16 | Insulating Bushing            |
| 8.....  | 13-1445-5  | Adjusting Pin         | 39..... | 69-2268    | Spring                        |
| 9.....  | 79-6141    | Contact Support       | 40..... | 13-733-13  | Pin                           |
| 10..... | 69-374     | Spring                | 41..... | 18-1475    | Stop Block                    |
| 11..... | 24-4406    | Contact Lever         | 42..... | 80-2405    | Insulating Mounting Material  |
| 12..... | 23-717     | Contact               | 43..... | 55-1488    | Clamp                         |
| 12..... | 49-3408    | Arc Guard             | 44..... | 55-1491    | Clamp                         |
| 19..... | 20-1065    | Sealed Ball Bearing   | 48..... | 13-1403-2  | Key                           |
| 20..... | 16-1870    | Shim Washer           | 49..... | 20-1033    | Bearing Cap                   |
| 21..... | 20-1032    | Bearing Cap           | 50..... | 20-1034    | Sealed Ball Bearing           |
| 22..... | 25-1472-2  | Connector             | 52..... | 9-460-443  | Blowout Coil                  |
| 23..... | 29-612     | Bushing               | 53..... | 56-1108-10 | Insulator                     |
| 25..... | 29-1954-5  | Spacer                | 53..... | 985-762    | Core                          |
| 26..... | 14148H183A | Weight Lever Straight | 54..... | 16-840-11  | Washer                        |
| 27..... | 16-403-15  | Washer                | 55..... | 61-439-2   | Rod                           |
| 28..... | 47-11575   | Locking Plate         | 56..... | 56-1105-10 | Insulator Tube                |
| 29..... | 19-958-17  | Pad                   | 59..... | 13-3830-2  | Moveable Shaft w/Insulation   |
| 30..... | 55-1490-2  | Bumper Holder         | 60..... | 13-3830-3  | Stationary Shaft w/Insulation |
| 31..... | 18-1476    | Bumper                | 65..... | 6-207      | Renewal Set of Contacts       |
| 32..... | 24-4407    | Stop Lever            |         |            |                               |

# O.C.C. REPLACEMENT PARTS FOR CUTLER HAMMER

This document utilizes an interactive table of contents to help you jump from one section to another. Click the button to return to the table of contents.

**RETURN TO TABLE OF CONTENTS**



## P-100 Safety Limit Switch

### SAFETY LIMIT STOPS

- P--50 SAFETY LIMIT STOP
- P--100 SAFETY LIMIT SWITCH
- P--100A SAFETY LIMIT STOP
- P--200 SAFETY LIMIT STOP
- P--200A SAFETY LIMIT STOP
- P--375 SIMPLEX SAFETY
- P--375 DUPLEX SAFETY LIMIT STOP

### BRAKES

### CONTACTORS

### INDEX

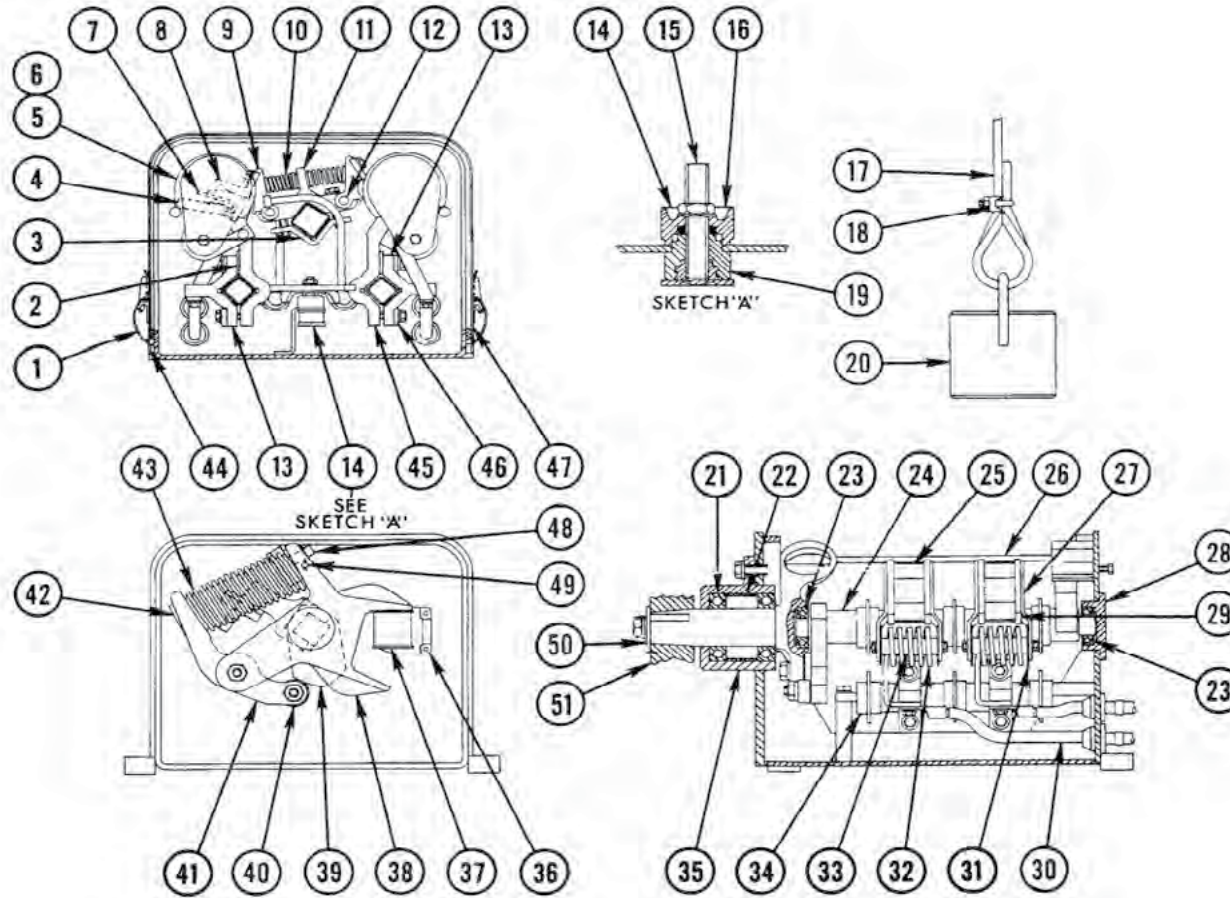
| ITM | OEM PART  | DESCRIPTION              | ITM | OEM PAR    | DESCRIPTION           |
|-----|-----------|--------------------------|-----|------------|-----------------------|
| 11  | 54-829    | Cam                      | 43  | 956-511    | Shaft                 |
| 12  | 29-1465   | Roller                   | 44  | 956-334    | Shaft                 |
| 13  | 11-789    | Screw                    | 45  | 15-663     | Nut                   |
| 14  | 20-253    | Needle Bearing           | 46  | 18-1157    | Bumper                |
| 15  | 11-788    | Screw                    | 47  | 914-611    | Bumper Stud           |
| 16  | 20-299    | Needle Bearing           | 48  | 69-647     | Spring                |
| 17  | 47-1673   | Cover                    | 49  | 916-1164Z  | Shim Washer           |
| 18  | 24-1611   | Cam Lever                | 50  | 20-123     | Contact Lever Support |
| 19  | 29-1459-2 | Tube                     | 51  | 916-763Z   | Lockwasher            |
| 20  | 69-869    | Spring                   | 51  | 911-5606Z  | Contact Screw         |
| 21  | 13-840    | Pin                      | 52  | 1321-69    | Contact Segment       |
| 22  | 11-796    | Headless Set Screw       | 53  | 662-187    | Blowout Chute DC      |
| 23  | 939-481   | Pipe Plug                | 54  | 916-763Z   | Lockwasher            |
| 24  | 24-1533   | Stop Lever               | 54  | 911-5606FZ | Contact Screw         |
| 25  | 18-1083   | Bumper                   | 55  | 916-763Z   | Lockwasher            |
| 26  | 13-1403   | Key                      | 55  | 911-5605FZ | Blowout Coil Screw    |
| 27  | 24-1532   | Weight Lever Straight    | 56  | 79-1145    | Contact Bracket       |
| 28  | 24-807    | Contact Lever Left Hand  | 57  | 81-2405    | Base                  |
| 29  | 25-828    | Connector                | 58  | 15-330     | Nut                   |
| 30  | 24-807-2  | Contact Lever Right Hand | 59  | 17-1544    | Mounting Block        |
| 31  | 55-464    | Bumper Holder            | 60  | 11-798     | Screw                 |
| 32  | 55-468    | Clamp                    | 61  | 24-738     | Stop Lever            |
| 33  | 911-5620Z | Screw                    | 62  | 29-1543-30 | Bearing               |
| 33  | 911-5622Z | Screw                    | 63  | 3455-9F1   | Clamp                 |
| 33  | 11-723-6  | Screw                    | 64  | 25-1473    | Connector             |
| 33  | 915-802Z  | Nut                      | 65  | 17-5282    | Frame                 |
| 33  | 916-801Z  | Washer                   | 66  | 15-332     | Spacer Nut            |
| 33  | 916-763Z  | Lockwasher               | 67  | 69-816     | Flat Spring           |
| 35  | 56-1079-3 | Tube                     | 68  | 79-1153    | Bracket               |
| 36  | 985-962Z  | Core DC (solid)          | 69  | 17-1531    | End Plate             |
| 37  | 1016-1004 | Washer                   | 70  | 29-1543-29 | Bronze Bearing        |
| 38  | 962-1204Z | DC Pole Piece            | 71  | 15-594-3   | Nut                   |
| 39  | 13-719    | Pin                      | 71  | 916-2042   | Lockwasher            |
| 40  | 2222-1485 | Spacer                   | 72  | 47-1672    | Locking Plate         |
| 41  | 933-201Z  | Clip                     | 74  | 13-1392    | Shaft                 |
| 42  | 4973-2    | Arc Shield Side Piece    | 75  | 13-1392-2  | Shaft Insulation      |
| 42  | 2222-386  | Spacer                   |     |            |                       |



# O.C.C. REPLACEMENT PARTS FOR CUTLER HAMMER

This document utilizes an interactive table of contents to help you jump from one section to another. Click the button to return to the table of contents.

**RETURN TO  
TABLE OF CONTENTS**



## P-100A Safety Limit Stop

### SAFETY LIMIT STOPS

- P--50 SAFETY LIMIT STOP
- P--100 SAFETY LIMIT SWITCH
- P--100A SAFETY LIMIT STOP
- P--200 SAFETY LIMIT STOP
- P--200A SAFETY LIMIT STOP
- P--375 SIMPLEX SAFETY
- P--375 DUPLEX SAFETY LIMIT STOP

### BRAKES

### CONTACTORS

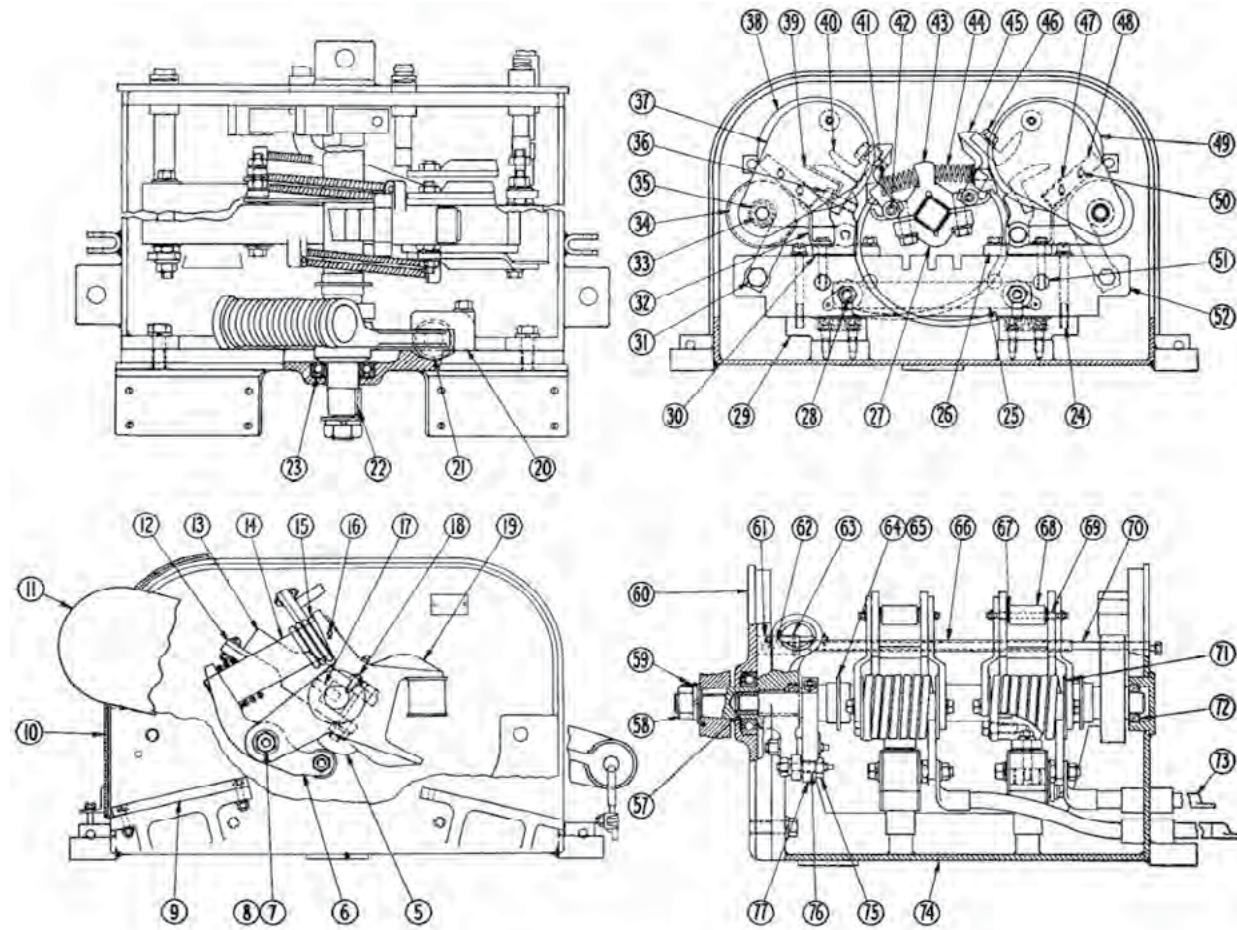
### INDEX

| ITM     | OEM PART  | DESCRIPTION              | ITM     | OEM PART   | DESCRIPTION               |
|---------|-----------|--------------------------|---------|------------|---------------------------|
| 2.....  | 29-2957   | Spacer                   | 30..... | 25-1472-3  | Connector                 |
| 3.....  | 55-1543   | Clamp                    | 31..... | 1016-1004  | Washer                    |
| 4.....  | 56-3018   | Spacer                   | 32..... | 9-460-446  | Blowout Coil 230 V. D.C.  |
| 6.....  | 62-479    | Blowout Complete         | 32a...  | 9-460-451  | Blowout Coil 550 V. D.C.  |
| 7.....  | 49-99     | Arc Guard                | 33..... | 18-1259-3  | D.C. Core                 |
| 8.....  | 23-435    | Contact                  | 33a...  | 56-1079-3  | Tube                      |
| 8a..... | 911-5646Z | Contact Mounting Screw   | 33b...  | 56-2672-12 | Insulator                 |
| 8b..... | 916-231   | Lockwasher               | 34..... | 13-3883    | Stationary Shaft Complete |
| 8c..... | 49-99     | Arc Guard                | 35..... | 20-1047    | Bearing Cap               |
| 9.....  | 24-4446-2 | Contact Lever            | 36..... | 55-464     | Bumper Holder             |
| 10..... | 69-2347   | Spring                   | 37..... | 18-1083    | Bumper                    |
| 11..... | 55-1537   | Support                  | 38..... | 24-4443    | Stop Lever                |
| 12..... | 13-441-5  | Pin                      | 39..... | 54-829     | Cam                       |
| 13..... | 55-1535   | Clamp                    | 40..... | 20-1031-2  | Bearing                   |
| 20..... | 20-1051   | Sealed Bearing           | 41..... | 24-4448    | Cam Lever                 |
| 21..... | 20-1052   | Sealed Bearing           | 42..... | 29-1459-3  | Tube                      |
| 22..... | 29-1954-6 | Spacer                   | 43..... | 69-869     | Spring                    |
| 24..... | 13-3883-2 | Movable Shaft Complete   | 44..... | 55-1397    | Clamp                     |
| 25..... | 56-2910   | Spacer                   | 45..... | 55-1536    | Clamp                     |
| 26..... | 69-2350   | Spring                   | 46..... | 56-1174-17 | Insulator                 |
| 26a...  | 61-1394-3 | Locking Rod Length 10.44 | 47..... | 47-11740   | Cover                     |
| 26b...  | 61-1394-4 | Locking Rod Length 13.50 | 48..... | 18-1491    | Stop Block                |
| 27..... | 62-483    | Pole Piece D.C.          | 49..... | 13-840     | Pin                       |
| 28..... | 20-1048   | Bearing Cap              | 50..... | 16-645-21  | Washer                    |
| 28a...  | 25-1472-3 | Connector                | 50a...  | 47-11734   | Locking Plate             |
|         |           |                          | 51..... | 14148H184A | Weight Lever Straight     |

# O.C.C. REPLACEMENT PARTS FOR CUTLER HAMMER

This document utilizes an interactive table of contents to help you jump from one section to another. Click the button to return to the table of contents.

**RETURN TO TABLE OF CONTENTS**



**P-200 Safety Limit Stop**

| ITM     | OEM PART        | DESCRIPTION             | ITM     | OEM PART        | DESCRIPTION                  |
|---------|-----------------|-------------------------|---------|-----------------|------------------------------|
| 05..... | 54-829.....     | Cam                     | 36..... | 916-199.....    | Lockwasher                   |
| 06..... | 20-253.....     | Needle Bearing          | 36..... | 911-5892Z.....  | Contact Screw                |
| 06..... | 24-1611.....    | Cam Lever               | 37..... | 3462-183F1..... | Pole Piece                   |
| 07..... | 11-788.....     | Screw                   | 38..... | 62-109-14.....  | Blowout Complete             |
| 08..... | 20-299.....     | Needle Bearing          | 39..... | 73-1268.....    | Arc Guard                    |
| 09..... | 18-1187.....    | Stop Block              | 40..... | 1321-829.....   | Contact Segment              |
| 10..... | 47-1994.....    | Cover                   | 41..... | 13-3962.....    | Adjusting Pin                |
| 11..... | 24-3607.....    | Weight Lever (Straight) | 42..... | 13-3961.....    | Shaft                        |
| 12..... | 18-1198.....    | Stop Block              | 43..... | 3479-236F1..... | Contact Support              |
| 13..... | 18-1196.....    | Stop Post               | 44..... | 69-1831.....    | Spring                       |
| 14..... | 29-1459-2.....  | Tube                    | 45..... | 24-1615.....    | Contact Lever with Connector |
| 15..... | 69-1832.....    | Spring                  | 47..... | 55-173.....     | Protecting Clip              |
| 16..... | 13-840.....     | Pin                     | 48..... | 29-1537.....    | Spacer                       |
| 17..... | 13-3186-1.....  | Roll Pin                | 49..... | 4973-3.....     | Arc Shield Side Piece        |
| 18..... | 11-796.....     | Headless Set Screw      | 50..... | 813-159.....    | Pin                          |
| 19..... | 24-1533.....    | Stop Lever              | 51..... | 15-330-2.....   | Nut                          |
| 20..... | 55-464.....     | Bumper Holder           | 52..... | 81-2513.....    | Base                         |
| 21..... | 18-1083.....    | Bumper                  | 57..... | 29-1543-29..... | Bronze Bearing               |
| 22..... | 13-1403.....    | Key                     | 58..... | 15-594-3.....   | Nut                          |
| 23..... | 20-755.....     | Seal Bearing            | 58..... | 916-2042.....   | Lockwasher                   |
| 24..... | 911-4872Z.....  | Screw                   | 59..... | 47-1672.....    | Locking Plate                |
| 25..... | 25-861.....     | Connector               | 60..... | 17-5625.....    | End Plate                    |
| 26..... | 79-4304.....    | Contact Bracket         | 61..... | 18-548.....     | Post                         |
| 27..... | 55-1609.....    | Clamp                   | 62..... | 69-2350.....    | Spring                       |
| 28..... | 815-1128.....   | Nut                     | 63..... | 13-3187-5.....  | Roll Pin                     |
| 28..... | 1314-845.....   | Stud For 1.5" Panel     | 64..... | 13-1466.....    | Shaft                        |
| 28..... | 911-5912Z.....  | Screw                   | 65..... | 13-1466-3.....  | Shaft Insulation             |
| 28..... | 816-1005.....   | Washer                  | 66..... | 29-550.....     | Insulator Tube               |
| 29..... | 17-1544.....    | Mounting Block          | 69..... | 829-505.....    | Spacer                       |
| 30..... | 19-359.....     | Shim                    | 70..... | 61-439.....     | Rod                          |
| 31..... | 911-5890Z.....  | Screw                   | 71..... | 16-687-6.....   | Insulating Washer            |
| 32..... | 79-4305.....    | Stop Bracket            | 72..... | 29-1543-30..... | Bearing                      |
| 33..... | 29-2607-9.....  | Core                    | 73..... | 25-1474.....    | Connector                    |
| 34..... | 9-460-232.....  | Blowout Coil            | 75..... | 11-789.....     | Screw                        |
| 35..... | 56-1111-13..... | Insulating Tube         | 77..... | 29-1465.....    | Roller                       |
|         |                 |                         | 78..... | 54-3538-2.....  | Weight                       |

## SAFETY LIMIT STOPS

- P--50 SAFETY LIMIT STOP
- P--100 SAFETY LIMIT SWITCH
- P--100A SAFETY LIMIT STOP
- P--200 SAFETY LIMIT STOP
- P--200A SAFETY LIMIT STOP
- P--375 SIMPLEX SAFETY
- P--375 DUPLEX SAFETY LIMIT STOP

## BRAKES

## CONTACTORS

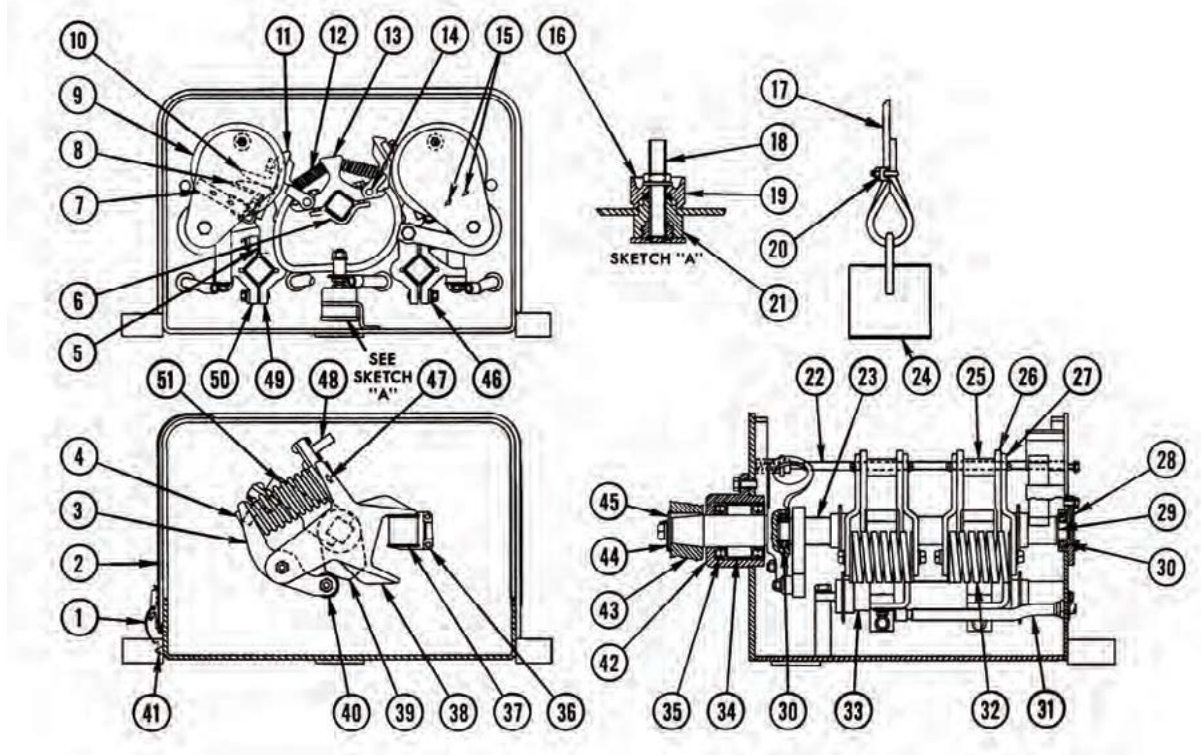
## INDEX



# O.C.C. REPLACEMENT PARTS FOR CUTLER HAMMER

This document utilizes an interactive table of contents to help you jump from one section to another. Click the button to return to the table of contents.

**RETURN TO  
TABLE OF CONTENTS**



## P-200A Safety Limit Stop

### SAFETY LIMIT STOPS

- P--50 SAFETY LIMIT STOP
- P--100 SAFETY LIMIT SWITCH
- P--100A SAFETY LIMIT STOP
- P--200 SAFETY LIMIT STOP
- P--200A SAFETY LIMIT STOP
- P--375 SIMPLEX SAFETY
- P--375 DUPLEX SAFETY LIMIT STOP

### BRAKES

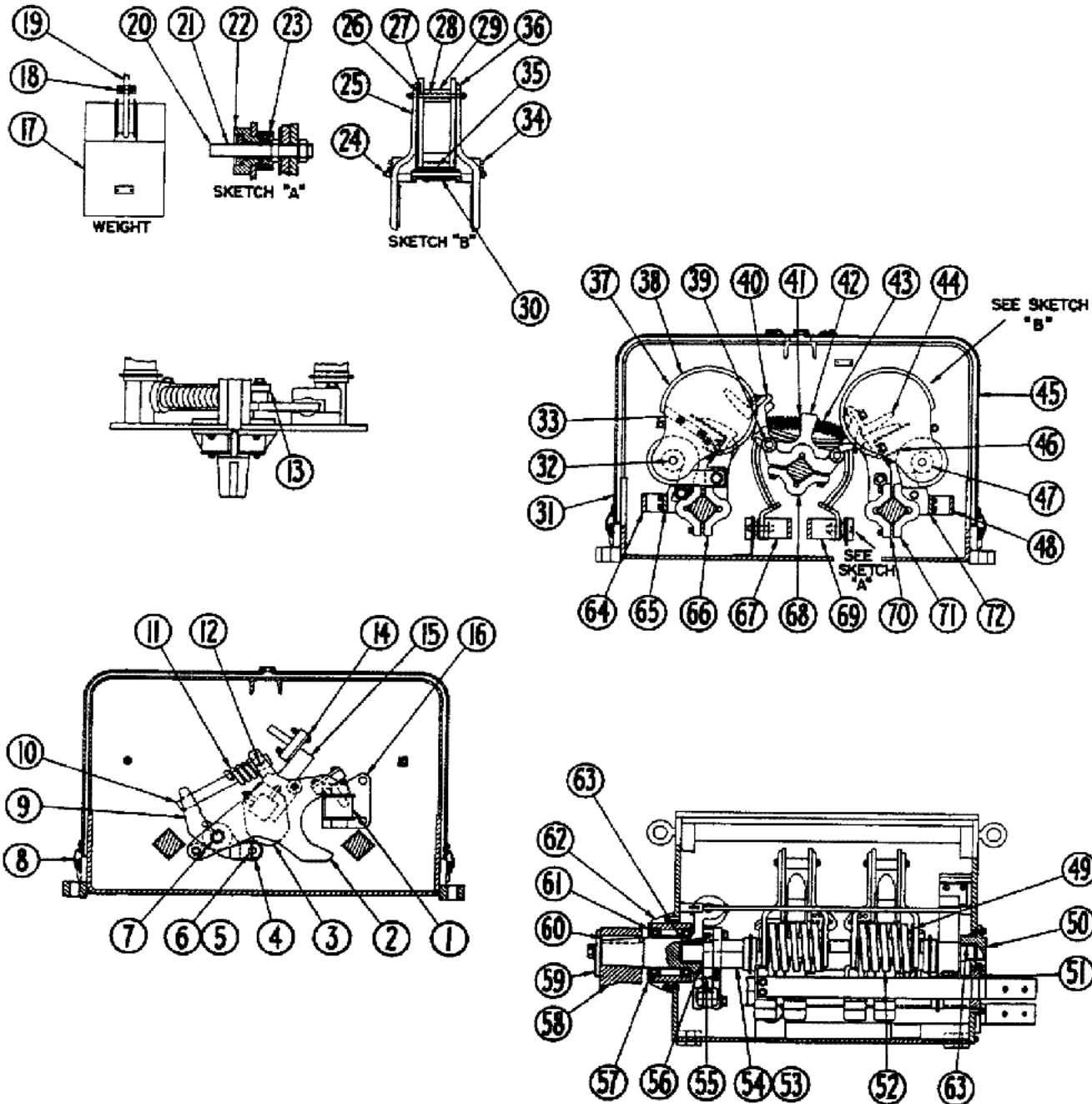
### CONTACTORS

### INDEX

| ITM     | OEM PART   | DESCRIPTION                         | ITM     | OEM PART   | DESCRIPTION                    |
|---------|------------|-------------------------------------|---------|------------|--------------------------------|
| 1.....  | 55-1396    | .....Clamp                          | 25..... | 1216-4     | .....Washer                    |
| 2.....  | 47-11733   | .....Cover                          | 25..... | 915-24F3   | .....Nut                       |
| 3.....  | 24-4448    | .....Cam Lever                      | 26..... | 4973-3     | .....Arc Shield                |
| 4.....  | 29-1459-2  | .....Tube                           | 27..... | 3462-183F1 | .....Pole Piece                |
| 5.....  | 29-2957-2  | .....Spacer                         | 28..... | 20-1048    | .....Bearing Cap               |
| 6.....  | 55-1539    | .....Clamp                          | 29..... | 16-357     | .....Shim Washer               |
| 7.....  | 56-3018-2  | .....Spacer                         | 30..... | 20-1051    | .....Sealed Bearing            |
| 8.....  | 73-1241    | .....Arc Guard                      | 31..... | 25-2006    | .....Connector                 |
| 9.....  | 62-109-14  | .....Blowout complete               | 32..... | 56-1111-13 | .....Insulating Tube           |
| 10..... | 23-1225    | .....Contact                        | 32..... | 9-460-450  | .....Blowout Coil, DC          |
| 10..... | 916-199    | .....Lockwasher                     | 32..... | 29-2607-9  | .....Core                      |
| 10..... | 911-5890Z  | .....Screw                          | 32..... | 16-687-6   | .....Insulating Washer         |
| 11..... | 24-4441-2  | .....Contact Lever                  | 32..... | 9-460-445  | .....Blowout Coil, AC          |
| 12..... | 69-721     | .....Spring                         | 33..... | 13-3879-7  | .....Insulation Assembly       |
| 13..... | 79-6284    | .....Support                        | 33..... | 13-3879    | .....Stationary Shaft Complete |
| 13..... | 13-3962    | .....Adjusting Pin                  | 34..... | 29-1954-6  | .....Spacer                    |
| 14..... | 13-441-4   | .....Shaft                          | 35..... | 20-1052    | .....Sealed Bearing            |
| 15..... | 813-159    | .....Pin                            | 36..... | 55-464     | .....Bumper Holder             |
| 16..... | 80-2464    | .....Insulated Mounting complete    | 37..... | 18-1398-2  | .....Bumper                    |
| 17..... | 86-1456    | .....Hoist Rope                     | 38..... | 24-4443    | .....Stop Lever                |
| 18..... | 14-403-30  | .....Stud                           | 39..... | 54-6121    | .....Cam                       |
| 19..... | 32-239-20  | .....O Ring                         | 40..... | 20-1031-2  | .....Bearing                   |
| 19..... | 56-2736    | .....Molded Insulator               | 41..... | 55-1397    | .....Clamp                     |
| 20..... | 999-119    | .....Elliptical Clip                | 42..... | 20-1047    | .....Bearing Cap               |
| 20..... | 3433-3     | .....Crosby Clip                    | 43..... | 14148H172A | .....Weight Lever, LH          |
| 21..... | 56-2759    | .....Insulator                      | 43..... | 14148H170A | .....Weight Lever, Straight    |
| 22..... | 61-1394    | .....Locking Rod Complete           | 43..... | 14148H171A | .....Weight Lever, RH          |
| 22..... | 69-2350    | .....Spring                         | 44..... | 47-11734   | .....Locking Plate             |
| 22..... | 13-3187-12 | .....Spring Pin                     | 45..... | 16-645-21  | .....Washer                    |
| 23..... | 13-3879-8  | .....Insulation assembly (moveable) | 46..... | 56-1174-17 | .....Insulator                 |
| 23..... | 13-131-3   | .....Key                            | 47..... | 13-840     | .....Pin                       |
| 23..... | 13-3879-2  | .....Movable Shaft Complete         | 48..... | 18-1491    | .....Stop Block                |
| 24..... | 14148H169A | .....Weight                         | 49..... | 55-1533    | .....Clamp                     |
| 25..... | 56-1288-9  | .....Spacer                         | 50..... | 55-1534    | .....Clamp                     |
| 25..... | 916-682Z   | .....Lockwasher                     | 51..... | 69-1832    | .....Spring                    |
| 25..... | 814-1685   | .....Stud                           |         |            |                                |



**P375 Simplex Safety Limit Stop**



This document utilizes an interactive table of contents to help you jump from one section to another. Click the button to return to the table of contents.

**RETURN TO  
TABLE OF CONTENTS**

*SAFETY LIMIT STOPS*

- P--50 SAFETY LIMIT STOP
- P--100 SAFETY LIMIT SWITCH
- P--100A SAFETY LIMIT STOP
- P--200 SAFETY LIMIT STOP
- P--200A SAFETY LIMIT STOP
- P--375 SIMPLEX SAFETY
- P--375 DUPLEX SAFETY LIMIT STOP

*BRAKES*

*CONTACTORS*

*INDEX*

**P-375 Simplex Safety Limit Stop**

| ITM     | OEM PART   | DESCRIPTION                  | ITM     | OEM PART  | DESCRIPTION            |
|---------|------------|------------------------------|---------|-----------|------------------------|
| 01..... | 18-1398    | Bumper                       | 49..... | 16-168    | Washer                 |
| 02..... | 24-4170    | Stop Lever                   | 50..... | 20-961    | Bearing Cap            |
| 04..... | 20-1011    | Roller Bearing               | 51..... | 56-2741   | Bus Insulator          |
| 05..... | 13-3187-6  | 156 Spring Pin               | 52..... | 9-460-435 | Blowout Coil           |
| 06..... | 13-197-5   | Pin                          | 55..... | 20-1027   | Sealed Bearing         |
| 07..... | 13-3663    | Pin                          | 56..... | 16-807-31 | Washer                 |
| 08..... | 55-1396    | Clamp                        | 57..... | 16-1294-8 | Steel Washer           |
| 09..... | 24-4173    | Cam Lever                    | 58..... | 24-4317   | Weight Lever, Straight |
| 10..... | 29-1620-4  | Spacer                       | 58a...  | 24-4317-2 | Weight Lever, LH       |
| 11..... | 69-2199    | Compression Spring           | 58a...  | 24-4317-3 | Weight Lever, RH       |
| 12..... | 13-1017-10 | Pin                          | 59..... | 47-11313  | Locking Plate          |
| 14..... | 18-1404    | Stop Block                   | 60..... | 13-1412   | Key                    |
| 15..... | 13-3656    | Movable Assembly Shaft       | 61..... | 20-964    | Ball Bearing           |
| 16..... | 55-1371    | Bumper Holder                | 62..... | 20-960    | Bearing Cap            |
| 17..... | 54-5339    | Weight                       | 63..... | 20-1027-2 | Sealed Bearing         |
| 18..... | 55-1448    | Wire Rope Clamp              | 64..... | 25-1814-2 | Bus Bar                |
| 19..... | 86-2205    | Wire Rope (10 Feet Long)     | 65..... | 25-1819-2 | Bus Bar                |
| 20..... | 99-468     | Insulating Mounting Material | 66..... | 55-1373   | Contact Clamp          |
| 21..... | 14-512-13  | Stud                         | 67..... | 25-1818-2 | Bus Bar                |
| 22..... | 56-2736-2  | Molded Insulator             | 68..... | 55-1375   | Clamp                  |
| 22a...  | 32-239-20  | O Ring                       | 69..... | 25-1818   | Bus Bar                |
| 23..... | 56-2978    | Insulator                    | 70..... | 55-1374   | Left Side Clamp        |
| 24..... | 14-117     | Stud                         | 71..... | 55-1372   | Right Side Clamp       |
| 25..... | 62-29      | Pole Piece                   | 72..... | 25-1819   | Bus Bar                |
| 26..... | 16-414     | Spring Washer                |         |           |                        |
| 27..... | 29-697     | Spacer                       |         |           |                        |
| 28..... | 29-698     | Tube                         |         |           |                        |
| 29..... | 29-699     | Spacer                       |         |           |                        |
| 30..... | 29-695     | Tube                         |         |           |                        |
| 31..... | 47-11059-2 | Cover                        |         |           |                        |
| 32..... | 51-84      | Core                         |         |           |                        |
| 33..... | 29-219     | Spacer                       |         |           |                        |
| 34..... | 13-285     | Pin                          |         |           |                        |
| 35..... | 29-696     | Spacer                       |         |           |                        |
| 36..... | 62-28      | Pole Piece                   |         |           |                        |
| 37..... | 62-450     | Arc Shield, Complete         |         |           |                        |
| 38..... | 73-125     | Arc Shield                   |         |           |                        |
| 39..... | 13-418     | Pin                          |         |           |                        |
| 40..... | 24-4172    | Contact Lever                |         |           |                        |
| 41..... | 13-1445-4  | Pivot Pin                    |         |           |                        |
| 42..... | 79-5666    | Support                      |         |           |                        |
| 43..... | 69-774     | Compression Spring           |         |           |                        |
| 44..... | 23-713     | Contact                      |         |           |                        |
| 44a...  | 49-367     | Arc Guard                    |         |           |                        |
| 44a...  | 911-6047Z  | Contact Screw                |         |           |                        |
| 44a...  | 916-1602Z  | Lockwasher                   |         |           |                        |
| 45..... | 47-11059   | Cover                        |         |           |                        |
| 45..... | 47-11059-3 | Cover (RH)                   |         |           |                        |
| 45..... | 47-11059-4 | Cover (LH)                   |         |           |                        |
| 46..... | 79-4180-23 | Bracket                      |         |           |                        |
| 47..... | 29-368     | Tube                         |         |           |                        |
| 48..... | 25-1814    | Bus Bar                      |         |           |                        |

This document utilizes an interactive table of contents to help you jump from one section to another. Click the button to return to the table of contents.

**RETURN TO  
TABLE OF CONTENTS**

***SAFETY LIMIT STOPS***

- P--50 SAFETY LIMIT STOP
- P--100 SAFETY LIMIT SWITCH
- P--100A SAFETY LIMIT STOP
- P--200 SAFETY LIMIT STOP
- P--200A SAFETY LIMIT STOP
- P--375 SIMPLEX SAFETY
- P--375 DUPLEX SAFETY LIMIT STOP

***BRAKES***

***CONTACTORS***

***INDEX***



**P-375 Duplex Safety Limit Stop**

| ITM     | OEM PART   | DESCRIPTION              | ITM     | OEM PART  | DESCRIPTION                  |
|---------|------------|--------------------------|---------|-----------|------------------------------|
| 01..... | 13-3663    | Pin                      | 53..... | 25-1906-2 | Bus Bar                      |
| 02..... | 55-1396    | Clamp                    | 54..... | 25-1817   | Bus Bar                      |
| 03..... | 47-11301-4 | Cover                    | 55..... | 25-1814-4 | Bus Bar                      |
| 04..... | 29-1620-4  | Spacer                   | 56..... | 25-1819-2 | Bus Bar                      |
| 05..... | 24-4173    | Cam Lever                | 57..... | 29-219    | Spacer                       |
| 06..... | 69-2236    | Compression Spring       | 57a...  | 13-285    | Pin                          |
| 08..... | 24-4170    | Stop Lever               | 58..... | 55-1375   | Clamp                        |
| 09..... | 13-1017-10 | Pin                      | 59..... | 73-125    | Arc Shield                   |
| 10..... | 18-1404    | Stop Block               | 60..... | 62-450    | Arc Shield, Complete         |
| 11..... | 20-1011    | Roller Bearing           | 61..... | 24-4172   | Contact Lever                |
| 11a...  | 13-197-5   | Pin                      | 62..... | 13-4928-2 | Shaft                        |
| 11b...  | 13-3187-6  | 156 Spring Pin           | 63..... | 79-5666   | Support                      |
| 12..... | 47-11301-3 | Cover                    | 63a...  | 13-1445-4 | Pivot Pin                    |
| 14..... | 18-1398    | Bumper                   | 64..... | 69-774    | Compression Spring           |
| 15..... | 55-1371    | Bumper Holder            | 65..... | 23-713    | Contact                      |
| 16..... | 55-1448    | Wire Rope Clamp          | 65a...  | 49-367    | Arc Guard                    |
| 17..... | 86-2205    | Wire Rope (10 Feet Long) | 66..... | 99-468    | Insulating Mounting Material |
| 18..... | 14148H139A | Weight                   | 67a...  | 55-1372   | Right Side Clamp             |
| 19..... | 56-2736-2  | Molded Insulator         | 67b...  | 55-1374   | Left Side Clamp              |
| 19a...  | 32-239-20  | O Ring                   | 68..... | 13-1412   | Key                          |
| 20..... | 56-2978    | Insulator                | 69..... | 20-960    | Bearing Cap                  |
| 21..... | 14-512-13  | Stud                     | 70..... | 20-964    | Ball Bearing                 |
| 22..... | 14-117     | Stud                     | 71..... | 13-3656-2 | Movable Shaft Assembly       |
| 23..... | 29-695     | Tube                     | 71a...  | 99-638-3  | Shaft Insulation Repair Kit  |
| 24..... | 62-29      | Pole Piece               | 72..... | 99-638-5  | Shaft Insulation Repair Kit  |
| 25..... | 16-414     | Spring Washer            | 73..... | 99-638-4  | Shaft Insulation Repair Kit  |
| 26..... | 29-699     | Spacer                   | 78..... | 6-207-4   | Contact Set                  |
| 27..... | 29-698     | Tube                     |         |           |                              |
| 28..... | 29-697     | Spacer                   |         |           |                              |
| 29..... | 814-492    | Stud                     |         |           |                              |
| 30..... | 62-28      | Pole Piece               |         |           |                              |
| 31..... | 29-696     | Spacer                   |         |           |                              |
| 32..... | 9-460-435  | Blowout Coil             |         |           |                              |
| 33..... | 51-84      | Core                     |         |           |                              |
| 33a...  | 29-368     | Tube                     |         |           |                              |
| 34..... | 16-168     | Washer                   |         |           |                              |
| 36..... | 20-961     | Bearing Cap              |         |           |                              |
| 36a...  | 19-1307    | Shim                     |         |           |                              |
| 37..... | 20-1027-2  | Sealed Bearing           |         |           |                              |
| 38..... | 56-2741    | Bus Insulator            |         |           |                              |
| 39..... | 56-2745    | Bus Insulator            |         |           |                              |
| 40..... | 56-2740    | Bus Insulator            |         |           |                              |
| 41..... | 20-1027    | Sealed Bearing           |         |           |                              |
| 41a...  | 16-807-31  | Washer                   |         |           |                              |
| 42..... | 16-1294-8  | Steel Washer             |         |           |                              |
| 43..... | 14148H140A | Weight Lever, Straight   |         |           |                              |
| 43a...  | 14148H142A | Weight Lever, Left Hand  |         |           |                              |
| 43b...  | 14148H141A | Weight Lever, Right Hand |         |           |                              |
| 44..... | 25-1819    | Bus Bar                  |         |           |                              |
| 45..... | 25-1814-3  | Bus Bar                  |         |           |                              |
| 46..... | 25-1907    | Bus Bar                  |         |           |                              |
| 47..... | 25-1906    | Bus Bar                  |         |           |                              |
| 48..... | 25-1911    | Bus Bar                  |         |           |                              |
| 49..... | 25-1818-3  | Bus Bar                  |         |           |                              |
| 50..... | 25-1818-4  | Bus Bar                  |         |           |                              |
| 51..... | 25-1911-2  | Bus Bar                  |         |           |                              |
| 52..... | 55-1373    | Contact Clamp            |         |           |                              |

This document utilizes an interactive table of contents to help you jump from one section to another. Click the button to return to the table of contents.

**RETURN TO  
TABLE OF CONTENTS**

**SAFETY LIMIT STOPS**

- P--50 SAFETY LIMIT STOP
- P--100 SAFETY LIMIT SWITCH
- P--100A SAFETY LIMIT STOP
- P--200 SAFETY LIMIT STOP
- P--200A SAFETY LIMIT STOP
- P--375 SIMPLEX SAFETY
- P--375 DUPLEX SAFETY LIMIT STOP

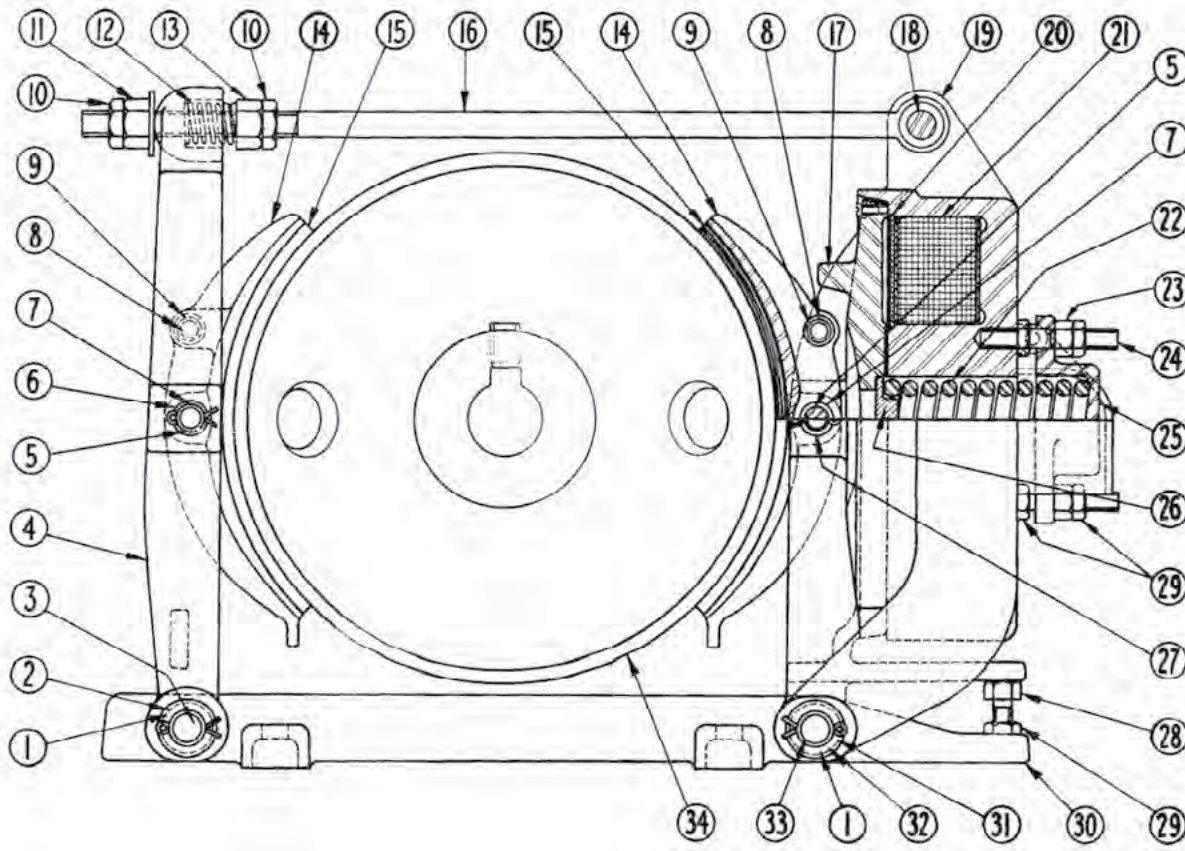
**BRAKES**

**CONTACTORS**

**INDEX**



This document utilizes an interactive table of contents to help you jump from one section to another. Click the button to return to the table of contents.



### No. 503 8" Type "M" Brake

| ITM     | OEM PART  | DESCRIPTION           | ITM     | OEM PART  | DESCRIPTION               |
|---------|-----------|-----------------------|---------|-----------|---------------------------|
| 1.....  | 29-468    | Base Bushing          | 17..... | 624-431   | Armature Lever w/Bushings |
| 2.....  | 29-1890-6 | Shoe Lever Bushings   | 18..... | 913-855   | Pin                       |
| 3.....  | 913-854   | Pin                   | 20..... | 630-54    | String Babitt             |
| 4.....  | 624-488   | Shoe Lever w/Bushings | 20..... | 873-6     | Coil Shield               |
| 5.....  | 913-856   | Pin                   | 21..... |           | Magnet Coil               |
| 6.....  | 29-466    | Shoe Lever Bushings   | 22..... | 69-489    | Main Spring               |
| 7.....  | 29-466    | Shoe Lever Bushings   | 23..... | 915-1403Z | Nut                       |
| 8.....  | 51-210    | Plug for Brake Shoe   | 24..... | 914-624   | Stud                      |
| 9.....  | 969-26J   | Spring in Brake Shoe  | 25..... | 3679-88F1 | Spring Support            |
| 10..... | 915-1443Z | Nut                   | 26..... | 879-43    | Spring Gland              |
| 11..... | 15-152    | Nut                   | 27..... | 29-466    | Shoe Lever Bushings       |
| 12..... | 969-461   | Spring for Pull Rod   | 28..... | 911-5892Z | Contact Screw             |
| 13..... | 915-1442Z | Nut                   | 29..... | 915-1401Z | Nut                       |
| 14..... | 48-320    | Brake Shoes w/Lining  | 30..... | 17-709-2  | Base                      |
| 15..... | 48-338-5  | Brake Lining          | 31..... | 29-1890-6 | Shoe Lever Bushings       |
| 15..... | 1312-441  | Rivets                | 32..... | 29-1890-6 | Shoe Lever Bushings       |
| 16..... | 61-135-3  | Pull Rod              | 33..... | 913-853   | Pin                       |

**RETURN TO  
TABLE OF CONTENTS**

#### SAFETY LIMIT STOPS

#### BRAKES

- No. 503 8" TYPE "M" BRAKE
- No. 503 10" TYPE "M" BRAKE
- No. 503 14" TYPE "M" BRAKE
- No. 503 18" TYPE "M" BRAKE
- No. 503 21" TYPE "M" BRAKE
- No. 503 24" TYPE "M" BRAKE
- No. 503 30" TYPE "M" BRAKE
- No. 505 8" D--C MAGNETIC BRAKE
- No. 505 10" D--C MAGNETIC BRAKE
- No. 505 13" D--C MAGNETIC BRAKE
- No. 505 16" D--C MAGNETIC BRAKE
- No. 505 19" D--C MAGNETIC BRAKE
- No. 505 23" D--C MAGNETIC BRAKE
- No. 505 30" D--C MAGNETIC BRAKE

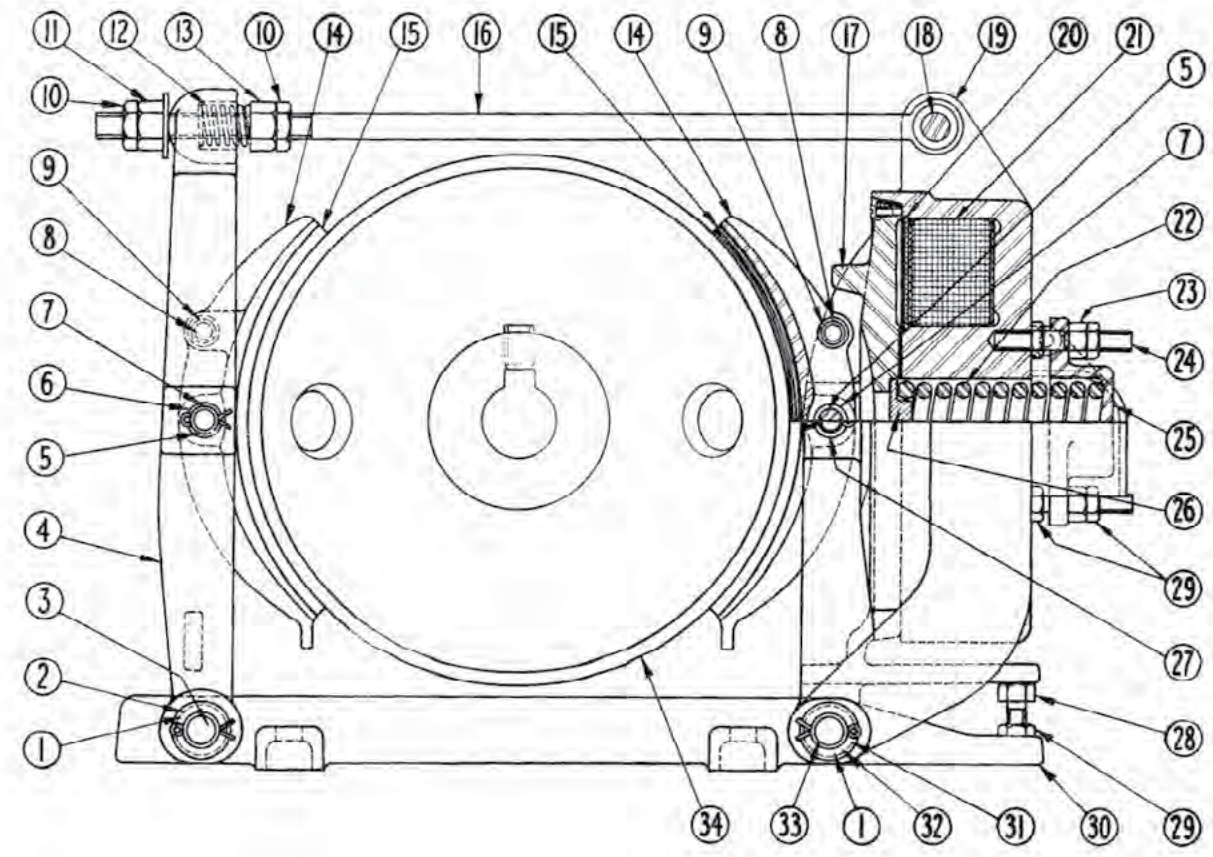
#### CONTACTORS

#### INDEX



This document utilizes an interactive table of contents to help you jump from one section to another. Click the button to return to the table of contents.

**RETURN TO TABLE OF CONTENTS**



**No. 503 10" Type "M" Brake**

*SAFETY LIMIT STOPS*

*BRAKES*

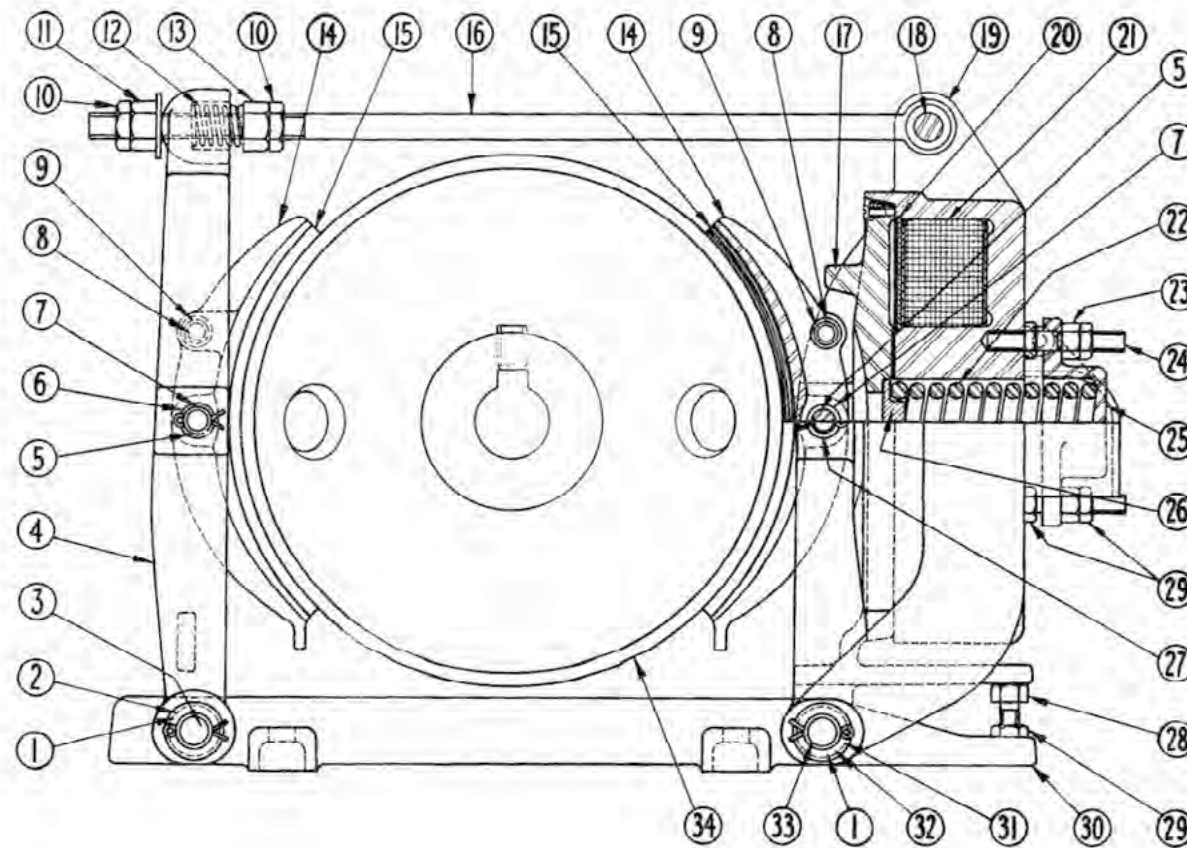
- No. 503 8" TYPE "M" BRAKE
- No. 503 10" TYPE "M" BRAKE
- No. 503 14" TYPE "M" BRAKE
- No. 503 18" TYPE "M" BRAKE
- No. 503 21" TYPE "M" BRAKE
- No. 503 24" TYPE "M" BRAKE
- No. 503 30" TYPE "M" BRAKE
- No. 505 8" D--C MAGNETIC BRAKE
- No. 505 10" D--C MAGNETIC BRAKE
- No. 505 13" D--C MAGNETIC BRAKE
- No. 505 16" D--C MAGNETIC BRAKE
- No. 505 19" D--C MAGNETIC BRAKE
- No. 505 23" D--C MAGNETIC BRAKE
- No. 505 30" D--C MAGNETIC BRAKE

*CONTACTORS*

*INDEX*

| ITM     | OEM PART  | DESCRIPTION                   | ITM     | OEM PART  | DESCRIPTION              |
|---------|-----------|-------------------------------|---------|-----------|--------------------------|
| 1.....  | 29-468    | Base Bushing                  | 18..... | 13-506-9  | Pin (For Pull Rod)       |
| 2.....  | 929-759   | Shoe Lever Bushing            | 20..... | 873-8     | Coil Shield              |
| 3.....  | 913-862   | Pin (For Shoe Lever)          | 20..... | 630-54    | String Babbit            |
| 4.....  | 624-489   | Shoe Lever With Bushings      | 21..... |           | Magnet Coil              |
| 5.....  | 913-863   | Pin (For Brake Shoe)          | 22..... | 69-490    | Main Spring              |
| 6.....  | 29-467    | Armature Bushings Only        | 23..... | 915-1403Z | Nut                      |
| 8.....  | 51-211    | Plug For Aligning Brake Shoe  | 24..... | 914-624   | Stud                     |
| 9.....  | 969-75J   | Spring in Brake Shoe          | 25..... | 3679-89F1 | Spring Support           |
| 10..... | 915-1443Z | Nut                           | 26..... | 879-3     | Spring Gland             |
| 11..... | 15-152    | Nut                           | 27..... | 29-467    | Armature Bushings Only   |
| 12..... | 69-2806   | Spring For Pull Rod           | 28..... | 911-444   | Adjusting Screw          |
| 13..... | 915-1442Z | Nut                           | 29..... | 915-1401Z | Nut                      |
| 14..... | 623-134   | Brake Shoe w/Lining Assembled | 30..... | 17-710-2  | Base                     |
| 15..... | 1312-441  | Rivets                        | 31..... | 929-759   | Shoe Lever Bushing       |
| 15..... | 48-338-6  | Brake Lining                  | 32..... | 929-760   | Armature Bushings (Base) |
| 16..... | 61-136-3  | Pull Rod                      | 33..... | 913-861   | Pin (For Armature)       |
| 17..... | 624-441   | Armature Lever With Bushings  | *       | 19-972-16 | Stop Plate               |

This document utilizes an interactive table of contents to help you jump from one section to another. Click the button to return to the table of contents.



### No. 503 14" Type "M" Brake

| ITM     | OEM PART  | DESCRIPTION                         | ITM     | OEM PART  | DESCRIPTION                  |
|---------|-----------|-------------------------------------|---------|-----------|------------------------------|
| 1.....  | 29-470    | .....Base Bushing                   | 18..... | 913-868   | .....Pin (For Pull Rod)      |
| 2.....  | 929-789   | .....Bushings                       | 20..... | 873-7     | .....Coil Shield             |
| 3.....  | 913-869   | .....Pin (For Shoe Lever)           | 21..... |           | .....Magnet Coil             |
| 4.....  | 624-490   | .....Shoe Lever With Bushings       | 22..... | 69-491    | .....Main Spring             |
| 5.....  | 913-870   | .....Pin (For Brake Shoe)           | 23..... | 915-1442Z | .....Nut                     |
| 6.....  | 29-469    | .....Bushings                       | 24..... | 914-599   | .....Stud                    |
| 8.....  | 51-212    | .....Plug For Aligning Brake Shoe   | 25..... | 3679-90F1 | .....Spring Support          |
| 9.....  | 969-265   | .....Spring In Brake Shoe           | 26..... | 49-2286-2 | .....Spring Gland            |
| 10..... | 915-1682Z | .....Lock Nut                       | 27..... | 29-469    | .....Bushings                |
| 11..... | 15-153    | .....Nut                            | 28..... | 911-6007Z | .....Adjusting Screw         |
| 12..... | 969-3841J | .....Spring For Pull Rod            | 29..... | 915-1443Z | .....Nut                     |
| 13..... | 915-1681Z | .....Nut                            | 30..... | 17-711-2  | .....Base                    |
| 14..... | 48-321    | .....Brake Shoes w/Lining Assembled | 31..... | 929-789   | .....Bushings                |
| 15..... | 48-338-10 | .....Brake Lining                   | 32..... | 929-788   | .....Armature Busings (Base) |
| 16..... | 61-137-3  | .....Pull Rod                       | 33..... | 913-871   | .....Pin (For Armature)      |
| 17..... | 624-435   | .....Armature Lever w/Bushings      |         |           |                              |

**RETURN TO TABLE OF CONTENTS**

#### SAFETY LIMIT STOPS

#### BRAKES

- No. 503 8" TYPE "M" BRAKE
- No. 503 10" TYPE "M" BRAKE
- No. 503 14" TYPE "M" BRAKE
- No. 503 18" TYPE "M" BRAKE
- No. 503 21" TYPE "M" BRAKE
- No. 503 24" TYPE "M" BRAKE
- No. 503 30" TYPE "M" BRAKE
- No. 505 8" D--C MAGNETIC BRAKE
- No. 505 10" D--C MAGNETIC BRAKE
- No. 505 13" D--C MAGNETIC BRAKE
- No. 505 16" D--C MAGNETIC BRAKE
- No. 505 19" D--C MAGNETIC BRAKE
- No. 505 23" D--C MAGNETIC BRAKE
- No. 505 30" D--C MAGNETIC BRAKE

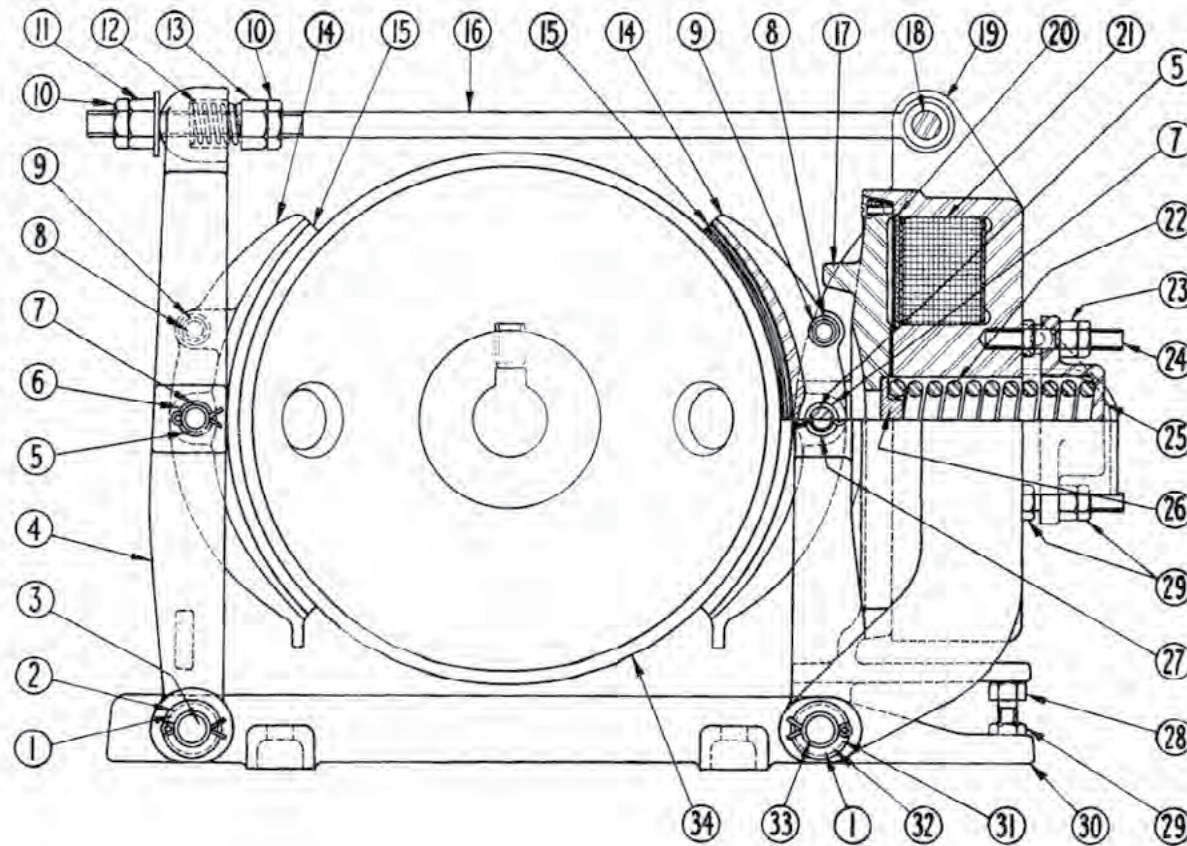
#### CONTACTORS

#### INDEX



This document utilizes an interactive table of contents to help you jump from one section to another. Click the button to return to the table of contents.

**RETURN TO TABLE OF CONTENTS**



**No. 503 18" Type "M" Brake**

**SAFETY LIMIT STOPS**

**BRAKES**

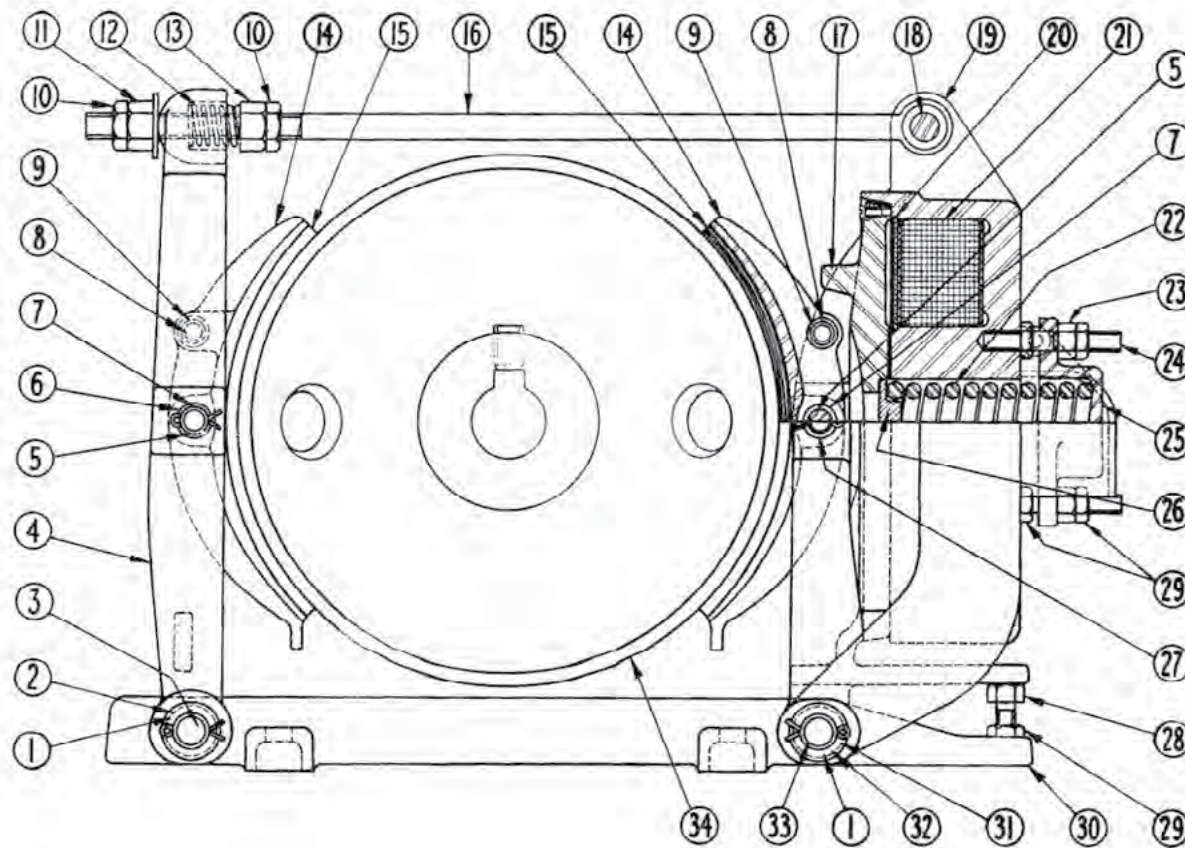
- No. 503 8" TYPE "M" BRAKE
- No. 503 10" TYPE "M" BRAKE
- No. 503 14" TYPE "M" BRAKE
- No. 503 18" TYPE "M" BRAKE
- No. 503 21" TYPE "M" BRAKE
- No. 503 24" TYPE "M" BRAKE
- No. 503 30" TYPE "M" BRAKE
- No. 505 8" D--C MAGNETIC BRAKE
- No. 505 10" D--C MAGNETIC BRAKE
- No. 505 13" D--C MAGNETIC BRAKE
- No. 505 16" D--C MAGNETIC BRAKE
- No. 505 19" D--C MAGNETIC BRAKE
- No. 505 23" D--C MAGNETIC BRAKE
- No. 505 30" D--C MAGNETIC BRAKE

**CONTACTORS**

**INDEX**

| ITM     | OEM PART  | DESCRIPTION                         | ITM     | OEM PART  | DESCRIPTION                       |
|---------|-----------|-------------------------------------|---------|-----------|-----------------------------------|
| 1.....  | 29-472    | .....Base Bushing                   | 17..... | 624-438   | .....Armature Lever With Bushings |
| 2.....  | 929-791   | .....Bushings                       | 18..... | 13-3978   | .....Pin (For Pull Rod)           |
| 3.....  | 913-873   | .....Pin (For Shoe Lever)           | 20..... | 873-10    | .....Coil Shield                  |
| 4.....  | 624-491   | .....Shoe Lever With Bushings       | 21..... |           | .....Magnet Coil                  |
| 5.....  | 913-875   | .....Pin (For Brake Shoe)           | 22..... | 69-492    | .....Main Spring                  |
| 6.....  | 29-469    | .....Bushings                       | 23..... | 915-1442Z | .....Nut                          |
| 7.....  | 29-469    | .....Bushings                       | 24..... | 914-599   | .....Stud                         |
| 8.....  | 51-213    | .....Plug For Aligning Brake Shoe   | 25..... | 3679-91F1 | .....Spring Support               |
| 9.....  | 969-433   | .....Spring in Brake Shoe           | 26..... | 49-2286   | .....Spring Gland                 |
| 10..... | 915-1682Z | .....Lock Nut                       | 27..... | 29-469    | .....Bushings                     |
| 11..... | 15-153    | .....Nut                            | 28..... | 911-6009Z | .....Adjusting Screw              |
| 12..... | 969-3841J | .....Spring For Pull Rod            | 29..... | 915-1443Z | .....Nut                          |
| 13..... | 915-1681Z | .....Nut                            | 30..... | 17-712-2  | .....Base                         |
| 14..... | 623-161   | .....Brake Shoes w/Lining Assembled | 31..... | 929-791   | .....Bushings                     |
| 15..... | 48-338-13 | .....Brake Lining                   | 32..... | 929-790   | .....Armature Bushings (Base)     |
| 16..... | 61-138-3  | .....Pull Rod                       | 33..... | 913-872   | .....Pin (For Armature)           |

This document utilizes an interactive table of contents to help you jump from one section to another. Click the button to return to the table of contents.



### No. 503 21" Type "M" Brake

| ITM     | OEM PART  | DESCRIPTION                    | ITM     | OEM PART  | DESCRIPTION               |
|---------|-----------|--------------------------------|---------|-----------|---------------------------|
| 1.....  | 29-473    | Base Bushing                   | 17..... | 624-433   | Armature Lever w/Bushings |
| 2.....  | 929-802   | Bushing                        | 18..... | 913-948   | Pin                       |
| 3.....  | 913-888   | Pin (For Shoe Lever)           | 20..... | 873-12    | Coil Shield               |
| 4.....  | 624-492   | Shoe Lever With Bushings       | 21..... |           | Magnet Coil               |
| 5.....  | 913-887   | Pin (For Brake Shoe)           | 22..... | 69-493    | Main Spring               |
| 6.....  | 29-471    | Bushings                       | 23..... | 915-1561Z | Nut                       |
| 7.....  | 29-471    | Bushings                       | 24..... | 914-738   | Stud                      |
| 8.....  | 51-214    | Plug For Aligning Brake Shoe   | 25..... | 3679-92F1 | Spring Support            |
| 9.....  | 969-434   | Spring in Brake Shoe           | 26..... | 49-2287   | Spring Gland              |
| 10..... | 915-2142Z | Lock Nut                       | 27..... | 29-471    | Bushings                  |
| 11..... | 15-154    | Nut                            | 28..... | 11-356    | Adjusting Screw           |
| 12..... | 69-711    | Spring For Pull Rod            | 29..... | 915-1562Z | Nut                       |
| 13..... | 915-2141Z | Nut                            | 30..... | 17-713-2  | Base                      |
| 14..... | 623-166   | Brake Shoes w/Lining Assembled | 31..... | 929-802   | Bushing                   |
| 15..... | 48-338-15 | Brake Lining                   | 32..... | 929-800   | Armature Bushings (Base)  |
| 16..... | 61-139-3  | Pull-Rod                       | 33..... | 913-880   | Pin (For Armature)        |

**RETURN TO TABLE OF CONTENTS**

#### SAFETY LIMIT STOPS

#### BRAKES

- No. 503 8" TYPE "M" BRAKE
- No. 503 10" TYPE "M" BRAKE
- No. 503 14" TYPE "M" BRAKE
- No. 503 18" TYPE "M" BRAKE
- No. 503 21" TYPE "M" BRAKE
- No. 503 24" TYPE "M" BRAKE
- No. 503 30" TYPE "M" BRAKE
- No. 505 8" D--C MAGNETIC BRAKE
- No. 505 10" D--C MAGNETIC BRAKE
- No. 505 13" D--C MAGNETIC BRAKE
- No. 505 16" D--C MAGNETIC BRAKE
- No. 505 19" D--C MAGNETIC BRAKE
- No. 505 23" D--C MAGNETIC BRAKE
- No. 505 30" D--C MAGNETIC BRAKE

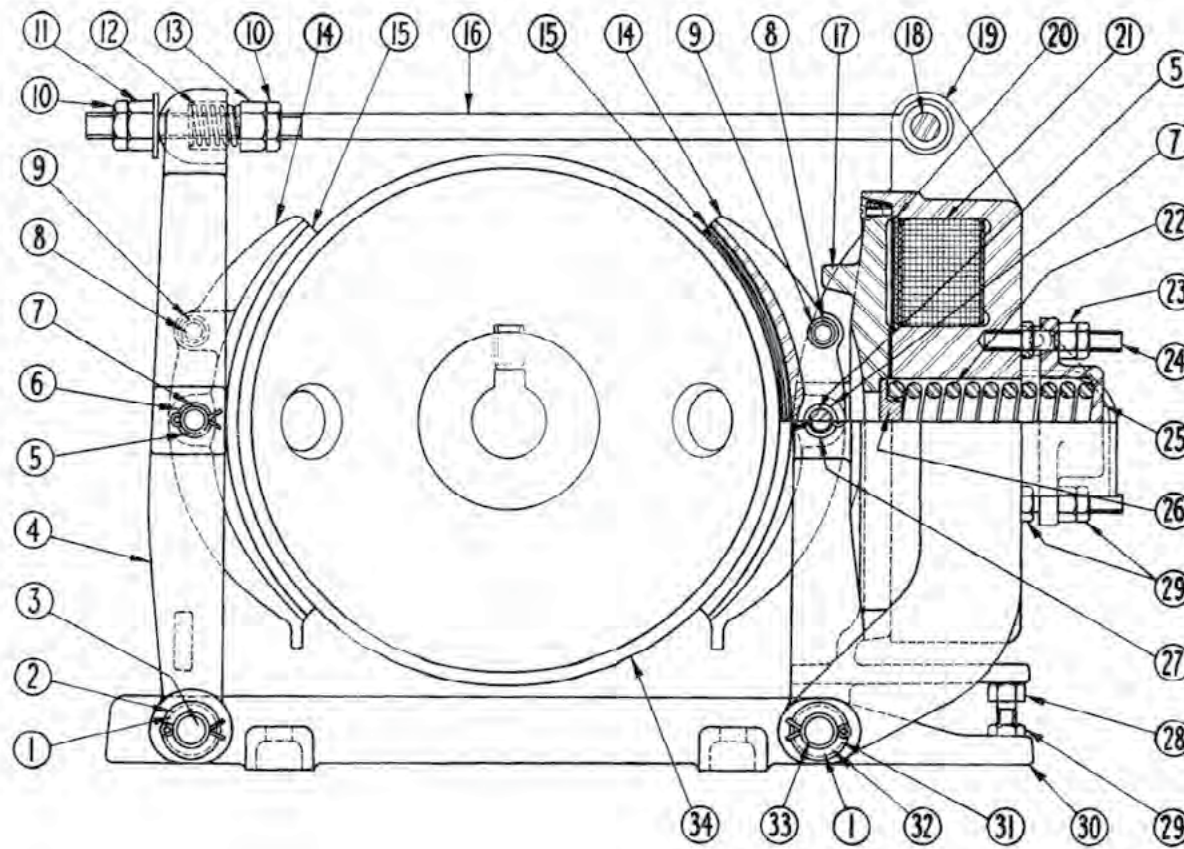
#### CONTACTORS

#### INDEX



This document utilizes an interactive table of contents to help you jump from one section to another. Click the button to return to the table of contents.

**RETURN TO TABLE OF CONTENTS**



**No. 503 24" Type "M" Brake**

*SAFETY LIMIT STOPS*

*BRAKES*

- No. 503 8" TYPE "M" BRAKE
- No. 503 10" TYPE "M" BRAKE
- No. 503 14" TYPE "M" BRAKE
- No. 503 18" TYPE "M" BRAKE
- No. 503 21" TYPE "M" BRAKE
- No. 503 24" TYPE "M" BRAKE
- No. 503 30" TYPE "M" BRAKE
- No. 505 8" D--C MAGNETIC BRAKE
- No. 505 10" D--C MAGNETIC BRAKE
- No. 505 13" D--C MAGNETIC BRAKE
- No. 505 16" D--C MAGNETIC BRAKE
- No. 505 19" D--C MAGNETIC BRAKE
- No. 505 23" D--C MAGNETIC BRAKE
- No. 505 30" D--C MAGNETIC BRAKE

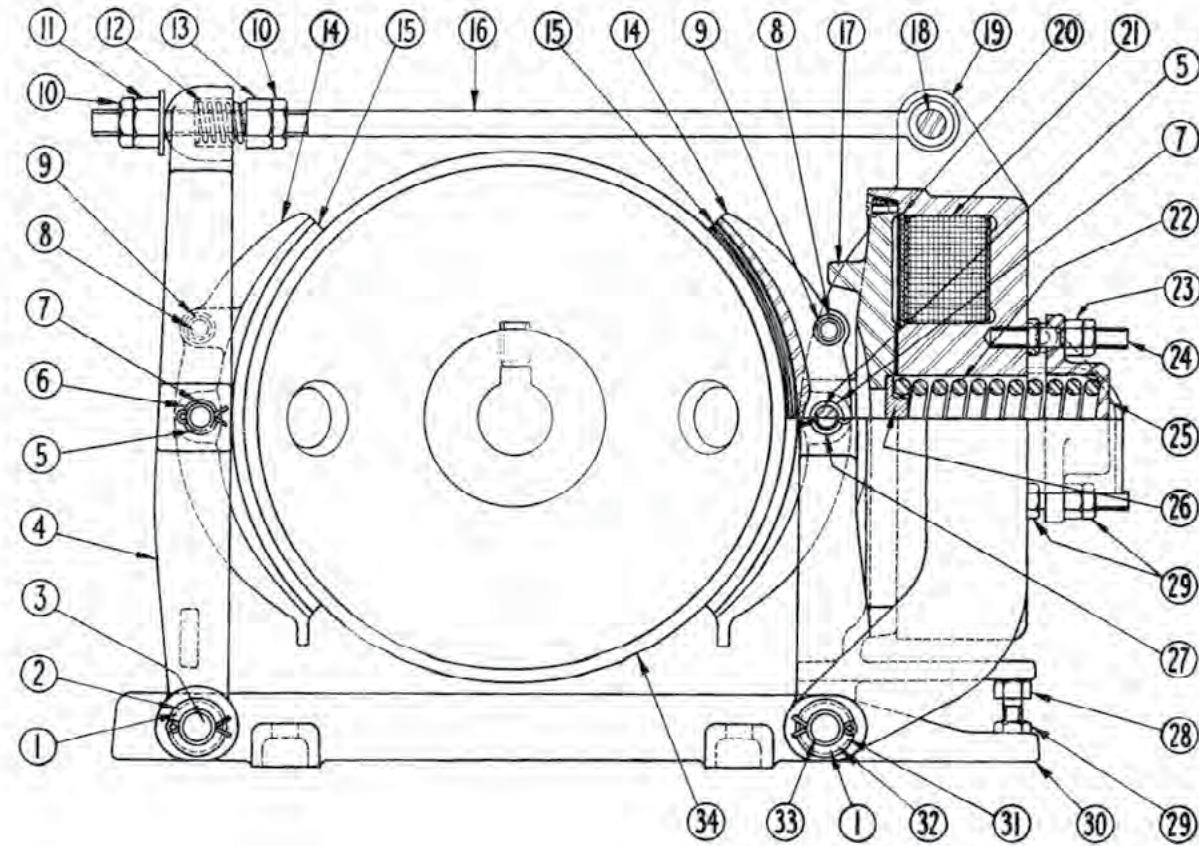
*CONTACTORS*

*INDEX*

| ITM     | OEM PART  | DESCRIPTION                    | ITM     | OEM PART  | DESCRIPTION               |
|---------|-----------|--------------------------------|---------|-----------|---------------------------|
| 1.....  | 29-473    | Base Bushing                   | 17..... | 624-433   | Armature Lever w/Bushings |
| 2.....  | 929-802   | Bushing                        | 18..... | 913-948   | Pin (For Pull Rod)        |
| 3.....  | 913-888   | Pin (For Shoe Lever)           | 20..... | 873-12    | Coil Shield               |
| 4.....  | 624-492   | Shoe Lever With Bushings       | 21..... |           | Magnet Coil               |
| 5.....  | 913-887   | Pin (For Brake Shoe)           | 22..... | 69-493    | Main Spring               |
| 6.....  | 29-471    | Bushings                       | 23..... | 915-1561Z | Nut                       |
| 7.....  | 29-471    | Bushings                       | 24..... | 914-738   | Stud                      |
| 8.....  | 51-214    | Plug For Aligning Brake Shoe   | 25..... | 3679-92F1 | Spring Support            |
| 9.....  | 969-434   | Spring in Brake Shoe           | 26..... | 49-2287   | Spring Gland              |
| 10..... | 915-2142Z | Lock Nut                       | 27..... | 29-471    | Bushings                  |
| 11..... | 15-154    | Nut                            | 28..... | 11-356    | Adjusting Screw           |
| 12..... | 69-711    | Spring For Pull Rod            | 29..... | 915-1562Z | Nut                       |
| 13..... | 915-2141Z | Nut                            | 30..... | 17-714-2  | Base                      |
| 14..... | 48-322    | Brake Shoes w/Lining Assembled | 31..... | 929-802   | Bushing                   |
| 15..... | 48-338-16 | Brake Lining                   | 32..... | 929-800   | Armature Bushings (Base)  |
| 16..... | 61-140-3  | Pull Rod                       | 33..... | 913-880   | Pin (For Armature)        |



This document utilizes an interactive table of contents to help you jump from one section to another. Click the button to return to the table of contents.



**RETURN TO TABLE OF CONTENTS**

*SAFETY LIMIT STOPS*

*BRAKES*

- No. 503 8" TYPE "M" BRAKE
- No. 503 10" TYPE "M" BRAKE
- No. 503 14" TYPE "M" BRAKE
- No. 503 18" TYPE "M" BRAKE
- No. 503 21" TYPE "M" BRAKE
- No. 503 24" TYPE "M" BRAKE
- No. 503 30" TYPE "M" BRAKE
- No. 505 8" D--C MAGNETIC BRAKE
- No. 505 10" D--C MAGNETIC BRAKE
- No. 505 13" D--C MAGNETIC BRAKE
- No. 505 16" D--C MAGNETIC BRAKE
- No. 505 19" D--C MAGNETIC BRAKE
- No. 505 23" D--C MAGNETIC BRAKE
- No. 505 30" D--C MAGNETIC BRAKE

*CONTACTORS*

*INDEX*

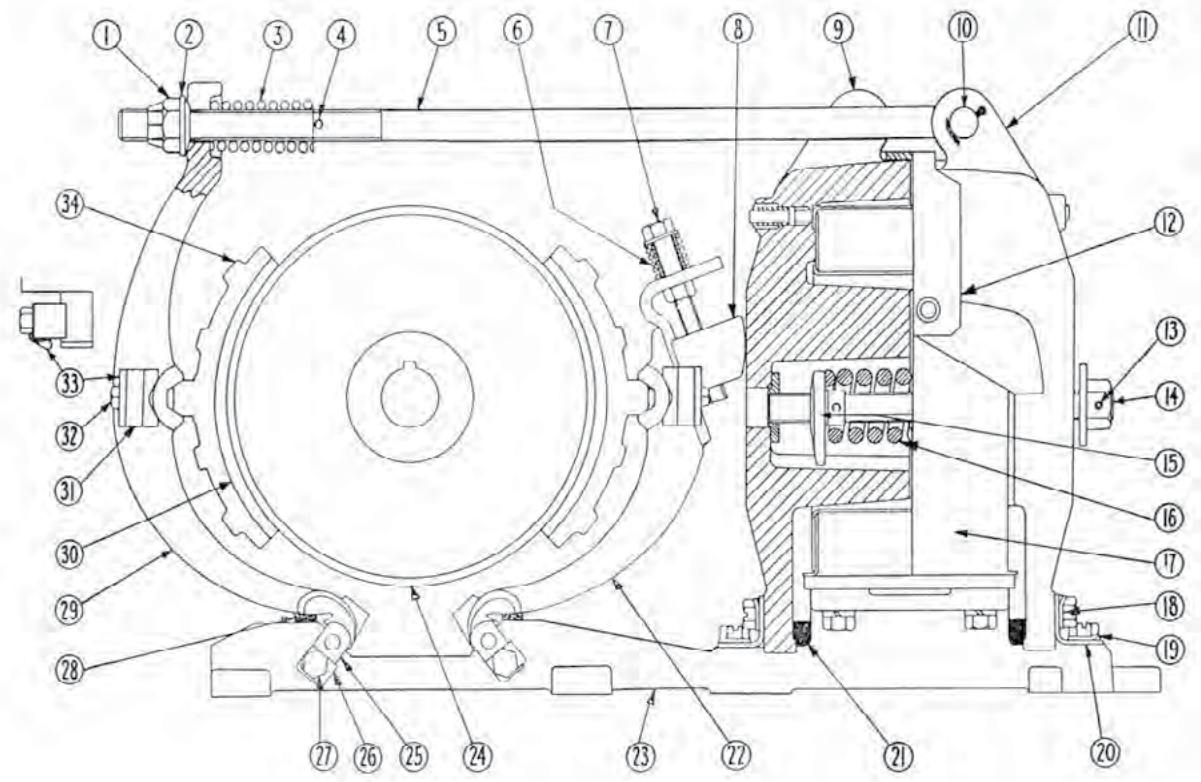
**No. 503 30" Type "M" Brake**

| ITM     | OEM PART        | DESCRIPTION              | ITM     | OEM PART        | DESCRIPTION              |
|---------|-----------------|--------------------------|---------|-----------------|--------------------------|
| 1.....  | 29-474 .....    | Bushing                  | 18..... | 913-894 .....   | Pin                      |
| 2.....  | 929-805 .....   | Bushing                  | 20..... | 873-11 .....    | Coil Shield              |
| 3.....  | 913-896 .....   | Pin                      | 21..... | .....           | Magnet Coil              |
| 4.....  | 624-493 .....   | Shoe Lever with Bushings | 22..... | 69-494 .....    | Main Spring              |
| 5.....  | 913-895 .....   | Pin                      | 23..... | 915-1561Z.....  | Nut                      |
| 7.....  | 29-472 .....    | Bushing                  | 24..... | 914-738 .....   | Stud                     |
| 8.....  | 51-215 .....    | Plug                     | 25..... | 3679-92F1 ..... | Spring Support           |
| 9.....  | 969-651 .....   | Spring in Brake Shoe     | 26..... | 49-2287-2.....  | Spring Gland             |
| 10..... | 915-2382Z.....  | Lock Nut                 | 27..... | 29-472 .....    | Base Bushing             |
| 11..... | 15-155 .....    | Nut                      | 28..... | 911-6056Z.....  | Adjusting Screw          |
| 12..... | 969-463 .....   | Spring                   | 29..... | 915-1562Z.....  | Nut                      |
| 13..... | 915-2381Z.....  | Nut                      | 30..... | 17-715-2.....   | Base                     |
| 14..... | 623-167 .....   | Brake Shoes w/Lining     | 31..... | 929-805 .....   | Bushing                  |
| 15..... | 48-338-18 ..... | Brake Lining             | 32..... | 929-806 .....   | Armature Bushings (Base) |
| 16..... | 61-141-3 .....  | Pull Rod                 | 33..... | 913-890 .....   | Pin                      |
| 17..... | 624-454 .....   | Armature Lever           |         |                 |                          |

# O.C.C. REPLACEMENT PARTS FOR CUTLER HAMMER

This document utilizes an interactive table of contents to help you jump from one section to another. Click the button to return to the table of contents.

**RETURN TO TABLE OF CONTENTS**



## No. 505 8" D-C Magnetic Brake

### SAFETY LIMIT STOPS

#### BRAKES

- No. 503 8" TYPE "M" BRAKE
- No. 503 10" TYPE "M" BRAKE
- No. 503 14" TYPE "M" BRAKE
- No. 503 18" TYPE "M" BRAKE
- No. 503 21" TYPE "M" BRAKE
- No. 503 24" TYPE "M" BRAKE
- No. 503 30" TYPE "M" BRAKE
- No. 505 8" D--C MAGNETIC BRAKE
- No. 505 10" D--C MAGNETIC BRAKE
- No. 505 13" D--C MAGNETIC BRAKE
- No. 505 16" D--C MAGNETIC BRAKE
- No. 505 19" D--C MAGNETIC BRAKE
- No. 505 23" D--C MAGNETIC BRAKE
- No. 505 30" D--C MAGNETIC BRAKE

#### CONTACTORS

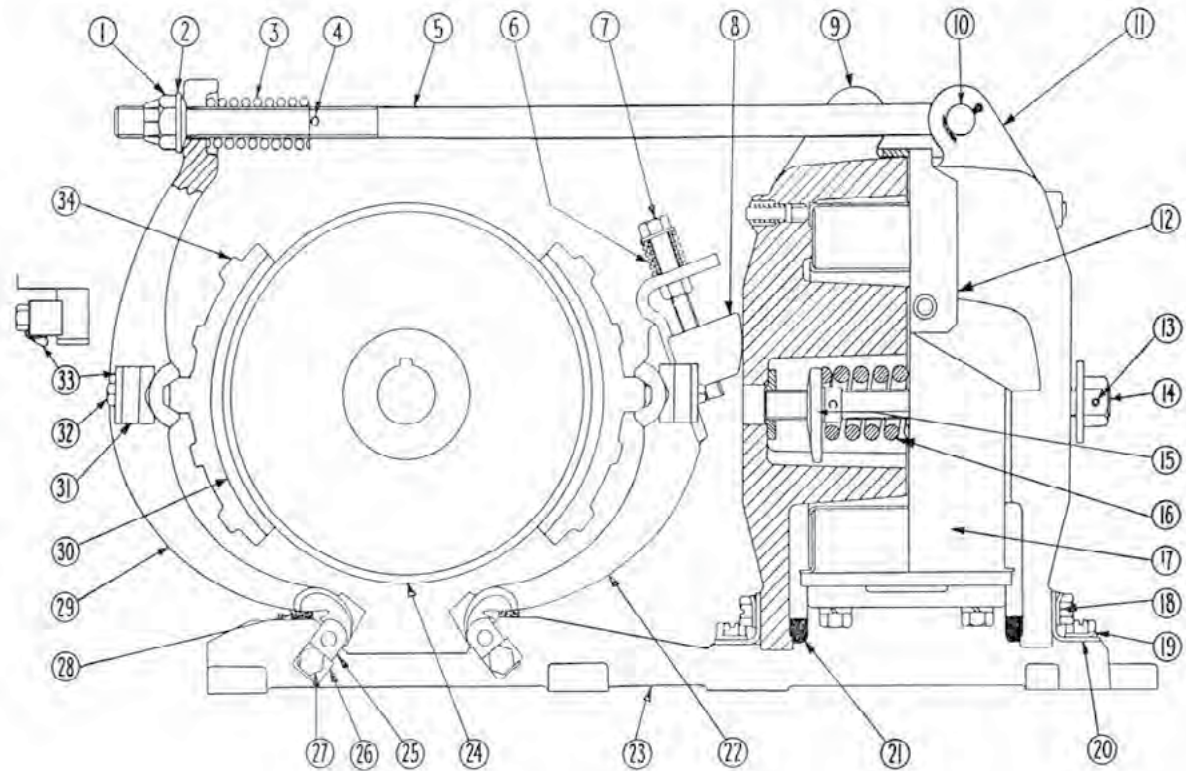
#### INDEX

| ITM     | OEM PART  | DESCRIPTION               | ITM     | OEM PART  | DESCRIPTION        |
|---------|-----------|---------------------------|---------|-----------|--------------------|
| 1.....  | 15-670    | Nut                       | 17..... |           | Coil               |
| 2.....  | 16-1598   | Spherical Washer          | 18..... | 19-982-27 | Lock Strip         |
| 3.....  | 69-2024   | Spring                    | 19..... | 19-982-26 | Lock Strip         |
| 4.....  | 13-3186-7 | Spring Pin                | 20..... | 99-2058   | Retro-fit Kit      |
| 5.....  | 61-1013   | Pull Rod                  | 21..... | 32-50-9   | Felt               |
| 6.....  | 969-482   | Spring                    | 22..... | 24-3320-8 | Shoe Lever (Inner) |
| 7.....  | 54-4020   | Wedge Adjustment Assembly | 23..... | 17-6371-2 | Base               |
| 8.....  | 54-2863   | Adjusting Wedge           | 25..... | 55-1650   | Retainer           |
| 9.....  | 48-641-5  | Armature (Inner)          | 26..... | 79-6783-5 | Lock Bracket       |
| 10..... | 13-506-9  | Pin                       | 28..... | 32-467    | Dacron Felt        |
| 11..... | 48-641-6  | Armature (Outer)          | 29..... | 24-3321-4 | Shoe Lever (Outer) |
| 12..... | 73-1017   | Rubber Guard              | 30..... | 48-338-24 | Shoe Lining        |
| 13..... | 13-3186-5 | Spring Pin                | 31..... | 55-1037   | Clamp              |
| 14..... | 11-1746   | Adjusting Screw Assembly  | 32..... | 11-1788   | Cap Screw          |
| 15..... | 49-2212   | Gland                     | 33..... | 69-1975   | Lock Spring        |
| 16..... | 69-1694   | Compression Spring        | 34..... | 48-1267-4 | Shoe               |



This document utilizes an interactive table of contents to help you jump from one section to another. Click the button to return to the table of contents.

**RETURN TO TABLE OF CONTENTS**



### No. 505 10" D-C Magnetic Brake

| ITM     | OEM PART  | DESCRIPTION               | ITM     | OEM PART  | DESCRIPTION        |
|---------|-----------|---------------------------|---------|-----------|--------------------|
| 1.....  | 15-670    | Nut                       | 17..... |           | Coil               |
| 2.....  | 16-1598   | Spherical Washer          | 20..... | 99-2058-2 | Retro-Fit Kit      |
| 3.....  | 69-2024   | Spring                    | 21..... | 32-50-8   | Felt               |
| 4.....  | 13-3186-7 | Spring Pin                | 22..... | 24-3288-9 | Shoe Lever (Inner) |
| 5.....  | 61-1006   | Pull Rod                  | 23..... | 17-6934   | Base               |
| 6.....  | 69-290    | Spring                    | 25..... | 55-1650   | Retainer           |
| 7.....  | 54-4020-2 | Wedge Adjustment Assembly | 26..... | 79-6783-5 | Lock Bracket       |
| 8.....  | 54-2813   | Adjustment Wedge          | 27..... | 11-2051   | Screw              |
| 9.....  | 48-627-5  | Armature (Inner)          | 28..... | 32-467-2  | Dacron Felt        |
| 10..... | 13-506-9  | Pin (For Pull Rod)        | 29..... | 24-3289-4 | Shoe Lever (Outer) |
| 11..... | 48-627-6  | Armature (Outer)          | 30..... | 48-338-22 | Lining             |
| 12..... | 73-1017-2 | Rubber Guard              | 31..... | 55-1037   | Clamp              |
| 13..... | 13-3186-5 | Spring Pin                | 32..... | 11-1788   | Cap Screw          |
| 14..... | 11-1746-2 | Adjustment Assembly       | 33..... | 69-1975   | Lock Spring        |
| 15..... | 49-2194-2 | Gland                     | 34..... | 48-1268-4 | Shoe with Lining   |
| 16..... | 69-1680   | Compression Spring        |         |           |                    |

#### SAFETY LIMIT STOPS

#### BRAKES

- No. 503 8" TYPE "M" BRAKE
- No. 503 10" TYPE "M" BRAKE
- No. 503 14" TYPE "M" BRAKE
- No. 503 18" TYPE "M" BRAKE
- No. 503 21" TYPE "M" BRAKE
- No. 503 24" TYPE "M" BRAKE
- No. 503 30" TYPE "M" BRAKE
- No. 505 8" D--C MAGNETIC BRAKE
- No. 505 10" D--C MAGNETIC BRAKE
- No. 505 13" D--C MAGNETIC BRAKE
- No. 505 16" D--C MAGNETIC BRAKE
- No. 505 19" D--C MAGNETIC BRAKE
- No. 505 23" D--C MAGNETIC BRAKE
- No. 505 30" D--C MAGNETIC BRAKE

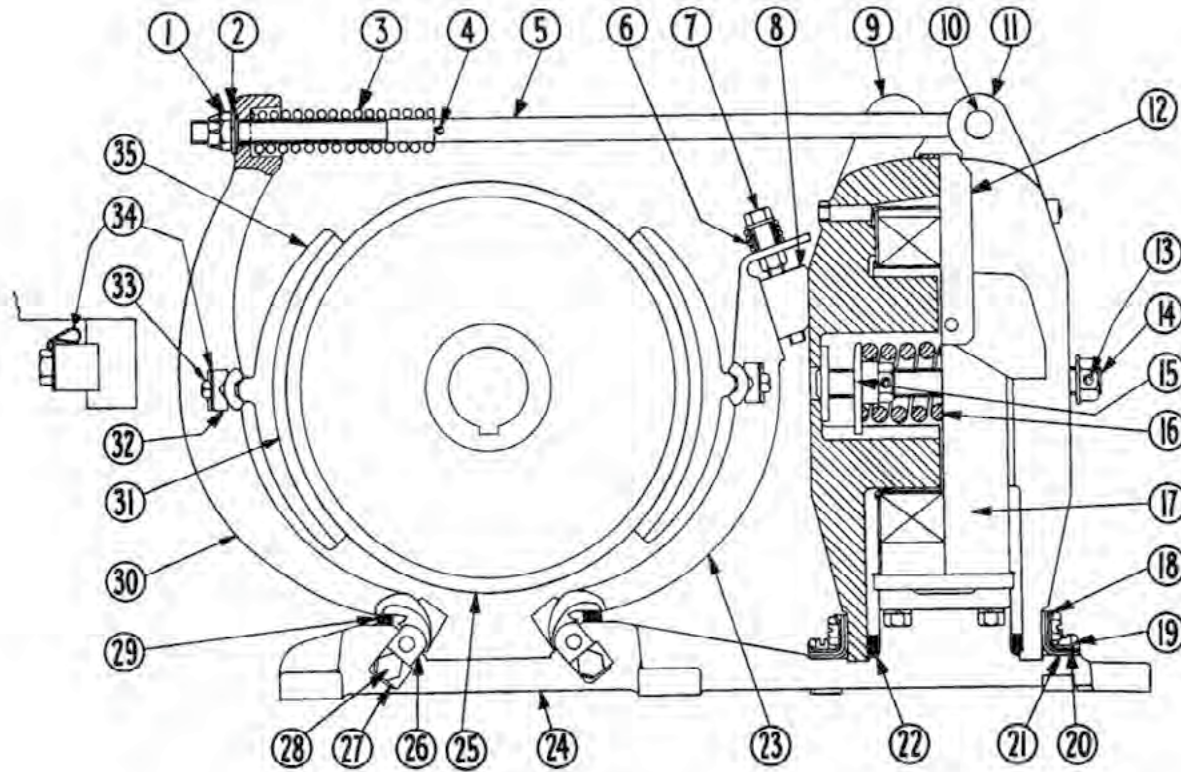
#### CONTACTORS

#### INDEX

# O.C.C. REPLACEMENT PARTS FOR CUTLER HAMMER

This document utilizes an interactive table of contents to help you jump from one section to another. Click the button to return to the table of contents.

**RETURN TO TABLE OF CONTENTS**



## No. 505 13" D-C Magnetic Brake

### SAFETY LIMIT STOPS

#### BRAKES

- No. 503 8" TYPE "M" BRAKE
- No. 503 10" TYPE "M" BRAKE
- No. 503 14" TYPE "M" BRAKE
- No. 503 18" TYPE "M" BRAKE
- No. 503 21" TYPE "M" BRAKE
- No. 503 24" TYPE "M" BRAKE
- No. 503 30" TYPE "M" BRAKE
- No. 505 8" D--C MAGNETIC BRAKE
- No. 505 10" D--C MAGNETIC BRAKE
- No. 505 13" D--C MAGNETIC BRAKE
- No. 505 16" D--C MAGNETIC BRAKE
- No. 505 19" D--C MAGNETIC BRAKE
- No. 505 23" D--C MAGNETIC BRAKE
- No. 505 30" D--C MAGNETIC BRAKE

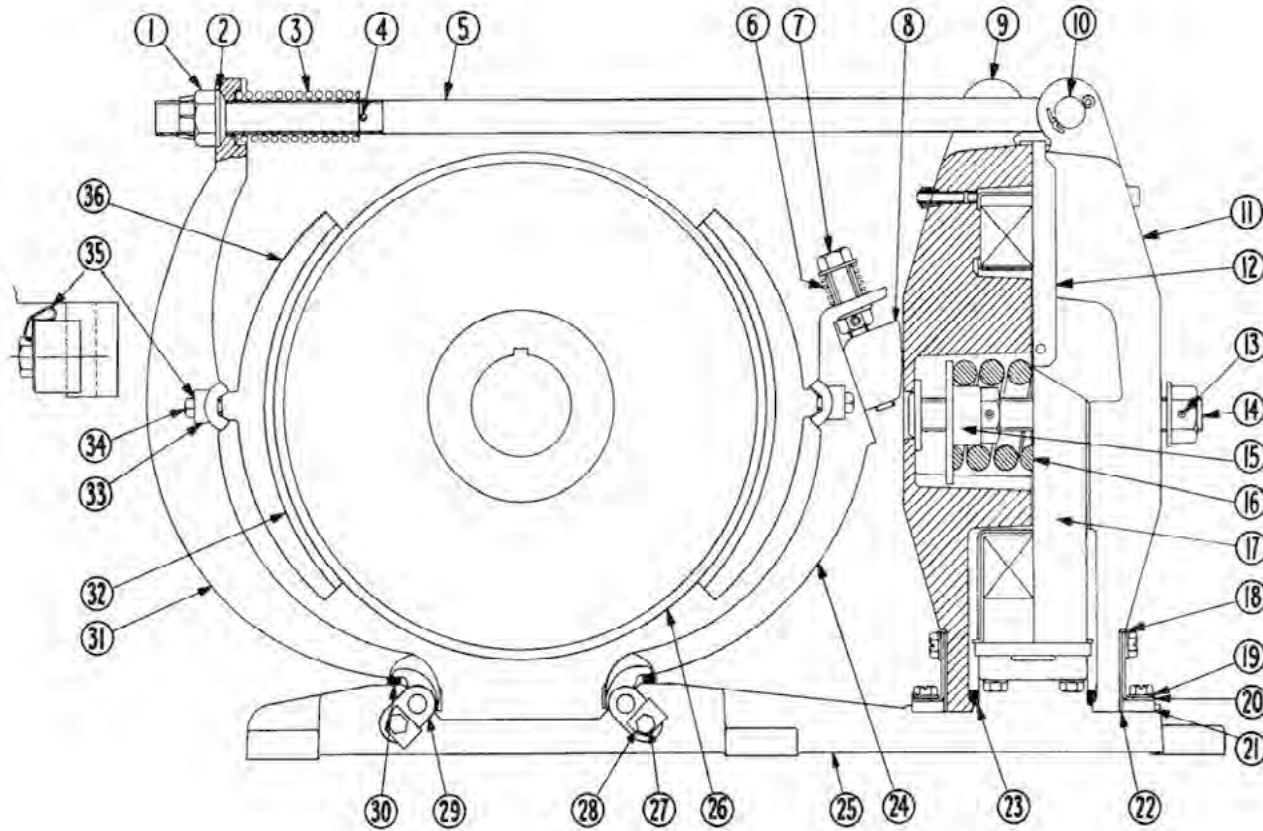
#### CONTACTORS

#### INDEX

| ITM     | OEM PART  | DESCRIPTION              | ITM     | OEM PART   | DESCRIPTION        |
|---------|-----------|--------------------------|---------|------------|--------------------|
| 1.....  | 15-680    | Locknut                  | 17..... |            | Coil               |
| 2.....  | 16-1598-2 | Spherical Washer         | 18..... | 19-982-20  | Lock Strip         |
| 3.....  | 69-2029   | Spring                   | 19..... | 19-982-19  | Lock Strip         |
| 4.....  | 13-3186-7 | Spring Pin               | 20..... | 99-2058-3  | Retro-Fit Kit      |
| 5.....  | 61-985    | Pull Rod                 | 22..... | 32-50-10   | Felt               |
| 6.....  | 69-942    | Spring                   | 23..... | 24-3226-12 | Shoe Lever (Inner) |
| 7.....  | 54-4020-7 | Wedge Adjusting Assembly | 24..... | 17-6934-2  | Base               |
| 8.....  | 54-2652-2 | Adjusting Wedge          | 26..... | 55-1649    | Retainer           |
| 9.....  | 48-602-5  | Armature (Inner)         | 27..... | 79-6783-5  | Lock Bracket       |
| 10..... | 13-506-9  | Pin (For Pull Rod)       | 28..... | 11-2051    | Screw              |
| 11..... | 48-602-11 | Armature (Outer)         | 29..... | 32-467-3   | Dacron Felt        |
| 12..... | 73-1017-3 | Rubber Guard             | 30..... | 24-3227-4  | Shoe Lever (Outer) |
| 13..... | 13-3186-9 | Spring Pin               | 32..... | 55-1037    | Clamp              |
| 14..... | 11-1746-3 | Adjusting Screw Assembly | 33..... | 11-1788    | Screw              |
| 15..... | 49-2153-2 | Gland                    | 34..... | 69-1975    | Lock Spring        |
| 16..... | 69-1652   | Compression Spring       | 35..... | 48-603-7   | Shoe               |



# O.C.C. REPLACEMENT PARTS FOR CUTLER HAMMER



## No. 505 16" D-C Magnetic Brake

| ITM     | OEM PART  | DESCRIPTION               | ITM     | OEM PART   | DESCRIPTION           |
|---------|-----------|---------------------------|---------|------------|-----------------------|
| 1.....  | 15-681    | Nut (Huglock)             | 20..... | 99-2059    | Retro-Fit Kit         |
| 2.....  | 16-1598-3 | Spherical Washer          | 21..... | 19-972-8   | Stop Block            |
| 3.....  | 69-2225   | Compression Spring        | 22..... | 19-972-9   | Stop Plate .093 Thick |
| 4.....  | 13-3186-7 | Spring Pin                | 22..... | 19-972-18  | Stop Plate .105 Thick |
| 5.....  | 61-912    | Pull Rod                  | 22..... | 19-1688-5  | Stop Plate .102 Thick |
| 6.....  | 69-942    | Spring                    | 23..... | 32-50-11   | Felt                  |
| 7.....  | 54-4020-8 | Wedge Adjustment Assembly | 24..... | 24-2951-9  | Shoe Lever (Inner)    |
| 8.....  | 54-4524   | Adjusting Wedge           | 25..... | 17-8050    | Base                  |
| 9.....  | 48-555-5  | Armature (Inner)          | 27..... | 11-2051    | Screw                 |
| 10..... | 13-3978   | Pin (For Pull Rod)        | 28..... | 79-4180-27 | Locking Bracket       |
| 11..... | 48-555-6  | Armature (Outer)          | 29..... | 55-1551    | Retainer              |
| 12..... | 73-1017-4 | Rubber Guard              | 30..... | 32-467-4   | Dacron Felt           |
| 13..... | 13-3186-9 | Spring Pin                | 31..... | 24-2950-3  | Shoe Lever (Outer)    |
| 14..... | 11-1746-4 | Adjusting Screw Assembly  | 32..... | 48-338-12  | Lining                |
| 15..... | 49-2036   | Gland                     | 33..... | 55-1079    | Clamp                 |
| 16..... | 69-1554   | Compression Spring        | 34..... | 11-1787    | Cap Screw             |
| 17..... |           | Coil                      | 35..... | 69-1976    | Lock Spring           |
| 18..... | 19-1164-2 | Lock Strip                | 36..... | 48-554-3   | Shoe                  |
| 19..... | 19-1164   | Lock Strip                |         |            |                       |

This document utilizes an interactive table of contents to help you jump from one section to another. Click the button to return to the table of contents.

**RETURN TO  
TABLE OF CONTENTS**

### SAFETY LIMIT STOPS

### BRAKES

- No. 503 8" TYPE "M" BRAKE
- No. 503 10" TYPE "M" BRAKE
- No. 503 14" TYPE "M" BRAKE
- No. 503 18" TYPE "M" BRAKE
- No. 503 21" TYPE "M" BRAKE
- No. 503 24" TYPE "M" BRAKE
- No. 503 30" TYPE "M" BRAKE
- No. 505 8" D--C MAGNETIC BRAKE
- No. 505 10" D--C MAGNETIC BRAKE
- No. 505 13" D--C MAGNETIC BRAKE
- No. 505 16" D--C MAGNETIC BRAKE
- No. 505 19" D--C MAGNETIC BRAKE
- No. 505 23" D--C MAGNETIC BRAKE
- No. 505 30" D--C MAGNETIC BRAKE

### CONTACTORS

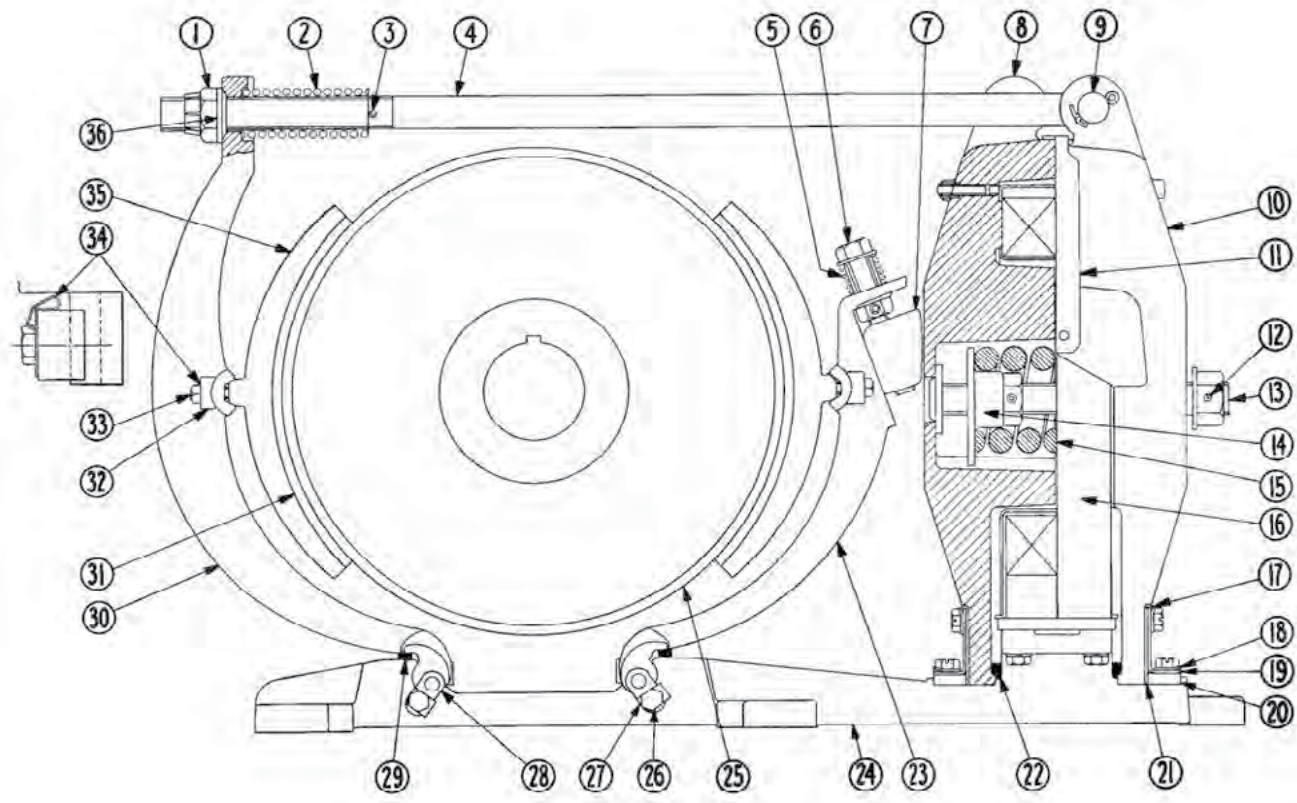
### INDEX



# O.C.C. REPLACEMENT PARTS FOR CUTLER HAMMER

This document utilizes an interactive table of contents to help you jump from one section to another. Click the button to return to the table of contents.

**RETURN TO TABLE OF CONTENTS**



## No. 505 19" D-C Magnetic Brake

### SAFETY LIMIT STOPS

### BRAKES

- No. 503 8" TYPE "M" BRAKE
- No. 503 10" TYPE "M" BRAKE
- No. 503 14" TYPE "M" BRAKE
- No. 503 18" TYPE "M" BRAKE
- No. 503 21" TYPE "M" BRAKE
- No. 503 24" TYPE "M" BRAKE
- No. 503 30" TYPE "M" BRAKE
- No. 505 8" D--C MAGNETIC BRAKE
- No. 505 10" D--C MAGNETIC BRAKE
- No. 505 13" D--C MAGNETIC BRAKE
- No. 505 16" D--C MAGNETIC BRAKE
- No. 505 19" D--C MAGNETIC BRAKE
- No. 505 23" D--C MAGNETIC BRAKE
- No. 505 30" D--C MAGNETIC BRAKE

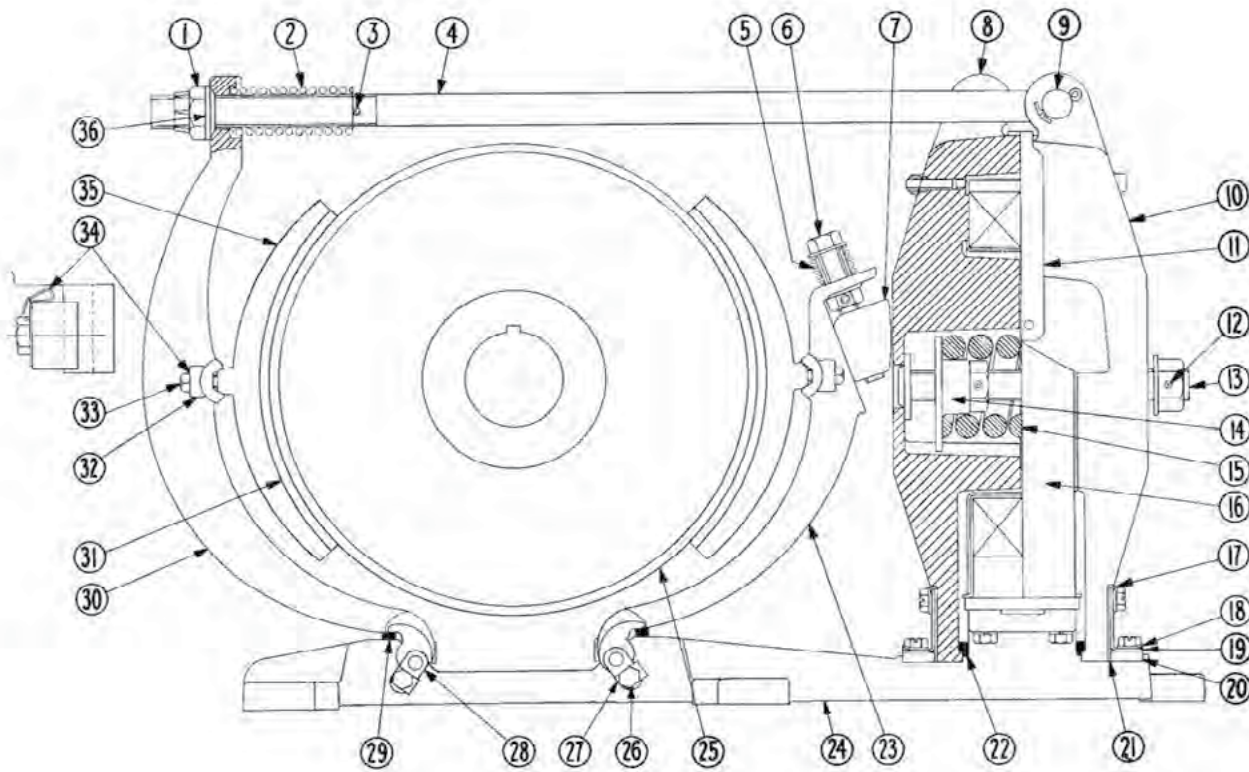
### CONTACTORS

### INDEX

| ITM     | OEM PART   | DESCRIPTION               | ITM     | OEM PART   | DESCRIPTION           |
|---------|------------|---------------------------|---------|------------|-----------------------|
| 1.....  | 15-682     | Nut (Huglock)             | 20..... | 19-972-4   | Stop Block            |
| 2.....  | 69-2226    | Compression Spring        | 21..... | 19-972-16  | Stop Plate .105 Thick |
| 3.....  | 13-3186-13 | Spring Pin                | 21..... | 19-1688-3  | Stop Plate .102 Thick |
| 4.....  | 61-994-4   | Pull Rod                  | 21..... | 19-972-5   | Stop Plate .093 Thick |
| 5.....  | 69-1470    | Spring                    | 22..... | 32-50-12   | Felt                  |
| 6.....  | 54-4020-4  | Wedge Adjustment Assembly | 23..... | 24-3262-5  | Shoe Lever (Inner)    |
| 7.....  | 54-2764    | Adjusting Wedge           | 24..... | 17-8050-2  | Base                  |
| 8.....  | 48-612-4   | Armature (Inner)          | 26..... | 11-2051    | Screw                 |
| 9.....  | 13-1181-11 | Pin                       | 27..... | 79-4180-27 | Locking Bracket       |
| 10..... | 48-612-5   | Armature (Outer)          | 28..... | 55-1551    | Retainer              |
| 11..... | 73-1017-5  | Rubber Guard              | 29..... | 32-467-5   | Dacron Felt           |
| 12..... | 13-3186-12 | Spring Pin                | 30..... | 24-3263-4  | Shoe Lever (Outer)    |
| 13..... | 11-1746-5  | Adjusting Screw Assembly  | 31..... | 48-338-21  | Shoe Lining           |
| 14..... | 49-2172-2  | Gland                     | 32..... | 55-1079    | Clamp                 |
| 15..... | 69-1664    | Compression Spring        | 33..... | 11-1787    | Cap Screw             |
| 16..... |            | Coil                      | 34..... | 69-1976    | Lock Spring           |
| 17..... | 19-982-24  | Lock Strip                | 35..... | 48-611     | Shoe, Complete        |
| 18..... | 19-982-23  | Lock Strip                | 36..... | 16-1598-4  | Washer                |
| 19..... | 99-2059-2  | Retro-Fit Kit             |         |            |                       |

This document utilizes an interactive table of contents to help you jump from one section to another. Click the button to return to the table of contents.

**RETURN TO  
TABLE OF CONTENTS**



**No. 505 23" D-C Magnetic Brake**

| ITM     | OEM PART   | DESCRIPTION               | ITM     | OEM PART   | DESCRIPTION           |
|---------|------------|---------------------------|---------|------------|-----------------------|
| 1.....  | 15-673     | Nut (Huglock)             | 20..... | 19-972-6   | Stop Block            |
| 2.....  | 69-1987    | Compression Spring        | 21..... | 19-1688-4  | Stop Plate .102 Thick |
| 3.....  | 13-3186-13 | Spring Pin                | 21..... | 19-972-7   | Stop Plate .093 Thick |
| 4.....  | 61-1008    | Pull Rod                  | 21..... | 19-972-17  | Stop Plate .105 Thick |
| 5.....  | 69-1470    | Spring                    | 22..... | 32-50-13   | Felt                  |
| 6.....  | 54-4020-5  | Wedge Adjustment Complete | 23..... | 24-3304-5  | Shoe Lever (Inner)    |
| 7.....  | 54-2764    | Adjusting Wedge           | 24..... | 17-8047    | Base                  |
| 8.....  | 48-636-4   | Armature (Inner)          | 26..... | 11-2051-2  | Screw                 |
| 9.....  | 13-1181-16 | Pin                       | 27..... | 79-4180-28 | Locking Bracket       |
| 10..... | 48-636-5   | Armature (Outer)          | 28..... | 55-1548    | Plate                 |
| 11..... | 73-1017-6  | Rubber Guard              | 29..... | 32-467-6   | Dacron Felt           |
| 12..... | 13-3186-12 | Spring Pin                | 30..... | 24-3305-4  | Shoe Lever (Outer)    |
| 13..... | 11-1746-6  | Adjusting Screw Complete  | 31..... | 48-338-23  | Shoe Lining           |
| 14..... | 49-2201-2  | Gland                     | 32..... | 55-1039    | Clamp                 |
| 15..... | 69-1692    | Compression Spring        | 33..... | 11-1786    | Cap Screw             |
| 16..... |            | Coil                      | 34..... | 69-1977    | Lock Spring           |
| 17..... | 19-982-28  | Locking Strip             | 35..... | 48-633-4   | Shoe Complete         |
| 18..... | 19-982-29  | Locking Strip             | 36..... | 16-1598-5  | Washer                |
| 19..... | 99-2059-3  | Retro-Fit Kit             |         |            |                       |

*SAFETY LIMIT STOPS*

*BRAKES*

- No. 503 8" TYPE "M" BRAKE
- No. 503 10" TYPE "M" BRAKE
- No. 503 14" TYPE "M" BRAKE
- No. 503 18" TYPE "M" BRAKE
- No. 503 21" TYPE "M" BRAKE
- No. 503 24" TYPE "M" BRAKE
- No. 503 30" TYPE "M" BRAKE
- No. 505 8" D--C MAGNETIC BRAKE
- No. 505 10" D--C MAGNETIC BRAKE
- No. 505 13" D--C MAGNETIC BRAKE
- No. 505 16" D--C MAGNETIC BRAKE
- No. 505 19" D--C MAGNETIC BRAKE
- No. 505 23" D--C MAGNETIC BRAKE
- No. 505 30" D--C MAGNETIC BRAKE

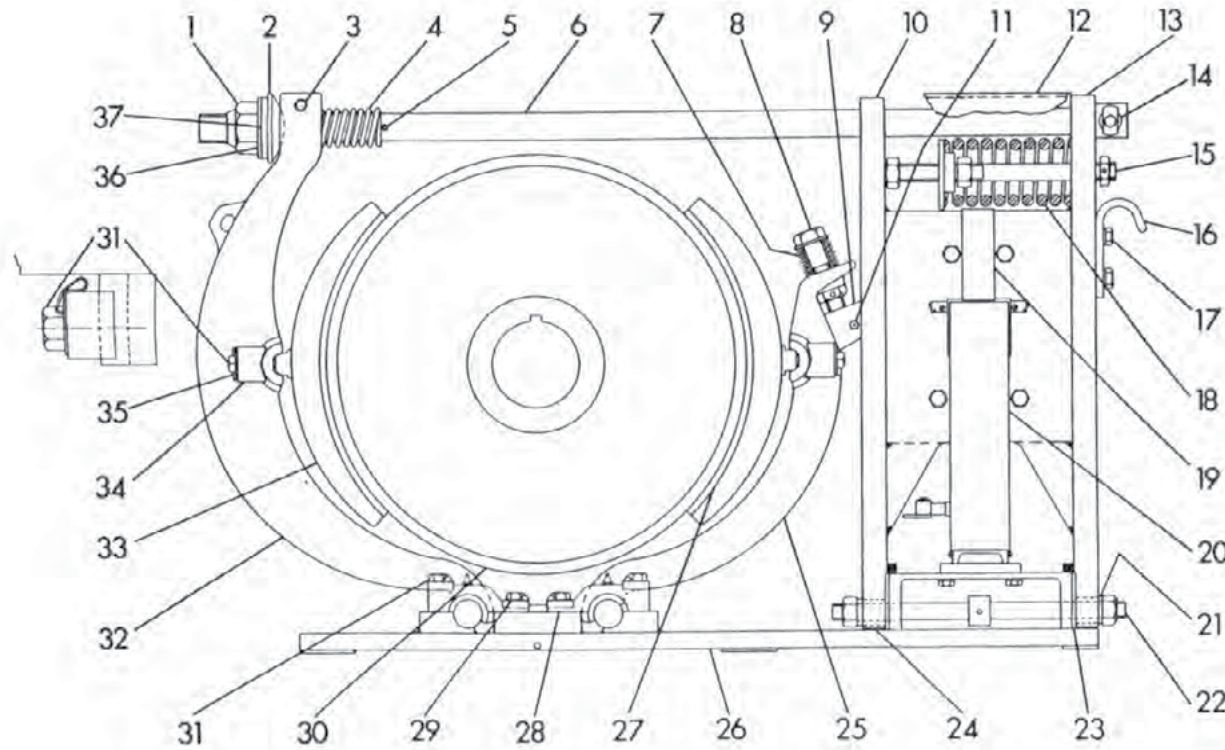
*CONTACTORS*

*INDEX*

# O.C.C. REPLACEMENT PARTS FOR CUTLER HAMMER

This document utilizes an interactive table of contents to help you jump from one section to another. Click the button to return to the table of contents.

**RETURN TO TABLE OF CONTENTS**



## No. 505 30" D-C Magnetic Brake

### SAFETY LIMIT STOPS

#### BRAKES

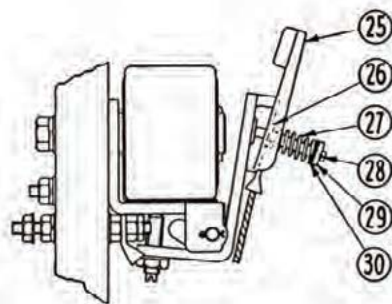
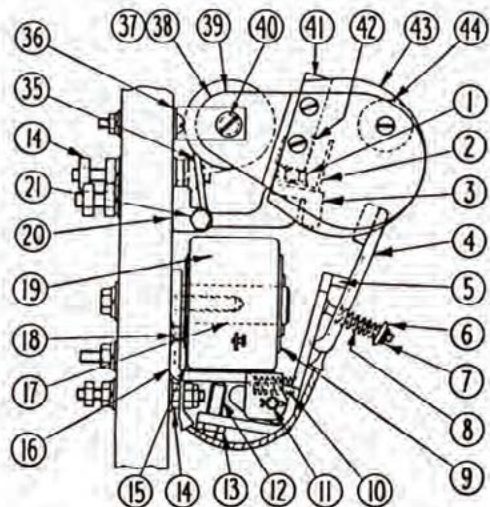
- No. 503 8" TYPE "M" BRAKE
- No. 503 10" TYPE "M" BRAKE
- No. 503 14" TYPE "M" BRAKE
- No. 503 18" TYPE "M" BRAKE
- No. 503 21" TYPE "M" BRAKE
- No. 503 24" TYPE "M" BRAKE
- No. 503 30" TYPE "M" BRAKE
- No. 505 8" D--C MAGNETIC BRAKE
- No. 505 10" D--C MAGNETIC BRAKE
- No. 505 13" D--C MAGNETIC BRAKE
- No. 505 16" D--C MAGNETIC BRAKE
- No. 505 19" D--C MAGNETIC BRAKE
- No. 505 23" D--C MAGNETIC BRAKE
- No. 505 30" D--C MAGNETIC BRAKE

#### CONTACTORS

#### INDEX

| ITM     | OEM PART   | DESCRIPTION              | ITM     | OEM PART   | DESCRIPTION        |
|---------|------------|--------------------------|---------|------------|--------------------|
| 1.....  | 15-958     | Huglock Nut              | 18..... | 69-2090    | Compression Spring |
| 2.....  | 16-1981    | Washer                   | 19..... | 73-1210    | Guard              |
| 3.....  | 11-1908    | Hex Head Screw           | 20..... |            | Coil               |
| 3.....  | 15-610     | Locknut                  | 21..... | 16-1747    | Spring Plate       |
| 4.....  | 69-2091    | Compression Spring       | 22..... | 14-527     | Stud               |
| 5.....  | 13-3186-21 | Spring Pin               | 23..... | 18-59-9    | Shim               |
| 6.....  | 61-1869    | Pull Rod                 | 23..... | 18-59-5    | Strap              |
| 7.....  | 69-1931    | Spring                   | 24..... | 29-2779-5  | Bushing            |
| 8.....  | 54-4020-6  | Wedge Adjusting Screw    | 25..... | 24-4113    | Inner Shoe Lever   |
| 9.....  | 54-4986    | Adjusting Wedge          | 26..... | 17-7102    | Base               |
| 10..... | 48-896     | Magnet Armature (Inner)  | 27..... | 48-338-25  | Shoe Lining        |
| 11..... | 27-82      | Grease Fitting           | 28..... | 20-1067    | Bearing Cap        |
| 12..... | 47-11498   | Cover                    | 29..... | 79-4180-18 | Lock Bracket       |
| 13..... | 48-1260    | Magnet Armature (Outer)  | 29..... | 11-2060    | Hex Head Screw     |
| 14..... | 13-5065    | Pin                      | 31..... | 11-2061    | Hex Head Screw     |
| 14..... | 18-1962    | Stop Plate               | 32..... | 24-4112    | Outer Shoe Lever   |
| 14..... | 911-5888Z  | Screw                    | 33..... | 48-830     | Shoe Complete      |
| 15..... | 11-2844    | Adjusting Screw Assembly | 34..... | 55-1352    | Clamp              |
| 16..... | 52-1079    | Hook                     | 35..... | 69-2092    | Locking Spring     |
| 17..... | 11-327     | Hex Head Screw           | 36..... | 16-1982    | Washer             |
| 17..... | 916-199    | Lockwasher               | 37..... | 16-1983    | Fabreka Washer     |





### No. 369 DC Contactor

| ITM     | OEM PART       | DESCRIPTION                   | ITM     | OEM PART        | DESCRIPTION                |
|---------|----------------|-------------------------------|---------|-----------------|----------------------------|
| 1.....  | 911-5446Z..... | Screw                         | 19..... |                 | Coil                       |
| 2.....  | 4221-7.....    | Arc Guard                     | 20..... | 18-528-2.....   | Contact Post               |
| 3.....  | 23-3286.....   | Contact                       | 21..... | 911-5445Z.....  | Long Hex. Screw            |
| 3.....  | 23-1258.....   | Contact (Silver Faced)        | 21..... | 916-641Z.....   | Washer                     |
| 4.....  | 40-522.....    | Contact Finger (Silver Faced) | 25..... | 40-522-4.....   | Contact Finger w/Connector |
| 5.....  | 24-3107.....   | Armature Lever Assembly       | 26..... | 49-1204-13..... | Spring Gland               |
| 6.....  | 916-2641Z..... | Cup Washer                    | 27..... | 69-1663.....    | Spring                     |
| 7.....  | 16-139.....    | Shim Washer                   | 28..... | 13-1079-29..... | Pin                        |
| 8.....  | 69-95.....     | Spring                        | 29..... | 49-2171.....    | Spring Gland               |
| 9.....  | 4416-134.....  | Washer                        | 30..... | 16-626.....     | Shim Washer                |
| 10..... | 69-179.....    | Spring                        | 35..... |                 | Coil                       |
| 11..... | 956-343.....   | Shaft                         | 36..... | 79-418.....     | Bracket                    |
| 12..... | 711-6.....     | Adjusting Screw               | 37..... | 662-159.....    | Arc Chute Assembly         |
| 13..... | 915-113.....   | Nut                           | 38..... | 62-20-3.....    | Mill Type B/O Complete     |
| 14..... | 814-491.....   | Stud 3/4" and 1" Panel        | 39..... | 962-54.....     | Pole Piece                 |
| 15..... | 56-1228.....   | Insulator                     | 40..... | 929-992.....    | Spacer                     |
| 16..... | 649-375.....   | Magnet Frame 3/4" & 1" Panel  | 41..... | 2222-402.....   | Spacer                     |
| 17..... | 51-64.....     | Core                          | 42..... | 23-3311-3.....  | Protecting Clip            |
| 18..... | 69-2312.....   | Spring                        | 43..... | 4973-5.....     | Arc Shield                 |
|         |                |                               | 44..... | 2222-483.....   | Spacer                     |

This document utilizes an interactive table of contents to help you jump from one section to another. Click the button to return to the table of contents.

**RETURN TO  
TABLE OF CONTENTS**

*SAFETY LIMIT STOPS*

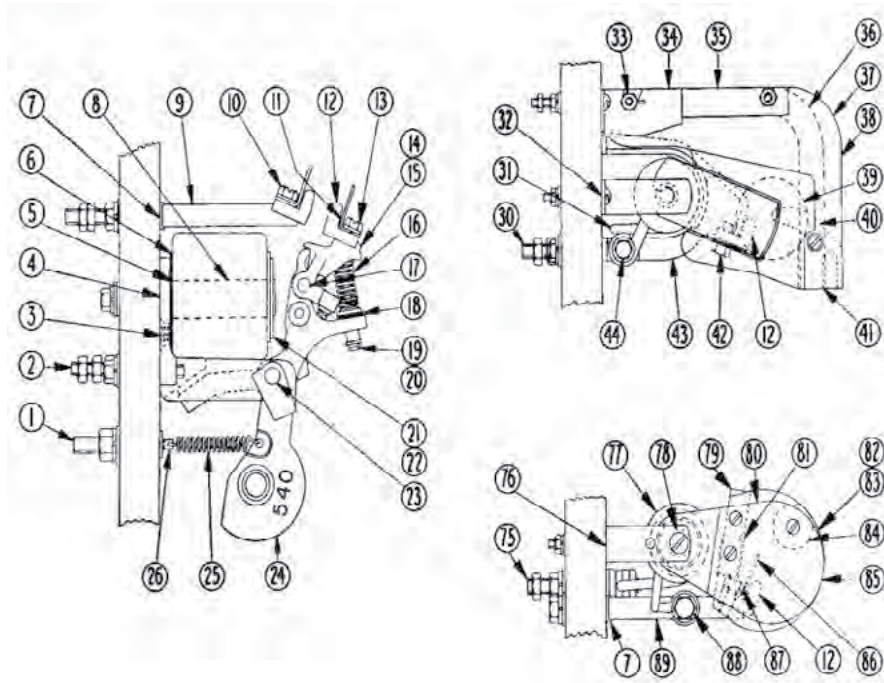
*BRAKES*

*CONTACTORS*

- No. 369 DC CONTACTOR
- No. 540 100 AMP D-C CONTACTOR
- No. 542 300 AMP D-C CONTACTOR
- No. 545 600 AMP D-C CONTACTOR
- No. 560 100 AMP SPRING CLOSED D-C CONTACTOR
- No. 562 300 AMP SPRING CLOSED D-C CONTACTOR
- No. 565 600 AMP SPRING CLOSED D-C CONTACTOR
- No. 570 100 AMP D-C CONTACTOR
- No. 572 300 AMP D-C CONTACTOR
- No. 575 600 AMP D-C CONTACTOR
- No. 580 100 AMP DOUBLE POLE D-C CONTACTOR
- No. 582 300 AMP DOUBLE POLE D-C CONTACTOR
- No. 590 100 AMP DOUBLE POLE D-C CONTACTOR
- No. 912 50 AMP SINGLE POLE D-C CONTACTOR
- No. 913 100 AMP SINGLE POLE D-C CONTACTOR
- No. 914 150 AMP SINGLE POLE D-C CONTACTOR
- No. 915 300 AMP SINGLE POLE D-C CONTACTOR
- No. 916 600 AMP SINGLE POLE D-C CONTACTOR
- No. 920 810 AMP SINGLE POLE D-C CONTACTOR
- No. 921 810 AMP D-C Lti CONTACTOR
- No. 923 100 AMP SPRING CLOSED D-C CONTACTOR
- No. 924 150 AMP SPRING CLOSED D-C CONTACTOR
- No. 925 300 AMP SPRING CLOSED D-C CONTACTOR
- No. 926 600 AMP SPRING CLOSED D-C CONTACTOR
- No. 932 50 AMP SINGLE POLE D-C Lti CONTACTOR
- No. 933 100 AMP D-C Lti CONTACTOR
- No. 934 150 AMP SINGLE POLE D-C Lti CONTACTOR
- No. 935 300 AMP D-C Lti CONTACTOR
- No. 936 600 AMP SINGLE POLE D-C Lti CONTACTOR
- No. 944 150 AMP TWO-POLE D-C Lti CONTACTOR
- No. 945 300 AMP TWO-POLE D-C Lti CONTACTOR
- No. 952 50 AMP DOUBLE POLE D-C Lti CONTACTOR
- No. 954 150 AMP DOUBLE POLE D-C Lti CONTACTOR
- No. 955 300 AMP TWO-POLE D-C Lti CONTACTOR

*INDEX*

This document utilizes an interactive table of contents to help you jump from one section to another. Click the button to return to the table of contents.



## No. 540 100 Amp D-C Contactor

| ITM     | OEM PART        | DESCRIPTION               | ITM     | OEM PART       | DESCRIPTION                 |
|---------|-----------------|---------------------------|---------|----------------|-----------------------------|
| 1.....  | 11-1028.....    | Screw For 3/4" Panel      | 25..... | 69-998.....    | Spring                      |
| 2.....  | 814-266.....    | Stud For 3/4" Panel       | 26..... | 14-143.....    | Adjusting Stud              |
| 3.....  | 69-2312.....    | Spring                    | 27..... | 6-168-12.....  | Set of Contacts             |
| 4.....  | 17-207-6.....   | Magnet Frame              | 30..... | 814-266.....   | Stud For 3/4" Panel         |
| 5.....  |                 | Coil                      | 31..... |                | Blowout Coil                |
| 6.....  | 16-1551-3.....  | Neoprene Washer           | 32..... | 79-845.....    | Support                     |
| 6.....  | 16-1552.....    | Steel Washer              | 33..... | 14-359-2.....  | Stud                        |
| 7.....  | 933-242Z1.....  | Locking Clip              | 35..... | 17-1523.....   | Side Plate                  |
| 8.....  | 51-177.....     | Coil Core                 | 36..... | 25-812.....    | Connector                   |
| 9.....  | 618-407.....    | Contact Support Complete  | 38..... | 62-121.....    | Arc Shield, Complete        |
| 10..... | 911-5445FZ..... | Contact Screw             | 39..... | 73-242.....    | Arc Shield                  |
| 11..... | 49-240.....     | Arc Guard                 | 40..... | 62-100.....    | Arc Horn                    |
| 12..... | 23-812.....     | Contact, Silver Tipped    | 41..... | 62-86-7.....   | Blowout Complete 3/4" Panel |
| 12..... | 23-3514.....    | Contact                   | 43..... | 18-739.....    | Contact Support Complete    |
| 13..... | 911-5447FZ..... | Contact Screw             | 75..... | 814-266.....   | Stud For 3/4" Panel         |
| 14..... | 24-1321-2.....  | Contact Lever w/Connector | 76..... | 879-107.....   | Support                     |
| 15..... | 24-792.....     | Contact Lever Complete    | 77..... |                | Blowout Coil                |
| 16..... | 69-2375.....    | Spring                    | 78..... | 929-992.....   | Spacer                      |
| 17..... | 13-4634.....    | Pin                       | 79..... | 2222-402.....  | Spacer                      |
| 18..... | 16-320.....     | Washer .016 Thick         | 80..... | 962-54.....    | Pole Piece                  |
| 19..... | 13-591.....     | Adjusting Pin             | 81..... | 23-3311-3..... | Protecting Clip             |
| 20..... | 29-531.....     | Retaining Ring            | 82..... | 4973-5.....    | Arc Shield                  |
| 21..... | 16-391.....     | Brass Washer              | 83..... | 662-159.....   | Arc Shield Complete         |
| 22..... | 16-390.....     | Bakelite Washer           | 84..... | 56-1288-8..... | Spacer                      |
| 23..... | 13-163.....     | Shaft                     | 86..... | 49-239.....    | Arc Guard                   |
| 24..... | 624-649.....    | Armature Lever            | 89..... | 618-401.....   | Contact Support Complete    |

**RETURN TO  
TABLE OF CONTENTS**

### SAFETY LIMIT STOPS

### BRAKES

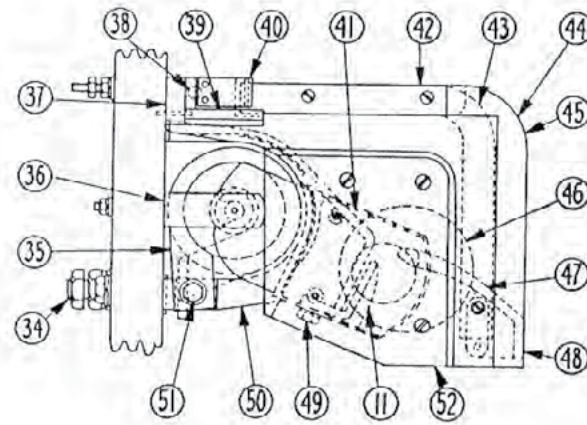
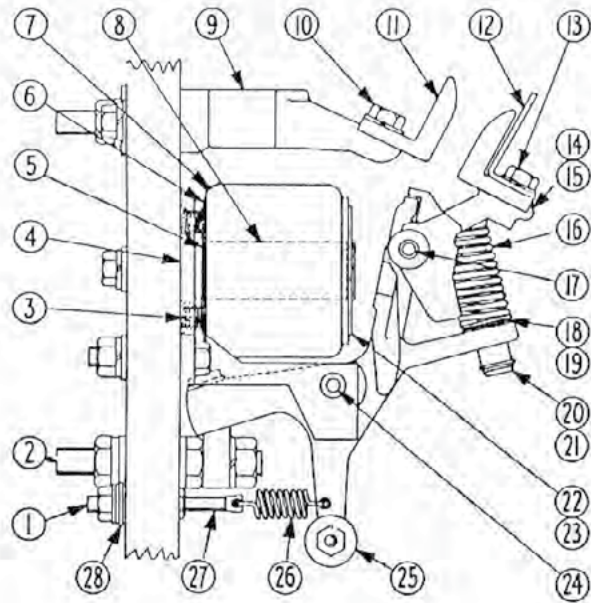
### CONTACTORS

- No. 369 DC CONTACTOR
- No. 540 100 AMP D-C CONTACTOR
- No. 542 300 AMP D-C CONTACTOR
- No. 545 600 AMP D-C CONTACTOR
- No. 560 100 AMP SPRING CLOSED D-C CONTACTOR
- No. 562 300 AMP SPRING CLOSED D-C CONTACTOR
- No. 565 600 AMP SPRING CLOSED D-C CONTACTOR
- No. 570 100 AMP D-C CONTACTOR
- No. 572 300 AMP D-C CONTACTOR
- No. 575 600 AMP D-C CONTACTOR
- No. 580 100 AMP DOUBLE POLE D-C CONTACTOR
- No. 582 300 AMP DOUBLE POLE D-C CONTACTOR
- No. 590 100 AMP DOUBLE POLE D-C CONTACTOR
- No. 912 50 AMP SINGLE POLE D-C CONTACTOR
- No. 913 100 AMP SINGLE POLE D-C CONTACTOR
- No. 914 150 AMP SINGLE POLE D-C CONTACTOR
- No. 915 300 AMP SINGLE POLE D-C CONTACTOR
- No. 916 600 AMP SINGLE POLE D-C CONTACTOR
- No. 920 810 AMP SINGLE POLE D-C CONTACTOR
- No. 921 810 AMP D-C Lti CONTACTOR
- No. 923 100 AMP SPRING CLOSED D-C CONTACTOR
- No. 924 150 AMP SPRING CLOSED D-C CONTACTOR
- No. 925 300 AMP SPRING CLOSED D-C CONTACTOR
- No. 926 600 AMP SPRING CLOSED D-C CONTACTOR
- No. 932 50 AMP SINGLE POLE D-C Lti CONTACTOR
- No. 933 100 AMP D-C Lti CONTACTOR
- No. 934 150 AMP SINGLE POLE D-C Lti CONTACTOR
- No. 935 300 AMP D-C Lti CONTACTOR
- No. 936 600 AMP SINGLE POLE D-C Lti CONTACTOR
- No. 944 150 AMP TWO-POLE D-C Lti CONTACTOR
- No. 945 300 AMP TWO-POLE D-C Lti CONTACTOR
- No. 952 50 AMP DOUBLE POLE D-C Lti CONTACTOR
- No. 954 150 AMP DOUBLE POLE D-C Lti CONTACTOR
- No. 955 300 AMP TWO-POLE D-C Lti CONTACTOR



This document utilizes an interactive table of contents to help you jump from one section to another. Click the button to return to the table of contents.

**RETURN TO TABLE OF CONTENTS**



## No. 542 300 Amp D-C Contactor

| ITM     | OEM PART  | DESCRIPTION                  | ITM     | OEM PART  | DESCRIPTION              |
|---------|-----------|------------------------------|---------|-----------|--------------------------|
| 1.....  | 11-1028-3 | Screw                        | 27..... | 14-541    | Adjusting Stud           |
| 3.....  | 69-2441   | Spring                       | 28..... | 4416-841  | Insulating Washer        |
| 4.....  | 17-207-15 | Magnet Frame                 | 29..... | 6-168-10  | Contact Set              |
| 5.....  | 916-2882Z | Steel Washer                 | 35..... | 9-460-162 | Blowout Coil             |
| 6.....  | 16-1551-2 | Neoprene Washer              | 36..... | 79-888    | Support                  |
| 7.....  |           | Coil                         | 37..... | 17-2294   | Base                     |
| 8.....  | 51-92     | Coil Core                    | 38..... | 11-1249   | Screw                    |
| 9.....  | 79-124-4  | Contact Support Complete     | 39..... | 17-2292   | Base L.H.                |
| 10..... | 911-373   | Long Hex Screw               | 39..... | 17-2291   | Base R.H.                |
| 11..... | 23-435    | Contact                      | 40..... | 79-1677   | Bracket                  |
| 12..... | 49-99     | Arc Guard                    | 41..... | 62-208    | Pole Piece               |
| 14..... | 24-196-2  | Contact Lever                | 42..... | 17-2293   | Side Plate               |
| 15..... | 24-196-5  | Contact Lever w/o Arc Guard  | 43..... | 25-990    | Connector                |
| 15..... | 24-196-15 | Contact Lever with Arc Guard | 44..... | 62-233    | Arc Shield Complete      |
| 16..... | 69-58     | Spring                       | 45..... | 73-865    | Arc Shield L.H.          |
| 17..... | 13-84     | Pin                          | 45..... | 73-864    | Arc Shield R.H.          |
| 18..... | 916-1164Z | Shim Washer .016 Thick       | 46..... | 73-374    | Arc Shield               |
| 19..... | 16-319    | Shim Washer .032 Thick       | 47..... | 62-93     | Arc Horn                 |
| 20..... | 13-587    | Adjusting Pin                | 49..... | 911-5646Z | Contact Mounting Screw   |
| 21..... | 29-541    | Spring Ring                  | 50..... | 62-234-6  | Contact Support Complete |
| 22..... | 16-252    | Brass Washer                 | 52..... | 79-4288   | Support Plate            |
| 23..... | 16-253    | Brakelite Washer             | *       | 62-234    | D-c Blowout Complete     |
| 24..... | 13-170    | Shaft                        | *       | 62-234-2  | D-c Blowout Complete     |
| 25..... | 24-215    | Armature Lever               | *       | 62-234-3  | D-c Blowout Complete     |
| 26..... | 969-887J  | Spring                       | *       | 62-234-4  | D-c Blowout Complete     |

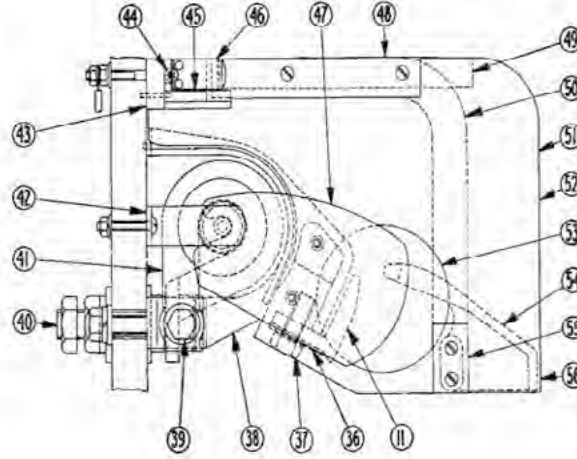
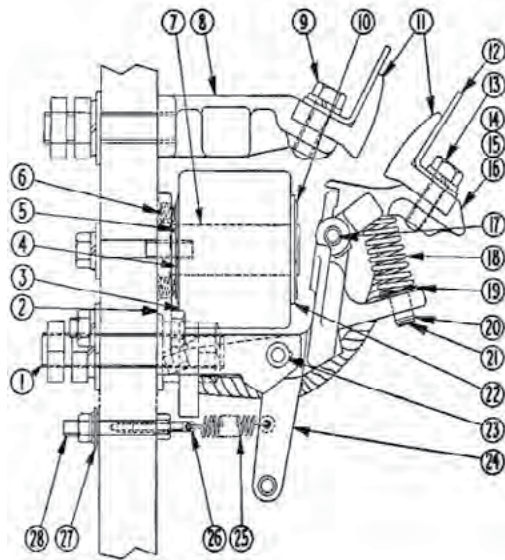
### SAFETY LIMIT STOPS

### BRAKES

### CONTACTORS

- No. 369 DC CONTACTOR
- No. 540 100 AMP D-C CONTACTOR
- No. 542 300 AMP D-C CONTACTOR
- No. 545 600 AMP D-C CONTACTOR
- No. 560 100 AMP SPRING CLOSED D-C CONTACTOR
- No. 562 300 AMP SPRING CLOSED D-C CONTACTOR
- No. 565 600 AMP SPRING CLOSED D-C CONTACTOR
- No. 570 100 AMP D-C CONTACTOR
- No. 572 300 AMP D-C CONTACTOR
- No. 575 600 AMP D-C CONTACTOR
- No. 580 100 AMP DOUBLE POLE D-C CONTACTOR
- No. 582 300 AMP DOUBLE POLE D-C CONTACTOR
- No. 590 100 AMP DOUBLE POLE D-C CONTACTOR
- No. 912 50 AMP SINGLE POLE D-C CONTACTOR
- No. 913 100 AMP SINGLE POLE D-C CONTACTOR
- No. 914 150 AMP SINGLE POLE D-C CONTACTOR
- No. 915 300 AMP SINGLE POLE D-C CONTACTOR
- No. 916 600 AMP SINGLE POLE D-C CONTACTOR
- No. 920 810 AMP SINGLE POLE D-C CONTACTOR
- No. 921 810 AMP D-C Lti CONTACTOR
- No. 923 100 AMP SPRING CLOSED D-C CONTACTOR
- No. 924 150 AMP SPRING CLOSED D-C CONTACTOR
- No. 925 300 AMP SPRING CLOSED D-C CONTACTOR
- No. 926 600 AMP SPRING CLOSED D-C CONTACTOR
- No. 932 50 AMP SINGLE POLE D-C Lti CONTACTOR
- No. 933 100 AMP D-C Lti CONTACTOR
- No. 934 150 AMP SINGLE POLE D-C Lti CONTACTOR
- No. 935 300 AMP D-C Lti CONTACTOR
- No. 936 600 AMP SINGLE POLE D-C Lti CONTACTOR
- No. 944 150 AMP TWO-POLE D-C Lti CONTACTOR
- No. 945 300 AMP TWO-POLE D-C Lti CONTACTOR
- No. 952 50 AMP DOUBLE POLE D-C Lti CONTACTOR
- No. 954 150 AMP DOUBLE POLE D-C Lti CONTACTOR
- No. 955 300 AMP TWO-POLE D-C Lti CONTACTOR

This document utilizes an interactive table of contents to help you jump from one section to another. Click the button to return to the table of contents.



## No. 545 600 Amp D-C Contactor

| ITM     | OEM PART  | DESCRIPTION                  | ITM     | OEM PART  | DESCRIPTION              |
|---------|-----------|------------------------------|---------|-----------|--------------------------|
| 1.....  | 1314-100  | Pin for 1" Panel             | 26..... | 14-541    | Adjusting Stud           |
| 2.....  | 17-207-16 | Magnet Frame                 | 27..... | 4416-841  | Insulating Washer        |
| 3.....  |           | Coil                         | 28..... | 11-2212   | Screw                    |
| 4.....  | 16-1551-2 | Neoprene Washer              | 29..... | 6-168-35  | Set of Contacts          |
| 5.....  | 16-1944-2 | Steel Washer                 | 37..... | 911-5890Z | Screw                    |
| 6.....  | 69-2441   | Spring                       | 38..... | 62-236-5  | Contact Support Complete |
| 7.....  | 51-979    | Core                         | 39..... | 911-5890Z | Screw                    |
| 8.....  | 23-1289-3 | Contact Support Complete     | 40..... | 14-256-12 | Stud for 1" Panel        |
| 9.....  | 911-5890Z | Screw                        | 41..... | 9-460-163 | Blowout Coil             |
| 10..... | 16-426    | Brass Washer                 | 42..... | 79-891    | Support                  |
| 11..... | 23-1225   | Contact                      | 43..... | 17-2294   | Base                     |
| 12..... | 73-1268   | Arc Guard                    | 44..... | 11-1249-2 | Screw                    |
| 13..... | 911-5892Z | Contact Screw                | 45..... | 17-2291   | Base R.H.                |
| 14..... | 624-594   | Contact Lever w/Connector    | 45..... | 17-2292   | Base L.H.                |
| 15..... | 24-1330-2 | Contact Lever with Arc Guard | 46..... | 79-1677   | Bracket                  |
| 16..... | 24-1330   | Contact Lever w/o Arc Guard  | 47..... | 62-98     | Pole Piece               |
| 17..... | 13-3961   | Shaft                        | 48..... | 17-2295   | Side Plate               |
| 18..... | 69-2376   | Spring                       | 49..... | 29-1127   | Spacer                   |
| 19..... | 916-1121Z | Washer                       | 50..... | 25-991    | Connector                |
| 20..... | 29-541    | Spring Ring                  | 51..... | 62-235    | Arc Shield Complete      |
| 21..... | 13-593    | Adjusting Pin                | 52..... | 73-268    | Arc Shield (Right Half)  |
| 22..... | 16-253    | Brakelite Washer             | 52..... | 73-267    | Arc Shield (Left Half)   |
| 23..... | 13-164    | Shaft                        | 53..... | 73-243    | Arc Shield               |
| 24..... | 624-592   | Armature Lever               | 54..... | 62-99     | Arc Horn                 |
| 25..... | 969-887J  | Spring                       | 55..... | 17-1250   | Side Plate               |

**RETURN TO TABLE OF CONTENTS**

### SAFETY LIMIT STOPS

### BRAKES

### CONTACTORS

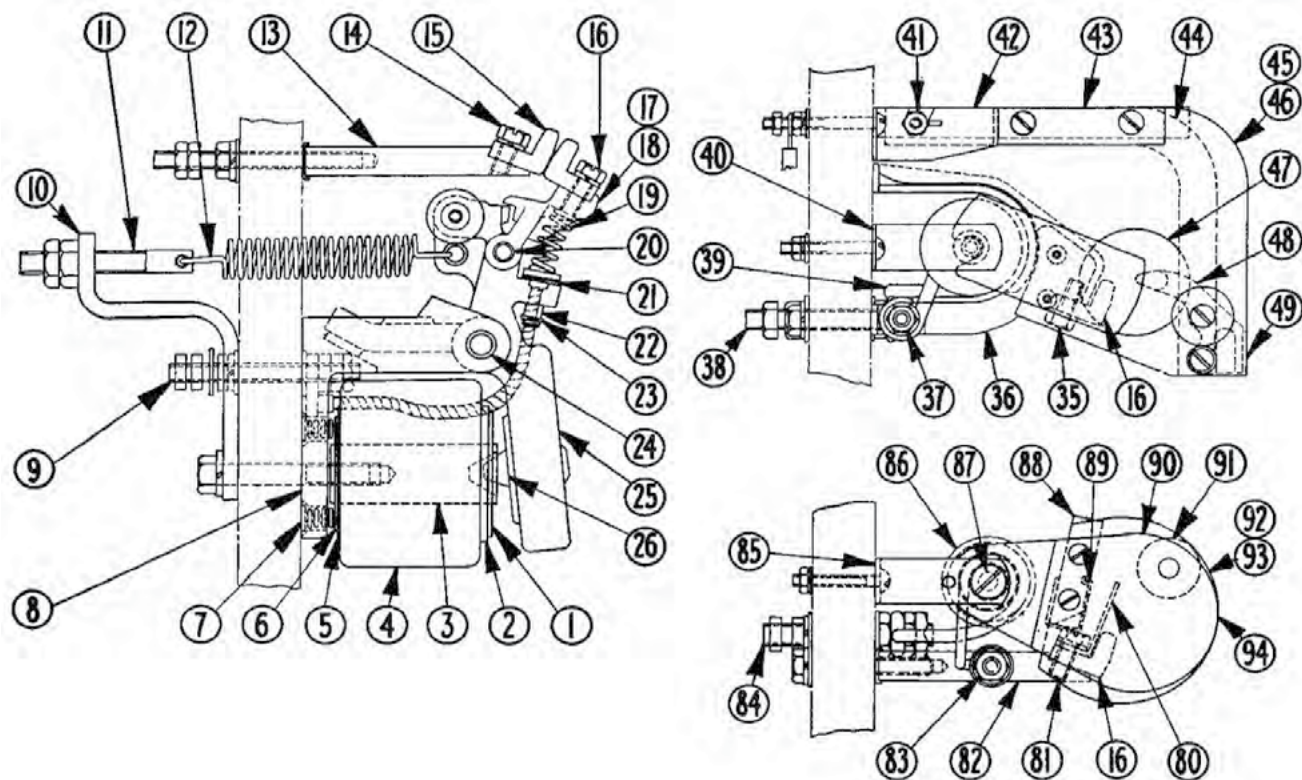
- No. 369 DC CONTACTOR
- No. 540 100 AMP D-C CONTACTOR
- No. 542 300 AMP D-C CONTACTOR
- No. 545 600 AMP D-C CONTACTOR
- No. 560 100 AMP SPRING CLOSED D-C CONTACTOR
- No. 562 300 AMP SPRING CLOSED D-C CONTACTOR
- No. 565 600 AMP SPRING CLOSED D-C CONTACTOR
- No. 570 100 AMP D-C CONTACTOR
- No. 572 300 AMP D-C CONTACTOR
- No. 575 600 AMP D-C CONTACTOR
- No. 580 100 AMP DOUBLE POLE D-C CONTACTOR
- No. 582 300 AMP DOUBLE POLE D-C CONTACTOR
- No. 590 100 AMP DOUBLE POLE D-C CONTACTOR
- No. 912 50 AMP SINGLE POLE D-C CONTACTOR
- No. 913 100 AMP SINGLE POLE D-C CONTACTOR
- No. 914 150 AMP SINGLE POLE D-C CONTACTOR
- No. 915 300 AMP SINGLE POLE D-C CONTACTOR
- No. 916 600 AMP SINGLE POLE D-C CONTACTOR
- No. 920 810 AMP SINGLE POLE D-C CONTACTOR
- No. 921 810 AMP D-C Lti CONTACTOR
- No. 923 100 AMP SPRING CLOSED D-C CONTACTOR
- No. 924 150 AMP SPRING CLOSED D-C CONTACTOR
- No. 925 300 AMP SPRING CLOSED D-C CONTACTOR
- No. 926 600 AMP SPRING CLOSED D-C CONTACTOR
- No. 932 50 AMP SINGLE POLE D-C Lti CONTACTOR
- No. 933 100 AMP D-C Lti CONTACTOR
- No. 934 150 AMP SINGLE POLE D-C Lti CONTACTOR
- No. 935 300 AMP D-C Lti CONTACTOR
- No. 936 600 AMP SINGLE POLE D-C Lti CONTACTOR
- No. 944 150 AMP TWO-POLE D-C Lti CONTACTOR
- No. 945 300 AMP TWO-POLE D-C Lti CONTACTOR
- No. 952 50 AMP DOUBLE POLE D-C Lti CONTACTOR
- No. 954 150 AMP DOUBLE POLE D-C Lti CONTACTOR
- No. 955 300 AMP TWO-POLE D-C Lti CONTACTOR

INDEX



This document utilizes an interactive table of contents to help you jump from one section to another. Click the button to return to the table of contents.

**RETURN TO TABLE OF CONTENTS**



### No. 560 100 Amp Spring Closed D-C Contactor

| ITM     | OEM PART   | DESCRIPTION                    | ITM     | OEM PART   | DESCRIPTION                      |
|---------|------------|--------------------------------|---------|------------|----------------------------------|
| 1.....  | 16-398     | .....Brass Washer              | 26..... | 51-181     | .....Core Plug                   |
| 2.....  | 16-399     | .....Bakelite Washer           | 27..... | 6-168-29   | .....Set of Contacts             |
| 3.....  | 51-182-2   | .....Core                      | 36..... | 18-739     | .....Contact Support Complete    |
| 4.....  |            | .....Coil                      | 38..... | 814-266    | .....Stud For 3/4" Panel         |
| 5.....  | 16-1551-2  | .....Neoprene Washer           | 39..... |            | .....Blowout Coil                |
| 6.....  | 916-2881Z  | .....Steel Washer              | 40..... | 79-845     | .....Support                     |
| 7.....  | 969-1001J  | .....Spring                    | 40..... | 79-845     | .....Support                     |
| 8.....  | 17-207-7   | .....Magnet Frame              | 41..... | 14-359-2   | .....Stud                        |
| 9.....  | 814-565    | .....Stud for 3/4" Panel       | 43..... | 17-1523    | .....Side Plate                  |
| 10..... | 79-866     | .....Bracket                   | 44..... | 25-812     | .....Connector                   |
| 11..... | 914-3568C  | .....Adjusting Stud            | 45..... | 62-121     | .....Arc Shield, Complete        |
| 12..... | 969-196    | .....Spring                    | 48..... | 62-100     | .....Arc Horn                    |
| 13..... | 618-407    | .....Contact Support Complete  | 49..... | 62-86-7    | .....Blowout Complete 3/4" Panel |
| 14..... | 911-5445FZ | .....Contact Screw             | 80..... | 49-239     | .....Arc Guard                   |
| 15..... | 23-812     | .....Contact, Silver Tipped    | 81..... | 911-5445FZ | .....Contact Screw               |
| 15..... | 1321-841   | .....Contact                   | 82..... | 618-401    | .....Contact Support Complete    |
| 16..... | 911-5447FZ | .....Contact Screw             | 84..... | 814-266    | .....Stud For 3/4" Panel         |
| 17..... | 24-1321-6  | .....Contact Lever w/Connector | 85..... | 879-107    | .....Support                     |
| 18..... | 24-792-3   | .....Contact Lever, Complete   | 86..... |            | .....Blowout Coil                |
| 19..... | 969-439    | .....Spring                    | 87..... | 929-992    | .....Spacer                      |
| 20..... | 956-1838   | .....Pin                       | 88..... | 2222-402   | .....Spacer                      |
| 21..... | 16-320     | .....Washer .016 Thick         | 89..... | 933-203Z   | .....Protecting Clip             |
| 22..... | 13-595     | .....Adjusting Pin             | 90..... | 962-54     | .....Pole Piece                  |
| 23..... | 29-531     | .....Retaining Ring            | 91..... | 2222-48    | .....Spacer                      |
| 24..... | 13-716     | .....Shaft                     | 92..... | 4973-5     | .....Arc Shield                  |
| 25..... | 24-1226    | .....Armature Lever            | 93..... | 662-159    | .....Arc Chute Assembly          |

*SAFETY LIMIT STOPS*

*BRAKES*

*CONTACTORS*

- No. 369 DC CONTACTOR
- No. 540 100 AMP D-C CONTACTOR
- No. 542 300 AMP D-C CONTACTOR
- No. 545 600 AMP D-C CONTACTOR
- No. 560 100 AMP SPRING CLOSED D-C CONTACTOR
- No. 562 300 AMP SPRING CLOSED D-C CONTACTOR
- No. 565 600 AMP SPRING CLOSED D-C CONTACTOR
- No. 570 100 AMP D-C CONTACTOR
- No. 572 300 AMP D-C CONTACTOR
- No. 575 600 AMP D-C CONTACTOR
- No. 580 100 AMP DOUBLE POLE D-C CONTACTOR
- No. 582 300 AMP DOUBLE POLE D-C CONTACTOR
- No. 590 100 AMP DOUBLE POLE D-C CONTACTOR
- No. 912 50 AMP SINGLE POLE D-C CONTACTOR
- No. 913 100 AMP SINGLE POLE D-C CONTACTOR
- No. 914 150 AMP SINGLE POLE D-C CONTACTOR
- No. 915 300 AMP SINGLE POLE D-C CONTACTOR
- No. 916 600 AMP SINGLE POLE D-C CONTACTOR
- No. 920 810 AMP SINGLE POLE D-C CONTACTOR
- No. 921 810 AMP D-C Lti CONTACTOR
- No. 923 100 AMP SPRING CLOSED D-C CONTACTOR
- No. 924 150 AMP SPRING CLOSED D-C CONTACTOR
- No. 925 300 AMP SPRING CLOSED D-C CONTACTOR
- No. 926 600 AMP SPRING CLOSED D-C CONTACTOR
- No. 932 50 AMP SINGLE POLE D-C Lti CONTACTOR
- No. 933 100 AMP D-C Lti CONTACTOR
- No. 934 150 AMP SINGLE POLE D-C Lti CONTACTOR
- No. 935 300 AMP D-C Lti CONTACTOR
- No. 936 600 AMP SINGLE POLE D-C Lti CONTACTOR
- No. 944 150 AMP TWO-POLE D-C Lti CONTACTOR
- No. 945 300 AMP TWO-POLE D-C Lti CONTACTOR
- No. 952 50 AMP DOUBLE POLE D-C Lti CONTACTOR
- No. 954 150 AMP DOUBLE POLE D-C Lti CONTACTOR
- No. 955 300 AMP TWO-POLE D-C Lti CONTACTOR

This document utilizes an interactive table of contents to help you jump from one section to another. Click the button to return to the table of contents.

**RETURN TO TABLE OF CONTENTS**

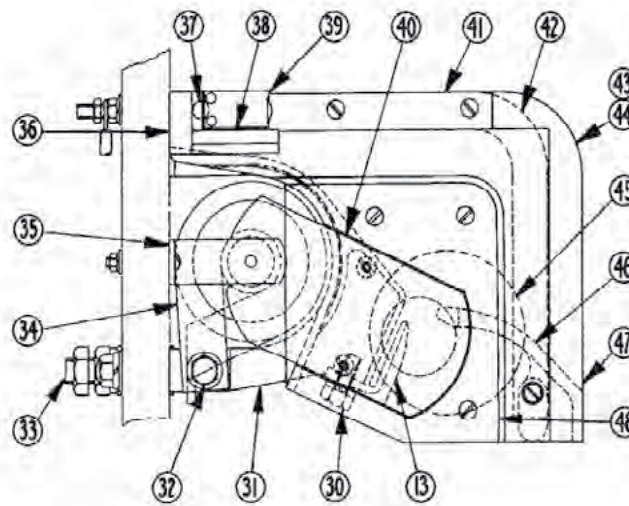
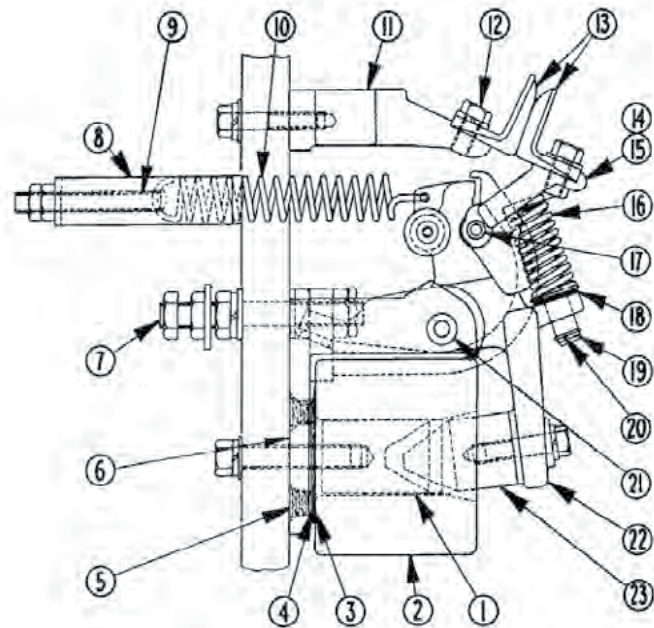
**SAFETY LIMIT STOPS**

**BRAKES**

**CONTACTORS**

- No. 369 DC CONTACTOR
- No. 540 100 AMP D-C CONTACTOR
- No. 542 300 AMP D-C CONTACTOR
- No. 545 600 AMP D-C CONTACTOR
- No. 560 100 AMP SPRING CLOSED D-C CONTACTOR
- No. 562 300 AMP SPRING CLOSED D-C CONTACTOR
- No. 565 600 AMP SPRING CLOSED D-C CONTACTOR
- No. 570 100 AMP D-C CONTACTOR
- No. 572 300 AMP D-C CONTACTOR
- No. 575 600 AMP D-C CONTACTOR
- No. 580 100 AMP DOUBLE POLE D-C CONTACTOR
- No. 582 300 AMP DOUBLE POLE D-C CONTACTOR
- No. 590 100 AMP DOUBLE POLE D-C CONTACTOR
- No. 912 50 AMP SINGLE POLE D-C CONTACTOR
- No. 913 100 AMP SINGLE POLE D-C CONTACTOR
- No. 914 150 AMP SINGLE POLE D-C CONTACTOR
- No. 915 300 AMP SINGLE POLE D-C CONTACTOR
- No. 916 600 AMP SINGLE POLE D-C CONTACTOR
- No. 920 810 AMP SINGLE POLE D-C CONTACTOR
- No. 921 810 AMP D-C Lti CONTACTOR
- No. 923 100 AMP SPRING CLOSED D-C CONTACTOR
- No. 924 150 AMP SPRING CLOSED D-C CONTACTOR
- No. 925 300 AMP SPRING CLOSED D-C CONTACTOR
- No. 926 600 AMP SPRING CLOSED D-C CONTACTOR
- No. 932 50 AMP SINGLE POLE D-C Lti CONTACTOR
- No. 933 100 AMP D-C Lti CONTACTOR
- No. 934 150 AMP SINGLE POLE D-C Lti CONTACTOR
- No. 935 300 AMP D-C Lti CONTACTOR
- No. 936 600 AMP SINGLE POLE D-C Lti CONTACTOR
- No. 944 150 AMP TWO-POLE D-C Lti CONTACTOR
- No. 945 300 AMP TWO-POLE D-C Lti CONTACTOR
- No. 952 50 AMP DOUBLE POLE D-C Lti CONTACTOR
- No. 954 150 AMP DOUBLE POLE D-C Lti CONTACTOR
- No. 955 300 AMP TWO-POLE D-C Lti CONTACTOR

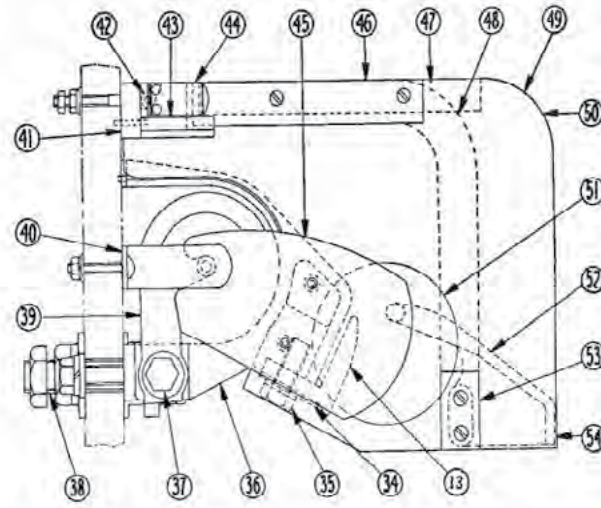
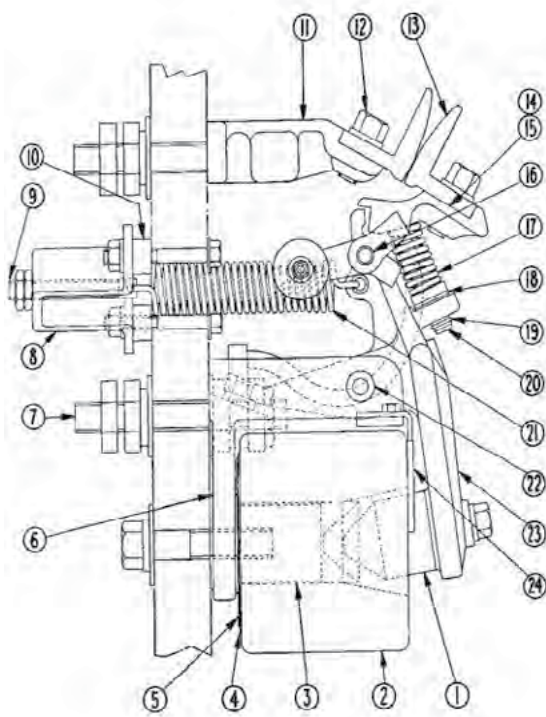
**INDEX**



**No. 562 300 Amp Spring Closed D-C Contactor**

| ITM     | OEM PART  | DESCRIPTION                 | ITM     | OEM PART  | DESCRIPTION              |
|---------|-----------|-----------------------------|---------|-----------|--------------------------|
| 1.....  | 51-335-3  | Core                        | 24..... | 6-168-10  | Contact Set              |
| 2.....  |           | Coil                        | 29..... | 6-168-10  | Contact Set              |
| 3.....  | 16-1551-2 | Neoprene Washer             | 30..... | 911-5646Z | Contact Mounting Screw   |
| 4.....  | 916-2921Z | Steel Washer                | 31..... | 62-234-6  | Contact Support Complete |
| 5.....  | 969-1162  | Spring                      | 32..... | 911-5646Z | Contact Mounting Screw   |
| 6.....  | 17-207-16 | Magnet Frame                | 32..... | 916-882Z  | Washer                   |
| 7.....  | 1314-843  | Copper Stud                 | 33..... | 1314-844  | Stud for 3/4 Panel       |
| 8.....  | 979-807J  | Bracket                     | 34..... | 9-460-162 | Blowout Coil             |
| 9.....  | 914-3568C | Adjusting Stud              | 35..... | 79-888    | Support                  |
| 10..... | 969-2001J | Spring                      | 36..... | 17-2294   | Base                     |
| 11..... | 79-124-4  | Contact Support Complete    | 37..... | 11-1249   | Screw                    |
| 12..... | 911-373   | Long Hex Screw              | 38..... | 17-2291   | Base R.H.                |
| 13..... | 23-435    | Contact                     | 38..... | 17-2292   | Base L.H.                |
| 14..... | 24-196-2  | Contact Lever               | 39..... | 79-1677   | Bracket                  |
| 15..... | 24-196-5  | Contact Lever w/o Arc Guard | 40..... | 62-208    | Pole Piece               |
| 16..... | 69-58     | Spring                      | 41..... | 17-2293   | Side Plate               |
| 17..... | 13-84     | Pin                         | 42..... | 25-990    | Connector                |
| 18..... | 916-1164Z | Shim Washer .016 Thick      | 43..... | 62-233    | Arc Shield Complete      |
| 18..... | 16-319    | Shim Washer .032 Thick      | 44..... | 73-865    | Arc Shield L.H.          |
| 19..... | 13-587    | Adjusting Pin               | 44..... | 73-864    | Arc Shield R.H.          |
| 20..... | 29-541    | Spring Ring                 | 45..... | 73-374    | Arc Shield               |
| 21..... | 13-164    | Shaft                       | 46..... | 62-93     | Arc Horn                 |
| 22..... | 24-1201-2 | Armature Lever Complete     | 48..... | 79-4288   | Support Plate            |
| 23..... | 51-369    | Plunger                     |         |           |                          |





## No. 565 600 Amp Spring Closed D-C Contactor

| ITM     | OEM PART  | DESCRIPTION               | ITM     | OEM PART  | DESCRIPTION              |
|---------|-----------|---------------------------|---------|-----------|--------------------------|
| 1.....  | 51-343    | Plunger                   | 24..... | 55-1667   | Coil Clamp               |
| 2.....  | 911-5890Z | Screw                     | 25..... | 6-168-35  | Set of Contacts          |
| 2.....  |           | Coil                      | 36..... | 62-236-5  | Contact Support Complete |
| 3.....  | 51-342    | Core                      | 37..... | 911-5890Z | Screw                    |
| 4.....  | 4416-3    | Bakelite Washer           | 38..... | 14-256-12 | Stud for 1" Panel        |
| 5.....  | 916-3042Z | Steel Washer              | 39..... | 9-460-163 | Blowout Coil             |
| 6.....  | 17-207-4  | Magnet Frame              | 40..... | 79-891    | Support                  |
| 7.....  | 1314-100  | Pin for 1" Panel          | 41..... | 17-2294   | Base                     |
| 8.....  | 979-1007J | Bracket                   | 42..... | 11-1249-2 | Screw                    |
| 9.....  | 14-311-11 | Adjusting Stud            | 43..... | 17-2292   | Base L.H.                |
| 10..... | 929-1126Z | Spacer                    | 43..... | 17-2291   | Base R.H.                |
| 11..... | 23-1289-3 | Contact Support Complete  | 44..... | 79-1677   | Bracket                  |
| 13..... | 23-1225   | Contact                   | 45..... | 62-98     | Pole Piece               |
| 14..... | 624-594   | Contact Lever w/Connector | 46..... | 17-2295   | Side Plate               |
| 15..... | 24-1330   | Contact Lever Complete    | 47..... | 29-1127   | Spacer                   |
| 16..... | 13-3961   | Shaft                     | 48..... | 25-991    | Connector                |
| 17..... | 69-2376   | Spring                    | 49..... | 62-235    | Arc Shield Complete      |
| 18..... | 916-1121Z | Washer                    | 50..... | 73-268    | Arc Shield (Right Half)  |
| 19..... | 29-541    | Spring Ring               | 50..... | 73-267    | Arc Shield (Left Half)   |
| 20..... | 13-593    | Adjusting Pin             | 51..... | 73-243    | Arc Shield               |
| 21..... | 69-445    | Spring                    | 52..... | 62-99     | Arc Horn                 |
| 22..... | 13-155    | Shaft                     | 53..... | 17-1250   | Side Plate               |
| 23..... | 24-1274   | Armature Lever            | 55..... | 6-168-35  | Set of Contacts          |

This document utilizes an interactive table of contents to help you jump from one section to another. Click the button to return to the table of contents.

**RETURN TO  
TABLE OF CONTENTS**

### SAFETY LIMIT STOPS

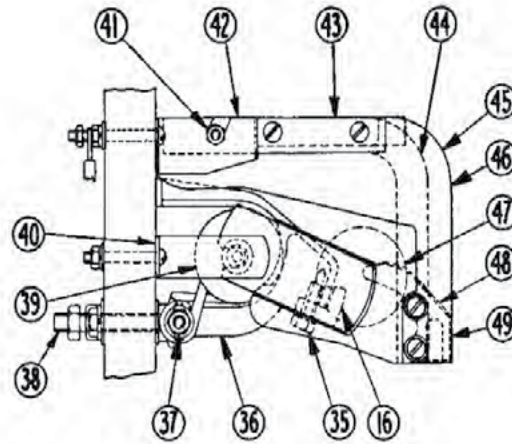
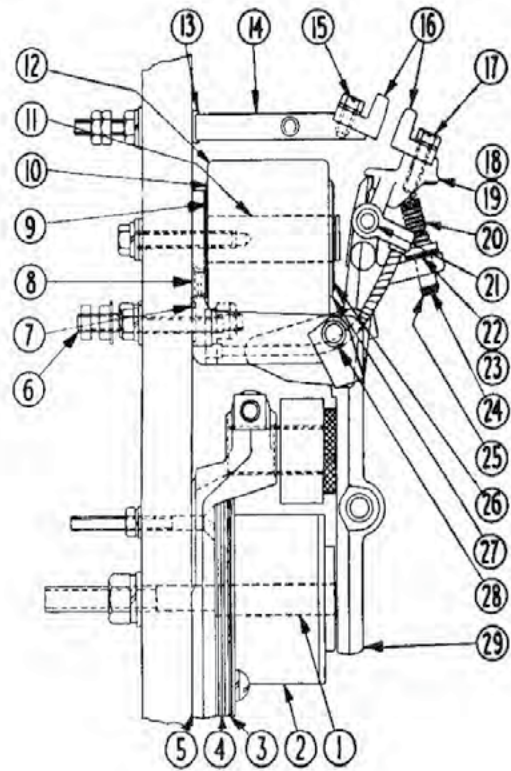
### BRAKES

### CONTACTORS

- No. 369 DC CONTACTOR
- No. 540 100 AMP D-C CONTACTOR
- No. 542 300 AMP D-C CONTACTOR
- No. 545 600 AMP D-C CONTACTOR
- No. 560 100 AMP SPRING CLOSED D-C CONTACTOR
- No. 562 300 AMP SPRING CLOSED D-C CONTACTOR
- No. 565 600 AMP SPRING CLOSED D-C CONTACTOR
- No. 570 100 AMP D-C CONTACTOR
- No. 572 300 AMP D-C CONTACTOR
- No. 575 600 AMP D-C CONTACTOR
- No. 580 100 AMP DOUBLE POLE D-C CONTACTOR
- No. 582 300 AMP DOUBLE POLE D-C CONTACTOR
- No. 590 100 AMP DOUBLE POLE D-C CONTACTOR
- No. 912 50 AMP SINGLE POLE D-C CONTACTOR
- No. 913 100 AMP SINGLE POLE D-C CONTACTOR
- No. 914 150 AMP SINGLE POLE D-C CONTACTOR
- No. 915 300 AMP SINGLE POLE D-C CONTACTOR
- No. 916 600 AMP SINGLE POLE D-C CONTACTOR
- No. 920 810 AMP SINGLE POLE D-C CONTACTOR
- No. 921 810 AMP D-C Lti CONTACTOR
- No. 923 100 AMP SPRING CLOSED D-C CONTACTOR
- No. 924 150 AMP SPRING CLOSED D-C CONTACTOR
- No. 925 300 AMP SPRING CLOSED D-C CONTACTOR
- No. 926 600 AMP SPRING CLOSED D-C CONTACTOR
- No. 932 50 AMP SINGLE POLE D-C Lti CONTACTOR
- No. 933 100 AMP D-C Lti CONTACTOR
- No. 934 150 AMP SINGLE POLE D-C Lti CONTACTOR
- No. 935 300 AMP D-C Lti CONTACTOR
- No. 936 600 AMP SINGLE POLE D-C Lti CONTACTOR
- No. 944 150 AMP TWO-POLE D-C Lti CONTACTOR
- No. 945 300 AMP TWO-POLE D-C Lti CONTACTOR
- No. 952 50 AMP DOUBLE POLE D-C Lti CONTACTOR
- No. 954 150 AMP DOUBLE POLE D-C Lti CONTACTOR
- No. 955 300 AMP TWO-POLE D-C Lti CONTACTOR



# O.C.C. REPLACEMENT PARTS FOR CUTLER HAMMER



## No. 570 100 Amp D-C Contactor

| ITM     | OEM PART   | DESCRIPTION               | ITM     | OEM PART  | DESCRIPTION              |
|---------|------------|---------------------------|---------|-----------|--------------------------|
| 1.....  | 618-351    | Post                      | 22..... | 16-320    | Washer .016 Thick        |
| 2.....  |            | Coil                      | 23..... | 916-174   | Washer .032 Thick        |
| 3.....  | 19-1367    | Shim                      | 24..... | 29-531    | Retaining Ring           |
| 4.....  | 19-1366    | Shim                      | 25..... | 13-591    | Adjusting Pin            |
| 5.....  | 17-2134    | Base Assembly             | 26..... | 16-391    | Brass Washer             |
| 6.....  | 814-567    | Stud                      | 27..... | 16-390    | Bakelite Washer          |
| 7.....  | 17-207-6   | Magnet Frame              | 28..... | 13-163    | Shaft                    |
| 8.....  | 69-2312    | Spring                    | 29..... | 624-650   | Armature Lever           |
| 9.....  | 16-1552    | Steel Washer              | 30..... | 6-168-29  | Set of Contacts          |
| 10..... | 16-1551-3  | Neoprene Washer           | 35..... | 911-5445Z | Long Hex. Screw          |
| 11..... | 51-177     | Coil Core                 | 36..... | 18-739    | Contact Support Complete |
| 12..... |            | Coil                      | 37..... | 911-5445Z | Long Hex. Screw          |
| 13..... | 933-242Z1  | Locking Clip              | 38..... | 814-266   | Stud For 3/4" Panel      |
| 14..... | 618-331    | Contact Support Complete  | 39..... |           | Blowout Coil             |
| 15..... | 911-5445FZ | Contact Screw             | 40..... | 79-845    | Support                  |
| 16..... | 23-812     | Contact, Silver Tipped    | 41..... | 14-359-2  | Stud                     |
| 16..... | 1321-841   | Contact                   | 43..... | 17-1523   | Side Plate               |
| 17..... | 911-5447FZ | Contact Screw             | 44..... | 25-812    | Connector                |
| 18..... | 24-1321-2  | Contact Lever w/Connector | 45..... | 62-121    | Arc Shield, Complete     |
| 19..... | 24-792-5   | Contact Lever Complete    | 48..... | 62-100    | Arc Horn                 |
| 20..... | 969-439    | Spring                    | 49..... | 62-86-7   | Blowout Complete         |
| 21..... | 956-1838   | Pin                       |         |           |                          |

This document utilizes an interactive table of contents to help you jump from one section to another. Click the button to return to the table of contents.

**RETURN TO  
TABLE OF CONTENTS**

### SAFETY LIMIT STOPS

### BRAKES

### CONTACTORS

- No. 369 DC CONTACTOR
- No. 540 100 AMP D-C CONTACTOR
- No. 542 300 AMP D-C CONTACTOR
- No. 545 600 AMP D-C CONTACTOR
- No. 560 100 AMP SPRING CLOSED D-C CONTACTOR
- No. 562 300 AMP SPRING CLOSED D-C CONTACTOR
- No. 565 600 AMP SPRING CLOSED D-C CONTACTOR
- No. 570 100 AMP D-C CONTACTOR
- No. 572 300 AMP D-C CONTACTOR
- No. 575 600 AMP D-C CONTACTOR
- No. 580 100 AMP DOUBLE POLE D-C CONTACTOR
- No. 582 300 AMP DOUBLE POLE D-C CONTACTOR
- No. 590 100 AMP DOUBLE POLE D-C CONTACTOR
- No. 912 50 AMP SINGLE POLE D-C CONTACTOR
- No. 913 100 AMP SINGLE POLE D-C CONTACTOR
- No. 914 150 AMP SINGLE POLE D-C CONTACTOR
- No. 915 300 AMP SINGLE POLE D-C CONTACTOR
- No. 916 600 AMP SINGLE POLE D-C CONTACTOR
- No. 920 810 AMP SINGLE POLE D-C CONTACTOR
- No. 921 810 AMP D-C Lti CONTACTOR
- No. 923 100 AMP SPRING CLOSED D-C CONTACTOR
- No. 924 150 AMP SPRING CLOSED D-C CONTACTOR
- No. 925 300 AMP SPRING CLOSED D-C CONTACTOR
- No. 926 600 AMP SPRING CLOSED D-C CONTACTOR
- No. 932 50 AMP SINGLE POLE D-C Lti CONTACTOR
- No. 933 100 AMP D-C Lti CONTACTOR
- No. 934 150 AMP SINGLE POLE D-C Lti CONTACTOR
- No. 935 300 AMP D-C Lti CONTACTOR
- No. 936 600 AMP SINGLE POLE D-C Lti CONTACTOR
- No. 944 150 AMP TWO--POLE D-C Lti CONTACTOR
- No. 945 300 AMP TWO--POLE D-C Lti CONTACTOR
- No. 952 50 AMP DOUBLE POLE D-C Lti CONTACTOR
- No. 954 150 AMP DOUBLE POLE D-C Lti CONTACTOR
- No. 955 300 AMP TWO--POLE D-C Lti CONTACTOR

INDEX

This document utilizes an interactive table of contents to help you jump from one section to another. Click the button to return to the table of contents.

**RETURN TO  
TABLE OF CONTENTS**

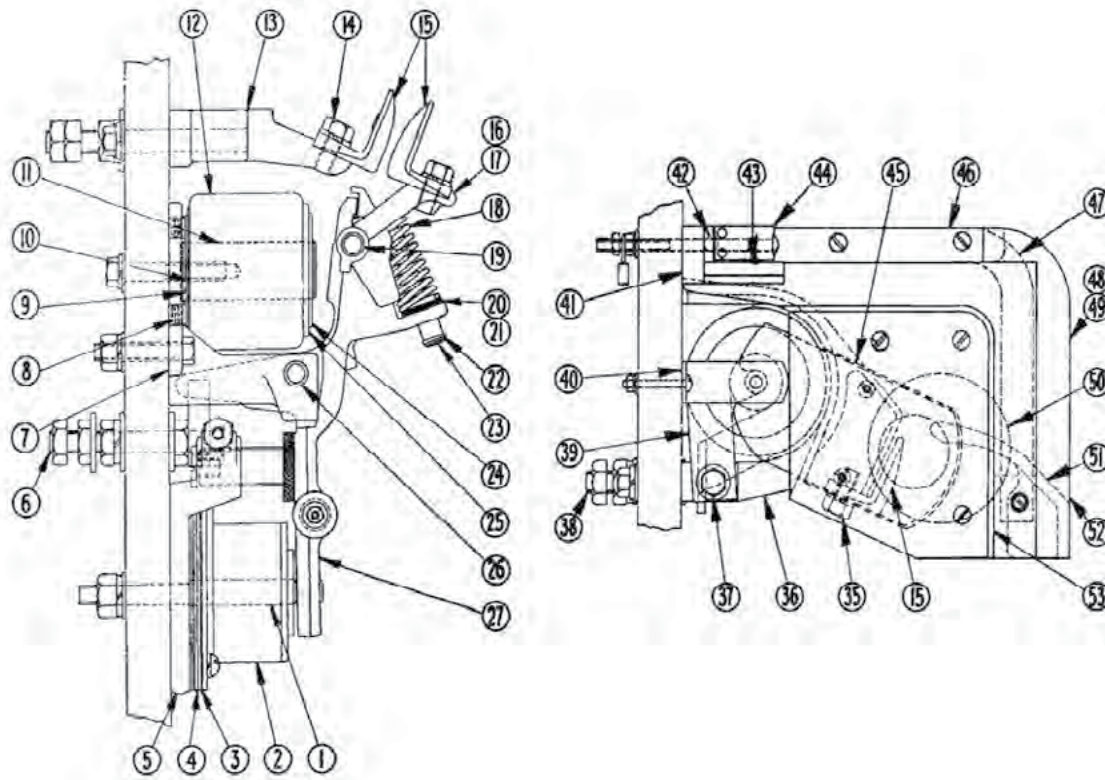
*SAFETY LIMIT STOPS*

*BRAKES*

*CONTACTORS*

- No. 369 DC CONTACTOR
- No. 540 100 AMP D-C CONTACTOR
- No. 542 300 AMP D-C CONTACTOR
- No. 545 600 AMP D-C CONTACTOR
- No. 560 100 AMP SPRING CLOSED D-C CONTACTOR
- No. 562 300 AMP SPRING CLOSED D-C CONTACTOR
- No. 565 600 AMP SPRING CLOSED D-C CONTACTOR
- No. 570 100 AMP D-C CONTACTOR
- No. 572 300 AMP D-C CONTACTOR
- No. 575 600 AMP D-C CONTACTOR
- No. 580 100 AMP DOUBLE POLE D-C CONTACTOR
- No. 582 300 AMP DOUBLE POLE D-C CONTACTOR
- No. 590 100 AMP DOUBLE POLE D-C CONTACTOR
- No. 912 50 AMP SINGLE POLE D-C CONTACTOR
- No. 913 100 AMP SINGLE POLE D-C CONTACTOR
- No. 914 150 AMP SINGLE POLE D-C CONTACTOR
- No. 915 300 AMP SINGLE POLE D-C CONTACTOR
- No. 916 600 AMP SINGLE POLE D-C CONTACTOR
- No. 920 810 AMP SINGLE POLE D-C CONTACTOR
- No. 921 810 AMP D-C Lti CONTACTOR
- No. 923 100 AMP SPRING CLOSED D-C CONTACTOR
- No. 924 150 AMP SPRING CLOSED D-C CONTACTOR
- No. 925 300 AMP SPRING CLOSED D-C CONTACTOR
- No. 926 600 AMP SPRING CLOSED D-C CONTACTOR
- No. 932 50 AMP SINGLE POLE D-C Lti CONTACTOR
- No. 933 100 AMP D-C Lti CONTACTOR
- No. 934 150 AMP SINGLE POLE D-C Lti CONTACTOR
- No. 935 300 AMP D-C Lti CONTACTOR
- No. 936 600 AMP SINGLE POLE D-C Lti CONTACTOR
- No. 944 150 AMP TWO-POLE D-C Lti CONTACTOR
- No. 945 300 AMP TWO-POLE D-C Lti CONTACTOR
- No. 952 50 AMP DOUBLE POLE D-C Lti CONTACTOR
- No. 954 150 AMP DOUBLE POLE D-C Lti CONTACTOR
- No. 955 300 AMP TWO-POLE D-C Lti CONTACTOR

*INDEX*

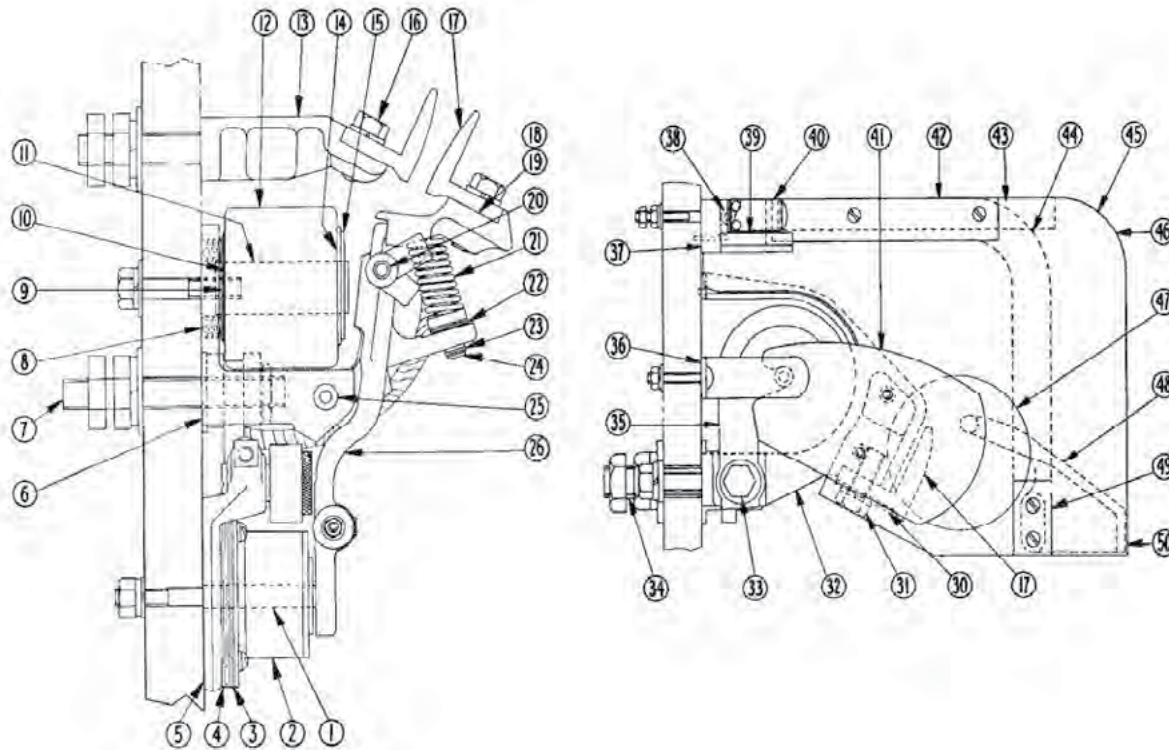


**No. 572 300 Amp D-C Contactor**

| ITM     | OEM PART  | DESCRIPTION                 | ITM     | OEM PART  | DESCRIPTION              |
|---------|-----------|-----------------------------|---------|-----------|--------------------------|
| 1.....  | 618-351   | Post                        | 35..... | 911-5646Z | Contact Mounting Screw   |
| 2.....  |           | Coil                        | 36..... | 62-234-6  | Contact Support Complete |
| 3.....  | 19-1367   | Shim                        | 37..... | 911-5646Z | Contact Mounting Screw   |
| 4.....  | 19-1366   | Shim                        | 37..... | 916-882Z  | Washer                   |
| 5.....  | 17-2134-2 | Base                        | 38..... | 1314-844  | Stud for 3/4 Panel       |
| 6.....  | 1314-843  | Copper Stud                 | 39..... | 9-460-162 | Blowout Coil             |
| 7.....  | 17-207-15 | Magnet Frame                | 40..... | 79-888    | Support                  |
| 8.....  | 969-1162  | Spring                      | 41..... | 17-2294   | Base                     |
| 9.....  | 916-2882Z | Steel Washer                | 42..... | 11-1249   | Screw                    |
| 10..... | 16-1551-2 | Neoprene Washer             | 43..... | 17-2292   | Base L.H.                |
| 13..... | 79-124-4  | Contact Support Complete    | 43..... | 17-2291   | Base R.H.                |
| 14..... | 911-373   | Long Hex Screw              | 44..... | 79-1677   | Bracket                  |
| 15..... | 23-435    | Contact                     | 45..... | 62-208    | Pole Piece               |
| 16..... | 24-196-2  | Contact Lever               | 46..... | 17-2293   | Side Plate               |
| 17..... | 24-196-5  | Contact Lever w/o Arc Guard | 47..... | 25-990    | Connector                |
| 18..... | 69-58     | Spring                      | 48..... | 62-233    | Arc Shield Complete      |
| 19..... | 13-84     | Pin                         | 49..... | 73-865    | Arc Shield L.H.          |
| 20..... | 916-1164Z | Shim Washer .016 Thick      | 49..... | 73-864    | Arc Shield R.H.          |
| 21..... | 16-319    | Shim Washer .032 Thick      | 50..... | 73-374    | Arc Shield               |
| 22..... | 29-541    | Spring Ring                 | 51..... | 62-93     | Arc Horn                 |
| 23..... | 13-587    | Adjusting Pin               | 52..... | 62-234    | D-c Blowout Complete     |
| 24..... | 16-252    | Brass Washer                | 52..... | 62-234-2  | D-c Blowout Complete     |
| 25..... | 16-253    | Bakelite Washer             | 52..... | 62-234-3  | D-c Blowout Complete     |
| 26..... | 13-170    | Shaft                       | 52..... | 62-234-4  | D-c Blowout Complete     |
| 27..... | 24-184-2  | Shaft                       | 53..... | 79-4288   | Support Plate            |
| 28..... | 6-168-33  | Renewal Set of Contacts     | 54..... | 6-168-10  | Contact Set              |



This document utilizes an interactive table of contents to help you jump from one section to another. Click the button to return to the table of contents.



### No. 575 600 Amp D-C Contactor

**RETURN TO TABLE OF CONTENTS**

*SAFETY LIMIT STOPS*

*BRAKES*

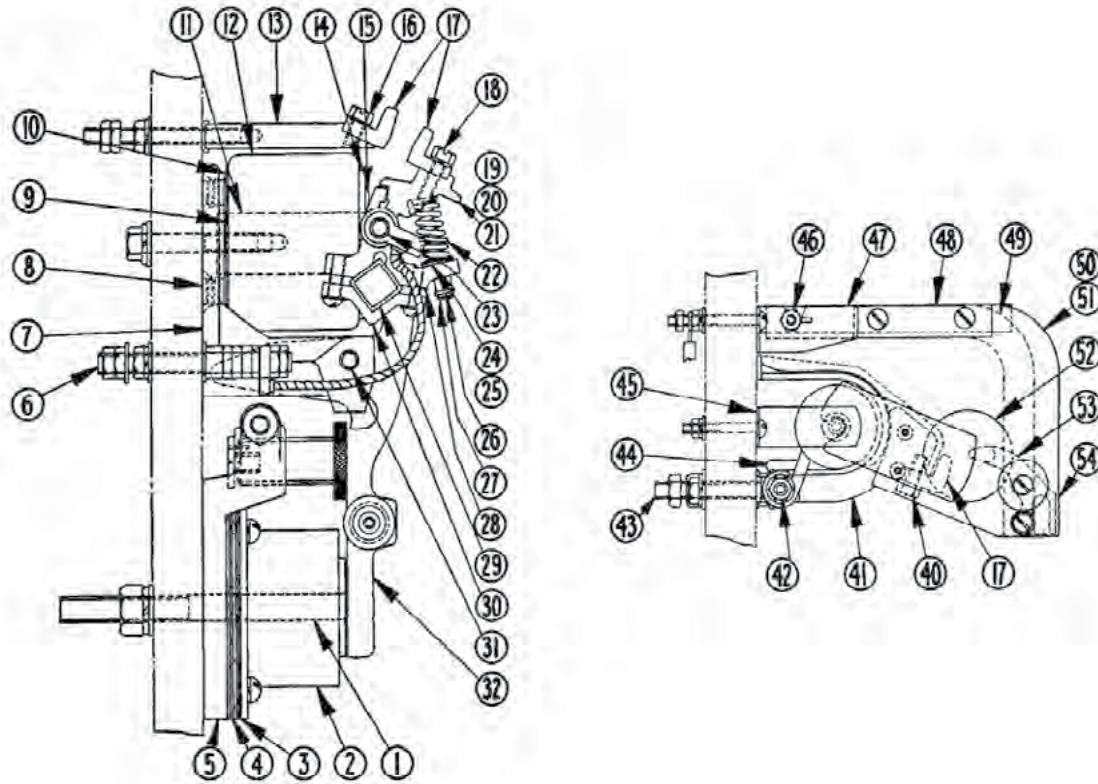
*CONTACTORS*

- No. 369 DC CONTACTOR
- No. 540 100 AMP D-C CONTACTOR
- No. 542 300 AMP D-C CONTACTOR
- No. 545 600 AMP D-C CONTACTOR
- No. 560 100 AMP SPRING CLOSED D-C CONTACTOR
- No. 562 300 AMP SPRING CLOSED D-C CONTACTOR
- No. 565 600 AMP SPRING CLOSED D-C CONTACTOR
- No. 570 100 AMP D-C CONTACTOR
- No. 572 300 AMP D-C CONTACTOR
- No. 575 600 AMP D-C CONTACTOR
- No. 580 100 AMP DOUBLE POLE D-C CONTACTOR
- No. 582 300 AMP DOUBLE POLE D-C CONTACTOR
- No. 590 100 AMP DOUBLE POLE D-C CONTACTOR
- No. 912 50 AMP SINGLE POLE D-C CONTACTOR
- No. 913 100 AMP SINGLE POLE D-C CONTACTOR
- No. 914 150 AMP SINGLE POLE D-C CONTACTOR
- No. 915 300 AMP SINGLE POLE D-C CONTACTOR
- No. 916 600 AMP SINGLE POLE D-C CONTACTOR
- No. 920 810 AMP SINGLE POLE D-C CONTACTOR
- No. 921 810 AMP D-C Lti CONTACTOR
- No. 923 100 AMP SPRING CLOSED D-C CONTACTOR
- No. 924 150 AMP SPRING CLOSED D-C CONTACTOR
- No. 925 300 AMP SPRING CLOSED D-C CONTACTOR
- No. 926 600 AMP SPRING CLOSED D-C CONTACTOR
- No. 932 50 AMP SINGLE POLE D-C Lti CONTACTOR
- No. 933 100 AMP D-C Lti CONTACTOR
- No. 934 150 AMP SINGLE POLE D-C Lti CONTACTOR
- No. 935 300 AMP D-C Lti CONTACTOR
- No. 936 600 AMP SINGLE POLE D-C Lti CONTACTOR
- No. 944 150 AMP TWO-POLE D-C Lti CONTACTOR
- No. 945 300 AMP TWO-POLE D-C Lti CONTACTOR
- No. 952 50 AMP DOUBLE POLE D-C Lti CONTACTOR
- No. 954 150 AMP DOUBLE POLE D-C Lti CONTACTOR
- No. 955 300 AMP TWO-POLE D-C Lti CONTACTOR

| ITM     | OEM PART  | DESCRIPTION               | ITM     | OEM PART  | DESCRIPTION              |
|---------|-----------|---------------------------|---------|-----------|--------------------------|
| 1.....  | 618-351   | Post                      | 25..... | 13-164    | Shaft                    |
| 2.....  |           | Coil                      | 26..... | 24-816-2  | Armature Lever           |
| 3.....  | 19-1367   | Shim                      | 27..... | 6-138-35  | Set of Contacts          |
| 4.....  | 19-1366   | Shim                      | 31..... | 911-5890Z | Screw                    |
| 5.....  | 17-2134-2 | Base                      | 32..... | 62-236-5  | Contact Support Complete |
| 6.....  | 17-207-16 | Magnet Frame              | 33..... | 911-5890Z | Screw                    |
| 7.....  | 1314-100  | Stud                      | 34..... | 14-256-12 | Stud                     |
| 8.....  | 969-1162  | Spring                    | 35..... | 9-460-163 | Coil                     |
| 9.....  | 916-2921Z | Steel Washer              | 36..... | 79-891    | Support                  |
| 10..... | 16-1551-2 | Neoprene Washer           | 37..... | 17-2294   | Base                     |
| 11..... | 51-979    | Core                      | 38..... | 11-1249-2 | Screw                    |
| 12..... |           | Coil                      | 39..... | 17-2292   | Base L.H.                |
| 13..... | 23-1289-3 | Contact Support Comp      | 39..... | 17-2291   | Base R.H.                |
| 14..... | 16-253    | Bakelite Washer           | 40..... | 79-1677   | Bracket                  |
| 15..... | 16-426    | Brass Washer              | 41..... | 62-98     | Pole Piece               |
| 16..... | 911-5890Z | Screw                     | 42..... | 17-2295   | Side Plate               |
| 17..... | 23-1225   | Contact                   | 43..... | 29-1127   | Spacer                   |
| 18..... | 624-594   | Contact Lever w/Connector | 44..... | 25-991    | Connector                |
| 19..... | 24-1330   | Contact Lever Complete    | 45..... | 62-235    | Arc Shield Complete      |
| 19..... | 17-1250   | Side Plate                | 46..... | 73-268    | Arc Shield (Right Half)  |
| 20..... | 13-3961   | Shaft                     | 46..... | 73-267    | Arc Shield (Left Half)   |
| 21..... | 69-2376   | Spring                    | 47..... | 73-243    | Arc Shield               |
| 23..... | 29-541    | Spring Ring               | 48..... | 62-99     | Arc Horn                 |
| 24..... | 13-593    | Adjusting Pin             |         |           |                          |

This document utilizes an interactive table of contents to help you jump from one section to another. Click the button to return to the table of contents.

**RETURN TO TABLE OF CONTENTS**



### No. 580 100 Amp Double Pole D-C Contactor

| ITM     | OEM PART   | DESCRIPTION               | ITM     | OEM PART  | DESCRIPTION                 |
|---------|------------|---------------------------|---------|-----------|-----------------------------|
| 01..... | 618-351    | Post                      | 24..... | 16-320    | Washer                      |
| 03..... | 19-1367    | Shim                      | 25..... | 916-174   | Washer                      |
| 04..... | 19-1366    | Shim                      | 26..... | 29-531    | Retaining Ring              |
| 05..... | 17-2134-2  | Base                      | 27..... | 13-591    | Adjusting Pin               |
| 06..... | 14-274-22  | Stud for 1-1/2" Panel     | 28..... | 24-864    | Lever                       |
| 07..... | 17-207-15  | Magnet Frame              | 29..... | 29-722    | Insulating Tube             |
| 08..... | 969-1162   | Spring                    | 30..... | 955-51    | Clamp                       |
| 09..... | 916-2882Z  | Steel Washer              | 31..... | 13-170    | Shaft                       |
| 10..... | 16-1551-2  | Neoprene Washer           | 32..... | 24-1275   | Armature Lever              |
| 11..... | 51-92      | Coil Core                 | 33..... | 6-168-37  | Set of Contacts             |
| 13..... | 618-407    | Contact Support Complete  | 40..... | 911-5445Z | Long Hex. Screw             |
| 14..... | 16-253     | Bakelite Washer           | 41..... | 18-739    | Contact Support Complete    |
| 15..... | 16-252     | Brass Washer              | 42..... | 911-5445Z | Long Hex. Screw             |
| 16..... | 911-5445FZ | Contact Screw             | 43..... | 814-266   | Stud For 3/4" Panel         |
| 17..... | 1321-841   | Contact                   | 45..... | 79-845    | Support                     |
| 17..... | 23-812     | Contact, Silver Tipped    | 46..... | 14-359-2  | Stud                        |
| 18..... | 911-5448F1 | Contact Screw             | 48..... | 17-1523   | Side Plate                  |
| 19..... | 24-1321-2  | Contact Lever w/Connector | 49..... | 25-812    | Connector                   |
| 20..... | 24-1321-4  | Contact Lever Left Hand   | 50..... | 62-121    | Arc Shield, Complete        |
| 21..... | 24-792-5   | Contact Lever Complete    | 52..... | 73-242    | Arc Shield                  |
| 21..... | 624-578    | Contact Lever Left Hand   | 53..... | 62-100    | Arc Horn                    |
| 22..... | 969-439    | Spring                    | 54..... | 62-86-7   | Blowout Complete 3/4" Panel |
| 23..... | 956-1838   | Pin                       |         |           |                             |

**SAFETY LIMIT STOPS**

**BRAKES**

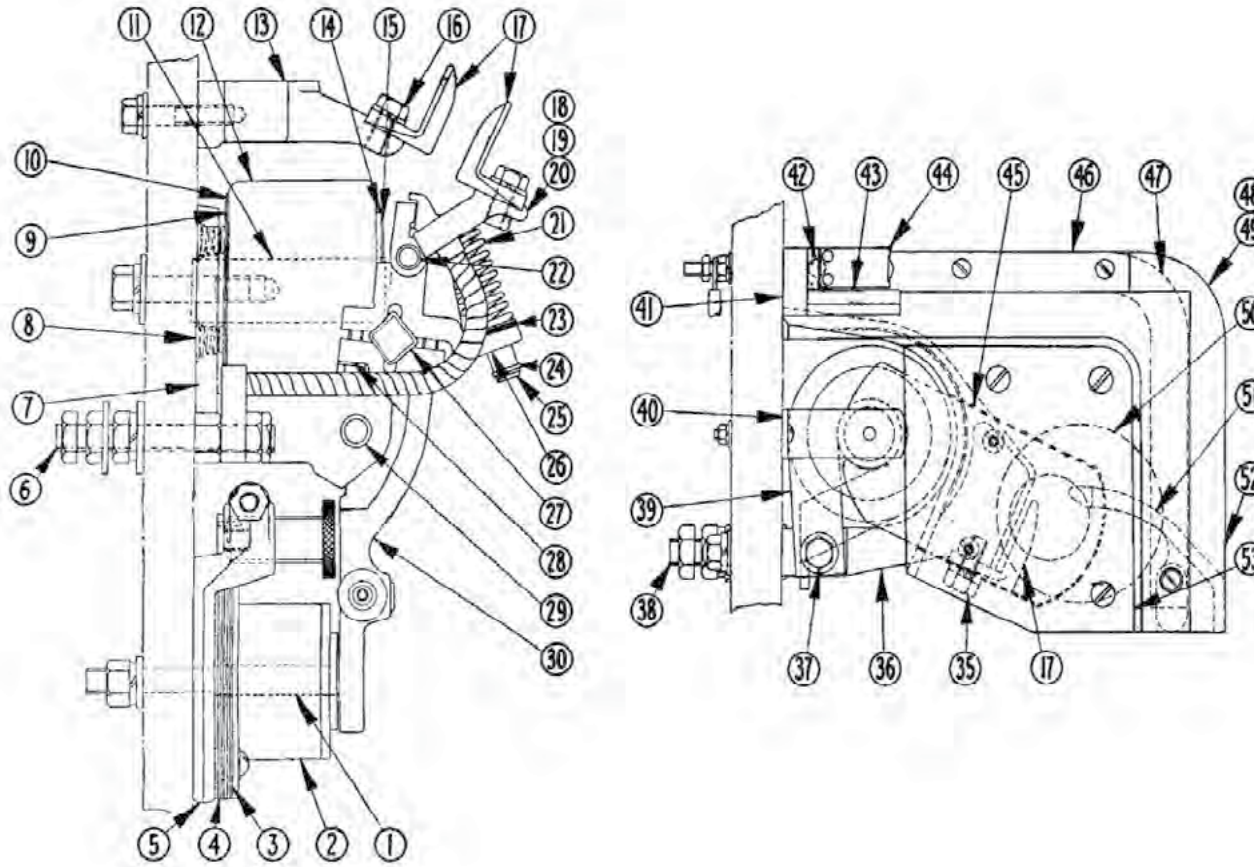
**CONTACTORS**

- No. 369 DC CONTACTOR
- No. 540 100 AMP D-C CONTACTOR
- No. 542 300 AMP D-C CONTACTOR
- No. 545 600 AMP D-C CONTACTOR
- No. 560 100 AMP SPRING CLOSED D-C CONTACTOR
- No. 562 300 AMP SPRING CLOSED D-C CONTACTOR
- No. 565 600 AMP SPRING CLOSED D-C CONTACTOR
- No. 570 100 AMP D-C CONTACTOR
- No. 572 300 AMP D-C CONTACTOR
- No. 575 600 AMP D-C CONTACTOR
- No. 580 100 AMP DOUBLE POLE D-C CONTACTOR
- No. 582 300 AMP DOUBLE POLE D-C CONTACTOR
- No. 590 100 AMP DOUBLE POLE D-C CONTACTOR
- No. 912 50 AMP SINGLE POLE D-C CONTACTOR
- No. 913 100 AMP SINGLE POLE D-C CONTACTOR
- No. 914 150 AMP SINGLE POLE D-C CONTACTOR
- No. 915 300 AMP SINGLE POLE D-C CONTACTOR
- No. 916 600 AMP SINGLE POLE D-C CONTACTOR
- No. 920 810 AMP SINGLE POLE D-C CONTACTOR
- No. 921 810 AMP D-C Lti CONTACTOR
- No. 923 100 AMP SPRING CLOSED D-C CONTACTOR
- No. 924 150 AMP SPRING CLOSED D-C CONTACTOR
- No. 925 300 AMP SPRING CLOSED D-C CONTACTOR
- No. 926 600 AMP SPRING CLOSED D-C CONTACTOR
- No. 932 50 AMP SINGLE POLE D-C Lti CONTACTOR
- No. 933 100 AMP D-C Lti CONTACTOR
- No. 934 150 AMP SINGLE POLE D-C Lti CONTACTOR
- No. 935 300 AMP D-C Lti CONTACTOR
- No. 936 600 AMP SINGLE POLE D-C Lti CONTACTOR
- No. 944 150 AMP TWO-POLE D-C Lti CONTACTOR
- No. 945 300 AMP TWO-POLE D-C Lti CONTACTOR
- No. 952 50 AMP DOUBLE POLE D-C Lti CONTACTOR
- No. 954 150 AMP DOUBLE POLE D-C Lti CONTACTOR
- No. 955 300 AMP TWO-POLE D-C Lti CONTACTOR



This document utilizes an interactive table of contents to help you jump from one section to another. Click the button to return to the table of contents.

**RETURN TO TABLE OF CONTENTS**

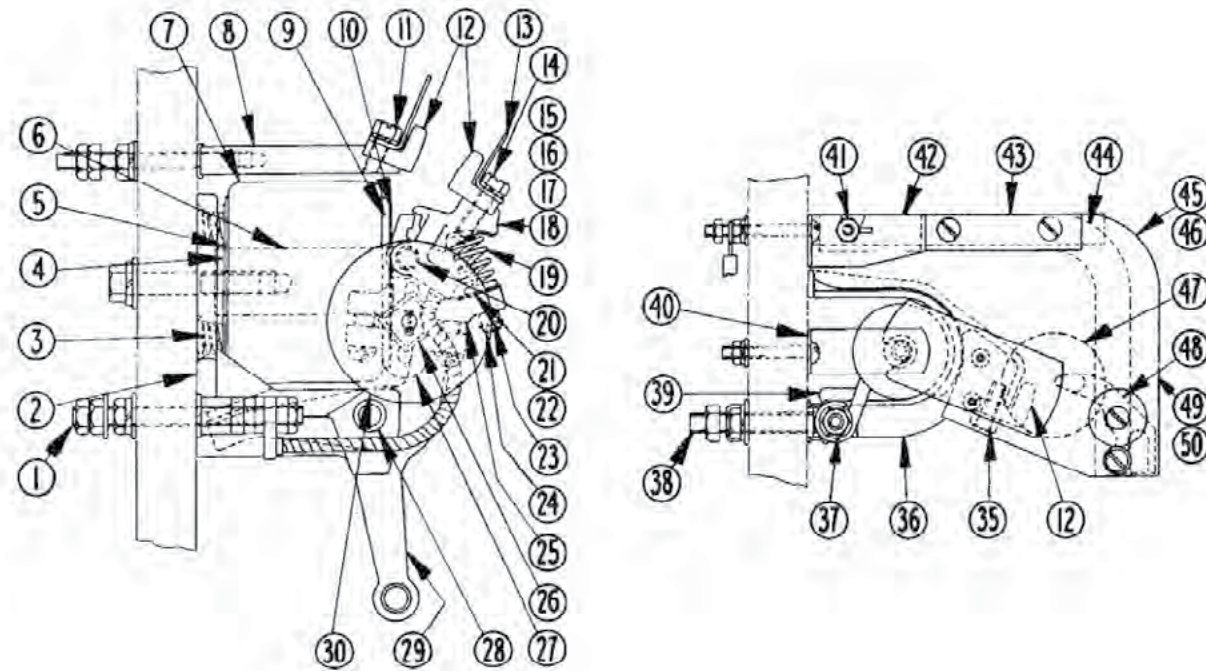


**No. 582 300 Amp Double Pole D-C Contactor**

| ITM     | OEM PART  | DESCRIPTION                 | ITM     | OEM PART  | DESCRIPTION              |
|---------|-----------|-----------------------------|---------|-----------|--------------------------|
| 1.....  | 618-351   | Post                        | 28..... | 55-217    | Clamp                    |
| 2.....  |           | Coil                        | 29..... | 13-164    | Shaft                    |
| 3.....  | 19-1367   | Shim                        | 35..... | 911-5646Z | Contact Mounting Screw   |
| 4.....  | 19-1366   | Shim                        | 36..... | 62-234-6  | Contact Support Complete |
| 5.....  | 17-2134-2 | Base                        | 37..... | 911-5646Z | Contact Mounting Screw   |
| 6.....  | 1314-844  | Stud for Panel              | 38..... | 14-256-18 | Stud For Panel           |
| 7.....  | 17-207-16 | Magnet Frame                | 39..... | 9-460-162 | Blowout Coil             |
| 9.....  | 916-2921Z | Steel Washer                | 40..... | 79-888    | Support                  |
| 10..... | 16-1551-2 | Neoprene Washer             | 41..... | 17-2294   | Base                     |
| 11..... | 51-200    | Core                        | 42..... | 11-1249   | Screw                    |
| 12..... | 969-1162  | Spring                      | 43..... | 17-2291   | Base R.H.                |
| 12..... |           | Coil                        | 43..... | 17-2292   | Base L.H.                |
| 14..... | 16-253    | Bakelite Washer             | 44..... | 79-1677   | Bracket                  |
| 15..... | 16-426    | Brass Washer                | 44..... | 73-865    | Arc Shield L.H.          |
| 16..... | 911-373   | Long Hex Screw              | 45..... | 62-208    | Pole Piece               |
| 17..... | 23-435    | Contact                     | 46..... | 17-2293   | Side Plate               |
| 18..... | 24-196-2  | Contact Lever               | 47..... | 25-990    | Connector                |
| 19..... | 26-196-4  | Contact Lever (Left Hand)   | 48..... | 62-233    | Arc Shield Complete      |
| 20..... | 24-196-5  | Contact Lever w/o Arc Guard | 49..... | 73-864    | Arc Shield R.H.          |
| 21..... | 62-93     | Arc Horn                    | 49..... | 73-374    | Arc Shield               |
| 22..... | 13-84     | Pin                         | 50..... | 69-58     | Spring                   |
| 23..... | 916-1164Z | Shim Washer .016 Thick      | 52..... | 62-234-4  | D-c Blowout Complete     |
| 24..... | 29-541    | Spring Ring                 | 52..... | 62-234    | D-c Blowout Complete     |
| 25..... | 13-587    | Adjusting Pin               | 52..... | 62-234-3  | D-c Blowout Complete     |
| 27..... | 29-735    | Insulating Tube             | 52..... | 62-234-2  | D-c Blowout Complete     |
|         |           |                             | 53..... | 79-4288   | Support Plate            |

- SAFETY LIMIT STOPS**
- BRAKES**
- CONTACTORS**
- No. 369 DC CONTACTOR
  - No. 540 100 AMP D-C CONTACTOR
  - No. 542 300 AMP D-C CONTACTOR
  - No. 545 600 AMP D-C CONTACTOR
  - No. 560 100 AMP SPRING CLOSED D-C CONTACTOR
  - No. 562 300 AMP SPRING CLOSED D-C CONTACTOR
  - No. 565 600 AMP SPRING CLOSED D-C CONTACTOR
  - No. 570 100 AMP D-C CONTACTOR
  - No. 572 300 AMP D-C CONTACTOR
  - No. 575 600 AMP D-C CONTACTOR
  - No. 580 100 AMP DOUBLE POLE D-C CONTACTOR
  - No. 582 300 AMP DOUBLE POLE D-C CONTACTOR
  - No. 590 100 AMP DOUBLE POLE D-C CONTACTOR
  - No. 912 50 AMP SINGLE POLE D-C CONTACTOR
  - No. 913 100 AMP SINGLE POLE D-C CONTACTOR
  - No. 914 150 AMP SINGLE POLE D-C CONTACTOR
  - No. 915 300 AMP SINGLE POLE D-C CONTACTOR
  - No. 916 600 AMP SINGLE POLE D-C CONTACTOR
  - No. 920 810 AMP SINGLE POLE D-C CONTACTOR
  - No. 921 810 AMP D-C Lti CONTACTOR
  - No. 923 100 AMP SPRING CLOSED D-C CONTACTOR
  - No. 924 150 AMP SPRING CLOSED D-C CONTACTOR
  - No. 925 300 AMP SPRING CLOSED D-C CONTACTOR
  - No. 926 600 AMP SPRING CLOSED D-C CONTACTOR
  - No. 932 50 AMP SINGLE POLE D-C Lti CONTACTOR
  - No. 933 100 AMP D-C Lti CONTACTOR
  - No. 934 150 AMP SINGLE POLE D-C Lti CONTACTOR
  - No. 935 300 AMP D-C Lti CONTACTOR
  - No. 936 600 AMP SINGLE POLE D-C Lti CONTACTOR
  - No. 944 150 AMP TWO-POLE D-C Lti CONTACTOR
  - No. 945 300 AMP TWO-POLE D-C Lti CONTACTOR
  - No. 952 50 AMP DOUBLE POLE D-C Lti CONTACTOR
  - No. 954 150 AMP DOUBLE POLE D-C Lti CONTACTOR
  - No. 955 300 AMP TWO-POLE D-C Lti CONTACTOR





### No. 590 100 Amp Double Pole D-C Contactor

| ITM     | OEM PART   | DESCRIPTION                 | ITM     | OEM PART  | DESCRIPTION                 |
|---------|------------|-----------------------------|---------|-----------|-----------------------------|
| 1.....  | 14-274-22  | Stud for 1-1/2" Panel       | 22..... | 916-174   | Washer .032 Thick           |
| 2.....  | 17-207-15  | Magnet Frame                | 23..... | 29-531    | Retaining Ring              |
| 3.....  | 69-2441    | Spring                      | 24..... | 13-591    | Adjusting Pin               |
| 4.....  | 916-2882Z  | Steel Washer                | 25..... | 24-864    | Lever                       |
| 5.....  | 16-1551-2  | Neoprene Washer             | 26..... | 29-1336   | Insulating Tube             |
| 6.....  | 51-92      | Coil Core                   | 27..... | 955-51    | Clamp                       |
| 7.....  |            | Coil                        | 28..... | 13-170    | Shaft                       |
| 8.....  | 618-407    | Contact Support Complete    | 29..... | 24-1404   | Armature Lever              |
| 9.....  | 16-253     | Bakelite Washer             | 30..... | 16-840-21 | Insulating Washer           |
| 10..... | 16-252     | Brass Washer                | 31..... | 6-168-37  | Set of Contacts             |
| 11..... | 911-5445FZ | Contact Screw               | 35..... | 911-5445Z | Long Hex. Screw             |
| 12..... | 23-812     | Contact, Silver Tipped      | 36..... | 18-739    | Contact Support Complete    |
| 12..... | 23-3514    | Contact                     | 37..... | 911-5445Z | Long Hex. Screw             |
| 13..... | 49-240     | Arc Guard                   | 38..... | 814-266   | Stud For 3/4" Panel         |
| 14..... | 911-5448F1 | Contact Screw               | 39..... |           | Blowout Coil                |
| 15..... | 24-1321-2  | Contact Lever w/Connector   | 40..... | 79-845    | Support                     |
| 16..... | 24-1321-4  | Contact Lever Left Hand     | 41..... | 14-359-2  | Stud                        |
| 17..... | 24-792-5   | Contact Lever Complete R.H. | 43..... | 17-1523   | Side Plate                  |
| 17..... | 624-578    | Contact Lever Left Hand     | 44..... | 25-812    | Connector                   |
| 18..... | 24-792     | Contact Lever Complete      | 45..... | 62-121    | Arc Shield, Complete        |
| 18..... | 55020-1    | Contact Lever Left Hand     | 47..... | 73-242    | Arc Shield                  |
| 19..... | 69-2375    | Spring                      | 48..... | 62-100    | Arc Horn                    |
| 20..... | 13-4634    | Pin                         | 49..... | 62-86-7   | Blowout Complete 3/4" Panel |
| 21..... | 16-320     | Washer .016 Thick           |         |           |                             |

This document utilizes an interactive table of contents to help you jump from one section to another. Click the button to return to the table of contents.

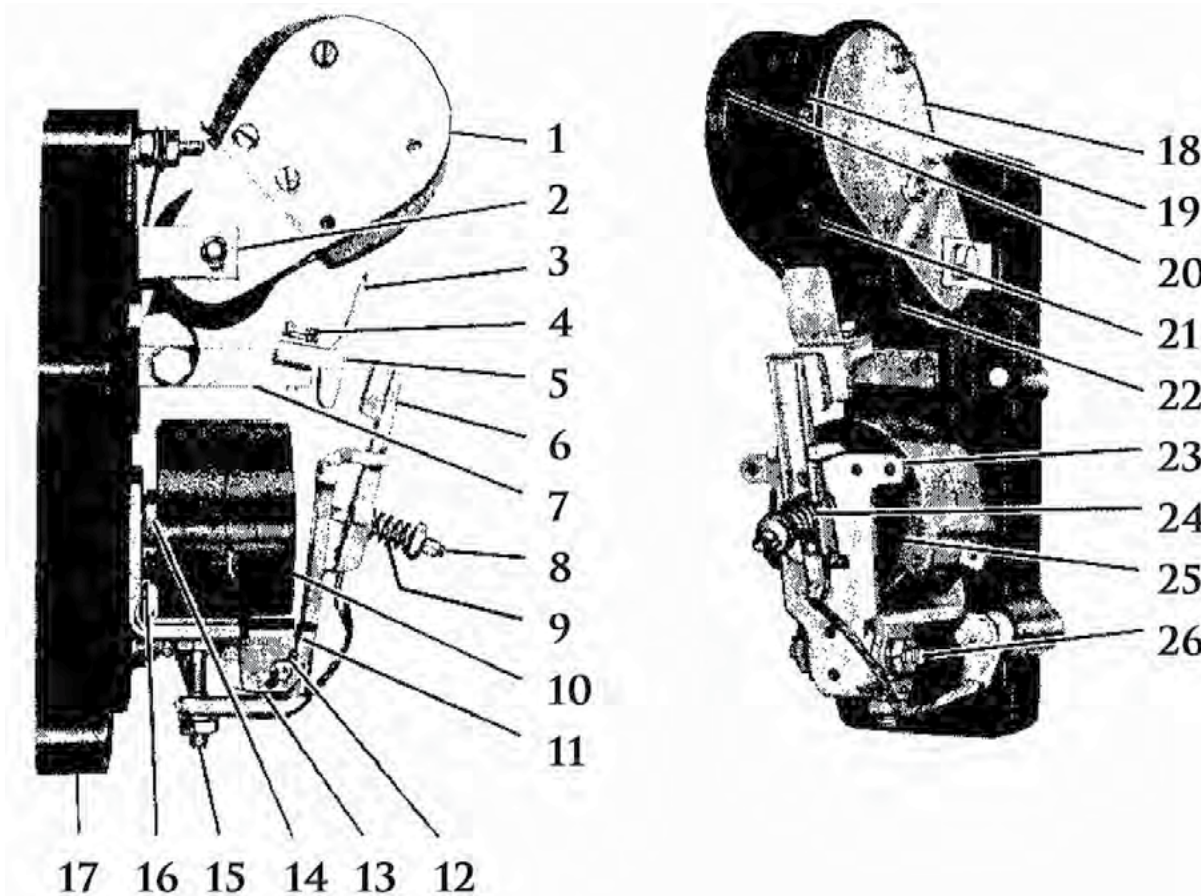
**RETURN TO TABLE OF CONTENTS**

**SAFETY LIMIT STOPS**

**BRAKES**

**CONTACTORS**

- No. 369 DC CONTACTOR
- No. 540 100 AMP D-C CONTACTOR
- No. 542 300 AMP D-C CONTACTOR
- No. 545 600 AMP D-C CONTACTOR
- No. 560 100 AMP SPRING CLOSED D-C CONTACTOR
- No. 562 300 AMP SPRING CLOSED D-C CONTACTOR
- No. 565 600 AMP SPRING CLOSED D-C CONTACTOR
- No. 570 100 AMP D-C CONTACTOR
- No. 572 300 AMP D-C CONTACTOR
- No. 575 600 AMP D-C CONTACTOR
- No. 580 100 AMP DOUBLE POLE D-C CONTACTOR
- No. 582 300 AMP DOUBLE POLE D-C CONTACTOR
- No. 590 100 AMP DOUBLE POLE D-C CONTACTOR
- No. 912 50 AMP SINGLE POLE D-C CONTACTOR
- No. 913 100 AMP SINGLE POLE D-C CONTACTOR
- No. 914 150 AMP SINGLE POLE D-C CONTACTOR
- No. 915 300 AMP SINGLE POLE D-C CONTACTOR
- No. 916 600 AMP SINGLE POLE D-C CONTACTOR
- No. 920 810 AMP SINGLE POLE D-C CONTACTOR
- No. 921 810 AMP D-C Lti CONTACTOR
- No. 923 100 AMP SPRING CLOSED D-C CONTACTOR
- No. 924 150 AMP SPRING CLOSED D-C CONTACTOR
- No. 925 300 AMP SPRING CLOSED D-C CONTACTOR
- No. 926 600 AMP SPRING CLOSED D-C CONTACTOR
- No. 932 50 AMP SINGLE POLE D-C Lti CONTACTOR
- No. 933 100 AMP D-C Lti CONTACTOR
- No. 934 150 AMP SINGLE POLE D-C Lti CONTACTOR
- No. 935 300 AMP D-C Lti CONTACTOR
- No. 936 600 AMP SINGLE POLE D-C Lti CONTACTOR
- No. 944 150 AMP TWO--POLE D-C Lti CONTACTOR
- No. 945 300 AMP TWO--POLE D-C Lti CONTACTOR
- No. 952 50 AMP DOUBLE POLE D-C Lti CONTACTOR
- No. 954 150 AMP DOUBLE POLE D-C Lti CONTACTOR
- No. 955 300 AMP TWO--POLE D-C Lti CONTACTOR



No. 912 50 Amp Single Pole D-C Contactor

| ITM     | OEM PART  | DESCRIPTION            | ITM     | OEM PART   | DESCRIPTION                 |
|---------|-----------|------------------------|---------|------------|-----------------------------|
| 1.....  | 62-474    | Blowout Complete       | 13..... | 17-6904    | Magnet Frame                |
| 2.....  | 79-5375-2 | Bracket                | 14..... | 51-64      | Core                        |
| 3.....  | 62-440    | Arc Guard              | 15..... | 916-198    | Lockwasher                  |
| 4.....  | 911-5445Z | Long Hex. Screw        | 15..... | 915-803Z   | Nut                         |
| 4.....  | 916-682Z  | Lockwasher             | 15..... | 11-1812    | Adjusting Screw             |
| 5.....  | 23-1258   | Contact (Silver Faced) | 16..... | 69-2312    | Spring                      |
| 5.....  | 23-3286   | Contact                | 17..... | 81-7302    | Molded Base                 |
| 6.....  | 40-522    | Contact (Silver Faced) | 17..... | 81-7145    | Molded Base                 |
| 6.....  | 40-522-4  | Finger                 | 18..... | 62-474-3   | Pole Piece                  |
| 7.....  | 18-1395-2 | Contact Post           | 19..... | 73-1194    | Arc Shield                  |
| 7.....  | 18-1395   | Contact Post           | 20..... | 73-1194-2  | Arc Shield                  |
| 8.....  | 15-797    | Self Locking Cup Nut   | 21..... | 23-3311-3  | Protecting Clip             |
| 9.....  | 69-95     | Spring                 | 23..... | 24-4025-2  | Armature Lever              |
| 10..... |           | Coil                   | 24..... | 49-1204-13 | Spring Gland                |
| 11..... | 69-179    | Spring                 | 25..... | 4416-134   | Washer                      |
| 12..... | 13-3186   | Spring Pin             | 26..... | 13-3239-2  | Shaft                       |
|         |           |                        | 27..... | 80-1696-2  | Power Terminal Pressure Lug |

This document utilizes an interactive table of contents to help you jump from one section to another. Click the button to return to the table of contents.

**RETURN TO  
TABLE OF CONTENTS**

*SAFETY LIMIT STOPS*

*BRAKES*

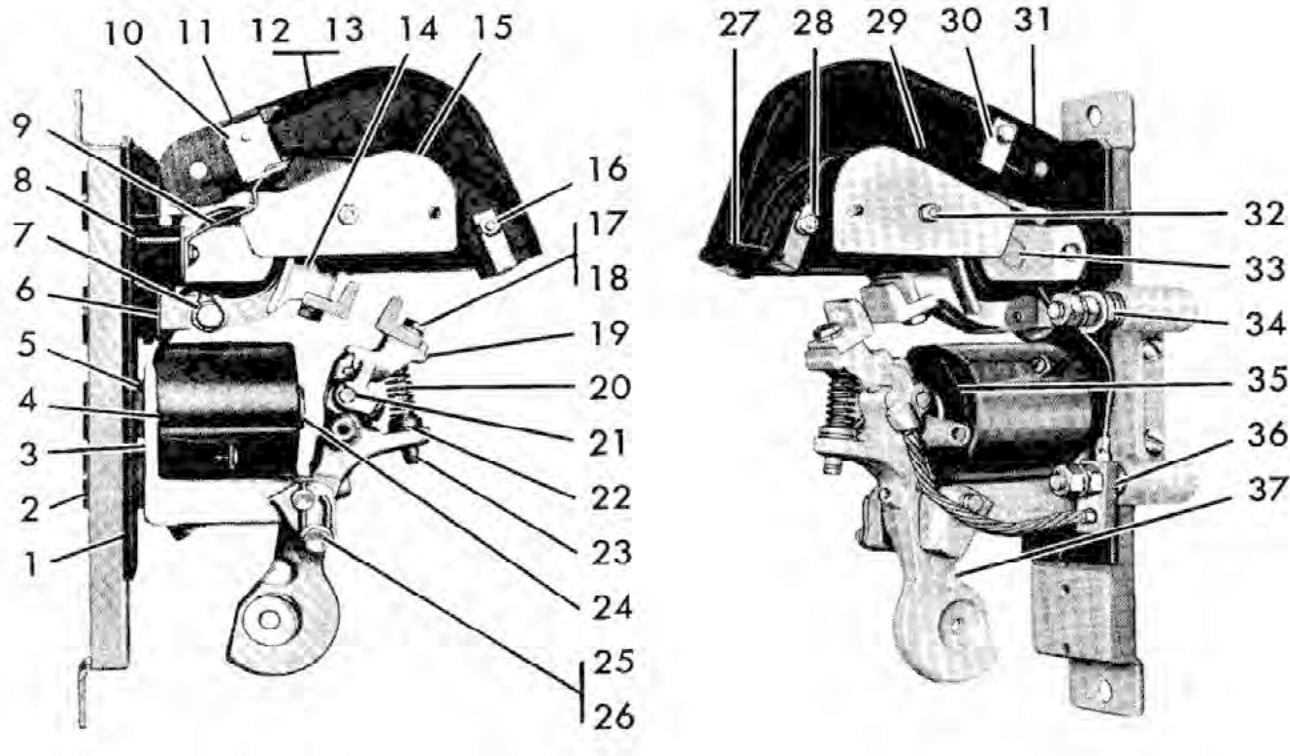
*CONTACTORS*

- No. 369 DC CONTACTOR
- No. 540 100 AMP D-C CONTACTOR
- No. 542 300 AMP D-C CONTACTOR
- No. 545 600 AMP D-C CONTACTOR
- No. 560 100 AMP SPRING CLOSED D-C CONTACTOR
- No. 562 300 AMP SPRING CLOSED D-C CONTACTOR
- No. 565 600 AMP SPRING CLOSED D-C CONTACTOR
- No. 570 100 AMP D-C CONTACTOR
- No. 572 300 AMP D-C CONTACTOR
- No. 575 600 AMP D-C CONTACTOR
- No. 580 100 AMP DOUBLE POLE D-C CONTACTOR
- No. 582 300 AMP DOUBLE POLE D-C CONTACTOR
- No. 590 100 AMP DOUBLE POLE D-C CONTACTOR
- No. 912 50 AMP SINGLE POLE D-C CONTACTOR
- No. 913 100 AMP SINGLE POLE D-C CONTACTOR
- No. 914 150 AMP SINGLE POLE D-C CONTACTOR
- No. 915 300 AMP SINGLE POLE D-C CONTACTOR
- No. 916 600 AMP SINGLE POLE D-C CONTACTOR
- No. 920 810 AMP SINGLE POLE D-C CONTACTOR
- No. 921 810 AMP D-C Lti CONTACTOR
- No. 923 100 AMP SPRING CLOSED D-C CONTACTOR
- No. 924 150 AMP SPRING CLOSED D-C CONTACTOR
- No. 925 300 AMP SPRING CLOSED D-C CONTACTOR
- No. 926 600 AMP SPRING CLOSED D-C CONTACTOR
- No. 932 50 AMP SINGLE POLE D-C Lti CONTACTOR
- No. 933 100 AMP D-C Lti CONTACTOR
- No. 934 150 AMP SINGLE POLE D-C Lti CONTACTOR
- No. 935 300 AMP D-C Lti CONTACTOR
- No. 936 600 AMP SINGLE POLE D-C Lti CONTACTOR
- No. 944 150 AMP TWO-POLE D-C Lti CONTACTOR
- No. 945 300 AMP TWO-POLE D-C Lti CONTACTOR
- No. 952 50 AMP DOUBLE POLE D-C Lti CONTACTOR
- No. 954 150 AMP DOUBLE POLE D-C Lti CONTACTOR
- No. 955 300 AMP TWO-POLE D-C Lti CONTACTOR

*INDEX*



This document utilizes an interactive table of contents to help you jump from one section to another. Click the button to return to the table of contents.



**RETURN TO TABLE OF CONTENTS**

*SAFETY LIMIT STOPS*

*BRAKES*

*CONTACTORS*

- No. 369 DC CONTACTOR
- No. 540 100 AMP D-C CONTACTOR
- No. 542 300 AMP D-C CONTACTOR
- No. 545 600 AMP D-C CONTACTOR
- No. 560 100 AMP SPRING CLOSED D-C CONTACTOR
- No. 562 300 AMP SPRING CLOSED D-C CONTACTOR
- No. 565 600 AMP SPRING CLOSED D-C CONTACTOR
- No. 570 100 AMP D-C CONTACTOR
- No. 572 300 AMP D-C CONTACTOR
- No. 575 600 AMP D-C CONTACTOR
- No. 580 100 AMP DOUBLE POLE D-C CONTACTOR
- No. 582 300 AMP DOUBLE POLE D-C CONTACTOR
- No. 590 100 AMP DOUBLE POLE D-C CONTACTOR
- No. 912 50 AMP SINGLE POLE D-C CONTACTOR
- No. 913 100 AMP SINGLE POLE D-C CONTACTOR
- No. 914 150 AMP SINGLE POLE D-C CONTACTOR
- No. 915 300 AMP SINGLE POLE D-C CONTACTOR
- No. 916 600 AMP SINGLE POLE D-C CONTACTOR
- No. 920 810 AMP SINGLE POLE D-C CONTACTOR
- No. 921 810 AMP D-C Lti CONTACTOR
- No. 923 100 AMP SPRING CLOSED D-C CONTACTOR
- No. 924 150 AMP SPRING CLOSED D-C CONTACTOR
- No. 925 300 AMP SPRING CLOSED D-C CONTACTOR
- No. 926 600 AMP SPRING CLOSED D-C CONTACTOR
- No. 932 50 AMP SINGLE POLE D-C Lti CONTACTOR
- No. 933 100 AMP D-C Lti CONTACTOR
- No. 934 150 AMP SINGLE POLE D-C Lti CONTACTOR
- No. 935 300 AMP D-C Lti CONTACTOR
- No. 936 600 AMP SINGLE POLE D-C Lti CONTACTOR
- No. 944 150 AMP TWO-POLE D-C Lti CONTACTOR
- No. 945 300 AMP TWO-POLE D-C Lti CONTACTOR
- No. 952 50 AMP DOUBLE POLE D-C Lti CONTACTOR
- No. 954 150 AMP DOUBLE POLE D-C Lti CONTACTOR
- No. 955 300 AMP TWO-POLE D-C Lti CONTACTOR

**No. 913 100 Amp Single Pole D-C Contactor**

| ITM     | OEM PART  | DESCRIPTION             | ITM     | OEM PART  | DESCRIPTION               |
|---------|-----------|-------------------------|---------|-----------|---------------------------|
| 1.....  | 56-3671   | Insulator               | 21..... | 13-4330   | Shaft                     |
| 3.....  | 17-7114   | Magnet Frame            | 22..... | 16-320    | Washer .016 Thick         |
| 4.....  |           | Coil                    | 23..... | 13-591    | Adjusting Pin             |
| 5.....  | 16-2315   | Washer                  | 24..... | 51-885    | Core                      |
| 6.....  | 16-2359   | Shim Washer             | 25..... | 13-3859   | Shaft                     |
| 7.....  | 911-5446Z | Screw                   | 26..... | 911-5447Z | Long Hex. Screw           |
| 8.....  | 17-7117   | Moulded Base            | 26..... | 13-3860   | Pin                       |
| 9.....  | 52-859    | Latch                   | 27..... | 73-1630   | Arc Deflector             |
| 10..... | 52-876    | Hasp                    | 28..... | 79-9197-5 | Bracket                   |
| 11..... | 62-446-2  | Arc Shield (Left Hand)  | 29..... | 25-1927   | Connector                 |
| 12..... | 62-562    | Blowout Complete        | 30..... | 19-1248-3 | Clamp                     |
| 13..... | 62-562-2  | Arc Shield, Complete    | 31..... | 62-446    | Arc Shield (Right Hand)   |
| 14..... | 18-1378   | Contact Post            | 32..... | 11-862    | Screw                     |
| 15..... | 62-463    | Pole Piece              | 33..... |           | Blowout Coil              |
| 16..... | 62-444    | Arc Horn                | 34..... | 25-1798   | Connector                 |
| 17..... | 23-812    | Contact, Silver Tipped  | 35..... | 55-1454   | Coil Clamp                |
| 17..... | 23-3514   | Contact                 | 36..... | 24-4123-2 | Contact Lever w/Connector |
| 18..... | 911-5445Z | Long Hex. Screw         | 37..... | 24-4122   | Armature Lever            |
| 19..... | 24-4123   | Contact Lever, Complete | 37..... | 18-1576   | Stop                      |
| 20..... | 69-2375   | Spring                  |         |           |                           |

This document utilizes an interactive table of contents to help you jump from one section to another. Click the button to return to the table of contents.

**RETURN TO TABLE OF CONTENTS**

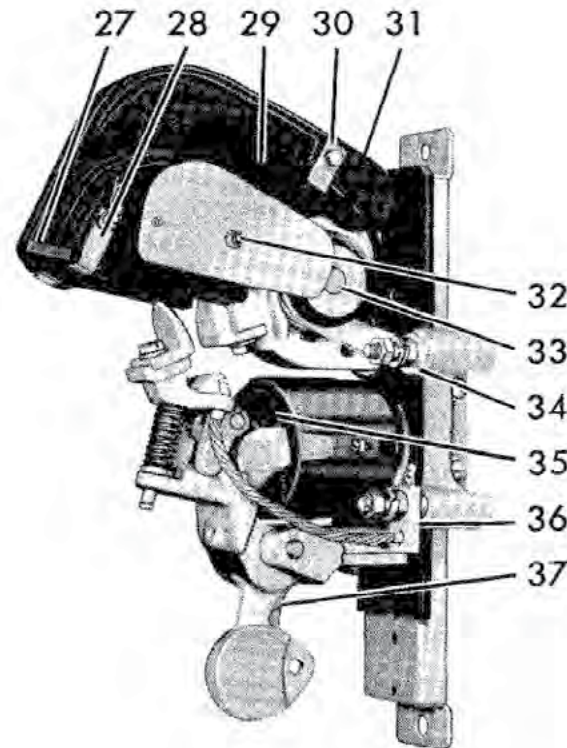
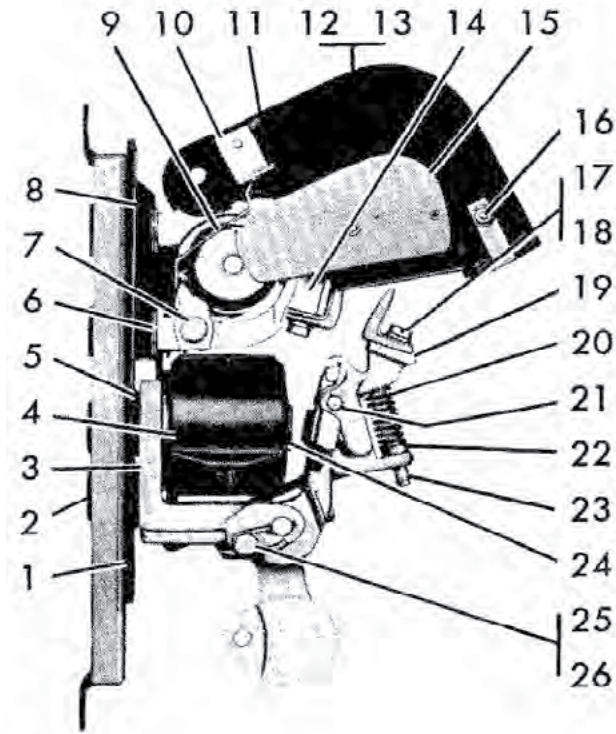
*SAFETY LIMIT STOPS*

*BRAKES*

*CONTACTORS*

- No. 369 DC CONTACTOR
- No. 540 100 AMP D-C CONTACTOR
- No. 542 300 AMP D-C CONTACTOR
- No. 545 600 AMP D-C CONTACTOR
- No. 560 100 AMP SPRING CLOSED D-C CONTACTOR
- No. 562 300 AMP SPRING CLOSED D-C CONTACTOR
- No. 565 600 AMP SPRING CLOSED D-C CONTACTOR
- No. 570 100 AMP D-C CONTACTOR
- No. 572 300 AMP D-C CONTACTOR
- No. 575 600 AMP D-C CONTACTOR
- No. 580 100 AMP DOUBLE POLE D-C CONTACTOR
- No. 582 300 AMP DOUBLE POLE D-C CONTACTOR
- No. 590 100 AMP DOUBLE POLE D-C CONTACTOR
- No. 912 50 AMP SINGLE POLE D-C CONTACTOR
- No. 913 100 AMP SINGLE POLE D-C CONTACTOR
- No. 914 150 AMP SINGLE POLE D-C CONTACTOR
- No. 915 300 AMP SINGLE POLE D-C CONTACTOR
- No. 916 600 AMP SINGLE POLE D-C CONTACTOR
- No. 920 810 AMP SINGLE POLE D-C CONTACTOR
- No. 921 810 AMP D-C Lti CONTACTOR
- No. 923 100 AMP SPRING CLOSED D-C CONTACTOR
- No. 924 150 AMP SPRING CLOSED D-C CONTACTOR
- No. 925 300 AMP SPRING CLOSED D-C CONTACTOR
- No. 926 600 AMP SPRING CLOSED D-C CONTACTOR
- No. 932 50 AMP SINGLE POLE D-C Lti CONTACTOR
- No. 933 100 AMP D-C Lti CONTACTOR
- No. 934 150 AMP SINGLE POLE D-C Lti CONTACTOR
- No. 935 300 AMP D-C Lti CONTACTOR
- No. 936 600 AMP SINGLE POLE D-C Lti CONTACTOR
- No. 944 150 AMP TWO-POLE D-C Lti CONTACTOR
- No. 945 300 AMP TWO-POLE D-C Lti CONTACTOR
- No. 952 50 AMP DOUBLE POLE D-C Lti CONTACTOR
- No. 954 150 AMP DOUBLE POLE D-C Lti CONTACTOR
- No. 955 300 AMP TWO-POLE D-C Lti CONTACTOR

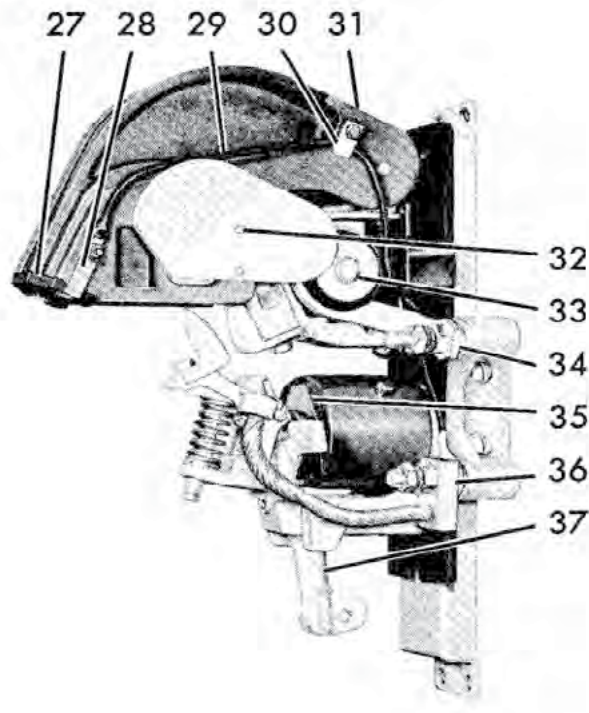
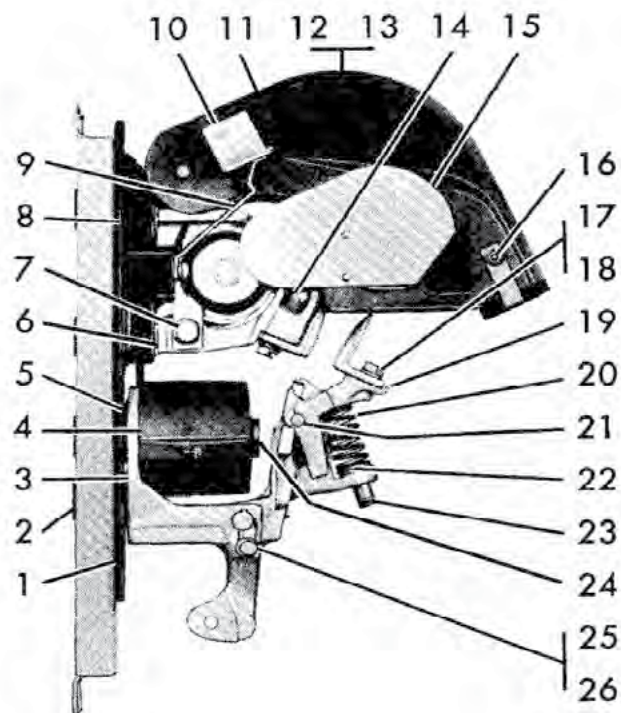
*INDEX*



**No. 914 150 Amp Single Pole D-C Contactor**

| ITM     | OEM PART   | DESCRIPTION            | ITM     | OEM PART  | DESCRIPTION               |
|---------|------------|------------------------|---------|-----------|---------------------------|
| 1.....  | 56-3677    | Insulator              | 21..... | 13-4330   | Shaft                     |
| 3.....  | 17-11147   | Magnet Frame           | 21..... | 29-531    | Retaining Ring            |
| 4.....  |            | Coil                   | 22..... | 16-320    | Washer                    |
| 5.....  | 16-2315    | Washer                 | 23..... | 13-734    | Adjusting Pin             |
| 6.....  | 16-2359    | Shim Washer            | 23..... | 29-531    | Retaining Ring            |
| 7.....  | 911-5607Z  | Hex Screw              | 24..... | 51-881    | Core                      |
| 8.....  | 17-7117    | Moulded Base           | 25..... | 13-3859-2 | Shaft                     |
| 9.....  | 52-877     | Latch                  | 26..... | 13-3860   | Pin                       |
| 10..... | 52-876     | Hasp                   | 27..... | 73-1631   | Arc Deflector             |
| 11..... | 62-439     | Arc Shield L.H.        | 28..... | 79-9197-6 | Bracket                   |
| 12..... | 62-563     | B/O Complete           | 29..... | 25-1927-2 | Connector                 |
| 13..... | 62-563-2   | Arc Shield Complete    | 30..... | 19-1248-3 | Clamp                     |
| 14..... | 18-1376    | Contact Post           | 31..... | 62-432    | Arc Shield R.H.           |
| 15..... | 62-465     | Pole Piece             | 32..... | 11-863    | Screw                     |
| 16..... | 62-431     | Arc Horn               | 33..... | 9-460-434 | Blowout Coil              |
| 17..... | 23-717     | Contact                | 34..... | 25-1790   | Connector                 |
| 17..... | 23-813     | Contact, Silver Faced  | 35..... | 55-1452   | Coil Clamp                |
| 18..... | 911-5606FZ | Contact Screw          | 36..... | 24-4119-2 | Contact Lever w/Connector |
| 19..... | 24-4119    | Contact Lever Complete | 37..... | 24-4130   | Armature Lever            |
| 20..... | 69-432     | Spring                 | 37..... | 18-1576   | Stop                      |





### No. 915 300 Amp Single Pole D-C Contactor

| ITM     | OEM PART  | DESCRIPTION                        | ITM     | OEM PART  | DESCRIPTION                    |
|---------|-----------|------------------------------------|---------|-----------|--------------------------------|
| 01..... | 56-3682   | .....Insulator                     | 22..... | 16-319    | .....Shim Washer               |
| 02..... | 56-2698   | .....Insulator                     | 22..... | 916-225   | .....Shim Washer               |
| 02..... | 16-1837   | .....Disc                          | 23..... | 13-587    | .....Adjusting Pin             |
| 02..... | 56-2698-2 | .....Insulator                     | 23..... | 29-541    | .....Spring Ring               |
| 03..... | 17-7193   | .....Magnet Frame                  | 24..... | 51-896    | .....Core                      |
| 04..... | 9-1589-1  | .....Coil, 230 VDC                 | 25..... | 13-3859-3 | .....Shaft                     |
| 05..... | 16-2315   | .....Washer                        | 26..... | 13-3860   | .....Pin                       |
| 06..... | 16-1879   | .....Shim Washer                   | 26..... | 911-5446Z | .....Screw                     |
| 07..... | 911-373   | .....Long Hex Screw                | 26..... | 916-682Z  | .....Lockwasher                |
| 08..... | 17-7589   | .....Molded Base                   | 26..... | 916-641Z  | .....Washer                    |
| 09..... | 52-880    | .....Latch                         | 27..... | 73-1632   | .....Arc Deflector             |
| 10..... | 52-879    | .....Hasp                          | 28..... | 79-9197-3 | .....Bracket                   |
| 11..... | 62-454-2  | .....Arc Shield (Left Hand)        | 29..... | 25-1927-3 | .....Connector                 |
| 12..... | 62-564    | .....B/O Complete                  | 30..... | 19-1248-3 | .....Clamp                     |
| 13..... | 62-564-2  | .....Arc Shield, Complete          | 31..... | 62-454    | .....Arc Shield (Right Hand)   |
| 14..... | 18-1410   | .....Contact Post w/Copper Contact | 32..... | 916-101   | .....Tooth Lockwasher          |
| 15..... | 62-452    | .....Pole Piece                    | 32..... | 811-1664  | .....Lg. Flathead Screw        |
| 16..... | 62-561    | .....Arc Horn                      | 33..... | 9-460-437 | .....Blowout Coil              |
| 17..... | 23-435    | .....Contact                       | 34..... | 916-231   | .....Lockwasher                |
| 17..... | 23-1042-2 | .....Silver Faced Contact          | 34..... | 911-373   | .....Long Hex Screw            |
| 18..... | 911-5646Z | .....Contact Mounting Screw        | 34..... | 25-1816   | .....Connector                 |
| 19..... | 24-4175   | .....Contact Lever Complete        | 35..... | 55-1451   | .....Coil Clamp                |
| 20..... | 69-58     | .....Spring                        | 36..... | 24-4175-2 | .....Contact Lever w/Connector |
| 21..... | 13-4330-2 | .....Shaft with clips              | 37..... | 18-1576   | .....Stop                      |
| 21..... | 28-42     | .....Retaining Ring                | 37..... | 24-4177   | .....Armature Lever            |
| 22..... | 916-1164Z | .....Shim Washer                   |         |           |                                |

This document utilizes an interactive table of contents to help you jump from one section to another. Click the button to return to the table of contents.

**RETURN TO TABLE OF CONTENTS**

*SAFETY LIMIT STOPS*

*BRAKES*

*CONTACTORS*

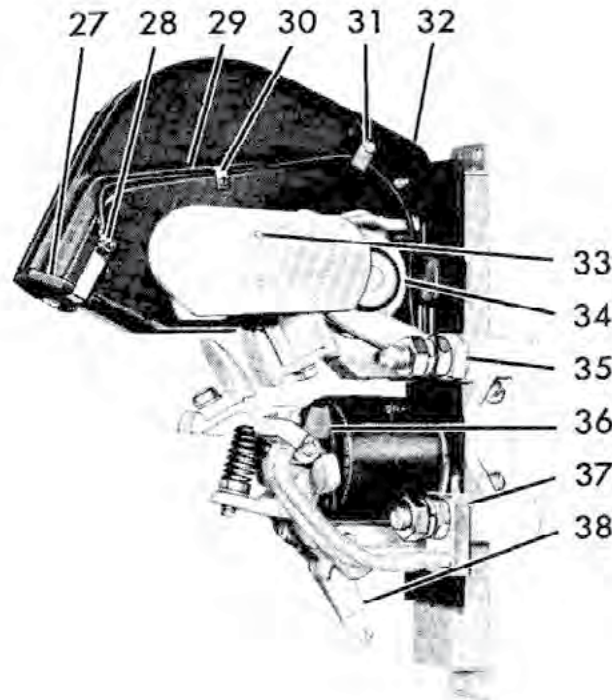
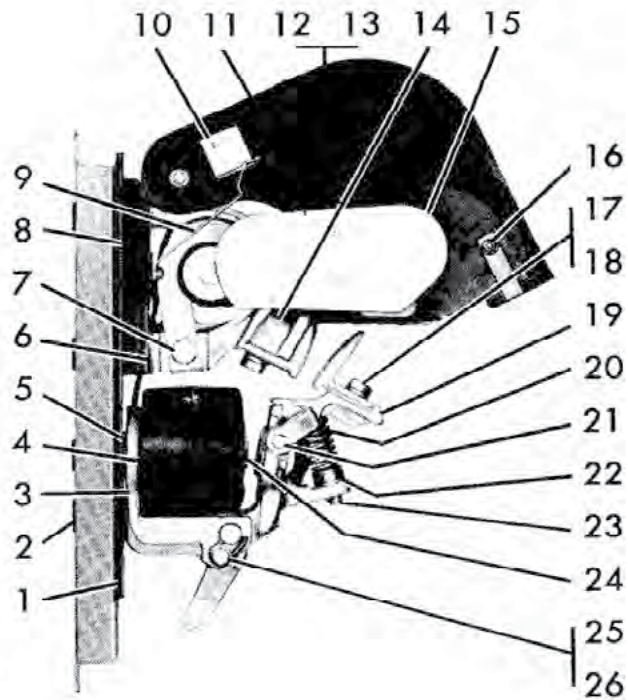
- No. 369 DC CONTACTOR
- No. 540 100 AMP D-C CONTACTOR
- No. 542 300 AMP D-C CONTACTOR
- No. 545 600 AMP D-C CONTACTOR
- No. 560 100 AMP SPRING CLOSED D-C CONTACTOR
- No. 562 300 AMP SPRING CLOSED D-C CONTACTOR
- No. 565 600 AMP SPRING CLOSED D-C CONTACTOR
- No. 570 100 AMP D-C CONTACTOR
- No. 572 300 AMP D-C CONTACTOR
- No. 575 600 AMP D-C CONTACTOR
- No. 580 100 AMP DOUBLE POLE D-C CONTACTOR
- No. 582 300 AMP DOUBLE POLE D-C CONTACTOR
- No. 590 100 AMP DOUBLE POLE D-C CONTACTOR
- No. 912 50 AMP SINGLE POLE D-C CONTACTOR
- No. 913 100 AMP SINGLE POLE D-C CONTACTOR
- No. 914 150 AMP SINGLE POLE D-C CONTACTOR
- No. 915 300 AMP SINGLE POLE D-C CONTACTOR
- No. 916 600 AMP SINGLE POLE D-C CONTACTOR
- No. 920 810 AMP SINGLE POLE D-C CONTACTOR
- No. 921 810 AMP D-C Lti CONTACTOR
- No. 923 100 AMP SPRING CLOSED D-C CONTACTOR
- No. 924 150 AMP SPRING CLOSED D-C CONTACTOR
- No. 925 300 AMP SPRING CLOSED D-C CONTACTOR
- No. 926 600 AMP SPRING CLOSED D-C CONTACTOR
- No. 932 50 AMP SINGLE POLE D-C Lti CONTACTOR
- No. 933 100 AMP D-C Lti CONTACTOR
- No. 934 150 AMP SINGLE POLE D-C Lti CONTACTOR
- No. 935 300 AMP D-C Lti CONTACTOR
- No. 936 600 AMP SINGLE POLE D-C Lti CONTACTOR
- No. 944 150 AMP TWO--POLE D-C Lti CONTACTOR
- No. 945 300 AMP TWO--POLE D-C Lti CONTACTOR
- No. 952 50 AMP DOUBLE POLE D-C Lti CONTACTOR
- No. 954 150 AMP DOUBLE POLE D-C Lti CONTACTOR
- No. 955 300 AMP TWO--POLE D-C Lti CONTACTOR

*INDEX*



This document utilizes an interactive table of contents to help you jump from one section to another. Click the button to return to the table of contents.

**RETURN TO TABLE OF CONTENTS**



### No. 916 600 Amp Single Pole D-C Contactor

| ITM     | OEM PART  | DESCRIPTION             | ITM     | OEM PART   | DESCRIPTION               |
|---------|-----------|-------------------------|---------|------------|---------------------------|
| 1.....  | 56-3686   | Insulator               | 21..... | 29-1264    | Retaining Ring            |
| 3.....  | 17-7275   | Magnet Frame            | 21..... | 13-4330-3  | Shaft                     |
| 4.....  |           | Coil                    | 22..... | 916-1164Z  | Shim Washer .016 Thick    |
| 5.....  | 16-2315   | Washer                  | 23..... | 29-541     | Spring Ring               |
| 5.....  | 16-2316   | Washer (Top)            | 23..... | 13-593     | Adjusting Pin             |
| 6.....  | 16-1879   | Shim Washer             | 24..... | 51-979     | Core                      |
| 7.....  | 911-5890Z | Screw                   | 25..... | 13-3859-4  | Shaft                     |
| 8.....  | 17-7340   | Moulded Base            | 26..... | 911-5606Z  | Contact Screw             |
| 9.....  | 52-853    | Latch                   | 26..... | 13-3862    | Pin                       |
| 10..... | 52-879    | Hasp                    | 27..... | 73-1633    | Arc Deflector             |
| 12..... | 62-565    | Blowout Complete        | 28..... | 79-9197-4  | Bracket                   |
| 13..... | 62-565-3  | Arc Shield Complete     | 29..... | 25-1927-4  | Connector                 |
| 14..... | 18-1417   | Contact Post            | 30..... | 79-4180-26 | Clamp                     |
| 15..... | 62-457    | Pole Piece              | 31..... | 19-1248-3  | Clamp                     |
| 15..... | 62-459    | Inner Arc Shield        | 33..... | 11-863     | Screw                     |
| 15..... | 19-945-7  | Strap                   | 34..... | 9-460-438  | Blowout Coil              |
| 16..... | 62-561-2  | Arc Horn                | 35..... | 25-1850    | Connector                 |
| 17..... | 23-1288   | Contact w/Silver Insert | 36..... | 55-1553    | Coil Clamp                |
| 17..... | 23-4026   | Contact                 | 37..... | 24-4205-2  | Contact Lever w/Connector |
| 18..... | 911-5888Z | Contact Mounting Screw  | 38..... | 18-1576    | Stop                      |
| 19..... | 24-4205   | Contact Lever Complete  | 38..... | 24-4206-2  | Armature Lever            |
| 20..... | 69-2376   | Spring                  |         |            |                           |

*SAFETY LIMIT STOPS*

*BRAKES*

*CONTACTORS*

- No. 369 DC CONTACTOR
- No. 540 100 AMP D-C CONTACTOR
- No. 542 300 AMP D-C CONTACTOR
- No. 545 600 AMP D-C CONTACTOR
- No. 560 100 AMP SPRING CLOSED D-C CONTACTOR
- No. 562 300 AMP SPRING CLOSED D-C CONTACTOR
- No. 565 600 AMP SPRING CLOSED D-C CONTACTOR
- No. 570 100 AMP D-C CONTACTOR
- No. 572 300 AMP D-C CONTACTOR
- No. 575 600 AMP D-C CONTACTOR
- No. 580 100 AMP DOUBLE POLE D-C CONTACTOR
- No. 582 300 AMP DOUBLE POLE D-C CONTACTOR
- No. 590 100 AMP DOUBLE POLE D-C CONTACTOR
- No. 912 50 AMP SINGLE POLE D-C CONTACTOR
- No. 913 100 AMP SINGLE POLE D-C CONTACTOR
- No. 914 150 AMP SINGLE POLE D-C CONTACTOR
- No. 915 300 AMP SINGLE POLE D-C CONTACTOR
- No. 916 600 AMP SINGLE POLE D-C CONTACTOR
- No. 920 810 AMP SINGLE POLE D-C CONTACTOR
- No. 921 810 AMP D-C Lti CONTACTOR
- No. 923 100 AMP SPRING CLOSED D-C CONTACTOR
- No. 924 150 AMP SPRING CLOSED D-C CONTACTOR
- No. 925 300 AMP SPRING CLOSED D-C CONTACTOR
- No. 926 600 AMP SPRING CLOSED D-C CONTACTOR
- No. 932 50 AMP SINGLE POLE D-C Lti CONTACTOR
- No. 933 100 AMP D-C Lti CONTACTOR
- No. 934 150 AMP SINGLE POLE D-C Lti CONTACTOR
- No. 935 300 AMP D-C Lti CONTACTOR
- No. 936 600 AMP SINGLE POLE D-C Lti CONTACTOR
- No. 944 150 AMP TWO-POLE D-C Lti CONTACTOR
- No. 945 300 AMP TWO-POLE D-C Lti CONTACTOR
- No. 952 50 AMP DOUBLE POLE D-C Lti CONTACTOR
- No. 954 150 AMP DOUBLE POLE D-C Lti CONTACTOR
- No. 955 300 AMP TWO-POLE D-C Lti CONTACTOR

# O.C.C. REPLACEMENT PARTS FOR CUTLER HAMMER

This document utilizes an interactive table of contents to help you jump from one section to another. Click the button to return to the table of contents.

**RETURN TO  
TABLE OF CONTENTS**

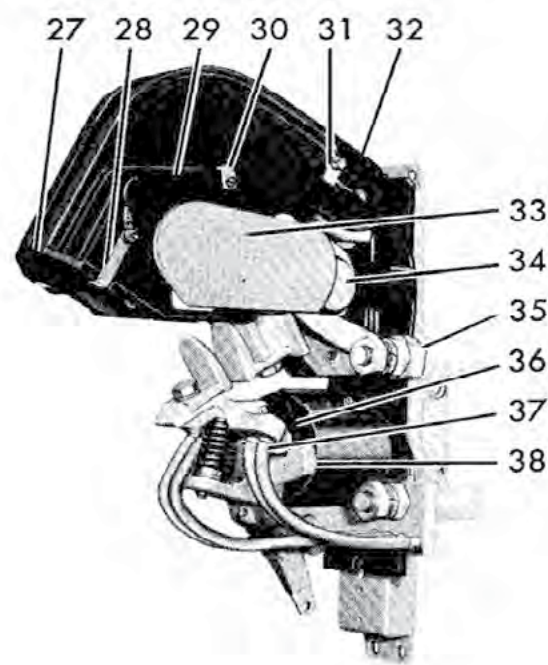
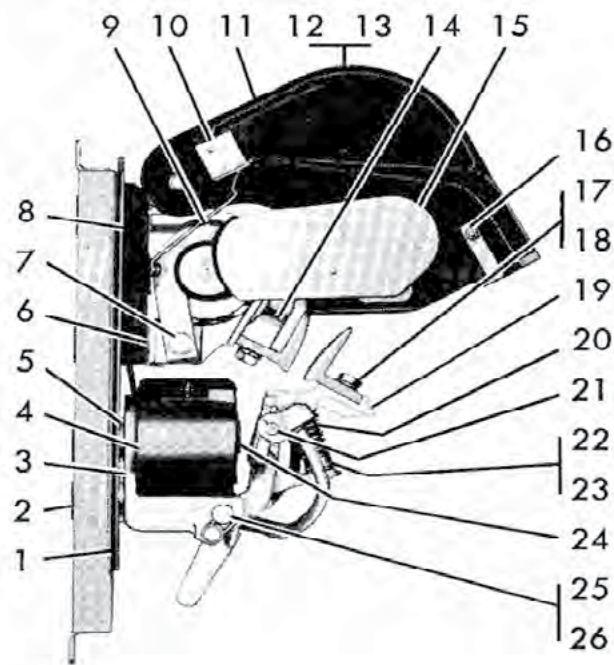
*SAFETY LIMIT STOPS*

*BRAKES*

*CONTACTORS*

- No. 369 DC CONTACTOR
- No. 540 100 AMP D-C CONTACTOR
- No. 542 300 AMP D-C CONTACTOR
- No. 545 600 AMP D-C CONTACTOR
- No. 560 100 AMP SPRING CLOSED D-C CONTACTOR
- No. 562 300 AMP SPRING CLOSED D-C CONTACTOR
- No. 565 600 AMP SPRING CLOSED D-C CONTACTOR
- No. 570 100 AMP D-C CONTACTOR
- No. 572 300 AMP D-C CONTACTOR
- No. 575 600 AMP D-C CONTACTOR
- No. 580 100 AMP DOUBLE POLE D-C CONTACTOR
- No. 582 300 AMP DOUBLE POLE D-C CONTACTOR
- No. 590 100 AMP DOUBLE POLE D-C CONTACTOR
- No. 912 50 AMP SINGLE POLE D-C CONTACTOR
- No. 913 100 AMP SINGLE POLE D-C CONTACTOR
- No. 914 150 AMP SINGLE POLE D-C CONTACTOR
- No. 915 300 AMP SINGLE POLE D-C CONTACTOR
- No. 916 600 AMP SINGLE POLE D-C CONTACTOR
- No. 920 810 AMP SINGLE POLE D-C CONTACTOR
- No. 921 810 AMP D-C Lti CONTACTOR
- No. 923 100 AMP SPRING CLOSED D-C CONTACTOR
- No. 924 150 AMP SPRING CLOSED D-C CONTACTOR
- No. 925 300 AMP SPRING CLOSED D-C CONTACTOR
- No. 926 600 AMP SPRING CLOSED D-C CONTACTOR
- No. 932 50 AMP SINGLE POLE D-C Lti CONTACTOR
- No. 933 100 AMP D-C Lti CONTACTOR
- No. 934 150 AMP SINGLE POLE D-C Lti CONTACTOR
- No. 935 300 AMP D-C Lti CONTACTOR
- No. 936 600 AMP SINGLE POLE D-C Lti CONTACTOR
- No. 944 150 AMP TWO-POLE D-C Lti CONTACTOR
- No. 945 300 AMP TWO-POLE D-C Lti CONTACTOR
- No. 952 50 AMP DOUBLE POLE D-C Lti CONTACTOR
- No. 954 150 AMP DOUBLE POLE D-C Lti CONTACTOR
- No. 955 300 AMP TWO-POLE D-C Lti CONTACTOR

*INDEX*



## No. 920 810 Amp Single Pole D-C Contactor

| ITM     | OEM PART  | DESCRIPTION             | ITM     | OEM PART   | DESCRIPTION            |
|---------|-----------|-------------------------|---------|------------|------------------------|
| 1.....  | 56-3686   | Insulator               | 19..... | 24-4584    | Contact Lever Complete |
| 2.....  | 56-2698-2 | Insulator               | 20..... | 69-2376    | Spring                 |
| 3.....  | 17-7275   | Magnet Frame            | 21..... | 13-4330-3  | Shaft                  |
| 4.....  |           | Coil                    | 21..... | 29-1264    | Retaining Ring         |
| 5.....  | 16-2315   | Washer                  | 22..... | 916-1164Z  | Shim Washer            |
| 5.....  | 16-2316   | Washer (Top)            | 23..... | 13-593     | Adjusting Pin          |
| 6.....  | 16-1879   | Shim Washer             | 23..... | 29-541     | Spring Ring            |
| 7.....  | 911-5890Z | Screw                   | 24..... | 51-979     | Core                   |
| 8.....  | 17-7340   | Moulded Base            | 25..... | 13-3859-4  | Shaft                  |
| 9.....  | 52-853    | Latch                   | 26..... | 13-3862    | Pin                    |
| 10..... | 52-879    | Hasp                    | 27..... | 73-1633    | Arc Deflector          |
| 11..... | 62-460-2  | Arc Shield L.H.         | 28..... | 79-9197-4  | Bracket                |
| 12..... | 62-565-2  | Blowout Complete        | 29..... | 25-1927-4  | Connector              |
| 13..... | 62-565-3  | Arc Shield Complete     | 30..... | 79-4180-26 | Clamp                  |
| 14..... | 18-1417   | Contact Post            | 31..... | 19-1248-3  | Clamp                  |
| 15..... | 19-945-7  | Strap                   | 32..... | 62-460     | Arc Shield R.H.        |
| 15..... | 62-457    | Pole Piece              | 33..... | 11-863     | Screw                  |
| 15..... | 62-459    | Inner Arc Shield        | 34..... | 9-460-447  | Blowout Coil           |
| 16..... | 62-561-2  | Arc Horn                | 35..... | 25-1850    | Connector              |
| 17..... | 23-1288   | Contact w/Silver Insert | 36..... | 55-1553    | Coil Clamp             |
| 17..... | 23-4026   | Contact                 | 37..... | 24-4584-2  | Contact Lever          |
| 18..... | 911-5888Z | Contact Mounting Screw  | 38..... | 24-4585    | Armature Lever         |
| 18..... | 23-1288   | Contact w/Silver Insert |         |            |                        |



This document utilizes an interactive table of contents to help you jump from one section to another. Click the button to return to the table of contents.

**RETURN TO TABLE OF CONTENTS**

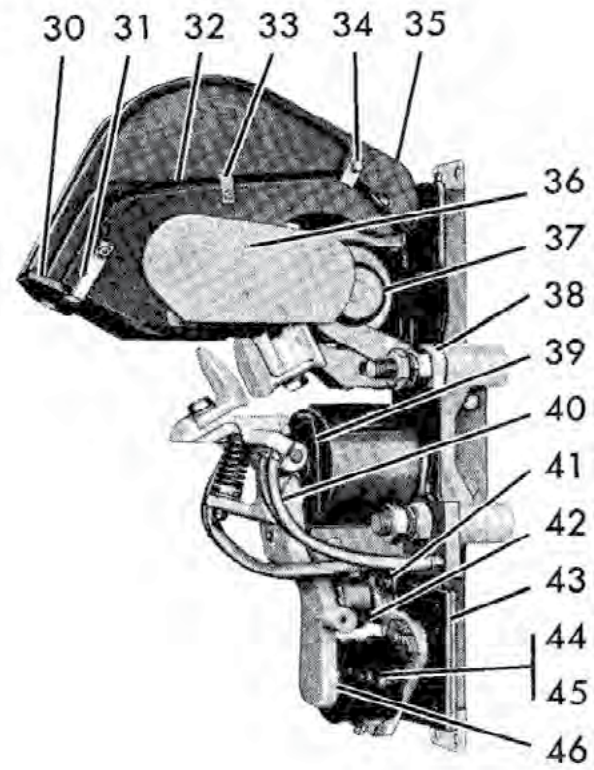
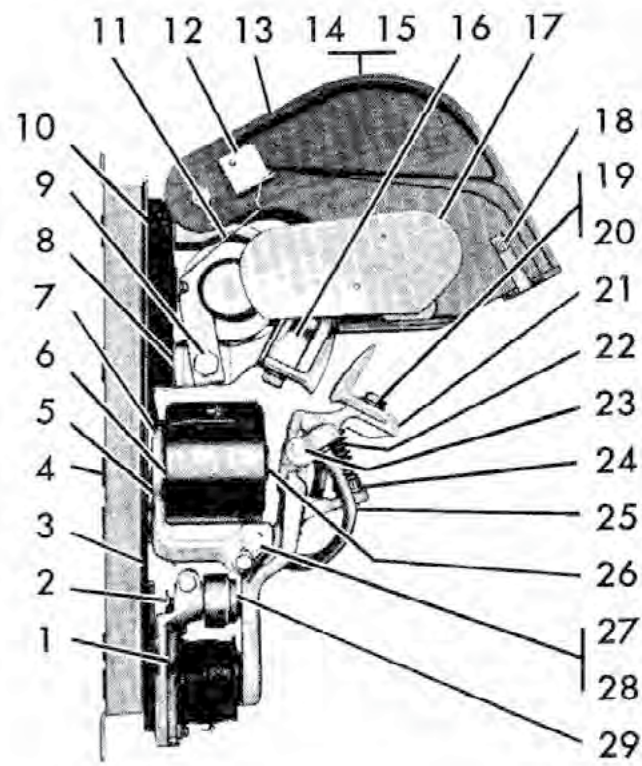
*SAFETY LIMIT STOPS*

*BRAKES*

*CONTACTORS*

- No. 369 DC CONTACTOR
- No. 540 100 AMP D-C CONTACTOR
- No. 542 300 AMP D-C CONTACTOR
- No. 545 600 AMP D-C CONTACTOR
- No. 560 100 AMP SPRING CLOSED D-C CONTACTOR
- No. 562 300 AMP SPRING CLOSED D-C CONTACTOR
- No. 565 600 AMP SPRING CLOSED D-C CONTACTOR
- No. 570 100 AMP D-C CONTACTOR
- No. 572 300 AMP D-C CONTACTOR
- No. 575 600 AMP D-C CONTACTOR
- No. 580 100 AMP DOUBLE POLE D-C CONTACTOR
- No. 582 300 AMP DOUBLE POLE D-C CONTACTOR
- No. 590 100 AMP DOUBLE POLE D-C CONTACTOR
- No. 912 50 AMP SINGLE POLE D-C CONTACTOR
- No. 913 100 AMP SINGLE POLE D-C CONTACTOR
- No. 914 150 AMP SINGLE POLE D-C CONTACTOR
- No. 915 300 AMP SINGLE POLE D-C CONTACTOR
- No. 916 600 AMP SINGLE POLE D-C CONTACTOR
- No. 920 810 AMP SINGLE POLE D-C CONTACTOR
- No. 921 810 AMP D-C Lti CONTACTOR
- No. 923 100 AMP SPRING CLOSED D-C CONTACTOR
- No. 924 150 AMP SPRING CLOSED D-C CONTACTOR
- No. 925 300 AMP SPRING CLOSED D-C CONTACTOR
- No. 926 600 AMP SPRING CLOSED D-C CONTACTOR
- No. 932 50 AMP SINGLE POLE D-C Lti CONTACTOR
- No. 933 100 AMP D-C Lti CONTACTOR
- No. 934 150 AMP SINGLE POLE D-C Lti CONTACTOR
- No. 935 300 AMP D-C Lti CONTACTOR
- No. 936 600 AMP SINGLE POLE D-C Lti CONTACTOR
- No. 944 150 AMP TWO-POLE D-C Lti CONTACTOR
- No. 945 300 AMP TWO-POLE D-C Lti CONTACTOR
- No. 952 50 AMP DOUBLE POLE D-C Lti CONTACTOR
- No. 954 150 AMP DOUBLE POLE D-C Lti CONTACTOR
- No. 955 300 AMP TWO-POLE D-C Lti CONTACTOR

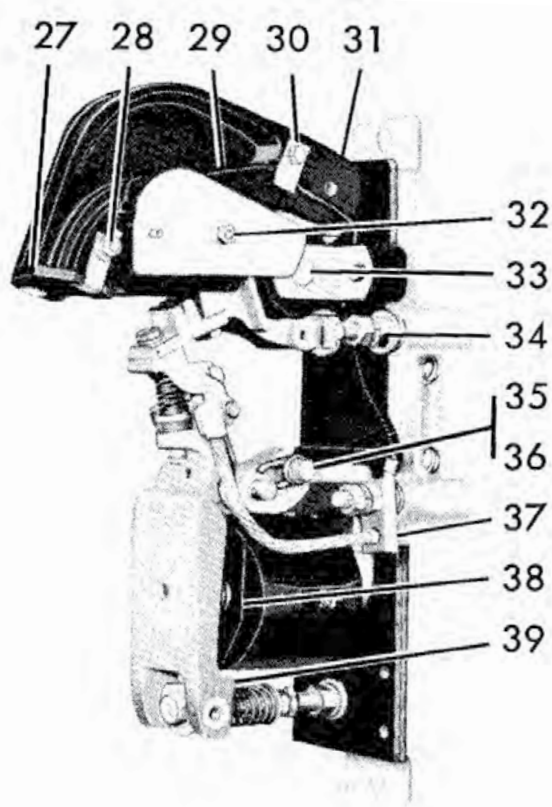
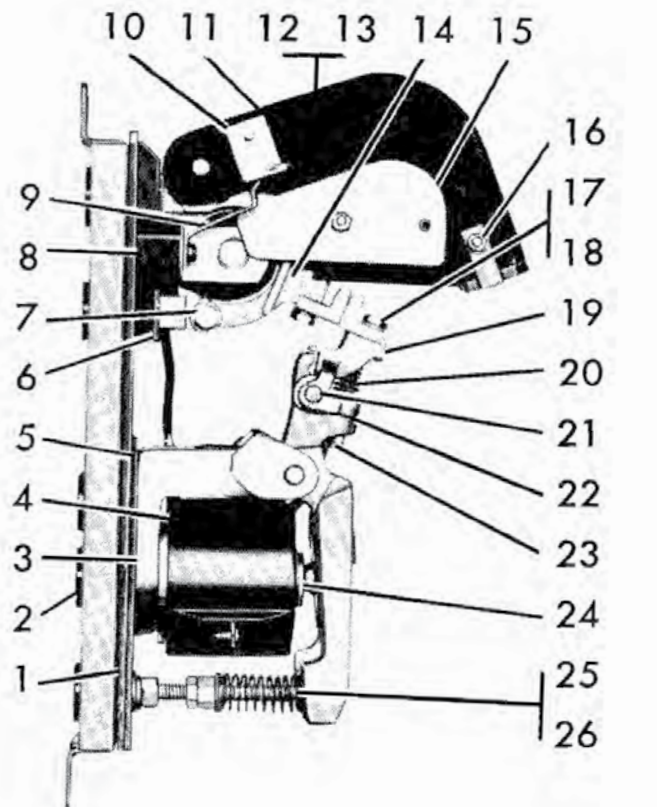
*INDEX*



**No. 921 810 Amp D-C Lti Contactor**

| ITM     | OEM PART  | DESCRIPTION             | ITM     | OEM PART   | DESCRIPTION            |
|---------|-----------|-------------------------|---------|------------|------------------------|
| 1.....  | 19-1367   | Shim                    | 21..... | 24-4584    | Contact Lever Complete |
| 2.....  | 11-1062   | Adjusting Screw         | 22..... | 69-2376    | Spring                 |
| 3.....  | 56-3690   | Insulator               | 23..... | 13-4330-3  | Shaft                  |
| 4.....  | 56-2698   | Insulator               | 24..... | 916-1164Z  | Shim Washer .016 Thick |
| 5.....  | 17-7275   | Magnet Frame            | 25..... | 13-593     | Adjusting Pin          |
| 6.....  |           | Coil                    | 26..... | 51-979     | Core                   |
| 7.....  | 16-2316   | Washer (Top)            | 27..... | 13-3859-4  | Shaft                  |
| 7.....  | 16-2315   | Washer                  | 28..... | 13-3862    | Pin                    |
| 8.....  | 16-1879   | Shim Washer             | 29..... | 911-679    | Adjusting Screw        |
| 9.....  | 911-5890Z | Screw                   | 30..... | 73-1633    | Arc Deflector          |
| 10..... | 17-7340   | Molded Base             | 31..... | 79-9197-4  | Bracket                |
| 11..... | 52-853    | Latch                   | 32..... | 25-1927-4  | Connector              |
| 12..... | 52-879    | Hasp                    | 33..... | 79-4180-26 | Clamp                  |
| 13..... | 62-460-2  | Arc Shield L.H.         | 34..... | 19-1248-3  | Clamp                  |
| 14..... | 62-565-2  | Blowout Complete        | 35..... | 62-460     | Arc Shield R.H.        |
| 15..... | 62-565-3  | Arc Shield Complete     | 37..... | 9-460-447  | Blowout Coil           |
| 16..... | 18-1417   | Contact Post            | 38..... | 25-1850    | Connector              |
| 17..... | 62-457    | Pole Piece              | 39..... | 55-1553    | Coil Clamp             |
| 17..... | 19-945-7  | Strap                   | 40..... | 24-4584-2  | Contact Lever          |
| 17..... | 62-459    | Inner Arc Shield        | 41..... | 17-7625    | Base                   |
| 18..... | 62-561-2  | Arc Horn                | 42..... | 1315-1     | Shunt Nut              |
| 19..... | 23-1288   | Contact w/Silver Insert | 43..... | 56-3689    | Insulator              |
| 19..... | 23-4026   | Contact                 | 44..... |            | Coil                   |
| 20..... | 911-5888Z | Contact Mounting Screw  | 45..... | 18-1342-2  | Hold Out Coil Post     |
| 20..... | 916-199   | Lockwasher              | 46..... | 24-4678    | Armature Lever         |

# O.C.C. REPLACEMENT PARTS FOR CUTLER HAMMER



## No. 923 100 Amp Spring Closed D-C Contactor

| ITM     | OEM PART  | DESCRIPTION             | ITM     | OEM PART   | DESCRIPTION               |
|---------|-----------|-------------------------|---------|------------|---------------------------|
| 1.....  | 56-3673   | Insulator               | 21..... | 29-531     | Retaining Ring            |
| 2.....  | 56-2698   | Insulator               | 22..... | 16-320     | Washer                    |
| 3.....  | 17-11147  | Magnet Frame            | 23..... | 13-591     | Adjusting Pin             |
| 4.....  |           | Coil                    | 23..... | 29-531     | Retaining Ring            |
| 5.....  | 56-3672   | Insulator               | 24..... | 51-884     | Core                      |
| 6.....  | 16-2359   | Shim Washer             | 25..... | 69-2096    | Spring                    |
| 7.....  | 911-5446Z | Screw                   | 26..... | 18-1492-3  | Stop                      |
| 8.....  | 17-7117   | Molded Base             | 26..... | 49-1204-27 | Spring Gland              |
| 9.....  | 52-859    | Latch                   | 27..... | 73-1630    | Arc Deflector             |
| 10..... | 52-876    | Hasp                    | 28..... | 79-9197-5  | Bracket                   |
| 11..... | 62-446-2  | Arc Shield (Left Hand)  | 29..... | 25-1927    | Connector                 |
| 12..... | 62-562    | Blowout, Complete       | 30..... | 19-1248-3  | Clamp                     |
| 13..... | 62-562-2  | Arc Shield, Complete    | 31..... | 62-446     | Arc Shield (Right Hand)   |
| 14..... | 18-1378   | Contact Post            | 32..... | 911-2104Z  | Screw                     |
| 15..... | 62-463    | Pole Piece              | 33..... |            | B/O Coil                  |
| 16..... | 62-444    | Arc Horn                | 34..... | 25-1798    | Connector                 |
| 17..... | 23-812    | Contact w/Silver Insert | 35..... | 13-3860    | Pin                       |
| 17..... | 23-3514   | Contact                 | 36..... | 13-3859-2  | Shaft                     |
| 18..... | 911-5445Z | Long Hex. Screw         | 37..... | 24-4123-4  | Contact Lever w/Connector |
| 19..... | 24-4123-3 | Contact Lever Complete  | 38..... | 55-1452    | Coil Clamp                |
| 20..... | 69-2375   | Spring                  | 39..... | 24-4125    | Armature Lever            |
| 21..... | 13-4330   | Shaft                   | 39..... | 51-181     | Core Plug                 |

This document utilizes an interactive table of contents to help you jump from one section to another. Click the button to return to the table of contents.

**RETURN TO  
TABLE OF CONTENTS**

### SAFETY LIMIT STOPS

### BRAKES

### CONTACTORS

- No. 369 DC CONTACTOR
- No. 540 100 AMP D-C CONTACTOR
- No. 542 300 AMP D-C CONTACTOR
- No. 545 600 AMP D-C CONTACTOR
- No. 560 100 AMP SPRING CLOSED D-C CONTACTOR
- No. 562 300 AMP SPRING CLOSED D-C CONTACTOR
- No. 565 600 AMP SPRING CLOSED D-C CONTACTOR
- No. 570 100 AMP D-C CONTACTOR
- No. 572 300 AMP D-C CONTACTOR
- No. 575 600 AMP D-C CONTACTOR
- No. 580 100 AMP DOUBLE POLE D-C CONTACTOR
- No. 582 300 AMP DOUBLE POLE D-C CONTACTOR
- No. 590 100 AMP DOUBLE POLE D-C CONTACTOR
- No. 912 50 AMP SINGLE POLE D-C CONTACTOR
- No. 913 100 AMP SINGLE POLE D-C CONTACTOR
- No. 914 150 AMP SINGLE POLE D-C CONTACTOR
- No. 915 300 AMP SINGLE POLE D-C CONTACTOR
- No. 916 600 AMP SINGLE POLE D-C CONTACTOR
- No. 920 810 AMP SINGLE POLE D-C CONTACTOR
- No. 921 810 AMP D-C Lti CONTACTOR
- No. 923 100 AMP SPRING CLOSED D-C CONTACTOR
- No. 924 150 AMP SPRING CLOSED D-C CONTACTOR
- No. 925 300 AMP SPRING CLOSED D-C CONTACTOR
- No. 926 600 AMP SPRING CLOSED D-C CONTACTOR
- No. 932 50 AMP SINGLE POLE D-C Lti CONTACTOR
- No. 933 100 AMP D-C Lti CONTACTOR
- No. 934 150 AMP SINGLE POLE D-C Lti CONTACTOR
- No. 935 300 AMP D-C Lti CONTACTOR
- No. 936 600 AMP SINGLE POLE D-C Lti CONTACTOR
- No. 944 150 AMP TWO-POLE D-C Lti CONTACTOR
- No. 945 300 AMP TWO-POLE D-C Lti CONTACTOR
- No. 952 50 AMP DOUBLE POLE D-C Lti CONTACTOR
- No. 954 150 AMP DOUBLE POLE D-C Lti CONTACTOR
- No. 955 300 AMP TWO-POLE D-C Lti CONTACTOR

INDEX



This document utilizes an interactive table of contents to help you jump from one section to another. Click the button to return to the table of contents.

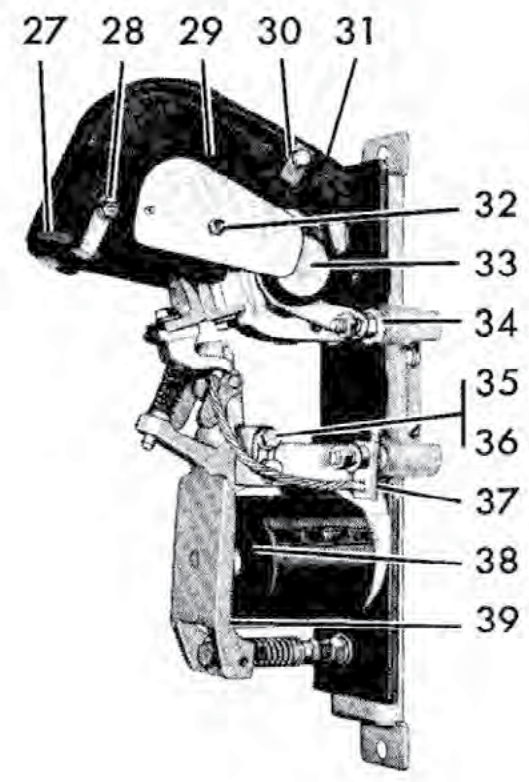
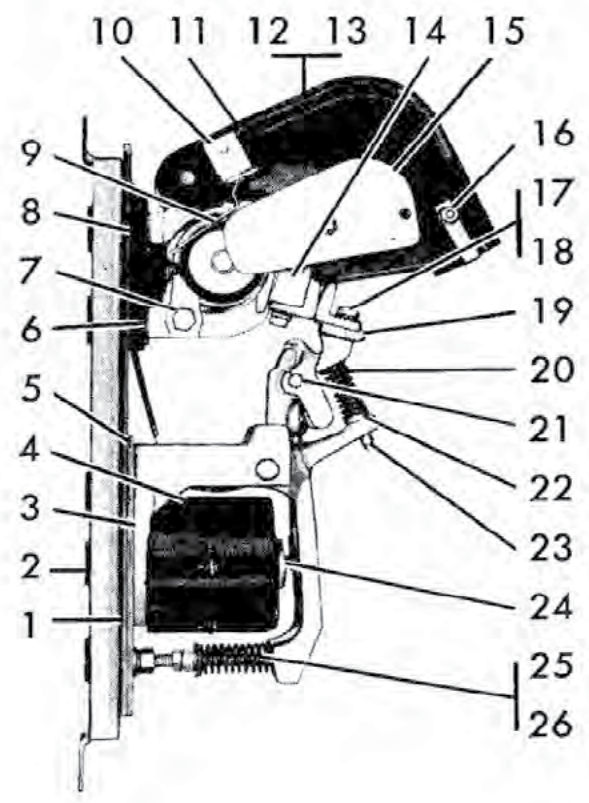
**RETURN TO TABLE OF CONTENTS**

*SAFETY LIMIT STOPS*

*BRAKES*

*CONTACTORS*

- No. 369 DC CONTACTOR
- No. 540 100 AMP D-C CONTACTOR
- No. 542 300 AMP D-C CONTACTOR
- No. 545 600 AMP D-C CONTACTOR
- No. 560 100 AMP SPRING CLOSED D-C CONTACTOR
- No. 562 300 AMP SPRING CLOSED D-C CONTACTOR
- No. 565 600 AMP SPRING CLOSED D-C CONTACTOR
- No. 570 100 AMP D-C CONTACTOR
- No. 572 300 AMP D-C CONTACTOR
- No. 575 600 AMP D-C CONTACTOR
- No. 580 100 AMP DOUBLE POLE D-C CONTACTOR
- No. 582 300 AMP DOUBLE POLE D-C CONTACTOR
- No. 590 100 AMP DOUBLE POLE D-C CONTACTOR
- No. 912 50 AMP SINGLE POLE D-C CONTACTOR
- No. 913 100 AMP SINGLE POLE D-C CONTACTOR
- No. 914 150 AMP SINGLE POLE D-C CONTACTOR
- No. 915 300 AMP SINGLE POLE D-C CONTACTOR
- No. 916 600 AMP SINGLE POLE D-C CONTACTOR
- No. 920 810 AMP SINGLE POLE D-C CONTACTOR
- No. 921 810 AMP D-C Lti CONTACTOR
- No. 923 100 AMP SPRING CLOSED D-C CONTACTOR
- No. 924 150 AMP SPRING CLOSED D-C CONTACTOR
- No. 925 300 AMP SPRING CLOSED D-C CONTACTOR
- No. 926 600 AMP SPRING CLOSED D-C CONTACTOR
- No. 932 50 AMP SINGLE POLE D-C Lti CONTACTOR
- No. 933 100 AMP D-C Lti CONTACTOR
- No. 934 150 AMP SINGLE POLE D-C Lti CONTACTOR
- No. 935 300 AMP D-C Lti CONTACTOR
- No. 936 600 AMP SINGLE POLE D-C Lti CONTACTOR
- No. 944 150 AMP TWO-POLE D-C Lti CONTACTOR
- No. 945 300 AMP TWO-POLE D-C Lti CONTACTOR
- No. 952 50 AMP DOUBLE POLE D-C Lti CONTACTOR
- No. 954 150 AMP DOUBLE POLE D-C Lti CONTACTOR
- No. 955 300 AMP TWO-POLE D-C Lti CONTACTOR



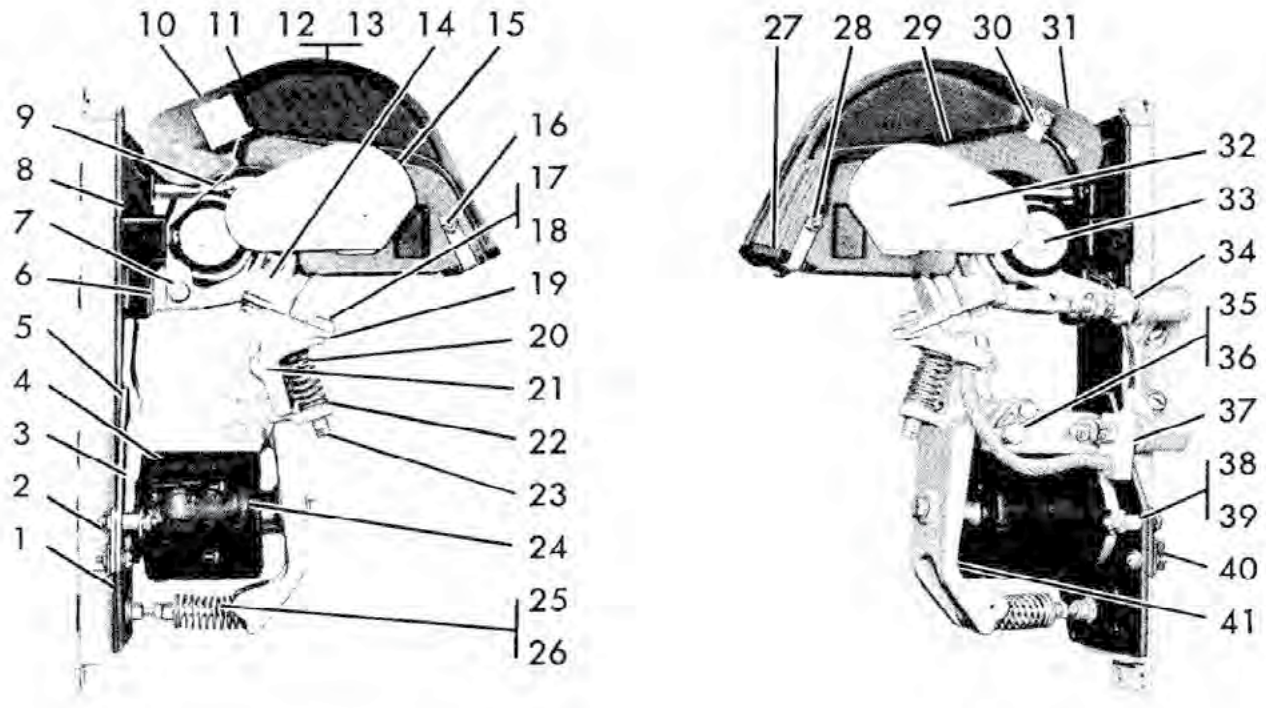
**No. 924 150 Amp Spring Closed D-C Contactor**

| ITM     | OEM PART   | DESCRIPTION            | ITM     | OEM PART   | DESCRIPTION       |
|---------|------------|------------------------|---------|------------|-------------------|
| 1.....  | 56-3679    | Insulator              | 22..... | 16-320     | Washer .016 Thick |
| 2.....  | 56-2698    | Insulator              | 23..... | 13-734     | Adjusting Pin     |
| 3.....  | 17-7193    | Magnet Frame           | 23..... | 29-531     | Retaining Ring    |
| 4.....  |            | Coil                   | 24..... | 51-888     | Core              |
| 4.....  | 56-3482    | Insulating Washer      | 25..... | 69-2112    | Spring            |
| 5.....  | 56-3678    | Insulator              | 26..... | 49-1204-27 | Spring Gland      |
| 6.....  | 16-2359    | Shim Washer            | 26..... | 915-220    | Jam Nut           |
| 7.....  | 911-5607Z  | Hex Screw              | 26..... | 915-1004Z  | Nut               |
| 8.....  | 17-7117    | Moulded Base           | 26..... | 18-1492    | Stop              |
| 9.....  | 52-877     | Latch                  | 27..... | 73-1631    | Arc Deflector     |
| 10..... | 52-876     | Hasp                   | 28..... | 79-9197-6  | Bracket           |
| 11..... | 62-439     | Arc Shield L.H.        | 29..... | 25-1927-2  | Connector         |
| 12..... | 62-563     | B/O Complete           | 30..... | 19-1248-3  | Clamp             |
| 13..... | 62-563-2   | Arc Shield             | 32..... | 11-863     | Screw             |
| 14..... | 18-1376    | Contact Post           | 33..... | 9-460-434  | Blowout Coil      |
| 15..... | 19-989-20  | Strap                  | 34..... | 25-1790    | Connector         |
| 15..... | 62-465     | Pole Piece             | 35..... | 13-3860    | Pin               |
| 16..... | 62-431     | Arc Horn               | 35..... | 911-5446Z  | Screw             |
| 17..... | 23-717     | Contact                | 35..... | 916-641Z   | Washer            |
| 17..... | 23-813     | Contact, Silver Faced  | 35..... | 916-682Z   | Lockwasher        |
| 18..... | 911-5606FZ | Contact Screw          | 36..... | 13-3859-3  | Shaft             |
| 19..... | 916-198    | Lockwasher             | 37..... | 24-4119-2  | Contact Lever     |
| 19..... | 24-4119    | Contact Lever Complete | 38..... | 55-1451    | Coil Clamp        |
| 20..... | 69-432     | Spring                 | 39..... | 24-4153-2  | Armature Lever    |
| 21..... | 13-4330    | Shaft                  | 39..... | 51-202     | Core Plug         |
| 21..... | 29-531     | Retaining Ring         |         |            |                   |



This document utilizes an interactive table of contents to help you jump from one section to another. Click the button to return to the table of contents.

**RETURN TO TABLE OF CONTENTS**



*SAFETY LIMIT STOPS*

*BRAKES*

*CONTACTORS*

- No. 369 DC CONTACTOR
- No. 540 100 AMP D-C CONTACTOR
- No. 542 300 AMP D-C CONTACTOR
- No. 545 600 AMP D-C CONTACTOR
- No. 560 100 AMP SPRING CLOSED D-C CONTACTOR
- No. 562 300 AMP SPRING CLOSED D-C CONTACTOR
- No. 565 600 AMP SPRING CLOSED D-C CONTACTOR
- No. 570 100 AMP D-C CONTACTOR
- No. 572 300 AMP D-C CONTACTOR
- No. 575 600 AMP D-C CONTACTOR
- No. 580 100 AMP DOUBLE POLE D-C CONTACTOR
- No. 582 300 AMP DOUBLE POLE D-C CONTACTOR
- No. 590 100 AMP DOUBLE POLE D-C CONTACTOR
- No. 912 50 AMP SINGLE POLE D-C CONTACTOR
- No. 913 100 AMP SINGLE POLE D-C CONTACTOR
- No. 914 150 AMP SINGLE POLE D-C CONTACTOR
- No. 915 300 AMP SINGLE POLE D-C CONTACTOR
- No. 916 600 AMP SINGLE POLE D-C CONTACTOR
- No. 920 810 AMP SINGLE POLE D-C CONTACTOR
- No. 921 810 AMP D-C Lti CONTACTOR
- No. 923 100 AMP SPRING CLOSED D-C CONTACTOR
- No. 924 150 AMP SPRING CLOSED D-C CONTACTOR
- No. 925 300 AMP SPRING CLOSED D-C CONTACTOR
- No. 926 600 AMP SPRING CLOSED D-C CONTACTOR
- No. 932 50 AMP SINGLE POLE D-C Lti CONTACTOR
- No. 933 100 AMP D-C Lti CONTACTOR
- No. 934 150 AMP SINGLE POLE D-C Lti CONTACTOR
- No. 935 300 AMP D-C Lti CONTACTOR
- No. 936 600 AMP SINGLE POLE D-C Lti CONTACTOR
- No. 944 150 AMP TWO-POLE D-C Lti CONTACTOR
- No. 945 300 AMP TWO-POLE D-C Lti CONTACTOR
- No. 952 50 AMP DOUBLE POLE D-C Lti CONTACTOR
- No. 954 150 AMP DOUBLE POLE D-C Lti CONTACTOR
- No. 955 300 AMP TWO-POLE D-C Lti CONTACTOR

## No. 925 300 Amp Spring Closed D-C Contactor

| ITM     | OEM PART  | DESCRIPTION                   | ITM     | OEM PART  | DESCRIPTION               |
|---------|-----------|-------------------------------|---------|-----------|---------------------------|
| 1.....  | 56-3683   | Insulator                     | 21..... | 13-4330-2 | Shaft                     |
| 2.....  | 56-2698-2 | Insulator                     | 22..... | 916-225   | Shim Washer               |
| 3.....  | 17-7275   | Magnet Frame                  | 23..... | 13-587    | Adjusting Pin             |
| 4.....  |           | Coil                          | 24..... | 51-335-3  | Core                      |
| 5.....  | 56-3684   | Insulator                     | 25..... | 69-2237   | Spring                    |
| 6.....  | 16-1879   | Shim Washer                   | 26..... | 18-1492-2 | Stop                      |
| 7.....  | 911-373   | Long Hex Screw                | 27..... | 73-1632   | Arc Deflector             |
| 8.....  | 17-7589   | Molded Base                   | 28..... | 79-9197-3 | Bracket                   |
| 9.....  | 52-880    | Latch                         | 29..... | 25-1927-3 | Connector                 |
| 10..... | 52-879    | Hasp                          | 30..... | 19-1248-3 | Clamp                     |
| 11..... | 62-454-2  | Arc Shield (Left Hand)        | 31..... | 62-454    | Arc Shield (Right Hand)   |
| 12..... | 62-564    | Blowout, Complete             | 32..... | 811-1664  | Lg. Flathead Screw        |
| 13..... | 62-564-2  | Arc Shield, Complete          | 33..... | 9-460-437 | Blowout Coil              |
| 14..... | 18-1410   | Contact Post w/Copper Contact | 34..... | 25-1816   | Connector                 |
| 15..... | 62-452    | Pole Piece                    | 35..... | 13-3862   | Pin                       |
| 16..... | 62-561    | Arc Horn                      | 36..... | 13-3859-4 | Shaft                     |
| 17..... | 23-1042-2 | Contact, Silver Faced         | 37..... | 24-4175-2 | Contact Lever w/Connector |
| 17..... | 23-435    | Contact                       | 38..... | 56-3735   | Insulator                 |
| 18..... | 911-5646Z | Contact Mounting Screw        | 39..... | 15-834-2  | Spacer                    |
| 19..... | 24-4175   | Contact Lever Complete        | 40..... | 79-9203   | Bracket                   |
| 20..... | 69-58     | Spring                        | 41..... | 24-4179   | Armature Lever            |

This document utilizes an interactive table of contents to help you jump from one section to another. Click the button to return to the table of contents.

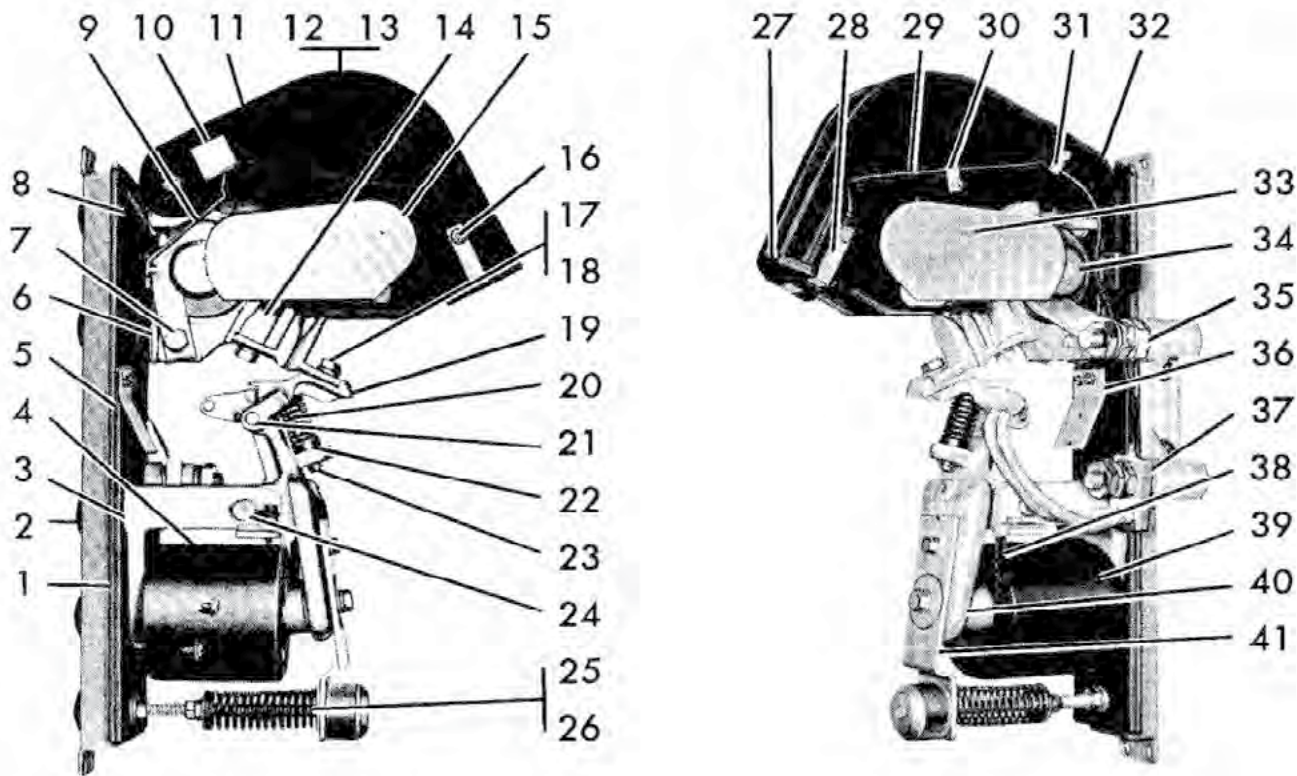
**RETURN TO TABLE OF CONTENTS**

*SAFETY LIMIT STOPS*

*BRAKES*

*CONTACTORS*

- No. 369 DC CONTACTOR
- No. 540 100 AMP D-C CONTACTOR
- No. 542 300 AMP D-C CONTACTOR
- No. 545 600 AMP D-C CONTACTOR
- No. 560 100 AMP SPRING CLOSED D-C CONTACTOR
- No. 562 300 AMP SPRING CLOSED D-C CONTACTOR
- No. 565 600 AMP SPRING CLOSED D-C CONTACTOR
- No. 570 100 AMP D-C CONTACTOR
- No. 572 300 AMP D-C CONTACTOR
- No. 575 600 AMP D-C CONTACTOR
- No. 580 100 AMP DOUBLE POLE D-C CONTACTOR
- No. 582 300 AMP DOUBLE POLE D-C CONTACTOR
- No. 590 100 AMP DOUBLE POLE D-C CONTACTOR
- No. 912 50 AMP SINGLE POLE D-C CONTACTOR
- No. 913 100 AMP SINGLE POLE D-C CONTACTOR
- No. 914 150 AMP SINGLE POLE D-C CONTACTOR
- No. 915 300 AMP SINGLE POLE D-C CONTACTOR
- No. 916 600 AMP SINGLE POLE D-C CONTACTOR
- No. 920 810 AMP SINGLE POLE D-C CONTACTOR
- No. 921 810 AMP D-C Lti CONTACTOR
- No. 923 100 AMP SPRING CLOSED D-C CONTACTOR
- No. 924 150 AMP SPRING CLOSED D-C CONTACTOR
- No. 925 300 AMP SPRING CLOSED D-C CONTACTOR
- No. 926 600 AMP SPRING CLOSED D-C CONTACTOR
- No. 932 50 AMP SINGLE POLE D-C Lti CONTACTOR
- No. 933 100 AMP D-C Lti CONTACTOR
- No. 934 150 AMP SINGLE POLE D-C Lti CONTACTOR
- No. 935 300 AMP D-C Lti CONTACTOR
- No. 936 600 AMP SINGLE POLE D-C Lti CONTACTOR
- No. 944 150 AMP TWO-POLE D-C Lti CONTACTOR
- No. 945 300 AMP TWO-POLE D-C Lti CONTACTOR
- No. 952 50 AMP DOUBLE POLE D-C Lti CONTACTOR
- No. 954 150 AMP DOUBLE POLE D-C Lti CONTACTOR
- No. 955 300 AMP TWO-POLE D-C Lti CONTACTOR

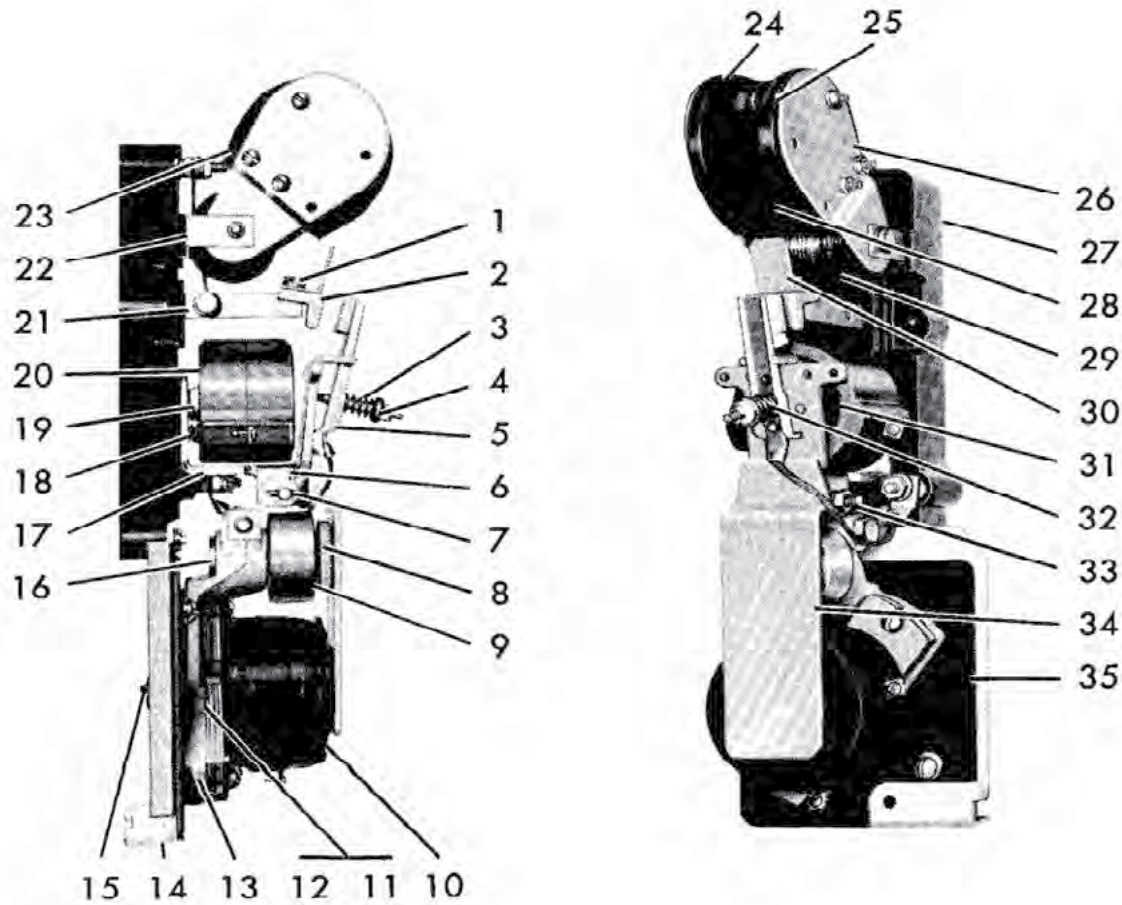


**No. 926 600 Amp Spring Closed D-C Contactor**

| ITM     | OEM PART  | DESCRIPTION             | ITM     | OEM PART   | DESCRIPTION            |
|---------|-----------|-------------------------|---------|------------|------------------------|
| 1.....  | 56-3687   | Insulator               | 21..... | 29-1264    | Retaining Ring         |
| 2.....  | 56-2698-2 | Insulator               | 21..... | 13-4330-3  | Shaft                  |
| 3.....  | 17-7346   | Magnet Frame            | 22..... | 916-1164Z  | Shim Washer .016 Thick |
| 4.....  |           | Coil                    | 23..... | 13-593     | Adjusting Pin          |
| 5.....  | 56-3688   | Insulator               | 23..... | 29-541     | Spring Ring            |
| 6.....  | 16-1879   | Shim Washer             | 24..... | 13-4290    | Shaft                  |
| 7.....  | 911-5890Z | Screw                   | 25..... | 69-2145    | Spring                 |
| 8.....  | 17-7340   | Molded Base             | 26..... | 18-1500    | Stop                   |
| 9.....  | 52-853    | Latch                   | 27..... | 73-1633    | Arc Deflector          |
| 10..... | 52-879    | Hasp                    | 28..... | 79-9197-4  | Bracket                |
| 12..... | 62-565    | Blowout Complete        | 29..... | 25-1927-4  | Connector              |
| 13..... | 62-565-3  | Arc Shield Complete     | 30..... | 79-4180-26 | Clamp                  |
| 14..... | 18-1417   | Contact Post            | 31..... | 19-1248-3  | Clamp                  |
| 15..... | 19-945-7  | Strap                   | 33..... | 11-863     | Screw                  |
| 15..... | 62-459    | Inner Arc Shield        | 34..... | 9-460-438  | Blowout Coil           |
| 15..... | 62-457    | Pole Piece              | 35..... | 25-1850    | Connector              |
| 16..... | 62-561-2  | Arc Horn                | 36..... | 79-9204    | Bracket                |
| 17..... | 23-4026   | Contact                 | 37..... | 24-4205-2  | Contact Lever          |
| 17..... | 23-1288   | Contact w/Silver Insert | 38..... | 55-1667    | Coil Clamp             |
| 18..... | 911-5888Z | Contact Mounting Screw  | 39..... | 51-342     | Core                   |
| 19..... | 24-4205   | Contact Lever Complete  | 40..... | 24-4207-2  | Armature Lever         |
| 20..... | 69-2376   | Spring                  | 41..... | 24-4552    | Stop Lever             |



# O.C.C. REPLACEMENT PARTS FOR CUTLER HAMMER



## No. 932 50 Amp Single Pole D-C Lti Contactor

| ITM     | OEM PART       | DESCRIPTION                  | ITM     | OEM PART        | DESCRIPTION      |
|---------|----------------|------------------------------|---------|-----------------|------------------|
| 1.....  | 911-5445Z..... | Long Hex. Screw              | 18..... | 69-2312.....    | Spring           |
| 2.....  | 23-3286.....   | Contact                      | 19..... | 51-64.....      | Core             |
| 2.....  | 23-1258.....   | Contact (Silver Faced)       | 20..... |                 | Coil             |
| 3.....  | 69-95.....     | Spring                       | 21..... | 18-1395.....    | Contact Post     |
| 4.....  | 15-797.....    | Self Locking Cup Nut         | 22..... | 79-5375-2.....  | Bracket          |
| 5.....  | 40-522.....    | Contact Finger, Silver Faced | 23..... | 62-474.....     | Blowout Complete |
| 5.....  | 40-522-4.....  | Contact Finger               | 24..... | 73-1194-2.....  | Arc Shield       |
| 6.....  | 69-179.....    | Spring                       | 25..... | 73-1194.....    | Arc Shield       |
| 7.....  | 13-3186.....   | Spring Pin                   | 26..... | 62-474-3.....   | Pole Piece       |
| 8.....  | 911-679.....   | Adjusting Screw              | 27..... | 81-7145.....    | Molded Base      |
| 9.....  | 1315-1.....    | Shunt Nut                    | 28..... | 23-3311-3.....  | Protecting Clip  |
| 10..... |                | Holdout Coil                 | 29..... |                 | Blowout Coil     |
| 11..... | 19-1367.....   | Shim                         | 30..... | 62-440.....     | Arc Guard        |
| 12..... | 19-1366.....   | Shim                         | 31..... | 4416-134.....   | Washer           |
| 13..... | 17-7625.....   | Base                         | 32..... | 49-1204-13..... | Spring Gland     |
| 14..... | 17-7813.....   | Mounting Plate               | 33..... | 13-3239-2.....  | Shaft            |
| 15..... | 18-1342-3..... | Post                         | 34..... | 24-4041.....    | Armature Lever   |
| 16..... | 11-1062.....   | Adjusting Screw              | 35..... | 56-2865.....    | Insulator        |
| 17..... | 17-6904.....   | Magnet Frame                 |         |                 |                  |

This document utilizes an interactive table of contents to help you jump from one section to another. Click the button to return to the table of contents.

**RETURN TO  
TABLE OF CONTENTS**

### SAFETY LIMIT STOPS

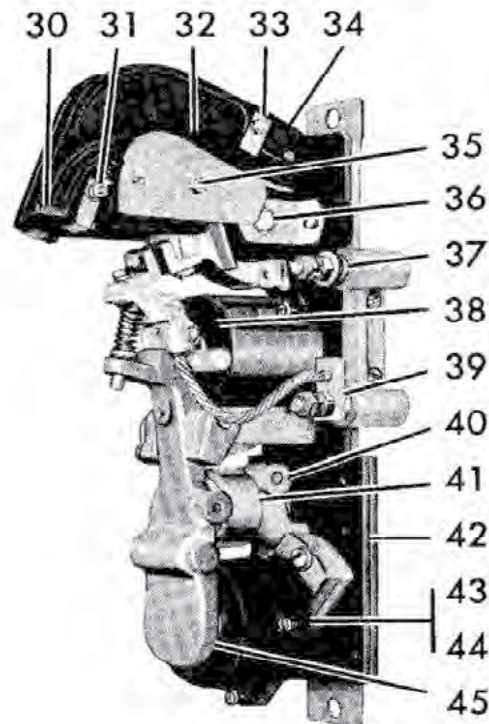
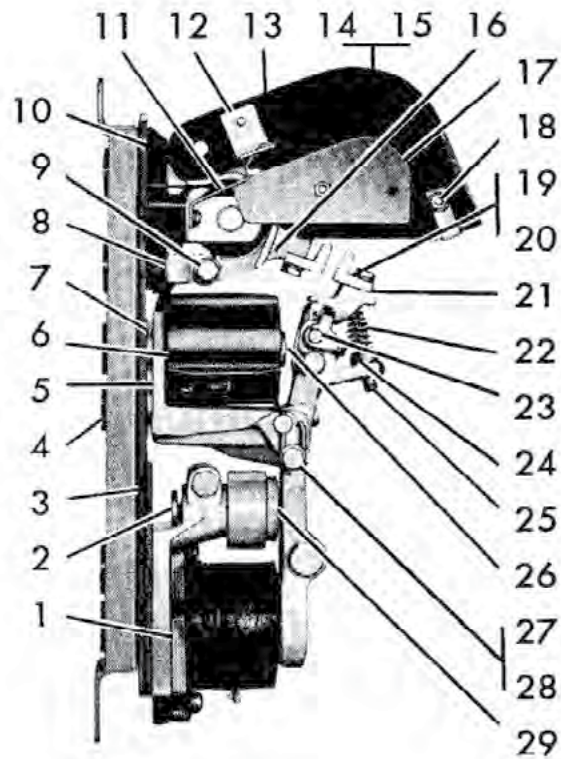
### BRAKES

### CONTACTORS

- No. 369 DC CONTACTOR
- No. 540 100 AMP D-C CONTACTOR
- No. 542 300 AMP D-C CONTACTOR
- No. 545 600 AMP D-C CONTACTOR
- No. 560 100 AMP SPRING CLOSED D-C CONTACTOR
- No. 562 300 AMP SPRING CLOSED D-C CONTACTOR
- No. 565 600 AMP SPRING CLOSED D-C CONTACTOR
- No. 570 100 AMP D-C CONTACTOR
- No. 572 300 AMP D-C CONTACTOR
- No. 575 600 AMP D-C CONTACTOR
- No. 580 100 AMP DOUBLE POLE D-C CONTACTOR
- No. 582 300 AMP DOUBLE POLE D-C CONTACTOR
- No. 590 100 AMP DOUBLE POLE D-C CONTACTOR
- No. 912 50 AMP SINGLE POLE D-C CONTACTOR
- No. 913 100 AMP SINGLE POLE D-C CONTACTOR
- No. 914 150 AMP SINGLE POLE D-C CONTACTOR
- No. 915 300 AMP SINGLE POLE D-C CONTACTOR
- No. 916 600 AMP SINGLE POLE D-C CONTACTOR
- No. 920 810 AMP SINGLE POLE D-C CONTACTOR
- No. 921 810 AMP D-C Lti CONTACTOR
- No. 923 100 AMP SPRING CLOSED D-C CONTACTOR
- No. 924 150 AMP SPRING CLOSED D-C CONTACTOR
- No. 925 300 AMP SPRING CLOSED D-C CONTACTOR
- No. 926 600 AMP SPRING CLOSED D-C CONTACTOR
- No. 932 50 AMP SINGLE POLE D-C Lti CONTACTOR
- No. 933 100 AMP D-C Lti CONTACTOR
- No. 934 150 AMP SINGLE POLE D-C Lti CONTACTOR
- No. 935 300 AMP D-C Lti CONTACTOR
- No. 936 600 AMP SINGLE POLE D-C Lti CONTACTOR
- No. 944 150 AMP TWO-POLE D-C Lti CONTACTOR
- No. 945 300 AMP TWO-POLE D-C Lti CONTACTOR
- No. 952 50 AMP DOUBLE POLE D-C Lti CONTACTOR
- No. 954 150 AMP DOUBLE POLE D-C Lti CONTACTOR
- No. 955 300 AMP TWO-POLE D-C Lti CONTACTOR

INDEX

# O.C.C. REPLACEMENT PARTS FOR CUTLER HAMMER



## No. 933 100 Amp D-C Lti Contactor

| ITM     | OEM PART   | DESCRIPTION             | ITM     | OEM PART  | DESCRIPTION               |
|---------|------------|-------------------------|---------|-----------|---------------------------|
| 1.....  | 19-1367    | Shim                    | 23..... | 13-4330   | Shaft                     |
| 2.....  | 11-1062    | Adjusting Screw         | 23..... | 29-531    | Retaining Ring            |
| 2.....  | 13-1079-17 | Pin                     | 24..... | 16-320    | Washer                    |
| 3.....  | 56-3675    | Insulator               | 25..... | 13-591    | Adjusting Pin             |
| 4.....  | 56-2698    | Insulator               | 25..... | 29-531    | Retaining Ring            |
| 5.....  | 17-7114    | Magnet Frame            | 26..... | 51-885    | Core                      |
| 6.....  |            | Coil                    | 27..... | 13-3859   | Shaft                     |
| 7.....  | 16-2315    | Washer                  | 28..... | 13-3860   | Pin                       |
| 8.....  | 16-2359    | Shim Washer             | 29..... | 911-679   | Adjusting Screw           |
| 9.....  | 911-5446Z  | Screw                   | 30..... | 73-1630   | Arc Deflector             |
| 10..... | 17-7117    | Moulded Base            | 31..... | 79-9197-5 | Bracket                   |
| 11..... | 52-859     | Latch                   | 32..... | 25-1927   | Connector                 |
| 12..... | 52-876     | Hasp                    | 33..... | 19-1248-3 | Clamp                     |
| 13..... | 62-446-2   | Arc Shield (Left Hand)  | 34..... | 62-446    | Arc Shield (Right Hand)   |
| 14..... | 62-562     | Blowout Complete        | 35..... | 911-2104Z | Screw                     |
| 15..... | 62-562-2   | Arc Shield, Complete    | 36..... |           | Blowout Coil              |
| 16..... | 18-1378    | Contact Post            | 37..... | 25-1798   | Connector                 |
| 17..... | 19-989-19  | Strap                   | 38..... | 55-1454   | Coil Clamp                |
| 17..... | 62-463     | Pole Piece              | 39..... | 24-4123-2 | Contact Lever w/Connector |
| 18..... | 62-444     | Arc Horn                | 40..... | 17-7625   | Base                      |
| 19..... | 23-812     | Contact, Silver Tipped  | 41..... | 1315-1    | Shunt Nut                 |
| 19..... | 23-3514    | Contact                 | 42..... | 56-3674   | Insulator                 |
| 20..... | 911-5445Z  | Long Hex. Screw         | 43..... |           | Holdout Coil              |
| 21..... | 24-4123    | Contact Lever, Complete | 44..... | 18-1342-2 | Hold Out Coil Post        |
| 22..... | 69-2375    | Spring                  | 45..... | 24-4131   | Armature Lever            |

This document utilizes an interactive table of contents to help you jump from one section to another. Click the button to return to the table of contents.

**RETURN TO  
TABLE OF CONTENTS**

### SAFETY LIMIT STOPS

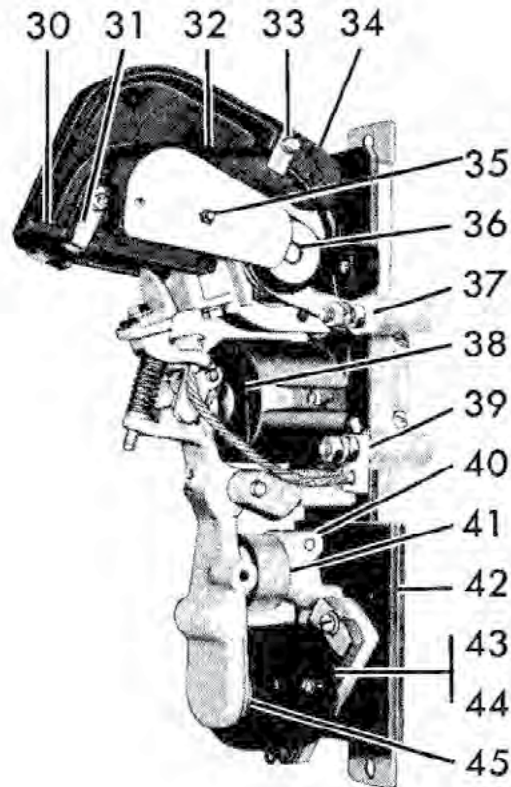
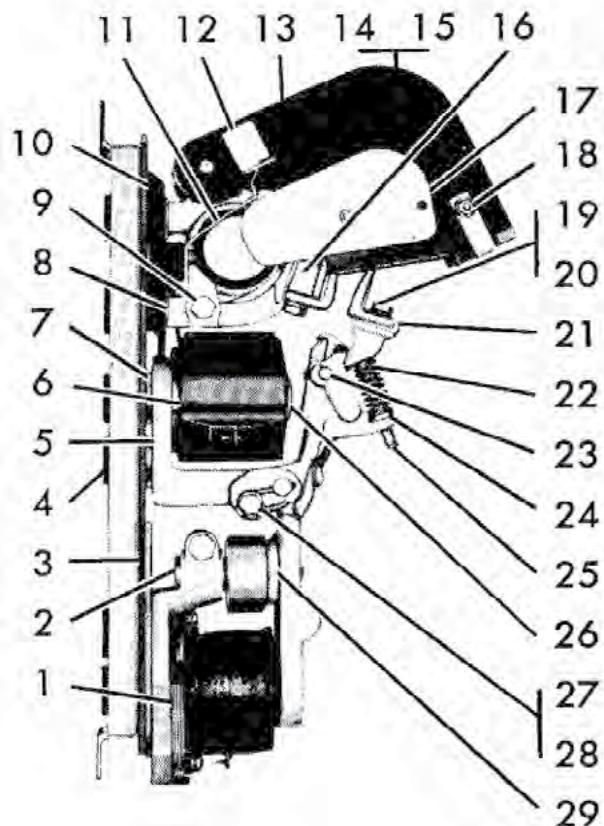
### BRAKES

### CONTACTORS

- No. 369 DC CONTACTOR
- No. 540 100 AMP D-C CONTACTOR
- No. 542 300 AMP D-C CONTACTOR
- No. 545 600 AMP D-C CONTACTOR
- No. 560 100 AMP SPRING CLOSED D-C CONTACTOR
- No. 562 300 AMP SPRING CLOSED D-C CONTACTOR
- No. 565 600 AMP SPRING CLOSED D-C CONTACTOR
- No. 570 100 AMP D-C CONTACTOR
- No. 572 300 AMP D-C CONTACTOR
- No. 575 600 AMP D-C CONTACTOR
- No. 580 100 AMP DOUBLE POLE D-C CONTACTOR
- No. 582 300 AMP DOUBLE POLE D-C CONTACTOR
- No. 590 100 AMP DOUBLE POLE D-C CONTACTOR
- No. 912 50 AMP SINGLE POLE D-C CONTACTOR
- No. 913 100 AMP SINGLE POLE D-C CONTACTOR
- No. 914 150 AMP SINGLE POLE D-C CONTACTOR
- No. 915 300 AMP SINGLE POLE D-C CONTACTOR
- No. 916 600 AMP SINGLE POLE D-C CONTACTOR
- No. 920 810 AMP SINGLE POLE D-C CONTACTOR
- No. 921 810 AMP D-C Lti CONTACTOR
- No. 923 100 AMP SPRING CLOSED D-C CONTACTOR
- No. 924 150 AMP SPRING CLOSED D-C CONTACTOR
- No. 925 300 AMP SPRING CLOSED D-C CONTACTOR
- No. 926 600 AMP SPRING CLOSED D-C CONTACTOR
- No. 932 50 AMP SINGLE POLE D-C Lti CONTACTOR
- No. 933 100 AMP D-C Lti CONTACTOR
- No. 934 150 AMP SINGLE POLE D-C Lti CONTACTOR
- No. 935 300 AMP D-C Lti CONTACTOR
- No. 936 600 AMP SINGLE POLE D-C Lti CONTACTOR
- No. 944 150 AMP TWO-POLE D-C Lti CONTACTOR
- No. 945 300 AMP TWO-POLE D-C Lti CONTACTOR
- No. 952 50 AMP DOUBLE POLE D-C Lti CONTACTOR
- No. 954 150 AMP DOUBLE POLE D-C Lti CONTACTOR
- No. 955 300 AMP TWO-POLE D-C Lti CONTACTOR



# O.C.C. REPLACEMENT PARTS FOR CUTLER HAMMER



## No. 934 150 Amp Single Pole D-C Lti Contactor

| ITM     | OEM PART   | DESCRIPTION                 | ITM     | OEM PART  | DESCRIPTION             |
|---------|------------|-----------------------------|---------|-----------|-------------------------|
| 1.....  | 19-1367    | .....Shim                   | 23..... | 29-531    | .....Retaining Ring     |
| 2.....  | 13-1079-17 | .....Pin                    | 24..... | 13-4330   | .....Shaft              |
| 2.....  | 11-1062    | .....Adjusting Screw        | 24..... | 16-320    | .....Washer .016 Thick  |
| 3.....  | 56-3680    | .....Insulator              | 25..... | 13-734    | .....Adjusting Pin      |
| 4.....  | 56-2698    | .....Insulator              | 26..... | 51-881    | .....Core               |
| 5.....  | 17-11147   | .....Magnet Frame           | 27..... | 13-3859-2 | .....Shaft              |
| 6.....  |            | .....Coil                   | 28..... | 13-3860   | .....Pin                |
| 7.....  | 16-2315    | .....Washer                 | 29..... | 911-679   | .....Adjusting Screw    |
| 8.....  | 16-2359    | .....Shim Washer            | 30..... | 73-1631   | .....Arc Deflector      |
| 9.....  | 911-5607Z  | .....Hex Screw              | 31..... | 79-9197-6 | .....Bracket            |
| 10..... | 17-7117    | .....Moulded Base           | 32..... | 25-1927-2 | .....Connector          |
| 11..... | 52-877     | .....Latch                  | 33..... | 19-1248-3 | .....Clamp              |
| 12..... | 52-876     | .....Hasp                   | 35..... | 11-863    | .....Screw              |
| 14..... | 62-563     | .....B/O Complete           | 36..... | 9-460-434 | .....Blowout Coil       |
| 15..... | 62-563-2   | .....Arc Shield             | 37..... | 911-5608Z | .....Screw              |
| 16..... | 18-1376    | .....Contact Post           | 37..... | 25-1790   | .....Connector          |
| 17..... | 19-989-20  | .....Strap                  | 38..... | 55-1452   | .....Coil Clamp         |
| 17..... | 62-465     | .....Pole Piece             | 39..... | 24-4119-2 | .....Contact Lever      |
| 18..... | 62-431     | .....Arc Horn               | 40..... | 17-7625   | .....Base               |
| 19..... | 23-813     | .....Contact, Silver Faced  | 41..... | 1315-1    | .....Shunt Nut          |
| 19..... | 23-717     | .....Contact                | 42..... | 56-3674   | .....Insulator          |
| 20..... | 911-5606FZ | .....Contact Screw          | 43..... |           | .....Holdout Coil       |
| 21..... | 24-4119    | .....Contact Lever Complete | 44..... | 18-1342-2 | .....Hold Out Coil Post |
| 22..... | 69-432     | .....Spring                 | 45..... | 24-4134   | .....Armature Lever     |

This document utilizes an interactive table of contents to help you jump from one section to another. Click the button to return to the table of contents.

**RETURN TO  
TABLE OF CONTENTS**

### SAFETY LIMIT STOPS

### BRAKES

### CONTACTORS

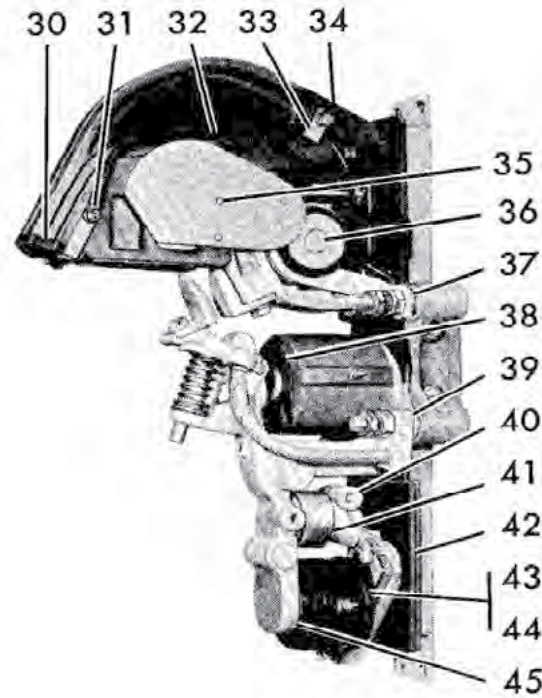
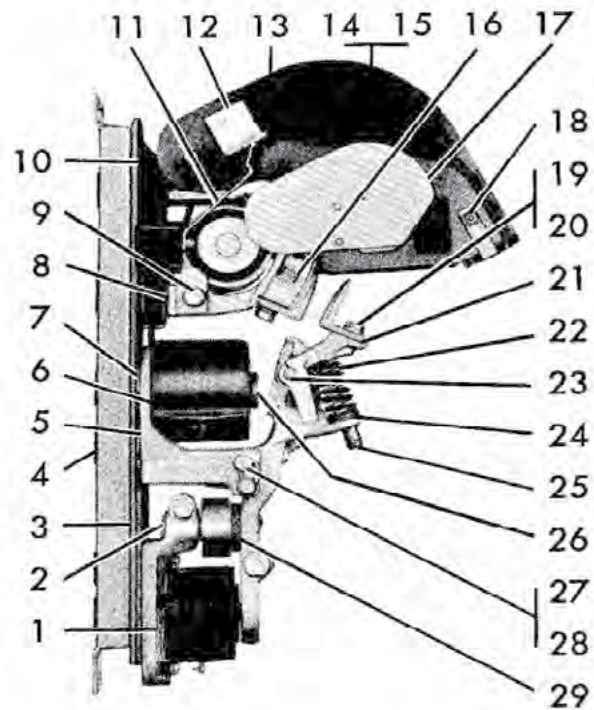
- No. 369 DC CONTACTOR
- No. 540 100 AMP D-C CONTACTOR
- No. 542 300 AMP D-C CONTACTOR
- No. 545 600 AMP D-C CONTACTOR
- No. 560 100 AMP SPRING CLOSED D-C CONTACTOR
- No. 562 300 AMP SPRING CLOSED D-C CONTACTOR
- No. 565 600 AMP SPRING CLOSED D-C CONTACTOR
- No. 570 100 AMP D-C CONTACTOR
- No. 572 300 AMP D-C CONTACTOR
- No. 575 600 AMP D-C CONTACTOR
- No. 580 100 AMP DOUBLE POLE D-C CONTACTOR
- No. 582 300 AMP DOUBLE POLE D-C CONTACTOR
- No. 590 100 AMP DOUBLE POLE D-C CONTACTOR
- No. 912 50 AMP SINGLE POLE D-C CONTACTOR
- No. 913 100 AMP SINGLE POLE D-C CONTACTOR
- No. 914 150 AMP SINGLE POLE D-C CONTACTOR
- No. 915 300 AMP SINGLE POLE D-C CONTACTOR
- No. 916 600 AMP SINGLE POLE D-C CONTACTOR
- No. 920 810 AMP SINGLE POLE D-C CONTACTOR
- No. 921 810 AMP D-C Lti CONTACTOR
- No. 923 100 AMP SPRING CLOSED D-C CONTACTOR
- No. 924 150 AMP SPRING CLOSED D-C CONTACTOR
- No. 925 300 AMP SPRING CLOSED D-C CONTACTOR
- No. 926 600 AMP SPRING CLOSED D-C CONTACTOR
- No. 932 50 AMP SINGLE POLE D-C Lti CONTACTOR
- No. 933 100 AMP D-C Lti CONTACTOR
- No. 934 150 AMP SINGLE POLE D-C Lti CONTACTOR
- No. 935 300 AMP D-C Lti CONTACTOR
- No. 936 600 AMP SINGLE POLE D-C Lti CONTACTOR
- No. 944 150 AMP TWO-POLE D-C Lti CONTACTOR
- No. 945 300 AMP TWO-POLE D-C Lti CONTACTOR
- No. 952 50 AMP DOUBLE POLE D-C Lti CONTACTOR
- No. 954 150 AMP DOUBLE POLE D-C Lti CONTACTOR
- No. 955 300 AMP TWO-POLE D-C Lti CONTACTOR

INDEX



This document utilizes an interactive table of contents to help you jump from one section to another. Click the button to return to the table of contents.

**RETURN TO TABLE OF CONTENTS**



### No. 935 300 Amp D-C Ltl Contactor

| ITM     | OEM PART  | DESCRIPTION            | ITM     | OEM PART  | DESCRIPTION               |
|---------|-----------|------------------------|---------|-----------|---------------------------|
| 1.....  | 19-1366   | Shim                   | 24..... | 16-319    | Shim Washer               |
| 2.....  | 11-1062   | Adjusting Screw        | 25..... | 13-587    | Adjusting Pin             |
| 3.....  | 56-3685   | Insulator              | 26..... | 51-896    | Core                      |
| 4.....  | 56-2698   | Insulator              | 27..... | 13-3859-3 | Shaft                     |
| 5.....  | 17-7193   | Magnet Frame           | 28..... | 13-3860   | Pin                       |
| 6.....  |           | Coil                   | 29..... | 911-679   | Adjusting Screw           |
| 7.....  | 16-2315   | Washer                 | 30..... | 73-1632   | Arc Deflector             |
| 8.....  | 16-1879   | Shim Washer            | 31..... | 79-9197-3 | Bracket                   |
| 10..... | 17-7589   | Moulded Base           | 32..... | 25-1927-3 | Connector                 |
| 11..... | 52-880    | Latch                  | 33..... | 19-1248-3 | Clamp                     |
| 12..... | 52-879    | Hasp                   | 34..... | 62-454    | Arc Shield (Right Hand)   |
| 13..... | 62-454-2  | Arc Shield (Left Hand) | 35..... | 811-1664  | Screw                     |
| 14..... | 62-564    | Blowout, Complete      | 36..... | 9-460-437 | Blowout Coil              |
| 15..... | 62-564-2  | Arc Shield, Complete   | 37..... | 25-1816   | Connector                 |
| 16..... | 18-1410   | Contact Post           | 38..... | 55-1451   | Coil Clamp                |
| 17..... | 62-452    | Pole Piece             | 39..... | 24-4175-2 | Contact Lever w/Connector |
| 18..... | 62-561    | Arc Horn               | 40..... | 17-7625   | Base                      |
| 19..... | 23-435    | Contact                | 41..... | 1315-1    | Shunt Nut                 |
| 20..... | 911-5646Z | Contact Mounting Screw | 42..... | 56-3674   | Insulator                 |
| 21..... | 24-4175   | Contact Lever Complete | 43..... |           | Holdout Coil              |
| 22..... | 69-58     | Spring                 | 44..... | 18-1842-2 | Hold Out Coil Post        |
| 23..... | 13-4330-2 | Shaft                  | 45..... | 24-4182   | Armature Lever            |

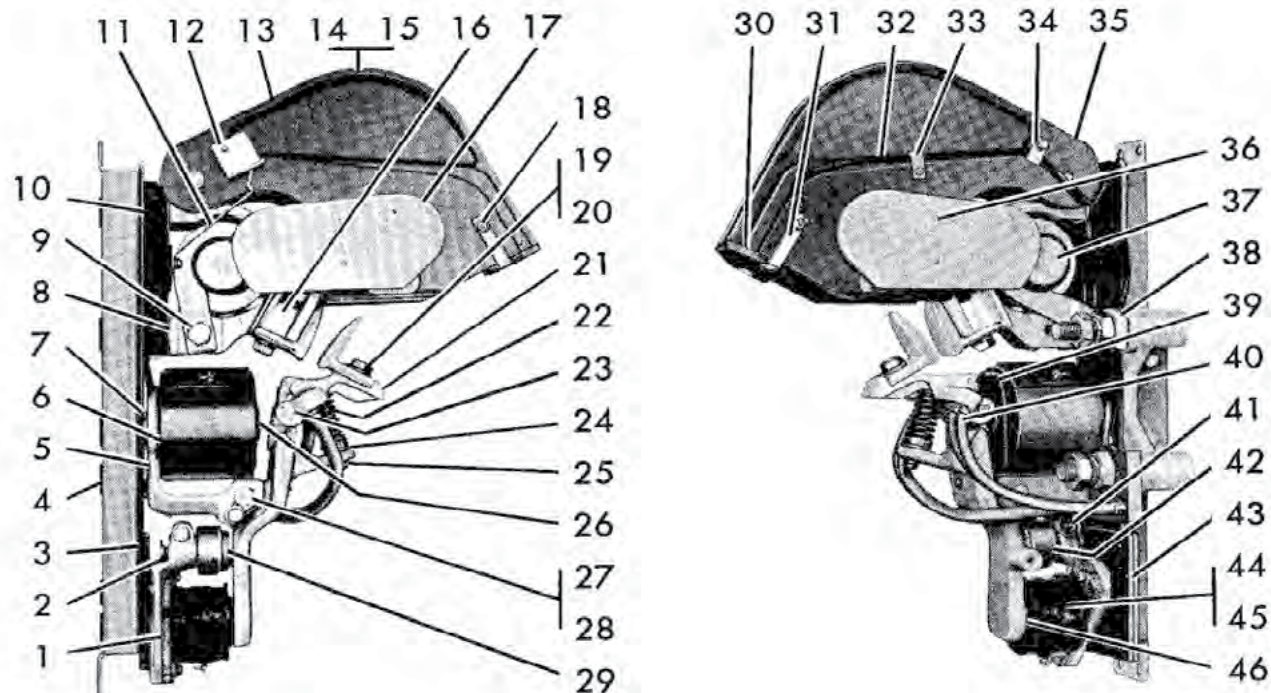
*SAFETY LIMIT STOPS*

*BRAKES*

*CONTACTORS*

- No. 369 DC CONTACTOR
- No. 540 100 AMP D-C CONTACTOR
- No. 542 300 AMP D-C CONTACTOR
- No. 545 600 AMP D-C CONTACTOR
- No. 560 100 AMP SPRING CLOSED D-C CONTACTOR
- No. 562 300 AMP SPRING CLOSED D-C CONTACTOR
- No. 565 600 AMP SPRING CLOSED D-C CONTACTOR
- No. 570 100 AMP D-C CONTACTOR
- No. 572 300 AMP D-C CONTACTOR
- No. 575 600 AMP D-C CONTACTOR
- No. 580 100 AMP DOUBLE POLE D-C CONTACTOR
- No. 582 300 AMP DOUBLE POLE D-C CONTACTOR
- No. 590 100 AMP DOUBLE POLE D-C CONTACTOR
- No. 912 50 AMP SINGLE POLE D-C CONTACTOR
- No. 913 100 AMP SINGLE POLE D-C CONTACTOR
- No. 914 150 AMP SINGLE POLE D-C CONTACTOR
- No. 915 300 AMP SINGLE POLE D-C CONTACTOR
- No. 916 600 AMP SINGLE POLE D-C CONTACTOR
- No. 920 810 AMP SINGLE POLE D-C CONTACTOR
- No. 921 810 AMP D-C Ltl CONTACTOR
- No. 923 100 AMP SPRING CLOSED D-C CONTACTOR
- No. 924 150 AMP SPRING CLOSED D-C CONTACTOR
- No. 925 300 AMP SPRING CLOSED D-C CONTACTOR
- No. 926 600 AMP SPRING CLOSED D-C CONTACTOR
- No. 932 50 AMP SINGLE POLE D-C Ltl CONTACTOR
- No. 933 100 AMP D-C Ltl CONTACTOR
- No. 934 150 AMP SINGLE POLE D-C Ltl CONTACTOR
- No. 935 300 AMP D-C Ltl CONTACTOR
- No. 936 600 AMP SINGLE POLE D-C Ltl CONTACTOR
- No. 944 150 AMP TWO-POLE D-C Ltl CONTACTOR
- No. 945 300 AMP TWO-POLE D-C Ltl CONTACTOR
- No. 952 50 AMP DOUBLE POLE D-C Ltl CONTACTOR
- No. 954 150 AMP DOUBLE POLE D-C Ltl CONTACTOR
- No. 955 300 AMP TWO-POLE D-C Ltl CONTACTOR

This document utilizes an interactive table of contents to help you jump from one section to another. Click the button to return to the table of contents.



**RETURN TO TABLE OF CONTENTS**

*SAFETY LIMIT STOPS*

*BRAKES*

*CONTACTORS*

- No. 369 DC CONTACTOR
- No. 540 100 AMP D-C CONTACTOR
- No. 542 300 AMP D-C CONTACTOR
- No. 545 600 AMP D-C CONTACTOR
- No. 560 100 AMP SPRING CLOSED D-C CONTACTOR
- No. 562 300 AMP SPRING CLOSED D-C CONTACTOR
- No. 565 600 AMP SPRING CLOSED D-C CONTACTOR
- No. 570 100 AMP D-C CONTACTOR
- No. 572 300 AMP D-C CONTACTOR
- No. 575 600 AMP D-C CONTACTOR
- No. 580 100 AMP DOUBLE POLE D-C CONTACTOR
- No. 582 300 AMP DOUBLE POLE D-C CONTACTOR
- No. 590 100 AMP DOUBLE POLE D-C CONTACTOR
- No. 912 50 AMP SINGLE POLE D-C CONTACTOR
- No. 913 100 AMP SINGLE POLE D-C CONTACTOR
- No. 914 150 AMP SINGLE POLE D-C CONTACTOR
- No. 915 300 AMP SINGLE POLE D-C CONTACTOR
- No. 916 600 AMP SINGLE POLE D-C CONTACTOR
- No. 920 810 AMP SINGLE POLE D-C CONTACTOR
- No. 921 810 AMP D-C Lti CONTACTOR
- No. 923 100 AMP SPRING CLOSED D-C CONTACTOR
- No. 924 150 AMP SPRING CLOSED D-C CONTACTOR
- No. 925 300 AMP SPRING CLOSED D-C CONTACTOR
- No. 926 600 AMP SPRING CLOSED D-C CONTACTOR
- No. 932 50 AMP SINGLE POLE D-C Lti CONTACTOR
- No. 933 100 AMP D-C Lti CONTACTOR
- No. 934 150 AMP SINGLE POLE D-C Lti CONTACTOR
- No. 935 300 AMP D-C Lti CONTACTOR
- No. 936 600 AMP SINGLE POLE D-C Lti CONTACTOR
- No. 944 150 AMP TWO-POLE D-C Lti CONTACTOR
- No. 945 300 AMP TWO-POLE D-C Lti CONTACTOR
- No. 952 50 AMP DOUBLE POLE D-C Lti CONTACTOR
- No. 954 150 AMP DOUBLE POLE D-C Lti CONTACTOR
- No. 955 300 AMP TWO-POLE D-C Lti CONTACTOR

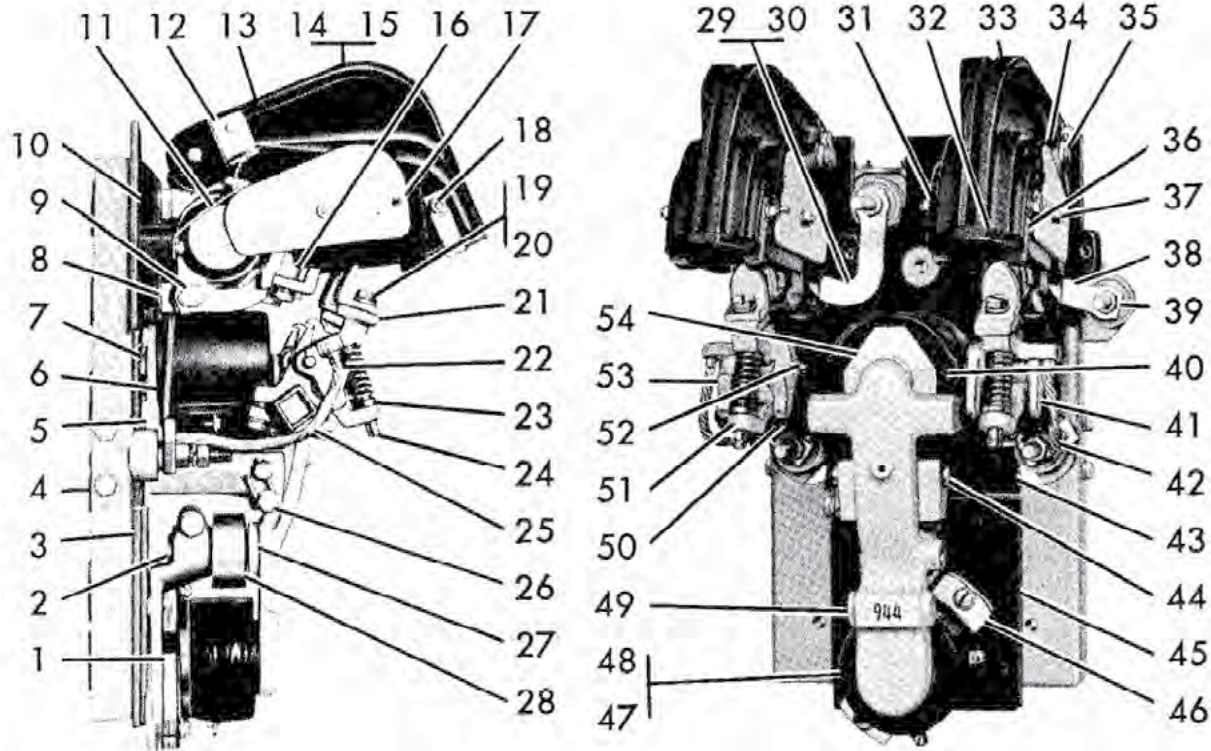
**No. 936 600 Amp Single Pole D-C Lti Contactor**

| ITM     | OEM PART   | DESCRIPTION             | ITM     | OEM PART   | DESCRIPTION               |
|---------|------------|-------------------------|---------|------------|---------------------------|
| 1.....  | 19-1366    | Shim                    | 23..... | 29-1264    | Retaining Ring            |
| 2.....  | 11-1062    | Adjusting Screw         | 24..... | 16-319     | Shim Washer .032 Thick    |
| 2.....  | 13-1079-17 | Pin                     | 25..... | 29-541     | Spring Ring               |
| 3.....  | 56-3690    | Insulator               | 25..... | 13-593     | Adjusting Pin             |
| 5.....  | 17-7275    | Magnet Frame            | 26..... | 51-979     | Core                      |
| 6.....  |            | Coil                    | 27..... | 13-3859-4  | Shaft                     |
| 7.....  | 16-2315    | Washer                  | 28..... | 13-3862    | Pin                       |
| 7.....  | 16-2316    | Washer (Top)            | 29..... | 911-679    | Adjusting Screw           |
| 8.....  | 16-1879    | Shim Washer             | 30..... | 73-1633    | Arc Deflector             |
| 9.....  | 911-5890Z  | Screw                   | 31..... | 79-9197-4  | Bracket                   |
| 10..... | 17-7340    | Moulded Base            | 32..... | 25-1927-4  | Connector                 |
| 11..... | 52-853     | Latch                   | 33..... | 79-4180-26 | Clamp                     |
| 12..... | 52-879     | Hasp                    | 34..... | 19-1248-3  | Clamp                     |
| 14..... | 62-565     | Blowout Complete        | 36..... | 11-863     | Screw                     |
| 15..... | 62-565-3   | Arc Shield Complete     | 37..... | 9-460-438  | Blowout Coil              |
| 16..... | 18-1417    | Contact Post            | 38..... | 25-1850    | Connector                 |
| 17..... | 62-459     | Inner Arc Shield        | 39..... | 55-1553    | Coil Clamp                |
| 17..... | 62-457     | Pole Piece              | 40..... | 24-4205-2  | Contact Lever w/Connector |
| 17..... | 19-945-7   | Strap                   | 41..... | 17-7625    | Base                      |
| 18..... | 62-561-2   | Arc Horn                | 41..... | 911-5652Z  | Screw                     |
| 19..... | 23-4026    | Contact                 | 42..... | 1315-1     | Shunt Nut                 |
| 19..... | 23-1288    | Contact w/Silver Insert | 43..... | 56-3689    | Insulator                 |
| 20..... | 911-5888Z  | Contact Mounting Screw  | 44..... |            | Holdout Coil              |
| 21..... | 24-4205    | Contact Lever Complete  | 45..... | 18-1342-2  | Hold Out Coil Post        |
| 22..... | 69-2376    | Spring                  | 46..... | 24-4208-2  | Armature Lever            |
| 23..... | 13-4330-3  | Shaft                   |         |            |                           |



This document utilizes an interactive table of contents to help you jump from one section to another. Click the button to return to the table of contents.

**RETURN TO TABLE OF CONTENTS**



### No. 944 150 Amp Two-Pole D-C Lti Contactor

| ITM     | OEM PART   | DESCRIPTION                  | ITM     | OEM PART  | DESCRIPTION                    |
|---------|------------|------------------------------|---------|-----------|--------------------------------|
| 1.....  | 19-1367    | Shim                         | 26..... | 13-3860   | Pin                            |
| 2.....  | 11-1062    | Adjusting Screw              | 26..... | 911-5446Z | Screw                          |
| 2.....  | 13-1079-17 | Pin                          | 27..... | 911-679   | Adjusting Screw                |
| 3.....  | 56-3692    | Insulator                    | 28..... | 1315-1    | Shunt Nut                      |
| 4.....  | 56-2698    | Insulator                    | 29..... | 9-460-448 | Blowout Coil, Left Hand        |
| 5.....  | 17-7193    | Magnet Frame                 | 30..... | 25-2099   | Connector                      |
| 6.....  |            | Coil                         | 31..... | 62-563    | Blowout, Complete              |
| 7.....  | 16-2315    | Washer                       | 32..... | 73-1631   | Arc Deflector                  |
| 8.....  | 16-2359    | Shim Washer                  | 33..... | 62-432    | Arc Shield R.H.                |
| 9.....  | 911-5607Z  | Hex Screw                    | 34..... | 25-1927-2 | Connector                      |
| 9.....  | 916-198    | Lockwasher                   | 35..... | 19-1248-3 | Clamp                          |
| 10..... | 17-7117    | Moulded Base                 | 36..... | 79-9197-6 | Bracket                        |
| 11..... | 52-877     | Latch                        | 37..... | 11-863    | Screw                          |
| 12..... | 52-876     | Hasp                         | 38..... | 9-460-434 | Blowout Coil                   |
| 13..... | 62-439     | Arc Shield L.H.              | 39..... | 25-1790   | Connector                      |
| 14..... | 62-563-3   | L.H. Blowout, Complete       | 40..... | 51-896    | Core                           |
| 15..... | 62-563-2   | Arc Shield, Complete         | 41..... | 24-4119   | Contact Lever Complete         |
| 16..... | 18-1376    | Contact Post                 | 42..... | 24-4119-2 | Contact Lever w/Connector      |
| 17..... | 19-989-20  | Strap                        | 43..... | 56-3691   | Insulator                      |
| 17..... | 62-465     | Pole Piece                   | 44..... | 13-3859-3 | Shaft                          |
| 18..... | 62-431     | Arc Horn                     | 45..... | 56-3674   | Insulator                      |
| 19..... | 23-717     | Contact                      | 46..... | 17-7625   | Base                           |
| 19..... | 23-813     | Contact, Silver Faced        | 47..... |           | Holdout Coil                   |
| 20..... | 911-5606Z  | Contact Screw                | 48..... | 18-1342-2 | Holdout Coil Post              |
| 20..... | 916-198    | Lockwasher                   | 49..... | 24-4688-3 | Armature Lever                 |
| 21..... | 24-4119-3  | L.H. Contact Lever, Complete | 50..... | 29-721    | Insulating Tube                |
| 22..... | 69-432     | Spring                       | 51..... | 24-860    | Contact Lever                  |
| 23..... | 16-320     | Washer .016 Thick            | 52..... | 13-4330   | Shaft                          |
| 24..... | 13-734-2   | Adjusting Pin                | 52..... | 29-531    | Retaining Ring                 |
| 24..... | 29-531     | Retaining Ring               | 53..... | 24-4119-4 | L.H. Contact Lever w/Connector |
| 25..... | 55-573     | Clamp                        | 54..... | 55-1451   | Coil Clamp                     |

**SAFETY LIMIT STOPS**

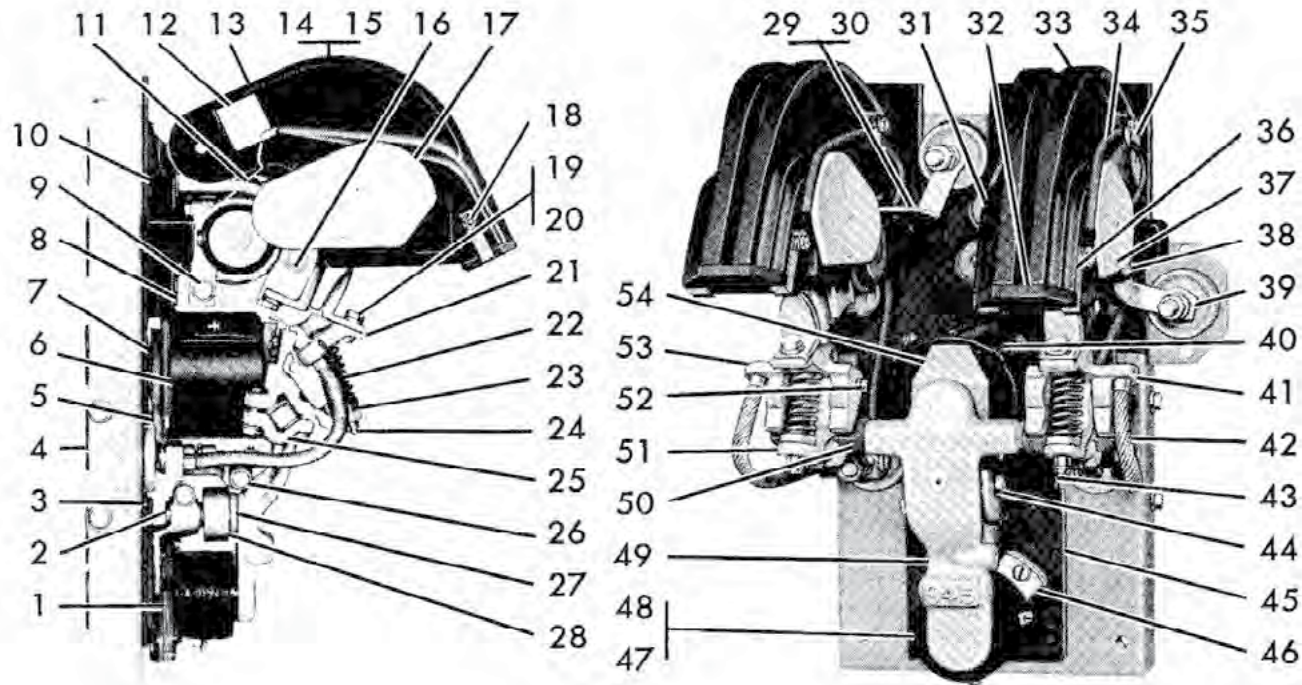
**BRAKES**

**CONTACTORS**

- No. 369 DC CONTACTOR
- No. 540 100 AMP D-C CONTACTOR
- No. 542 300 AMP D-C CONTACTOR
- No. 545 600 AMP D-C CONTACTOR
- No. 560 100 AMP SPRING CLOSED D-C CONTACTOR
- No. 562 300 AMP SPRING CLOSED D-C CONTACTOR
- No. 565 600 AMP SPRING CLOSED D-C CONTACTOR
- No. 570 100 AMP D-C CONTACTOR
- No. 572 300 AMP D-C CONTACTOR
- No. 575 600 AMP D-C CONTACTOR
- No. 580 100 AMP DOUBLE POLE D-C CONTACTOR
- No. 582 300 AMP DOUBLE POLE D-C CONTACTOR
- No. 590 100 AMP DOUBLE POLE D-C CONTACTOR
- No. 912 50 AMP SINGLE POLE D-C CONTACTOR
- No. 913 100 AMP SINGLE POLE D-C CONTACTOR
- No. 914 150 AMP SINGLE POLE D-C CONTACTOR
- No. 915 300 AMP SINGLE POLE D-C CONTACTOR
- No. 916 600 AMP SINGLE POLE D-C CONTACTOR
- No. 920 810 AMP SINGLE POLE D-C CONTACTOR
- No. 921 810 AMP D-C Lti CONTACTOR
- No. 923 100 AMP SPRING CLOSED D-C CONTACTOR
- No. 924 150 AMP SPRING CLOSED D-C CONTACTOR
- No. 925 300 AMP SPRING CLOSED D-C CONTACTOR
- No. 926 600 AMP SPRING CLOSED D-C CONTACTOR
- No. 932 50 AMP SINGLE POLE D-C Lti CONTACTOR
- No. 933 100 AMP D-C Lti CONTACTOR
- No. 934 150 AMP SINGLE POLE D-C Lti CONTACTOR
- No. 935 300 AMP D-C Lti CONTACTOR
- No. 936 600 AMP SINGLE POLE D-C Lti CONTACTOR
- No. 944 150 AMP TWO-POLE D-C Lti CONTACTOR
- No. 945 300 AMP TWO-POLE D-C Lti CONTACTOR
- No. 952 50 AMP DOUBLE POLE D-C Lti CONTACTOR
- No. 954 150 AMP DOUBLE POLE D-C Lti CONTACTOR
- No. 955 300 AMP TWO-POLE D-C Lti CONTACTOR

This document utilizes an interactive table of contents to help you jump from one section to another. Click the button to return to the table of contents.

**RETURN TO TABLE OF CONTENTS**



**No. 945 300 Amp Two-Pole D-C Ltl Contactor**

| ITM     | OEM PART  | DESCRIPTION                   | ITM     | OEM PART  | DESCRIPTION                    |
|---------|-----------|-------------------------------|---------|-----------|--------------------------------|
| 1.....  | 19-1367   | Shim                          | 28..... | 1315-1    | Shunt Nut                      |
| 2.....  | 11-1062   | Adjusting Screw               | 29..... | 9-460-449 | Blowout Coil Left Hand         |
| 3.....  | 56-3692   | Insulator                     | 30..... | 25-2095   | Left Hand Connector            |
| 4.....  | 56-2698   | Insulator                     | 31..... | 62-564-6  | Right Hand Blowout Complete    |
| 5.....  | 17-7275   | Magnet Frame                  | 32..... | 73-1632   | Arc Deflector                  |
| 6.....  |           | Coil                          | 33..... | 62-454    | Arc Shield (Right Hand)        |
| 7.....  | 16-2315   | Washer                        | 34..... | 25-1927-5 | Connector                      |
| 8.....  | 16-1879   | Shim Washer                   | 35..... | 19-1248-3 | Clamp                          |
| 9.....  | 911-373   | Screw                         | 36..... | 79-9197-3 | Bracket                        |
| 10..... | 17-7589   | Moulded Base                  | 37..... | 811-1664  | Lg. Flathead Screw             |
| 11..... | 52-880    | Latch                         | 38..... | 9-460-437 | Blowout Coil                   |
| 12..... | 52-879    | Hasp                          | 39..... | 25-1816   | Connector                      |
| 13..... | 62-454-2  | Arc Shield (Left Hand)        | 40..... | 51-979    | Core                           |
| 14..... | 62-564-3  | Left Hand Blowout             | 41..... | 24-4175-7 | R.H. Contact Lever Complete    |
| 15..... | 62-564-8  | Arc Shield Complete           | 42..... | 24-4175-6 | R.H. Contact Lever W/Connector |
| 16..... | 18-1410   | Contact Post w/Copper Contact | 43..... | 56-3693   | Insulator                      |
| 17..... | 62-452    | Pole Piece                    | 44..... | 13-3859-4 | Shaft                          |
| 18..... | 62-561    | Arc Horn                      | 45..... | 56-3674   | Insulator                      |
| 19..... | 23-1042-2 | Contact, Silver Faced         | 46..... | 17-7625   | Base                           |
| 19..... | 23-435    | Contact                       | 47..... |           | Holdout Coil                   |
| 20..... | 911-5646Z | Contact Mounting Screw        | 48..... | 18-1342-2 | Hold Out Coil Post             |
| 21..... | 24-4175-3 | L.H. Contact Lever Complete   | 49..... | 24-4690   | Armature Lever                 |
| 22..... | 69-58     | Spring                        | 50..... | 29-735    | Insulating Tube                |
| 23..... | 916-225   | Shim Washer                   | 51..... | 24-4699   | Contact Lever                  |
| 24..... | 13-587    | Adjusting Pin                 | 52..... | 13-4330-2 | Shaft                          |
| 25..... | 55-217    | Clamp                         | 53..... | 24-4175-4 | L.H. Contact Lever W/Connector |
| 26..... | 13-3862   | Pin                           | 54..... | 55-1553   | Coil Clamp                     |
| 27..... | 911-679   | Adjusting Screw               |         |           |                                |

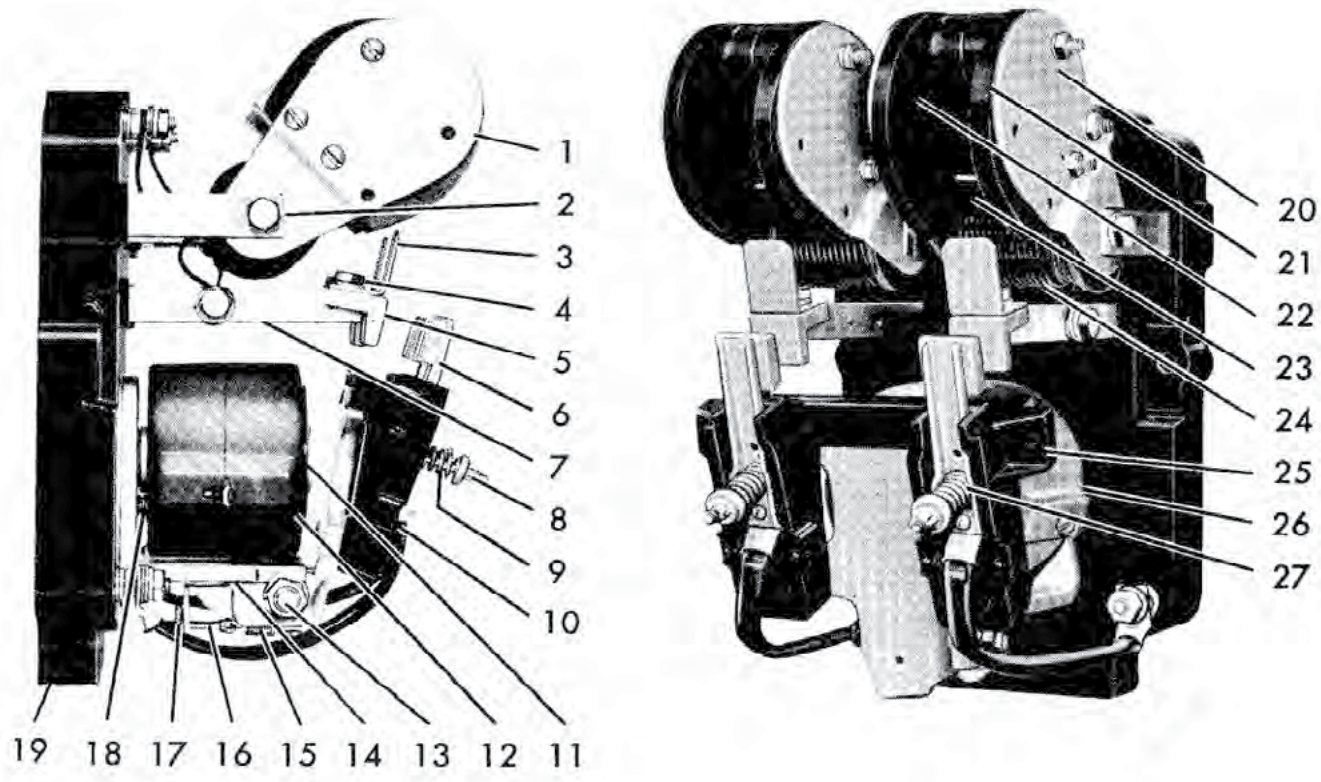
*SAFETY LIMIT STOPS*

*BRAKES*

*CONTACTORS*

- No. 369 DC CONTACTOR
- No. 540 100 AMP D-C CONTACTOR
- No. 542 300 AMP D-C CONTACTOR
- No. 545 600 AMP D-C CONTACTOR
- No. 560 100 AMP SPRING CLOSED D-C CONTACTOR
- No. 562 300 AMP SPRING CLOSED D-C CONTACTOR
- No. 565 600 AMP SPRING CLOSED D-C CONTACTOR
- No. 570 100 AMP D-C CONTACTOR
- No. 572 300 AMP D-C CONTACTOR
- No. 575 600 AMP D-C CONTACTOR
- No. 580 100 AMP DOUBLE POLE D-C CONTACTOR
- No. 582 300 AMP DOUBLE POLE D-C CONTACTOR
- No. 590 100 AMP DOUBLE POLE D-C CONTACTOR
- No. 912 50 AMP SINGLE POLE D-C CONTACTOR
- No. 913 100 AMP SINGLE POLE D-C CONTACTOR
- No. 914 150 AMP SINGLE POLE D-C CONTACTOR
- No. 915 300 AMP SINGLE POLE D-C CONTACTOR
- No. 916 600 AMP SINGLE POLE D-C CONTACTOR
- No. 920 810 AMP SINGLE POLE D-C CONTACTOR
- No. 921 810 AMP D-C Ltl CONTACTOR
- No. 923 100 AMP SPRING CLOSED D-C CONTACTOR
- No. 924 150 AMP SPRING CLOSED D-C CONTACTOR
- No. 925 300 AMP SPRING CLOSED D-C CONTACTOR
- No. 926 600 AMP SPRING CLOSED D-C CONTACTOR
- No. 932 50 AMP SINGLE POLE D-C Ltl CONTACTOR
- No. 933 100 AMP D-C Ltl CONTACTOR
- No. 934 150 AMP SINGLE POLE D-C Ltl CONTACTOR
- No. 935 300 AMP D-C Ltl CONTACTOR
- No. 936 600 AMP SINGLE POLE D-C Ltl CONTACTOR
- No. 944 150 AMP TWO-POLE D-C Ltl CONTACTOR
- No. 945 300 AMP TWO-POLE D-C Ltl CONTACTOR
- No. 952 50 AMP DOUBLE POLE D-C Ltl CONTACTOR
- No. 954 150 AMP DOUBLE POLE D-C Ltl CONTACTOR
- No. 955 300 AMP TWO-POLE D-C Ltl CONTACTOR





### No. 952 50 Amp Double Pole D-C Lti Contactor

| ITM     | OEM PART  | DESCRIPTION             | ITM     | OEM PART   | DESCRIPTION             |
|---------|-----------|-------------------------|---------|------------|-------------------------|
| 1.....  | 62-474    | Blowout Complete        | 14..... | 17-6943    | Magnet Frame            |
| 2.....  | 79-5433   | Bracket                 | 15..... | 69-158     | Spring                  |
| 3.....  | 62-440    | Arc Guard               | 16..... | 14-143     | Adjusting Stud          |
| 4.....  | 911-5445Z | Contact Screw           | 17..... | 15-842     | Adjusting Nut           |
| 5.....  | 23-3286   | Contact                 | 18..... | 69-195     | Spring                  |
| 5.....  | 23-1258   | Contact (Silver Faced)  | 19..... | 81-7225-2  | Molded Base             |
| 6.....  | 40-492-2  | Movable Contact Finger  | 20..... | 62-474-3   | Pole Piece              |
| 6.....  | 40-492-3  | Contact Finger w/Silver | 21..... | 73-1194    | Arc Shield              |
| 7.....  | 18-1351   | Contact Post            | 22..... | 73-1194-2  | Arc Shield              |
| 8.....  | 15-797    | Self Locking Cup Nut    | 23..... | 23-3311-3  | Protecting Clip         |
| 9.....  | 69-95     | Spring                  | 24..... |            | Coil                    |
| 10..... | 24-4065-3 | Armature Lever          | 25..... | 24-4065    | Armature Lever Complete |
| 11..... | 51-913    | Core                    | 26..... |            | Coil                    |
| 12..... | 4416-1321 | Washer                  | 27..... | 49-1204-13 | Spring Gland            |
| 13..... | 18-219-5  | Shaft                   |         |            |                         |

This document utilizes an interactive table of contents to help you jump from one section to another. Click the button to return to the table of contents.

**RETURN TO TABLE OF CONTENTS**

*SAFETY LIMIT STOPS*

*BRAKES*

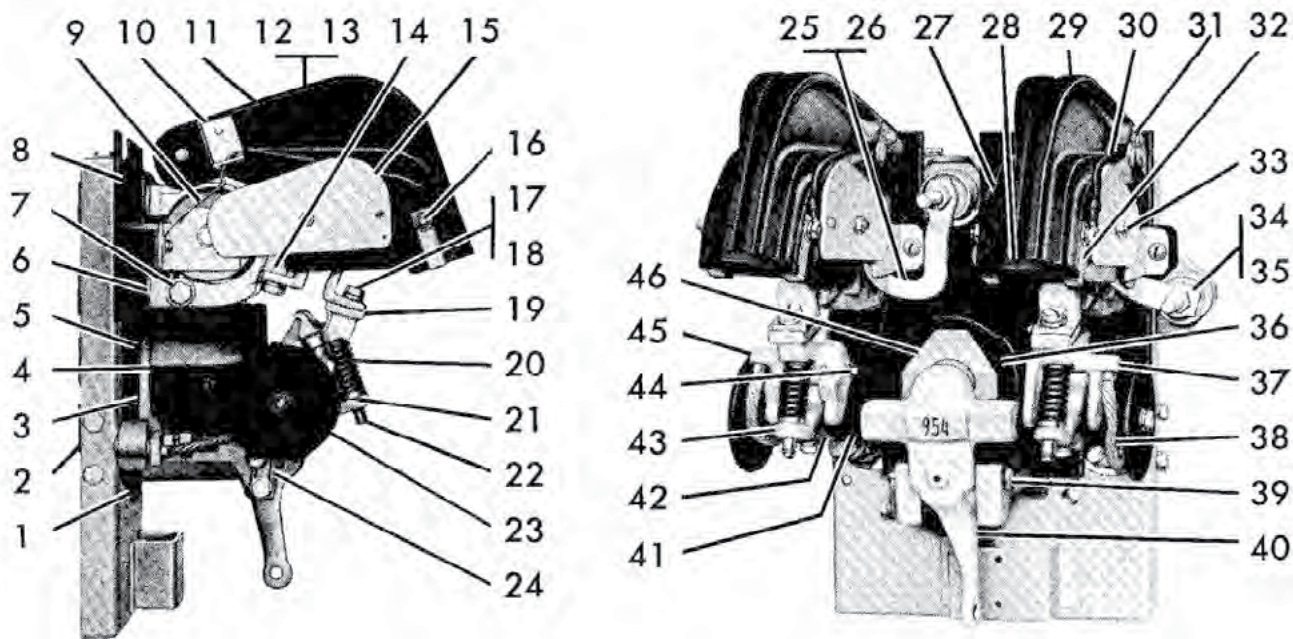
*CONTACTORS*

- No. 369 DC CONTACTOR
- No. 540 100 AMP D-C CONTACTOR
- No. 542 300 AMP D-C CONTACTOR
- No. 545 600 AMP D-C CONTACTOR
- No. 560 100 AMP SPRING CLOSED D-C CONTACTOR
- No. 562 300 AMP SPRING CLOSED D-C CONTACTOR
- No. 565 600 AMP SPRING CLOSED D-C CONTACTOR
- No. 570 100 AMP D-C CONTACTOR
- No. 572 300 AMP D-C CONTACTOR
- No. 575 600 AMP D-C CONTACTOR
- No. 580 100 AMP DOUBLE POLE D-C CONTACTOR
- No. 582 300 AMP DOUBLE POLE D-C CONTACTOR
- No. 590 100 AMP DOUBLE POLE D-C CONTACTOR
- No. 912 50 AMP SINGLE POLE D-C CONTACTOR
- No. 913 100 AMP SINGLE POLE D-C CONTACTOR
- No. 914 150 AMP SINGLE POLE D-C CONTACTOR
- No. 915 300 AMP SINGLE POLE D-C CONTACTOR
- No. 916 600 AMP SINGLE POLE D-C CONTACTOR
- No. 920 810 AMP SINGLE POLE D-C CONTACTOR
- No. 921 810 AMP D-C Lti CONTACTOR
- No. 923 100 AMP SPRING CLOSED D-C CONTACTOR
- No. 924 150 AMP SPRING CLOSED D-C CONTACTOR
- No. 925 300 AMP SPRING CLOSED D-C CONTACTOR
- No. 926 600 AMP SPRING CLOSED D-C CONTACTOR
- No. 932 50 AMP SINGLE POLE D-C Lti CONTACTOR
- No. 933 100 AMP D-C Lti CONTACTOR
- No. 934 150 AMP SINGLE POLE D-C Lti CONTACTOR
- No. 935 300 AMP D-C Lti CONTACTOR
- No. 936 600 AMP SINGLE POLE D-C Lti CONTACTOR
- No. 944 150 AMP TWO-POLE D-C Lti CONTACTOR
- No. 945 300 AMP TWO-POLE D-C Lti CONTACTOR
- No. 952 50 AMP DOUBLE POLE D-C Lti CONTACTOR
- No. 954 150 AMP DOUBLE POLE D-C Lti CONTACTOR
- No. 955 300 AMP TWO-POLE D-C Lti CONTACTOR



This document utilizes an interactive table of contents to help you jump from one section to another. Click the button to return to the table of contents.

**RETURN TO TABLE OF CONTENTS**



## No. 954 150 Amp Double Pole D-C Lti Contactor

| ITM     | OEM PART  | DESCRIPTION                  | ITM     | OEM PART  | DESCRIPTION               |
|---------|-----------|------------------------------|---------|-----------|---------------------------|
| 1.....  | 56-3691   | Insulator                    | 22..... | 13-734-2  | Adjusting Pin             |
| 3.....  | 17-7193   | Magnet Frame                 | 22..... | 29-531    | Retaining Ring            |
| 4.....  |           | Coil                         | 23..... | 16-840-21 | Insulating Washer         |
| 5.....  | 16-2315   | Washer                       | 25..... | 9-460-448 | Blowout Coil Left Hand    |
| 6.....  | 16-2359   | Shim Washer                  | 26..... | 25-2099   | Connector                 |
| 7.....  | 911-5607Z | Hex Screw                    | 27..... | 62-563    | B/O Complete R.H.         |
| 7.....  | 916-198   | Lockwasher                   | 27..... | 62-563-6  | R.H. Blowout, Complete    |
| 7.....  | 916-801Z  | Washer                       | 28..... | 73-1631   | Arc Deflector             |
| 8.....  | 17-7117   | Moulded Base                 | 30..... | 25-1927-2 | Connector                 |
| 9.....  | 52-877    | Latch                        | 31..... | 19-1248-3 | Clamp                     |
| 10..... | 52-876    | Hasp                         | 32..... | 79-9197-6 | Bracket                   |
| 12..... | 62-563-3  | L.H. Blowout, Complete       | 34..... | 9-460-434 | Blowout Coil              |
| 12..... | 62-563-7  | L.H. Blowout, Complete       | 35..... | 25-1790   | Connector                 |
| 13..... | 62-563-2  | Arc Shield Complete          | 36..... | 51-896    | Core                      |
| 14..... | 18-1376   | Contact Post                 | 37..... | 24-4119   | Contact Lever Complete    |
| 15..... | 19-989-20 | Strap                        | 38..... | 24-4119-2 | Contact Lever             |
| 15..... | 62-465    | Pole Piece                   | 39..... | 13-3859-3 | Shaft                     |
| 16..... | 62-431    | Arc Horn                     | 40..... | 18-1576   | Stop                      |
| 17..... | 23-717    | Contact                      | 40..... | 24-4687-3 | Armature Lever            |
| 17..... | 23-813    | Contact, Silver Faced        | 41..... | 29-1336-2 | Insulating Tube           |
| 18..... | 911-5606Z | Contact Screw                | 42..... | 55-573    | Clamp                     |
| 18..... | 916-198   | Lockwasher                   | 43..... | 24-860    | Contact Lever             |
| 19..... | 24-4119-3 | L.H. Contact Lever, Complete | 44..... | 13-4330   | Shaft                     |
| 20..... | 69-432    | Spring                       | 45..... | 24-4119-2 | Contact Lever w/Connector |
| 21..... | 16-320    | Washer .016 Thick            | 46..... | 55-1451   | Coil Clamp                |

### SAFETY LIMIT STOPS

### BRAKES

### CONTACTORS

- No. 369 DC CONTACTOR
- No. 540 100 AMP D-C CONTACTOR
- No. 542 300 AMP D-C CONTACTOR
- No. 545 600 AMP D-C CONTACTOR
- No. 560 100 AMP SPRING CLOSED D-C CONTACTOR
- No. 562 300 AMP SPRING CLOSED D-C CONTACTOR
- No. 565 600 AMP SPRING CLOSED D-C CONTACTOR
- No. 570 100 AMP D-C CONTACTOR
- No. 572 300 AMP D-C CONTACTOR
- No. 575 600 AMP D-C CONTACTOR
- No. 580 100 AMP DOUBLE POLE D-C CONTACTOR
- No. 582 300 AMP DOUBLE POLE D-C CONTACTOR
- No. 590 100 AMP DOUBLE POLE D-C CONTACTOR
- No. 912 50 AMP SINGLE POLE D-C CONTACTOR
- No. 913 100 AMP SINGLE POLE D-C CONTACTOR
- No. 914 150 AMP SINGLE POLE D-C CONTACTOR
- No. 915 300 AMP SINGLE POLE D-C CONTACTOR
- No. 916 600 AMP SINGLE POLE D-C CONTACTOR
- No. 920 810 AMP SINGLE POLE D-C CONTACTOR
- No. 921 810 AMP D-C Lti CONTACTOR
- No. 923 100 AMP SPRING CLOSED D-C CONTACTOR
- No. 924 150 AMP SPRING CLOSED D-C CONTACTOR
- No. 925 300 AMP SPRING CLOSED D-C CONTACTOR
- No. 926 600 AMP SPRING CLOSED D-C CONTACTOR
- No. 932 50 AMP SINGLE POLE D-C Lti CONTACTOR
- No. 933 100 AMP D-C Lti CONTACTOR
- No. 934 150 AMP SINGLE POLE D-C Lti CONTACTOR
- No. 935 300 AMP D-C Lti CONTACTOR
- No. 936 600 AMP SINGLE POLE D-C Lti CONTACTOR
- No. 944 150 AMP TWO-POLE D-C Lti CONTACTOR
- No. 945 300 AMP TWO-POLE D-C Lti CONTACTOR
- No. 952 50 AMP DOUBLE POLE D-C Lti CONTACTOR
- No. 954 150 AMP DOUBLE POLE D-C Lti CONTACTOR
- No. 955 300 AMP TWO-POLE D-C Lti CONTACTOR

This document utilizes an interactive table of contents to help you jump from one section to another. Click the button to return to the table of contents.

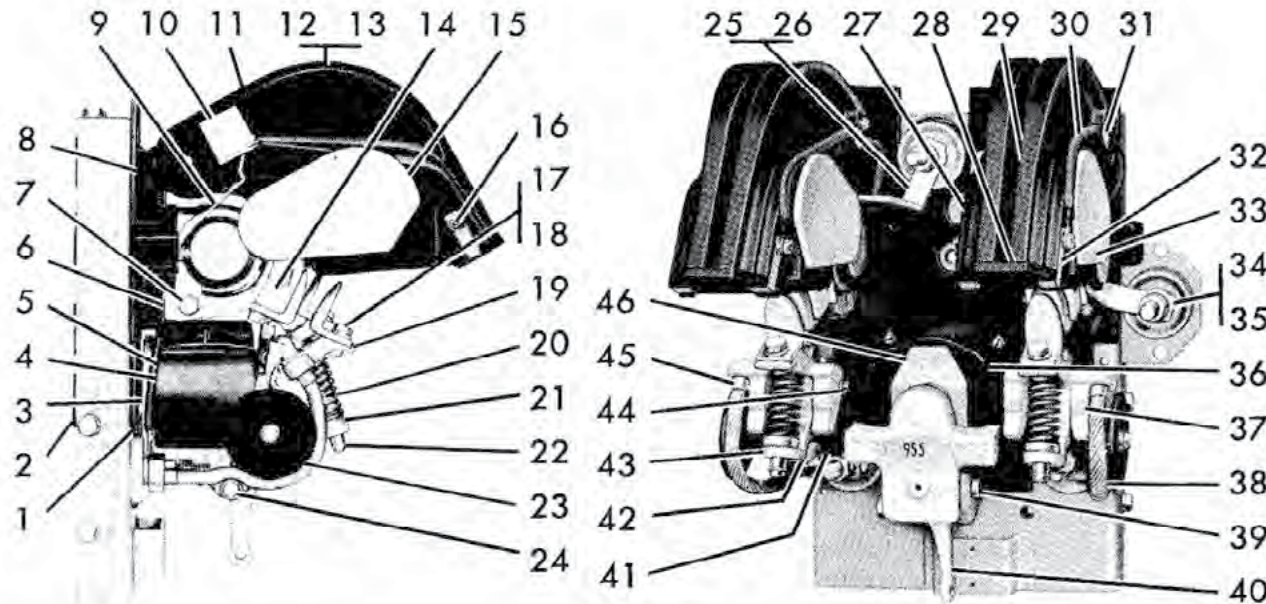
**RETURN TO  
TABLE OF CONTENTS**

*SAFETY LIMIT STOPS*

*BRAKES*

*CONTACTORS*

- No. 369 DC CONTACTOR
- No. 540 100 AMP D-C CONTACTOR
- No. 542 300 AMP D-C CONTACTOR
- No. 545 600 AMP D-C CONTACTOR
- No. 560 100 AMP SPRING CLOSED D-C CONTACTOR
- No. 562 300 AMP SPRING CLOSED D-C CONTACTOR
- No. 565 600 AMP SPRING CLOSED D-C CONTACTOR
- No. 570 100 AMP D-C CONTACTOR
- No. 572 300 AMP D-C CONTACTOR
- No. 575 600 AMP D-C CONTACTOR
- No. 580 100 AMP DOUBLE POLE D-C CONTACTOR
- No. 582 300 AMP DOUBLE POLE D-C CONTACTOR
- No. 590 100 AMP DOUBLE POLE D-C CONTACTOR
- No. 912 50 AMP SINGLE POLE D-C CONTACTOR
- No. 913 100 AMP SINGLE POLE D-C CONTACTOR
- No. 914 150 AMP SINGLE POLE D-C CONTACTOR
- No. 915 300 AMP SINGLE POLE D-C CONTACTOR
- No. 916 600 AMP SINGLE POLE D-C CONTACTOR
- No. 920 810 AMP SINGLE POLE D-C CONTACTOR
- No. 921 810 AMP D-C Lti CONTACTOR
- No. 923 100 AMP SPRING CLOSED D-C CONTACTOR
- No. 924 150 AMP SPRING CLOSED D-C CONTACTOR
- No. 925 300 AMP SPRING CLOSED D-C CONTACTOR
- No. 926 600 AMP SPRING CLOSED D-C CONTACTOR
- No. 932 50 AMP SINGLE POLE D-C Lti CONTACTOR
- No. 933 100 AMP D-C Lti CONTACTOR
- No. 934 150 AMP SINGLE POLE D-C Lti CONTACTOR
- No. 935 300 AMP D-C Lti CONTACTOR
- No. 936 600 AMP SINGLE POLE D-C Lti CONTACTOR
- No. 944 150 AMP TWO-POLE D-C Lti CONTACTOR
- No. 945 300 AMP TWO-POLE D-C Lti CONTACTOR
- No. 952 50 AMP DOUBLE POLE D-C Lti CONTACTOR
- No. 954 150 AMP DOUBLE POLE D-C Lti CONTACTOR
- No. 955 300 AMP TWO-POLE D-C Lti CONTACTOR



**No. 955 300 Amp Two-Pole D-C Lti Contactor**

| ITM     | OEM PART  | DESCRIPTION                   | ITM     | OEM PART  | DESCRIPTION                    |
|---------|-----------|-------------------------------|---------|-----------|--------------------------------|
| 1.....  | 56-3693   | Insulator                     | 22..... | 29-541    | Spring Ring                    |
| 2.....  | 56-2698-2 | Insulator                     | 23..... | 16-840-21 | Insulating Washer              |
| 3.....  | 17-7275   | Magnet Frame                  | 24..... | 13-3862   | Pin                            |
| 4.....  |           | Coil                          | 25..... | 9-460-449 | Blowout Coil Left Hand         |
| 5.....  | 16-2315   | Washer                        | 26..... | 25-2095   | Left Hand Connector            |
| 5.....  | 16-2316   | Washer Top                    | 27..... | 62-564-6  | Right Hand Blowout Complete    |
| 6.....  | 16-1879   | Shim Washer                   | 28..... | 73-1632   | Arc Deflector                  |
| 7.....  | 911-373   | Long Hex Screw                | 29..... | 62-454    | Arc Shield (Right Hand)        |
| 8.....  | 17-7589   | Moulded Base                  | 30..... | 25-1927-5 | Connector                      |
| 9.....  | 52-880    | Latch                         | 31..... | 19-1248-3 | Clamp                          |
| 10..... | 52-879    | Hasp                          | 32..... | 79-9197-3 | Bracket                        |
| 11..... | 62-454-2  | Arc Shield (Left Hand)        | 33..... | 811-1664  | Lg. Flathead Screw             |
| 12..... | 62-564-3  | Left Hand Blowout             | 33..... | 916-101   | Tooth Lockwasher               |
| 13..... | 62-564-8  | Arc Shield Complete           | 34..... | 9-460-437 | Blowout Coil                   |
| 14..... | 18-1410   | Contact Post w/Copper Contact | 35..... | 25-1816   | Connector (used w/o Blowout)   |
| 15..... | 19-945-6  | Strap                         | 36..... | 51-979    | Core                           |
| 15..... | 62-451    | Inner Arc Shield              | 37..... | 24-4175-7 | R.H. Contact Lever Complete    |
| 15..... | 62-452    | Pole Piece                    | 38..... | 24-4175-6 | R.H. Contact Lever W/Connector |
| 16..... | 62-561    | Arc Horn                      | 39..... | 13-3859-4 | Shaft                          |
| 16..... | 915-322Z  | Nut                           | 40..... | 18-1576   | Stop                           |
| 17..... | 23-435    | Contact                       | 40..... | 24-4689   | Armature Lever                 |
| 17..... | 23-1042-2 | Contact w/Silver Insert       | 41..... | 29-1336-3 | Insulating Tube                |
| 18..... | 911-5646Z | Contact Mounting Screw        | 42..... | 55-217    | Clamp                          |
| 19..... | 24-4175-3 | L.H. Contact Lever Complete   | 43..... | 24-4699   | Contact Lever                  |
| 20..... | 69-58     | Spring                        | 44..... | 13-4330-2 | Shaft                          |
| 21..... | 916-225   | Shim Washer                   | 44..... | 28-42     | Retaining Ring                 |
| 22..... | 13-587    | Adjusting Pin                 | 45..... | 24-4175-4 | L.H. Contact Lever W/Connector |
|         |           |                               | 46..... | 55-1553   | Coil Clamp                     |



| OEM PART  | DESCRIPTION                           | OEM PART   | DESCRIPTION                         |
|-----------|---------------------------------------|------------|-------------------------------------|
| 10-1510-4 | Switch                                | 11-3046-2  | Self Locking Screw                  |
| 1016-1004 | Washer                                | 11-3046-3  | Self-Locking Screw                  |
| 1016-1103 | Washer                                | 11-3046-4  | Self Locking Screw                  |
| 1016-1163 | Insulating Washer                     | 11-3255    | Adjusting Screw Assembly            |
| 1016-1165 | Insulating Washer                     | 11-327     | Hex Head Screw                      |
| 1016-1202 | Insulating Washer                     | 11-3554    | Hex Head Bolt                       |
| 1016-1361 | Fibre Washer                          | 11-3555    | Hex Head Bolt                       |
| 1016-187  | Washer                                | 11-3556    | Hex Head Screw                      |
| 1016-192  | Fibre Washer                          | 11-3558    | Hex Head Screw                      |
| 1016-205  | Washer                                | 11-356     | Adjusting Screw                     |
| 1016-282  | Insulating Washer                     | 11-3748    | Capscrew                            |
| 10-2485-8 | Interlock Assembly                    | 113809     | Aux. Contact                        |
| 1029-160  | Insulating Tube                       | 11-428     | Set Screw                           |
| 1029-238  | Tube                                  | 11-4625    | Adjusting Screw Assembly            |
| 10923     | Unit Circuit Block                    | 11-4625-2  | Adjustment Assembly                 |
| 10923H11  | Kit                                   | 11-4625-3  | Adjusting Screw Assembly            |
| 10923H11A | Aux. Contact Mounting Kit             | 11-4625-4  | Adjusting Screw Assembly            |
| 10923H12A | Aux Contact Mounting Kit              | 11-4625-5  | Screw Assembly                      |
| 10923H19  | Interlock Mounting Kit                | 11-4625-6  | Adjusting Screw Assembly            |
| 10923H20  | Aux Contact Mounting Kit              | 11-4633    | Hex Bolt                            |
| 10923H2A  | Auxiliary Contact Block 2 N.O.        | 11-4638    | Self Lock Bolt                      |
| 10923H3   | Auxiliary Contact Block               | 11-4640    | Self Lock Bolt                      |
| 10923H8A  | Electrical Interlock, 1 N.O. & 1 N.C. | 11-4642    | Self Lock Bolt                      |
| 11-1028   | Screw for 3/4" Panel                  | 11-4792    | Self Tapping Screw                  |
| 11-1028-2 | Screw for 1" Panel                    | 11-4816    | Screw                               |
| 11-1028-3 | Screw                                 | 11-4847    | Capscrew                            |
| 11-1062   | Adjusting Screw                       | 115091     | SPRING, 30" HIGH TORQUE             |
| 11-1120-2 | Socket Head Screw                     | 11-544     | Set Screw                           |
| 11-1142   | Sems Screw                            | 11-592     | Thumb Screw                         |
| 11-1249   | Screw                                 | 116223     | Spring                              |
| 11-1249-2 | Screw                                 | 11-645     | Round Head Thread Cutting Screw     |
| 11-1249-3 | Screw                                 | 11-682     | Sems Screw                          |
| 11-1249-4 | Screw                                 | 11-700     | Screw                               |
| 11-1332   | Slotted Hexagon Head Screw            | 11-709-2   | Screw                               |
| 11-1524   | Screw                                 | 11-723-15  | Tap Bolt                            |
| 11-1592   | Screw                                 | 11-723-6   | Screw                               |
| 11-1656   | Binding Head Screw                    | 11-788     | Screw                               |
| 11-1746   | Adjusting Screw Assembly              | 11-789     | Screw                               |
| 11-1746-2 | Adjustment Assembly                   | 11-796     | Headless Set Screw                  |
| 11-1746-3 | Adjusting Screw Assembly              | 11-798     | Screw                               |
| 11-1746-4 | Adjusting Screw Assembly              | 11-811     | Screw                               |
| 11-1746-5 | Adjusting Screw Assembly              | 11-844-6   | Slotted Hexagon Screw               |
| 11-1746-6 | Adjusting Screw Complete              | 11-862     | Screw                               |
| 11-1786   | Cap Screw                             | 11-863     | Screw                               |
| 11-1787   | Cap Screw                             | 119463     | Mechanical Interlock                |
| 11-1788   | Cap Screw                             | 119836     | P200 Blowout Assembly               |
| 11-1802   | Sems Screw                            | 11-986     | Screw                               |
| 11-1812   | Adjusting Screw                       | 120087     | Hoist Bracket and Spacer            |
| 11-1841   | Set Screw                             | 120088     | Steel Base                          |
| 11-1865   | Adjusting Screw                       | 1214       | Nema 4 Contactor, 914               |
| 11-1908   | Hex Head Screw                        | 1215       | Contactor, Single Pole Normaly Open |
| 11-2051   | Screw                                 | 1216       | Contactor, 70-7853                  |
| 11-2051-2 | Screw                                 | 1216-4     | Washer, Non-Asbestos                |
| 11-2054   | Screw                                 | 1217       | Contactor                           |
| 11-2060   | Hex Head Screw                        | 12-235     | Groove Pins                         |
| 11-2061   | Hex Head Screw                        | 13-1012-30 | Pin                                 |
| 11-2212   | Screw                                 | 13-1017-10 | Pin                                 |
| 112392    | 503 Coil, 35 HP 128 Amp               | 13-1027    | Pin                                 |
| 11-2412   | Screw                                 | 13-1079-17 | Pin                                 |
| 11-2746   | Screw                                 | 13-1079-29 | Pin                                 |
| 11-2839   | Hex Screw                             | 13-1089-11 | Pin                                 |
| 11-2840   | Special Screw                         | 13-1089-12 | Pin                                 |
| 11-2844   | Adjusting Screw Assembly              | 13-1145-12 | Pin                                 |
| 11-302-2  | Adjusting Screw                       | 13-1145-13 | Pin                                 |
| 11-3046   | Self Locking Bolt                     | 13-1145-2  | Pin                                 |

This document utilizes an interactive table of contents to help you jump from one section to another. Click the button to return to the table of contents.

**RETURN TO  
TABLE OF CONTENTS**

*SAFETY LIMIT STOPS*

*BRAKES*

*CONTACTORS*

*INDEX*

This document utilizes an interactive table of contents to help you jump from one section to another. Click the button to return to the table of contents.

**RETURN TO  
TABLE OF CONTENTS**

*SAFETY LIMIT STOPS*

*BRAKES*

*CONTACTORS*

*INDEX*

| OEM PART   | DESCRIPTION                  | OEM PART  | DESCRIPTION     |
|------------|------------------------------|-----------|-----------------|
| 13-1181-11 | Pin                          | 1321-1622 | Contact Segment |
| 13-1181-16 | Pin                          | 1321-1624 | Contact Segment |
| 13-1185-6  | Pin                          | 1321-163  | Contact Segment |
| 13-1192    | Shaft 7"                     | 1321-164  | Contact Segment |
| 1312-441   | Rivets                       | 1321-1644 | Contact Segment |
| 13-131-3   | Key                          | 1321-1645 | Contact Segment |
| 13-1344    | Adjusting Pin                | 1321-1646 | Contact Segment |
| 13-1369-17 | Shaft                        | 1321-1647 | Contact Segment |
| 13-1369-4  | Shaft                        | 1321-165  | Contact Segment |
| 13-1374-2  | Shaft                        | 1321-1651 | Contact Segment |
| 13-1377    | Pin                          | 1321-1658 | Contact Segment |
| 13-1392    | Shaft                        | 1321-1659 | Contact Segment |
| 13-1392-2  | Shaft Insulation             | 1321-166  | Contact Segment |
| 13-1403    | Key                          | 1321-1660 | Contact Segment |
| 13-1403-2  | Key                          | 1321-1661 | Contact Segment |
| 1314-10    | Stud for 2" Panel            | 1321-1662 | Contact Segment |
| 1314-100   | Pin for 1" Panel             | 1321-1663 | Contact Segment |
| 1314-104   | Stud for 2" Panel            | 1321-1664 | Contact Segment |
| 1314-1121  | Stud                         | 1321-1665 | Contact Segment |
| 13-1412    | Key                          | 1321-1667 | Contact Segment |
| 1314-22    | Stud                         | 1321-1668 | Contact Segment |
| 1314-2247  | Copper Stud                  | 1321-1669 | Contact Segment |
| 13-1445-4  | Pivot Pin                    | 1321-1671 | Contact Segment |
| 13-1445-5  | Adjusting Pin                | 1321-1672 | Contact Segment |
| 13-1445-6  | Adjusting Pin                | 1321-1688 | Contact Segment |
| 1314-5     | Stud                         | 1321-1689 | Contact Segment |
| 13-1466    | Shaft                        | 1321-1690 | Contact Segment |
| 13-1466-3  | Shaft Insulation             | 1321-1691 | Contact Segment |
| 1314-722   | Stud                         | 1321-1692 | Contact Segment |
| 1314-723   | Stud for 1" panel            | 1321-1693 | Contact Segment |
| 1314-724   | Stud for 1" and 1-1/2" Panel | 1321-1694 | Contact Segment |
| 1314-725   | Stud                         | 1321-1695 | Contact Segment |
| 1314-843   | Copper Stud                  | 1321-1699 | Contact Segment |
| 1314-844   | Stud for 3/4 Panel           | 1321-1700 | Contact Segment |
| 1314-845   | Stud For 1.5" Panel          | 1321-1701 | Contact Segment |
| 1314-9     | Stud For 1.5" Panel          | 1321-1702 | Contact Segment |
| 1314-962   | Stud for 2" Panel            | 1321-1703 | Contact Segment |
| 1315-1     | Shunt Nut                    | 1321-1704 | Contact Segment |
| 13-155     | Shaft                        | 1321-1705 | Contact Segment |
| 1316-12    | Shim Washer .008" Thick      | 1321-1706 | Contact Segment |
| 13-163     | Shaft                        | 1321-1708 | Contact Segment |
| 13-164     | Shaft                        | 1321-1709 | Contact Segment |
| 13-16564   | Case                         | 1321-1711 | Contact Segment |
| 13-170     | Shaft                        | 1321-1712 | Contact Segment |
| 13-1900    | Pin                          | 1321-1713 | Contact Segment |
| 13-1903    | Pin                          | 1321-1714 | Contact Segment |
| 13-197-5   | Pin                          | 1321-1716 | Contact Segment |
| 1321-101   | Contact Segment              | 1321-1717 | Contact Segment |
| 1321-109   | Contact Segment              | 1321-1718 | Contact Segment |
| 1321-112   | Contact Segment              | 1321-1721 | Contact Segment |
| 1321-114   | Contact Segment              | 1321-1724 | Contact Segment |
| 1321-1361  | Contact Segment              | 1321-1725 | Contact Segment |
| 1321-1364  | Contact Segment              | 1321-1726 | Contact Segment |
| 1321-1368  | Contact Segment              | 1321-1727 | Contact Segment |
| 1321-144   | Contact Segment              | 1321-1731 | Contact Segment |
| 1321-1607  | Contact Segment              | 1321-1733 | Contact Segment |
| 1321-1610  | Contact Segment              | 1321-182  | Contact Segment |
| 1321-1612  | Contact Segment              | 1321-234  | Contact Segment |
| 1321-1613  | Contact Segment              | 1321-24   | Contact Segment |
| 1321-1614  | Contact Segment              | 1321-245  | Contact Segment |
| 1321-1615  | Contact Segment              | 1321-258  | Contact Segment |
| 1321-1616  | Contact Segment              | 1321-259  | Contact Segment |
| 1321-1617  | Contact Segment              | 1321-297  | Contact Segment |
| 1321-162   | Contact Segment              | 1321-342  | Contact Segment |
| 1321-1621  | Contact Segment              | 1321-343  | Contact Segment |

| OEM PART     | DESCRIPTION     | OEM PART    | DESCRIPTION                    |
|--------------|-----------------|-------------|--------------------------------|
| 1321-344     | Contact Segment | 1326-1651   | Contact Segment                |
| 1321-385     | Contact Segment | 1327-1615-A | Contact Segment                |
| 1321-388     | Contact Segment | 13-285      | Pin                            |
| 1321-390     | Contact Segment | 13-317-10   | Pin                            |
| 1321-391     | Contact Plate   | 13-3176-3   | Pin                            |
| 1321-394     | Contact Segment | 13-317-9    | Pin                            |
| 1321-395     | Contact Segment | 13-3186     | Spring Pin                     |
| 1321-397     | Contact Segment | 13-3186-1   | Roll Pin                       |
| 1321-401     | Contact Segment | 13-3186-12  | Spring Pin                     |
| 1321-402     | Contact Segment | 13-3186-13  | Spring Pin                     |
| 1321-407     | Contact Segment | 13-3186-2   | Spring Pin                     |
| 1321-408     | Contact Segment | 13-3186-21  | Spring Pin                     |
| 1321-415     | Contact Segment | 13-3186-5   | Spring Pin                     |
| 1321-417     | Contact Segment | 13-3186-6   | Spring Pin                     |
| 1321-423     | Contact Segment | 13-3186-7   | Spring Pin                     |
| 1321-425     | Contact Segment | 13-3186-9   | Spring Pin                     |
| 1321-428     | Contact Segment | 13-3187-1   | Roll Pin                       |
| 1321-429     | Contact Segment | 13-3187-12  | Spring Pin                     |
| 1321-434     | Contact Segment | 13-3187-2   | Spring Pin                     |
| 1321-436     | Contact Segment | 13-3187-5   | Roll Pin                       |
| 1321-442     | Contact Segment | 13-3187-6   | .156 Spring Pin                |
| 1321-450     | Contact Segment | 13-3239-2   | Shaft                          |
| 1321-455     | Contact Segment | 13-3307-6   | Pin                            |
| 1321-456     | Contact Segment | 13-3485     | Sounding Pin                   |
| 1321-461     | Contact Segment | 13-3485-2   | Sounding Pin                   |
| 1321-471     | Contact Segment | 13-3485-3   | Sounding Pin                   |
| 1321-472     | Contact Segment | 13-3527     | Pin                            |
| 1321-491     | Contact Segment | 13-3656     | Movable Assembly Shaft         |
| 1321-493     | Contact Segment | 13-3656-2   | Movable Shaft Assembly         |
| 1321-495     | Contact Segment | 13-3663     | Pin                            |
| 1321-529     | Contact Segment | 13-3830-2   | Moveable Shaft                 |
| 1321-533     | Contact Segment | 13-3830-3   | Stationary Shaft w/Insulation  |
| 1321-585     | Contact Segment | 13-3830-4   | Insulation Assembly            |
| 1321-61      | Contact Segment | 13-3830-5   | Insulation Assembly            |
| 1321-64      | Contact Segment | 13-3859     | Shaft                          |
| 1321-68      | Contact Segment | 13-3859-2   | Shaft                          |
| 1321-69      | Contact Segment | 13-3859-3   | Shaft                          |
| 1321-731     | Contact Segment | 13-3859-4   | Shaft                          |
| 1321-738     | Contact Segment | 13-3859-6   | Shaft                          |
| 1321-806     | Contact Segment | 13-3860     | Pin                            |
| 1321-807     | Contact Segment | 13-3862     | Pin                            |
| 1321-808     | Contact Segment | 13-3863     | Pin                            |
| 1321-820     | Contact Segment | 13-3864     | Pin and Spacers                |
| 1321-826     | Contact Segment | 13-3864-2   | Link Pin Assembly              |
| 1321-829     | Contact Segment | 13-3864-3   | Link Pin                       |
| 1321-841     | Contact         | 13-3879     | Stationary Shaft Complete      |
| 1321-852     | Contact Segment | 13-3879-10  | Movable Shaft Insulator        |
| 1321-856     | Contact Segment | 13-3879-2   | Movable Shaft Complete         |
| 1321-99      | Contact Segment | 13-3879-3   | Stationary Shaft Complete      |
| 1323-1484    | Contact         | 13-3879-4   | Movable Shaft Complete         |
| 1323-15      | Contact         | 13-3879-7   | Insulation Assembly            |
| 1323-1604    | Contact         | 13-3879-8   | Insulation Assembly (Moveable) |
| 1323-1721    | Contact         | 13-3879-9   | Stationary Shaft Insulator     |
| 1323-1724    | Contact         | 13-3883     | Stationary Shaft Complete      |
| 1323-2001-F  | Contact Finger  | 13-3883-2   | Movable Shaft Complete         |
| 1323-2044F1  | Contact Finger  | 13-3883-3   | Insulation Assembly            |
| 1323-2046-F1 | Contact Finger  | 13-3883-4   | Insulation Assembly            |
| 1323-2202    | Contact Finger  | 13-3888     | Stationary Shaft               |
| 1323-2405-F1 | Contact Finger  | 13-3888-2   | Movable Shaft Complete         |
| 1323-259A    | Laminated Brush | 13-3888-3   | Stationary Shaft Insulator     |
| 1323-261A    | Laminated Brush | 13-3888-4   | Movable Shaft Insulator        |
| 1323-263A    | Laminated Brush | 13-3961     | Shaft                          |
| 1325-46A     | Shunt           | 13-3962     | Adjusting Pin                  |
| 1325-514     | Contact Finger  | 13-3978     | Pin (For Pull Rod)             |
| 1325-74      | Contact Segment | 1340-2365   | Contact Finger                 |

This document utilizes an interactive table of contents to help you jump from one section to another. Click the button to return to the table of contents.

**RETURN TO  
TABLE OF CONTENTS**

*SAFETY LIMIT STOPS*

*BRAKES*

*CONTACTORS*

*INDEX*



This document utilizes an interactive table of contents to help you jump from one section to another. Click the button to return to the table of contents.

**RETURN TO  
TABLE OF CONTENTS**

*SAFETY LIMIT STOPS*

*BRAKES*

*CONTACTORS*

*INDEX*

| OEM PART   | DESCRIPTION              | OEM PART   | DESCRIPTION             |
|------------|--------------------------|------------|-------------------------|
| 13-4026    | Spring Pin               | 14148H170A | Weight Lever, Straight  |
| 13-418     | Pin                      | 14148H171A | Weight Lever, RH        |
| 13-419     | Shaft                    | 14148H172A | Weight Lever, LH        |
| 13-4281    | Shaft                    | 14148H176A | Weight Lever, Straight  |
| 13-4281-3  | Shaft                    | 14148H183A | Weight Lever Straight   |
| 13-4289    | Pin                      | 14148H184A | Weight Lever Straight   |
| 13-4290    | Shaft                    | 14148H185A | Weight Lever, Straight  |
| 13-431     | Pin                      | 14-256-12  | Stud for 1" Panel       |
| 13-4330    | Shaft                    | 14-256-18  | Stud For 3/4" Panel     |
| 13-4330-2  | Shaft with clips         | 14-256-27  | Stud                    |
| 13-4330-3  | Shaft                    | 14-272     | Adjusting Stud          |
| 13-441-4   | Shaft                    | 14-273     | Stud                    |
| 13-441-5   | Pin                      | 14-274-10  | Stud for 2" Panel       |
| 13-4436    | Spring Pin               | 14-274-21  | Stud for 2" Panel       |
| 13-4634    | Pin                      | 14-274-22  | Stud for 1-1/2" Panel   |
| 13-4737    | Shaft, 6 Circuit         | 14-311-11  | Adjusting Stud          |
| 13-4737-2  | Shaft, 6 Circuit         | 14-359     | Stud                    |
| 13-4738    | Shaft, 12 Circuit        | 14-359-2   | Stud                    |
| 13-4739    | Shaft, 16 Circuit        | 14-381-27  | Stud                    |
| 13-474     | Base Pin                 | 14-381-5   | Stud                    |
| 13-4762    | Groove Pin               | 14-403-11  | Stud                    |
| 13-482     | Pin                      | 14-403-16  | Stud                    |
| 13-4928-2  | Shaft                    | 14-403-23  | Stud                    |
| 13-4989    | Pin                      | 14-403-26  | Stud                    |
| 13-4990    | Shaft                    | 14-403-27  | Stud                    |
| 13-4991    | Shaft                    | 14-403-30  | Stud                    |
| 13-4994    | Adjusting Pin            | 14-405     | Stud                    |
| 13-506-4   | Pin                      | 14-440     | Stud                    |
| 13-5065    | Pin                      | 14-446     | Stud                    |
| 13-506-9   | Pin (For Pull Rod)       | 14-507     | Stud                    |
| 13-5758    | Pin                      | 14-512-13  | Stud                    |
| 13-5758-2  | Adjusting Pin            | 14-512-14  | Stud                    |
| 13-587     | Adjusting Pin            | 14-512-21  | Stud                    |
| 13-591     | Adjusting Pin            | 14-512-22  | Stud                    |
| 13-593     | Adjusting Pin            | 14-512-23  | Stud                    |
| 13-594     | Adjusting Pin            | 14-512-7   | Stud                    |
| 13-595     | Adjusting Pin            | 14-512-9   | Stud                    |
| 13-596     | Adjusting Pin            | 14-520     | Stud                    |
| 13-599     | Adjusting Pin            | 14-527     | Stud                    |
| 13-599-2   | Adjusting Pin            | 14-528     | Stud                    |
| 13-600     | Adjusting Pin            | 14-528-10  | Stud                    |
| 13-601     | Adjusting Pin            | 14-528-13  | Stud                    |
| 13-620-5   | Pin                      | 14-528-14  | Stud                    |
| 13-716     | Shaft                    | 14-528-16  | Stud                    |
| 13-719     | Pin                      | 14-528-18  | Stud                    |
| 13-733-13  | Pin                      | 14-536     | Stud                    |
| 13-734     | Adjusting Pin            | 14-536-2   | Stud                    |
| 13-734-2   | Adjusting Pin            | 14-536-3   | Stud                    |
| 13-7715    | Pin                      | 14-541     | Adjusting Stud          |
| 13-8061    | Shaft                    | 14951      | Cam Operated Controller |
| 13-8085    | Shaft with Cotter Pin    | 15-106     | Wingnut                 |
| 13-84      | Pin                      | 15-152     | Nut                     |
| 13-840     | Pin                      | 15-153     | Nut                     |
| 13-898-9   | Pin                      | 15-154     | Nut                     |
| 13-902-7   | Pin                      | 15-155     | Nut                     |
| 13-969-6   | Pin                      | 1516-321   | Insulating Washer       |
| 13-969-9   | Pin                      | 1519-276   | Shaft Insulation        |
| 14-117     | Stud                     | 1519-279   | Insulation              |
| 14-141-2   | Adjusting Stud Assembly  | 1519-332   | Insulation              |
| 14-143     | Adjusting Stud           | 1519-344   | Insulation              |
| 14148H139A | Weight                   | 1519-429   | Shaft Insulation        |
| 14148H140A | Weight Lever, Straight   | 1519-93    | Insulation              |
| 14148H141A | Weight Lever, Right Hand | 15-2161    | Huglock Assy.           |
| 14148H142A | Weight Lever, Left Hand  | 15-2162    | Hex Jam Nut             |
| 14148H169A | Weight                   | 15-231     | Self Locking Nut        |

PHONE (800) 310-5999 FAX (330) 648-2774

© 2014 The Ohio Contact Company

| OEM PART  | DESCRIPTION                       | OEM PART   | DESCRIPTION           |
|-----------|-----------------------------------|------------|-----------------------|
| 15-292    | Lock Nut                          | 16-1944-2  | Steel Washer          |
| 15-299    | Locknut                           | 16-1944-3  | Coil Washer Steel     |
| 15-2F1    | Nut                               | 16-1963    | Spring Plate          |
| 15-300    | Lock Nut                          | 16-1976    | Brass Washer          |
| 15-321    | Cap Nut                           | 16-1981    | Washer                |
| 15-322    | Nut                               | 16-1982    | Washer                |
| 15-330    | Nut                               | 16-1983    | Washer                |
| 15-330-2  | Nut                               | 16-2013    | Washer                |
| 15-332    | Spacer Nut                        | 16-2014    | Shim Washer           |
| 15-399    | Nut                               | 16-2016    | Shim Washer           |
| 15-416-3  | Nut                               | 16-231     | Solenoid Washer       |
| 15-416-4  | Nut                               | 16-2315    | Washer                |
| 15-54     | Lock Nut                          | 16-2316    | Washer                |
| 15-541    | Adjusting Stud Nut                | 16-2354    | Washer                |
| 15-594    | Nut                               | 16-2359    | Shim Washer           |
| 15-594-3  | Nut                               | 16-2388    | Washer                |
| 15-594-4  | Nut                               | 16-241     | Brass Washer          |
| 15-594-5  | Nut                               | 16-244     | Bakelite Washer       |
| 15-594-6  | Nut                               | 16-246     | Lock Washer           |
| 15-595-2  | Nut                               | 16-252     | Brass Washer          |
| 15-595-4  | Nut                               | 16-253     | Bakelite Washer       |
| 15-595-5  | Nut                               | 16-254     | Coil Washer           |
| 15-610    | Locknut                           | 16-255     | Coil Washer           |
| 15-634    | Lock Nut                          | 16-2632    | Cup Washer            |
| 15-663    | Nut                               | 16-2995    |                       |
| 15-670    | Nut (Huglock)                     | 16-319     | Shim Washer           |
| 15-673    | Nut (Huglock)                     | 16-320     | Washer                |
| 15-680    | Locknut                           | 16-357     | Shim Washer           |
| 15-681    | Nut (Huglock)                     | 16-390     | Bakelite Washer       |
| 15-682    | Nut (Huglock)                     | 16-391     | Brass Washer          |
| 15-753    | Hugnut                            | 16-398     | Brass Washer          |
| 15-774    | Adjusting Stud Nut                | 16-399     | Bakelite Washer       |
| 15-776    | Adjusting Stud Nut                | 16-403-15  | Washer                |
| 15-797    | Self Locking Cup Nut              | 16-414     | Spring Washer         |
| 15-834-2  | Spacer                            | 16-42      | Lockwasher            |
| 15-842    | Adjusting Nut                     | 16-426     | Brass Washer          |
| 15-862    | Adjusting Nut                     | 16-626     | Shim Washer           |
| 15-863    | Hex Nut                           | 16-645-21  | Washer                |
| 15-877    | Replaced by 15-958                | 16-687-6   | Insulating Washer     |
| 15-954-6  | Nut                               | 16-7188    | Tooth Washer          |
| 15-958    | Nut Replaced w/ 15-2161 & 15-2162 | 16-807-31  | Washer                |
| 159633G5  | Blowout Coil                      | 16-810     | Felt Washer           |
| 1606-48   | Gasket                            | 16826      | Publication           |
| 16-1066   | Tooth Washer                      | 16-840-11  | Washer                |
| 16-1067   | Tooth Washer                      | 16-840-21  | Insulating Washer     |
| 16-1294-8 | Steel Washer                      | 16-840-23  | Washer                |
| 16-1305-3 | Washer                            | 16-934-10  | Cup Washer            |
| 16-139    | Shim Washer                       | 16-934-11  | Cupwasher             |
| 16-1551   | Neoprene Washer                   | 16-969-2   | Insulating Washer     |
| 16-1551-2 | Neoprene Washer                   | 17-11147   | Magnet Frame          |
| 16-1551-3 | Neoprene Washer                   | 17-1120-2  | Magnet Frame          |
| 16-1552   | Steel Washer                      | 17-1145    | Contact Base          |
| 16-1598   | Spherical Washer                  | 17-1147    | Frame                 |
| 16-1598-2 | Spherical Washer                  | 17-1149    | Contact Base          |
| 16-1598-3 | Spherical Washer                  | 17-12017   | Base                  |
| 16-1598-4 | Washer                            | 17-12017   | Base                  |
| 16-1598-5 | Washer                            | 17-1230    | Side Plate            |
| 16-168    | Washer                            | 17-1250    | Side Plate            |
| 16-1747   | Spring Plate                      | 17-1498    | Magnet Frame          |
| 16-1837   | Disc                              | 17-1523    | Side Plate            |
| 16-1837-2 | Disc                              | 17-1531    | End Plate             |
| 16-1870   | Shim Washer                       | 17-15363-3 | Mtg. Plate            |
| 16-1879   | Shim Washer                       | 17-1544    | Mounting Block        |
| 16-1941-4 | Cup Washer                        | 17-17199   | Magnet Frame Assembly |
| 16-1944   | Steel Washer                      | 17-1901    | Side Plate            |

This document utilizes an interactive table of contents to help you jump from one section to another. Click the button to return to the table of contents.

**RETURN TO  
TABLE OF CONTENTS**

*SAFETY LIMIT STOPS*

*BRAKES*

*CONTACTORS*

*INDEX*

This document utilizes an interactive table of contents to help you jump from one section to another. Click the button to return to the table of contents.

**RETURN TO  
TABLE OF CONTENTS**

*SAFETY LIMIT STOPS*

*BRAKES*

*CONTACTORS*

*INDEX*

| OEM PART  | DESCRIPTION           | OEM PART  | DESCRIPTION                      |
|-----------|-----------------------|-----------|----------------------------------|
| 17-207-13 | Magnet Frame          | 17-7346   | Magnet Frame                     |
| 17-207-15 | Magnet Frame          | 17-7589   | Molded Base                      |
| 17-207-16 | Magnet Frame          | 17-7625   | Base                             |
| 17-207-4  | Magnet Frame          | 17-7813   | Mounting Plate                   |
| 17-207-6  | Magnet Frame          | 17-8047   | Base                             |
| 17-207-7  | Magnet Frame          | 17-8050   | Base                             |
| 17-2134   | Base Assembly         | 17-8050-2 | Base                             |
| 17-2134-2 | Base                  | 17-8466   | Magnet Frame                     |
| 17-2291   | Base R.H.             | 17-8736   | Mounting Block                   |
| 17-2292   | Base L.H.             | 17-8768   | Mounting Block                   |
| 17-2293   | Side Plate            | 17-8827   | Mounting Block                   |
| 17-2294   | Base                  | 18-100    | Contact Bracket                  |
| 17-2295   | Side Plate            | 18-100-12 | Contact Bracket w/Pin            |
| 17-241    | Pivot Block           | 18-1083   | Bumper                           |
| 17-242    | Base                  | 18-1157   | Bumper                           |
| 17-2482   | Base Assembly         | 18-1187   | Stop Block                       |
| 17-2585   | Base                  | 18-1196   | Stop Post                        |
| 17-2586   | Left Hand Base        | 18-1198   | Stop Block                       |
| 17-2587   | Right Hand Base       | 18-1259-3 | D.C. Core                        |
| 17-3028   | Mounting Block        | 18-1342-2 | Hold Out Coil Post               |
| 17-317    | Magnet Frame 25 Cycle | 18-1342-3 | Post                             |
| 17-317-2  | Magnet Frame 60 Cycle | 18-1351   | Contact Post                     |
| 17-4666   | Base                  | 18-1376   | Contact Post                     |
| 17-4666-1 | Base                  | 18-1377-1 | Contact Post                     |
| 17-4666-4 | 13" Base              | 18-1378   | Contact Post                     |
| 17-4725-1 | 19" Base              | 18-1395   | Contact Post                     |
| 17-4725-5 | 19" Base              | 18-1395-2 | Contact Post                     |
| 17-473-2  | Pivot Block           | 18-1398   | Bumper                           |
| 17-474    | Base                  | 18-1398-2 | Bumper                           |
| 17-476    | Magnet Frame          | 18-1404   | Stop Block                       |
| 17-4800-3 | 10" Brake Base        | 18-1410   | Contact Post w/Copper Contact    |
| 17-4834-1 | Base                  | 18-1417   | Contact Post                     |
| 17-488    | Solenoid Frame        | 18-1475   | Stop Block                       |
| 17-515    | Base                  | 18-1476   | Bumper                           |
| 17-516    | Block                 | 18-1491   | Stop Block                       |
| 17-5282   | Frame                 | 18-1492   | Stop                             |
| 17-5625   | End Plate             | 18-1492-2 | Stop                             |
| 17-5787   | Side Plate            | 18-1492-3 | Stop                             |
| 17-5864   | Base Left Hand        | 18-1500   | Stop                             |
| 17-5865   | Base Right Hand       | 18-1576   | Stop                             |
| 17-6371-2 | Base                  | 18-1625   | Contact Post                     |
| 17-6371-3 | Base                  | 18-1625-2 | Contact Post with Silver Contact |
| 17-6371-4 | Base                  | 18-1842-2 | Hold Out Coil Post               |
| 17-6904   | Magnet Frame          | 18-1962   | Stop Plate                       |
| 17-6909   | Mounting Plate        | 18-219-5  | Shaft                            |
| 17-6934   | Base                  | 18-221    | Contact Bracket, Oil Immersed    |
| 17-6934-2 | Base                  | 18-240-16 | Contact Support Complete         |
| 17-6943   | Magnet Frame          | 18-240-8  | Contact Support Complete         |
| 17-709-2  | Base                  | 18-261    | Contact Post                     |
| 17-7102   | Base                  | 18-32     | Coil                             |
| 17-710-2  | Base                  | 18-415    | Contact Support                  |
| 17-7109   | Mounting Plate        | 18-444-26 | Contact Post                     |
| 17-711-2  | Base                  | 18-494    | Contact Post                     |
| 17-7114   | Magnet Frame          | 18-497-4  | Armature Lever Stop              |
| 17-7117   | Molded Base           | 18-506    | Contact Post                     |
| 17-712-2  | Base                  | 18-528-2  | Contact Post                     |
| 17-7129   | Molded Base           | 18-548    | Post                             |
| 17-713-2  | Base                  | 18-59-5   | Strap                            |
| 17-714-2  | Base                  | 18-59-9   | Shim                             |
| 17-715-2  | Base                  | 18-615-15 | Neoprene Sleeve                  |
| 17-7156   | Molded Base           | 18-738    | Contact Support                  |
| 17-7193   | Magnet Frame          | 18-739    | Contact Support Complete         |
| 17-7215   | Magnet Frame          | 18-807    | Armature Lever Stop              |
| 17-7275   | Magnet Frame          | 19-1164   | Lock Strip                       |
| 17-7340   | Molded Base           | 19-1164-2 | Lock Strip                       |

| OEM PART   | DESCRIPTION           | OEM PART  | DESCRIPTION                         |
|------------|-----------------------|-----------|-------------------------------------|
| 19-1248-26 | Spacer Plate          | 20-1439   | Bearing Cap                         |
| 19-1248-3  | Clamp                 | 20-201    | Coil                                |
| 19-1307    | Shim                  | 20-2102   | Upper Bearing Support               |
| 19-1366    | Shim                  | 20-2105   | Lower Bearing Support               |
| 19-1367    | Shim                  | 20-2156   | Upper Bearing Support LH Drilled    |
| 19-1371    | Strap                 | 20-2156-2 | Upper Bearing Support, R.H. Drilled |
| 19-1396    | Spacer                | 20-2384   | Flanged Bronze Bearing              |
| 19-1586-6  | Strap                 | 20-2386   | Flanged Bronze Bearing              |
| 19-1688-3  | Stop Plate .102 Thick | 20-2387   | Flange Bearing                      |
| 19-1688-4  | Stop Plate .102 Thick | 20-2494-2 | Bearing                             |
| 19-1688-5  | Stop Plate .102 Thick | 20-2494-3 | Armature Bearing                    |
| 19-1841    | Shim                  | 20-2494-4 | Armature Bearing                    |
| 19-1841-2  | Shim                  | 20-2494-5 | Armature Bearing                    |
| 19-3220    | Stop Plate .093 Thick | 20-2494-6 | Armature Bearing                    |
| 19-3220-11 | Stop Plate .102 Thick | 20-253    | Needle Bearing                      |
| 19-3220-12 | Stop Plate .105 Thick | 20-269    | Ball Bearing                        |
| 19-3220-3  | Stop Plate .102 Thick | 20-288    | Bearing Bracket                     |
| 19-3220-4  | Stop Plate .105 Thick | 20-288-2  | Bearing Bracket                     |
| 19-3220-5  | Stop Plate .093 Thick | 20-291    | Bearing Bracket                     |
| 19-3220-7  | Stop Plate .102 Thick | 20-292    | Bearing Housing with Bearing        |
| 19-3220-8  | Stop Plate .105 Thick | 20-299    | Needle Bearing                      |
| 19-3220-9  | Stop Plate .093 Thick | 20-755    | Seal Bearing                        |
| 19-322-7   | Stop Plate .102 Thick | 20-960    | Bearing Cap                         |
| 19-3314    | Spacer                | 20-961    | Bearing Cap                         |
| 19-359     | Shim                  | 20-964    | Ball Bearing                        |
| 19-552     | Pressure Plate        | 21"       | 21" Series Brake Coil 100 HP        |
| 19-945-6   | Strap                 | 21-013    | Segment                             |
| 19-945-7   | Strap                 | 21-103    | Segment                             |
| 19-958-17  | Pad                   | 21-1097   | Segment                             |
| 19-972-16  | Stop Plate            | 21-1097-2 | Segment                             |
| 19-972-17  | Stop Plate .105 Thick | 21-1097-3 | Segment                             |
| 19-972-18  | Stop Plate .105 Thick | 21-115    | Segment                             |
| 19-972-4   | Stop Block            | 21-116    | Segment                             |
| 19-972-5   | Stop Plate .093 Thick | 21-117    | Segment                             |
| 19-972-6   | Stop Block            | 21-118    | Segment                             |
| 19-972-7   | Stop Plate .093 Thick | 21-119    | Segment                             |
| 19-972-8   | Stop Block            | 21-120    | Segment                             |
| 19-972-9   | Stop Plate .093 Thick | 21-122    | Segment                             |
| 19-982-19  | Lock Strip            | 21-123    | Segment                             |
| 19-982-20  | Lock Strip            | 21-124    | Segment                             |
| 19-982-23  | Lock Strip            | 21-125    | Segment                             |
| 19-982-24  | Lock Strip            | 21-126    | Segment                             |
| 19-982-26  | Lock Strip            | 21-127    | Segment                             |
| 19-982-27  | Lock Strip            | 21-128    | Segment                             |
| 19-982-28  | Locking Strip         | 21-129    | Segment                             |
| 19-982-29  | Locking Strip         | 21-130    | Segment                             |
| 19-989-19  | Strap                 | 21-136    | Segment                             |
| 19-989-20  | Strap                 | 21-138    | Segment                             |
| 20-1011    | Roller Bearing        | 21-139    | Segment                             |
| 20-102     | Bearing               | 21-16     | Segment                             |
| 20-1027    | Sealed Bearing        | 21-17     | Segment                             |
| 20-1027-2  | Sealed Bearing        | 21-18     | Segment                             |
| 20-1031    | Sealed Bearing        | 21-20     | Segment                             |
| 20-1031-2  | Bearing               | 21-215    | Segment                             |
| 20-1032    | Bearing Cap           | 21-216    | Segment                             |
| 20-1033    | Bearing Cap           | 21-219    | Contact Bar                         |
| 20-1034    | Sealed Ball Bearing   | 21-22     | Segment                             |
| 20-1047    | Bearing Cap           | 21-24     | Segment                             |
| 20-1048    | Bearing Cap           | 21-28     | Segment                             |
| 20-1051    | Sealed Bearing        | 21-30     | Segment                             |
| 20-1052    | Sealed Bearing        | 21-31     | Segment                             |
| 20-1061    | Bearing               | 21-32     | Segment                             |
| 20-1065    | Sealed Ball Bearing   | 21-37     | Segment                             |
| 20-1067    | Bearing Cap           | 21-373    | Segment                             |
| 20-123     | Contact Lever Support | 21-374    | Segment                             |

This document utilizes an interactive table of contents to help you jump from one section to another. Click the button to return to the table of contents.

**RETURN TO  
TABLE OF CONTENTS**

*SAFETY LIMIT STOPS*

*BRAKES*

*CONTACTORS*

*INDEX*



This document utilizes an interactive table of contents to help you jump from one section to another. Click the button to return to the table of contents.

**RETURN TO  
TABLE OF CONTENTS**

*SAFETY LIMIT STOPS*

*BRAKES*

*CONTACTORS*

*INDEX*

| OEM PART  | DESCRIPTION                   | OEM PART  | DESCRIPTION                        |
|-----------|-------------------------------|-----------|------------------------------------|
| 21-379    | Segment                       | 23-1647   | Stationary Contact                 |
| 21-38     | Segment                       | 23-177    | Movable Contact                    |
| 21-380    | Segment                       | 23-1774   | Movable Contact Tip                |
| 21-385    | Contact Plate                 | 23-1886   | Contact                            |
| 21-387    | Contact Bracket               | 23-2103   | T-Bar                              |
| 21-387-2  | Stationary Contact Bracket    | 23-2103-2 | T-Bar                              |
| 21-387-3  | Stationary Contact Bracket    | 23-2103-3 | T-Bar                              |
| 21-394    | Contact Finger with Connector | 23-2103-5 | T-Bar                              |
| 21-4      | Segment                       | 23-2440   | Contact                            |
| 21-40     | Segment                       | 23-2447   | Contact                            |
| 21-41     | Segment                       | 23-2448   | Stationary Contact                 |
| 21-435    | Segment                       | 23-2448-2 | Stationary Contact                 |
| 21-436    | Segment                       | 23-2845-2 | Silver Faced Contact               |
| 21-437    | Segment                       | 23-2892   | Stationary Contact                 |
| 21-438    | Segment                       | 23-2893   | Movable Contact                    |
| 21-440    | Segment                       | 23-3052-2 | Contact                            |
| 21-441    | Segment                       | 23-3286   | Contact                            |
| 21-443    | Segment                       | 23-3311   | Clip                               |
| 21-45     | Segment                       | 23-3311-3 | Protecting Clip                    |
| 21-470    | Stationary Contact Bracket    | 23-3318   | Contact Button                     |
| 21-471    | Contact Finger with Connector | 23-3344   | Movable Contact                    |
| 21-481    | Segment                       | 23-3439   | Stationary Contact                 |
| 21-482    | Segment                       | 23-3449   | Contact, w/ Silver Face            |
| 21-483    | Segment                       | 23-3449-3 | Contact Tip with Silver Insert     |
| 21-484    | Segment                       | 23-3466   | Contact                            |
| 21-485    | Segment                       | 23-3514   | Contact                            |
| 21-486    | Segment                       | 23-3926   | Tip                                |
| 21-487    | Segment                       | 23-4026   | Contact                            |
| 21-488    | Segment                       | 23-4079   | Contact, Nema 8A                   |
| 21-489    | Segment                       | 23-408    | Tip                                |
| 21-490    | Segment                       | 23-4080   | Silver Contact, Nema 8A            |
| 21-505    | Movable Contact               | 23-411    | Tip                                |
| 21-620    | Segment                       | 23-4168   | Main Moveable Contact              |
| 21-620-2  | Segment                       | 23-435    | Contact                            |
| 21-670    | Segment                       | 23-4595   | Movable Contact                    |
| 21-671    | Segment                       | 23-4596   | Stationary Contact                 |
| 21-672    | Segment                       | 23-5015   | Movable Contact                    |
| 21-688    | Segment                       | 23-5017   | Stationary Contact                 |
| 21-914    | Segment                       | 23-713    | Contact                            |
| 21-915    | Segment                       | 23-717    | Contact                            |
| 21-917    | Segment                       | 23-812    | Contact, Silver Tipped             |
| 21-962    | Segment                       | 23-813    | Contact, Silver Faced              |
| 2222-1485 | Spacer                        | 24-1186   | Armature Lever                     |
| 2222-32   | Arc Shield                    | 24-1201-2 | Armature Lever Complete            |
| 2222-33   | Arc Barrier                   | 24-1218   | Armature Lever                     |
| 2222-386  | Spacer                        | 24-1226   | Armature Lever                     |
| 2222-402  | Spacer                        | 24-1274   | Armature Lever                     |
| 2222-48   | Spacer                        | 24-1275   | Armature Lever                     |
| 2222-483  | Spacer                        | 24-1276   | Armature Lever                     |
| 23"       | Manual Release Lever          | 24-1321-2 | Contact Lever w/Connector          |
| 23-1017   | Contact                       | 24-1321-4 | Contact Lever Left Hand            |
| 23-1042-2 | Silver Faced Contact          | 24-1321-6 | Contact Lever w/Connector          |
| 23-1044   | Contact                       | 24-1330   | Contact Lever w/Arc Guard          |
| 23-1191   | Tip                           | 24-1330-2 | Contact Lever Complete             |
| 23-1192   | Tip                           | 24-1332   | Contact Lever Complete w/Arc Guard |
| 23-1225   | Contact                       | 24-1332-2 | Contact Lever w/o Arc Guard        |
| 23-1258   | Contact (Silver Faced)        | 24-1348   | Armature Lever                     |
| 23-1288   | Contact w/Silver Insert       | 24-1348-3 | Armature Lever w/Core Plug         |
| 23-1289-3 | Contact Support Complete      | 24-1404   | Armature Lever                     |
| 23-1289A  | Contact Support Complete      | 24-1481   | Armature Lever                     |
| 23-1316   | Stationary Contact            | 24-1487   | Contact Lever w/Contact            |
| 23-1341   | Contact                       | 24-1498   | Contact Lever Assembly             |
| 23-1396   | Contact w/Silver Insert       | 24-1498-2 | Lever                              |
| 23-1405   | Contact                       | 24-1532   | Weight Lever Straight              |
| 23-1454   | Contact, Silver               | 24-1533   | Stop Lever                         |

| OEM PART   | DESCRIPTION                         | OEM PART  | DESCRIPTION                         |
|------------|-------------------------------------|-----------|-------------------------------------|
| 24-1596    | Lever                               | 24-4026   | Lever                               |
| 24-1597    | Lever                               | 24-4041   | Armature Lever                      |
| 24-1599    | Lever                               | 24-4065   | Armature with Contact Fingers       |
| 24-1611    | Cam Lever                           | 24-4065-3 | Armature Lever                      |
| 24-1615    | Contact Lever with Connector        | 24-4112   | Outer Shoe Lever                    |
| 24-1674-2  | Bracket Assembly                    | 24-4113   | Inner Shoe Lever                    |
| 24-1675    | Starwheel Lever                     | 24-4117-1 | Armature Lever                      |
| 24-1698    | Roller and Contact Support Assembly | 24-4118-1 | Lever                               |
| 24-1698-2  | Electrical Interlock                | 24-4119   | Contact Lever Complete              |
| 24-1705    | Roller & Contact Bracket            | 24-4119-2 | Contact Lever                       |
| 24-184-2   | Armature Lever                      | 24-4119-3 | L.H. Contact Lever, Complete        |
| 24-1914-1  | Contact Lever                       | 24-4119-4 | L.H. Contact Lever w/Connector      |
| 24-196-15  | Contact Lever with Arc Guard        | 24-4122   | Armature Lever                      |
| 24-196-2   | Contact Lever                       | 24-4122-2 | Armature Lever Assembly             |
| 24-196-4   | Contact Lever (Left Hand)           | 24-4123   | Contact Lever Complete              |
| 24-196-5   | Contact Lever w/o Arc Guard         | 24-4123-2 | Contact Lever - Replaced w/ 24-8297 |
| 24-196-7   | Contact Lever Complete L.H.         | 24-4123-3 | Contact Lever Complete              |
| 24-2145    | Bell Crank                          | 24-4123-4 | Contact Lever w/Connector           |
| 24-2146-2  | Outer Shoe Lever                    | 24-4125   | Armature Lever                      |
| 24-2146-3  | Inner Shoe/Lever                    | 24-4130   | Armature Lever                      |
| 24-2146-4  | Outer Shoe/Lever                    | 24-4131   | Armature Lever                      |
| 24-215     | Armature Lever                      | 24-4134   | Armature Lever                      |
| 24-2674    | Lever                               | 24-4135   | Armature                            |
| 24-2674-2  | Lever                               | 24-4135-1 | Armature                            |
| 24-2950-3  | Shoe Lever (Outer)                  | 24-4153-2 | Armature Lever                      |
| 24-2951-12 | Shoe Lever, Inner                   | 24-4166   | Contact Lever                       |
| 24-2951-9  | Shoe Lever (Inner)                  | 24-4170   | Stop Lever                          |
| 24-3107    | Armature Lever Assembly             | 24-4172   | Contact Lever                       |
| 24-3107-5  | Armature                            | 24-4173   | Cam Lever                           |
| 24-3226-12 | Shoe Lever (Inner)                  | 24-4174   | Contact Lever Only                  |
| 24-3226-14 | Shoe Arm (Inner)                    | 24-4175   | Contact Lever Complete              |
| 24-3227-3  | Shoe Lever (Outer)                  | 24-4175-2 | Contact Lever Complete              |
| 24-3227-4  | Shoe Lever (Outer)                  | 24-4175-3 | L.H. Contact Lever Complete         |
| 24-3262-5  | Shoe Lever (Inner)                  | 24-4175-4 | L.H. Contact Lever W/Connector      |
| 24-3262-8  | Shoe Lever (Inner)                  | 24-4175-5 | Contact Lever w/ Silver Contact     |
| 24-3263-4  | Shoe Lever (Outer)                  | 24-4175-6 | R.H. Contact Lever W/Connector      |
| 24-3288-1  | Shoe Lever (Inner)                  | 24-4175-7 | R.H. Contact Lever Complete         |
| 24-3288-11 | Inner Shoe Lever                    | 24-4177   | Armature Lever                      |
| 24-3288-9  | Shoe Lever (Inner)                  | 24-4179   | Armature Lever                      |
| 24-3289-1  | Shoe Lever (Outer)                  | 24-4182   | Armature Lever                      |
| 24-3289-4  | Shoe Lever (Outer)                  | 24-4204   | Contact Lever Only                  |
| 24-3304-5  | Shoe Lever (Inner)                  | 24-4205   | Contact Lever Complete              |
| 24-3304-8  | Shoe Lever (Inner)                  | 24-4205-2 | Contact Lever                       |
| 24-3305-4  | Shoe Lever (Outer)                  | 24-4205-7 | Contact Lever w/ Silver Contact     |
| 24-3313    | Lever                               | 24-4206-2 | Armature Lever                      |
| 24-3314    | Operating Lever Assembly            | 24-4207-2 | Armature Lever                      |
| 24-3314-2  | Straight Operating lever w/o Latch  | 24-4208-2 | Armature Lever                      |
| 24-3320    | Shoe Lever (Inner)                  | 24-4317   | Weight Lever, Straight              |
| 24-3320-1  | Shoe Lever (Inner)                  | 24-4317-2 | Weight Lever, LH                    |
| 24-3320-6  | Shoe Lever (Inner)                  | 24-4317-3 | Weight Lever, RH                    |
| 24-3320-8  | Shoe Lever (Inner)                  | 24-4321   | Lever                               |
| 24-3321    | Shoe Lever (Outer)                  | 24-4404   | Lever                               |
| 24-3321-4  | Shoe Lever (Outer)                  | 24-4406   | Contact Lever                       |
| 24-3607    | Weight Lever (Straight)             | 24-4407   | Stop Lever                          |
| 24-3980    | Armature Lever                      | 24-4424   | Lever                               |
| 24-3980-2  | Armature Lever                      | 24-4441-2 | Contact Lever Assembly              |
| 24-3980-3  | Armature Lever                      | 24-4442   | Cam Lever                           |
| 24-3981    | Armature Lever R.H.                 | 24-4443   | Stop Lever                          |
| 24-3981-2  | Armature Lever L.H.                 | 24-4446-2 | Contact Lever                       |
| 24-3981-3  | Armature Lever                      | 24-4448   | Cam Lever                           |
| 24-3982    | Armature Lever                      | 24-4451-3 | Armature Lever                      |
| 24-3982-2  | Armature Lever                      | 24-4552   | Stop Lever                          |
| 24-3982-3  | Armature Lever                      | 24-4584   | Contact Lever Complete              |
| 24-4024    | Operating Lever                     | 24-4584-2 | Contact Lever Complete              |
| 24-4025-2  | Armature Lever                      | 24-4584-3 | Contact Lever w/ Silver Contact     |

This document utilizes an interactive table of contents to help you jump from one section to another. Click the button to return to the table of contents.

**RETURN TO  
TABLE OF CONTENTS**

*SAFETY LIMIT STOPS*

*BRAKES*

*CONTACTORS*

*INDEX*

This document utilizes an interactive table of contents to help you jump from one section to another. Click the button to return to the table of contents.

**RETURN TO  
TABLE OF CONTENTS**

*SAFETY LIMIT STOPS*

*BRAKES*

*CONTACTORS*

*INDEX*

| OEM PART   | DESCRIPTION                        | OEM PART  | DESCRIPTION                         |
|------------|------------------------------------|-----------|-------------------------------------|
| 24-4585    | Armature Lever                     | 24-864    | Lever                               |
| 24-4653    | Lever                              | 24-913-10 | Assembled 913 Armature              |
| 24-4678    | Armature Lever                     | 24-916-10 | Assembled 916 Armature              |
| 24-4687-3  | Armature Lever                     | 24-920-10 | Contact Lever and Armature Assembly |
| 24-4688-3  | Holdout Coil Post                  | 25-1472-2 | Connector                           |
| 24-4689    | Armature Lever                     | 25-1472-3 | Connector                           |
| 24-4690    | Holdout Coil Post                  | 25-1472-4 | Connector                           |
| 24-4699    | Contact Lever                      | 25-1473   | Connector                           |
| 24-4809    | Contact Lever w/ Bolt on Connector | 25-1474   | Connector                           |
| 24-4809-3  | Contact Lever w/ Bolt on Connector | 25-1527   | Connector                           |
| 24-4809-4  | Contact Lever w/ Silver Contact    | 25165-1   | Shaft                               |
| 24-4812    | Contact Lever                      | 25-1790   | Connector                           |
| 24-489-5   | Contact Lever                      | 25-1798   | Connector                           |
| 24-5124    | Inner Shoe Lever                   | 25-1814   | Bus Bar                             |
| 24-5124-3  | Inner Shoe Lever                   | 25-1814-2 | Bus Bar                             |
| 24-5125    | Inner Shoe Lever                   | 25-1814-3 | Bus Bar                             |
| 24-5125-3  | Inner Shoe Lever                   | 25-1814-4 | Bus Bar                             |
| 24-5316-10 | Lever with Latch                   | 25-1816   | Connector                           |
| 24-5316-11 | Shaft With Bearings And Gear       | 25-1817   | Bus Bar                             |
| 24-5316-2  | Lever w/Latch                      | 25-1818   | Bus Bar                             |
| 24-5316-5  | Shaft - Replaced with 24-5316-11   | 25-1818-2 | Bus Bar                             |
| 24-5316-6  | Lever without Latch                | 25-1818-3 | Bus Bar                             |
| 24-5316-7  | Lever with Latch                   | 25-1818-4 | Bus Bar                             |
| 24-5316-9  | Lever Without Latch                | 25-1819   | Bus Bar                             |
| 24-538     | Contact Lever & Connector          | 25-1819-2 | Bus Bar                             |
| 24-538-3   | Contact Lever                      | 25-1850   | Connector                           |
| 24-5400-3  | Pushbutton Type Lever w/o Latch    | 25-1906   | Bus Bar                             |
| 24-5400-4  | Pushbutton Type Lever with Latch   | 25-1906-2 | Bus Bar                             |
| 24-5534-1  | Contact Lever                      | 25-1907   | Bus Bar                             |
| 24-5534-2  | Contact Lever                      | 25-1911   | Bus Bar                             |
| 24-5535    | Armature                           | 25-1911-2 | Bus Bar                             |
| 24-5535-2  | Armature                           | 25-1927   | Connector                           |
| 24-5794    | Innses Shoe Lever                  | 25-1927-2 | Connector                           |
| 24-5795    | Shoe Lever (Outer)                 | 25-1927-3 | Connector                           |
| 24-6203    | Crank Pin Assembly                 | 25-1927-4 | Connector                           |
| 24-6385    | Shoe Lever (Inner)                 | 25-1927-5 | Connector                           |
| 24-6385-2  | Wedge Adjusting Screw              | 25-2006   | Connector                           |
| 24-6474-2  | Armature                           | 25-2006-2 | Connector                           |
| 24-738     | Stop Lever                         | 25-2095   | Left Hand Connector                 |
| 24-7791    | Contact Lever Complete             | 25-2099   | Connector                           |
| 24-7791-2  | Contact Lever Assembly             | 25-2190-2 | Connector                           |
| 24-7791-3  | Contact Lever                      | 25-2192   | Connector                           |
| 24-7791-5  | Contact Lever with Silver Contact  | 25-245    | Shunt                               |
| 24-7793    | Armature Lever                     | 25-254    | Connector                           |
| 24-7793-2  | Armature Lever                     | 25-259    | Connectors                          |
| 24-7794-2  | Armature Lever                     | 25-678    | Connector                           |
| 24-7796    | Contact Lever                      | 25-812    | Connector                           |
| 24-792     | Contact Lever Complete w/Arc Guard | 25-813    | Connector, 6 circuit                |
| 24-792-3   | Contact Lever, Complete            | 25-813-2  | Connector for 12 circuit            |
| 24-792-5   | Contact Lever Complete             | 25-828    | Connector                           |
| 24-807     | Contact Lever Left Hand            | 25-861    | Connector                           |
| 24-807-2   | Contact Lever Right Hand           | 25-900    | Connector                           |
| 24-816-2   | Armature Lever                     | 25-9252   | Bolt on Connector                   |
| 24-820-2   | Armature                           | 25-9284   | Bolt on Connector                   |
| 24-823-2   | Armature Lever                     | 25-9305   | Bolt on Connector                   |
| 24-825-2   | Contact Lever Complete             | 25-990    | Connector                           |
| 24-825-4   | Contact Lever, without Arc Guard   | 25-991    | Connector                           |
| 24-825-5   | Contact Lever Complete             | 26-1015   | Cylinder                            |
| 24-825-7   | Contact Lever (LH)                 | 26-1432-2 | Hydraulic Cylinder Assembly         |
| 24-8297    | Contact Lever Complete             | 26-1432-3 | Hydraulic Cylinder Assembly         |
| 24-8297-2  | Contact Lever Complete             | 26-2383   | Cylinder w/Mounting Block           |
| 24-8297-3  | Contact Lever Assembly             | 26-791    | Cylinder                            |
| 24-844     | Contact Lever                      | 26-793-2  | Hydraulic Cylinder                  |
| 24-845-2   | Armature Lever                     | 26-793-3  | Hydraulic Cylinder                  |
| 24-860     | Contact Lever                      | 26-794    | Hydraulic Fitting                   |

| OEM PART   | DESCRIPTION               | OEM PART    | DESCRIPTION              |
|------------|---------------------------|-------------|--------------------------|
| 27-1093    | Hydraulic Fitting         | 29-3482     | Bushing                  |
| 27-1094    | Bleeder                   | 29-3651     | Bushing                  |
| 27-1188    | Grease Fitting            | 29-368      | Tube                     |
| 27-1591    | Flexible Hose             | 29-3762     | Flange Bearing           |
| 27-1596    | Flexible Hose             | 29-466      | Shoe Lever Bushings      |
| 27-468     | Alemite Fitting           | 29-467      | Armature Bushings Only   |
| 27-82      | Grease Fitting            | 29-468      | Base Bushing             |
| 27-842     | Grease Fitting            | 29-469      | Bushings                 |
| 28-210     | Retaining Ring            | 29-470      | Base Bushing             |
| 28-42      | Retaining Ring            | 29-471      | Bushings                 |
| 28-495-10  | Ring                      | 29-472      | Base Bushing             |
| 28960-1    | Wood Stop and Cup         | 29-473      | Base Bushing             |
| 29-1127    | Spacer                    | 29-474      | Bushing                  |
| 29-1136    | Spacer                    | 29-4741     | Shoe Lever Bushings Only |
| 29-1255    | Tube                      | 29-531      | Retaining Ring           |
| 29-1255-10 | Tube                      | 29-541      | Spring Ring              |
| 29-1255-2  | Tube                      | 29-542      | Spring Ring              |
| 29-1255-3  | Tube                      | 29-550      | Insulator Tube           |
| 29-1255-4  | Tube                      | 29-5535     | Spacer                   |
| 29-1255-5  | Tube                      | 29-5535-2   | Spacer                   |
| 29-1255-6  | Tube                      | 29-5535-3   | Spacer                   |
| 29-1255-7  | Tube                      | 29-5535-4   | Spacer                   |
| 29-1255-8  | Tube                      | 29-569      | Spacer                   |
| 29-1255-9  | Tube                      | 29-612      | Bushing                  |
| 29-1264    | Retaining Ring            | 29-667      | Bushing                  |
| 29-1336    | Insulating Tube           | 29-695      | Tube                     |
| 29-1336-2  | Insulating Tube           | 29-696      | Spacer                   |
| 29-1336-3  | Insulating Tube           | 29-697      | Spacer                   |
| 29-1370-15 | Grommet                   | 29-698      | Tube                     |
| 29-1437    | Washer                    | 29-699      | Spacer                   |
| 29-1437-3  | Spacer                    | 29-721      | Insulating Tube          |
| 29-1440-2  | Spacer                    | 29-722      | Insulating Tube          |
| 29-1441-3  | Spacer                    | 29-735      | Insulating Tube          |
| 29-1449    | Roller                    | 29-754      | Insulating Tube          |
| 29-1455-27 | Washer                    | 29-80       | Spacer                   |
| 29-1459-2  | Tube                      | 30-1195     | Calibration Plate        |
| 29-1459-3  | Tube                      | 30B4377G01  | Coil                     |
| 29-1459-4  | Tube                      | 30B4377G03  | Coil, 550V               |
| 29-1465    | Roller                    | 3179-116-F1 | Contact Support          |
| 29-1537    | Spacer                    | 3179-116-F2 | Contact Support          |
| 29-1543-29 | Bronze Bearing            | 3179-118-F1 | Contact Support          |
| 29-1543-30 | Bearing                   | 3179-118-F2 | Contact Support          |
| 29-1577    | Roller                    | 32-1410     | Gasket                   |
| 29-1594-4  | Spacer                    | 32-1411     | Gasket                   |
| 29-1620-4  | Spacer                    | 32-239-17   | Gasket                   |
| 29-1620-5  | Spring Guide              | 32-239-20   | O Ring                   |
| 29-1829    | Bushing                   | 32-467      | Gasket                   |
| 29-1829-2  | Bushing                   | 32-467-10   | Gasket                   |
| 29-1890-3  | Shoe Bushing              | 32-467-11   | Gasket                   |
| 29-1890-6  | Shoe Lever Bushings       | 32-467-2    | Gasket                   |
| 29-1954-5  | Spacer                    | 32-467-3    | Dacron Felt              |
| 29-1954-6  | Spacer                    | 32-467-4    | Dacron Felt              |
| 29-219     | Spacer                    | 32-467-5    | Gasket                   |
| 29-2593-18 | Spacer                    | 32-467-6    | Gasket                   |
| 29-2607-8  | Core                      | 32-467-7    | Gasket                   |
| 29-2607-9  | Core                      | 32-467-8    | Felt                     |
| 29-2762    | Sounding Pin Bushing      | 32-467-9    | Felt                     |
| 29-2762-2  | Sounding Pin Bushing      | 32-50-10    | Felt                     |
| 29-2762-3  | Sounding Pin Housing      | 32-50-11    | Felt                     |
| 29-2779-5  | Bushing                   | 32-50-12    | Felt                     |
| 29-2796    | Interlock Roller Assembly | 32-50-13    | Felt                     |
| 29-2957    | Spacer                    | 32-50-8     | Felt                     |
| 29-2957-2  | Spacer                    | 32-50-9     | Felt                     |
| 29-3068    | Bushing                   | 3255-64-AZ  | Terminal Lug             |
| 29-3248    | Spring Guide              | 32-612      | Gasket                   |

This document utilizes an interactive table of contents to help you jump from one section to another. Click the button to return to the table of contents.

**RETURN TO  
TABLE OF CONTENTS**

*SAFETY LIMIT STOPS*

*BRAKES*

*CONTACTORS*

*INDEX*



This document utilizes an interactive table of contents to help you jump from one section to another. Click the button to return to the table of contents.

**RETURN TO  
TABLE OF CONTENTS**

*SAFETY LIMIT STOPS*

*BRAKES*

*CONTACTORS*

*INDEX*

| OEM PART       | DESCRIPTION                    | OEM PART   | DESCRIPTION                    |
|----------------|--------------------------------|------------|--------------------------------|
| 32-716         | Gasket                         | 4602-13    | PVC Tubing                     |
| 32-717         | Gasket                         | 460-222    | Coil                           |
| 3433-3         | Crosby Clip                    | 46-214     | Segment                        |
| 3455-9F1       | Clamp                          | 47-11059   | Cover                          |
| 3462-183F1     | Pole Piece                     | 47-11059-2 | Cover                          |
| 3479-236F1     | Contact Support                | 47-11059-3 | Cover (RH)                     |
| 35-43-3        | Rectifier                      | 47-11059-4 | Cover (LH)                     |
| 35-98-2        | Rectifier                      | 47-11301-3 | Cover                          |
| 36133-514      | Contact Kit                    | 47-11301-4 | Cover                          |
| 36-467-7       | Felt                           | 47-11313   | Locking Plate                  |
| 3679-88F1      | Spring Support                 | 47-11498   | Cover                          |
| 3679-89F1      | Spring Support                 | 47-11557   | Cover                          |
| 3679-90F1      | Spring Support                 | 47-11575   | Locking Plate                  |
| 3679-91F1      | Spring Support                 | 47-11733   | Cover                          |
| 3679-92F1      | Spring Support                 | 47-11733-2 | Cover                          |
| 369            | Contact                        | 47-11734   | Locking Plate                  |
| 39-1405        | Enclosure Case Assembly        | 47-11740   | Cover                          |
| 39-19218 It. 2 | Gasket, 12 Circuit             | 47-11744   | Cover                          |
| 39-19233 It. 2 | Gasket, 6 Circuit              | 47-1672    | Locking Plate                  |
| 39-19233 It. 3 | Gasket                         | 47-1673    | Cover                          |
| 39-19234 It. 2 | Gasket, 16 Circuit             | 47-1994    | Cover                          |
| 39-507         | Case                           | 47-20928   | Cover Assembly                 |
| 40-100         | Lever Assembly                 | 47-828     | Cover                          |
| 40-100-9       | Lever Assembly                 | 48-103-3   | 7" Brake Shoe w/lining         |
| 40-289         | Contact Lever Complete         | 48-1199    | Brake Lining for 7" CH Shoe    |
| 40-290         | Contact Finger w/Connector     | 48-1199-2  | Brake Lining for 7" Shoe       |
| 40-290-2       | Contact Finger w/Connector     | 48-1200-3  | 7" Brake Shoe w/lining         |
| 40-45          | Finger                         | 48-1260    | Magnet Armature (outer)        |
| 40-45-2        | Finger                         | 48-1261    | Magnet Armature                |
| 40-45-3        | Finger                         | 48-1267    | Shoe                           |
| 40-492-2       | Movable Contact Finger         | 48-1267-3  | Shoe                           |
| 40-492-3       | Contact Finger w/Silver        | 48-1267-4  | Shoe, w/Bonded Lining          |
| 40-497         | Bracket                        | 48-1268    | Shoe with Bonded Lining        |
| 40-497-3       | Bracket                        | 48-1268-4  | Shoe w/Bonded Lining           |
| 40-522         | Contact Finger (Silver Faced)  | 48-1277-2  | 30" Brake Shoe Assembly        |
| 40-522-4       | Contact Finger                 | 48-1278-3  | Lining And Support Plate       |
| 40-787         | Contact                        | 48-1462-3  | Shoe W/Riveted Lining          |
| 40-787-4       | Finger Contact                 | 48-1463-3  | Shoe W/Riveted Lining          |
| 40-787-5       | Movable Contact Finger         | 48-1604-3  | Brake Lining for 7" CH Shoe    |
| 40-848-4       | Contact Finger Assembly        | 48-1604-5  | Brake Lining Only              |
| 40-848-5       | Contact Tip with Connector     | 48-1605    | Brake Lining Type S 5-1/2"     |
| 40-94          | Lever Assembly                 | 48-1787    | Brake Shoe Assembly, 5-1/2"    |
| 40-94-14       | Lever Assembly                 | 48-1818    | Shoe Lining                    |
| 40-94-7        | Lever Assembly                 | 48-1818-2  | Lining                         |
| 42-143         | Condenser, 230 V, 25 MFD       | 48-1818-3  | Shoe Lining                    |
| 42-143-2       | Condenser, 115 V, 75 MFD       | 48-1818-4  | Lining                         |
| 42-143-5       | Condenser, 230 V, 50 MFD       | 48-1818-5  | Shoe Lining                    |
| 42-143-6       | Condenser, 115 V, 150 MFD      | 48-1818-6  | Shoe Lining                    |
| 4221-7         | Arc Guard                      | 48-1971    | Shoe with Bonded Lining        |
| 435A930G01     | Coil, 92V                      | 48-306     | Brake Shoe With Lining, 4"     |
| 435A967G01     | Coil, 125V                     | 48-320     | Brake Shoes w/Lining           |
| 4416-113       | Bakelite Washer                | 48-321     | Brake Shoes w/Lining Assembled |
| 4416-1242      | Washer                         | 48-322     | Brake Shoes w/Lining Assembled |
| 4416-1321      | Washer                         | 48-338-10  | Brake Lining                   |
| 4416-134       | Washer                         | 48-338-12  | Lining                         |
| 4416-1441      | Washer                         | 48-338-13  | Brake Lining                   |
| 4416-3         | Bakelite Washer                | 48-338-15  | Brake Lining                   |
| 4416-6242      | Washer                         | 48-338-16  | Brake Lining                   |
| 4416-721       | Bakelite Washer                | 48-338-18  | Brake Lining                   |
| 4416-841       | Insulating Washer              | 48-338-19  | Brake Lining                   |
| 4416-96        | Insulating Washer              | 48-338-2   | Brake Lining Type S 5-1/2"     |
| 44-1928        | 30-60 Amp, 2 Pole Knife Switch | 48-338-20  | Lining                         |
| 4429-172       | Tube                           | 48-338-21  | Shoe Lining                    |
| 4429-98        | Insulating Tube                | 48-338-22  | Lining                         |
| 460-13         | Blow-Out Coil                  | 48-338-23  | Shoe Lining                    |

| OEM PART    | DESCRIPTION                      | OEM PART    | DESCRIPTION                        |
|-------------|----------------------------------|-------------|------------------------------------|
| 48-338-24   | Shoe Lining                      | 49-197      | Guard                              |
| 48-338-25   | Shoe Lining                      | 49-1978     | Spring Gland                       |
| 48-338-4    | Brake Lining for 7" Shoe         | 49-2036     | Gland                              |
| 48-338-5    | Brake Lining                     | 49-206      | Guard                              |
| 48-338-6    | Brake Lining                     | 49-2153-2   | Gland                              |
| 48-366      | Hi-Torque Type M 30" Brake Shoe  | 49-2171     | Spring Gland                       |
| 48-554-2    | Brake Shoe                       | 49-2172-2   | Gland                              |
| 48-554-3    | Shoe with Bonded Lining          | 49-2194-2   | Gland                              |
| 48-554-3    | Brake Shoe, Unlined              | 49-2201-2   | Gland                              |
| 48-554-4    | Brake Shoe                       | 49-2212     | Gland                              |
| 48-554-5    | Brake Shoe                       | 49-2286     | Spring Gland                       |
| 48-554-6    | Brake Shoe                       | 49-2286-2   | Spring Gland                       |
| 48-554-7    | Shoe w/Bonded Lining             | 49-2287     | Spring Gland                       |
| 48-554-8    | Shoe w/Riveted Lining            | 49-2287-2   | Spring Gland                       |
| 48-555-14   | Outer Armature                   | 49-234      | Spring Support                     |
| 48-555-5    | Armature (Inner)                 | 49-237      | Spring Support                     |
| 48-555-6    | Armature (Outer)                 | 49-237-2    | Spring Support                     |
| 48-602      | Armature (Inner)                 | 49-239      | Arc Guard                          |
| 48-602-11   | Armature (Outer)                 | 49-240      | Arc Guard                          |
| 48-602-5    | Armature (Inner)                 | 49-2455     | Cover                              |
| 48-602-6    | Armature (Outer)                 | 49-3025     | Spring Gland                       |
| 48-603      | Shoe Only                        | 49-3029     | Spring Gland                       |
| 48-603-3    | Shoe                             | 49-3095     | Spring Gland                       |
| 48-603-5    | Shoe                             | 49-3095-1   | Spring Gland                       |
| 48-603-7    | Shoe w/Bonded Lining             | 49-3247-2   | Spring Gland                       |
| 48-603-8    | Shoe W/Riveted Lining            | 49-3247-4   | Spring Gland                       |
| 48-603-9    | Shoe                             | 49-3247-7   | Spring Gland                       |
| 48-611      | Shoe, Complete                   | 49-3247-8   | Spring Gland                       |
| 48-611-4    | Shoe w/Riveted Lining            | 49-3408     | Arc Guard                          |
| 48-611-ALUM | 19" Aluminum Brake Shoe Complete | 49-3467     | Spring Gland                       |
| 48-612-12   | Armature (Outer)                 | 49-367      | Arc Guard                          |
| 48-612-4    | Armature (Inner)                 | 49-3917     | Spring Gland                       |
| 48-612-5    | Armature (Outer)                 | 49-5367     | Case, Upper                        |
| 48-625      | Brake Shoe                       | 49-5368     | Case, Lower                        |
| 48-627-5    | Armature (Inner)                 | 49-5719     | Spring Housing Complete            |
| 48-627-6    | Armature (Outer)                 | 49-684      | Arc Guard                          |
| 48-627-9    | Armature, Outer                  | 49-685      | Arc Guard                          |
| 48-633      | Shoe Complete                    | 4973-1      | Arc Shield                         |
| 48-633-2    | Shoe Complete                    | 4973-2      | Arc Shield Side Piece              |
| 48-633-3    | Shoe Complete                    | 4973-3      | Arc Shield Side Piece              |
| 48-633-4    | Shoe w/Riveted Lining            | 4973-5      | Arc Shield                         |
| 48-633-4    | Brake Shoe, Unlined              | 49-98       | Arc Guard                          |
| 48-633-ALUM | 23" Aluminum Brake Shoe Complete | 49-99       | Arc Guard                          |
| 48-636-12   | Armature, Outer                  | 51-114-2    | Link                               |
| 48-636-4    | Armature (Inner)                 | 51-1151     | Arm                                |
| 48-636-5    | Armature (Outer)                 | 51-116-2    | Link                               |
| 48-641-10   | Armature, Outer                  | 51-1193     | Core                               |
| 48-641-5    | Armature, Inner                  | 51-177      | Coil Core                          |
| 48-641-6    | Armature, Outer                  | 51-181      | Core Plug                          |
| 48-642      | Shoe                             | 51-182-2    | Core                               |
| 48-80       | Brake Lining                     | 51-195-2    | Core                               |
| 48-80-2     | Brake Lining                     | 51-199      | Core                               |
| 48-830      | Shoe Complete                    | 511H        | Type S Brakes                      |
| 48-896      | Magnet Armature (Inner)          | 511H1150    | 4" Brake Wheel                     |
| 48-98-3     | Brake Shoe with Lining           | 511H1160-1  | 5-1/2" Brake Wheel with Pilot Bore |
| 49-1074-1   | Lead Cover                       | 511H1170    | 7" Straight Bore Brake Wheel       |
| 49-1204-13  | Spring Gland                     | 511H1170-1  | 7" Brake Wheel, Pilot Bore         |
| 49-1204-27  | Spring Gland                     | 511H1190-10 | 10" Brake Wheel                    |
| 49-1204-29  | Spring Gland                     | 511H1192    | Type S-4 Brake, 15 lb-ft           |
| 49-1204-30  | Spring Gland                     | 511H1193    | Type S-4 Brake, 10 lb-ft           |
| 49-1204-9   | Spring Gland                     | 511H1194    | Type S-4 Brake, 3 lb-ft            |
| 49-1259     | Spring Gland                     | 511H1195    | Type S-7 Brake, 85 lb-ft           |
| 49-1470     | Cover                            | 511H1196    | Type S-7 Brake, 110 lb-ft          |
| 49-1604     | Spring Gland Assembly            | 511H970     | Type S-7 Brake, 50 lb-ft           |
| 49-1652     | Spring Gland                     | 511H971     | Type S 7" Brake 75 lb-ft           |

This document utilizes an interactive table of contents to help you jump from one section to another. Click the button to return to the table of contents.

**RETURN TO  
TABLE OF CONTENTS**

*SAFETY LIMIT STOPS*

*BRAKES*

*CONTACTORS*

*INDEX*

This document utilizes an interactive table of contents to help you jump from one section to another. Click the button to return to the table of contents.

**RETURN TO  
TABLE OF CONTENTS**

*SAFETY LIMIT STOPS*

*BRAKES*

*CONTACTORS*

*INDEX*

| OEM PART  | DESCRIPTION                         | OEM PART   | DESCRIPTION                 |
|-----------|-------------------------------------|------------|-----------------------------|
| 511H992   | Type S-5-1/2 Brake, 25 lb-ft        | 52-876     | Hasp                        |
| 511H993   | Type S-5-1/2 Brake, 35 lb-ft        | 52-877     | Latch                       |
| 511H995   | “S” Brake, Type 511                 | 52-879     | Hasp                        |
| 511H996   | Type S-10 Brake                     | 52-880     | Latch                       |
| 51-200    | Core                                | 52-968     | Latch Plate                 |
| 51-201    | Core                                | 53-1419    | Button                      |
| 51-202    | Core Plug                           | 540        | Complete Contactor, Size 3  |
| 51-210    | Plug for Brake Shoe                 | 541        | Contactactor, Complete      |
| 51-211    | Plug For Aligning Brake Shoe        | 54-11368   | Starwheel, w/Steps          |
| 51-2113   | Core                                | 54-11368-2 | Starwheel, w/Steps          |
| 51-2115   | Core                                | 54-11368-4 | Starwheel, Stepless         |
| 51-2116   | Core                                | 54-11368-8 | Starwheel, Stepless         |
| 51-2117   | Core                                | 54-11507   | Wedge Adjustment Assembly   |
| 51-2118   | Core                                | 54-11507-2 | Wedge Adjustment Assembly   |
| 51-2119   | Core                                | 54-11507-3 | Wedge Adjustment Assembly   |
| 51-212    | Plug For Aligning Brake Shoe        | 54-11507-4 | Wedge Adjustment Assembly   |
| 51-2121   | Core                                | 54-11507-5 | Wedge Adjusting Assembly    |
| 51-2122   | Core                                | 54-1187    | Starwheel                   |
| 51-213    | Plug For Aligning Brake Shoe        | 54-1187-M1 | Stepless Star Wheel         |
| 51-214    | Plug For Aligning Brake Shoe        | 542        | Contactactor                |
| 51-215    | Plug                                | 54-2652-2  | Adjusting Wedge             |
| 51-216-1  |                                     | 54-2764    | Adjusting Wedge             |
| 51-303    | Core Plate                          | 54-2813    | Adjustment Wedge            |
| 51-335-3  | Core                                | 54-2863    | Adjusting Wedge             |
| 51-342    | Core                                | 54-300     | Plunger Guide Assembly      |
| 51-343    | Plunger                             | 54-300-2   | Plunger Guide               |
| 51-356    | Plug                                | 54-3375-1  | 10” Brake Wheel             |
| 51-369    | Plunger                             | 54-3398    | Star Wheel                  |
| 51-440    | Plunger Assy                        | 54-3538-1  | Weight (80 lb)              |
| 51-441    | Piston                              | 54-3538-2  | Weight                      |
| 51-589    | Aligning Plug In Shoe               | 54-3538-6  | Weight                      |
| 51-64     | Core                                | 54-4020    | Wedge Adjustment Assembly   |
| 51-780    | Plunger Complete                    | 54-4020-2  | Wedge Adjustment Assembly   |
| 51-781    | Piston                              | 54-4020-4  | Wedge Adjustment Assembly   |
| 51-784    | Dash Pot Time Trip                  | 54-4020-5  | Wedge Adjustment Complete   |
| 51-784-2  | Dash Pot Instant Trip               | 54-4020-6  | Wedge Adjusting Screw       |
| 51-84     | Core                                | 54-4020-7  | Wedge Adjusting Assembly    |
| 51-85     | Core                                | 54-4020-8  | Wedge Adjustment Assembly   |
| 51-87     | Core Plug                           | 54-4524    | Adjusting Wedge             |
| 51-881    | Core                                | 54-4986    | Adjusting Wedge             |
| 51-884    | Core                                | 545        | 545 D.C. Contactor, 600 Amp |
| 51-885    | Core                                | 54-5339    | Weight                      |
| 51-888    | Core                                | 54-5536    | Cam                         |
| 51-896    | Core                                | 54-5999    | Star Wheel                  |
| 51-913    | Core                                | 54-6008    | Cam                         |
| 51-92     | Coil Core                           | 54-605     | Guide                       |
| 51-93-12  | Plunger Complete                    | 54-606     | Guide                       |
| 51-93-4   | Plunger                             | 54-6121    | Cam                         |
| 51-936    | Core, w/o Collar                    | 54-7409    | Gear with Key               |
| 51-936-2  | Core, w/Collar                      | 54-7409-2  | Gear without Key            |
| 51-941    | Core Plug                           | 54-823-15  | Cam                         |
| 51-957-3  | Plug                                | 54-823-16  | Cam                         |
| 51-97-4   | Plunger Assembly, Size “C” Solenoid | 54-823-17  | Cam                         |
| 51-975    | A.C. Core                           | 54-823-2   | Cam                         |
| 51-979    | Core                                | 54-823-3   | Cam                         |
| 51H1190   | 10” Brake Wheel Pilot Bore          | 54-823-46  | Cam                         |
| 52-1079   | Hook                                | 54-823-9   | Cam                         |
| 52-1167-2 | Lockplate Assembly                  | 54-829     | Cam                         |
| 52-1349   | Latch                               | 55020-1    | Contact Lever Left Hand     |
| 52-1454   | Locking Plate                       | 55050-2    | Blowout Complete 3/4” Panel |
| 52-1646   | Lock Plate                          | 55-1001    | Plastic Clamp               |
| 52-1879   | Lockplate Assembly                  | 55-1037    | Clamp                       |
| 52-650    | Indicating Locking Washer           | 55-1039    | Clamp                       |
| 52-853    | Latch                               | 55-1079    | Clamp                       |
| 52-859    | Latch                               | 55-1352    | Clamp                       |

| OEM PART   | DESCRIPTION               | OEM PART   | DESCRIPTION                           |
|------------|---------------------------|------------|---------------------------------------|
| 55-1371    | Bumper Holder             | 56-1228    | Insulator                             |
| 55-1372    | Right Side Clamp          | 56-1288-6  | Spacer                                |
| 55-1373    | Contact Clamp             | 56-1288-8  | Spacer                                |
| 55-1374    | Left Side Clamp           | 56-1288-9  | Spacer                                |
| 55-1375    | Clamp                     | 56-1579-3  | Insulator                             |
| 55-1396    | Clamp                     | 56-1729-14 | Insulator                             |
| 55-1397    | Clamp                     | 56-1729-17 | Insulator                             |
| 55-1448    | Wire Rope Clamp           | 56-2087-28 | Insulator                             |
| 55-1451    | Coil Clamp                | 56-2561-10 | Neoprene Tube                         |
| 55-1452    | Coil Clamp                | 56-2561-4  | Spacer                                |
| 55-1454    | Coil Clamp                | 56-2672-12 | Insulator                             |
| 55-1488    | Clamp                     | 56-2677-29 | Insulator                             |
| 55-1490-2  | Bumper Holder             | 56-2698    | Insulator                             |
| 55-1491    | Clamp                     | 56-2698-2  | Insulator                             |
| 55-1492    | Clamp                     | 56-2700    | Molded Insulator                      |
| 55-1533    | Clamp                     | 56-2717    | Insulator                             |
| 55-1534    | Clamp                     | 56-2736    | Molded Insulator                      |
| 55-1535    | Clamp                     | 56-2736-2  | Molded Insulator                      |
| 55-1536    | Clamp                     | 56-2740    | Bus Insulator                         |
| 55-1537    | Support                   | 56-2741    | Bus Insulator                         |
| 55-1539    | Clamp                     | 56-2745    | Bus Insulator                         |
| 55-1543    | Clamp                     | 56-2759    | Insulator                             |
| 55-1548    | Plate                     | 56-2814    | Insulator                             |
| 55-1551    | Retainer                  | 56-2842    | Insulator                             |
| 55-1553    | Coil Clamp                | 56-2865    | Insulator                             |
| 55-1599    | Clamp                     | 56-2910    | Spacer                                |
| 55-1609    | Clamp                     | 56-2978    | Insulator                             |
| 55-1649    | Retainer                  | 56-298     | Tube                                  |
| 55-1650    | Retainer                  | 56-3018    | Spacer                                |
| 55-1667    | Coil Clamp                | 56-3018-2  | Spacer                                |
| 55-173     | Protecting Clip           | 56-3482    | Insulating Washer                     |
| 55-1935    | Band Clamp                | 56-3671    | Insulator                             |
| 55-195     | Protecting Clip           | 56-3672    | Insulator                             |
| 55-2005    | Coil Clamp                | 56-3673    | Insulator                             |
| 55-2006    | Retainer                  | 56-3674    | Insulator                             |
| 55-2007    | Retaining Clip            | 56-3675    | Insulator                             |
| 55-2044    | Clamp                     | 56-3677    | Insulator                             |
| 55-217     | Clamp                     | 56-3678    | Insulator                             |
| 55-2195    | Clamp                     | 56-3679    | Insulator                             |
| 55-2780    | Retainer                  | 56-3680    | Insulator                             |
| 55279-1    | Magnet Frame 2" Panel     | 56-3682    | Insulator                             |
| 55-2986    | Clamp                     | 56-3683    | Insulator                             |
| 55-460     | Retaining Plate           | 56-3684    | Insulator                             |
| 55-464     | Bumper Holder             | 56-3685    | Insulator                             |
| 55-468     | Clamp                     | 56-3686    | Insulator                             |
| 55-499     | Clamp                     | 56-3687    | Insulator                             |
| 55-573     | Clamp                     | 56-3688    | Insulator                             |
| 55-721     | Coil Clamp                | 56-3689    | Insulator                             |
| 560        | Contactorm Complete, N.C. | 56-3690    | Insulator                             |
| 561        | Contactorm                | 56-3691    | Insulator                             |
| 56-1004    | Insulator                 | 56-3692    | Insulator                             |
| 56-1075-10 | Spacer                    | 56-3693    | Insulator                             |
| 56-1079    | Tube                      | 56-3735    | Insulator                             |
| 56-1079-10 | Tube                      | 56-3775    | Insulator                             |
| 56-1079-3  | Tube                      | 56-3776    | Insulator                             |
| 56-1080-7  | Insulating Tube           | 56-3777    | Insulator                             |
| 56-1081-4  | Tube                      | 56-3778    | Insulator                             |
| 56-1098-2  | Shaft Insulation Kit      | 56-3837    | Insulator                             |
| 56-1105-10 | Insulator Tube            | 565        | Nema 6 Normally Closed Contactorm     |
| 56-1108-10 | Insulator                 | 56-867     | Insulator                             |
| 56-1111-13 | Insulating Tube           | 570        | Nema 3 Ltl Contactorm                 |
| 56-1146    | Tube                      | 571        | Contactorm, Complete                  |
| 56-1174-16 | Insulating Bushing        | 572        | Contactorm                            |
| 56-1174-17 | Insulator                 | 575        | 575 D.C. Contactorm Type Ltl, 600 Amp |
| 56-1227    | Insulator                 | 57-8770-18 | Resistor, 27 ohms                     |

This document utilizes an interactive table of contents to help you jump from one section to another. Click the button to return to the table of contents.

**RETURN TO  
TABLE OF CONTENTS**

*SAFETY LIMIT STOPS*

*BRAKES*

*CONTACTORS*

*INDEX*



This document utilizes an interactive table of contents to help you jump from one section to another. Click the button to return to the table of contents.

**RETURN TO  
TABLE OF CONTENTS**

*SAFETY LIMIT STOPS*

*BRAKES*

*CONTACTORS*

*INDEX*

| OEM PART       | DESCRIPTION                        | OEM PART | DESCRIPTION                    |
|----------------|------------------------------------|----------|--------------------------------|
| 57-8770-22     | Resistor, 81 ohms                  | 6-166-2  | Lining Kit, 5-1/2 Brake        |
| 57-877-2       | Latch W/Bar Wound Coil             | 6-166-4  | Lining Kit, 511, 10" Brake     |
| 57-955-3       | Rectifier                          | 6-166-5  | 7" Brake Lining Kit            |
| 57-956-2       | Rectifier                          | 6-166-6  | Lining Kit, 8-1/2" Brake       |
| 57-957-2       | Rectifier                          | 6-167    | Contact Kit                    |
| 57-957-4       | Rectifier                          | 6-167-2  | Contact Kit                    |
| 6002-H-468A    | Mounting Material                  | 61-675   | Pull Rod                       |
| 6002H634A      | Mechanical Interlock               | 6-167-6  | Renewal Set of Contacts        |
| 6002H644       | Mechanical Interlock, Size 5       | 6-168    | Set of Contacts (Silver Faced) |
| 6002H648A      | Mechanical Interlock               | 6-168-10 | Contact Set                    |
| 6002H649A      | Mechanical Interlock               | 6-168-11 | Set of Contacts                |
| 6002H650A      | Mechanical Interlock               | 6-168-12 | Set of Contacts                |
| 6002H651A      | Mechanical Interlock               | 6-168-13 | Set of Contacts                |
| 6002H740       | Size 3 & 4 Mounting Kit            | 6-168-14 | Set of Contacts                |
| 6002H742A      | Size 5 Mounting Kit                | 6-168-17 | Set of Contacts                |
| 6002H757       | Model 988 Contactor, 1350 Amp      | 6-168-18 | Contact Kit                    |
| 6002H759       | Contactor Complete, 1800 Ampere    | 6-168-19 | Contact Kit                    |
| 6006H19-1031-1 | Type 932 Contactor                 | 6-168-20 | Set of Contacts                |
| 6006H30        | Nema 3 #933 Ltl Contactor          | 6-168-21 | Set of Contacts                |
| 6006H55        | Nema 5 #935 Ltl Contactor          | 6-168-22 | Renewal Set Of Contacts        |
| 6006H60        | Nema 6 Ltl Contactor               | 6-168-23 | Renewal Set of Contacts        |
| 6006H63        | Nema 6A Ltl 921 Contactor Complete | 6-168-25 | Set of Contacts                |
| 6011H23-103-1  | Relay                              | 6-168-29 | Set of Contacts                |
| 6011H23-103-15 | Relay with 4 N.O.                  | 6-168-31 | Set of Contacts                |
| 6011H7A        | Unit Circuit Block, 2 N.O.         | 6-168-33 | Renewal Set of Contacts        |
| 6-10           | Contact Kit, 2 Pole                | 6-168-35 | Set of Contacts                |
| 6-10-2         | Contact Kit, 3 Pole                | 6-168-37 | Set of Contacts                |
| 61-1006        | Pull Rod                           | 6-168-41 | Set of Contacts                |
| 61-1006-3      | 10" Pull Rod                       | 6-168-43 | Set of Contacts                |
| 61-1008        | Pull Rod                           | 6-168-6  | Set of Contacts                |
| 61-1008-3      | Pull-Rod                           | 6-168-7  | Set of Contacts                |
| 61-1013        | Pull Rod                           | 6-168-8  | Set of Contacts                |
| 61-1013-3      | Pull Rod with Spring               | 6-169-3  | Contact Kit                    |
| 61-1063        | Push Rod                           | 6-169-4  | Contact Kit                    |
| 61-1275        | Interlock Roller Assembly          | 6-169-5  | Contact Kit                    |
| 61-1275-2      | Interlock Operating Bar            | 618-331  | Contact Support Complete       |
| 61-1275-3      | Roller Assembly                    | 618-351  | Post                           |
| 61-1275-5      | Interlock Bar & Roller             | 618-401  | Contact Support Complete       |
| 6-113          | Contact Set, for 535 Contactor     | 618-407  | Contact Support Complete       |
| 61-135-3       | Pull Rod                           | 6-185    | Contact Kit                    |
| 61-136-3       | Pull Rod                           | 6-189    | Contact Kit, Nema 3 & 4        |
| 61-137-3       | Pull Rod                           | 6-189-2  | Contact Kit, Nema 4            |
| 61-138-3       | Pull Rod                           | 6-189-21 | Contact Kit                    |
| 61-139-3       | Pull-Rod                           | 6-189-3  | Contact Kit, Nema 5            |
| 61-1394        | Locking Rod Complete               | 6-189-4  | Contact Kit, Nema 6            |
| 61-1394-2      | Locking Rod                        | 6-189-5  | Silver Contact Kit, Nema 3     |
| 61-1394-3      | Locking Rod length 10.44           | 6-189-6  | Silver Contact Kit, Nema 4     |
| 61-1394-4      | Locking Rod length 13.50           | 6-189-7  | Silver Contact Kit, Nema 5     |
| 61-1394-5      | Locking Rod                        | 6-189-8  | Silver Contact Kit, Nema 6     |
| 61-1394-6      | Locking Rod                        | 6-189-9  | Silver Contact Kit             |
| 61-140-3       | Pull Rod                           | 61-912   | Pull Rod                       |
| 61-141-3       | Pull Rod                           | 61-912-3 | Pull Rod                       |
| 61-1675        | Pull Rod                           | 6-192-2  | Contact Kit                    |
| 61-1676        | Pull Rod                           | 6-192-3  | Renewal Set of Contacts        |
| 61-1677        | 16" Pull Rod                       | 6-194-3  | Contact Kit                    |
| 61-1869        | Pull Rod                           | 61-985   | Pull Rod                       |
| 6-1-3          | Contact Kit                        | 61-985-3 | Pull Rod                       |
| 61-357-24      | Operating Bar Complete             | 61-994-4 | Pull Rod                       |
| 61-357-25      | Operating Bar Complete             | 61-994-6 | Pull Rod, 19"                  |
| 6-138-35       | Set of Contacts                    | 6-202    | Contact Kit                    |
| 61-439         | Rod                                | 6-202-2  | Contact Kit                    |
| 61-439-2       | Rod                                | 6-207    | Renewal Set of Contacts        |
| 61-636         | Link                               | 6-207-2  | Renewal Set of Contacts        |
| 61-638         | Pull Rod                           | 6-207-3  | Renewal set of Contacts        |
| 6-166          | Lining Kit, 4" Brake               | 6-207-4  | Contact Set                    |

| OEM PART  | DESCRIPTION                    | OEM PART | DESCRIPTION                        |
|-----------|--------------------------------|----------|------------------------------------|
| 62-100    | Arc Horn                       | 62-407-2 | Blowout Complete for 1" Panel      |
| 62-103    | Arc Horn                       | 62-407-3 | Blowout Complete 1-1/2" Panel      |
| 62-104    | Pole Piece                     | 62-407-4 | Blowout Complete for 2" Panel      |
| 62-109    | Blowout Complete               | 62-40-8  | Blowout Complete                   |
| 62-109-14 | Blowout Complete               | 62-40-9  | Blowout Complete                   |
| 62-109-4  | Arc Shield Complete            | 62-4-10  | Blowout Complete                   |
| 621-164   | Contact                        | 62-4-2   | Blowout Complete                   |
| 621-165   | Contact                        | 624-266  | Contact Lever                      |
| 621-165-S | Contact                        | 62-4-3   | Blowout Complete                   |
| 62-118    | Pole Piece w/BO Coil           | 62-431   | Arc Horn                           |
| 62-118-3  | Pole Piece w/BO Coil           | 62-432   | Arc Shield R.H.                    |
| 62-118-4  | Pole Piece w/BO Coil           | 62-439   | Arc Shield L.H.                    |
| 62-121    | Arc Shield, Complete           | 62-4-4   | Blowout Complete                   |
| 62-121-2  | Arc Shield, Left Hand          | 62-440   | Arc Guard                          |
| 62-121-3  | Arc Shield, Right Hand         | 62-441-2 | Arc Shield Complete, Non- Asbestos |
| 621-218   | Contact                        | 62-443   | Pole Piece                         |
| 621-49    | Contact                        | 624-431  | Armature Lever w/Bushings          |
| 6-215     | Contact Kit                    | 624-433  | Armature Lever w/Bushings          |
| 6-215-2   | Contact Kit, C-H 1000          | 624-435  | Armature Lever w/Bushings          |
| 62-177    | Arc Shield, Complete 150 Amp   | 624-438  | Armature Lever With Bushings       |
| 62-178    | Blowout Complete               | 62-444   | Arc Horn                           |
| 62-178-2  | Blowout Complete               | 624-441  | Armature Lever With Bushings       |
| 62-178-3  | Blowout Complete               | 62-445-2 | Arc Shield, Complete               |
| 62-178-4  | Blowout Complete               | 624-454  | Armature Lever                     |
| 62-20-3   | Mill Type B/O Complete         | 624-457  | Armature Lever                     |
| 62-20-4   | Mill Type B/O Complete         | 624-458  | Armature Lever                     |
| 62-20-5   | Mill Type B/O Complete         | 62-446   | Arc Shield (Right Hand)            |
| 62-20-6   | Mill Type B/O Complete         | 62-446-2 | Arc Shield (Left Hand)             |
| 62-208    | Pole Piece                     | 624-488  | Shoe Lever w/Bushings              |
| 62-209    | Pole Piece                     | 624-489  | Shoe Lever With Bushings           |
| 62-222    | Blowout Complete               | 624-490  | Shoe Lever With Bushings           |
| 62-233    | Arc Shield Complete            | 624-491  | Shoe Lever With Bushings           |
| 62-233-3  | Arc Shield Complete, AC        | 624-492  | Shoe Lever With Bushings           |
| 62-234    | D-c Blowout Complete           | 624-493  | Shoe Lever with Bushings           |
| 62-234-2  | D-c Blowout Complete           | 62-4-5   | Blowout Complete                   |
| 62-234-3  | D-c Blowout Complete           | 62-450   | Arc Shield, Complete               |
| 62-234-4  | D-c Blowout Complete           | 62-451   | Inner Arc Shield                   |
| 62-234-6  | Contact Support Complete       | 62-452   | Pole Piece                         |
| 62-235    | Arc Shield Complete            | 62-454   | Arc Shield (Right Hand)            |
| 62-236-5  | Contact Support Complete       | 62-454-2 | Arc Shield (Left Hand)             |
| 62-26     | Blowout w/Coil                 | 62-457   | Pole Piece                         |
| 62-262    | Blowout Complete for 1 1/2"    | 624-578  | Contact Lever Left Hand            |
| 62-26-2   | Blowout w/Coil                 | 62-459   | Inner Arc Shield                   |
| 62-262-10 | Blowout Complete               | 624-592  | Armature Lever                     |
| 62-262-2  | Blowout Complete For 2" Panel  | 624-593  | Contact Lever w/connector (LH)     |
| 62-262-7  | Contact Support                | 624-594  | Contact Lever w/Connector          |
| 62-262-9  | Blowout Complete               | 62-4-6   | Blowout Complete                   |
| 62-263    | Arc Shield Complete            | 62-460   | Arc Shield R.H.                    |
| 62-26-3   | Blowout w/Coil                 | 62-460-2 | Arc Shield L.H.                    |
| 62-26-4   | Blowout w/Coil                 | 62-463   | Pole Piece                         |
| 62-27     | Blowout Assembly Complete      | 624-649  | Armature Lever                     |
| 62-28     | Pole Piece                     | 62-465   | Pole Piece                         |
| 62-2829   | Compression Spring             | 624-650  | Armature Lever                     |
| 62-29     | Pole Piece                     | 62-474   | Blowout Complete                   |
| 623-134   | Brake Shoe w/Lining Assembled  | 62-474-3 | Pole Piece                         |
| 623-161   | Brake Shoes w/Lining Assembled | 62-474-5 | Blowout Chute                      |
| 623-166   | Brake Shoes w/Lining Assembled | 62-479   | DC Blowout Complete                |
| 623-167   | Brake Shoes w/Lining           | 62-479-2 | Blowout Complete, DC Arc Shield    |
| 62-4      | Blowout Complete               | 62-481   | Pole Piece, AC                     |
| 62-40     | Blowout Complete               | 62-482   | Arc Shield Side Piece              |
| 62-40-2   | Blowout Complete               | 62-483   | Pole Piece D.C.                    |
| 62-406    | Arc Shield Complete            | 62-484   | A.C. Pole Piece                    |
| 62-406-2  | Arc Shield, Left Half          | 62-4-9   | Blowout Complete                   |
| 62-406-3  | Arc Shield, Right Half         | 62-5     | Arc Shield, Complete               |
| 62-407    | Blowout Complete 3/4" Panel    | 62-506   | Inner Arc Shield                   |

This document utilizes an interactive table of contents to help you jump from one section to another. Click the button to return to the table of contents.

**RETURN TO  
TABLE OF CONTENTS**

*SAFETY LIMIT STOPS*

*BRAKES*

*CONTACTORS*

*INDEX*

This document utilizes an interactive table of contents to help you jump from one section to another. Click the button to return to the table of contents.

**RETURN TO  
TABLE OF CONTENTS**

*SAFETY LIMIT STOPS*

*BRAKES*

*CONTACTORS*

*INDEX*

| OEM PART | DESCRIPTION                   | OEM PART | DESCRIPTION                         |
|----------|-------------------------------|----------|-------------------------------------|
| 62-509   | Arc Shield                    | 640-138  | Finger Assembly Complete            |
| 62-509-2 | Arc Shield                    | 640-242  | Finger                              |
| 6-25-2   | Contact Kit, 3 pole           | 640-246  | Contact Finger With Connector       |
| 62-52    | Arc Shield                    | 640-29   | Finger                              |
| 62-528   | AC Blowout Complete           | 640-318  | Interlock                           |
| 62-561   | Arc Horn                      | 640-62   | Contact                             |
| 62-561-2 | Arc Horn                      | 640-7    | Contact Finger                      |
| 62-562   | Blowout Complete              | 6-45-2   | Nema 5 Contact Kit, 3 pole          |
| 62-562-2 | Arc Shield, Complete          | 649-333  | Magnet Frame Assembly               |
| 62-563   | B/O Complete                  | 649-375  | Magnet Frame 3/4" & 1" Panel        |
| 62-563-2 | Arc Shield                    | 649-412  | Magnet Frame Assembly               |
| 62-563-3 | L.H. Blowout, Complete        | 649-435  | Magnet Frame 1/2 Panel              |
| 62-563-6 | R.H. Blowout, Complete        | 649-441  | Magnet Frame 1 1/2" Panel           |
| 62-563-7 | L.H. Blowout, Complete        | 656-69   | Shaft                               |
| 62-564   | B/O Complete                  | 656-81   | Shaft                               |
| 62-564-2 | Arc Shield, Complete          | 656-88   | Shaft                               |
| 62-564-3 | Left Hand Blowout             | 6-569-2  | Size 5, 3 Pole Contact Kit          |
| 62-564-6 | Right Hand Blowout Complete   | 6-599    | Contact Kit                         |
| 62-564-8 | Arc Shield Complete           | 662-159  | Arc Chute Assembly                  |
| 62-565   | Blowout Complete              | 662-187  | Blowout Chute DC                    |
| 62-565-2 | Blowout Complete              | 6-65-17  | Contact Kit                         |
| 62-565-3 | Arc Shield Complete           | 6-65-2   | Contact Kit                         |
| 62-576   | Pole Piece                    | 673-51   | Arc Shield Complete                 |
| 62-577   | Blowout Complete              | 673-65   | Arc Shield                          |
| 62-577-2 | Blowout Complete              | 679-354  | Support                             |
| 62-577-3 | Arc Shield Complete           | 679-368  | Bracket                             |
| 62-578   | Arc Horn                      | 679-371  | Bracket                             |
| 6-26-2   | Size 4, 3 Pole Contact kit    | 69-1104  | Spring - 125 lb. Torque             |
| 6-27-2   | Size 5, 3 Pole Contact kit    | 69-1109  | Spring - 160 lb. Torque             |
| 62-791   | Arc Shield RH                 | 69-1256  | Spring                              |
| 62-791-2 | Arc Shield, LH                | 69-1257  | Spring                              |
| 62-792-2 | Arc Shield LH                 | 69-140   | Spring                              |
| 62-793   | Arc Shield, RH                | 69-142   | Spring                              |
| 62-793-2 | Arc Shield, LH                | 69-1470  | Spring                              |
| 62-8     | Pole Piece                    | 69-150   | Spring                              |
| 62-812-5 | Arc Shield Complete           | 69-1554  | Compression Spring                  |
| 62-813   | Blowout Complete              | 69-1567  | Angle Spring                        |
| 62-813-2 | Arc Shield Complete           | 69-158   | Spring                              |
| 62-814-2 | Nema 4 Arc Shield Complete    | 69-1584  | Solenoid Spring                     |
| 62-814-3 | L.H. Blowout Complete         | 69-1652  | Compression Spring                  |
| 62-815   | Blowout Complete              | 69-1653  | Angle Spring                        |
| 62-815-2 | Arc Shield Complete           | 69-1663  | Spring                              |
| 62-816   | Blowout Complete              | 69-1664  | Compression Spring                  |
| 62-816-2 | Blowout Complete              | 69-1665  | Angle Spring, 1.25" Height          |
| 62-816-3 | Size 6 Arc Shield Complete    | 69-1666  | Spring, 75 lb. Ft. torque (outer)   |
| 62-816-9 | Size 6 Blowout Assembly       | 69-1677  | Angle Spring                        |
| 62-818-3 | Nema 8 Blowout Assembly       | 69-1680  | Compression Spring                  |
| 62-840   | Arc Shield, RH                | 69-1692  | Compression Spring                  |
| 62-840-2 | Arc Shield, LH                | 69-1694  | Compression Spring                  |
| 62-86-10 | Blowout Complete for 2" Panel | 69-1695  | Angle Spring                        |
| 62-86-7  | Blowout Complete 3/4" Panel   | 69-1726  | Spring                              |
| 62-86-8  | Blowout Complete for 1" Panel | 69-1766  | Spring                              |
| 62-86-9  | Blowout Complete 1-1/2" Panel | 69-179   | Spring                              |
| 62-88    | Arc Horn                      | 69-1831  | Spring                              |
| 62-93    | Arc Horn                      | 69-1832  | Spring                              |
| 62-98    | Pole Piece                    | 69-1839  | Spring                              |
| 62-99    | Arc Horn                      | 69-193   | Spring                              |
| 630-54   | String Babbitt                | 69-1931  | Spring                              |
| 6-331-10 | Contact Kit                   | 69-195   | Spring                              |
| 6-331-15 | Contact Kit                   | 69-1975  | Lock Spring                         |
| 6-35     | 2 Pole Contact Kit            | 69-1976  | Lock Spring, replace with 11-3046-3 |
| 6-35-2   | 3 Pole Contact Kit            | 69-1977  | Lock Spring                         |
| 6-36-2   | Size 4, 3 Pole Contact Kit    | 69-1987  | Compression Spring                  |
| 637-218  | 1/4 pt. Of Oil                | 69-202   | Spring                              |
| 640-126  | Finger                        | 69-2024  | Spring                              |

| OEM PART  | DESCRIPTION                       | OEM PART  | DESCRIPTION                       |
|-----------|-----------------------------------|-----------|-----------------------------------|
| 69-2028   | Angle Spring                      | 69-374    | Spring                            |
| 69-2029   | Spring                            | 69-432    | Spring                            |
| 69-2048   | Angle Spring                      | 69-445    | Spring                            |
| 69-2053   | Angle Spring                      | 69-456    | Spring                            |
| 69-2062   | Spring                            | 69-489    | Main Spring                       |
| 69-2071   | Angle Spring                      | 69-490    | Main Spring                       |
| 69-209    | Pole Piece                        | 69-4908   | Spring                            |
| 69-2090   | Compression Spring                | 69-491    | Main Spring                       |
| 69-2091   | Compression Spring                | 69-492    | Main Spring                       |
| 69-2092   | Locking Spring                    | 69-493    | Main Spring                       |
| 69-2096   | Spring                            | 69-494    | Main Spring                       |
| 69-2112   | Spring                            | 69-524    | Spring                            |
| 69-2145   | Spring                            | 69-58     | Spring                            |
| 69-2199   | Compression Spring                | 69-592    | Locking Spring                    |
| 69-2225   | Compression Spring                | 69-600    | Spring                            |
| 69-2226   | Compression Spring                | 69-643    | Spring                            |
| 69-2236   | Compression Spring                | 69-645    | Spring                            |
| 69-2237   | Spring                            | 69-647    | Spring                            |
| 69-2268   | Spring                            | 69-658    | Spring                            |
| 69-2293   | Spring                            | 69-711    | Spring For Pull Rod               |
| 69-2294   | Spring                            | 69-721    | Spring                            |
| 69-2312   | Spring                            | 69-761    | Torque Spring - 75 lb. Ft. Torque |
| 69-2347   | Spring                            | 69-774    | Compression Spring                |
| 69-2350   | Spring                            | 69-791    | Spring                            |
| 69-2356   | Spring                            | 69-795    | Spring                            |
| 69-2375   | Spring                            | 69-813    | Spring                            |
| 69-2376   | Spring                            | 69-816    | Flat Spring                       |
| 69-2393   | Spring                            | 69-869    | Spring                            |
| 69-2398   | Spring                            | 69-905    | Spring                            |
| 69-2407   | Spring                            | 699-1841  | Dashpot                           |
| 69-2441   | Spring                            | 69-942    | Spring                            |
| 69-2444   | Spring                            | 69-95     | Spring                            |
| 69-2476   | Spring                            | 69-972    | Spring                            |
| 69-2569   | Spring                            | 69-998    | Spring                            |
| 69-259    | Spring                            | 70-8138-2 | Soft Stop Reto Fit, 10" GH505     |
| 69-260    | Spring                            | 70-8138-3 | 13" Soft Stop Retro Fit Kit       |
| 69-2643   | Spring                            | 70-8143   | 16" Soft Stop                     |
| 69-2675   | Spring                            | 711-6     | Adjusting Screw                   |
| 69-273    | Coil Spring                       | 73-1017   | Rubber Guard                      |
| 69-276    | Coil Spring                       | 73-1017-2 | Rubber Guard                      |
| 69-2761   | Spring                            | 73-1017-3 | Rubber Guard                      |
| 69-2806   | Spring For Pull Rod               | 73-1017-4 | Rubber Guard                      |
| 69-2829   | Compression Spring                | 73-1017-5 | Rubber Guard                      |
| 69-2848   | Plunger, Inner Cable 6 Circuit    | 73-1017-6 | Rubber Guard                      |
| 69-2848-2 | Plunger, Inner Cable 12 Circuit   | 73-1194   | Arc Shield                        |
| 69-2848-3 | Plunger, Inner Cable 16 Circuit   | 73-1194-2 | Arc Shield                        |
| 69-2849   | Housing, 6 Circuit                | 73-1210   | Guard                             |
| 69-2849-2 | Housing, 12 Circuit               | 73-1210-2 | Guard                             |
| 69-2849-3 | Housing, 16 Circuit               | 73-1241   | Arc Guard                         |
| 69-287    | Torque Spring                     | 73-125    | Arc Shield Side Piece             |
| 69-290    | Spring                            | 73-1257   | Arc Shield Side Piece             |
| 69-2910   | Spring                            | 73-1257-2 | Arc Shield Side Piece             |
| 69-2935   | Spring                            | 73-1268   | Arc Guard                         |
| 69-296    | Spring                            | 73-1630   | Arc Deflector                     |
| 69-2968   | Spring                            | 73-1631   | Arc Deflector                     |
| 69-297    | Torque Spring - 50 lb. Ft. Torque | 73-1632   | Arc Deflector                     |
| 69-2990   | Spring                            | 73-1633   | Arc Deflector                     |
| 69-3024   | Spring For Pull Rod               | 73-2085   | Cover                             |
| 69-3026   | Spring in Brake Shoe              | 73-242    | Arc Shield                        |
| 69-303    | Torque Spring                     | 73-243    | Arc Shield                        |
| 69-3030   | Spring in Brake Shoe              | 73-244    | Circular Arc Shield               |
| 69-3068   | Spring                            | 73-267    | Arc Shield (Left Half)            |
| 69-336    | Solenoid Spring                   | 73-2676   | Arc Shield (RH)                   |
| 69-348    | Spring                            | 73-2676-2 | Arc Shield (LH)                   |
| 69-3682   | Spring                            | 73-268    | Arc Shield (Right Half)           |

This document utilizes an interactive table of contents to help you jump from one section to another. Click the button to return to the table of contents.

**RETURN TO  
TABLE OF CONTENTS**

*SAFETY LIMIT STOPS*

*BRAKES*

*CONTACTORS*

*INDEX*

This document utilizes an interactive table of contents to help you jump from one section to another. Click the button to return to the table of contents.

**RETURN TO  
TABLE OF CONTENTS**

*SAFETY LIMIT STOPS*

*BRAKES*

*CONTACTORS*

*INDEX*

| OEM PART   | DESCRIPTION                  | OEM PART  | DESCRIPTION                  |
|------------|------------------------------|-----------|------------------------------|
| 73-269     | Arc Shield, LH               | 79-6530   | Contact Post                 |
| 73-270     | Arc Shield, RH               | 79-672    | Bracket                      |
| 73-310     | Arc Shield                   | 79-6720   | Support                      |
| 73-368     | Arc Shield, LH               | 79-6783-5 | Lock Bracket                 |
| 73-369     | Arc Shield, RH               | 79-7268   | Bracket                      |
| 73-371     | Arc Shield, Circular         | 79-8208   | Bracket                      |
| 73-374     | Arc Shield                   | 79-845    | Support                      |
| 73-405     | Arc Shield L.H.              | 79-846    | Support                      |
| 73-406     | Arc Shield R.H.              | 79-866    | Bracket                      |
| 73-864     | Arc Shield R.H.              | 79-881    | Bracket, Right Hand          |
| 73-865     | Arc Shield L.H.              | 79-882    | Bracket, Left Hand           |
| 73-910-3   | Barrier                      | 79-888    | Support                      |
| 740-22     | Finger                       | 79-891    | Support                      |
| 740-8F1    | Contact Finger               | 79-899    | Support                      |
| 740-964    | Finger                       | 79-9197-3 | Bracket                      |
| 755-5      | Coil Clamp                   | 79-9197-4 | Bracket                      |
| 768-15     | Stop                         | 79-9197-5 | Bracket                      |
| 77-773     | Coil Support Block           | 79-9197-6 | Bracket                      |
| 79-1000-19 | Support Bracket              | 79-9203   | Bracket                      |
| 79-1000-21 | Support Bracket              | 79-9204   | Bracket                      |
| 79-1000-25 | Support Bracket              | 79-980-3  | Contact Support Complete     |
| 79-1113    | Bracket with Pin             | 80-1696-2 | Power Terminal Pressure Lug  |
| 79-1114    | Contact Bracket              | 80-2405   | Insulating Mounting Material |
| 79-1133    | Bracket                      | 80-2405-2 | Insulator Mounting           |
| 79-1145    | Contact Bracket              | 80-2464   | Insulated Mounting complete  |
| 79-1145-1  | Contact Bracket              | 80-2595   | Terminal                     |
| 79-1153    | Bracket                      | 80-2596   | Terminal Clamp               |
| 79-1189    | Bracket                      | 80-4101   | Stand-Off Insulator          |
| 79-1199    | Bracket                      | 811-1664  | Lg. Flathead Screw           |
| 79-124-3   | Contact Support Complete     | 811-860   | Screw                        |
| 79-124-4   | Contact Support Complete     | 811-863   | #10-32 x .875 Flathead Screw |
| 79-138     | Support                      | 81-2388   | Contact Board                |
| 79-14253   | Bracket                      | 81-2405   | Base                         |
| 79-14254   | Bracket                      | 81-2513   | Base                         |
| 79-15572   | Angle Bracket                | 813-135   | Pin                          |
| 79-15572-2 | Bracket                      | 813-158   | Groove pin                   |
| 79-15572-3 | Angle Bracket                | 813-159   | Pin                          |
| 79-15572-4 | Angle Bracket                | 814-138   | Stud for 2" Panel            |
| 79-15572-5 | Angle Bracket                | 814-14    | Stud 1.5" Panel              |
| 79-15572-6 | Angle Bracket                | 814-1408  | Nut                          |
| 79-1677    | Bracket                      | 814-1685  | Stud                         |
| 79-18589   | Bracket, Main                | 814-206   | Stud 2" Panel                |
| 79-18590   | Bracket, Plunger RH          | 814-266   | Stud For 3/4" Panel          |
| 79-18590-2 | Bracket, Plunger LH          | 814-489   | Stud 1/2" Panel              |
| 79-1881    | Bracket                      | 814-490   | Stud                         |
| 79-257-2   | Contact Bracket w/Pin        | 814-491   | Stud 3/4" and 1" Panel       |
| 79-258-9   | Contact Bracket w/Pin & Stud | 814-492   | Stud                         |
| 79-415     | Bracket                      | 814-565   | Stud for 3/4" Panel          |
| 79-4171-28 | Support                      | 814-566   | Stud for 1" Panel            |
| 79-418     | Bracket                      | 814-567   | Stud for 1-1/2" Panel        |
| 79-4180-18 | Lock Bracket                 | 814-568   | Stud for 1" Panel            |
| 79-4180-23 | Bracket                      | 814-569   | Stud for 2" Panel            |
| 79-4180-26 | Clamp                        | 814-725   | Stud for 3/4" Panel          |
| 79-4180-27 | Locking Bracket              | 814-92    | Stud for 2" Panel            |
| 79-4180-28 | Locking Bracket              | 815-1128  | Nut                          |
| 79-4288    | Support Plate                | 815-1408  | Nut                          |
| 79-4304    | Contact Bracket              | 815-323   | Nut                          |
| 79-4305    | Stop Bracket                 | 815-601   | Nut                          |
| 79-5375-2  | Bracket                      | 815-721   | Nut                          |
| 79-5433    | Bracket                      | 815-764   | Flat hex, Nut                |
| 79-5666    | Support                      | 816-1005  | Washer                       |
| 79-6141    | Contact Support              | 816-1121  | Washer                       |
| 79-6186    | Bracket                      | 816-1124  | Washer                       |
| 79-6284    | Support                      | 816-151F1 | Shim Washer .036" Thick      |
| 79-6303    | Bracket                      | 816-401   | Washer                       |



| OEM PART   | DESCRIPTION                            | OEM PART   | DESCRIPTION                   |
|------------|--|------------|-------------------------------|
| 816-5      | Indicating Plate                       | 911-5445FZ | Contact Screw                 |
| 816-642    | Washer                                 | 911-5445Z  | Long Hex. Screw               |
| 816-801    | Flat Washer                            | 911-5446FZ | Screw                         |
| 816-97     | Lockwasher                             | 911-5446Z  | Screw                         |
| 81-7145    | Molded Base                            | 911-5447FZ | Contact Screw                 |
| 81-7225-2  | Molded Base                            | 911-5447Z  | Long Hex. Screw               |
| 81-7302    | Molded Base                            | 911-5448F1 | Contact Screw                 |
| 81-7710    | Mounting Insulation                    | 911-5448Z  | Hex Screw                     |
| 818-174    | Contact Post                           | 911-5452Z  | Screw                         |
| 829-505    | Spacer                                 | 911-5454Z  | Screw                         |
| 831-775A   | Stationary Contact                     | 911-5456Z  | Hex Screw                     |
| 840-1123   | Finger                                 | 911-5605FZ | Blowout Coil Screw            |
| 85-105F    | Flanged Nut                            | 911-5606FZ | Contact Screw                 |
| 86-1456    | Hoist Rope                             | 911-5606Z  | Contact Screw                 |
| 86-2205    | Wire Rope (10 Feet Long)               | 911-5607Z  | Hex Screw                     |
| 86-2601    | Contact Block, Complete                | 911-5608Z  | Screw                         |
| 873-10     | Coil Shield                            | 911-5620Z  | Screw                         |
| 873-11     | Coil Shield                            | 911-5622Z  | Screw                         |
| 873-12     | Coil Shield                            | 911-5646Z  | Contact Mounting Screw        |
| 873-6      | Coil Shield                            | 911-5650Z  | Screw                         |
| 873-7      | Coil Shield                            | 911-5652Z  | Screw                         |
| 873-8      | Coil Shield                            | 911-5658Z1 | Screw for 1-1/2" and 2" Panel |
| 879-107    | Support                                | 911-5672Z  | Bolt                          |
| 879-3      | Spring Gland                           | 911-5888Z  | Contact Mounting Screw        |
| 879-43     | Spring Gland                           | 911-5890Z  | Screw                         |
| 879-88     | Bracket                                | 911-5892Z  | Contact Screw                 |
| 88-1332-6  | Replace with 88-2930-4                 | 911-5894Z  | Hex Head Screw                |
| 88-1342-11 | Solenoid Assembly without coil         | 911-5912Z  | Screw                         |
| 88-1584    | Solenoid Assembly                      | 911-6006Z  | Cap Screw                     |
| 88-2930-4  | Solenoid less coil                     | 911-6007Z  | Adjusting Screw               |
| 88-3015-4  | Solenoid without coil                  | 911-6009Z  | Adjusting Screw               |
| 88-50-24   | Solenoid Complete                      | 911-6016Z  | Hex Bolt                      |
| 901        | Relay                                  | 911-6046Z  | Screw                         |
| 902        | Relay                                  | 911-6047Z  | Contact Screw                 |
| 903        | #903 Overload Relay less Hand or Reset | 911-6048Z  | Contact Screw                 |
| 9-1004-16  | Coil                                   | 911-6056Z  | High Strength Screw           |
| 9-1004-4   | Coil                                   | 911-679    | Adjusting Screw               |
| 9-1007-16  | Coil                                   | 9-116-8    | Coil                          |
| 9-1010-1   | Coil                                   | 911-682Z   | Lock Washer                   |
| 9-1010-3   | Coil                                   | 911-7881Z  | Segment Screw                 |
| 9-1055-2   | Coil                                   | 9-118-1    | Coil                          |
| 9-1056-3   | Coil                                   | 9-118-3    | Coil                          |
| 9-1056-4   | Coil                                   | 911-848Z   | Screw                         |
| 9-1057-7   | Coil                                   | 911-852Z   | Screw                         |
| 9-1058-1   | Coil                                   | 911-864Z   | Screw                         |
| 9-1059-1   | Coil                                   | 912        | Contactactor                  |
| 9-1076-2   | Coil                                   | 913        | Contactactor                  |
| 9-1083-1   | Coil                                   | 9-130-4    | Coil                          |
| 9-109-6    | Coil                                   | 913-101Z   | Cotter Pin                    |
| 9-1119-1   | Coil                                   | 913-1195Z  | Pin                           |
| 911-2104Z  | Screw                                  | 9-1318-110 | Coil                          |
| 911-2500Z  | Screw                                  | 913-21Z    | Cotter Pin                    |
| 911-373    | Long Hex Screw                         | 9-1323-1   | Coil                          |
| 911-442    | Screw                                  | 9-1323-68  | Coil                          |
| 911-444    | Adjusting Screw                        | 9-1332-1   | Coil                          |
| 911-455    | Screw                                  | 913-41Z    | Cotter Pin                    |
| 911-459    | Screw                                  | 9-1347-1   | Coil                          |
| 911-470    | Long Hex Screw                         | 9-1347-10  | Coil                          |
| 911-473    | Terminal Screw                         | 9-1347-11  | Coil, 240 VDC                 |
| 911-4872Z  | Screw                                  | 9-1347-13  | Coil, 240 VDC                 |
| 911-5060Z  | Screw                                  | 9-1359-1   | Coil                          |
| 911-508Z   | Screw                                  | 9-1359-3   | Coil                          |
| 911-5248FZ | Adjusting Screw                        | 913-82Z    | Cotter Pin                    |
| 911-5443Z  | Long Hex Screw                         | 913-853    | Pin                           |
| 911-5444FZ | Contact Screw                          | 913-854    | Pin                           |

This document utilizes an interactive table of contents to help you jump from one section to another. Click the button to return to the table of contents.

**RETURN TO  
TABLE OF CONTENTS**

*SAFETY LIMIT STOPS*

*BRAKES*

*CONTACTORS*

*INDEX*

This document utilizes an interactive table of contents to help you jump from one section to another. Click the button to return to the table of contents.

**RETURN TO  
TABLE OF CONTENTS**

*SAFETY LIMIT STOPS*

*BRAKES*

*CONTACTORS*

*INDEX*

| OEM PART  | DESCRIPTION          | OEM PART  | DESCRIPTION          |
|-----------|----------------------|-----------|----------------------|
| 913-855   | Pin                  | 9-1552-17 | Blowout Coil         |
| 913-856   | Pin                  | 9-1552-2  | Coil                 |
| 913-860   | Pin                  | 9-1552-3  | Coil                 |
| 913-861   | Pin (For Armature)   | 9-1552-4  | Coil                 |
| 913-862   | Pin (For Shoe Lever) | 9-1552-7  | Coil                 |
| 913-863   | Pin (For Brake Shoe) | 9-1552-8  | Coil                 |
| 913-868   | Pin (For Pull Rod)   | 9-1553-1  | Coil                 |
| 913-869   | Pin (For Shoe Lever) | 9-1553-3  | Coil                 |
| 913-870   | Pin (For Brake Shoe) | 915-802Z  | Nut                  |
| 913-871   | Pin (For Armature)   | 915-803Z  | Nut                  |
| 913-872   | Pin (For Armature)   | 9-1582-1  | Blowout Coil 100 AMP |
| 913-872-1 | Pin                  | 9-1582-2  | Coil                 |
| 913-873   | Pin (For Shoe Lever) | 9-1582-3  | Coil                 |
| 913-874   | Pin                  | 9-1583-1  | Coil                 |
| 913-875   | Pin (For Brake Shoe) | 9-1583-15 | Coil, 100 VDC        |
| 913-880   | Pin (For Armature)   | 9-1583-2  | Coil, 115 VDC        |
| 913-887   | Pin (For Brake Shoe) | 9-1583-3  | Coil, 550 VDC        |
| 913-888   | Pin (For Shoe Lever) | 9-1585-1  | Coil, 230 VDC        |
| 913-890   | Pin                  | 9-1585-18 | Coil, 100 VDC        |
| 913-894   | Pin                  | 9-1585-2  | Coil, 115 Volt       |
| 913-895   | Pin                  | 9-1585-6  | Coil, 74 VDC         |
| 913-896   | Pin                  | 9-1589-1  | Coil, 230 VDC        |
| 913-948   | Pin                  | 9-1589-10 | Coil                 |
| 913-972   | PIN (Pivot Field)    | 9-1589-2  | Coil, 115 VDC        |
| 914       | Contactactor         | 9-1589-6  | Coil, 71 VDC         |
| 914-3568C | Adjusting Stud       | 9-1591-1  | Shunt Coil           |
| 914-3584Z | Spring Stud          | 9-159-16  | Coil                 |
| 914-599   | Stud                 | 9-159-3   | Coil                 |
| 914-611   | Bumper Stud          | 9-159-5   | Coil                 |
| 914-624   | Stud                 | 9-159-6   | Coil                 |
| 914-738   | Stud                 | 916       | Nema 6 Contactactor  |
| 9-148-5   | Coil                 | 916-101   | Tooth Lockwasher     |
| 915       | Nema 5 Contactactor  | 916-1081Z | Washer               |
| 915-1004Z | Nut                  | 916-1121Z | Washer               |
| 9-1510-2  | Coil                 | 916-1161Z | Lockwasher           |
| 915-113   | Nut                  | 916-1164Z | Shim Washer          |
| 915-1401Z | Nut                  | 916-125   | Washer               |
| 915-1403Z | Nut                  | 916-1281Z | Washer               |
| 915-1442Z | Nut                  | 916-1363Z | Helical Washer       |
| 915-1443Z | Nut                  | 916-146   | Washer               |
| 915-1503Z | Nut                  | 916-156   | Flat Washer          |
| 915-1561Z | Nut                  | 916-1601Z | Washer               |
| 915-1562Z | Nut                  | 916-1602Z | Lockwasher           |
| 915-1681Z | Nut                  | 916-174   | Washer               |
| 915-1682Z | Lock Nut             | 916-187   | Lockwasher           |
| 9-1518-20 | Coil                 | 916-1961Z | Flat Washer          |
| 9-15-201  | Coil                 | 916-198   | Lockwasher           |
| 915-209   | Lock Nut             | 916-199   | Lockwasher           |
| 915-2141Z | Nut                  | 916-2042  | Lockwasher           |
| 915-2142Z | Lock Nut             | 916-2081Z | Washer               |
| 915-220   | Jam Nut              | 916-225   | Shim Washer          |
| 915-223   | Locknut              | 916-2281  | Washer               |
| 915-2381Z | Nut                  | 916-231   | Lockwasher           |
| 915-2382Z | Lock Nut             | 916-2641Z | Cup Washer           |
| 915-239   | Locknut              | 916-2881Z | Steel Washer         |
| 915-24F3  | Nut                  | 916-2882Z | Steel Washer         |
| 915-24Z   | Hex Nut              | 916-2921Z | Steel Washer         |
| 915-322Z  | Nut                  | 916-3001Z | Steel Washer         |
| 9-154-2   | Coil                 | 916-3042Z | Steel Washer         |
| 9-1549-1  | Coil 230 VDC         | 916-32Z   | Washer               |
| 9-1549-2  | Coil                 | 9-1639-5  | Coil                 |
| 9-1552-1  | Coil                 | 9-16-4    | Coil                 |
| 9-1552-10 | Coil                 | 9-1641-10 | Coil                 |
| 9-1552-15 | Coil                 | 9-1641-11 | Series Coil          |
| 9-1552-16 | Blowout Coil         | 9-1641-6  | Series Coil          |

| OEM PART  | DESCRIPTION   | OEM PART  | DESCRIPTION                         |
|-----------|---------------|-----------|-------------------------------------|
| 9-1641-7  | Series Coil   | 9-1960-2  | Coil                                |
| 9-1641-8  | Coil          | 9-196-17  | Blowout Coil                        |
| 9-1641-9  | Series Coil   | 9-1964-1  | Coil                                |
| 916-484Z  | Lockwasher    | 9-1964-2  | Coil                                |
| 916-521Z  | Flat Washer   | 9-1964-3  | Coil                                |
| 916-55Z   | Flat Washer   | 9-1965-1  | Coil                                |
| 916-561Z  | Cup Washer    | 9-1965-2  | Coil                                |
| 916-601Z  | Washer        | 9-1965-3  | Coil, 15-19 HP, W/conduit Fit       |
| 916-6102Z | Washer        | 9-1967-1  | Coil                                |
| 916-641Z  | Washer        | 9-1967-2  | Coil                                |
| 916-681Z  | Flatwasher    | 9-1967-3  | Coil                                |
| 916-682Z  | Lockwasher    | 9-1968-1  | Coil                                |
| 916-763Z  | Lockwasher    | 9-1968-2  | Coil                                |
| 9-1678    | Coil          | 9-1969-1  | Coil                                |
| 916-801Z  | Washer        | 9-1969-2  | Coil                                |
| 9-1688-1  | Coil 230 VDC  | 9-1969-3  | Coil                                |
| 9-1688-2  | Coil, 115 VDC | 9-1970-1  | Coil                                |
| 916-882Z  | Washer        | 9-1971-1  | Coil                                |
| 9-1688-6  | Coil          | 9-1971-2  | Coil                                |
| 9-1688-8  | Coil, 100 VDC | 9-1972-1  | Coil                                |
| 916-918   | Lockwasher    | 9-1972-2  | Coil                                |
| 9-1717-2  | Coil, 230 VDC | 9-1972-3  | Coil                                |
| 9-1717-4  | Coil, 100 VDC | 9-1973-1  | Coil                                |
| 9-1748-5  | Coil          | 9-1973-2  | Coil                                |
| 9-179-16  | Coil          | 9-1974-1  | Coil                                |
| 9-179-17  | Coil          | 9-1974-2  | Coil                                |
| 9-179-35  | Coil          | 9-1989-1  | Coil                                |
| 9-179-36  | Coil          | 920       | Contactactor                        |
| 9-179-37  | Coil          | 9-20-105  | Coil                                |
| 9-179-38  | Coil          | 921       | Complete D-C Ltl Contactactor       |
| 9-179-39  | Coil          | 9-2126-1  | Coil                                |
| 9-179-4   | Coil          | 9-222F-15 | Coil                                |
| 9-179-42  | Coil          | 923       | Nema 3 Contactactor N.C.            |
| 9-179-43  | Coil          | 9-231-28  | Coil                                |
| 9-179-5   | Coil          | 9-231-29  | Blowout Coil                        |
| 9-18-1    | Coil          | 9-231-7   | Coil                                |
| 9-18-10   | Coil          | 9-23-5    | Coil                                |
| 9-18-11   | Coil          | 924       | Nema 4 Contactactor N.C.            |
| 9-1811-74 | Coil          | 925       | Nema 5 Contactactor N.C.            |
| 9-18-14   | Coil          | 9-253-1   | Coil                                |
| 9-18-16   | Coil          | 9-253-11  | Coil, Shunt 14" 503                 |
| 9-18-18   | Coil          | 9-253-8   | Coil                                |
| 9-18-25   | Coil          | 9-254-6   | Coil                                |
| 9-18-27   | Blowout Coil  | 9-254-7   | Coil                                |
| 9-18-29   | Coil          | 9-256-2   | Coil                                |
| 9-18-3    | Coil          | 9-256-3   | Coil                                |
| 9-18-30   | Coil          | 9-256-6   | Coil                                |
| 9-18-32   | Coil          | 9-256-9   | Coil                                |
| 9-18-4    | Coil          | 9-257-7   | Coil                                |
| 9-18-6    | Coil          | 9-259-5   | Coil, 46 Volt                       |
| 9-18-7    | Coil          | 926       | Nema 6 S.P.N.C. Contactactor C80JL4 |
| 9-1887-2  | Coil          | 9-2628-1  | Coil                                |
| 9-1891-3  | Coil          | 9-2628-2  | Coil                                |
| 919-1873  | Keeper Plate  | 9-2628-3  | Coil                                |
| 919-1874  | Guide         | 9-2637-1  | Coil                                |
| 9-193-4   | Coil          | 9-264-2   | Coil                                |
| 9-1955-1  | Coil          | 9-264-4   | Coil                                |
| 9-1956-1  | Coil          | 9-264-5   | Coil                                |
| 9-1956-2  | Coil          | 9-265-1   | Coil                                |
| 9-1957-1  | Coil          | 9-265-10  | Coil                                |
| 9-1958-1  | Coil          | 9-265-13  | Coil                                |
| 9-1958-2  | Coil          | 9-265-2   | Series Brake Coil                   |
| 9-1959-1  | Coil          | 9-265-4   | Coil                                |
| 9-1959-2  | Coil          | 9-265-5   | Coil                                |
| 9-1960-1  | Coil          | 9-265-7   | Coil                                |

This document utilizes an interactive table of contents to help you jump from one section to another. Click the button to return to the table of contents.

**RETURN TO  
TABLE OF CONTENTS**

*SAFETY LIMIT STOPS*

*BRAKES*

*CONTACTORS*

*INDEX*

This document utilizes an interactive table of contents to help you jump from one section to another. Click the button to return to the table of contents.

**RETURN TO  
TABLE OF CONTENTS**

*SAFETY LIMIT STOPS*

*BRAKES*

*CONTACTORS*

*INDEX*

| OEM PART     | DESCRIPTION                    | OEM PART  | DESCRIPTION               |
|--------------|--------------------------------|-----------|---------------------------|
| 9-265-9      | 18" Series Coil                | 9-460-269 | Blowout Coil, AC          |
| 9-266-2      | Series Coil                    | 9-460-393 | Coil                      |
| 9-266-4      | Series Coil                    | 9-460-40  | Bar Wound Coil            |
| 9-266-5      | Series Coil                    | 9-460-434 | Blowout Coil              |
| 9-266-7      | Coil                           | 9-460-435 | Blowout Coil              |
| 9-266-9      | Coil 100HP 1 Hr., 135HP 1/2Hr. | 9-460-437 | Blowout Coil              |
| 929-1126Z    | Spacer                         | 9-460-438 | Blowout Coil              |
| 929-759      | Shoe Lever Bushing             | 9-460-443 | Blowout Coil              |
| 929-760      | Armature Bushings (Base)       | 9-460-445 | Blowout Coil, 230 V.D.C.  |
| 9-29-78      | Coil                           | 9-460-446 | Blowout Coil, 230 V. D.C. |
| 929-788      | Armature Bushings (Base)       | 9-460-447 | Blowout Coil              |
| 929-789      | Bushings                       | 9-460-448 | Blowout Coil Left Hand    |
| 929-790      | Armature Bushings (Base)       | 9-460-449 | Blowout Coil Left Hand    |
| 929-791      | Bushings                       | 9-460-450 | Blowout Coil, DC          |
| 929-800      | Armature Bushings (Base)       | 9-460-451 | Blowout Coil 550 V. D.C.  |
| 929-802      | Bushing                        | 9-460-459 | Blowout Coil              |
| 929-805      | Bushing                        | 9-460-460 | Blowout Coil              |
| 929-806      | Armature Bushings (Base)       | 9-460-462 | Blowout Coil 220 VAC      |
| 929-901      | Spacer                         | 9-460-463 | Blowout Coil A.C.         |
| 929-992      | Spacer                         | 9-460-496 | Blowout Coil              |
| 9-30-204     | Coil                           | 9-460-55  | Blowout Coil              |
| 9-30-21      | Coil                           | 9-460-99  | Blowout Coil              |
| 932          | Complete Single Pole Contactor | 9-472-3   | Coil                      |
| 9-32-7       | Coil                           | 9-476-1   | Coil                      |
| 9-3288-11    | Shoe Lever, Inner              | 9-476-2   | Coil                      |
| 933          | Nema 3 Contactor Ltl           | 9-476-3   | Coil                      |
| 933-201Z     | Clip                           | 9-477-23  | Coil                      |
| 933-203Z     | Protecting Clip                | 9-477-4   | Coil 230 Volt             |
| 933-242Z1    | Locking Clip                   | 9-481-3   | Coil                      |
| 9-333-17     | Coil                           | 9-483-17  | Coil                      |
| 9-339-7      | Coil                           | 9-483-6   | Coil                      |
| 934          | Nema 4 Contactor Ltl           | 9-483-7   | Coil                      |
| 9-3-43       | Coil                           | 9-487-51  | Coil                      |
| 935          | Nema 5 Contactor Ltl           | 9-4911-8  | Coil                      |
| 936          | Contactor Ltl, 6006H60         | 9-494-10  | Coil                      |
| 9-37-13      | Coil                           | 9-494-12  | Coil                      |
| 939-481      | Pipe Plug                      | 9-494-2   | Coil                      |
| 940-1121-AZ  | Finger                         | 9-494-5   | Coil                      |
| 940-1121-AZ3 | Finger                         | 9-494-8   | Coil                      |
| 940-1121-AZ5 | Finger                         | 9-495-2   | Coil                      |
| 940-1121-AZ8 | Finger                         | 949-54    | Magnet Frame              |
| 940-1122-AZ  | Finger                         | 9-508-6   | Coil                      |
| 940-961-AZ2  | Finger                         | 9-508-7   | Coil                      |
| 940-961-AZ3  | Finger                         | 9-514-2   | Coil                      |
| 940-963AZ1   | Contact Finger                 | 952       | Contactor                 |
| 940-963-AZ1  | Finger                         | 9-527-6   | Coil                      |
| 940-963-AZ6  | Finger                         | 9-529-1   | Coil                      |
| 940-963-AZ7  | Finger                         | 9-529-10  | Blowout Coil              |
| 94-1232-11   | Resistor, 52 ohms              | 9-529-17  | Coil                      |
| 94-1232-14   | Resistor                       | 9-529-2   | Coil                      |
| 94-1232-7    | Resistor                       | 9-529-3   | Coil                      |
| 94-1232-8    | Resistor                       | 9-529-4   | Coil                      |
| 94-1232-9    | Resistor                       | 9-529-5   | Coil                      |
| 9-415-18     | Coil                           | 9-529-6   | Coil                      |
| 944          | Complete Two-Pole Contactor    | 9-5-4     | Coil                      |
| 945          | Complete Two-Pole Contactor    | 9-54-21   | Coil                      |
| 9-460-161    | Blowout Coil                   | 9-546-64  | Coil                      |
| 9-460-162    | Blowout Coil                   | 9-547-2   | Coil                      |
| 9-460-163    | Blowout Coil                   | 9-547-28  | Coil, 550 VDC             |
| 9-460-165    | Blowout Coil, DC               | 9-547-4   | Coil, 230 VDC             |
| 9-460-193    | Blowout Coil                   | 9-547-7   | Coil, 115 VDC             |
| 9-460-222    | Blowout Coil                   | 9-548-15  | Coil                      |
| 9-460-232    | Blowout Coil                   | 9-548-17  | Coil                      |
| 9-460-247    | Blowout Coil                   | 9-548-19  | Coil                      |
| 9-460-255    | Coil                           | 9-549-5   | Coil                      |

| OEM PART   | DESCRIPTION           | OEM PART  | DESCRIPTION                       |
|------------|-----------------------|-----------|-----------------------------------|
| 9-550-34-2 | Shading Coil          | 964-1Z    | Ring                              |
| 9-551-1    | Coil                  | 9-642-25  | Coil                              |
| 9-554-11   | Coil                  | 9-642-59  | Coil                              |
| 9-554-14   | Coil                  | 9-66-1    | Coil                              |
| 9-554-3    | Coil                  | 9-66-3    | Coil                              |
| 955-46     | Clamp                 | 969-1001J | Spring                            |
| 955-51     | Clamp                 | 969-1162  | Spring                            |
| 9-555-60   | Coil                  | 969-1501J | Spring                            |
| 955-802Z   | Clamp                 | 969-16    | Spring                            |
| 9-560-19   | Coil                  | 969-196   | Spring                            |
| 956-16     | Shaft                 | 969-19J   | Spring                            |
| 956-1606   | Shaft                 | 969-2001J | Spring                            |
| 956-1607   | Shaft                 | 969-265   | Spring In Brake Shoe              |
| 956-1838   | Pin                   | 969-26J   | Spring in Brake Shoe              |
| 956-334    | Shaft                 | 969-3681J | Spring, 75 lb. Ft. torque (inner) |
| 956-343    | Shaft                 | 969-3841J | Spring For Pull Rod               |
| 956-511    | Shaft                 | 969-4     | Coil                              |
| 9-567-1    | Coil                  | 969-428   | Spring                            |
| 9-571-92-3 | Coil                  | 969-433   | Spring in Brake Shoe              |
| 9-576-37   | Coil                  | 969-434   | Spring in Brake Shoe              |
| 9-576-57   | Coil                  | 969-439   | Spring                            |
| 9-576-64   | Coil                  | 9-694-44  | Coil                              |
| 9-580-2    | Coil                  | 969-461   | Spring for Pull Rod               |
| 9-580-3    | Coil                  | 969-463   | Spring                            |
| 9-580-4    | Coil                  | 969-482   | Spring                            |
| 9-580-45   | Coil                  | 969-488   | Spring                            |
| 9-580-5    | Coil, 480 V 60 Cycle  | 9-694-9   | Coil                              |
| 9-584-13   | Coil                  | 969-552   | Spring                            |
| 9-585-1    | Coil                  | 969-608J  | Spring                            |
| 9-585-12   | Coil                  | 969-651   | Spring in Brake Shoe              |
| 9-585-16   | Coil                  | 969-75J   | Spring in Brake Shoe              |
| 9-585-18   | Coil                  | 969-771J  | Spring                            |
| 9-585-2    | Coil                  | 969-886J  | Spring                            |
| 9-585-26   | Coil, 600 V 60 Hz     | 969-887J  | Spring                            |
| 9-585-28   | Coil, 110 Volt AC     | 9-70-25   | Coil                              |
| 9-585-3    | Coil                  | 9-70-3    | Coil                              |
| 9-585-4    | Coil, 480 VAC 60 CYC  | 970-645Z  | Flat Spring                       |
| 9-585-41   | Coil, 120 VAC         | 9-717-2   | Coil                              |
| 9-585-5    | Coil                  | 9-72-10   | Coil                              |
| 9-585-59   | Coil                  | 9-72-13   | Coil                              |
| 9-585-9    | Coil, 480 VAC, 60 CYC | 9-72-57   | Coil                              |
| 9-591-10   | Coil, 240 Volt        | 9-72-69   | Coil                              |
| 9-591-11   | Coil 480 V 60 Cyc.    | 9-72-80   | Coil                              |
| 9-591-5    | Coil                  | 9-730-21  | Coil                              |
| 9-591-9    | Coil, 120 VAC         | 9-737-2   | Coil                              |
| 9-61-1     | Coil                  | 9-74-28   | Blow-out Coil                     |
| 9-61-11    | Coil                  | 9-758-1   | Coil                              |
| 9-61-13    | Coil                  | 9-758-20  | Coil, 480 V 60 Hz. 160 ft/lb      |
| 9-61-14    | Coil                  | 9-758-3   | Coil                              |
| 9-61-17    | Coil                  | 9-758-4   | Coil, 480 V 60 Hz. 125 ft/lb      |
| 9-61-19    | Coil                  | 9-7-7001  | Coil                              |
| 9-61-4     | Coil                  | 979-1007J | Bracket                           |
| 9-61-5     | Coil                  | 979-14    | Support                           |
| 9-61-6     | Coil                  | 979-685Z  | Finger Support                    |
| 9-61-9     | Coil                  | 979-807J  | Bracket                           |
| 962-1204Z  | DC Pole Piece         | 9-814-2   | Arc Shield Complete               |
| 962-1522Z  | Pole Piece, LH        | 9-827-1   | Coil                              |
| 962-1522Z1 | Pole Piece, RH        | 9-827-10  | Coil                              |
| 962-44     | Pole Piece            | 9-827-11  | Coil                              |
| 962-49     | Pole Piece, RH        | 9-827-2   | Coil                              |
| 962-50     | Pole Piece, LH        | 9-827-3   | Coil                              |
| 962-54     | Pole Piece            | 9-827-4   | Coil                              |
| 9-626-2    | Coil                  | 9-827-5   | Coil                              |
| 9-627-2    | Coil                  | 9-827-6   | Coil                              |
| 962-923Z   | Pole Piece            | 9-827-7   | Coil                              |

This document utilizes an interactive table of contents to help you jump from one section to another. Click the button to return to the table of contents.

**RETURN TO  
TABLE OF CONTENTS**

*SAFETY LIMIT STOPS*

*BRAKES*

*CONTACTORS*

*INDEX*



This document utilizes an interactive table of contents to help you jump from one section to another. Click the button to return to the table of contents.

**RETURN TO  
TABLE OF CONTENTS**

*SAFETY LIMIT STOPS*

*BRAKES*

*CONTACTORS*

*INDEX*

| OEM PART | DESCRIPTION           | OEM PART | DESCRIPTION            |
|----------|-----------------------|----------|------------------------|
| 9-827-8  | Coil                  | 9-864-7  | Coil                   |
| 9-827-9  | Coil                  | 9-864-8  | Coil                   |
| 9-838-2  | Coil                  | 9-864-9  | Coil                   |
| 9-840-1  | Coil                  | 9-865-1  | Coil                   |
| 9-840-2  | Coil                  | 9-865-13 | Coil                   |
| 9-840-3  | Coil                  | 9-865-14 | Coil                   |
| 9-840-4  | Coil                  | 9-865-2  | Coil                   |
| 9-840-5  | Coil                  | 9-865-3  | Coil                   |
| 9-840-6  | Coil                  | 9-865-4  | Coil                   |
| 9-840-7  | Coil                  | 9-865-5  | Coil                   |
| 9-841-1  | Coil                  | 9-866-1  | 16" Shunt Coil         |
| 9-841-10 | Coil                  | 9-866-2  | Coil                   |
| 9-841-11 | Coil                  | 9-866-3  | Coil                   |
| 9-841-12 | Coil                  | 9-866-4  | Coil                   |
| 9-841-13 | Coil                  | 9-866-5  | Coil                   |
| 9-841-14 | Coil                  | 9-867-1  | Coil                   |
| 9-841-15 | Coil                  | 9-867-2  | Coil                   |
| 9-841-16 | Coil                  | 9-867-3  | Coil                   |
| 9-841-2  | 19" Coil              | 9-867-4  | Coil                   |
| 9-841-3  | Coil                  | 9-86-8   | Coil                   |
| 9-841-4  | Coil                  | 9-868-1  | Coil                   |
| 9-841-5  | Coil                  | 9-868-2  | Shunt Coil             |
| 9-841-6  | Coil                  | 9-86-9   | Coil                   |
| 9-841-7  | Coil                  | 9-871-1  | Shunt Coil             |
| 9-841-8  | Coil                  | 9-871-10 | Coil                   |
| 9-841-9  | Series Coil           | 9-871-12 | Coil                   |
| 9-844-1  | Coil                  | 9-871-13 | Coil                   |
| 9-844-2  | Coil                  | 9-871-2  | Coil                   |
| 9-844-3  | Coil                  | 9-871-3  | Coil                   |
| 9-844-4  | Coil                  | 9-871-4  | Coil                   |
| 9-845-1  | Coil                  | 9-871-5  | Coil                   |
| 9-845-10 | Coil                  | 9-871-6  | Coil                   |
| 9-845-11 | Coil                  | 9-871-7  | Shunt Coil             |
| 9-845-12 | Coil                  | 9-871-8  | Shunt Coil             |
| 9-845-2  | Coil                  | 9-871-9  | Coil                   |
| 9-845-3  | Coil                  | 9-872-1  | Coil                   |
| 9-845-4  | Coil                  | 9-872-10 | Coil                   |
| 9-845-5  | Coil                  | 9-872-11 | Shunt Coil             |
| 9-845-6  | Coil                  | 9-872-12 | Coil                   |
| 9-845-7  | Coil                  | 9-872-13 | Coil                   |
| 9-845-8  | Coil                  | 9-872-14 | Coil                   |
| 9-845-9  | Coil                  | 9-872-15 | Coil                   |
| 9-847-1  | Coil                  | 9-872-16 | Coil                   |
| 9-847-13 | Coil                  | 9-872-17 | Coil                   |
| 9-847-14 | Coil                  | 9-872-18 | Shunt Coil             |
| 9-847-17 | Shunt Coil, 18.9 ohms | 9-872-2  | Coil                   |
| 9-847-2  | Coil                  | 9-872-3  | Coil                   |
| 9-847-3  | Coil                  | 9-872-4  | Coil                   |
| 9-847-4  | Coil                  | 9-872-5  | Series Coil, 7.5-10 HP |
| 9-847-5  | Coil                  | 9-872-6  | Coil                   |
| 9-847-6  | Coil                  | 9-872-7  | Coil                   |
| 9-847-7  | Coil                  | 9-872-8  | Coil                   |
| 985-175  | Core                  | 9-872-9  | Coil                   |
| 9-85-7   | Coil                  | 9-875-1  | Coil                   |
| 985-762  | Core                  | 9-875-10 | Coil                   |
| 9-85-8   | Coil                  | 9-875-11 | Coil                   |
| 985-962Z | Core DC (solid)       | 9-875-12 | Coil                   |
| 9-864-1  | Coil                  | 9-875-15 | Coil                   |
| 9-864-10 | Coil                  | 9-875-16 | Coil                   |
| 9-864-12 | Coil                  | 9-875-18 | Coil                   |
| 9-864-2  | Shunt Coil, 44.6 ohms | 9-875-2  | Coil                   |
| 9-864-3  | Coil                  | 9-875-3  | Coil                   |
| 9-864-4  | Coil                  | 9-875-4  | Coil                   |
| 9-864-5  | Coil                  | 9-875-5  | Coil                   |
| 9-864-6  | Coil                  | 9-875-6  | Coil                   |

| OEM PART | DESCRIPTION               | OEM PART  | DESCRIPTION                   |
|----------|---------------------------|-----------|-------------------------------|
| 9-875-7  | Shunt Coil                | 9-888-2   | Coil                          |
| 9-875-8  | Coil                      | 9-888-3   | Coil                          |
| 9-875-9  | Coil                      | 9-889-1   | 23" Shunt Coil                |
| 988      | Nema 8 Contactor Complete | 9-889-2   | Coil                          |
| 9-883-1  | Coil                      | 9-889-3   | Shunt Coil                    |
| 9-883-10 | Coil                      | 9-889-5   | 23" 505 Shunt Coil            |
| 9-883-11 | Coil                      | 9-890-1   | Coil                          |
| 9-883-2  | Coil                      | 9-890-2   | Coil                          |
| 9-883-3  | Coil                      | 9-890-3   | Coil                          |
| 9-883-4  | Coil                      | 9-91-12   | Coil                          |
| 9-883-5  | Coil                      | 9-91-13   | Coil                          |
| 9-883-6  | Coil                      | 9-91-16   | Coil                          |
| 9-883-7  | 13" Series Coil           | 9-91-23   | Coil                          |
| 9-883-8  | Coil                      | 9-91-29   | Coil                          |
| 9-883-9  | Coil                      | 9-91-32   | Coil                          |
| 9-884-1  | Coil                      | 9-91-36   | Coil                          |
| 9-884-10 | Coil                      | 9-91-37   | Coil                          |
| 9-884-11 | Coil                      | 9-91-38   | Coil                          |
| 9-884-2  | Coil                      | 9-91-39   | Coil                          |
| 9-884-3  | Coil                      | 9-91-40   | Coil                          |
| 9-884-4  | Coil                      | 9-91-42   | Coil                          |
| 9-884-5  | Coil                      | 9-91-5    | Coil                          |
| 9-884-6  | Coil                      | 9-91-53   | Coil                          |
| 9-884-7  | Coil                      | 9-91-55   | Coil                          |
| 9-884-8  | Coil                      | 9-91-57   | Coil                          |
| 9-884-9  | Coil                      | 9-91-58   | Coil                          |
| 9-885-1  | Coil                      | 99-1594-3 | Interlock Kit                 |
| 9-885-10 | Coil                      | 9-91-6    | Coil                          |
| 9-885-11 | Coil                      | 9-91-61   | Coil                          |
| 9-885-12 | Coil                      | 9-91-70   | Coil                          |
| 9-885-13 | Coil                      | 9-91-73   | Coil                          |
| 9-885-14 | Coil                      | 9-91-74   | Coil                          |
| 9-885-15 | Series Coil               | 9-91-81   | Coil                          |
| 9-885-16 | Coil, 75-100 HP           | 9-91-82   | Coil                          |
| 9-885-17 | Coil                      | 9-91-84   | Coil                          |
| 9-885-18 | Coil                      | 9-91-85   | Coil                          |
| 9-885-19 | Coil                      | 9-91-86   | Coil                          |
| 9-885-2  | Coil                      | 9-91-87   | Coil                          |
| 9-885-20 | Coil                      | 9-91-88   | Coil                          |
| 9-885-21 | Coil                      | 9-91-9    | Coil                          |
| 9-885-22 | Coil                      | 99-2014A  | Retro Fit Kit F Master Switch |
| 9-885-23 | Coil                      | 99-2058   | 8" Retro Fit Kit              |
| 9-885-24 | Series Coil               | 99-2058-2 | 10" Retro Fit Kit             |
| 9-885-25 | Coil, 100-135 HP          | 99-2058-3 | 13" Retro Fit Kit             |
| 9-885-27 | Coil                      | 99-2059   | 16" Retro Fit Kit             |
| 9-885-3  | Coil                      | 99-2059-2 | 19" Retro Fit Kit             |
| 9-885-4  | 19" Series Coil           | 99-2059-3 | 23" Retro Fit Kit             |
| 9-885-5  | Coil                      | 9-92-12   | Coil                          |
| 9-885-6  | Coil                      | 9-92-13   | Coil                          |
| 9-885-7  | Coil                      | 9-921-3   | Coil                          |
| 9-885-8  | Coil                      | 9-92-20   | Coil                          |
| 9-885-9  | Coil                      | 9-92-49   | Coil                          |
| 9-886-1  | Coil                      | 9-92-55   | Coil                          |
| 9-886-10 | Coil                      | 9-928-2   | Coil                          |
| 9-886-13 | Coil                      | 99-360    | Dash Pot Oil                  |
| 9-886-14 | Coil                      | 9-938-2   | Coil                          |
| 9-886-2  | Coil                      | 9-940-1   | Coil                          |
| 9-886-3  | Coil                      | 9-941-12  | Coil, 480 VAC                 |
| 9-886-4  | Coil                      | 9-941-15  | Coil                          |
| 9-886-5  | Coil                      | 9-941-17  | Coil, 440 V 60 Cy             |
| 9-886-6  | Coil                      | 9-941-2   | Coil                          |
| 9-886-7  | Coil                      | 9-941-20  | Coil                          |
| 9-886-8  | Coil, 200-265 HP          | 9-941-25  | Coil                          |
| 9-886-9  | Coil                      | 9-941-3   | Coil                          |
| 9-888-1  | Coil                      | 9-941-4   | Coil                          |

This document utilizes an interactive table of contents to help you jump from one section to another. Click the button to return to the table of contents.

**RETURN TO  
TABLE OF CONTENTS**

*SAFETY LIMIT STOPS*

*BRAKES*

*CONTACTORS*

*INDEX*

| OEM PART     | DESCRIPTION                            | OEM PART      | DESCRIPTION                           |
|--------------|--|---------------|---------------------------------------|
| 9-941-6      | Coil                                   | GH121DAA4111  | P100 Duplex Limit Switch Complete     |
| 9-941-8      | Coil, 120 V 60 Hz                      | GH121SAA1100  | P100A Simplex Limit Switch with Lever |
| 99-468       | Insulating Mounting Material           | GH121SAA1111  | P100 Simplex Limit Switch Complete    |
| 9-9486-8     | Coil                                   | GH121SAA4100  | P100 Simplex Limit Switch with Lever  |
| 9-95-11      | Coil                                   | GH121SAA4111  | P100 Power Limit Switch complete      |
| 9-95-24      | Coil                                   | GH122DAA1100  | P200 Duplex Limit Switch with Lever   |
| 9-95-30      | Coil                                   | GH122DAA1111  | P200 Duplex Limit Switch Complete     |
| 9-962-54     | Coil                                   | GH122SAA1000  | P200 Simplex Limit Switch             |
| 99-638       | Shaft Insulation Repair Kit            | GH122SAA1100  | P200 Simplex Limit Switch with Lever  |
| 99-638-2     | Stationary Shaft Insulation Repair Kit | GH122SAA1111  | P200 Simplex Limit Switch Complete    |
| 99-638-3     | Shaft Insulation Repair Kit            | GH123DAA1100  | P375 Duplex Limit Switch              |
| 99-638-4     | Shaft Insulation Repair Kit            | GH123DAA1111  | P375 Duplex Limit Switch Complete     |
| 99-638-5     | Shaft Insulation Repair Kit            | GH123SAA1000  | P375 Limit Switch without Lever       |
| 9-967-1      | Coil                                   | GH123SAA1100  | P375 Limit Switch with Lever          |
| 99-673       | Repair Kit for Hydraulic Cylinder      | GH123SAA1111  | P375 Complete with Lever              |
| 99-673-2     | Seal Kit                               | GH503-14      | 14" Type M Brake                      |
| 99-673-6     | Seal Kit                               | GH505A        | 8" Type GH505 Brake                   |
| 9-967-5      | Coil                                   | GH505B        | 10" Type GH505 Brake                  |
| 9-967-7      | Coil                                   | GH505BAA1206  | 505 10" w/series coil                 |
| 9-967-8      | Coil, 115 VDC                          | GH505BAB      | Weather Resistant Cover               |
| 9-969-1      | Coil                                   | GH505C        | 13" Type GH505 Brake                  |
| 9-969-3      | Coil                                   | GH505D        | 16" Type GH505 Brake                  |
| 9-969-4      | Coil                                   | GH505E        | 19" Type GH505 Brake                  |
| 9-969-7      | Blowout Coil                           | GH505F        | 23" Type GH505 Brake                  |
| 9-97-5       | Coil                                   | GH505FAA1603N | 23" 505 Brake                         |
| 9-976-7      | Coil                                   | GH505FCA      | 23" Brake with Manual Release         |
| 9-986-8      | Coil                                   | GH505GAA      | 30" 505 Brake Complete                |
| 999-119      | Elliptical Clip                        | GH505KXB02    | 10" Brake Wheel                       |
| 9-A-12-27    | Coil                                   | GH505KXB03    | 10" Brake Wheel                       |
| AC-164       | Coil                                   | GH505MXD02    | 16" Brake Wheel, (Frames 608 & 808)   |
| C80DF14      | 25 Amp Contactor with 100 VDC Coil     | GH505MXD03    | 16" Brake Wheel, (Frames 610 & 810)   |
| C80DF22      | 2 Pole Contactor                       | GH505MXD04    | 16" Brake Wheel                       |
| C80DG12      | 912, Nema 2 Contactor, 1 N.O.          | GH505MXD07    | 16" Universal Brake Wheel             |
| C80EH121     | Nema 3 Normally Open 913 Contactor     | GH505NXE03    | 19" Brake Wheel, (Frames 612 & 812)   |
| C80EH121N00  | Nema 3, N.O.S.P. 913 Contactor         | GH505NXE04    | 19" Brake Wheel, (Frames 614 & 814)   |
| C80EH421     | Nema 3 Normally Closed 923 Contactor   | GH505PXF02    | 23" Brake Wheel, (Frames 614 & 814)   |
| C80FJ121     | C-H 914 N.O. S.P. Contactor            | GH505PXF04    | 23" Brake Wheel                       |
| C80GK121     | 915 Nema 5, N.O. S.P. Contactor        | GH505RXG      | 30" Brake Wheel                       |
| C80GK421     | 925 Nema 5, N.C. S.P. Contactor        | GH505RXG03    | 30" Brake Wheel, (Frames 620 & 820)   |
| C80JL121     | C-H 916 N.O. S.P. Contactor            | GH506BAA      | 10" GH506 Electro-Hydraulic Brake     |
| C80JL421     | 926, Nema 6 Normally Closed Contactor  | GH506CAA      | 13" GH506 Electro-Hydraulic Brake     |
| C80KM121     | 920, Nema 6A Contactor, 1 N.O.         | GH515ED20-1   | Rectifier, 230 VAC, Nema 12 Enclosure |
| C80WN1       | Nema 8 Contactor Complete              | L483507G01    | Coil, 115V                            |
| C81AEA12     | Mounting Material                      | L483508G01    | 550V Coil                             |
| C81AEA13     | Contactor Mounting Kit, Size 3 & 4     | L548879G01    | 600v Coil                             |
| C81AGA13     | Size 5 Mounting Kit, Elevated          | LR549720G01   | 250V Coil                             |
| C81DEA11     | Mechanical Interlock                   | P100A         | Lead Grommets                         |
| C81DEB21     | Nema 3 & 4 Mechanical Interlock        | P-200         | Power Limit Switch                    |
| C81DGA11     | Mechical Interlock, Size 5             |               |                                       |
| C81DGB21     | Mechanical Interlock                   |               |                                       |
| C81DJA21     | Mechanical Interlock                   |               |                                       |
| C81DJB21     | Mechanical Interlock                   |               |                                       |
| C82DX1       | Nema 1 Ltl Contactor                   |               |                                       |
| C82EH1       | Nema 3 Ltl 933 Contactor               |               |                                       |
| C82FJ120     | Nema 4 Ltl Contactor, 934              |               |                                       |
| C82GK1       | 935 Nema 5, Ltl Contactor              |               |                                       |
| GH120SAA1000 | P50 Limit Switch less lever or weight  |               |                                       |
| GH120SAA1100 | P50 Limit Switch with Lever            |               |                                       |
| GH120SAA1111 | Limit Switch Complete                  |               |                                       |
| GH120SAA4000 | P50 Simplex Switch less Lever & Weight |               |                                       |
| GH120SAA4100 | P50 Switch with Lever, 460 VAC         |               |                                       |
| GH120SAA4111 | P50 Switch, 460VAC, w/lever & weight   |               |                                       |
| GH121DAA1100 | P100 Duplex Limit Switch with Lever    |               |                                       |
| GH121DAA4000 | P100 Duplex Power Limit Switch         |               |                                       |
| GH121DAA4100 | P100 Duplex Limit Switch with Lever    |               |                                       |

This document utilizes an interactive table of contents to help you jump from one section to another. Click the button to return to the table of contents.

**RETURN TO  
TABLE OF CONTENTS**

*SAFETY LIMIT STOPS*

*BRAKES*

*CONTACTORS*

*INDEX*

**REPLACEMENT PARTS CATALOG  
TABLE OF CONTENTS**

|                                     |       |
|-------------------------------------|-------|
| Form C103AA DC Magnetic Brake ..... | 3     |
| IC9528 A100 8" Brake .....          | 5     |
| IC9528 A101 10" Brake .....         | 7     |
| IC9528 A102 13" Brake .....         | 9     |
| IC9528 A103 16" Brake .....         | 11    |
| IC9528 A104 19" Brake .....         | 13    |
| IC9528 A105 23" Brake .....         | 15    |
| <br>                                |       |
| INDEX.....                          | 16-37 |

This document utilizes an interactive table of contents to help you jump from one section to another. Click the button to return to the table of contents.

---

**RETURN TO  
TABLE OF CONTENTS**

***BRAKES***

- FORM C103AA DC MAGNETIC BRAKE
- IC9528 A100 8" BRAKE
- IC9528 A101 10" BRAKE
- IC9528 A102 13" BRAKE
- IC9528 A103 16" BRAKE
- IC9528 A104 19" BRAKE
- IC9528 A105 23" BRAKE

***INDEX***

If you are unable to locate the item you need, please call or e-mail us so that we can assist in finding required item.  
General Electric is a registered trademark

PHONE (800) 310-5999 FAX (330) 648-2774

www.ohiocontact.com sales@ohiocontact.com

© 2014 The Ohio Contact Company

This document utilizes an interactive table of contents to help you jump from one section to another. Click the button to return to the table of contents.

**RETURN TO  
TABLE OF CONTENTS**

*BRAKES*

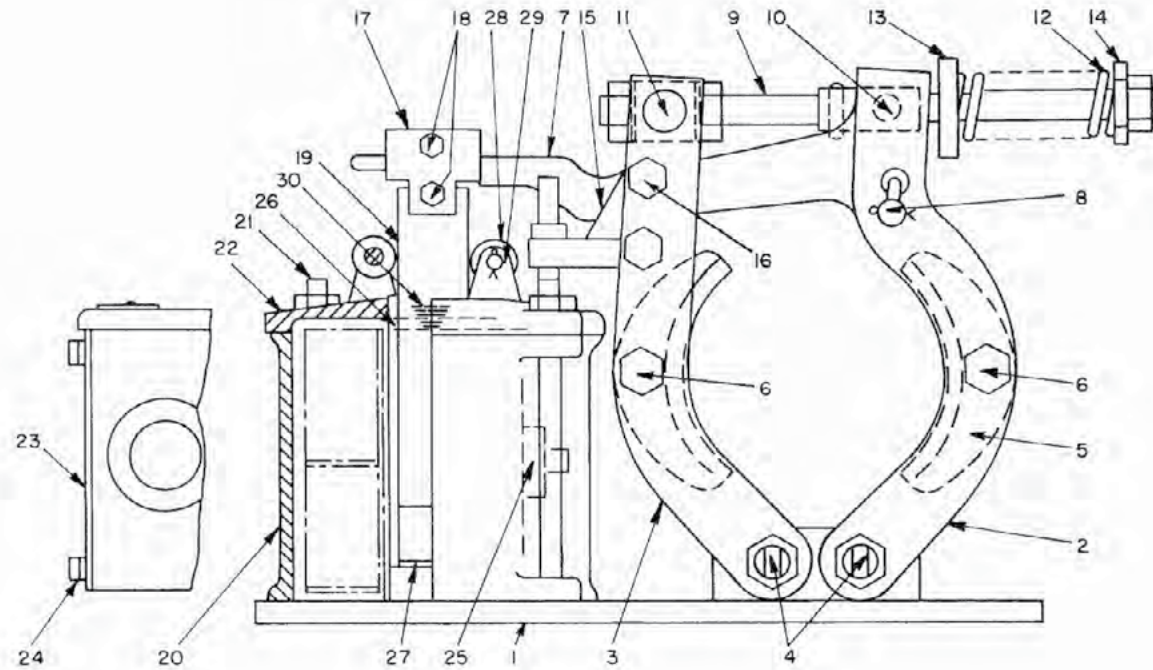
- FORM C103AA DC MAGNETIC BRAKE
- IC9528 A100 8" BRAKE
- IC9528 A101 10" BRAKE
- IC9528 A102 13" BRAKE
- IC9528 A103 16" BRAKE
- IC9528 A104 19" BRAKE
- IC9528 A105 23" BRAKE

*INDEX*



This document utilizes an interactive table of contents to help you jump from one section to another. Click the button to return to the table of contents.

**RETURN TO  
TABLE OF CONTENTS**



**BRAKES**

- FORM C103AA DC MAGNETIC BRAKE
- IC9528 A100 8" BRAKE
- IC9528 A101 10" BRAKE
- IC9528 A102 13" BRAKE
- IC9528 A103 16" BRAKE
- IC9528 A104 19" BRAKE
- IC9528 A105 23" BRAKE

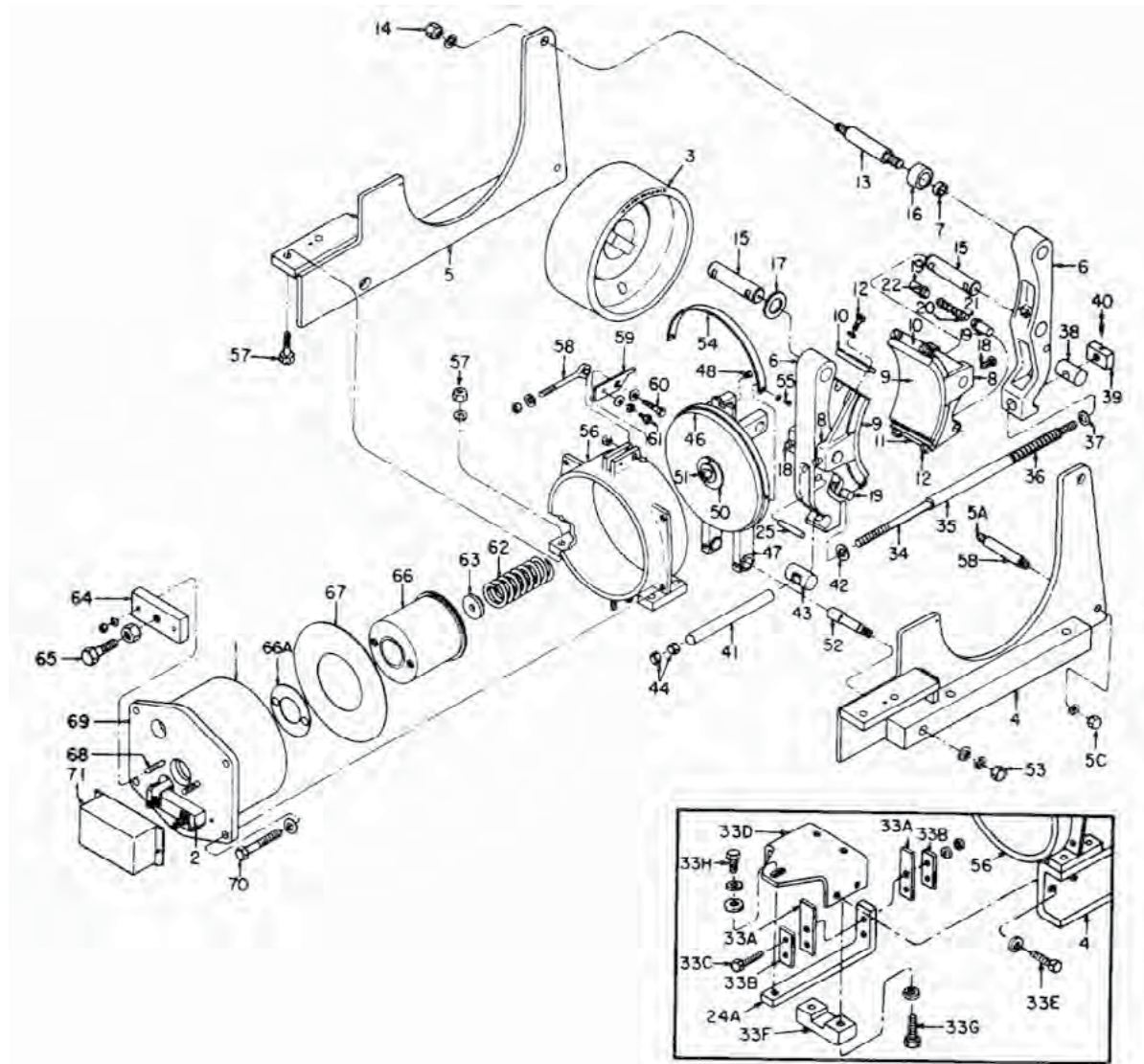
**INDEX**

**Form C103AA DC Magnetic Brake**

| ITM     | OEM Part         | DESCRIPTION             | ITM     | OEM Part         | DESCRIPTION       |
|---------|------------------|-------------------------|---------|------------------|-------------------|
| 1.....  | 3818987G2.....   | Base                    | 20..... | 3818928P1 .....  | Magnet Frame      |
| 2.....  | 3647907P2 .....  | Yoke, RH Front          | 21..... | 8048527.....     | Stud              |
| 3.....  | 3647907P1 .....  | Yoke, LH Front & Rear   | 22..... | 3818928P2 .....  | Top Cover         |
| 4.....  | 2468478.....     | Pin for Base & Yokes    | 23..... | 2437944.....     | Back Cover        |
| 5.....  | 2841055G4.....   | Brake Shoe with Lining  | 24..... | N21P21008 .....  | Screw             |
| 6.....  | N22P25080B6..... | Bolt                    | 25..... | 577A101P5.....   | Pipe Plug         |
| 7.....  | 3647908P14 ..... | Operating Lever         | 26..... | 2439424.....     | Sleeve            |
| 8.....  | 2841044G3.....   | Pin                     | 27..... | 2439437.....     | Disc              |
| 9.....  | 2841052G1.....   | Connection Rod          | 28..... | 2463746.....     | Roller            |
| 10..... | 2468485.....     | Pin                     | 29..... | 1434518.....     | Pin               |
| 11..... | 2468480.....     | Guide Block             | 30..... | 2413332.....     | Spring            |
| 12..... | 2412650.....     | Spring                  | *       | 5189824P2 .....  | Lining Rivets     |
| 13..... | 2841053G1.....   | Spring Seat, Inner      | *       | 3647907P3 .....  | Yoke, RH Rear     |
| 14..... | 2468479.....     | Spring Seat, Outer      | *       | 3641064P2 .....  | Brake Shoe        |
| 15..... | 2841045G4.....   | Back Stop Assembly      | *       | 205A4704P1 ..... | Brake Shoe Lining |
| 16..... | N22P25016B6..... | Screw Fastening Support | *       | 286A113P27 ..... | Set Screw         |
| 17..... | 9645025.....     | Link                    | *       | 278A167G1.....   | Core Assembly     |
| 18..... | 9645024.....     | Pin                     | *       | 3024265.....     | Coil              |
| 19..... | 2437946.....     | Movable Core            | *       | 9645027.....     | Roller            |

# O.C.C. Replacement Parts For General Electric

## IC9528 A100 8" Brake



This document utilizes an interactive table of contents to help you jump from one section to another. Click the button to return to the table of contents.

**RETURN TO  
TABLE OF CONTENTS**

### *BRAKES*

- FORM C103AA DC MAGNETIC BRAKE
- IC9528 A100 8" BRAKE
- IC9528 A101 10" BRAKE
- IC9528 A102 13" BRAKE
- IC9528 A103 16" BRAKE
- IC9528 A104 19" BRAKE
- IC9528 A105 23" BRAKE

### *INDEX*

# O.C.C. Replacement Parts For General Electric

## IC9528 A100 8" Brake

This document utilizes an interactive table of contents to help you jump from one section to another. Click the button to return to the table of contents.

**RETURN TO  
TABLE OF CONTENTS**

### BRAKES

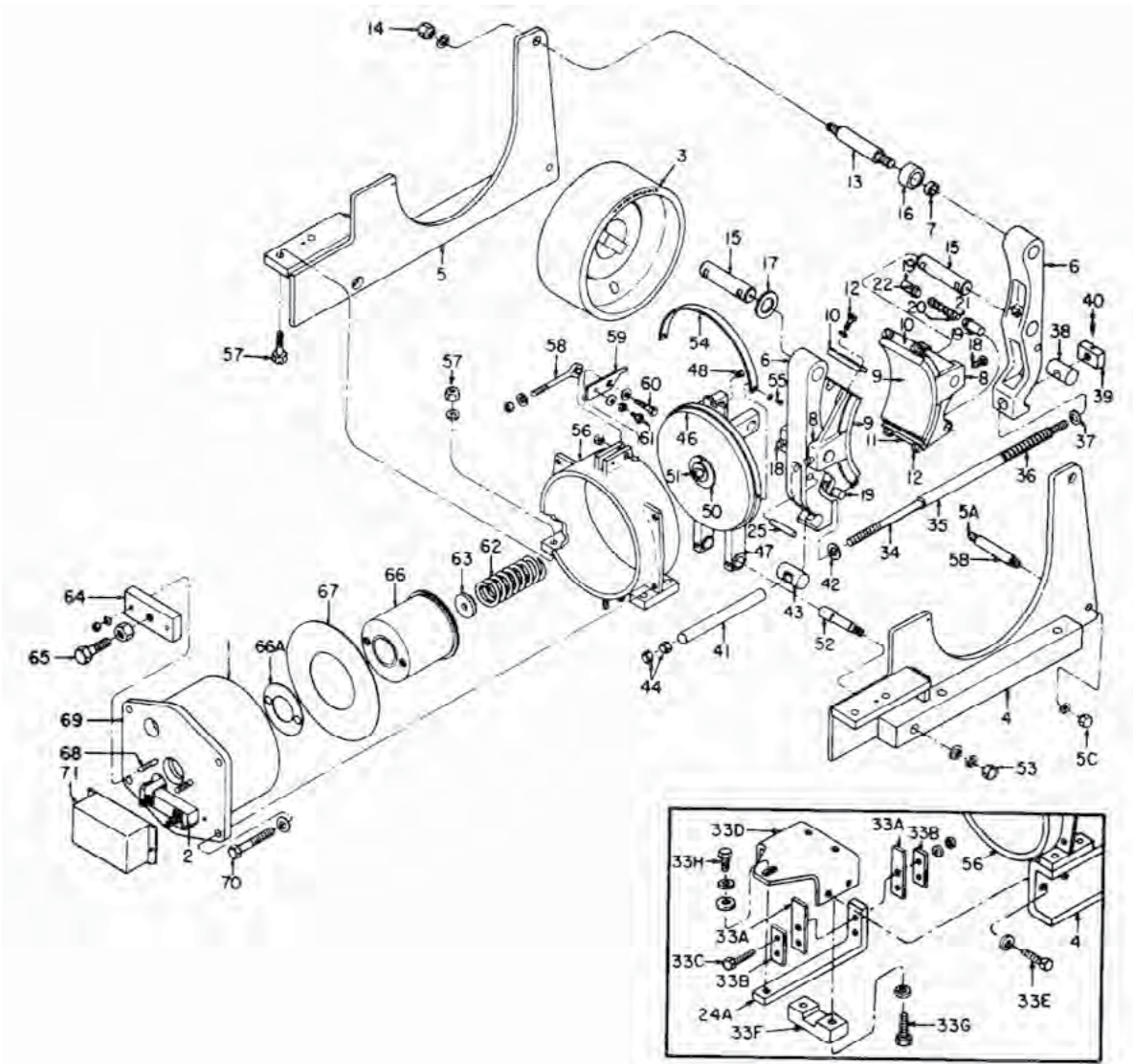
- FORM C103AA DC MAGNETIC BRAKE
- IC9528 A100 8" BRAKE
- IC9528 A101 10" BRAKE
- IC9528 A102 13" BRAKE
- IC9528 A103 16" BRAKE
- IC9528 A104 19" BRAKE
- IC9528 A105 23" BRAKE

### INDEX

| ITM | OEM Part    | DESCRIPTION                   | ITM | OEM Part   | DESCRIPTION                   |
|-----|-------------|-------------------------------|-----|------------|-------------------------------|
| 4   | 171C229P1   | Frame, Front                  | 56  | 171C235G3  | Magnet Frame                  |
| 4   | 171C229P3   | Frame, Front                  | 57  | 577A190P1  | Screw                         |
| 5   | 171C229P4   | Frame, Rear                   | 59  | 282A772P1  | Armature Gap Indicator        |
| 6   | 171C266G19  | Yoke w/Bushings               | 60  | N22P25028B | Hinge Pin                     |
| 7   | 573A608P1   | Bushing for Yoke              | 61  | N530P806B  | Drive Screw                   |
| 8   | 171C213P1   | Brake Shoe                    | 62  | 5144475    | Torque Spring                 |
| 9   | 151A7931P1  | Lining and Supporting Plate   | 63  | 282A886P1  | Spring Seat for Torque Spring |
| 9   | 151A7931P1  | Lining and Supporting Plate   | 64  | 282A750P1  | Retainer for Torque Spring    |
| 10  | 282A875P7   | Clamp for Lining, Upper       | 65  | 282A768P1  | Adj. Screw for Torque Spring  |
| 11  | 282A875P1   | Clamp for Lining, Lower       | 66  | 282A856P1  | Magnet Core                   |
| 12  | N22P23012B  | Screw Fastening Stop Bracket  | 66A | 282A767P1  | Shim between Magnet Core      |
| 13  | 972C161G1   | Bearing Pin                   | 67  | 282A859P1  | Retainer for Magnet Coil      |
| 14  | 245P29B6    | Nut for Bearing Pin           | 68  | 282A861P2  | Stud for Magnet Core          |
| 15  | 972C161G7   | Bearing Pin                   | 69  | 282A883P1  | Back Plate                    |
| 16  | 282A763P1   | Seal                          | 70  | N22P29052B | Screw                         |
| 17  | 282A770P6   | Thrust Washer                 |     |            |                               |
| 18  | 577A124P1   | Set Screw for Armature        |     |            |                               |
| 19  | 282A862P1   | Friction Plug for Brake Shoe  |     |            |                               |
| 20  | 5144476     | Spring for Friction Plug      |     |            |                               |
| 21  | 282A869P4   | Guide Pin for Spring          |     |            |                               |
| 22  | N908P219B   | Retaining Ring/Friction Plug  |     |            |                               |
| 24A | 138A1173P1  | Pivot Arm for Yoke            |     |            |                               |
| 25  | 282A762P1   | Pivot Pin for Yoke            |     |            |                               |
| 33A | 138A1174P1  | Spring Strip for Pivot Arm    |     |            |                               |
| 33B | 138A1178P1  | Backing Strip                 |     |            |                               |
| 33C | N22P21016B  | Screw Fastening Spring Strip  |     |            |                               |
| 33D | 104B9965P1  | Support for Pivot Arm         |     |            |                               |
| 33E | N22P23010B  | Screw Fastening Support       |     |            |                               |
| 33F | 138A1175P1  | Guide for Pivot Arm           |     |            |                               |
| 33G | N22P21016B  | Screw Fastening Spring Strip  |     |            |                               |
| 33H | N25P23016   | Adjusting Screw for Pivot Arm |     |            |                               |
| 34  | 104B9964P1  | Tie Rod                       |     |            |                               |
| 35  | 577A142P17  | Spacer for Tie Rod            |     |            |                               |
| 36  | 5144474     | Compression Spring            |     |            |                               |
| 37  | N402P45B    | Spring Seat for Comp. Spring  |     |            |                               |
| 38  | 285A839P1   | Rocker Pin for Tie Rod        |     |            |                               |
| 39  | 233B565P1   | Nut for Tie Rod               |     |            |                               |
| 40  | 282A796P1   | Stop Bracket for Tie Rod      |     |            |                               |
| 40  | N70P1606B   | Set Screw for Tie Rod Nut     |     |            |                               |
| 40  | N22P23010B  | Screw Fastening Stop Bracket  |     |            |                               |
| 43  | 138A1176P1  | Rocker Pin                    |     |            |                               |
| 46  | 229B796G1   | Armature with Bushings        |     |            |                               |
| 47  | 282A871P1   | Bushing For Armature          |     |            |                               |
| 48  | 577A124P1   | Set Screw for Armature        |     |            |                               |
| 50  | 282A888P1   | Spring Seat                   |     |            |                               |
| 52  | 972C161G13  | Bearing Pin for Armature      |     |            |                               |
| 53  | N245P29B    | Nut for Bearing Pin           |     |            |                               |
| 54  | 282A775P1   | Dust Cap                      |     |            |                               |
| 55  | N57P210008B | Screw                         |     |            |                               |



IC9528 A101 10" Brake



This document utilizes an interactive table of contents to help you jump from one section to another. Click the button to return to the table of contents.

**RETURN TO  
TABLE OF CONTENTS**

**BRAKES**

- FORM C103AA DC MAGNETIC BRAKE
- IC9528 A100 8" BRAKE
- IC9528 A101 10" BRAKE
- IC9528 A102 13" BRAKE
- IC9528 A103 16" BRAKE
- IC9528 A104 19" BRAKE
- IC9528 A105 23" BRAKE

**INDEX**

# O.C.C. Replacement Parts For General Electric

## IC9528 A101 10" Brake

This document utilizes an interactive table of contents to help you jump from one section to another. Click the button to return to the table of contents.

**RETURN TO  
TABLE OF CONTENTS**

### BRAKES

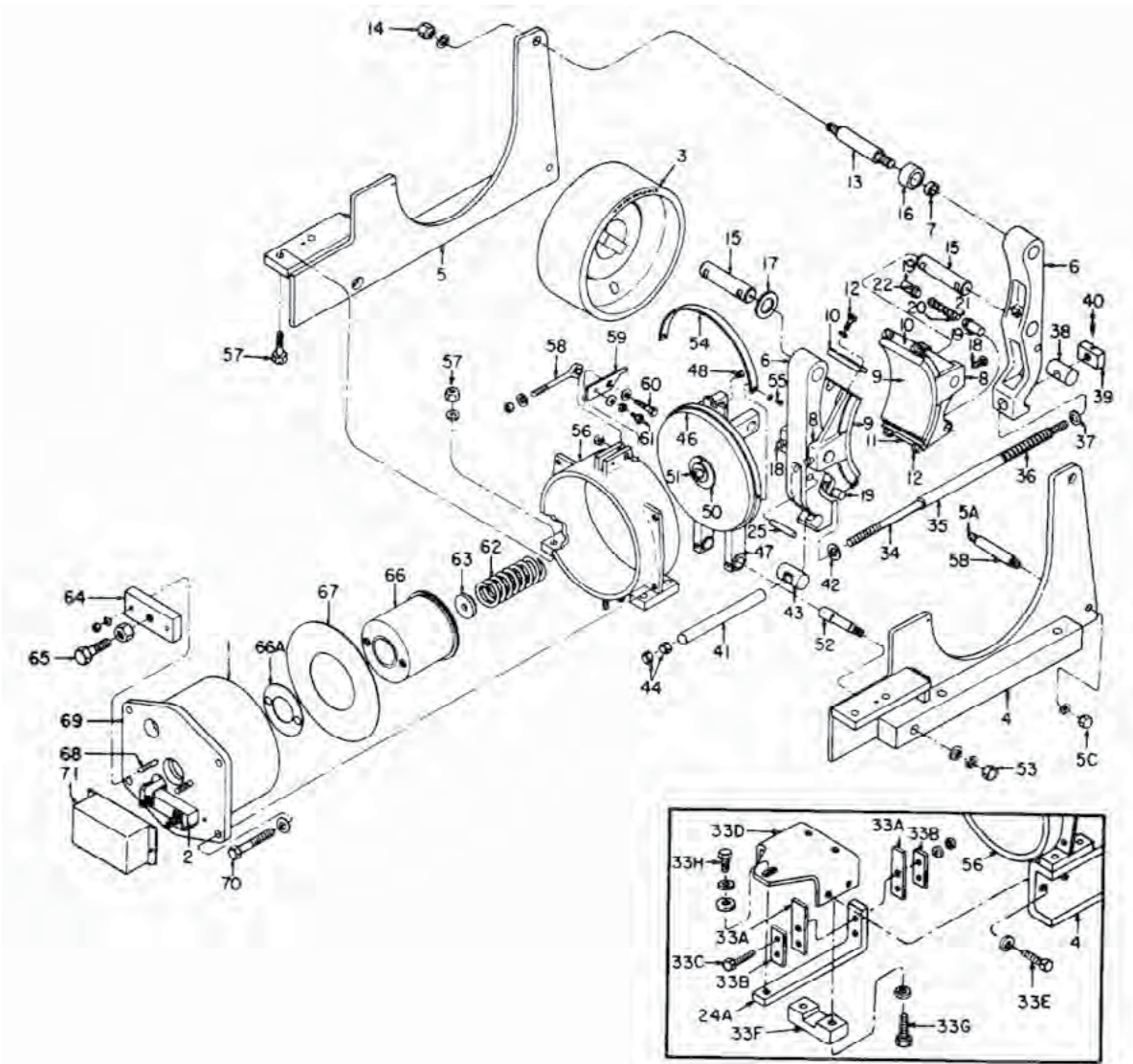
- FORM C103AA DC MAGNETIC BRAKE
- IC9528 A100 8" BRAKE
- IC9528 A101 10" BRAKE
- IC9528 A102 13" BRAKE
- IC9528 A103 16" BRAKE
- IC9528 A104 19" BRAKE
- IC9528 A105 23" BRAKE

### INDEX

| ITM     | OEM Part         | DESCRIPTION                   | ITM     | OEM Part         | DESCRIPTION                   |
|---------|------------------|-------------------------------|---------|------------------|-------------------------------|
| 01..... | 1D177G110.....   | Coil, 25-33 HP                | 42..... | N402AP17B6 ..... | Spring Seat                   |
| 01..... | 1D177G112.....   | Coil                          | 43..... | 138A1176P2.....  | Rocker Pin                    |
| 01..... | F1D177G1A.....   | Coil                          | 43..... | 138A1191P2.....  | Stainless Steel Rocker Pin    |
| 01..... | 1D177G107.....   | Series Coil, 15-19 HP         | 44..... | N227P32 .....    | Tie Rod Nut                   |
| 01..... | 1D177G111.....   | Coil, 30-39 HP                | 46..... | 229B796G2 .....  | Armature with Bushings        |
| 01..... | 1D177G100.....   | Coil                          | 47..... | 573A608P12.....  | Bushing For Armature          |
| 01..... | 1D177G101.....   | Coil                          | 48..... | 577A124P1 .....  | Set Screw for Brake Shoe      |
| 01..... | 1D177G102.....   | Coil                          | 50..... | 282A774P1 .....  | Spring Seat                   |
| 01..... | 1D177G103.....   | Coil                          | 51..... | N21P25016 .....  | Screw                         |
| 01..... | 1D177G104.....   | Coil                          | 52..... | 323A1972P2.....  | Bearing Pin                   |
| 01..... | 1D177G106.....   | Coil                          | 53..... | N200P29 .....    | Nut For Bearing Pin           |
| 01..... | 1D177G108.....   | Coil                          | 54..... | 282A775P2.....   | Dust Cap                      |
| 01..... | 1D177G109.....   | Coil                          | 55..... | N57P21008B.....  | Screw                         |
| 01..... | 1D177G105.....   | Series Coil                   | 56..... | 111C9013P1.....  | Magnet Frame                  |
| 04..... | 171C262G21 ..... | Frame, Front                  | 57..... | 577A190P2.....   | Screw                         |
| 05..... | 171C262G22 ..... | Frame Rear                    | 58..... | 282A867P1 .....  | Manual-Release Rod            |
| 05A..   | N22P29088B.....  | Tie Bolt                      | 59..... | 282A772P1 .....  | Armature Gap Indicator        |
| 05B..   | 229B790P2 .....  | Spacer for Tie Stud           | 60..... | N22P25028B6..... | Hinge Screw                   |
| 06..... | 171C266G20 ..... | Yoke With Bushings            | 61..... | N530P806B6.....  | Drive Screw                   |
| 07..... | 573A608P2 .....  | Bushing for Yoke              | 62..... | 5144472P1 .....  | Torque Spring                 |
| 08..... | 171C215P1.....   | Brake Shoe                    | 63..... | 282A886P2.....   | Spring Seat for Torque Spring |
| 09..... | 305A4800P2.....  | Bonded Lining & Support Plate | 64..... | 282A751P1 .....  | Retainer for Torque Spring    |
| 10..... | 282A875P8 .....  | Clamp for Lining, Upper       | 65..... | 282A768P2.....   | Adj. Screw for Torque Spring  |
| 11..... | 282A875P2 .....  | Clamp for Lining, Lower       | 66..... | 282A873P1 .....  | Magnet Core                   |
| 12..... | N93P23012 .....  | Screw                         | 66A..   | 282A767P2.....   | Shim between Magnet Core      |
| 13..... | 287A121P2.....   | Bearing Pin For RH Yoke, SS   | 67..... | 282A859P2.....   | Retainer for Magnet Coil      |
| 14..... | N200P29 .....    | Nut For Bearing Pin           | 68..... | 282A861P9.....   | Stud for Magnet Core          |
| 15..... | 287A122P2.....   | Bearing Pin For LH Yoke       | 69..... | 229B778P1 .....  | Back Plate                    |
| 16..... | 282A763P1 .....  | Seal                          | 70..... | N93P29056 .....  | Screw                         |
| 17..... | 282A770P7 .....  | Thrust Washer                 | 71..... | 218A6420G1 ..... | Conduit Cover                 |
| 18..... | 577A124P1 .....  | Set Screw for Brake Shoe      |         |                  |                               |
| 19..... | 282A862P2 .....  | Friction Plug for Brake Shoe  |         |                  |                               |
| 20..... | 2418892P1 .....  | Spring For Friction Plug      |         |                  |                               |
| 21..... | 282A869P12.....  | Guide Pin for Spring          |         |                  |                               |
| 22..... | N908P221B.....   | Retaining Ring/Friction Plug  |         |                  |                               |
| 24A..   | 138A1173P2.....  | Pivot Arm for Yoke            |         |                  |                               |
| 25..... | 287A120P2.....   | Pivot Pin For Yoke            |         |                  |                               |
| 33A..   | 138A1174P2.....  | Spring Strip for Pivot Arm    |         |                  |                               |
| 33B..   | 138A1178P2.....  | Backing Strip                 |         |                  |                               |
| 33C..   | N22P23020B6..... | Screw Fastening Spring Strip  |         |                  |                               |
| 33D..   | 104B9965P2.....  | Support for Pivot Arm         |         |                  |                               |
| 33E..   | N25P23012 .....  | Screw                         |         |                  |                               |
| 33F..   | 138A1175P2.....  | Guide for Pivot Arm           |         |                  |                               |
| 33G..   | N21P23020 .....  | Screw                         |         |                  |                               |
| 33H..   | N21P25020 .....  | Adjusting Screw               |         |                  |                               |
| 34..... | 104B9964P2.....  | Tie Rod                       |         |                  |                               |
| 35..... | 577A142P18.....  | Spacer for Tie Rod            |         |                  |                               |
| 36..... | 5144474P1 .....  | Compression Spring            |         |                  |                               |
| 37..... | N402AP17B6 ..... | Spring Seat                   |         |                  |                               |
| 38..... | 285A839P2 .....  | Rocker Pin for Tie Rod        |         |                  |                               |
| 38..... | 287A125P2.....   | Stainless Steel Rocker Pin    |         |                  |                               |
| 39..... | 233B565P2.....   | Nut for Tie Rod               |         |                  |                               |
| 40..... | N70P1601B6.....  | Set Screw                     |         |                  |                               |
| 41..... | 577A129P8.....   | Tube                          |         |                  |                               |



IC9528 A102 13" Brake



This document utilizes an interactive table of contents to help you jump from one section to another. Click the button to return to the table of contents.

**RETURN TO  
TABLE OF CONTENTS**

**BRAKES**

- FORM C103AA DC MAGNETIC BRAKE
- IC9528 A100 8" BRAKE
- IC9528 A101 10" BRAKE
- IC9528 A102 13" BRAKE
- IC9528 A103 16" BRAKE
- IC9528 A104 19" BRAKE
- IC9528 A105 23" BRAKE

**INDEX**

# O.C.C.

## Replacement Parts For

# General Electric

### IC9528 A102 13” Brake

This document utilizes an interactive table of contents to help you jump from one section to another. Click the button to return to the table of contents.

**RETURN TO  
TABLE OF CONTENTS**

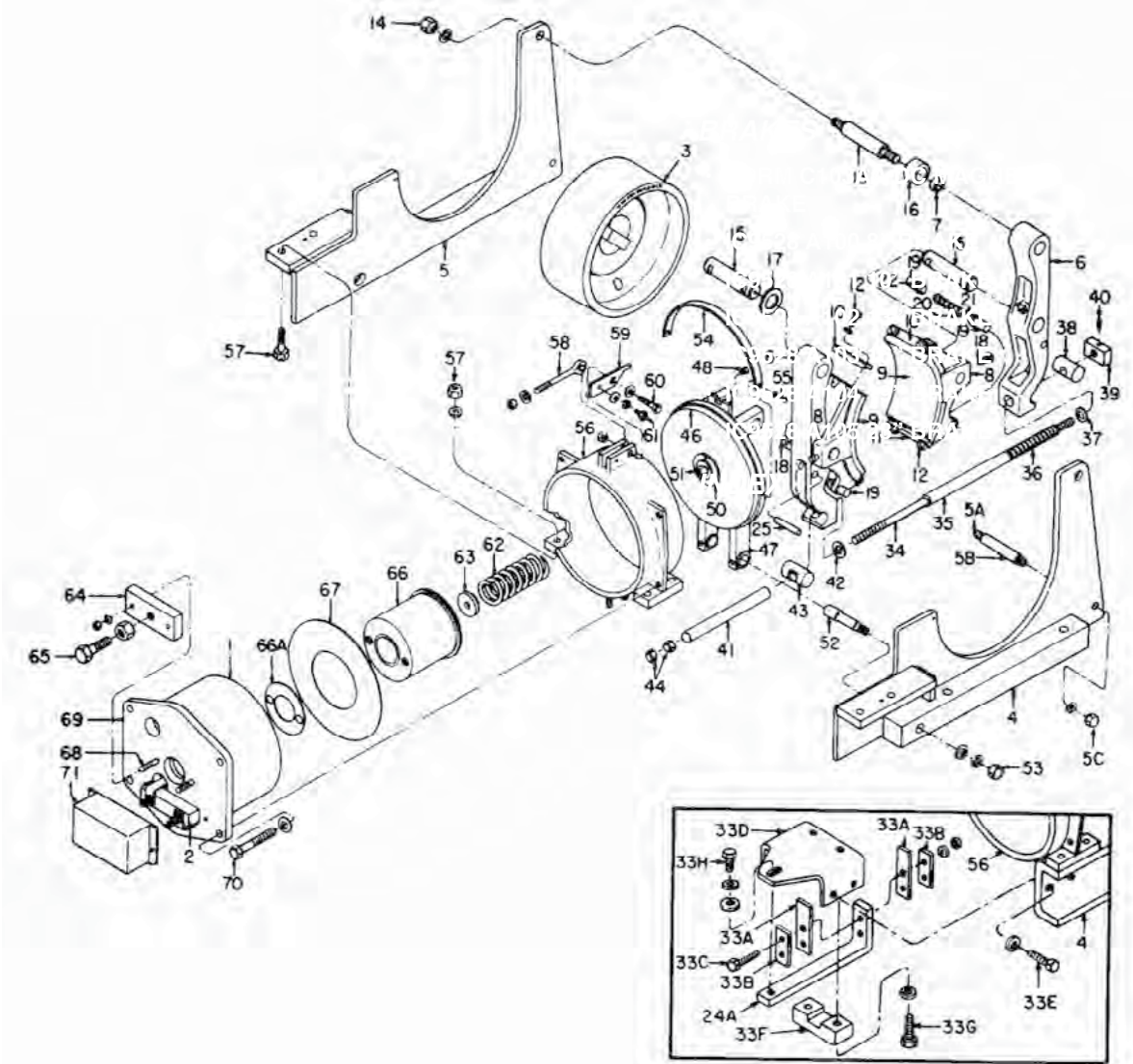
#### BRAKES

- FORM C103AA DC MAGNETIC BRAKE
- IC9528 A100 8” BRAKE
- IC9528 A101 10” BRAKE
- IC9528 A102 13” BRAKE
- IC9528 A103 16” BRAKE
- IC9528 A104 19” BRAKE
- IC9528 A105 23” BRAKE

#### INDEX

| ITM     | OEM Part         | DESCRIPTION                    | ITM     | OEM Part         | DESCRIPTION                   |
|---------|------------------|--------------------------------|---------|------------------|-------------------------------|
| 01..... | 1D178G104.....   | Coil                           | 40..... | N72P2108B6.....  | Set Screw for Tie Rod Nut     |
| 01..... | 1D178G114.....   | Coil                           | 41..... | 577A129P9.....   | Tube                          |
| 01..... | 1D178G107.....   | Coil                           | 42..... | N402AP48B6.....  | Spring Seat                   |
| 01..... | 1D178G1A.....    | Shunt Coil                     | 43..... | 138A1191P3.....  | Stainless Steel Rocker Pin    |
| 01..... | 1D178G100.....   | Coil                           | 44..... | N227P34.....     | Tie Rod Nut                   |
| 01..... | 1D178G101.....   | Coil                           | 46..... | 229B796G3.....   | Armature with Bushings        |
| 01..... | 1D178G105.....   | Coil                           | 47..... | 573A608P13.....  | Bushing for Armature          |
| 01..... | 1D178G103.....   | Coil                           | 48..... | 577A124P2.....   | Set Screw for Armature        |
| 01..... | 1D178G106.....   | Coil                           | 50..... | 282A892P1.....   | Spring Seat                   |
| 01..... | 1D178G108.....   | Coil                           | 51..... | N21P29020.....   | Adjusting Screw for Pivot Arm |
| 01..... | 1D178G109.....   | Coil                           | 52..... | N910P98C6.....   | Armature Pin E Clip           |
| 01..... | 1D178G110.....   | Coil                           | 52..... | 323A1972P3.....  | Bearing Pin                   |
| 01..... | 1D178G111.....   | Coil                           | 53..... | N200P35.....     | Nut For Bearing Pin           |
| 01..... | 1D178G112.....   | Coil                           | 54..... | 282A775P3.....   | Dust Cap                      |
| 01..... | 1D178G113.....   | Coil                           | 55..... | N57P21008B.....  | Screw                         |
| 01..... | 1D178G102.....   | Coil                           | 56..... | 111C9015P1.....  | Magnet Frame                  |
| 04..... | 171C232G21.....  | Frame Front                    | 57..... | 577A190P3.....   | Screw                         |
| 05..... | 171C232G22.....  | Frame Rear                     | 58..... | 282A867P2.....   | Manual-Release Rod            |
| 05A..   | 282A796P2.....   | Stop Bracket for Tie Rod       | 59..... | 282A885P1.....   | Armature Gap Indicator        |
| 05c..   | N21P25016.....   | Screw                          | 60..... | N22P29040B6..... | Hinge Screw                   |
| 06..... | 171C266G21.....  | Yoke With Bushings             | 61..... | N530P1008B6..... | Drive Screw                   |
| 07..... | 573A608P3.....   | Bushing for Yoke               | 62..... | 5144470P1.....   | Torque Spring                 |
| 08..... | 171C217P1.....   | Brake Shoe                     | 63..... | 282A886P3.....   | Spring Seat for Torque Spring |
| 09..... | 305A4800P3.....  | Lining And Support Plate Assy. | 64..... | 282A752P1.....   | Retainer for Torque Spring    |
| 10..... | 282A875P9.....   | Clamp for Lining, Upper        | 65..... | 282A768P3.....   | Adj. Screw for Torque Spring  |
| 11..... | 282A875P3.....   | Clamp for Lining, Lower        | 66..... | 194A7625P1.....  | Magnet Core                   |
| 12..... | N93P29016.....   | Screw                          | 66A..   | 282A852P1.....   | Shim between Magnet Core      |
| 13..... | 287A121P3.....   | Bearing Pin For RH Yoke        | 67..... | 282A859P3.....   | Retainer for Magnet Coil      |
| 14..... | N200P35.....     | Nut For Bearing Pin            | 68..... | 282A861P3.....   | Stud for Magnet Core          |
| 15..... | 287A122P3.....   | Bearing Pin For LH Yoke        | 69..... | 229B759P1.....   | Back Plate                    |
| 16..... | 282A763P2.....   | Seal                           | 70..... | N24P33064.....   | Screw                         |
| 17..... | 282A770P8.....   | Thrust Washer                  | 71..... | 218A6420G2.....  | Conduit Cover                 |
| 18..... | 577A124P2.....   | Set Screw for Armature         |         |                  |                               |
| 19..... | 282A862P3.....   | Friction Plug for Brake Shoe   |         |                  |                               |
| 20..... | 2418884P1.....   | Spring For Friction Plug       |         |                  |                               |
| 21..... | 282A869P1.....   | Guide Pin for Spring           |         |                  |                               |
| 22..... | N908P227B.....   | Retain Ring for Friction Plug  |         |                  |                               |
| 24A..   | 138A1173P3.....  | Pivot Arm for Yoke             |         |                  |                               |
| 25..... | 287A120P3.....   | Pivot Pin For Yoke             |         |                  |                               |
| 33A..   | 138A1174P3.....  | Spring Strip for Pivot Arm     |         |                  |                               |
| 33B..   | 138A1178P3.....  | Backing Strip                  |         |                  |                               |
| 33C..   | N22P23024B6..... | Screw Fastening Spring Strip   |         |                  |                               |
| 33D..   | 104B9965P3.....  | Support for Pivot Arm          |         |                  |                               |
| 33e..   | N21P25016.....   | Screw                          |         |                  |                               |
| 33F..   | 138A1175P3.....  | Guide for Pivot Arm            |         |                  |                               |
| 33g..   | N21P29020.....   | Adjusting Screw for Pivot Arm  |         |                  |                               |
| 33h..   | N21P29020.....   | Adjusting Screw for Pivot Arm  |         |                  |                               |
| 34..... | 104B9964P3.....  | Tie Rod                        |         |                  |                               |
| 35..... | 577A142P19.....  | Spacer for Tie Rod             |         |                  |                               |
| 36..... | 5144482P1.....   | Compression Spring             |         |                  |                               |
| 37..... | N402AP48B6.....  | Spring Seat                    |         |                  |                               |
| 38..... | 285A839P3.....   | Rocker Pin for Tie Rod         |         |                  |                               |
| 38..... | 138A1176P3.....  | Rocker Pin                     |         |                  |                               |
| 38..... | 287A125P3.....   | Stainless Steel Rocker Pin     |         |                  |                               |
| 39..... | 233B565P3.....   | Nut for Tie Rod                |         |                  |                               |

IC9528 A103 16" Brake



This document utilizes an interactive table of contents to help you jump from one section to another. Click the button to return to the table of contents.

**RETURN TO  
TABLE OF CONTENTS**

**BRAKES**

- FORM C103AA DC MAGNETIC BRAKE
- IC9528 A100 8" BRAKE
- IC9528 A101 10" BRAKE
- IC9528 A102 13" BRAKE
- IC9528 A103 16" BRAKE
- IC9528 A104 19" BRAKE
- IC9528 A105 23" BRAKE

**INDEX**

IC9528 A103 16” Brake

This document utilizes an interactive table of contents to help you jump from one section to another. Click the button to return to the table of contents.

**RETURN TO  
TABLE OF CONTENTS**

**BRAKES**

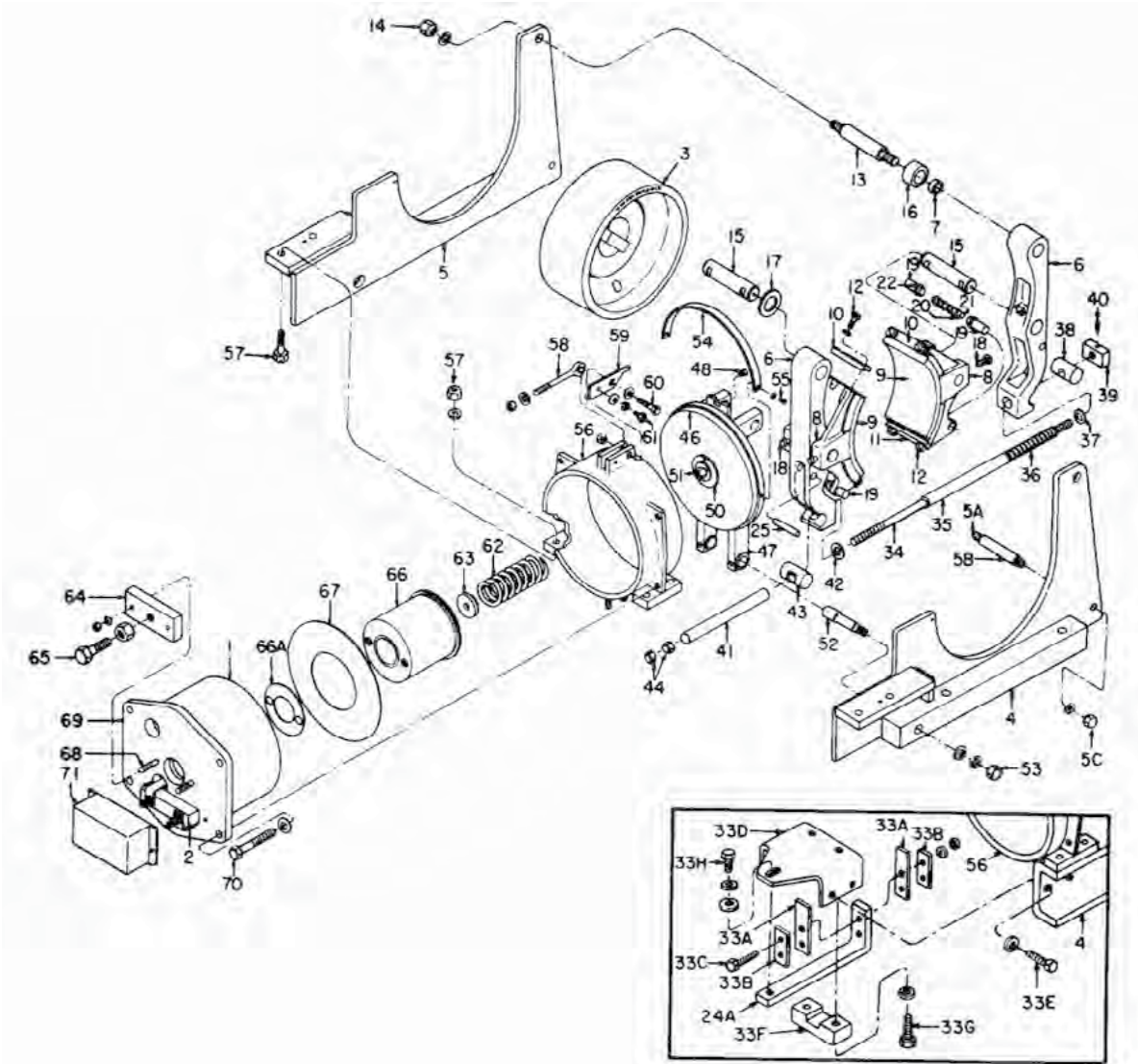
- FORM C103AA DC MAGNETIC BRAKE
- IC9528 A100 8” BRAKE
- IC9528 A101 10” BRAKE
- IC9528 A102 13” BRAKE
- IC9528 A103 16” BRAKE
- IC9528 A104 19” BRAKE
- IC9528 A105 23” BRAKE

**INDEX**

| ITM     | OEM Part         | DESCRIPTION                    | ITM     | OEM Part         | DESCRIPTION                   |
|---------|------------------|--------------------------------|---------|------------------|-------------------------------|
| 01..... | 1D179G1.....     | Shunt Coil                     | 43..... | 138A1176P4.....  | Rocker Pin                    |
| 01..... | 1D179G106.....   | Coil                           | 43..... | 138A1191P4.....  | Stainless Steel Rocker Pin    |
| 01..... | 1D179G110.....   | Coil                           | 44..... | N227P82.....     | Tie Rod Nut                   |
| 01..... | 1D179G1A.....    | Coil                           | 46..... | 229B796G4.....   | Armature with Bushings        |
| 01..... | 1D179G103.....   | Coil                           | 47..... | 573A608P11.....  | Bushing for Armature          |
| 01..... | 1D179G100.....   | Coil                           | 48..... | 577A124P3.....   | Set Screw for Brake Shoe      |
| 01..... | 1D179G107.....   | Coil                           | 50..... | 282A765P1.....   | Spring Seat                   |
| 01..... | 1D179G108.....   | Coil                           | 51..... | N21P29020.....   | Adjusting Screw for Pivot Arm |
| 01..... | 1D179G109.....   | Coil                           | 52..... | 323A1972P4.....  | Bearing Pin                   |
| 01..... | 1D179G101.....   | Coil                           | 52..... | N910P137C6.....  | E Ring                        |
| 01..... | 1D179G105.....   | Coil                           | 53..... | N200P39.....     | Nut For Bearing Pin           |
| 01..... | 1D179G104.....   | Coil                           | 54..... | 282A775P4.....   | Dust Cap                      |
| 01..... | 1D179G102.....   | Coil                           | 55..... | N57P21008B.....  | Screw                         |
| 02..... | 229B781G10.....  | Terminal Board                 | 56..... | 111C9017P1.....  | Magnet Frame                  |
| 04..... | 171C247G17.....  | Frame Front                    | 57..... | 577A190P4.....   | Screw                         |
| 05..... | 171C247G18.....  | Frame Rear                     | 58..... | 282A867P2.....   | Manual-Release Rod            |
| 05A..   | 282A872P4.....   | Tie Stud                       | 59..... | 282A766P1.....   | Armature Gap Indicator        |
| 05B..   | 229B790P10.....  | Spacer                         | 60..... | N22P29040B6..... | Hinge Screw                   |
| 06..... | 171C266G22.....  | Yoke With Bushings             | 61..... | N530P1008B6..... | Drive Screw                   |
| 07..... | 573A608P5.....   | Bushing for Yoke               | 62..... | 5144467P1.....   | Torque Spring                 |
| 08..... | 171C219P1.....   | Brake Shoe                     | 63..... | 282A886P4.....   | Spring Seat                   |
| 09..... | 305A4800P4.....  | Lining And Support Plate Assy. | 64..... | 282A753P1.....   | Retainer                      |
| 10..... | 282A875P10.....  | Clamp for Lining               | 65..... | 282A768P4.....   | Adjusting Screw               |
| 11..... | 282A875P4.....   | Clamp for Lining               | 66..... | 978B347P2.....   | Magnet Core                   |
| 12..... | N93P29016.....   | Screw                          | 66A..   | 282A852P2.....   | Shim                          |
| 13..... | 287A121P4.....   | Bearing Pin For RH Yoke        | 67..... | 282A859P4.....   | Retainer for Magnet Coil      |
| 14..... | N200P39.....     | Nut For Bearing Pin            | 68..... | 282A861P8.....   | Stud for Magnet Core          |
| 15..... | 287A122P4.....   | Bearing Pin For LH Yoke        | 69..... | 394B561P1.....   | Back Plate, Outer             |
| 16..... | 282A763P3.....   | Seal                           | 69..... | 394B588P1.....   | Back Plate, Inner             |
| 17..... | 282A770P9.....   | Thrust Washer                  | 70..... | N93P35076.....   | Screw                         |
| 18..... | 577A124P3.....   | Set Screw for Brake Shoe       | 71..... | 218A6420G3.....  | Conduit Cover                 |
| 19..... | 282A862P4.....   | Friction Plug for Brake Shoe   | *.....  | 139B8693G1.....  | Torque Gauge Assy.            |
| 21..... | 282A860P14.....  | Guide Pin For Spring           |         |                  |                               |
| 22..... | N908P227B.....   | Retain Ring for Friction Plug  |         |                  |                               |
| 24A..   | 138A1173P4.....  | Pivot Arm for Yoke             |         |                  |                               |
| 25..... | 287A120P4.....   | Pivot Pin For Yoke             |         |                  |                               |
| 33A..   | 138A1174P4.....  | Spring Strip for Pivot Arm     |         |                  |                               |
| 33B..   | 138A1178P4.....  | Backing Strip                  |         |                  |                               |
| 33C..   | N22P25032B6..... | Screw Fastening Spring Strip   |         |                  |                               |
| 33D..   | 104B9965P4.....  | Support for Pivot Arm          |         |                  |                               |
| 33e..   | N21P29020.....   | Adjusting Screw for Pivot Arm  |         |                  |                               |
| 33F..   | 138A1175P4.....  | Guide for Pivot Arm            |         |                  |                               |
| 33g..   | N21P29024.....   | Adj. Screw for Pivot Arm       |         |                  |                               |
| 33h..   | N21P29024.....   | Adj. Screw for Pivot Arm       |         |                  |                               |
| 34..... | 104B9964P4.....  | Tie Rod                        |         |                  |                               |
| 35..... | 577A142P20.....  | Spacer for Tie Rod             |         |                  |                               |
| 36..... | 5144483P1.....   | Compression Spring             |         |                  |                               |
| 37..... | N402AP50B6.....  | Spring Seat                    |         |                  |                               |
| 38..... | 285A839P4.....   | Rocker Pin                     |         |                  |                               |
| 39..... | 233B565P4.....   | Nut for Tie Rod                |         |                  |                               |
| 40..... | N70P2110B6.....  | Set Screw                      |         |                  |                               |
| 41..... | 577A129P28.....  | Tube                           |         |                  |                               |
| 42..... | 282A770P13.....  | Washer                         |         |                  |                               |
| 43..... | 287A125P4.....   | Stainless Steel Rocker Pin     |         |                  |                               |



IC9528 A104 19" Brake



This document utilizes an interactive table of contents to help you jump from one section to another. Click the button to return to the table of contents.

**RETURN TO  
TABLE OF CONTENTS**

**BRAKES**

- FORM C103AA DC MAGNETIC BRAKE
- IC9528 A100 8" BRAKE
- IC9528 A101 10" BRAKE
- IC9528 A102 13" BRAKE
- IC9528 A103 16" BRAKE
- IC9528 A104 19" BRAKE
- IC9528 A105 23" BRAKE

**INDEX**



# O.C.C. Replacement Parts For General Electric

## IC9528 A104 19" Brake

This document utilizes an interactive table of contents to help you jump from one section to another. Click the button to return to the table of contents.

**RETURN TO  
TABLE OF CONTENTS**

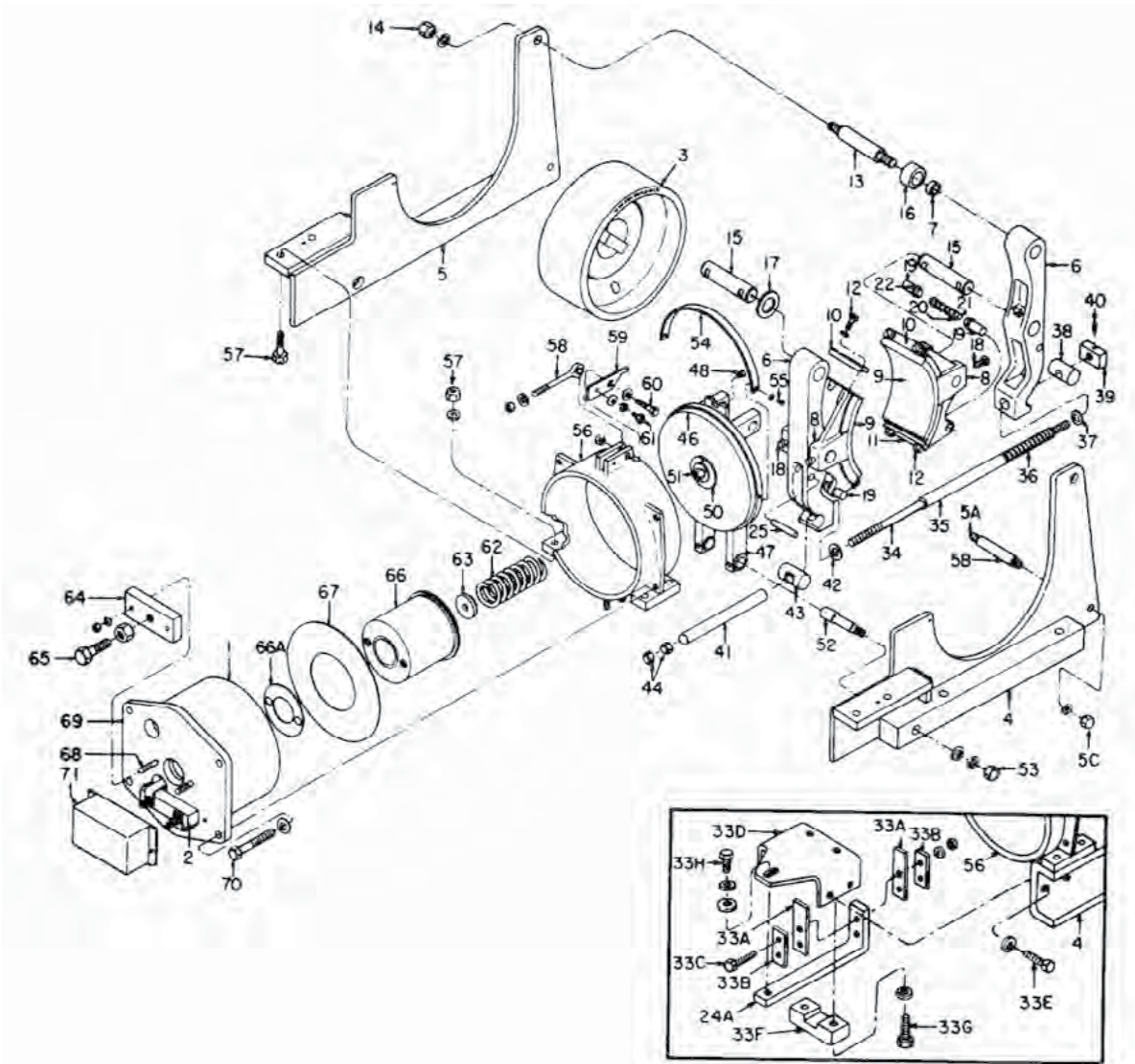
### BRAKES

- FORM C103AA DC MAGNETIC BRAKE
- IC9528 A100 8" BRAKE
- IC9528 A101 10" BRAKE
- IC9528 A102 13" BRAKE
- IC9528 A103 16" BRAKE
- IC9528 A104 19" BRAKE
- IC9528 A105 23" BRAKE

### INDEX

| ITM     | OEM Part         | DESCRIPTION                   | ITM     | OEM Part         | DESCRIPTION                   |
|---------|------------------|-------------------------------|---------|------------------|-------------------------------|
| 01..... | 1D180G101.....   | Coil                          | 43..... | 138A1176P5.....  | Rocker Pin                    |
| 01..... | 1D180G112.....   | Coil                          | 44..... | N227P82.....     | Tie Rod Nut                   |
| 01..... | 1D180G103.....   | Coil                          | 46..... | 229B796G5.....   | Armature with Bushings        |
| 01..... | 1D180G001.....   | Shunt Coil                    | 47..... | 573A608P8.....   | Bushing for Armature          |
| 01..... | 1D180G101.....   | Coil, 75-100 HP               | 48..... | 577A124P4.....   | Set Screw for Armature        |
| 01..... | 1D180G104.....   | Coil                          | 50..... | 282A758P1.....   | Spring Seat                   |
| 01..... | 1D180G105.....   | Coil                          | 51..... | N21P29020.....   | Adjusting Screw for Pivot Arm |
| 01..... | 1D180G106.....   | Coil                          | 52..... | 576A106P1.....   | Bearing Pin                   |
| 01..... | 1D180G107.....   | Coil                          | 53..... | N206P45B.....    | Nut for Bearing Pin           |
| 01..... | 1D180G108.....   | Coil                          | 53..... | N200P45.....     | Nut For Bearing Pin           |
| 01..... | 1D180G109.....   | Coil                          | 54..... | 282A775P5.....   | Dust Cap                      |
| 01..... | 1D180G100.....   | Series Coil                   | 55..... | N57P21008B.....  | Screw                         |
| 04..... | 171C246G21.....  | Frame Front                   | 56..... | 111C9019P1.....  | Magnet Frame                  |
| 05..... | 171C246G22.....  | Frame Rear                    | 57..... | 577A190P12.....  | Screw                         |
| 05A..   | 282A872P5.....   | Tie Stud                      | 58..... | 282A867P3.....   | Manual-Release Rod            |
| 05B..   | 229B790P11.....  | Spacer For Tie Stud           | 59..... | 282A760P1.....   | Armature Gap Indicator        |
| 06..... | 171C266G23.....  | Yoke With Bushings            | 60..... | N22P39064B6..... | Hinge Screw                   |
| 07..... | 573A608P7.....   | Bushing for Yoke              | 61..... | N530P1008B6..... | Drive Screw                   |
| 08..... | 171C221P1.....   | Brake Shoe                    | 62..... | 5144480P1.....   | Torque Spring                 |
| 09..... | 305A4800P5.....  | Bonded Lining & Support Plate | 63..... | 282A886P5.....   | Spring Seat                   |
| 10..... | 282A875P11.....  | Clamp for Lining              | 64..... | 282A754P1.....   | Retainer                      |
| 11..... | 282A875P5.....   | Clamp for Lining              | 65..... | 282A768P5.....   | Adjusting Screw               |
| 12..... | N24P33020.....   | Screw                         | 66..... | 978B347P3.....   | Magnet Core                   |
| 13..... | 287A121P5.....   | Bearing Pin For RH Yoke       | 66A..   | 282A852P3.....   | Shim                          |
| 14..... | N200P45.....     | Nut For Bearing Pin           | 67..... | 138A2586P1.....  | Retainer for Magnet Coil      |
| 15..... | 287A122P5.....   | Bearing Pin For LH Yoke       | 68..... | 282A861P5.....   | Stud for Magnet Core          |
| 16..... | 282A763P4.....   | Seal                          | 69..... | 394B562P1.....   | Back Plate, Outer             |
| 17..... | 282A770P10.....  | Thrust Washer                 | 69..... | 394B589P1.....   | Back Plate, Inner             |
| 18..... | 577A124P4.....   | Set Screw for Brake Shoe      | 70..... | N93P39096.....   | Screw                         |
| 19..... | 282A862P5.....   | Friction Plug for Brake Shoe  | 71..... | 218A6420G3.....  | Conduit Cover                 |
| 20..... | 2418893P1.....   | Spring For Friction Plug      |         |                  |                               |
| 21..... | 282A869P11.....  | Guide Pin for Spring          |         |                  |                               |
| 22..... | N908P229B.....   | Retain Ring for Friction Plug |         |                  |                               |
| 24A..   | 138A1173P5.....  | Pivot Arm for Yoke            |         |                  |                               |
| 25..... | 287A120P5.....   | Pivot Pin For Yoke            |         |                  |                               |
| 33A..   | 138A1174P5.....  | Spring Strip for Pivot Arm    |         |                  |                               |
| 33B..   | 138A1178P5.....  | Backing Strip                 |         |                  |                               |
| 33C..   | N22P29036B6..... | Screw Fastening Spring Strip  |         |                  |                               |
| 33D..   | 104B9965P5.....  | Support for Pivot Arm         |         |                  |                               |
| 33e..   | N24P33020.....   | Screw                         |         |                  |                               |
| 33F..   | 138A1175P5.....  | Guide for Pivot Arm           |         |                  |                               |
| 33g..   | N21P33032.....   | Adj. Screw for Pivot Arm      |         |                  |                               |
| 33h..   | N21P33032.....   | Adj. Screw for Pivot Arm      |         |                  |                               |
| 34..... | 104B9964P5.....  | Tie Rod                       |         |                  |                               |
| 35..... | 577A142P21.....  | Spacer for Tie Rod            |         |                  |                               |
| 36..... | 5144484P1.....   | Compression Spring            |         |                  |                               |
| 37..... | N402AP50B6.....  | Spring Seat                   |         |                  |                               |
| 38..... | 285A839P5.....   | Rocker Pin                    |         |                  |                               |
| 39..... | 233B565P4.....   | Nut for Tie Rod               |         |                  |                               |
| 40..... | N70P2110B6.....  | Set Screw                     |         |                  |                               |
| 41..... | 577A129P28.....  | Tube                          |         |                  |                               |
| 42..... | N402AP50B6.....  | Spring Seat                   |         |                  |                               |
| 43..... | 287A125P5.....   | Stainless Steel Rocker Pin    |         |                  |                               |
| 43..... | 138A1191P5.....  | Stainless Steel Rocker Pin    |         |                  |                               |

IC9528 A105 23" Brake



This document utilizes an interactive table of contents to help you jump from one section to another. Click the button to return to the table of contents.

**RETURN TO  
TABLE OF CONTENTS**

**BRAKES**

- FORM C103AA DC MAGNETIC BRAKE
- IC9528 A100 8" BRAKE
- IC9528 A101 10" BRAKE
- IC9528 A102 13" BRAKE
- IC9528 A103 16" BRAKE
- IC9528 A104 19" BRAKE
- IC9528 A105 23" BRAKE

**INDEX**

# O.C.C. Replacement Parts For General Electric

## IC9528 A105 23" Brake

This document utilizes an interactive table of contents to help you jump from one section to another. Click the button to return to the table of contents.

**RETURN TO  
TABLE OF CONTENTS**

### BRAKES

- FORM C103AA DC MAGNETIC BRAKE
- IC9528 A100 8" BRAKE
- IC9528 A101 10" BRAKE
- IC9528 A102 13" BRAKE
- IC9528 A103 16" BRAKE
- IC9528 A104 19" BRAKE
- IC9528 A105 23" BRAKE

### INDEX

| ITM     | OEM Part         | DESCRIPTION                   | ITM     | OEM Part         | DESCRIPTION                |
|---------|------------------|-------------------------------|---------|------------------|----------------------------|
| 01..... | 1D181G100.....   | Coil                          | 40..... | N72P2310B6.....  | Set Screw                  |
| 01..... | 1D181G113.....   | Coil                          | 41..... | 577A129P12.....  | Tube                       |
| 01..... | 1D181G114.....   | Coil                          | 42..... | 285A820P1.....   | Spring Seat                |
| 01..... | 1D181G108.....   | Coil                          | 43..... | 287A125P6.....   | Stainless Steel Rocker Pin |
| 01..... | 1D181G001.....   | Coil                          | 43..... | 138A1191P6.....  | Stainless Steel Rocker Pin |
| 01..... | 1D181G111.....   | Coil                          | 43..... | 138A1176P6.....  | Rocker Pin                 |
| 01..... | 1D181G105.....   | Coil                          | 44..... | N227P43.....     | Tie Rod Nut                |
| 01..... | 1D181G101.....   | Coil                          | 46..... | 229B796G6.....   | Armature with Bushings     |
| 01..... | 1D181G102.....   | Coil                          | 47..... | 573A608P10.....  | Bushing for Armature       |
| 01..... | 1D181G103.....   | Coil                          | 48..... | 577A124P4.....   | Set Screw for Armature     |
| 01..... | 1D181G104.....   | Coil                          | 50..... | 282A879P1.....   | Spring Seat                |
| 01..... | 1D181G107.....   | Coil                          | 51..... | N21P29032.....   | Screw                      |
| 01..... | 1D181G109.....   | Coil                          | 52..... | 287A123P1.....   | Bearing Pin                |
| 01..... | 1D181G110.....   | Coil                          | 53..... | N206P45B.....    | Nut for Bearing Pin        |
| 01..... | 1D181G112.....   | Coil                          | 53..... | N200P45.....     | Nut For Bearing Pin        |
| 01..... | 1D181G106.....   | Coil                          | 54..... | 282A775P6.....   | Dust Cap                   |
| 04..... | 171C230G15.....  | Frame Front                   | 55..... | N57P21008B.....  | Screw                      |
| 05..... | 171C230G16.....  | Frame Rear                    | 56..... | 111C9021P1.....  | Magnet Frame               |
| 05A..   | 282A872P6.....   | Tie Stud                      | 57..... | 577A190P13.....  | Screw                      |
| 05B..   | 229B790P12.....  | Spacer For Tie Stud           | 58..... | 282A867P3.....   | Manual-Release Rod         |
| 06..... | 171C266G24.....  | Yoke With Bushings            | 59..... | 282A760P1.....   | Armature Gap Indicator     |
| 07..... | 573A608P9.....   | Bushing for Yoke              | 60..... | N22P39064B6..... | Hinge Screw                |
| 08..... | 171C223P1.....   | Brake Shoe                    | 61..... | N530P1008B6..... | Drive Screw                |
| 09..... | 305A4800P6.....  | Lining & Support Plate        | 62..... | 5144457P1.....   | Spring, Outer              |
| 10..... | 282A875P12.....  | Clamp for Lining              | 62..... | 5144458P1.....   | Torque Spring, Inner       |
| 11..... | 282A875P6.....   | Clamp for Lining              | 62..... | 514457P1.....    | Torque Spring, Outer       |
| 12..... | N93P33024.....   | Screw                         | 64..... | 282A755P1.....   | Retainer                   |
| 13..... | 287A121P6.....   | Bearing Pin For RH Yoke       | 65..... | 282A768P6.....   | Adjusting Screw            |
| 14..... | N200P45.....     | Nut For Bearing Pin           | 66..... | 978B347P4.....   | Magnet Core                |
| 15..... | 287A122P6.....   | Bearing Pin For LH Yoke       | 66A..   | 282A852P4.....   | Shim                       |
| 16..... | 282A763P5.....   | Seal                          | 67..... | 138A2586P2.....  | Retainer for Magnet Coil   |
| 17..... | 282A770P11.....  | Thrust Washer                 | 68..... | 282A861P5.....   | Stud for Magnet Core       |
| 18..... | 577A124P4.....   | Set Screw for Brake Shoe      | 69..... | 394B590P1.....   | Back Plate, Inner          |
| 19..... | 282A862P6.....   | Friction Plug for Brake Shoe  | 69..... | 394B563P1.....   | Back Plate, Outer          |
| 20..... | 5144464P1.....   | Spring For Friction Plug      | 70..... | N93P39096.....   | Screw                      |
| 20..... | 2418884P1.....   | Spring For Friction Plug      | 71..... | 218A6420G5.....  | Conduit Cover              |
| 21..... | 282A869P7.....   | Guide Pin for Spring          | *.....  | 282A888P1.....   | Spring Seat                |
| 22..... | N908P237B.....   | Retain Ring for Friction Plug |         |                  |                            |
| 24A..   | 138A1173P6.....  | Pivot Arm for Yoke            |         |                  |                            |
| 25..... | 287A120P6.....   | Pivot Pin For Yoke            |         |                  |                            |
| 33A..   | 138A1174P6.....  | Spring Strip for Pivot Arm    |         |                  |                            |
| 33B..   | 138A1178P6.....  | Backing Strip                 |         |                  |                            |
| 33C..   | N22P29036B6..... | Screw Fastening Spring Strip  |         |                  |                            |
| 33D..   | 104B9965P6.....  | Support for Pivot Arm         |         |                  |                            |
| 33E..   | N21P33024.....   | Screw                         |         |                  |                            |
| 33F..   | 138A1175P6.....  | Guide for Pivot Arm           |         |                  |                            |
| 33G..   | N21P33032.....   | Adj. Screw for Pivot Arm      |         |                  |                            |
| 33H..   | N21P325028.....  | Adjusting Screw               |         |                  |                            |
| 34..... | 104B9964P6.....  | Tie Rod                       |         |                  |                            |
| 35..... | 138A1177G1.....  | Spacer for Tie Rod            |         |                  |                            |
| 36..... | 5144473P1.....   | Compression Spring            |         |                  |                            |
| 37..... | 285A820P1.....   | Spring Seat                   |         |                  |                            |
| 38..... | 285A839P6.....   | Rocker Pin                    |         |                  |                            |
| 39..... | 233B565P5.....   | Nut for Tie Rod               |         |                  |                            |

This document utilizes an interactive table of contents to help you jump from one section to another. Click the button to return to the table of contents.

**RETURN TO  
TABLE OF CONTENTS**

**BRAKES**

- FORM C103AA DC MAGNETIC BRAKE
- IC9528 A100 8" BRAKE
- IC9528 A101 10" BRAKE
- IC9528 A102 13" BRAKE
- IC9528 A103 16" BRAKE
- IC9528 A104 19" BRAKE
- IC9528 A105 23" BRAKE

**INDEX**

| OEM NUM    | DESCRIPTION           | OEM NUM    | DESCRIPTION                  |
|------------|-----------------------|------------|------------------------------|
| 011031-000 | Coil                  | 11191      | Contact                      |
| 104B9964P1 | Tie Rod               | 11192      | Contact                      |
| 104B9964P2 | Tie Rod               | 11193      | Contact                      |
| 104B9964P3 | Tie Rod               | 111C8883P1 | Brake Shoe Only              |
| 104B9964P4 | Tie Rod               | 111C9001P2 | Frame, Rear                  |
| 104B9964P5 | Tie Rod               | 111C9003P2 | Frame, Rear                  |
| 104B9964P6 | Tie Rod               | 111C9005P2 | Frame, Rear                  |
| 104B9965P1 | Support for Pivot Arm | 111C9007P2 | Frame, Rear                  |
| 104B9965P2 | Support for Pivot Arm | 111C9009P1 | Frame, Front                 |
| 104B9965P3 | Support for Pivot Arm | 111C9009P2 | Frame, Rear                  |
| 104B9965P4 | Support for Pivot Arm | 111C9011P1 | Magnet Frame                 |
| 104B9965P5 | Support for Pivot Arm | 111C9013P1 | Magnet Frame                 |
| 104B9965P6 | Support for Pivot Arm | 111C9015P1 | Magnet Frame                 |
| 105136     | Screw                 | 111C9017P1 | Magnet Frame                 |
| 10539      | Contact               | 111C9019P1 | Magnet Frame                 |
| 105676     | Contact               | 111C9021P1 | Magnet Frame                 |
| 105677     | Contact               | 112039     | Contact                      |
| 105678     | Contact               | 112040     | Contact                      |
| 105679     | Contact               | 112041     | Contact                      |
| 105681     | Contact               | 112042     | Contact                      |
| 105682     | Contact               | 112043     | Contact                      |
| 105689     | Contact               | 112044     | Contact                      |
| 105693     | Contact               | 112045     | Contact                      |
| 105694     | Contact               | 112046     | Contact                      |
| 105695     | Contact               | 112047     | Contact                      |
| 105696     | Contact               | 112088     | Clamp                        |
| 105697     | Contact               | 112101     | Clamp                        |
| 105698     | Contact               | 11217      | Contact                      |
| 105701     | Contact               | 11218      | Contact                      |
| 106105     | Cap Screw             | 11220      | Contact                      |
| 106166     | Finger                | 112303     | Cap Screw                    |
| 106856     | Coil                  | 113076     | Clamp For Ext. Lining, Upper |
| 106B9292G1 | Arc Shield Size 8 & 9 | 113077     | Clamp For Ext. Lining, Lower |
| 106G002    | Coil                  | 113078     | Torque Gauge Assembly        |
| 107968     | Contact               | 1158696P5  | Contact                      |
| 107969     | Contact               | 1158696P8  | Contact                      |
| 107970     | Contact               | 1158696P9  | Contact                      |
| 107971     | Contact               | 117A7148G2 | Arc Chute, Complete          |
| 107972     | Contact               | 117A7313G1 | Arc Shield                   |
| 107973     | Contact               | 117A7755P1 | Spring                       |
| 107974     | Contact               | 119B1305P1 | Arm                          |
| 108345     | Terminal              | 11-D-673   | Contact                      |
| 108346     | Terminal              | 11-D-674   | Contact                      |
| 10967      | Contact               | 121442     | Contact                      |
| 10969      | Contact               | 121562     | Contact                      |
| 10971      | Contact               | 121563     | Contact                      |
| 10974      | Contact               | 121564     | Contact                      |
| 10975      | Contact               | 121566     | Contact                      |
| 110046     | Finger                | 121567     | Contact                      |
| 1107918P1  | Contact               | 121568     | Contact                      |
| 111077     | Finger                | 125308     | Finger Base                  |
| 111079     | Tip                   | 125A4875P1 | Adjusting Screw              |
| 111080     | Tip                   | 126161     | Contact                      |
| 111081     | Finger                | 126162     | Contact                      |
| 111099     | Tip                   | 126163     | Contact                      |
| 11136      | Contact               | 126164     | Contact                      |
| 11137      | Contact               | 1265168    | Contact                      |
| 11138      | Contact               | 126869     | Nut                          |
| 111548     | Finger                | 126872     | Screw                        |
| 111719     | Contact               | 126911     | Finger Base                  |
| 111720     | Contact               | 126920     | Finger Base                  |
| 111741     | Contact               | 126927     | Finger Base                  |
| 11190      | Contact               | 126930     | Finger Base                  |



This document utilizes an interactive table of contents to help you jump from one section to another. Click the button to return to the table of contents.

**RETURN TO  
TABLE OF CONTENTS**

**BRAKES**

- FORM C103AA DC MAGNETIC BRAKE
- IC9528 A100 8" BRAKE
- IC9528 A101 10" BRAKE
- IC9528 A102 13" BRAKE
- IC9528 A103 16" BRAKE
- IC9528 A104 19" BRAKE
- IC9528 A105 23" BRAKE

**INDEX**

| OEM NUM         | DESCRIPTION                | OEM NUM         | DESCRIPTION                |
|-----------------|----------------------------|-----------------|----------------------------|
| 126932.....     | Finger                     | 138A1176P4..... | Rocker Pin                 |
| 127352.....     | Finger Base                | 138A1176P5..... | Rocker Pin                 |
| 129403.....     | Cap Screw                  | 138A1176P6..... | Rocker Pin                 |
| 129520.....     | Contact                    | 138A1177G1..... | Spacer for Tie Rod         |
| 129553.....     | Contact                    | 138A1178P1..... | Backing Strip              |
| 129556.....     | Contact                    | 138A1178P2..... | Backing Strip              |
| 129566.....     | Contact                    | 138A1178P3..... | Backing Strip              |
| 129568.....     | Contact                    | 138A1178P4..... | Backing Strip              |
| 129570.....     | Contact                    | 138A1178P5..... | Backing Strip              |
| 129572.....     | Contact                    | 138A1178P6..... | Backing Strip              |
| 129575.....     | Contact                    | 138A1191P1..... | Stainless Steel Rocker Pin |
| 129577.....     | Contact                    | 138A1191P2..... | Stainless Steel Rocker Pin |
| 129846.....     | Machine Screw              | 138A1191P3..... | Stainless Steel Rocker Pin |
| 12X540.....     | Nut                        | 138A1191P4..... | Stainless Steel Rocker Pin |
| 1304270.....    | Contact                    | 138A1191P5..... | Stainless Steel Rocker Pin |
| 1304271.....    | Contact                    | 138A1191P6..... | Stainless Steel Rocker Pin |
| 133717.....     | Screw                      | 138A2586P1..... | Retainer for Magnet Coil   |
| 1348653.....    | Contact                    | 138A2586P2..... | Retainer for Magnet Coil   |
| 1348654.....    | Contact                    | 139B8690G1..... | Torque Gauge Assembly      |
| 1348655.....    | Contact                    | 139B8691G1..... | Torque Gauge Assembly      |
| 134890.....     | Contact                    | 139B8692G1..... | Torque Gauge Assembly      |
| 134891.....     | Contact                    | 139B8693G1..... | Torque Gauge Assy.         |
| 134892.....     | Contact                    | 139B8694G1..... | Torque Gauge Assembly      |
| 134893.....     | Contact                    | 139B8695G1..... | Torque Gauge Assembly      |
| 134894.....     | Contact                    | 139B8784G1..... | Bracket                    |
| 134941.....     | Contact                    | 13-D-58.....    | Contact                    |
| 134957.....     | Contact                    | 13-D-60.....    | Contact                    |
| 1350000.....    | Contact                    | 13-D-61.....    | Contact                    |
| 1350001.....    | Contact                    | 13-D-62.....    | Contact                    |
| 135887.....     | Contact                    | 1400457.....    | Contact Tip                |
| 135888.....     | Contact                    | 1401985.....    | Contact                    |
| 135889.....     | Contact                    | 1402284.....    | Contact                    |
| 135890.....     | Contact                    | 1404009.....    | Contact                    |
| 135891.....     | Contact                    | 1404070.....    | Plate                      |
| 135892.....     | Contact                    | 1404078.....    | Contact                    |
| 135893.....     | Contact                    | 1404856.....    | Insulation Flange          |
| 135894.....     | Contact                    | 1404940.....    | Shunt                      |
| 135895.....     | Contact                    | 1404940.....    | Contact                    |
| 135896.....     | Contact                    | 1404950.....    | Shunt                      |
| 135897.....     | Contact                    | 1404969.....    | Contact                    |
| 136101.....     | Contact                    | 1405080.....    | Contact                    |
| 138A1125G1..... | Contact                    | 1406315.....    | Contact                    |
| 138A1173P1..... | Pivot Arm for Yoke         | 1407284.....    | Contact                    |
| 138A1173P2..... | Pivot Arm for Yoke         | 1407522.....    | Contact                    |
| 138A1173P3..... | Pivot Arm for Yoke         | 1407526.....    | Contact                    |
| 138A1173P4..... | Pivot Arm for Yoke         | 1407527.....    | Contact                    |
| 138A1173P5..... | Pivot Arm for Yoke         | 141223.....     | Cap Screw                  |
| 138A1173P6..... | Pivot Arm for Yoke         | 1412454.....    | Nut                        |
| 138A1174P1..... | Spring Strip for Pivot Arm | 142825.....     | Contact                    |
| 138A1174P2..... | Spring Strip for Pivot Arm | 142826.....     | Contact                    |
| 138A1174P3..... | Spring Strip for Pivot Arm | 1434517.....    | Pin for Base & Yokes       |
| 138A1174P4..... | Spring Strip for Pivot Arm | 1434518.....    | Pin                        |
| 138A1174P5..... | Spring Strip for Pivot Arm | 1434525.....    | Pin for Roller             |
| 138A1174P6..... | Spring Strip for Pivot Arm | 1434530.....    | Pin for Operating Lever    |
| 138A1175P1..... | Guide for Pivot Arm        | 1434531.....    | Pin                        |
| 138A1175P2..... | Guide for Pivot Arm        | 1434533.....    | Roller for Operating Lever |
| 138A1175P3..... | Guide for Pivot Arm        | 1434558.....    | Roller for Guides          |
| 138A1175P4..... | Guide for Pivot Arm        | 14355-B1.....   | Contact                    |
| 138A1175P5..... | Guide for Pivot Arm        | 143846.....     | Contact                    |
| 138A1175P6..... | Guide for Pivot Arm        | 143937.....     | Screw                      |
| 138A1176P1..... | Rocker Pin                 | 143940.....     | Contact                    |
| 138A1176P2..... | Rocker Pin                 | 143974.....     | Washer                     |
| 138A1176P3..... | Rocker Pin                 | 144029.....     | Screw                      |



This document utilizes an interactive table of contents to help you jump from one section to another. Click the button to return to the table of contents.

**RETURN TO  
TABLE OF CONTENTS**

**BRAKES**

- FORM C103AA DC MAGNETIC BRAKE
- IC9528 A100 8" BRAKE
- IC9528 A101 10" BRAKE
- IC9528 A102 13" BRAKE
- IC9528 A103 16" BRAKE
- IC9528 A104 19" BRAKE
- IC9528 A105 23" BRAKE

**INDEX**

| OEM NUM        | DESCRIPTION                         | OEM NUM      | DESCRIPTION |
|----------------|-------------------------------------|--------------|-------------|
| 1440808.....   | Coil                                | 1477573..... | Contact     |
| 1441758.....   | Contact                             | 1477925..... | Contact     |
| 1443121.....   | Contact                             | 1477942..... | Contact     |
| 1443249.....   | Contact                             | 1477943..... | Contact     |
| 1443487.....   | Retaining Washer                    | 1477967..... | Contact Tip |
| 1444352.....   | Contact                             | 1478604..... | Contact     |
| 1444353.....   | Contact                             | 1479663..... | Contact     |
| 1445136.....   | Cleat for Operating Coil Lead       | 1479797..... | Contact     |
| 1445169.....   | Contact                             | 1480633..... | Screw       |
| 1445307.....   | Contact                             | 148931.....  | Contact     |
| 1445428.....   | Stop                                | 1490967..... | Contact     |
| 1445721.....   | Retaining Washer for Operating Coil | 1491133..... | Contact     |
| 1447011.....   | Shunt                               | 1491136..... | Contact Tip |
| 144929.....    | Contact                             | 1491153..... | Contact     |
| 144930.....    | Contact                             | 1492168..... | Contact Tip |
| 144931.....    | Contact                             | 1492678..... | Contact     |
| 1451541.....   | Contact                             | 1493414..... | Contact     |
| 1452601.....   | Contact                             | 1493584..... | Contact     |
| 1452603.....   | Contact                             | 1493589..... | Contact     |
| 1453258.....   | Contact                             | 1494525..... | Contact     |
| 1454024.....   | Contact                             | 1494537..... | Contact     |
| 1455932.....   | Contact                             | 1494542..... | Contact     |
| 1456875.....   | Contact                             | 1494543..... | Contact     |
| 1458240.....   | Contact                             | 1494544..... | Contact     |
| 14599971.....  | Support for Armature                | 1494545..... | Contact     |
| 146149.....    | Nut                                 | 1494546..... | Contact     |
| 14629.....     | Contact                             | 1494547..... | Contact     |
| 1464166.....   | Contact                             | 1494548..... | Contact     |
| 1464816.....   | Contact                             | 1494550..... | Contact     |
| 1464827.....   | Contact                             | 1494552..... | Contact     |
| 1464847.....   | Contact                             | 1494553..... | Contact     |
| 1466032.....   | Contact                             | 1494556..... | Contact     |
| 1466387.....   | Contact                             | 1495214..... | Contact     |
| 1466387P2..... | Contact                             | 1495227..... | Contact     |
| 1467728.....   | Contact                             | 1495256..... | Contact     |
| 1467786.....   | Contact                             | 1495257..... | Contact     |
| 1467801.....   | Contact Tip                         | 1495259..... | Contact     |
| 1467811.....   | Contact Tip                         | 1495261..... | Contact     |
| 1467840.....   | Contact Tip                         | 1495262..... | Contact     |
| 1467860.....   | Contact Tip                         | 1495263..... | Contact     |
| 14681.....     | Contact Base                        | 1495264..... | Contact     |
| 1468311.....   | Contact Tip                         | 1495265..... | Contact     |
| 1468331.....   | Contact Tip                         | 1495266..... | Contact     |
| 1468386.....   | Contact                             | 1495267..... | Contact     |
| 14687.....     | Contact Base                        | 1495268..... | Contact     |
| 1468908.....   | Contact                             | 1495269..... | Contact     |
| 14692.....     | Reverse Tip                         | 1495270..... | Contact     |
| 1469207.....   | Contact Tip                         | 1495271..... | Contact     |
| 14693.....     | Reverse Tip                         | 1495272..... | Contact     |
| 14697.....     | Binding Post                        | 1495273..... | Contact     |
| 1474305.....   | Roller for Operating Lever          | 1495277..... | Contact     |
| 1474306.....   | Back Stop                           | 1495278..... | Contact     |
| 1475419.....   | Contact                             | 1495279..... | Contact     |
| 1475423.....   | Contact                             | 1495280..... | Contact     |
| 1475499.....   | Contact                             | 1495281..... | Contact     |
| 1476440.....   | Contact Tip                         | 1495287..... | Contact     |
| 1476698.....   | Contact                             | 1495288..... | Contact     |
| 1476900.....   | Contact                             | 1495289..... | Contact     |
| 1476936.....   | Contact                             | 1495291..... | Contact     |
| 1476937.....   | Contact                             | 1495293..... | Contact     |
| 1476999.....   | Contact                             | 1495294..... | Contact     |
| 1477185.....   | Contact                             | 1495296..... | Contact     |
| 1477513.....   | Contact                             | 1495297..... | Contact     |

| OEM NUM | DESCRIPTION | OEM NUM | DESCRIPTION |
|---------|-------------|---------|-------------|
| 1495298 | Contact     | 1497960 | Contact     |
| 1495299 | Contact     | 1497964 | Contact     |
| 1495603 | Contact     | 1497966 | Contact     |
| 1495604 | Contact     | 1497970 | Contact     |
| 1495605 | Contact     | 1497971 | Contact     |
| 1495606 | Contact     | 1497972 | Contact     |
| 1495607 | Contact     | 1497973 | Contact     |
| 1495610 | Contact     | 1497974 | Contact     |
| 1495612 | Contact     | 1497975 | Contact     |
| 1495613 | Contact     | 149806  | Washer      |
| 1495614 | Contact     | 1498374 | Contact     |
| 1495615 | Contact     | 1498375 | Contact     |
| 1495632 | Contact     | 1498386 | Contact     |
| 1495649 | Contact     | 1498450 | Contact     |
| 1495657 | Contact     | 149850  | Contact     |
| 1495660 | Contact     | 1498723 | Contact     |
| 1495661 | Contact     | 1498724 | Contact     |
| 1495662 | Contact     | 1498725 | Contact     |
| 1495663 | Contact     | 1498730 | Contact     |
| 1495664 | Contact     | 1498731 | Contact     |
| 1495665 | Contact     | 1498732 | Contact     |
| 1495666 | Contact     | 1498733 | Contact     |
| 1495670 | Contact     | 1498734 | Contact     |
| 1495672 | Contact     | 1498735 | Contact     |
| 1495673 | Contact     | 1498736 | Contact     |
| 1495674 | Contact     | 1498737 | Contact     |
| 1495675 | Contact     | 1498738 | Contact     |
| 1495676 | Contact     | 1498739 | Contact     |
| 1495677 | Contact     | 1498742 | Contact     |
| 1495686 | Contact     | 1498744 | Contact     |
| 1496152 | Contact     | 1498747 | Contact     |
| 1496154 | Contact     | 1498773 | Contact     |
| 1496901 | Contact     | 1498774 | Contact     |
| 1496910 | Contact Tip | 1498775 | Contact     |
| 1496944 | Contact     | 1498776 | Contact     |
| 1496945 | Contact     | 1498777 | Contact     |
| 1496946 | Contact     | 1498778 | Contact     |
| 1496947 | Contact     | 1498780 | Contact     |
| 1496949 | Contact     | 1498782 | Contact     |
| 1496950 | Contact     | 1498783 | Contact     |
| 1496951 | Contact     | 1498784 | Contact     |
| 1496952 | Contact     | 1498786 | Contact     |
| 1496953 | Contact     | 1498787 | Contact     |
| 1496954 | Contact     | 1498788 | Contact     |
| 1496955 | Contact     | 1499030 | Contact Tip |
| 1497640 | Contact     | 1499088 | Contact     |
| 1497905 | Contact     | 1499089 | Contact     |
| 1497909 | Contact     | 1499409 | Contact     |
| 1497910 | Contact     | 1499410 | Contact     |
| 1497911 | Contact     | 1499412 | Contact     |
| 1497914 | Contact     | 1499413 | Contact     |
| 1497915 | Contact     | 1499415 | Contact     |
| 1497947 | Contact     | 1499416 | Contact     |
| 1497948 | Contact     | 1499417 | Contact     |
| 1497951 | Contact     | 1499420 | Contact     |
| 1497952 | Contact     | 1499421 | Contact     |
| 1497953 | Contact     | 1499422 | Contact     |
| 1497954 | Contact     | 1499423 | Contact     |
| 1497955 | Contact     | 1499429 | Contact     |
| 1497956 | Contact     | 1499431 | Contact     |
| 1497957 | Contact     | 1499432 | Contact     |
| 1497958 | Contact     | 1499433 | Contact     |
| 1497959 | Contact     | 1499434 | Contact     |

This document utilizes an interactive table of contents to help you jump from one section to another. Click the button to return to the table of contents.

**RETURN TO  
TABLE OF CONTENTS**

**BRAKES**

- FORM C103AA DC MAGNETIC BRAKE
- IC9528 A100 8" BRAKE
- IC9528 A101 10" BRAKE
- IC9528 A102 13" BRAKE
- IC9528 A103 16" BRAKE
- IC9528 A104 19" BRAKE
- IC9528 A105 23" BRAKE

**INDEX**

This document utilizes an interactive table of contents to help you jump from one section to another. Click the button to return to the table of contents.

**RETURN TO  
TABLE OF CONTENTS**

**BRAKES**

- FORM C103AA DC MAGNETIC BRAKE
- IC9528 A100 8" BRAKE
- IC9528 A101 10" BRAKE
- IC9528 A102 13" BRAKE
- IC9528 A103 16" BRAKE
- IC9528 A104 19" BRAKE
- IC9528 A105 23" BRAKE

**INDEX**

| OEM NUM    | DESCRIPTION                 | OEM NUM    | DESCRIPTION                       |
|------------|-----------------------------|------------|-----------------------------------|
| 1499435    | Contact                     | 15D21G2    | Coil                              |
| 1499436    | Contact                     | 15D21G4    | Coil                              |
| 1499444    | Contact                     | 15D22G2    | Coil                              |
| 1499455    | Contact                     | 15D4G14    | Coil                              |
| 1499586    | Contact                     | 15D6G4     | Coil                              |
| 1499587    | Contact                     | 15D893J2   | Coil                              |
| 1499588    | Contact                     | 15D8G352   | Coil                              |
| 1499596    | Contact                     | 15D9G2     | Coil                              |
| 1499724    | Contact                     | 1608293-5  | Contact                           |
| 1499725    | Contact                     | 1642003-G1 | Blade                             |
| 1499768    | Contact                     | 1642009-G1 | Blade                             |
| 150161G004 | Contact                     | 1642206-G4 | Blade                             |
| 150854     | Screw                       | 164235     | Contact                           |
| 151304     | Contact                     | 164510     | Contact                           |
| 151468     | Contact                     | 164511     | Contact                           |
| 151660     | Contact                     | 164512     | Contact                           |
| 151667     | Contact                     | 164513     | Contact                           |
| 151668     | Contact                     | 164514     | Contact                           |
| 151669     | Contact                     | 164515     | Contact                           |
| 151A4432P1 | Contact                     | 164516     | Contact                           |
| 151A7913P1 | Armature                    | 164517     | Contact                           |
| 151A7931P1 | Lining and Supporting Plate | 164518     | Contact                           |
| 151A7931P2 | Lining and Supporting Plate | 164519     | Contact                           |
| 151A7931P3 | Lining and Supporting Plate | 164520     | Contact                           |
| 151A7931P4 | Lining                      | 164521     | Contact                           |
| 151A7931P5 | Lining                      | 164522     | Contact                           |
| 151A7931P6 | Lining & Support Plate      | 164735     | Contact                           |
| 15321      | Finger Base                 | 164736     | Contact                           |
| 154194     | Lockwasher                  | 164737     | Contact                           |
| 154196     | Lockwasher                  | 164738     | Contact                           |
| 154197     | Lockwasher                  | 164739     | Contact                           |
| 154198     | Lockwasher                  | 164740     | Contact                           |
| 154199     | Lockwasher                  | 164741     | Contact                           |
| 154200     | Lockwasher                  | 164742     | Contact                           |
| 154295     | Contact                     | 164757     | Finger Base                       |
| 154296     | Contact                     | 164762     | Contact                           |
| 154297     | Contact                     | 165178     | Contact                           |
| 154298     | Contact                     | 166233     | Coil                              |
| 154519     | Screw                       | 166391     | Contact                           |
| 154974     | Cotter Pin                  | 167540     | Contact                           |
| 155399     | Contact                     | 167541     | Contact                           |
| 15770      | Contact                     | 167542     | Contact                           |
| 157768     | Contact                     | 167A8474P1 | Lining & Support Plate            |
| 157769     | Contact                     | 167A8474P2 | 10" Lining & Support Plate        |
| 157771     | Contact                     | 167A8474P3 | 13" Lining & Support Plate        |
| 157772     | Contact                     | 167A8474P4 | 16" Lining & Support Plate        |
| 157774     | Contact                     | 167A8474P5 | 19" Bonded Lining & Support Plate |
| 157775     | Contact                     | 167A8474P6 | Lining & Support Plate Assembly   |
| 157776     | Contact                     | 1689507-3  | Contact                           |
| 157777     | Contact                     | 170952     | Bolt                              |
| 157778     | Contact                     | 171595     | Contact                           |
| 15778      | Contact                     | 171782     | Contact Tip                       |
| 157781     | Contact                     | 171C213P1  | Brake Shoe                        |
| 158379     | Finger Base                 | 171C215P1  | Brake Shoe                        |
| 158380     | Finger Base                 | 171C217P1  | Brake Shoe                        |
| 158C1800P1 | Base                        | 171C219P1  | Brake Shoe                        |
| 159066     | Contact                     | 171C221P1  | Brake Shoe                        |
| 159384     | Contact                     | 171C223P1  | Brake Shoe                        |
| 159393     | Contact                     | 171C227G3  | Magnet Frame                      |
| 159397     | Contact                     | 171C229P3  | Frame, Front                      |
| 15D021G002 | Coil                        | 171C229P4  | Frame, Rear                       |
| 15D022G002 | Coil                        | 171C230G15 | Frame Front                       |
| 15D10G137  | Coil                        | 171C230G16 | Frame Rear                        |

This document utilizes an interactive table of contents to help you jump from one section to another. Click the button to return to the table of contents.

**RETURN TO  
TABLE OF CONTENTS**

**BRAKES**

- FORM C103AA DC MAGNETIC BRAKE
- IC9528 A100 8" BRAKE
- IC9528 A101 10" BRAKE
- IC9528 A102 13" BRAKE
- IC9528 A103 16" BRAKE
- IC9528 A104 19" BRAKE
- IC9528 A105 23" BRAKE

**INDEX**

| OEM NUM    | DESCRIPTION        | OEM NUM     | DESCRIPTION                |
|------------|--------------------|-------------|----------------------------|
| 171C230G5  | Frame, Front       | 1805116     | Contact                    |
| 171C230G6  | Frame, Rear        | 1812871G26  | Blowout Coil               |
| 171C232G21 | Frame Front        | 1824774-P10 | Contact                    |
| 171C232G22 | Frame Rear         | 183A1174P4  | Spring Strip for Pivot Arm |
| 171C232G5  | Frame, Front       | 187822      | Contact                    |
| 171C232G6  | Frame, Rear        | 187V471A1   | Contact                    |
| 171C235G3  | Magnet Frame       | 188185      | Cap Screw                  |
| 171C241G3  | Magnet Frame       | 189267      | Contact                    |
| 171C243G3  | Magnet Frame       | 189490      | Finger Base                |
| 171C246G21 | Frame Front        | 189896      | Contact                    |
| 171C246G22 | Frame Rear         | 189900      | Contact                    |
| 171C246G5  | Frame, Front       | 1929619G2   | Coil                       |
| 171C246G6  | Frame, Rear        | 1933901-2   | Contact                    |
| 171C247G17 | Frame Front        | 1933901-3   | Contact                    |
| 171C247G18 | Frame Rear         | 1933901-4   | Contact                    |
| 171C247G5  | Frame, Front       | 1933901-5   | Contact                    |
| 171C247G6  | Frame, Rear        | 1933901-6   | Contact                    |
| 171C248G3  | Magnet Frame       | 1933901-7   | Contact                    |
| 171C262G21 | Frame, Front       | 1939907-2   | Contact                    |
| 171C262G22 | Frame Rear         | 194992      | Contact Base               |
| 171C262G5  | Frame, Front       | 194997      | Contact                    |
| 171C262G6  | Frame, Rear        | 194A7625P1  | Magnet Core                |
| 171C264G3  | Magnet Frame       | 194A7821P1  | Link                       |
| 171C266G19 | Yoke With Bushings | 19681       | Contact                    |
| 171C266G20 | Yoke With Bushings | 19683       | Plate                      |
| 171C266G21 | Yoke With Bushings | 19697       | Contact Base               |
| 171C266G22 | Yoke With Bushings | 19715       | Contact                    |
| 171C266G23 | Yoke With Bushings | 197962      | Contact                    |
| 171C266G24 | Yoke With Bushings | 197963      | Contact                    |
| 17366      | Cap Screw          | 197964      | Contact                    |
| 17368      | Screw              | 197965      | Contact                    |
| 17376      | Cap Screw          | 197966      | Contact                    |
| 173817     | Contact            | 197992      | Contact                    |
| 174393     | Screw              | 19805       | Finger Base                |
| 175628     | Spring             | 198267      | Contact                    |
| 17617      | Contact            | 198563      | Contact                    |
| 17618      | Contact            | 198566      | Contact                    |
| 17619      | Contact            | 198567      | Contact                    |
| 17620      | Contact            | 198603      | Contact                    |
| 17621      | Contact            | 199086      | Contact                    |
| 17622      | Contact            | 1D106G002   | Coil                       |
| 17623      | Contact            | 1D106G2A    | Coil                       |
| 176241     | Screw              | 1D106G3A    | Coil                       |
| 17634      | Contact            | 1D106G51A   | Coil                       |
| 17636      | Contact            | 1D1179G1    | Coil                       |
| 17667      | Contact            | 1D16204     | Coil                       |
| 176983     | Contact            | 1D16G202    | Coil                       |
| 177069     | Contact            | 1D176G001   | Coil                       |
| 177070     | Contact            | 1D176G100   | Coil                       |
| 177071     | Contact            | 1D176G101   | Coil                       |
| 177072     | Contact            | 1D176G102   | Coil                       |
| 177073     | Contact            | 1D176G103   | Coil                       |
| 177260     | Screw              | 1D176G104   | Coil                       |
| 177278     | Screw              | 1D176G105   | Coil                       |
| 17733      | Screw              | 1D176G106   | Coil                       |
| 177729     | Contact Tip        | 1D176G107   | Coil                       |
| 177789     | Contact            | 1D176G108   | Coil                       |
| 17794      | Contact            | 1D176G109   | Coil                       |
| 178651     | Contact            | 1D176G110   | Coil                       |
| 179913     | Contact            | 1D176G111   | Coil                       |
| 180223     | Contact            | 1D176G112   | Coil                       |
| 18040      | Contact            | 1D176G113   | Coil                       |
| 180471     | Contact            | 1D176G114   | Coil                       |

This document utilizes an interactive table of contents to help you jump from one section to another. Click the button to return to the table of contents.

**RETURN TO  
TABLE OF CONTENTS**

**BRAKES**

- FORM C103AA DC MAGNETIC BRAKE
- IC9528 A100 8" BRAKE
- IC9528 A101 10" BRAKE
- IC9528 A102 13" BRAKE
- IC9528 A103 16" BRAKE
- IC9528 A104 19" BRAKE
- IC9528 A105 23" BRAKE

**INDEX**

| OEM NUM   | DESCRIPTION | OEM NUM    | DESCRIPTION               |
|-----------|-------------|------------|---------------------------|
| 1D176G115 | Coil        | 1D180G112  | Coil                      |
| 1D176G116 | Coil        | 1D181G001  | Coil                      |
| 1D176G117 | Coil        | 1D181G100  | Coil                      |
| 1D176G118 | Coil        | 1D181G101  | Coil                      |
| 1D176G119 | Coil        | 1D181G102  | Coil                      |
| 1D176G120 | Coil        | 1D181G103  | Coil                      |
| 1D176G121 | Coil        | 1D181G104  | Coil                      |
| 1D176G122 | Coil        | 1D181G105  | Coil                      |
| 1D176G123 | Coil        | 1D181G106  | Coil                      |
| 1D177G100 | Coil        | 1D181G107  | Coil                      |
| 1D177G101 | Coil        | 1D181G108  | Coil                      |
| 1D177G102 | Coil        | 1D181G109  | Coil                      |
| 1D177G103 | Coil        | 1D181G110  | Coil                      |
| 1D177G104 | Coil        | 1D181G111  | Coil                      |
| 1D177G105 | Coil        | 1D181G112  | Coil                      |
| 1D177G106 | Coil        | 1D181G113  | Coil                      |
| 1D177G107 | Coil        | 1D181G114  | Coil                      |
| 1D177G108 | Coil        | 1D38G2     | Coil                      |
| 1D177G109 | Coil        | 1D38G4     | Coil                      |
| 1D177G110 | Coil        | 1D5G22     | Coil                      |
| 1D177G111 | Coil        | 1D5G24     | Coil                      |
| 1D177G112 | Coil        | 1D5G26     | Coil                      |
| 1D177G1A  | Coil        | 1D93G105   | Coil                      |
| 1D178G100 | Coil        | 1D93G12    | Coil                      |
| 1D178G101 | Coil        | 200045     | Screw                     |
| 1D178G102 | Coil        | 201343     | Contact                   |
| 1D178G103 | Coil        | 2016007    | Contact                   |
| 1D178G104 | Coil        | 201800     | Contact                   |
| 1D178G105 | Coil        | 203798     | Coil                      |
| 1D178G106 | Coil        | 205068     | Contact                   |
| 1D178G107 | Coil        | 205A4704P1 | Brake Shoe Lining         |
| 1D178G108 | Coil        | 207019     | Contact                   |
| 1D178G109 | Coil        | 207023     | Contact                   |
| 1D178G110 | Coil        | 208714     | Contact                   |
| 1D178G111 | Coil        | 208715     | Contact                   |
| 1D178G112 | Coil        | 208716     | Contact                   |
| 1D178G113 | Coil        | 208717     | Contact                   |
| 1D178G114 | Coil        | 209553     | Screw                     |
| 1D178G1A  | Shunt Coil  | 210982     | Contact                   |
| 1D179G1   | Shunt Coil  | 21448      | Contact                   |
| 1D179G100 | Coil        | 21449      | Contact                   |
| 1D179G101 | Coil        | 21450      | Contact                   |
| 1D179G102 | Coil        | 216694     | Contact                   |
| 1D179G103 | Coil        | 216696     | Contact                   |
| 1D179G104 | Coil        | 216719     | Contact                   |
| 1D179G105 | Coil        | 216837     | Contact                   |
| 1D179G106 | Coil        | 217817     | Screw                     |
| 1D179G107 | Coil        | 217898     | Cap Screw                 |
| 1D179G108 | Coil        | 2182133-1  | Contact                   |
| 1D179G109 | Coil        | 2182133-2  | Contact                   |
| 1D179G110 | Coil        | 218377     | Contact                   |
| 1D179G1A  | Coil        | 218381     | Contact                   |
| 1D180G001 | Shunt Coil  | 218382     | Contact                   |
| 1D180G100 | Coil        | 218861     | Contact                   |
| 1D180G101 | Coil        | 218A5610P2 | Lower Clamp (High Torque) |
| 1D180G101 | Coil        | 218A5611P1 | Upper Clamp, High Torque  |
| 1D180G103 | Coil        | 218A5611P2 | Lower Clamp (High Torque) |
| 1D180G104 | Coil        | 218A5612P2 | Lower Clamp (High Torque) |
| 1D180G105 | Coil        | 218A5613P2 | Lower Clamp (High Torque) |
| 1D180G106 | Coil        | 218A5614P1 | Upper Clamp (High Torque) |
| 1D180G107 | Coil        | 218A5614P2 | Lower Clamp (High Torque) |
| 1D180G108 | Coil        | 218A5615P1 | Clamp for Lining Upper    |
| 1D180G109 | Coil        | 218A5615P2 | Lower Clamp (High Torque) |



This document utilizes an interactive table of contents to help you jump from one section to another. Click the button to return to the table of contents.

**RETURN TO  
TABLE OF CONTENTS**

**BRAKES**

- FORM C103AA DC MAGNETIC BRAKE
- IC9528 A100 8" BRAKE
- IC9528 A101 10" BRAKE
- IC9528 A102 13" BRAKE
- IC9528 A103 16" BRAKE
- IC9528 A104 19" BRAKE
- IC9528 A105 23" BRAKE

**INDEX**

| OEM NUM     | DESCRIPTION                   | OEM NUM    | DESCRIPTION  |
|-------------|-------------------------------|------------|--------------|
| 218A6420G1  | Conduit Cover                 | 22D101G102 | Coil         |
| 218A6420G2  | Conduit Cover                 | 22D101G18A | Coil         |
| 218A6420G3  | Conduit Cover                 | 22D101G2   | Coil         |
| 218A6420G5  | Conduit Cover                 | 22D101G2A  | Coil         |
| 2198092     | Finger Shield                 | 22D101G3A  | Coil         |
| 219868      | Contact                       | 22D103G2   | Coil         |
| 21C201G5    | Coil                          | 22D11      | Coil         |
| 21X465      | 8" Lining w/rivets for 1 Shoe | 22D112G2   | Coil         |
| 21X466      | Brake Lining, 11"             | 22D112G4   | Coil         |
| 220132      | Contact                       | 22D11E95   | Coil         |
| 2204790     | Contact                       | 22D11G110  | Coil         |
| 2210062-G6  | Contact                       | 22D11G12   | Coil         |
| 2210095-G1  | Contact                       | 22D11G168  | Coil         |
| 2210095-G2  | Contact                       | 22D11G2    | Coil         |
| 2210800-G11 | Contact                       | 22D11G21   | Coil         |
| 2210800-G4  | Contact                       | 22D11G230A | Coil         |
| 2210800-G5  | Contact                       | 22D11G25   | Coil         |
| 2215635-P1  | Contact                       | 22D11G25   | Coil         |
| 2215731     | Contact                       | 22D11G25A  | Coil         |
| 2220358-1   | Contact                       | 22D11G26A  | Coil         |
| 2230287     | Contact                       | 22D11G27   | Coil         |
| 2236372     | Contact                       | 22D11G4    | Coil         |
| 2236930     | Contact                       | 22D11G45A  | Coil         |
| 2238066-16  | Contact                       | 22D11G46A  | Coil         |
| 2238066-6   | Contact                       | 22D11G49A  | Coil         |
| 2238070-1   | Contact                       | 22D11G54   | Coil         |
| 2240223     | Contact                       | 22D11G55   | Coil         |
| 2242320-2   | Contact                       | 22D11G55A  | Coil         |
| 2247570-G1  | Contact                       | 22D11G57   | Coil         |
| 225311      | Stud                          | 22D11G58A  | Coil         |
| 226455      | Contact                       | 22D11G59A  | Coil         |
| 22847       | Contact                       | 22D11G61   | Coil         |
| 22996       | Contact                       | 22D11G61A  | Coil         |
| 229B750G1   | Pivot Arm for Yoke            | 22D11G62   | Coil         |
| 229B751P1   | Conduit Cover                 | 22D11G65   | Coil         |
| 229B756P1   | Conduit Cover                 | 22D11G67A  | Coil         |
| 229B757P1   | 13" Conduit Cover             | 22D11G68   | Coil         |
| 229B759P1   | Back Plate                    | 22D11G70A  | Coil         |
| 229B770P1   | Conduit Cover                 | 22D11G71   | Coil         |
| 229B777G1   | Pivot Arm For Yoke            | 22D11G74   | Coil         |
| 229B778P1   | Back Plate                    | 22D11G74   | Coil         |
| 229B781G1   | Terminal Board                | 22D11G75   | Coil, 20 ADC |
| 229B781G10  | Terminal Board                | 22D11G75   | Coil         |
| 229B781G13  | Terminal Board                | 22D11G76   | Coil         |
| 229B781G14  | Terminal Board                | 22D11G77   | Coil         |
| 229B781G3   | Terminal Block                | 22D11G77   | Coil         |
| 229B781G4   | Terminal Board                | 22D11G86   | Coil         |
| 229B781G6   | Terminal Board                | 22D11G86A  | Coil         |
| 229B781G7   | Terminal Board                | 22D11G88A  | Coil         |
| 229B781G8   | Terminal Board, Shunt         | 22D11G95   | Coil         |
| 229B781G9   | Terminal Board                | 22D11G96   | Coil         |
| 229B790P10  | Spacer                        | 22D12G10   | Coil         |
| 229B790P11  | Spacer For Tie Stud           | 22D135C14  | Coil         |
| 229B790P12  | Spacer For Tie Stud           | 22D135G102 | Coil         |
| 229B790P2   | Spacer for Tie Stud           | 22D135G103 | Coil         |
| 229B796G1   | Armature with Bushings        | 22D135G2   | Coil         |
| 229B796G2   | Armature with Bushings        | 22D135G202 | Coil         |
| 229B796G3   | Armature with Bushings        | 22D135G22  | Coil         |
| 229B796G4   | Armature with Bushings        | 22D135G3   | Coil         |
| 229B796G5   | Armature with Bushings        | 22D135G8   | Coil         |
| 229B796G6   | Armature with Bushings        | 22D136G14A | Coil         |
| 229B798G4   | Spacer For Tie Rod            | 22D136G2   | Coil         |
| 229B799P1   | Conduit Cover                 | 22D136G25A | Coil         |

This document utilizes an interactive table of contents to help you jump from one section to another. Click the button to return to the table of contents.

**RETURN TO  
TABLE OF CONTENTS**

**BRAKES**

- FORM C103AA DC MAGNETIC BRAKE
- IC9528 A100 8" BRAKE
- IC9528 A101 10" BRAKE
- IC9528 A102 13" BRAKE
- IC9528 A103 16" BRAKE
- IC9528 A104 19" BRAKE
- IC9528 A105 23" BRAKE

**INDEX**

| OEM NUM     | DESCRIPTION | OEM NUM    | DESCRIPTION                     |
|-------------|-------------|------------|---------------------------------|
| 22D136G28A  | Coil        | 22D75G2A   | Coil                            |
| 22D136G2A   | Coil        | 22D75G37A  | Coil                            |
| 22D136G3    | Coil        | 22D75G3A   | Coil                            |
| 22D136G5    | Coil        | 22D77G2A   | Coil                            |
| 22D136G6    | Coil        | 22D82G102  | Coil                            |
| 22D13G13    | Coil        | 22D82G103  | Coil                            |
| 22D13G2     | Coil        | 22D82G104  | Coil                            |
| 22D13G2A    | Coil        | 22D82G42   | Coil                            |
| 22D13G4     | Coil        | 22D85G201  | Coil                            |
| 22D13G7     | Coil        | 22D85G201A | Coil                            |
| 22D148G002  | Coil        | 22D85G202  | Coil                            |
| 22D14G12    | Coil        | 22D85G203  | Coil                            |
| 22D14G12A   | Coil        | 22D85G204  | Coil                            |
| 22D14G2     | Coil        | 22D85G205  | Coil                            |
| 22D151G25   | Coil        | 22D85G211  | Coil                            |
| 22D151G4    | Coil        | 22D87G10A  | Coil                            |
| 22D153G102  | Coil        | 22D87G13A  | Coil                            |
| 22D153G12   | Coil        | 22D87G2    | Coil                            |
| 22D153G2    | Coil        | 22D882     | Coil                            |
| 22D153G4    | Coil        | 22D8G26    | Coil                            |
| 22D154G002  | Coil        | 22D8G38    | Coil                            |
| 22D154G45A  | Coil        | 22D95G1    | Coil                            |
| 22D155G3    | Coil        | 22D95G12   | Coil                            |
| 22D155G4    | Coil        | 22D95G1A   | Coil                            |
| 22D156G2    | Coil        | 22D95G31   | Coil                            |
| 22D157G2    | Coil        | 22D95G5A   | Coil                            |
| 22D157G4    | Coil        | 22D95G7A   | Coil                            |
| 22D15B4     | Coil        | 22D95GL    | Coil                            |
| 22D15G2     | Coil        | 231017     | Contact                         |
| 22D15G26    | Coil        | 23114      | Contact                         |
| 22D15G3     | Coil        | 23119      | Contact                         |
| 22D15G32    | Coil        | 231810     | Finger Base                     |
| 22D15G4     | Coil        | 233B544P7  | Rocker Pin                      |
| 22D15G5     | Coil        | 233B548G1  | Spacer                          |
| 22D164G162  | Coil        | 233B554G1  | Nut Extension                   |
| 22D164G3    | Coil        | 233B564P4  | Tie Rod                         |
| 22D165G102  | Coil        | 233B565P1  | Nut for Tie Rod                 |
| 22D1692     | Coil        | 233B565P2  | Nut for Tie Rod                 |
| 22D18G2     | Coil        | 233B565P3  | Nut for Tie Rod                 |
| 22D1B68125A | Coil        | 233B565P4  | Nut for Tie Rod                 |
| 22D23G2     | Coil        | 233B565P5  | Nut for Tie Rod                 |
| 22D23G22    | Coil        | 234394     | Contact                         |
| 22D23G3     | Coil        | 234395     | Contact                         |
| 22D23G4     | Coil        | 234399     | Contact                         |
| 22D26G4     | Coil        | 235151     | Coil                            |
| 22D293      | Coil        | 235184     | Compression Spring for Armature |
| 22D2G261    | Coil        | 235713     | Contact                         |
| 22D2G3      | Coil        | 23924      | Contact                         |
| 22D2G4      | Coil        | 23926      | Contact                         |
| 22D3G100    | Coil        | 23927      | Contact                         |
| 22D45G27    | Coil        | 23928      | Contact                         |
| 22D45G32    | Coil        | 23929      | Contact                         |
| 22D45G9     | Coil        | 23930      | Contact                         |
| 22D57G20A   | Coil        | 23931      | Contact                         |
| 22D595G12   | Coil        | 23932      | Contact                         |
| 22D63G14    | Coil        | 23933      | Contact                         |
| 22D63G3     | Coil        | 23934      | Contact                         |
| 22D63G8     | Coil        | 23935      | Contact                         |
| 22D63GA     | Coil        | 23936      | Contact                         |
| 22D72G4     | Coil        | 23937      | Contact                         |
| 22D736G3    | Coil        | 2410815    | Spring                          |
| 22D74G2     | Coil        | 2412650    | Spring                          |
| 22D75G15A   | Coil        | 2412653P1  | Spring                          |

This document utilizes an interactive table of contents to help you jump from one section to another. Click the button to return to the table of contents.

**RETURN TO  
TABLE OF CONTENTS**

| OEM NUM   | DESCRIPTION              | OEM NUM    | DESCRIPTION            |
|-----------|--------------------------|------------|------------------------|
| 2413332   | Spring                   | 2457351    | Contact                |
| 2413921   | Compression Spring       | 2458490    | Contact                |
| 2414865   | Compression Spring       | 2458490P1  | Stationary Contact     |
| 2414865P1 | Spring                   | 2459442    | Insulation Sleeve      |
| 2415108   | Compression Spring       | 2459856    | Core                   |
| 2415120   | Compression Spring       | 2459875    | Contact                |
| 2415121   | Compression Spring       | 2459875P1  | Movable Contact        |
| 2415138   | Compression Spring       | 245P29B6   | Nut for Bearing Pin    |
| 2415323P1 | Spring                   | 245P35B6   | Nut for Bearing Pin    |
| 241595    | Contact                  | 245P39B6   | Nut for Bearing Pin    |
| 2416433   | Compression Spring       | 245P45B6   | Nut for Bearing Pin    |
| 2416475P1 | Spring for Movable Tip   | 2460961    | Contact Tip            |
| 24175     | Contact                  | 2463746    | Roller                 |
| 2417582   | Compression Spring       | 2463800    | Short Connection Stud  |
| 24176     | Contact                  | 2466212    | Long Connection Stud   |
| 2418884   | Spring for Friction Plug | 2468478    | Pin for Base & Yokes   |
| 2418884P1 | Spring For Friction Plug | 2468479    | Spring Seat, Outer     |
| 2418892   | Spring for Friction Plug | 2468480    | Guide Block            |
| 2418892P1 | Spring For Friction Plug | 2468485    | Pin                    |
| 2418893   | Spring for Friction Plug | 2472107    | Yoke                   |
| 2418893P1 | Spring For Friction Plug | 2472828P1  | Pin for Link & Plunger |
| 2419368   | Coil                     | 2473010    | Contact Tip            |
| 2421991   | Short Connection Stud    | 2483877    | Contact Tip            |
| 2428935   | Contact Screw            | 2489851    | Arcing Horn            |
| 24336     | Contact Base             | 2492908    | Contact                |
| 24348     | Contact                  | 24986      | Contact                |
| 24349     | Contact Tip              | 2499427    | Shim                   |
| 24350     | Contact                  | 251302     | Contact                |
| 24351     | Contact                  | 253597     | Screw                  |
| 24352     | Contact                  | 25499      | Contact                |
| 24353     | Contact                  | 255635     | Oil Cup                |
| 24354     | Contact                  | 25721      | Contact                |
| 24355     | Contact                  | 259138     | Contact                |
| 24356     | Contact                  | 26005636-5 | Contact                |
| 24357     | Contact                  | 2601241-1  | Contact                |
| 2437279P  | Contact                  | 2601241-2  | Contact                |
| 2437944   | Back Cover               | 2601242-2  | Contact                |
| 2437946   | Movable Core             | 260217     | Screw                  |
| 2439424   | Sleeve                   | 2605601-3  | Contact                |
| 2439437   | Disc                     | 2605601-4  | Contact                |
| 2440216   | Contact                  | 2605602-6  | Contact                |
| 2440217   | Contact                  | 2605607-1  | Contact                |
| 2440218   | Contact                  | 2605614-2  | Contact                |
| 2440219   | Contact                  | 2605619-P3 | Contact                |
| 2440222   | Contact                  | 2605620-1  | Contact                |
| 2440376   | Contact                  | 2605620-10 | Contact                |
| 2440952   | Contact                  | 2605620-12 | Contact                |
| 2440990   | Contact                  | 2605620-15 | Contact                |
| 2441451   | Contact                  | 2605620-17 | Contact                |
| 2441480   | Contact                  | 2605620-18 | Contact                |
| 2443049   | Guide Block              | 2605620-3  | Contact                |
| 2443050   | Brake Shoe Lining        | 2605620-6  | Contact                |
| 2443067P1 | 8" Brake Lining          | 2605620-7  | Contact                |
| 2443096   | Link                     | 2605620-8  | Contact                |
| 2443842   | Contact                  | 2605623-10 | Contact                |
| 2447762   | Contact                  | 2605623-4  | Contact                |
| 2451575   | Contact                  | 2605623-9  | Contact                |
| 2452670   | Locking Pin              | 2605624-1  | Contact                |
| 2453389   | Guide Strip              | 2605624-2  | Contact                |
| 2455288   | Contact                  | 2605624-3  | Contact                |
| 2455923   | Contact                  | 2605624-5  | Contact                |
| 2456830   | Contact                  | 2605624-6  | Contact                |
| 2457337   | Contact                  | 2605624-7  | Contact                |

### BRAKES

- FORM C103AA DC MAGNETIC BRAKE
- IC9528 A100 8" BRAKE
- IC9528 A101 10" BRAKE
- IC9528 A102 13" BRAKE
- IC9528 A103 16" BRAKE
- IC9528 A104 19" BRAKE
- IC9528 A105 23" BRAKE

### INDEX

This document utilizes an interactive table of contents to help you jump from one section to another. Click the button to return to the table of contents.

**RETURN TO  
TABLE OF CONTENTS**

**BRAKES**

- FORM C103AA DC MAGNETIC BRAKE
- IC9528 A100 8" BRAKE
- IC9528 A101 10" BRAKE
- IC9528 A102 13" BRAKE
- IC9528 A103 16" BRAKE
- IC9528 A104 19" BRAKE
- IC9528 A105 23" BRAKE

**INDEX**

| OEM NUM    | DESCRIPTION | OEM NUM      | DESCRIPTION                     |
|------------|-------------|--------------|---------------------------------|
| 2605628-1  | Contact     | 2605696-2    | Contact                         |
| 2605628-10 | Contact     | 2605696-3    | Contact                         |
| 2605628-19 | Contact     | 2605697-1    | Contact                         |
| 2605628-2  | Contact     | 2605697-2    | Contact                         |
| 2605628-3  | Contact     | 2605698-1    | Contact                         |
| 2605628-36 | Contact     | 2605698-10   | Contact                         |
| 2605628-4  | Contact     | 2605698-11   | Contact                         |
| 2605628-5  | Contact     | 2605698-13   | Contact                         |
| 2605628-6  | Contact     | 2605698-2    | Contact                         |
| 2605628-7  | Contact     | 2605698-5    | Contact                         |
| 2605628-8  | Contact     | 2605698-7    | Contact                         |
| 2605629-4  | Contact     | 2605698-8    | Contact                         |
| 2605629-5  | Contact     | 2644936-1    | Plate                           |
| 2605629-6  | Contact     | 2649308-2    | Finger                          |
| 2605629-7  | Contact     | 2649326-2    | Contact                         |
| 2605631-28 | Contact     | 2649326-4    | Contact                         |
| 2605631-29 | Contact     | 2649326-6    | Contact                         |
| 2605634-1  | Contact     | 264B910G2    | Coil                            |
| 2605634-2  | Contact     | 265042       | Screw                           |
| 2605634-3  | Contact     | 266109       | Contact                         |
| 2605636-1  | Contact     | 267231       | Cap Screw                       |
| 2605636-10 | Contact     | 267327       | Screw                           |
| 2605636-11 | Contact     | 27067        | Contact                         |
| 2605636-12 | Contact     | 2710083      | Contact                         |
| 2605636-13 | Contact     | 2710260      | Contact                         |
| 2605636-14 | Contact     | 2710261      | Contact                         |
| 2605636-15 | Contact     | 2710262      | Contact                         |
| 2605636-16 | Contact     | 2711511P1    | Contact                         |
| 2605636-17 | Contact     | 271199       | Cap Screw                       |
| 2605636-18 | Contact     | 271268       | Screw                           |
| 2605636-19 | Contact     | 2716434      | Contact                         |
| 2605636-2  | Contact     | 2718146      | Contact                         |
| 2605636-25 | Contact     | 2728730      | Coil                            |
| 2605636-3  | Contact     | 2738730      | Coil                            |
| 2605636-35 | Contact     | 2738781      | Coil                            |
| 2605636-36 | Contact     | 2738781G5    | Coil                            |
| 2605636-37 | Contact     | 273A4961ABG1 | 23" Brake Shoe Modification Kit |
| 2605636-38 | Contact     | 27633        | Contact                         |
| 2605636-4  | Contact     | 27647        | Contact                         |
| 2605636-6  | Contact     | 27648        | Contact                         |
| 2605636-7  | Contact     | 27649        | Contact                         |
| 2605636-8  | Contact     | 27650        | Contact                         |
| 2605636-87 | Contact     | 27651        | Contact                         |
| 2605636-88 | Contact     | 27652        | Contact                         |
| 2605636-9  | Contact     | 27653        | Contact                         |
| 2605651-2  | Contact     | 27654        | Contact                         |
| 2605659-1  | Contact     | 27655        | Contact                         |
| 2605659-2  | Contact     | 27656        | Contact                         |
| 2605659-3  | Contact     | 27657        | Contact                         |
| 2605664-1  | Contact     | 277A8107P1   | Lining & Support Plate Assembly |
| 2605664-2  | Contact     | 277A8107P2   | Lining & Support Plate          |
| 2605664-3  | Contact     | 277A8107P3   | Lining And Supporting Plate     |
| 2605671-1  | Contact     | 277A8107P4   | Lining & Support Plate Assembly |
| 2605671-2  | Contact     | 277A8107P5   | Lining & Support Plate Assembly |
| 2605671-22 | Contact     | 277A8107P6   | Bonded Lining & Support Plate   |
| 2605671-3  | Contact     | 277A8125P1   | Lining & Support Plate          |
| 2605671-5  | Contact     | 277A8190P15  | 16" Brake Wheel                 |
| 2605671-6  | Contact     | 278714       | Contact                         |
| 2605671-7  | Contact     | 278A167G1    | Core Assembly                   |
| 2605671-8  | Contact     | 27925        | Terminal                        |
| 2605671-9  | Contact     | 27D14G12     | Coil                            |
| 2605675-4  | Contact     | 280055       | Contact                         |
| 2605696-1  | Contact     | 2809031-2    | Contact                         |

This document utilizes an interactive table of contents to help you jump from one section to another. Click the button to return to the table of contents.

**RETURN TO  
TABLE OF CONTENTS**

**BRAKES**

- FORM C103AA DC MAGNETIC BRAKE
- IC9528 A100 8" BRAKE
- IC9528 A101 10" BRAKE
- IC9528 A102 13" BRAKE
- IC9528 A103 16" BRAKE
- IC9528 A104 19" BRAKE
- IC9528 A105 23" BRAKE

**INDEX**

| OEM NUM    | DESCRIPTION                  | OEM NUM    | DESCRIPTION                         |
|------------|------------------------------|------------|-------------------------------------|
| 2810489G1  | Retaining Washer             | 282A859P1  | Retainer for Magnet Coil            |
| 2811100-1  | Contact                      | 282A859P2  | Retainer for Magnet Coil            |
| 2811100-6  | Contact                      | 282A859P3  | Retainer for Magnet Coil            |
| 2811102-1  | Contact                      | 282A859P4  | Retainer for Magnet Coil            |
| 2811103-1  | Contact                      | 282A860P14 | Guide Pin For Spring                |
| 2811103-2  | Contact                      | 282A861P2  | Stud for Magnet Core                |
| 282A750P1  | Retainer for Torque Spring   | 282A861P3  | Stud for Magnet Core                |
| 282A751P1  | Retainer for Torque Spring   | 282A861P5  | Stud for Magnet Core                |
| 282A752P1  | Retainer for Torque Spring   | 282A861P8  | Stud for Magnet Core                |
| 282A753P1  | Retainer                     | 282A861P9  | Stud for Magnet Core                |
| 282A754P1  | Retainer                     | 282A862P1  | Friction Plug for Brake Shoe        |
| 282A755P1  | Retainer                     | 282A862P2  | Friction Plug for Brake Shoe        |
| 282A758P1  | Spring Seat                  | 282A862P3  | Friction Plug for Brake Shoe        |
| 282A760P1  | Armature Gap Indicator       | 282A862P4  | Friction Plug for Brake Shoe        |
| 282A761P1  | Retaining Plate              | 282A862P5  | Friction Plug for Brake Shoe        |
| 282A762P1  | Pivot Pin for Yoke           | 282A862P6  | Friction Plug for Brake Shoe        |
| 282A762P2  | Pivot Pin for Yoke           | 282A864P3  | Bearing Pin, replace with 287A121P3 |
| 282A762P3  | Pivot Pin for Yoke           | 282A865P1  | Spacer For Pivot Arm                |
| 282A762P4  | Pivot Pin for Yoke           | 282A865P3  | Spacer for Pivot Arm                |
| 282A762P5  | Pivot Pin for Yoke           | 282A867P1  | Manual-Release Rod                  |
| 282A762P6  | Pivot Pin for Yoke           | 282A867P2  | Manual-Release Rod                  |
| 282A763P1  | Seal                         | 282A867P3  | Manual-Release Rod                  |
| 282A763P2  | Seal                         | 282A869P1  | Guide Pin for Spring                |
| 282A763P3  | Seal                         | 282A869P11 | Guide Pin for Spring                |
| 282A763P4  | Seal                         | 282A869P12 | Guide Pin for Spring                |
| 282A763P5  | Seal                         | 282A869P14 | Guide Pin for Spring                |
| 282A765P1  | Spring Seat                  | 282A869P4  | Guide Pin for Spring                |
| 282A766P1  | Armature Gap Indicator       | 282A869P7  | Guide Pin for Spring                |
| 282A767P1  | Shim between Magnet Core     | 282A871P1  | Bushing For Armature                |
| 282A767P2  | Shim between Magnet Core     | 282A872P1  | Tie Stud                            |
| 282A768P1  | Adj. Screw for Torque Spring | 282A872P2  | Tie Stud                            |
| 282A768P2  | Adj. Screw for Torque Spring | 282A872P4  | Tie Stud                            |
| 282A768P3  | Adj. Screw for Torque Spring | 282A872P5  | Tie Stud                            |
| 282A768P4  | Adjusting Screw              | 282A872P6  | Tie Stud                            |
| 282A768P5  | Adjusting Screw              | 282A873P1  | Magnet Core                         |
| 282A768P6  | Adjusting Screw              | 282A875P1  | Clamp for Lining, Lower             |
| 282A770P10 | Thrust Washer                | 282A875P10 | Clamp for Lining                    |
| 282A770P11 | Thrust Washer                | 282A875P11 | Clamp for Lining                    |
| 282A770P13 | Washer                       | 282A875P12 | Clamp for Lining                    |
| 282A770P4  | Washer                       | 282A875P2  | Clamp for Lining, Lower             |
| 282A770P6  | Thrust Washer                | 282A875P3  | Clamp for Lining, Lower             |
| 282A770P7  | Thrust Washer                | 282A875P4  | Clamp for Lining                    |
| 282A770P8  | Thrust Washer                | 282A875P5  | Clamp for Lining                    |
| 282A770P9  | Thrust Washer                | 282A875P6  | Clamp for Lining                    |
| 282A772P1  | Armature Gap Indicator       | 282A875P7  | Clamp for Lining, Upper             |
| 282A774P1  | Spring Seat                  | 282A875P8  | Clamp for Lining, Upper             |
| 282A775P1  | Dust Cap                     | 282A875P9  | Clamp for Lining, Upper             |
| 282A775P2  | Dust Cap                     | 282A878P1  | Spring Seat                         |
| 282A775P3  | Dust Cap                     | 282A879P1  | Spring Seat                         |
| 282A775P4  | Dust Cap                     | 282A883P1  | Back Plate                          |
| 282A775P5  | Dust Cap                     | 282A885P1  | Armature Gap Indicator              |
| 282A775P6  | Dust Cap                     | 282A886P1  | Spring Seat for Torque Spring       |
| 282A796P1  | Stop Bracket for Tie Rod     | 282A886P2  | Spring Seat for Torque Spring       |
| 282A796P2  | Stop Bracket for Tie Rod     | 282A886P3  | Spring Seat for Torque Spring       |
| 282A797P1  | Bushing for Armature         | 282A886P4  | Spring Seat                         |
| 282A798P1  | Bushing for Armature         | 282A886P5  | Spring Seat                         |
| 282A799P1  | Retaining Plate              | 282A888P1  | Spring Seat                         |
| 282A852P1  | Shim between Magnet Core     | 282A892P1  | Spring Seat                         |
| 282A852P2  | Shim                         | 282A893P1  | Slide Shim                          |
| 282A852P3  | Shim                         | 282A893P2  | Slide Shim                          |
| 282A852P4  | Shim                         | 282A898P1  | Bushing for Armature                |
| 282A856P1  | Magnet Core                  | 2833562G3  | Blowout Coil                        |
| 282A857P1  | Bushing for Armature         | 2833562G4  | Blowout Coil                        |



This document utilizes an interactive table of contents to help you jump from one section to another. Click the button to return to the table of contents.

**RETURN TO  
TABLE OF CONTENTS**

**BRAKES**

- FORM C103AA DC MAGNETIC BRAKE
- IC9528 A100 8" BRAKE
- IC9528 A101 10" BRAKE
- IC9528 A102 13" BRAKE
- IC9528 A103 16" BRAKE
- IC9528 A104 19" BRAKE
- IC9528 A105 23" BRAKE

**INDEX**

| OEM NUM    | DESCRIPTION                      | OEM NUM    | DESCRIPTION                    |
|------------|----------------------------------|------------|--------------------------------|
| 2833563G1  | Pole Piece w/Magnet Core         | 29169      | Contact Block                  |
| 2833563G2  | Pole Piece                       | 29362      | Contact                        |
| 2834917G2  | Arm                              | 29363      | Contact                        |
| 2835606G1  | Coil                             | 29375      | Contact                        |
| 2841029G4  | Brake Shoe, 3-7/32 Diameter      | 29376      | Contact                        |
| 2841044G3  | Pin for Operating Lever and Yoke | 29377      | Contact                        |
| 2841045G4  | Back Stop Assembly               | 29378      | Contact                        |
| 2841048G18 | Brake Shoe with Lining, 5-3/4"   | 29379      | Contact                        |
| 2841048G3  | Brake Shoes w/Linings, 11"       | 29380      | Contact                        |
| 2841048G6  | Brake Shoe w/Lining, 8"          | 29381      | Contact                        |
| 2841052G1  | Connection Rod                   | 29383      | Pin                            |
| 2841053G1  | Spring Seat, Inner               | 298776     | Screw                          |
| 2841055G4  | Brake Shoe with Lining, 4-15/32" | 298777     | Screw                          |
| 2841061G1  | Connecting Rod                   | 3020084    | Coil                           |
| 2841080G02 | Guide, Front                     | 3020201    | Coil                           |
| 2841080G1  | Guide, Rear                      | 3020914    | Coil                           |
| 284A994-G2 | Shunt                            | 3021092    | Coil                           |
| 284B425-G2 | Shunt                            | 3021094    | Coil                           |
| 285A820P1  | Spring Seat                      | 3021096    | Coil                           |
| 285A839P1  | Rocker Pin for Tie Rod           | 3021098    | Coil                           |
| 285A839P2  | Rocker Pin for Tie Rod           | 3021764    | Coil                           |
| 285A839P3  | Rocker Pin for Tie Rod           | 3021958    | Coil                           |
| 285A839P4  | Rocker Pin                       | 3022081    | Coil                           |
| 285A839P5  | Rocker Pin                       | 3022082    | Coil                           |
| 285A839P6  | Rocker Pin                       | 3022084    | Coil                           |
| 286A113P27 | Set Screw                        | 3022114    | Coil                           |
| 28700      | Contact                          | 3022115    | Coil                           |
| 287A103    | Insulation Flange                | 3022116    | Coil                           |
| 287A120P1  | Pivot Pin For Yoke               | 3022145    | Coil                           |
| 287A120P2  | Pivot Pin For Yoke               | 3022146    | Coil                           |
| 287A120P3  | Pivot Pin For Yoke               | 3022147    | Coil                           |
| 287A120P4  | Pivot Pin For Yoke               | 3022148    | Coil                           |
| 287A120P5  | Pivot Pin For Yoke               | 3023801    | Coil                           |
| 287A120P6  | Pivot Pin For Yoke               | 3024262    | Coil                           |
| 287A121P1  | Bearing Pin For RH Yoke          | 3024265    | Coil                           |
| 287A121P2  | Bearing Pin For RH Yoke, SS      | 3027745    | Coil                           |
| 287A121P3  | Bearing Pin For RH Yoke          | 3027876    | Coil                           |
| 287A121P32 | Pin                              | 3027959    | Coil                           |
| 287A121P4  | Bearing Pin For RH Yoke          | 30358      | Contact Tip                    |
| 287A121P5  | Bearing Pin For RH Yoke          | 30434      | Contact Tip                    |
| 287A121P6  | Bearing Pin For RH Yoke          | 305A4800P1 | Lining And Sup. Plate Assy.    |
| 287A122P1  | Bearing Pin For LH Yoke          | 305A4800P2 | Bonded Lining & Support Plate  |
| 287A122P2  | Bearing Pin For LH Yoke          | 305A4800P3 | Lining And Support Plate Assy. |
| 287A122P3  | Bearing Pin For LH Yoke          | 305A4800P4 | Lining And Support Plate Assy. |
| 287A122P33 | Pin                              | 305A4800P5 | Bonded Lining & Support Plate  |
| 287A122P36 | Bearing Pin for LH Yoke          | 305A4800P6 | Lining & Support Plate         |
| 287A122P4  | Bearing Pin For LH Yoke          | 305A4871G2 | Link & Pin Assy.               |
| 287A122P5  | Bearing Pin For LH Yoke          | 30683      | Contact Tip                    |
| 287A122P6  | Bearing Pin For LH Yoke          | 30B4265G17 | Coil                           |
| 287A123P1  | Bearing Pin                      | 311V218    | Contact                        |
| 287A125P2  | Stainless Steel Rocker Pin       | 3121958    | Coil                           |
| 287A125P3  | Stainless Steel Rocker Pin       | 3122083    | Coil                           |
| 287A125P4  | Stainless Steel Rocker Pin       | 3122101    | Coil                           |
| 287A125P5  | Stainless Steel Rocker Pin       | 3122101    | Coil                           |
| 287A125P6  | Stainless Steel Rocker Pin       | 3175400    | Coil                           |
| 287A144    | Spring Seat                      | 3175750    | Coil                           |
| 287A162P3  | Contact                          | 3175751    | Coil                           |
| 287B125P1  | Stainless Steel Rocker Pin       | 3175756    | Coil                           |
| 28847      | Contact                          | 3191065    | Coil                           |
| 29165      | Contact Block                    | 3193571    | Coil                           |
| 29166      | Contact Block                    | 3198256    | Coil                           |
| 29167      | Contact Block                    | 3198257    | Coil                           |
| 29168      | Contact Block                    | 3198601    | Coil                           |

| OEM NUM    | DESCRIPTION                  | OEM NUM    | DESCRIPTION           |
|------------|------------------------------|------------|-----------------------|
| 3198602    | Coil                         | 34222      | Contact               |
| 3198605    | Coil                         | 34223      | Contact               |
| 3198630    | Coil                         | 34224      | Contact               |
| 3198631    | Coil                         | 34350      | Binding Post          |
| 3198828    | Coil                         | 34401      | Contact               |
| 3198840    | Coil                         | 348997     | Contact               |
| 3198844    | Coil                         | 348998     | Contact               |
| 3198847    | Coil                         | 348999     | Contact               |
| 3198878    | Coil                         | 34X919     | Bolt                  |
| 3198884    | Coil                         | 3621707G2  | Blowout Coil          |
| 3199019    | Coil                         | 3641050G1  | Spring Seat, Inner    |
| 3199037    | Coil                         | 3641051P1  | Brake Shoe Only       |
| 3199049    | Coil                         | 3641064P2  | Brake Shoe            |
| 3199065    | Coil                         | 3647907P1  | Yoke, LH Front & Rear |
| 3199069    | Coil                         | 3647907P2  | Yoke, RH Front        |
| 3199069-93 | Coil                         | 3647907P3  | Yoke, RH Rear         |
| 3199211    | Coil                         | 3647908P14 | Operating Lever       |
| 3199329    | Coil                         | 3647928P3  | Spring Seat, Outer    |
| 3199700    | Coil                         | 3647938P2  | Operating Arm         |
| 3199707    | Coil                         | 365441     | Contact               |
| 3199859    | Coil                         | 365445     | Contact               |
| 3199860    | Coil                         | 365448     | Contact               |
| 3199865    | Coil                         | 366A732G1  | Coil                  |
| 3199877    | Coil                         | 366A732G7  | Coil                  |
| 3199887    | Coil                         | 366A772G1  | Coil                  |
| 3205016G2  | Coil                         | 366A772G3  | Coil                  |
| 3206886G76 | Coil                         | 36773      | Contact               |
| 3210057    | Coil                         | 36964      | Contact               |
| 32373      | Tension Spring               | 37579      | Contact               |
| 323A1972P1 | Stainless Steel Armature Pin | 37683      | Contact               |
| 323A1972P2 | Bearing Pin                  | 37749      | Contact               |
| 323A1972P3 | Bearing Pin                  | 37770      | Contact               |
| 323A1972P4 | Bearing Pin                  | 37772      | Contact               |
| 3240057    | Coil                         | 37900      | Contact               |
| 3243133    | Coil                         | 37902      | Contact               |
| 3245002    | Coil                         | 37904      | Contact               |
| 3245003    | Coil                         | 37905      | Contact               |
| 33602      | Contact                      | 37906      | Contact               |
| 33789      | Contact                      | 37911      | Contact               |
| 33802      | Contact                      | 37913      | Contact               |
| 33814      | Terminal                     | 37918      | Contact               |
| 33837      | Contact                      | 37922      | Contact               |
| 33838      | Contact                      | 37924      | Contact               |
| 33839      | Contact                      | 37929      | Contact               |
| 33840      | Contact                      | 37930      | Contact               |
| 33841      | Contact                      | 37939      | Contact               |
| 33842      | Contact                      | 37946      | Contact               |
| 33843      | Contact                      | 37947      | Contact               |
| 33844      | Contact                      | 37949      | Contact               |
| 33845      | Contact                      | 37954      | Contact               |
| 33846      | Contact                      | 37973      | Contact               |
| 341581     | Contact                      | 37976      | Contact               |
| 34211      | Contact                      | 37980      | Contact               |
| 34212      | Contact                      | 37989      | Contact               |
| 34213      | Contact                      | 37994      | Contact               |
| 34214      | Contact                      | 380109     | Contact               |
| 34215      | Contact                      | 3814040P1  | Yoke, LH              |
| 34216      | Contact                      | 3814065P1  | Operating Lever       |
| 34217      | Contact                      | 3814070G1  | Conduit Box           |
| 34218      | Contact                      | 3814070P2  | Conduit Box           |
| 34219      | Contact                      | 3818928P1  | Magnet Frame          |
| 34220      | Contact                      | 3818928P2  | Top Cover             |
| 34221      | Contact                      | 3818987G2  | Base                  |

This document utilizes an interactive table of contents to help you jump from one section to another. Click the button to return to the table of contents.

**RETURN TO  
TABLE OF CONTENTS**

**BRAKES**

- FORM C103AA DC MAGNETIC BRAKE
- IC9528 A100 8" BRAKE
- IC9528 A101 10" BRAKE
- IC9528 A102 13" BRAKE
- IC9528 A103 16" BRAKE
- IC9528 A104 19" BRAKE
- IC9528 A105 23" BRAKE

**INDEX**

This document utilizes an interactive table of contents to help you jump from one section to another. Click the button to return to the table of contents.

**RETURN TO  
TABLE OF CONTENTS**

**BRAKES**

- FORM C103AA DC MAGNETIC BRAKE
- IC9528 A100 8" BRAKE
- IC9528 A101 10" BRAKE
- IC9528 A102 13" BRAKE
- IC9528 A103 16" BRAKE
- IC9528 A104 19" BRAKE
- IC9528 A105 23" BRAKE

**INDEX**

| OEM NUM           | DESCRIPTION              | OEM NUM          | DESCRIPTION                        |
|-------------------|--------------------------|------------------|------------------------------------|
| 382332.....       | Contact                  | 4379461-G2 ..... | Contact                            |
| 38582.....        | Contact                  | 437972P1 .....   | Spring Seat For Compression Spring |
| 38583.....        | Contact                  | 438378.....      | Contact                            |
| 38584.....        | Contact                  | 43928.....       | Contact                            |
| 3858486P4 .....   | Yoke, RH                 | 43929.....       | Contact                            |
| 3860962G2.....    | Movable Contact Strip    | 439730.....      | Contact Tip                        |
| 3860962G3.....    | Stationary Contact Strip | 439731.....      | Contact Tip                        |
| 3863715P14 .....  | Palnut                   | 460-393 .....    | Coil                               |
| 3865674G1.....    | Support                  | 460466.....      | Contact                            |
| 38663.....        | Fuse                     | 461756.....      | Contact                            |
| 3899938G1.....    | Bearing                  | 461758.....      | Contact                            |
| 390B203G13 .....  | Coil                     | 461762.....      | Contact                            |
| 393B103G20 .....  | Coil                     | 461764.....      | Contact                            |
| 393B203G15 .....  | Coil                     | 461889.....      | Contact                            |
| 393B203G16 .....  | Coil                     | 46245.....       | Contact                            |
| 393B203G18 .....  | Coil                     | 465525.....      | Contact                            |
| 393B203G19 .....  | Coil                     | 467157.....      | Contact                            |
| 393B203G21 .....  | Coil                     | 469252.....      | Contact                            |
| 393B203G5 .....   | Coil                     | 46X784 .....     | Cap Screw                          |
| 393B207G .....    | Coil                     | 46X801 .....     | Screw                              |
| 393B207G2 .....   | Coil                     | 46X820.....      | Screw                              |
| 394B561P1 .....   | Back Plate, Outer        | 4702517.....     | Contact                            |
| 394B562P1 .....   | Back Plate, Outer        | 4702576.....     | Contact                            |
| 394B563P1 .....   | Back Plate, Outer        | 4703911.....     | Finger                             |
| 394B588P1 .....   | Back Plate, Inner        | 4704439.....     | Contact                            |
| 394B589P1 .....   | Back Plate, Inner        | 4708341.....     | Contact                            |
| 394B590P1 .....   | Back Plate, Inner        | 4709042.....     | Contact                            |
| 395057.....       | Contact                  | 4711041.....     | Contact                            |
| 395059.....       | Contact                  | 4711042.....     | Contact                            |
| 395063.....       | Contact                  | 4712138.....     | Contact                            |
| 395110.....       | Contact                  | 4712139.....     | Contact                            |
| 395111.....       | Contact                  | 4712567.....     | Contact                            |
| 395112.....       | Contact                  | 4712999.....     | Contact                            |
| 395113.....       | Contact                  | 4715358.....     | Contact                            |
| 395115.....       | Contact                  | 47178.....       | Contact                            |
| 39922.....        | Contact                  | 47188.....       | Contact                            |
| 39X529 .....      | Spring                   | 472027.....      | Contact                            |
| 400037.....       | Screw                    | 472092.....      | Contact                            |
| 404747.....       | Nut                      | 472094.....      | Contact Tip                        |
| 40481.....        | Contact                  | 472176.....      | Contact Tip                        |
| 40482.....        | Contact                  | 472180.....      | Contact Tip                        |
| 40483.....        | Contact                  | 472194.....      | Contact Tip                        |
| 404926.....       | Binding Post             | 472406.....      | Contact Tip                        |
| 411349.....       | Spring Seat              | 472466.....      | Contact Tip                        |
| 411660.....       | Clip-Single              | 472507.....      | Contact Tip                        |
| 411660.....       | Clip-Double              | 47309.....       | Washer                             |
| 413577.....       | Contact                  | 4735399.....     | Coil                               |
| 414495.....       | Contact                  | 4739181.....     | Coil                               |
| 414568.....       | Plate                    | 4739194.....     | Coil                               |
| 416682.....       | Contact                  | 4739194.....     | Coil                               |
| 416687.....       | Contact                  | 4739194G1.....   | Coil                               |
| 4167739.....      | Finger                   | 4739270.....     | Coil                               |
| 41A254311P1 ..... | Contact                  | 473929.....      | Contact Tip                        |
| 41B550098G1 ..... | Shunt                    | 473930.....      | Contact                            |
| 41C59301P2.....   | Shunt                    | 4739333.....     | Coil                               |
| 41C659301P2.....  | Shunt                    | 4739357.....     | Coil                               |
| 42548.....        | Contact                  | 473936.....      | Contact                            |
| 4310473G2.....    | Bearing                  | 4739365.....     | Coil                               |
| 431147.....       | Contact                  | 4739368.....     | Coil                               |
| 4327062-9 .....   | Coil                     | 4739369.....     | Coil                               |
| 4338327-G1 .....  | Shunt                    | 4739380.....     | Coil                               |
| 4371412GR1 .....  | Silver Tipped Contact    | 4739399.....     | Coil                               |
| 4371412GR2 .....  | Silver Tipped Contact    | 4739451.....     | Coil                               |

This document utilizes an interactive table of contents to help you jump from one section to another. Click the button to return to the table of contents.

**RETURN TO  
TABLE OF CONTENTS**

**BRAKES**

- FORM C103AA DC MAGNETIC BRAKE
- IC9528 A100 8" BRAKE
- IC9528 A101 10" BRAKE
- IC9528 A102 13" BRAKE
- IC9528 A103 16" BRAKE
- IC9528 A104 19" BRAKE
- IC9528 A105 23" BRAKE

**INDEX**

| OEM NUM    | DESCRIPTION                        | OEM NUM   | DESCRIPTION                  |
|------------|------------------------------------|-----------|------------------------------|
| 4739452    | Coil                               | 51426     | Contact                      |
| 4739472    | Coil                               | 5144457   | Torque Spring, Outer         |
| 4739477    | Coil                               | 5144457P1 | Spring, Outer                |
| 4748599-G1 | Shunt                              | 5144458   | Torque Spring, Inner         |
| 4748599-G2 | Shunt                              | 5144458P1 | Torque Spring, Inner         |
| 4748599-G3 | Shunt                              | 5144464   | Spring for Friction Plug     |
| 4750260    | Contact                            | 5144464P1 | Spring For Friction Plug     |
| 4760521    | Contact                            | 5144467   | Torque Spring                |
| 480385     | Contact Tip                        | 5144467P1 | Torque Spring                |
| 482A946G2  | Contact Tip                        | 5144470   | Torque Spring                |
| 487A563G1  | Contact                            | 5144470P1 | Torque Spring                |
| 487A664-P1 | Contact                            | 5144472   | Torque Spring                |
| 489737P1   | Screw                              | 5144472P1 | Torque Spring                |
| 48X38      | Screw                              | 5144473   | Compression Spring           |
| 4900770G1  | Support                            | 5144473P1 | Compression Spring           |
| 4900770G2  | Support                            | 5144474   | Compression Spring           |
| 4900774G1  | Set of Brake Linings w/Rivets      | 5144474P1 | Compression Spring           |
| 4900774G3  | Set of Brake Linings w/Rivets      | 5144475   | Torque Spring                |
| 4900774G4  | Set of Brake Linings w/Rivets      | 5144475P1 | Torque Spring                |
| 4900774G5  | Set of Brake Linings w/Rivets      | 5144476   | Spring for Friction Plug     |
| 4900774G6  | Set of Brake Linings w/Rivets      | 5144476P1 | Spring For Friction Plug     |
| 4902477G1  | Connection Stud for 1"-1-1/2" Base | 5144480   | Torque Spring                |
| 4902477G2  | Connection Stud for 2" Base        | 5144480P1 | Torque Spring                |
| 49092      | Contact                            | 5144482   | Compression Spring           |
| 49093      | Contact                            | 5144482P1 | Compression Spring           |
| 49094      | Contact                            | 5144483   | Compression Spring           |
| 49108      | Connector                          | 5144483P1 | Compression Spring           |
| 49113      | Connector                          | 5144484   | Compression Spring           |
| 491344     | Contact                            | 5144484P1 | Compression Spring           |
| 492637     | Contact                            | 51445     | Contact                      |
| 4927032    | Arc Chute Side, LH                 | 514457P1  | Torque Spring, Outer         |
| 4927033    | Arc Chute Side, RH                 | 51446     | Contact                      |
| 49326      | Contact                            | 51447     | Contact                      |
| 49327      | Contact                            | 51448     | Contact                      |
| 49328      | Contact                            | 51449     | Contact                      |
| 49329      | Contact                            | 51450     | Contact                      |
| 4951870G1  | Arc Chute                          | 51451     | Contact                      |
| 4959811G1  | Shunt                              | 51452     | Contact                      |
| 4959814P2  | Insulated Shaft                    | 51453     | Contact                      |
| 4961080P5  | Support                            | 51454     | Contact                      |
| 4961080P6  | Operating Rod                      | 51455     | Contact                      |
| 4962570G5  | Armature                           | 51456     | Contact                      |
| 4962577G4  | Top Brake Shoe w/Lining            | 51457     | Contact                      |
| 4962577G5  | Middle Brake Shoe w/Lining         | 51458     | Contact                      |
| 4962577G6  | Armature Brake Shoe w/Lining       | 5151779   | Contact                      |
| 4962580G3  | Armature                           | 5152901   | Long Connection Stud         |
| 4962584G4  | Top Brake Shoe w/Lining            | 5152950   | Locking Plate                |
| 4962584G5  | Middle Brake Shoe w/Lining         | 51643     | Contact Base                 |
| 4962584G6  | Armature Brake Shoe w/Lining       | 5188824P6 | Rivets                       |
| 4962585G4  | Base with Side Plate, Rear         | 5189824P2 | Lining Rivets                |
| 4964259p1  | Stop Arm                           | 5189824P5 | Rivets                       |
| 4964259P2  | Clamp                              | 5196330G1 | Coil                         |
| 4964259P3  | Shim                               | 5196330G2 | Blowout Coil                 |
| 4964260G1  | Bearing                            | 5196330G3 | Blowout Coil                 |
| 4964260G2  | Bearing                            | 5199602G4 | Top Brake Shoe with Lining   |
| 4964261G1  | Magnet Frame                       | 5199602G5 | Middle Brake Shoe w/Lining   |
| 4964261P2  | Armature                           | 5199602G6 | Armature Brake Shoe w/Lining |
| 4964262G1  | Support                            | 5199603G4 | Armature                     |
| 4964262P3  | Clamp                              | 5199605G3 | Base with Side Plate, Front  |
| 4964262P4  | Interlock Arm                      | 5199605G4 | Base with Side Plate, Rear   |
| 4969051-1  | Coil                               | 5199680G3 | Base with Side Plate, Front  |
| 498560     | Washer                             | 5199681G4 | Top Brake Shoe w/Lining      |
| 50X970     | Cap Screw                          | 5199681G5 | Middle Brake Shoe w/Lining   |

This document utilizes an interactive table of contents to help you jump from one section to another. Click the button to return to the table of contents.

**RETURN TO  
TABLE OF CONTENTS**

**BRAKES**

- FORM C103AA DC MAGNETIC BRAKE
- IC9528 A100 8" BRAKE
- IC9528 A101 10" BRAKE
- IC9528 A102 13" BRAKE
- IC9528 A103 16" BRAKE
- IC9528 A104 19" BRAKE
- IC9528 A105 23" BRAKE

**INDEX**

| OEM NUM    | DESCRIPTION                  | OEM NUM   | DESCRIPTION                    |
|------------|------------------------------|-----------|--------------------------------|
| 5199681G6  | Armature Brake Shoe w/Lining | 5355413   | Guide Block                    |
| 5199688G4  | Armature                     | 5355415   | Adjusting Stud                 |
| 51X202     | Cap Screw                    | 5355416   | Screw                          |
| 51X213     | Lining With Rivets           | 5355417   | Fulcrum Lever                  |
| 5300313    | Contact                      | 5355418   | Strap                          |
| 5300830-G1 | Shunt                        | 5355419   | Nut                            |
| 5300851-G1 | Shunt                        | 5355420   | Operating Lever                |
| 5303515-G1 | Shunt                        | 5355421   | Spacer Tube                    |
| 5303568-G1 | Shunt                        | 5355422   | Spacer Tube                    |
| 5304778-G1 | Shunt                        | 5355423   | Spacer                         |
| 5306170G2  | Silver Contact Tip           | 5355426   | Spacer for Pivot Pin           |
| 5306221G1  | Core for Operating Coil      | 5355427P1 | Guide                          |
| 5306222P1  | Support for Operating Coil   | 5355428P2 | Link for Armature Brake Shoe   |
| 5306224G1  | Adj. Bracket w/Guide Block   | 5355429P2 | Link                           |
| 5306227P2  | Support for Magnet Plate     | 5355430   | Brass Shim                     |
| 5306230P3  | Clevis Rod                   | 5355461   | Spacer Tube                    |
| 5306233G1  | Stationary Spring Seat       | 5355462   | Spacer Tube                    |
| 5306233P3  | Bottom Channel               | 5355464   | Bolt                           |
| 5306242G1  | Stationary Spring Seat       | 5355465   | Adjusting Stud                 |
| 5306242P3  | Bottom Channel               | 5355467   | Nut                            |
| 5306243P1  | Support for Operating Coil   | 5355470   | Operating Lever                |
| 5306247G1  | Core for Operating Coil      | 5355471   | Fulcrum Lever                  |
| 5306249P2  | Support for Magnet Plate     | 5355472   | Strap for Support              |
| 5306253G1  | Adjustment Bracket           | 5355473P2 | Link/Top & Middle Brake Shoe   |
| 5306255P3  | Clevis Rod                   | 5355474   | Guide Block                    |
| 5306258G1  | Movable Spring Seat w/Pins   | 5355475P2 | Link for Armature Brake Shoe   |
| 5306282P2  | Support for Magnet Table     | 5355476   | Guide for Middle Shoe          |
| 5306283G1  | Stationary Spring Seat       | 5355477   | Spacer for Top and Middle Link |
| 5306283P3  | Bottom Channel               | 5355479   | Brass Shim for Armature        |
| 5306291P3  | Clevis Rod                   | 5355480   | Spacer                         |
| 5306292G1  | Movable Spring Seat w/Pins   | 5355481   | Bolt                           |
| 5306293P1  | Support for Operating Coil   | 5355485   | Pivot Pin                      |
| 5306294G1  | Adj. Bracket w/Guide Block   | 5355486   | Pin for Armature Brake Shoe    |
| 5306829-G1 | Shunt                        | 5355487   | Spacer for Armature Link       |
| 5308762P3  | Clevis Rod                   | 5355487   | Spacer for Armature Link       |
| 5308763G1  | Stationary Spring Seat       | 5356485   | Pivot Pin                      |
| 5308763P3  | Bottom Channel               | 5358501   | Spacer Tube                    |
| 5308764P1  | Support for Operating Coil   | 5358502   | Spacer Tube                    |
| 5308765G1  | Movable Spring Seat w/Pins   | 5358504   | Bolt                           |
| 5308765G2  | Movable Spring Seat w/Pins   | 5358505   | Adjusting Stud                 |
| 5308768G1  | Core for Operating Coil      | 5358507   | Nut                            |
| 5308770P2  | Support for Magnet Plate     | 5358510   | Operating Lever                |
| 5308774G1  | Adjustment Bracket           | 5358511   | Fulcrum Lever                  |
| 5341061P2  | Support for Magnet Plate     | 5358512   | Strap for Support              |
| 5341062G1  | Stationary Spring Seat       | 5358513P2 | Link/Top & Middle Brake Shoe   |
| 5341062P3  | Bottom Channel               | 5358514   | Guide Block                    |
| 5341070P3  | Clevis Rod                   | 5358515P2 | Link for Armature Brake Shoe   |
| 5341071G1  | Movable Spring Seat w/Pins   | 5358516P1 | Guide for Middle Shoe          |
| 5341072G1  | Core for Operating Coil      | 5358517   | Spacer for Top and Middle Link |
| 5341073P1  | Support for Operating Coil   | 5358519   | Brass Shim for Armature        |
| 5341074G1  | Adj. Bracket w/Guide Block   | 5358520   | Spacer                         |
| 5350495    | Contact                      | 5358521   | Screw                          |
| 5351643    | Contact                      | 5358522   | Bolt                           |
| 5352149    | Contact Tip                  | 5358526   | Pivot Pin                      |
| 5352168    | Contact                      | 5358527   | Pin for Armature Brake Shoe    |
| 5352177    | Contact                      | 5358528   | Spacer for Armature Link       |
| 5352570    | Shim                         | 5359523   | Nut                            |
| 5354901    | Contact                      | 5359526   | Pin for Armature Brake         |
| 5354901-G2 | Contact                      | 5359527   | Pivot Pin                      |
| 5355401    | Pivot Pin                    | 5359528   | Spacer Tube                    |
| 5355402    | Pin for Armature Brake       | 5359531   | Bolt                           |
| 5355408    | Bolt                         | 5359532   | Bolt                           |
| 5355409    | Bolt                         | 5359533   | Spacer                         |



This document utilizes an interactive table of contents to help you jump from one section to another. Click the button to return to the table of contents.

**RETURN TO  
TABLE OF CONTENTS**

**BRAKES**

- FORM C103AA DC MAGNETIC BRAKE
- IC9528 A100 8" BRAKE
- IC9528 A101 10" BRAKE
- IC9528 A102 13" BRAKE
- IC9528 A103 16" BRAKE
- IC9528 A104 19" BRAKE
- IC9528 A105 23" BRAKE

**INDEX**

| OEM NUM       | DESCRIPTION                  | OEM NUM    | DESCRIPTION                    |
|---------------|------------------------------|------------|--------------------------------|
| 5359534       | Spacer for Armature Link     | 56653      | Contact                        |
| 5359535       | Spacer Tube                  | 56654      | Contact                        |
| 5359536P2     | Link                         | 56662      | Contact                        |
| 5359537P2     | Link for Armature Brake Shoe | 56663      | Contact                        |
| 5359538       | Operating Lever              | 56771      | Contact                        |
| 5359541       | Guide Block                  | 56772      | Connecting Bar                 |
| 5359542       | Screw                        | 56822      | Plate                          |
| 5359543       | Adjusting Stud               | 56831      | Contact                        |
| 5359544P1     | Guide                        | 56866      | Contact Base                   |
| 5359545       | Fulcrum Lever                | 56873      | Contact Base                   |
| 5359546       | Strap                        | 572A368G2  | Insulated Shaft                |
| 5359547       | Brass Shim                   | 573A608P1  | Bushing for Yoke               |
| 5359549       | Spacer for Pivot Pin         | 573A608P10 | Bushing for Armature           |
| 5371351G3     | Base with Side Plate, Front  | 573A608P11 | Bushing for Armature           |
| 5371351G4     | Base with Side Plate, Rear   | 573A608P12 | Bushing For Armature           |
| 5371352G4     | Top Brake Show w/Lining      | 573A608P13 | Bushing for Armature           |
| 5371352G5     | Middle Brake Shoe w/Lining   | 573A608P2  | Bushing for Yoke               |
| 5371352G6     | Armature Brake Shoe w/Lining | 573A608P3  | Bushing for Yoke               |
| 5371355G4     | Armature                     | 573A608P5  | Bushing for Yoke               |
| 5381335       | Pin for Armature Brake Shoe  | 573A608P7  | Bushing for Yoke               |
| 5381338       | Bolt                         | 573A608P8  | Bushing for Armature           |
| 5381339       | Spacer                       | 573A608P9  | Bushing for Yoke               |
| 5381340       | Spacer for Armature Link     | 5759047-G1 | Contact                        |
| 5381341       | Spacer Tube                  | 5759047-G2 | Contact                        |
| 5381342       | Spacer Tube                  | 576A106P1  | Bearing Pin                    |
| 5381343P2     | Link                         | 576A112P1  | Base for Relay                 |
| 5381344P2     | Link for Armature Brake Shoe | 576A113P1  | Base for Relay                 |
| 5381345       | Core for Operating Coil      | 576A117P1  | Operating Arm                  |
| 5381347       | Guide Block                  | 576A123P1  | Support for Armature           |
| 5381348       | Screw                        | 576A145P4  | Screw                          |
| 5381349       | Adjusting Stud               | 577A101P5  | Pipe Plug                      |
| 5381350P1     | Guide                        | 577A124P1  | Set Screw for Brake Shoe       |
| 5381351       | Fulcrum Lever                | 577A124P2  | Set Screw for Brake Shoe       |
| 5381352       | Strap                        | 577A124P2  | Set Screw for Armature         |
| 5381353       | Brass Shim                   | 577A124P3  | Set Screw for Brake Shoe       |
| 5381355       | Spacer for Pivot Pin         | 577A124P4  | Set Screw for Brake Shoe       |
| 5383952       | Insulation Sleeve            | 577A124P4  | Set Screw for Armature         |
| 5384963       | Contact                      | 577A129P11 | Tube                           |
| 5386047       | Contact                      | 577A129P12 | Tube                           |
| 541A900-P1    | Contact                      | 577A129P28 | Tube                           |
| 543A408-P1    | Contact                      | 577A129P7  | Tube                           |
| 543A800-G1    | Contact Finger               | 577A129P8  | Tube                           |
| 544A881-G1    | Contact Finger               | 577A129P9  | Tube                           |
| 545A398       | Contact Finger               | 577A138P6  | Cleat for Operating Coil Lead  |
| 545A507       | Contact                      | 577A142P17 | Spacer for Tie Rod             |
| 5508666       | Contact Tip                  | 577A142P18 | Spacer for Tie Rod             |
| 55-150161G2   | Kit                          | 577A142P19 | Spacer for Tie Rod             |
| 55-150161G3   | Kit                          | 577A142P20 | Spacer for Tie Rod             |
| 55-15194G2    | Contact Kit                  | 577A142P21 | Spacer for Tie Rod             |
| 55-153472G4   | Coil                         | 577A190P1  | Screw                          |
| 55-154607G002 | Contact Kit, 3 Pole          | 577A190P12 | Screw                          |
| 551G2         | Coil                         | 577A190P13 | Screw                          |
| 551G42        | Coil                         | 577A190P2  | Screw                          |
| 560D747G16    | Coil                         | 577A190P3  | Screw                          |
| 56644         | Contact                      | 577A190P4  | Screw                          |
| 566454        | Contact                      | 577A190P5  | Screw                          |
| 56646         | Contact                      | 577A190P6  | Screw                          |
| 56647         | Contact                      | 577A603-G1 | Shunt                          |
| 56648         | Contact                      | 578A552P2  | Support for Adj. Screw         |
| 56649         | Contact                      | 5900029P1  | Rubber Cable Bushing for Brake |
| 56650         | Contact                      | 5900029P5  | Rubber Cable Bushing           |
| 56651         | Contact                      | 5900096P13 | Bushing                        |
| 56652         | Contact                      | 5900096P14 | Bushing                        |

This document utilizes an interactive table of contents to help you jump from one section to another. Click the button to return to the table of contents.

**RETURN TO  
TABLE OF CONTENTS**

**BRAKES**

- FORM C103AA DC MAGNETIC BRAKE
- IC9528 A100 8" BRAKE
- IC9528 A101 10" BRAKE
- IC9528 A102 13" BRAKE
- IC9528 A103 16" BRAKE
- IC9528 A104 19" BRAKE
- IC9528 A105 23" BRAKE

**INDEX**

| OEM NUM    | DESCRIPTION                 | OEM NUM     | DESCRIPTION                             |
|------------|-----------------------------|-------------|---|
| 5900096P15 | Bushing for Operating Lever | 65873       | Finger Base                             |
| 5900096P16 | Bushing for Operating Lever | 658C255G03  | Coil                                    |
| 5903901G1  | Hinge Pin                   | 66343P1     | Spring                                  |
| 5903901G2  | Hinge Pin                   | 66720       | Contact                                 |
| 5903901G3  | Hinge Pin                   | 66721       | Contact                                 |
| 5903901G4  | Hinge Pin                   | 66899       | Contact                                 |
| 5908318-G1 | Shunt                       | 66900       | Contact                                 |
| 6017812-P2 | Contact                     | 66901       | Contact                                 |
| 6017812-P4 | Contact                     | 66902       | Contact                                 |
| 6024044-G2 | Shunt                       | 66903       | Contact                                 |
| 6047538    | Contact                     | 66904       | Contact                                 |
| 6078420    | Contact                     | 66905       | Contact                                 |
| 612866C10  | Coil                        | 6700277     | Contact                                 |
| 612866G    | Coil                        | 6712788     | Contact                                 |
| 6174314G19 | Coil                        | 6713304     | Contact                                 |
| 6174513G12 | Coil                        | 6713749     | Contact                                 |
| 6174513G7  | Coil                        | 6714294     | Contact                                 |
| 6174582G23 | Coil                        | 67459       | Contact                                 |
| 6174594G1  | Coil                        | 67460       | Contact                                 |
| 6174594G3  | Coil                        | 68255       | Contact                                 |
| 617513G5   | Coil                        | 68A993017G1 | Coil                                    |
| 6178377    | Contact                     | 6908543     | Contact Finger                          |
| 61844      | Contact                     | 6955638     | Support for Adjusting Screw             |
| 61845      | Contact                     | 6960040G10  | Coil                                    |
| 61907      | Contact                     | 6960040G2   | Coil                                    |
| 61908      | Contact                     | 6960040G7   | Coil                                    |
| 6275084    | Coil                        | 6960051-G12 | Contact                                 |
| 6275084G2  | Coil                        | 6960051-G13 | Contact                                 |
| 6293206G9  | Coil                        | 6960051-G14 | Contact                                 |
| 6306768G4  | Coil                        | 6960051-G22 | Contact                                 |
| 6306774G37 | Coil                        | 6960051-G25 | Contact                                 |
| 6306774G39 | Coil                        | 6960051-G26 | Contact                                 |
| 6306774G58 | Coil                        | 6960051-G27 | Contact                                 |
| 64049      | Contact                     | 6960051-G28 | Contact                                 |
| 64050      | Contact                     | 6960051-G34 | Contact                                 |
| 64051      | Contact                     | 6960051-G35 | Contact                                 |
| 64052      | Contact                     | 6960051-G36 | Contact                                 |
| 64053      | Contact                     | 6960051-G41 | Contact                                 |
| 64054      | Contact                     | 6960051-G43 | Contact                                 |
| 64055      | Contact                     | 6960051-G45 | Contact                                 |
| 64056      | Contact                     | 6960051-G46 | Contact                                 |
| 64057      | Contact                     | 6960051-G48 | Contact                                 |
| 64058      | Contact                     | 6960051-G51 | Contact                                 |
| 64059      | Contact                     | 6960051-G52 | Contact                                 |
| 64060      | Contact                     | 6960051-G57 | Contact                                 |
| 64061      | Contact                     | 6960051-G63 | Contact                                 |
| 64065      | Contact                     | 6960053G2   | Set of Moveable and Stationary Contacts |
| 64066      | Contact                     | 6960053G3   | Set of Moveable and Stationary Contacts |
| 64067      | Contact                     | 6967141     | Coil                                    |
| 64068      | Contact                     | 6969508G1   | Shunt                                   |
| 64069      | Contact                     | 6969508-G1  | Shunt                                   |
| 64070      | Contact                     | 6974718-G2  | Shunt                                   |
| 64071      | Contact                     | 6974772G1   | Movable Contact Tip                     |
| 64072      | Contact                     | 6977142G1   | Pivot Pin                               |
| 64073      | Contact                     | 6977142G2   | Pivot Pin                               |
| 64074      | Contact                     | 6977142G3   | Pivot Pin                               |
| 64075      | Contact                     | 6977142G4   | Pivot Pin w/Link for Armature           |
| 64076      | Contact                     | 6977142G5   | Pivot Pin w/Link for Armature           |
| 64078      | Contact                     | 6977142P10  | Link for Pivot Pin                      |
| 64079      | Contact                     | 6977142P3   | Link                                    |
| 64080      | Contact                     | 6977142P6   | Link                                    |
| 64081      | Contact                     | 6977142P8   | Link for Pivot Pin                      |
| 64082      | Contact                     | 6977143P1   | Shaft for Armature                      |

This document utilizes an interactive table of contents to help you jump from one section to another. Click the button to return to the table of contents.

**RETURN TO  
TABLE OF CONTENTS**

**BRAKES**

- FORM C103AA DC MAGNETIC BRAKE
- IC9528 A100 8" BRAKE
- IC9528 A101 10" BRAKE
- IC9528 A102 13" BRAKE
- IC9528 A103 16" BRAKE
- IC9528 A104 19" BRAKE
- IC9528 A105 23" BRAKE

**INDEX**

| OEM NUM     | DESCRIPTION                    | OEM NUM     | DESCRIPTION                  |
|-------------|--------------------------------|-------------|------------------------------|
| 6977143P2   | Shaft for Armature             | 87X568      | Bolt                         |
| 6977143P3   | Shaft for Armature             | 87X570      | Bolt                         |
| 6977143P4   | Shaft for Armature             | 87X571      | Bolt                         |
| 6977143P5   | Shaft for Armature             | 87X573      | Pin                          |
| 6978608P1   | "L" Shim                       | 8800167     | Contact                      |
| 6978608P2   | "L" Shim                       | 8800168     | Contact                      |
| 6978608P3   | "L" Shim                       | 8800740     | Contact                      |
| 6978608P4   | "L" Shim                       | 8801973     | Contact                      |
| 6978608P5   | "L" Shim                       | 8802270     | Contact                      |
| 6982582G1   | Armature                       | 8802880     | Contact                      |
| 718530      | Contact                        | 8802954     | Contact                      |
| 719889      | Contact                        | 8810879     | Contact                      |
| 719890      | Contact                        | 881617      | Coil                         |
| 719891      | Contact                        | 8860486     | Coil                         |
| 723B245G28  | Switch Unit w/Mounting Bracket | 8867619     | Coil                         |
| 723B245G7   | Switch Unit w/Mounting Bracket | 8867977P1   | Contact                      |
| 723B258G001 | Coil                           | 8867977-P1  | Contact                      |
| 726984      | Contact                        | 8867977-P2  | Contact Tip                  |
| 76439       | Contact                        | 9034003G1   | Moving Contact (with Silver) |
| 764691      | Contact                        | 9034003-G1  | Contact Tip                  |
| 8048527     | Stud                           | 9034003-G2  | Contact Tip                  |
| 8052213     | Pin                            | 9034175-P1  | Contact                      |
| 8052214     | Pin                            | 9034175-P2  | Contact                      |
| 8052215     | Pin                            | 9034269     | Contact                      |
| 8052216     | Pin                            | 9034270-G1  | Shunt                        |
| 8052217     | Pin                            | 9034493P1   | Bracket for Armature         |
| 8052218     | Pin                            | 9034639-G1  | Shunt                        |
| 8052219     | Pin                            | 9098151     | Stationary Shim for Armature |
| 8052220     | Pin                            | 9098152     | Armature                     |
| 8052221     | Pin                            | 9196760P1   | Lock Nut                     |
| 8052222     | Pin                            | 91X453      | Grease Fitting               |
| 8058795     | Clamp for Shims                | 9348300G9   | Blowout Coil                 |
| 8067076G1   | Contact                        | 9397583G1   | Magnet Frame with Core       |
| 8072651G2   | Core                           | 9605677G113 | Coil                         |
| 8077909     | 11" Brake Wheel                | 9644941     | Adjustable Shim for Armature |
| 8087233G1   | Blowout Coil                   | 9645024     | Pin                          |
| 8090348     | Shunt                          | 9645025     | Link                         |
| 8091391G1   | Bearing for Shaft              | 9645027     | Roller                       |
| 8091391G2   | Bearing for Shaft              | 9645237P1   | Roller                       |
| 8091391G3   | Bearing for Shaft              | 9707362-G1  | Contact                      |
| 8091391G4   | Bearing for Shaft              | 9709362-G1  | Contact                      |
| 8091391G5   | Bearing for Shaft              | 9723629-G1  | Contact                      |
| 80X152      | Self-Tapping Screw             | 9723629-G2  | Contact                      |
| 8277679P1   | Pivot Pin                      | 9723633     | Contact                      |
| 8277680P1   | Pivot Pin                      | 9723633-G2  | Contact                      |
| 8277681P1   | Pivot Pin                      | 9723633-G4  | Contact                      |
| 8277682P1   | Pivot Pin                      | 9723633-G6  | Contact                      |
| 8277683P1   | Pivot Pin                      | 972C161G1   | Bearing Pin                  |
| 84X125      | Palnut                         | 972C161G10  | Bearing Pin for Brake Shoe   |
| 851021      | Contact                        | 972C161G11  | Bearing Pin for Brake Shoe   |
| 8616133P1   | Collar                         | 972C161G12  | Bearing Pin for Brake Shoe   |
| 8616134P1   | Pin                            | 972C161G13  | Bearing Pin for Armature     |
| 8617100     | Contact                        | 972C161G14  | Bearing Pin for Armature     |
| 8617333     | Contact                        | 972C161G15  | Bearing Pin for Armature     |
| 8626009P5   | Retaining Washer               | 972C161G16  | Bearing Pin                  |
| 8626928-P1  | Contact                        | 972C161G17  | Bearing Pin                  |
| 8628928-P2  | Contact                        | 972C161G18  | Bearing Pin                  |
| 8650563G4   | Blowout Coil with Support      | 972C161G2   | Bearing Pin                  |
| 8690980     | Contact                        | 972C161G3   | Bearing Pin                  |
| 8690980     | Contact                        | 972C161G4   | Bearing Pin                  |
| 8690992-G1  | Contact                        | 972C161G5   | Bearing Pin                  |
| 87X566      | Screw                          | 972C161G6   | Bearing Pin                  |
| 87X567      | Bolt                           | 972C161G7   | Bearing Pin                  |

This document utilizes an interactive table of contents to help you jump from one section to another. Click the button to return to the table of contents.

**RETURN TO  
TABLE OF CONTENTS**

**BRAKES**

- FORM C103AA DC MAGNETIC BRAKE
- IC9528 A100 8" BRAKE
- IC9528 A101 10" BRAKE
- IC9528 A102 13" BRAKE
- IC9528 A103 16" BRAKE
- IC9528 A104 19" BRAKE
- IC9528 A105 23" BRAKE

**INDEX**

| OEM NUM      | DESCRIPTION                   | OEM NUM     | DESCRIPTION                  |
|--------------|-------------------------------|-------------|------------------------------|
| 972C161G8    | Bearing Pin                   | N22P23008B6 | Screw                        |
| 972C161G9    | Bearing Pin for Brake Shoe    | N22P23010B  | Screw Fastening Support      |
| 9752218-G1   | Contact                       | N22P23010B6 | Screw Fastening Support      |
| 9756574-G1   | Shunt                         | N22P23012B  | Screw Fastening Stop Bracket |
| 9756574-G2   | Shunt                         | N22P23012B6 | Screw Fastening Stop Bracket |
| 9770876G3    | Link & Pin Assy.              | N22P23016B6 | Screw Fastening Guide        |
| 978B347P1    | Magnet Core                   | N22P23020B  | Screw Fastening Spring Strip |
| 978B347P2    | Magnet Core                   | N22P23020B6 | Screw Fastening Spring Strip |
| 978B347P3    | Magnet Core                   | N22P23024B  | Screw Fastening Spring Strip |
| 978B347P4    | Magnet Core                   | N22P23024B6 | Screw Fastening Spring Strip |
| 9960190-G1   | Contact                       | N22P25010B  | Screw                        |
| 9960690G1    | Shunt                         | N22P25012B  | Screw Fastening Support      |
| 996097       | Coil                          | N22P25012B6 | Screw Fastening Support      |
| 9960997      | Coil                          | N22P25014B  | Screw Fastening Stop Bracket |
| 99666442G1   | Coil                          | N22P25014B6 | Screw Fastening Stop Bracket |
| C103AA       | DC Magnetic Brake, IC9516     | N22P25016B  | Screw Fastening Support      |
| CR2810-1572  | Contact, Form C               | N22P25016B6 | Screw Fastening Spring Seat  |
| D49G7        | Coil                          | N22P25016B6 | Screw Fastening Support      |
| DS303A2C01FX | Nema 2, 2 Pole NO Contact     | N22P25020B  | Screw Fastening Guide        |
| F1D177G1A    | Coil                          | N22P25020B6 | Screw Fastening Guide        |
| GE FINGER    | Controller Finger             | N22P25028B  | Hinge Pin Screw              |
| IC2820-A100  | Relay                         | N22P25028B6 | Hinge Screw                  |
| IC9528A100NC | 8" GE Brake                   | N22P25032B  | Screw Fastening Spring Strip |
| IC9528A101NC | 10" GE Brake                  | N22P25032B6 | Screw Fastening Spring Strip |
| IC9528A102NC | 13" GE Brake                  | N22P25080B6 | Bolt                         |
| IC9528A103NC | 16" GE Brake                  | N22P29016B  | Screw                        |
| IC9528A104NC | 19" GE Brake                  | N22P29016B6 | Screw                        |
| IC9528A105NC | 23" GE Brake                  | N22P29020B  | Screw Fastening Guide        |
| N144P16008C  | Screw with Lock Washer        | N22P29020B  | Screw                        |
| N144P16010C  | Screw w/Lock Washer           | N22P29020B6 | Screw                        |
| N200P29      | Nut For Bearing Pin           | N22P29024B  | Screw                        |
| N200P35      | Nut For Bearing Pin           | N22P29024B6 | Screw                        |
| N200P39      | Nut For Bearing Pin           | N22P29028B6 | Screw                        |
| N200P45      | Nut For Bearing Pin           | N22P29036B  | Screw Fastening Spring Strip |
| N200P45B     | Nut for Bearing Pin           | N22P29036B6 | Screw Fastening Spring Strip |
| N203P29B6    | Nut for Bearing Pin           | N22P29040B  | Hinge Screw                  |
| N203P35B6    | Nut for Bearing Pin           | N22P29040B6 | Hinge Screw                  |
| N203P45B6    | Nut for Bearing Pin           | N22P29052B  | Screw                        |
| N206P45B     | Nut for Bearing Pin           | N22P29088B  | Tie Bolt                     |
| N216P23B     | Nut                           | N22P33016B  | Screw                        |
| N216P29B     | Nut                           | N22P33016B6 | Screw                        |
| N216P29B6    | Nut                           | N22P33020B  | Screw                        |
| N216P33B     | Nut                           | N22P33020B6 | Screw                        |
| N216P33B6    | Nut                           | N22P33024B  | Screw                        |
| N219P80      | Nut                           | N22P33024B6 | Cap Screw                    |
| N21P21008    | Screw                         | N22P33032B  | Screw                        |
| N21P23016    | Adjusting Screw               | N22P33064B  | Screw                        |
| N21P23020    | Screw                         | N22P3306B   | Screw                        |
| N21P25016    | Screw                         | N22P33128B6 | Bolt                         |
| N21P25020    | Adjusting Screw               | N22P35028B  | Adj. Screw for Pivot Arm     |
| N21P29020    | Adjusting Screw for Pivot Arm | N22P35072B  | Screw                        |
| N21P29024    | Adj. Screw for Pivot Arm      | N22P39064B  | Hinge Screw                  |
| N21P29032    | Screw                         | N22P39064B6 | Hinge Screw                  |
| N21P325028   | Adjusting Screw               | N22P39096B  | Screw                        |
| N21P33024    | Screw                         | N244P43     | Tie Rod Nut                  |
| N21P33032    | Adj. Screw for Pivot Arm      | N244P82     | Stainless Steel Nut          |
| N227P28      | Tie Rod Nut                   | N245P23B6   | Nut                          |
| N227P32      | Tie Rod Nut                   | N245P29B    | Nut for Bearing Pin          |
| N227P34      | Tie Rod Nut                   | N245P29B6   | Nut                          |
| N227P43      | Tie Rod Nut                   | N245P35B    | Nut for Bearing Pin          |
| N227P82      | Tie Rod Nut                   | N245P39B    | Nut for Bearing Pin          |
| N22P21016B   | Screw Fastening Spring Strip  | N24P33020   | Screw                        |
| N22P21016B6  | Screw Fastening Spring Strip  | N24P33064   | Screw                        |

| OEM NUM     | DESCRIPTION                              | OEM NUM   | DESCRIPTION           |
|-------------|--|-----------|-----------------------|
| N25P23010   | Screw                                    | N93P29016 | Screw                 |
| N25P23012   | Screw                                    | N93P29056 | Screw                 |
| N25P23016   | Adjusting Screw for Pivot Arm            | N93P33024 | Screw                 |
| N25P25020B  | Adjusting Screw for Pivot Arm            | N93P33040 | Screw for Lower Clamp |
| N26P21012B  | Screw Fastening Magnet Core to Base      | N93P33052 | Screw for Upper Clamp |
| N26P21016B  | Stop Screw                               | N93P35076 | Screw                 |
| N26P23012B6 | Cap Screw                                | N93P39096 | Screw                 |
| N402AP17B6  | Spring Seat                              |           |                       |
| N402AP45B6  | Spring Seat                              |           |                       |
| N402AP48B6  | Spring Seat                              |           |                       |
| N402AP50B6  | Spring Seat                              |           |                       |
| N402P11B    | Washer                                   |           |                       |
| N402P12B6   | Washer                                   |           |                       |
| N402P17B    | Spring Seat                              |           |                       |
| N402P17B6   | Spring Seat                              |           |                       |
| N402P27B    | Spring Seat for Comp. Spring             |           |                       |
| N402P45B    | Spring Seat for Comp. Spring             |           |                       |
| N402P45B6   | Spring Seat                              |           |                       |
| N402P48B6   | Spring Seat for Comp. Spring             |           |                       |
| N402P50B6   | Spring Seat                              |           |                       |
| N405P42C6   | Lockwasher                               |           |                       |
| N405P43C6   | Lockwasher                               |           |                       |
| N405P45C6   | Lockwasher                               |           |                       |
| N405P47B43  | Lockwasher                               |           |                       |
| N405P48     | Lockwasher                               |           |                       |
| N405P48B43  | Lockwasher                               |           |                       |
| N44P25008B  | Screw                                    |           |                       |
| N530P1008B  | Drive Screw                              |           |                       |
| N530P1008B6 | Drive Screw                              |           |                       |
| N530P403B   | Self-Tapping Screw                       |           |                       |
| N530P806B   | Drive Screw                              |           |                       |
| N530P806B6  | Drive Screw                              |           |                       |
| N57P15008B6 | Machine Screw                            |           |                       |
| N57P21008B  | Screw                                    |           |                       |
| N57P21008B6 | Cap Screw                                |           |                       |
| N57P21048B  | Cap Screw                                |           |                       |
| N57P23028   | Cap Screw                                |           |                       |
| N70P1601B6  | Set Screw                                |           |                       |
| N70P1606B   | Set Screw for Tie Rod Nut                |           |                       |
| N70P1606B6  | Set Screw for Tie Rod Nut                |           |                       |
| N70P2110B6  | Set Screw                                |           |                       |
| N72P2108B   | Set Screw for Tie Rod Nut                |           |                       |
| N72P2108B6  | Set Screw for Tie Rod Nut                |           |                       |
| N72P2110B   | Set Screw                                |           |                       |
| N72P2110B6  | Set Screw                                |           |                       |
| N72P23010B  | Set Screw                                |           |                       |
| N72P23010B6 | Set Screw                                |           |                       |
| N72P2310B6  | Set Screw                                |           |                       |
| N75P15006   | Screw Fastening Shim To Armature         |           |                       |
| N75P15010   | Screw Fastening Shims and Clamp Armature |           |                       |
| N89P21072B  | Short Connection Stud                    |           |                       |
| N89P21096B6 | Long Connection Stud                     |           |                       |
| N908P219B   | Retaining Ring/Friction Plug             |           |                       |
| N908P221B   | Retaining Ring/Friction Plug             |           |                       |
| N908P227B   | Retain Ring for Friction Plug            |           |                       |
| N908P229B   | Retain Ring for Friction Plug            |           |                       |
| N908P237B   | Retain Ring for Friction Plug            |           |                       |
| N910P137C6  | E Ring                                   |           |                       |
| N910P200B6  | E Ring                                   |           |                       |
| N910P98C6   | Armature Pin E Clip                      |           |                       |
| N93P23012   | Screw                                    |           |                       |
| N93P23024   | Screw Fast. Lower Clamp to Brake Shoe    |           |                       |
| N93P23028   | Screw Fast. Upper Clamp to Brake Shoe    |           |                       |

This document utilizes an interactive table of contents to help you jump from one section to another. Click the button to return to the table of contents.

**RETURN TO  
TABLE OF CONTENTS**

#### BRAKES

- FORM C103AA DC MAGNETIC BRAKE
- IC9528 A100 8" BRAKE
- IC9528 A101 10" BRAKE
- IC9528 A102 13" BRAKE
- IC9528 A103 16" BRAKE
- IC9528 A104 19" BRAKE
- IC9528 A105 23" BRAKE

#### INDEX



REPLACEMENT PARTS CATALOG  
TABLE OF CONTENTS

This document utilizes an interactive table of contents to help you jump from one section to another. Click the button to return to the table of contents.

**RETURN TO  
TABLE OF CONTENTS**

*BRAKES*  
*CONTACTORS*  
*SAFETY LIMIT STOPS*  
*MISCELLANEOUS*  
*INDEX*

BRAKES

EC&M No. 5 TYPE WB BRAKE, FOLIO 2.....3  
 EC&M No. 10 TYPE WB BRAKE, FOLIO 2 .....4  
 EC&M No. 20 TYPE WB BRAKE, FOLIO 2 .....5  
 EC&M No. 22 TYPE WB BRAKE, FOLIO 1 .....6  
 EC&M No. 30 TYPE WB BRAKE, FOLIO 2 .....7  
 EC&M No. 30 TYPE WB BRAKE, FOLIO 3 .....8  
 EC&M No. 40 TYPE WB BRAKE, FOLIO 2 .....9  
 EC&M No. 40 TYPE WB BRAKE, FOLIO 3 .....10  
 EC&M No. 50 TYPE WB BRAKE, FOLIO 2 .....11  
 EC&M No. 50 TYPE WB BRAKE, FOLIO 3 .....12  
 EC&M No. 60 TYPE WB BRAKE, FOLIO 1 .....13  
 CLASS 5010 8"TYPE WB BRAKE, FOLIO 5 .....15  
 CLASS 5010 10"TYPE WB BRAKE, FOLIO 5 .....17  
 CLASS 5010 13"TYPE WB BRAKE, FOLIO 5 .....19  
 CLASS 5010 16"TYPE WB BRAKE, FOLIO 5 .....21  
 CLASS 5010 19"TYPE WB BRAKE, FOLIO 5 .....23  
 CLASS 5010 23"TYPE WB BRAKE, FOLIO 5 .....25  
 CLASS 5010 30"TYPE WB BRAKE, FOLIO 6 .....27  
 CLASS 5010 08"TYPE F SERIES A .....28  
 CLASS 5010 10"TYPE F SERIES A .....29  
 CLASS 5010 13"TYPE F SERIES A .....30  
 CLASS 5010 16"TYPE F SERIES A .....31  
 CLASS 5010 19"TYPE F SERIES A .....32  
 CLASS 5010 23"TYPE F SERIES A .....33  
 CLASS 5010 30"TYPE F SERIES A .....34  
 CLASS 5010 10"TYPE F SERIES B .....35  
 CLASS 5010 13"TYPE F SERIES B .....36  
 CLASS 5010 16"TYPE F SERIES B .....37  
 CLASS 5010 23"TYPE F SERIES B .....38  
 CLASS 5060 10"TYPE AT ADJUSTABLE TORQUE BRAKE.....40  
 CLASS 5060 13"TYPE AT ADJUSTABLE TORQUE BRAKE.....42  
 CLASS 5060 16"TYPE AT ADJUSTABLE TORQUE BRAKE.....44

CONTACTORS

NO. 0 SINGLE POLE TYPE S CONTACTOR, FOLIO 7 .....46  
 NO. 1 SINGLE POLE TYPE L LINE-ARC CONTACTOR, FOLIO 3.....48  
 NO. 1 SINGLE POLE SPRING CLOSED TYPE L LINE-ARC CONTACTOR, FOLIO 3 .....50  
 NO. 2 SINGLE POLE TYPE L LINE-ARC CONTACTOR, FOLIO 3 .....52  
 NO. 2 SINGLE POLE SPRING CLOSED TYPE L LINE-ARC CONTACTOR, FOLIO 3 .....54  
 NO. 2 DOUBLE POLE TYPE L LINE-ARC CONTACTOR, FOLIO 3 .....56  
 NO. 3 SINGLE POLE TYPE L LINE-ARC CONTACTOR, FOLIO 3 .....58  
 NO. 3 SINGLE POLE SPRING CLOSED TYPE L LINE-ARC CONTACTOR, FOLIO 3 .....60

If you are unable to locate the item you need, please call or e-mail us so that we can assist in finding required item.  
 Square-D & EC&M are Registered Trademarks of the Square-D corp.

|  |    |
|--|----|
| NO. 3 DOUBLE POLE TYPE L LINE-ARC CONTACTOR, FOLIO 3.....                    | 62 |
| NO. 4 & 4A SINGLE POLE TYPE L LINE-ARC CONTACTOR, FOLIO 3.....               | 64 |
| NO. 4 & 4A SINGLE POLE SPRING CLOSED TYPE L LINE-ARC CONTACTOR, FOLIO 3..... | 66 |

**SAFETY LIMIT STOPS**

|   |    |
|---|----|
| NO. 10 YOUNGSTOWN LIMIT STOP.....                             | 67 |
| NO. 20 YOUNGSTOWN LIMIT SWITCH.....                           | 69 |
| NO. 30 YOUNGSTOWN LIMIT SWITCH.....                           | 71 |
| NO. 10 YOUNGSTOWN LIMIT SWITCH AC/DC TYPE BG SERIES A.....    | 73 |
| NO. 20 AC/DC YOUNGSTOWN LIMIT SWITCH TYPE CG SERIES B.....    | 75 |
| NO. 20 AC/DC YOUNGSTOWN LIMIT SWITCH TYPE CCG SERIES B.....   | 77 |
| NO. 30 YOUNGSTOWN LIMIT SWITCH TYPE DG SERIES A.....          | 79 |
| NO. 30 YOUNGSTOWN LIMIT SWITCH TYPE DDG SERIES A.....         | 81 |
| NO. 40 YOUNGSTOWN LIMIT STOP SINGLE TYPE EG SERIES A.....     | 83 |
| NO. 40 YOUNGSTOWN LIMIT STOP DUPLEX TYPE EEG SERIES A.....    | 85 |
| NO. 50 DC YOUNGSTOWN LIMIT STOP SIMPLEX TYPE FG SERIES A..... | 87 |
| NO. 50 DC YOUNGSTOWN LIMIT STOP DUPLEX TYPE FFG SERIES A..... | 89 |

**MISCELLANEOUS**

|  |    |
|--|----|
| TYPE DM MASTER SWITCH FOLIO 1-A.....         | 90 |
| EC&M TYPE NT MASTER CONTROLLER, FOLIO 1..... | 92 |
| SI ACCELERATION RELAY, FOLIO 1A & 1B.....    | 93 |
| SIP PLUGGING RELAY, FOLIO 1A & 1B.....       | 94 |

|            |          |
|------------|----------|
| Index..... | 95 - 128 |
|------------|----------|

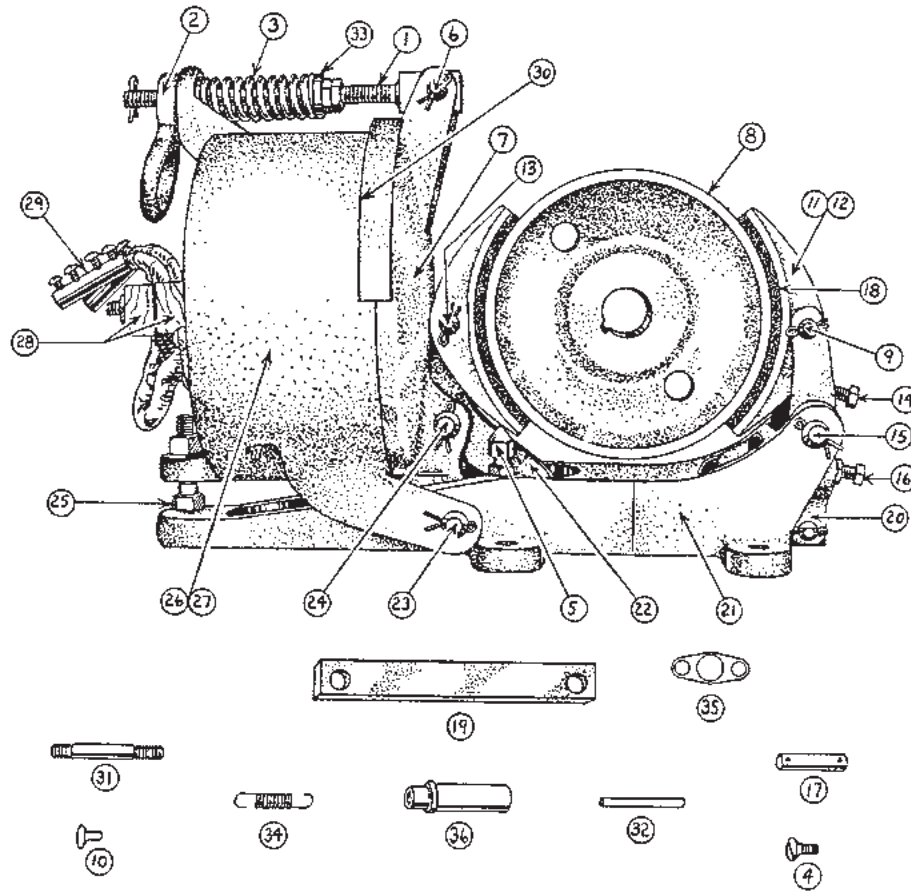
**This document utilizes an interactive table of contents to help you jump from one section to another. Click the button to return to the table of contents.**

**RETURN TO  
TABLE OF CONTENTS**

*BRAKES*  
*CONTACTORS*  
*SAFETY LIMIT STOPS*  
*MISCELLANEOUS*  
*INDEX*

If you are unable to locate the item you need, please call or e-mail us so that we can assist in finding required item.  
Square-D & EC&M are Registered Trademarks of the Square-D corp.

PHONE (800) 310-5999 FAX (330) 648-2774



EC&M No. 5 TYPE WB BRAKE, FOLIO 2

| Item    | OEM Part       | Description               | Item    | OEM Part       | Description                  |
|---------|----------------|---------------------------|---------|----------------|------------------------------|
| 01..... | WB-0519-A..... | Spring Rod                | 23..... | WB-0535.....   | Magnet Hinge Pin             |
| 02..... | WB-0520.....   | Handle                    | 24..... | WB-0533.....   | Armature Pin                 |
| 03..... | WB-0538.....   | Spring                    | 25..... | WB-234.....    | Magnet Adjusting Screw       |
| 04..... | WB-1080.....   | F.H. Screw                | 26..... | WB-0549-A..... | Assembled Magnet, w/ Coil    |
| 05..... | WB-0543.....   | Shoe Adjusting Screw      | 27..... | WB-0516-A..... | Magnet Case                  |
| 06..... | WB-0537.....   | Spring Rod Pin            | 28..... | WB-0541.....   | Lead Block                   |
| 07..... | WB-0514-A..... | Armature                  | 30..... | WB-0528.....   | Dust Shield                  |
| 08..... | WB-0530.....   | Brake Wheel 7" Diameter   | 31..... | Q-165.....     | Lead Block Stud              |
| 09..... | WB-0546.....   | Shoe Pin                  | 32..... | WB-0539.....   | Centering Spring Pin         |
| 10..... | WB-0550.....   | Rivet                     | 33..... | WB-0521.....   | Spring Collar                |
| 11..... | WB-0524-A..... | Assembled Shoe, w/ Lining | 34..... | WB-0540.....   | Centering Spring             |
| 12..... | WB-0522.....   | Brake Shoe, w/out Lining  | 35..... | Q-106.....     | Guard                        |
| 13..... | WB-0545.....   | Shoe Pin                  | 36..... | WB-103.....    | Bushing                      |
| 14..... | WB-0542.....   | Shoe Adjusting Screw      | 37..... | WB-0525.....   | Retaining Plate              |
| 15..... | WB-0534.....   | Shoe Lever Hinge Pin      | *       | WB-0568-A..... | Coil                         |
| 16..... | WB-0548.....   | Equalizing Screw          | *       | WB-0544.....   | Amateur Pin Bushing          |
| 17..... | WB-0536.....   | Connection Rod Pin        | *       | WB-0501.....   | Magnet Hinge Pin Bushing     |
| 18..... | WB-0523.....   | Brake Lining              | *       | WB-0504.....   | Shoe Lever Hinge Pin Bushing |
| 19..... | WB-0529.....   | Connecting Rod            | *       | WB-0506.....   | Magnet Hinge Pin Bushing     |
| 20..... | WB-0510-A..... | Shoe Lever                | *       | WB-0505.....   | Shoe Lever Hinge Pin Bushing |
| 21..... | WB-0507-A..... | Frame                     | *       | WB-0503.....   | Magnet Hinge Bushing         |
| 22..... | WB-0512-A..... | Balance Lever             | *       | WB-0502.....   | Armature Pin Bushing         |

\* Not Pictured

This document utilizes an interactive table of contents to help you jump from one section to another. Click the button to return to the table of contents.

**RETURN TO  
TABLE OF CONTENTS**

**BRAKES**

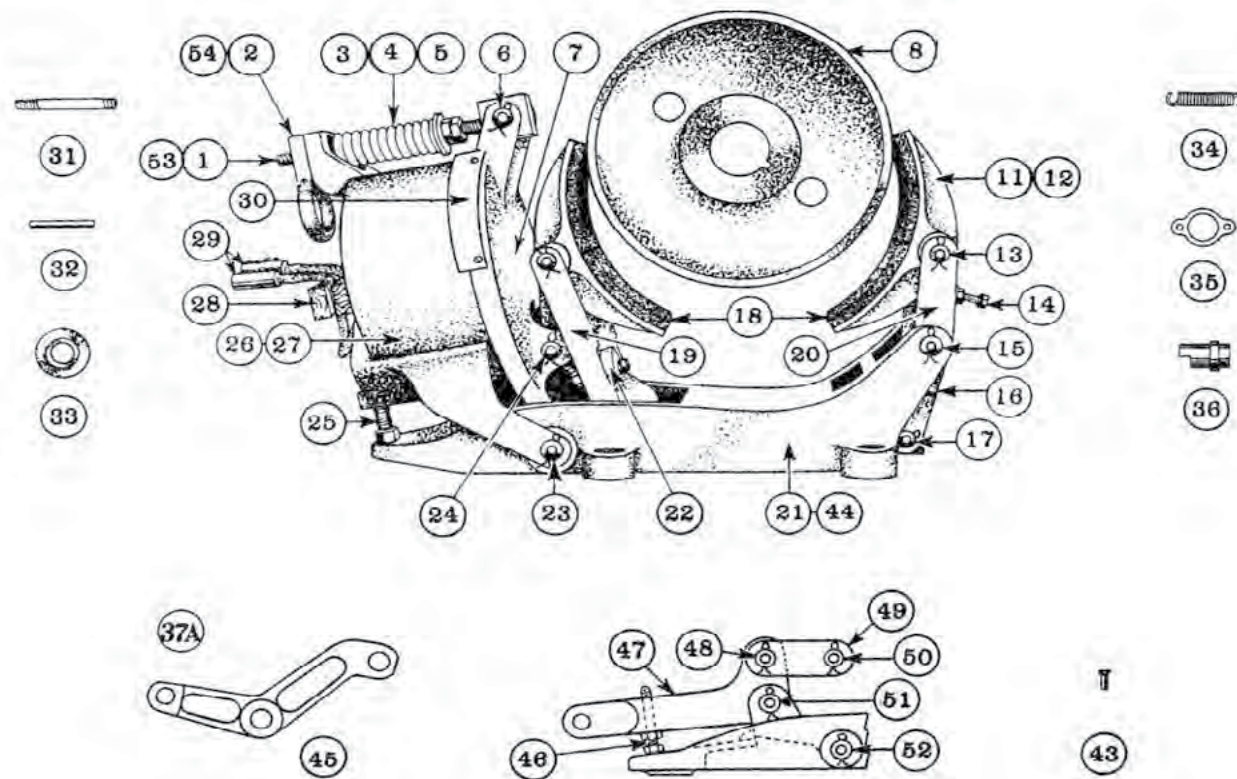
- EC&M No. 5 TYPE WB BRAKE, FOLIO 2
- EC&M No. 10 TYPE WB BRAKE, FOLIO 2
- EC&M No. 20 TYPE WB BRAKE, FOLIO 2
- EC&M No. 22 TYPE WB BRAKE, FOLIO 1
- EC&M No. 30 TYPE WB BRAKE, FOLIO 2
- EC&M No. 30 TYPE WB BRAKE, FOLIO 3
- EC&M No. 40 TYPE WB BRAKE, FOLIO 2
- EC&M No. 40 TYPE WB BRAKE, FOLIO 3
- EC&M No. 50 TYPE WB BRAKE, FOLIO 2
- EC&M No. 50 TYPE WB BRAKE, FOLIO 3
- EC&M No. 60 TYPE WB BRAKE, FOLIO 1
- CLASS 5010 8" TYPE WB BRAKE, FOLIO 5
- CLASS 5010 10" TYPE WB BRAKE, FOLIO 5
- CLASS 5010 13" TYPE WB BRAKE, FOLIO 5
- CLASS 5010 16" TYPE WB BRAKE, FOLIO 5
- CLASS 5010 19" TYPE WB BRAKE, FOLIO 5
- CLASS 5010 23" TYPE WB BRAKE, FOLIO 5
- CLASS 5010 30" TYPE WB BRAKE, FOLIO 6
- CLASS 5010 8" TYPE F SERIES A
- CLASS 5010 10" TYPE F SERIES A
- CLASS 5010 13" TYPE F SERIES A
- CLASS 5010 16" TYPE F SERIES A
- CLASS 5010 19" TYPE F SERIES A
- CLASS 5010 23" TYPE F SERIES A
- CLASS 5010 30" TYPE F SERIES A
- CLASS 5010 10" TYPE F SERIES B
- CLASS 5010 13" TYPE F SERIES B
- CLASS 5010 16" TYPE F SERIES B
- CLASS 5010 23" TYPE F SERIES B
- CLASS 5060 10" TYPE AT ADJUSTABLE TORQUE BRAKE
- CLASS 5060 13" TYPE AT ADJUSTABLE TORQUE BRAKE
- CLASS 5060 16" TYPE AT ADJUSTABLE TORQUE BRAKE

**CONTACTORS**

**SAFETY LIMIT STOPS**

**MISCELLANEOUS**

**INDEX**



EC&M No. 10 TYPE WB BRAKE, FOLIO 2

| Item    | OEM Part      | Description                | Item    | OEM Part          | Description                   |
|---------|---------------|----------------------------|---------|-------------------|-------------------------------|
| 01..... | WB-183-A..... | Spring Rod , with Nuts     | 28..... | Q-164.....        | Lead Block                    |
| 02..... | WB-181.....   | Handle                     | 30..... | WB-1163.....      | Dust Shield                   |
| 03..... | WB-116.....   | Brake Spring               | 31..... | Q-165.....        | Lead Block Stud               |
| 06..... | WB-125.....   | Spring Rod Pin             | 32..... | WB-119.....       | Centering Spring Pin          |
| 07..... | WB-187-A..... | Armature                   | 33..... | WB-114.....       | Spring Collar                 |
| 08..... | WB-132-A..... | Wheel                      | 34..... | WB-126.....       | Centering Spring              |
| 11..... | WB-110-A..... | Assembled Shoe             | 37..... | WB-109.....       | Retaining Plate, Brass        |
| 12..... | WB-104.....   | Brake Shoe                 | 40..... | WB-186-A.....     | Balance Lever                 |
| 13..... | WB-120.....   | Shoe Pin                   | 41..... | WB-106.....       | Connecting Rod                |
| 15..... | WB-122.....   | Shoe Lever Hinge Pin       | 43..... | WB-159.....       | Lining Rivet                  |
| 16..... | WB-133.....   | Equalizing Screw           | 46..... | WB-134.....       | Shoe Adjusting Screw          |
| 17..... | WB-124.....   | Connecting Rod Pin         | *       | WB-1129-A.....    | Coil                          |
| 18..... | WB-118.....   | Brake Lining               | *       | WB-1132-A.....    | Coil, 5-8 HP                  |
| 19..... | WB-105.....   | Shoe Lever (Armature End)  | *       | 51001-071-59..... | Brake Block Kit               |
| 20..... | WB-185-A..... | Shoe Lever With Spring Pin | *       | WB-1133-A.....    | Coil                          |
| 21..... | WB-189-A..... | Frame                      | *       | WB-162.....       | Bushing, Armature/Upper       |
| 23..... | WB-123.....   | Magnet Hinge Pin           | *       | WB-161.....       | Bushing, Magnet Case          |
| 24..... | WB-121.....   | Armature Pin               | *       | WB-164.....       | Bushing, Frame/Upper          |
| 25..... | WB-434.....   | Special Cap Screw          | *       | WB-165.....       | Bushing, Shoe Lever           |
| 26..... | WB-190-A..... | Assembled Magnet           | *       | WB-163.....       | Bushing, Armature-Frame/Upper |
| 27..... | WB-188-A..... | Magnet Case                |         |                   |                               |

\* Not Pictured

This document utilizes an interactive table of contents to help you jump from one section to another. Click the button to return to the table of contents.

**RETURN TO TABLE OF CONTENTS**

**BRAKES**

- EC&M No. 5 TYPE WB BRAKE, FOLIO 2
- EC&M No. 10 TYPE WB BRAKE, FOLIO 2
- EC&M No. 20 TYPE WB BRAKE, FOLIO 2
- EC&M No. 22 TYPE WB BRAKE, FOLIO 1
- EC&M No. 30 TYPE WB BRAKE, FOLIO 2
- EC&M No. 30 TYPE WB BRAKE, FOLIO 3
- EC&M No. 40 TYPE WB BRAKE, FOLIO 2
- EC&M No. 40 TYPE WB BRAKE, FOLIO 3
- EC&M No. 50 TYPE WB BRAKE, FOLIO 2
- EC&M No. 50 TYPE WB BRAKE, FOLIO 3
- EC&M No. 60 TYPE WB BRAKE, FOLIO 1
- CLASS 5010 8" TYPE WB BRAKE, FOLIO 5
- CLASS 5010 10" TYPE WB BRAKE, FOLIO 5
- CLASS 5010 13" TYPE WB BRAKE, FOLIO 5
- CLASS 5010 16" TYPE WB BRAKE, FOLIO 5
- CLASS 5010 19" TYPE WB BRAKE, FOLIO 5
- CLASS 5010 23" TYPE WB BRAKE, FOLIO 5
- CLASS 5010 30" TYPE WB BRAKE, FOLIO 6
- CLASS 5010 8" TYPE F SERIES A
- CLASS 5010 10" TYPE F SERIES A
- CLASS 5010 13" TYPE F SERIES A
- CLASS 5010 16" TYPE F SERIES A
- CLASS 5010 19" TYPE F SERIES A
- CLASS 5010 23" TYPE F SERIES A
- CLASS 5010 30" TYPE F SERIES A
- CLASS 5010 10" TYPE F SERIES B
- CLASS 5010 13" TYPE F SERIES B
- CLASS 5010 16" TYPE F SERIES B
- CLASS 5010 23" TYPE F SERIES B
- CLASS 5060 10" TYPE AT ADJUSTABLE TORQUE BRAKE
- CLASS 5060 13" TYPE AT ADJUSTABLE TORQUE BRAKE
- CLASS 5060 16" TYPE AT ADJUSTABLE TORQUE BRAKE

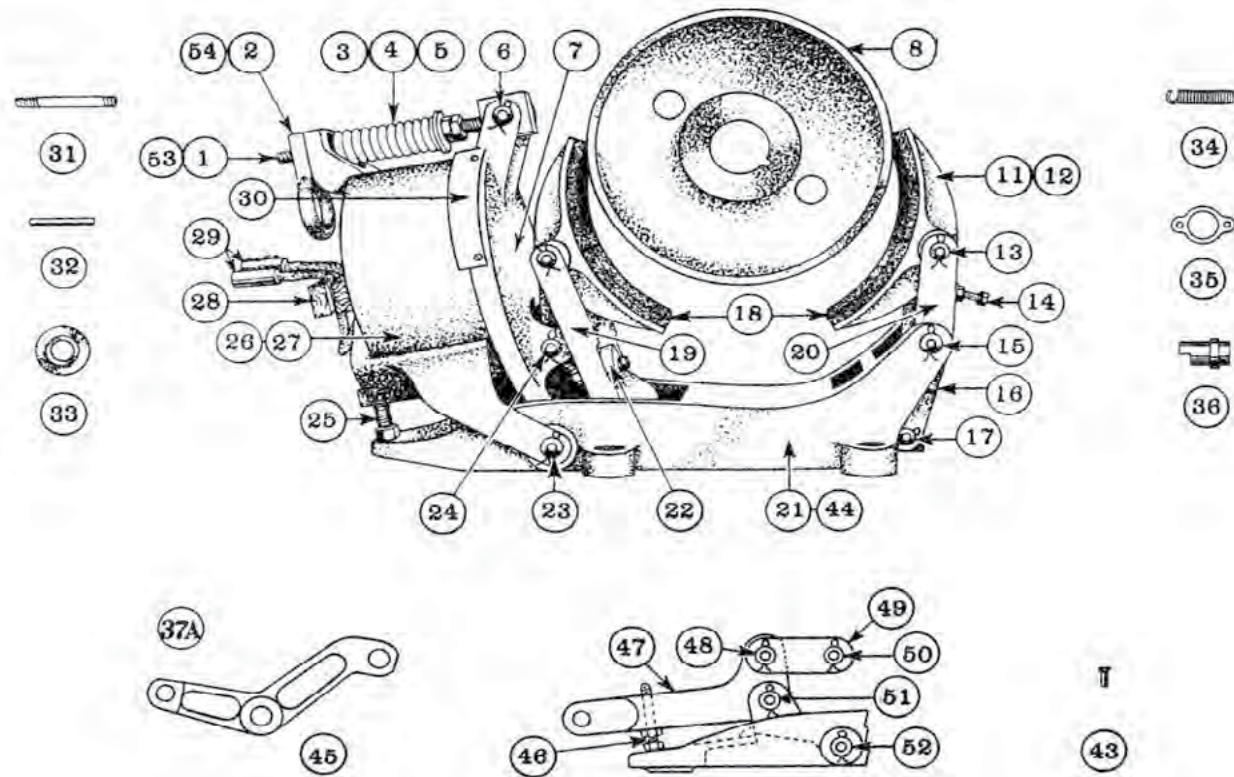
**CONTACTORS**

**SAFETY LIMIT STOPS**

**MISCELLANEOUS**

**INDEX**





EC&M No. 20 TYPE WB BRAKE, FOLIO 2

| Item    | OEM Part          | Description                  | Item    | OEM Part         | Description             |
|---------|-------------------|------------------------------|---------|------------------|-------------------------|
| 01..... | WB-283-A.....     | Spring Rod with Nuts         | 30..... | WB-2163.....     | Dust Shield             |
| 02..... | WB-281.....       | Handle                       | 30..... | WB-215.....      | Dust Shield, Steel      |
| 03..... | WB-216.....       | Brake Spring                 | 31..... | Q-165.....       | Lead Block Stud         |
| 06..... | WB-225.....       | Spring Rod Pin               | 32..... | WB-219.....      | Centering Spring Pin    |
| 07..... | WB-287-A.....     | Armature                     | 33..... | WB-2061.....     | Spring Collar           |
| 11..... | WB-210-A.....     | Assembled Shoe               | 34..... | WB-226.....      | Centering Spring        |
| 12..... | WB-204.....       | Brake Shoe                   | 35..... | Q-305.....       | Terminal Guard          |
| 13..... | WB-220.....       | Shoe Pin                     | 36..... | WB-229.....      | Terminal Bushing        |
| 14..... | WB-238.....       | Shoe Adjusting Screw         | 37..... | WB-209.....      | Retaining Plate, Brass  |
| 15..... | WB-222.....       | Shoe Lever Hinge Pin         | 40..... | WB-286-A.....    | Balance Lever           |
| 16..... | WB-235.....       | Equalizing Screw             | 41..... | WB-206-A.....    | Connecting Rod          |
| 17..... | WB-224.....       | Connecting Rod Pin           | 43..... | WB-259.....      | Lining Rivet            |
| 18..... | WB-218.....       | Brake Lining                 | 44..... | WB-289-A.....    | Frame                   |
| 18..... | 51001-071-60..... | Lining Kit                   | 48..... | WB-424.....      | Connecting Rod Pin      |
| 19..... | WB-205.....       | Shoe Lever                   | *       | WB-263.....      | Bushing, Armature/Lower |
| 20..... | WB-285-A.....     | Shoe Lever                   | *       | WB-262.....      | Bushing, Armature       |
| 22..... | WB-232-A.....     | Shoe Adjusting Wheel w/screw | *       | WB-265.....      | Bushing, Shoe Lever     |
| 23..... | WB-223.....       | Magnet Hinge Pin             | *       | WB-264.....      | Bushing, Frame/Upper    |
| 24..... | WB-221.....       | Armature Pin                 | *       | WB-261.....      | Bushing, Magnet Case    |
| 25..... | WB-455.....       | Magnet Adjusting Screw       | *       | WB-267.....      | Bushing, Balance Lever  |
| 26..... | WB-290-A.....     | Assembled Magnet             | *       | FP-24C36.....    | Bushing                 |
| 27..... | WB-288-A.....     | Magnet Case                  | *       | 29005-48301..... | Bushing                 |
| 28..... | Q-257.....        | Lead Block                   |         |                  |                         |

\* Not Pictured

This document utilizes an interactive table of contents to help you jump from one section to another. Click the button to return to the table of contents.

**RETURN TO  
TABLE OF CONTENTS**

**BRAKES**

- EC&M No. 5 TYPE WB BRAKE, FOLIO 2
- EC&M No. 10 TYPE WB BRAKE, FOLIO 2
- EC&M No. 20 TYPE WB BRAKE, FOLIO 2
- EC&M No. 22 TYPE WB BRAKE, FOLIO 1
- EC&M No. 30 TYPE WB BRAKE, FOLIO 2
- EC&M No. 30 TYPE WB BRAKE, FOLIO 3
- EC&M No. 40 TYPE WB BRAKE, FOLIO 2
- EC&M No. 40 TYPE WB BRAKE, FOLIO 3
- EC&M No. 50 TYPE WB BRAKE, FOLIO 2
- EC&M No. 50 TYPE WB BRAKE, FOLIO 3
- EC&M No. 60 TYPE WB BRAKE, FOLIO 1
- CLASS 5010 8" TYPE WB BRAKE, FOLIO 5
- CLASS 5010 10" TYPE WB BRAKE, FOLIO 5
- CLASS 5010 13" TYPE WB BRAKE, FOLIO 5
- CLASS 5010 16" TYPE WB BRAKE, FOLIO 5
- CLASS 5010 19" TYPE WB BRAKE, FOLIO 5
- CLASS 5010 23" TYPE WB BRAKE, FOLIO 5
- CLASS 5010 30" TYPE WB BRAKE, FOLIO 6
- CLASS 5010 8" TYPE F SERIES A
- CLASS 5010 10" TYPE F SERIES A
- CLASS 5010 13" TYPE F SERIES A
- CLASS 5010 16" TYPE F SERIES A
- CLASS 5010 19" TYPE F SERIES A
- CLASS 5010 23" TYPE F SERIES A
- CLASS 5010 30" TYPE F SERIES A
- CLASS 5010 10" TYPE F SERIES B
- CLASS 5010 13" TYPE F SERIES B
- CLASS 5010 16" TYPE F SERIES B
- CLASS 5010 23" TYPE F SERIES B
- CLASS 5060 10" TYPE AT ADJUSTABLE TORQUE BRAKE
- CLASS 5060 13" TYPE AT ADJUSTABLE TORQUE BRAKE
- CLASS 5060 16" TYPE AT ADJUSTABLE TORQUE BRAKE

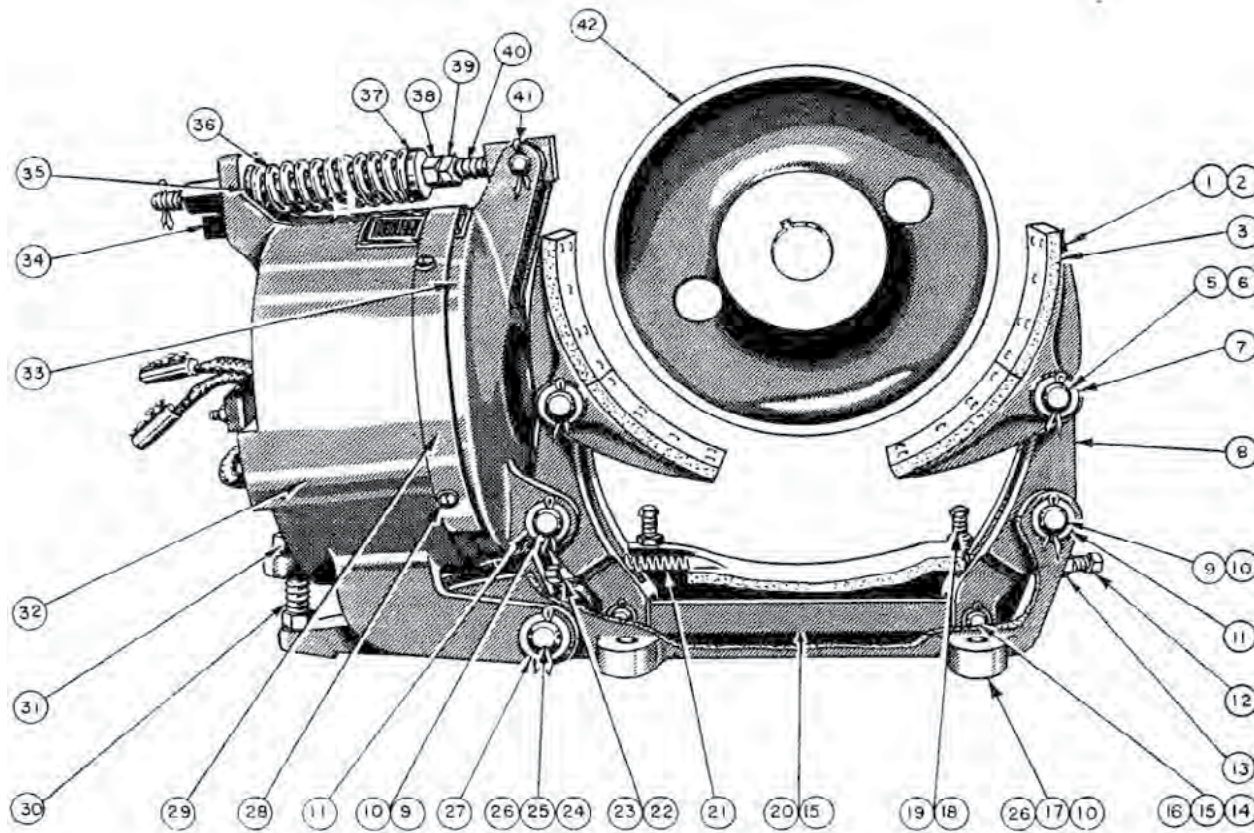
**CONTACTORS**

**SAFETY LIMIT STOPS**

**MISCELLANEOUS**

**INDEX**





EC&M No. 22 TYPE WB BRAKE, FOLIO 1

| Item | OEM Part  | Description                | Item | OEM Part     | Description            |
|------|-----------|----------------------------|------|--------------|------------------------|
| 01   | WB-2200-A | Assembled Shoe, Complete   | 27   | WB-3228      | Washer                 |
| 02   | WB-2317-A | Brake Shoe                 | 29   | WB-2259      | Dust Shield            |
| 03   | WB-2340   | Brake Lining               | 30   | WB-233       | Magnet Adjusting Screw |
| 04   | WB-359    | Lining Rivet               | 32   | WB-2312-A    | Assembled Magnet       |
| 05   | FP-24B17  | Bearing                    | 33   | WB-2188-A    | Armature               |
| 06   | WB-2213   | Shoe Pin                   | 34   | WB-4236-A    | Spring Rod Nut         |
| 07   | WB-3227   | Washer                     | 35   | WB-2239      | Spring Retainer        |
| 08   | WB-2204-A | Shoe Lever                 | 36   | WB-2329      | Operating Spring       |
| 09   | WB-2343   | Shoe Lever Pin             | 37   | WB-2249      | Spring Collar          |
| 10   | FP-24B36  | Bearing                    | 40   | WB-2234-A    | Spring Rod             |
| 11   | FA-78     | Washer, for Shoe Lever Pin | 41   | WB-225       | Spring Rod Pin         |
| 12   | WB-2243   | Equalizing Screw           | 43   | WB-2242      | Terminal Bushing       |
| 14   | WB-2342   | Connecting Rod Pin         | 44   | Q-305        | Terminal Guard         |
| 15   | FP-24C10  | Bearing                    | 46   | Q-165        | Lead Block Stud        |
| 16   | FP-24B18  | Bearing                    | 47   | Q-257        | Lead Block             |
| 17   | WB-2186-A | Frame                      | 52   | WB-2192-A    | Magnet Case            |
| 18   | WB-2215   | Shoe Adjusting Screw       | 54   | WB-2250      | Retaining Plate        |
| 20   | WB-2217-A | Connecting Rod             | *    | WB-2280-A    | Series Coil            |
| 21   | WB-2330   | Centering Spring           | *    | WB-22 Shunt  | Shunt Coil             |
| 22   | WB-2333   | Guide Screw                | *    | WB-2283-A    | Coil                   |
| 24   | WB-2223   | Magnet Hinge Pin           | *    | 51001-071-61 | Brake Block Kit        |
| 25   | FP-24B21  | Bearing                    | *    | WB-2281-A    | Series Coil            |
| 26   | FP-24C32  | Bearing                    |      |              |                        |

\* Not Pictured

This document utilizes an interactive table of contents to help you jump from one section to another. Click the button to return to the table of contents.

**RETURN TO TABLE OF CONTENTS**

**BRAKES**

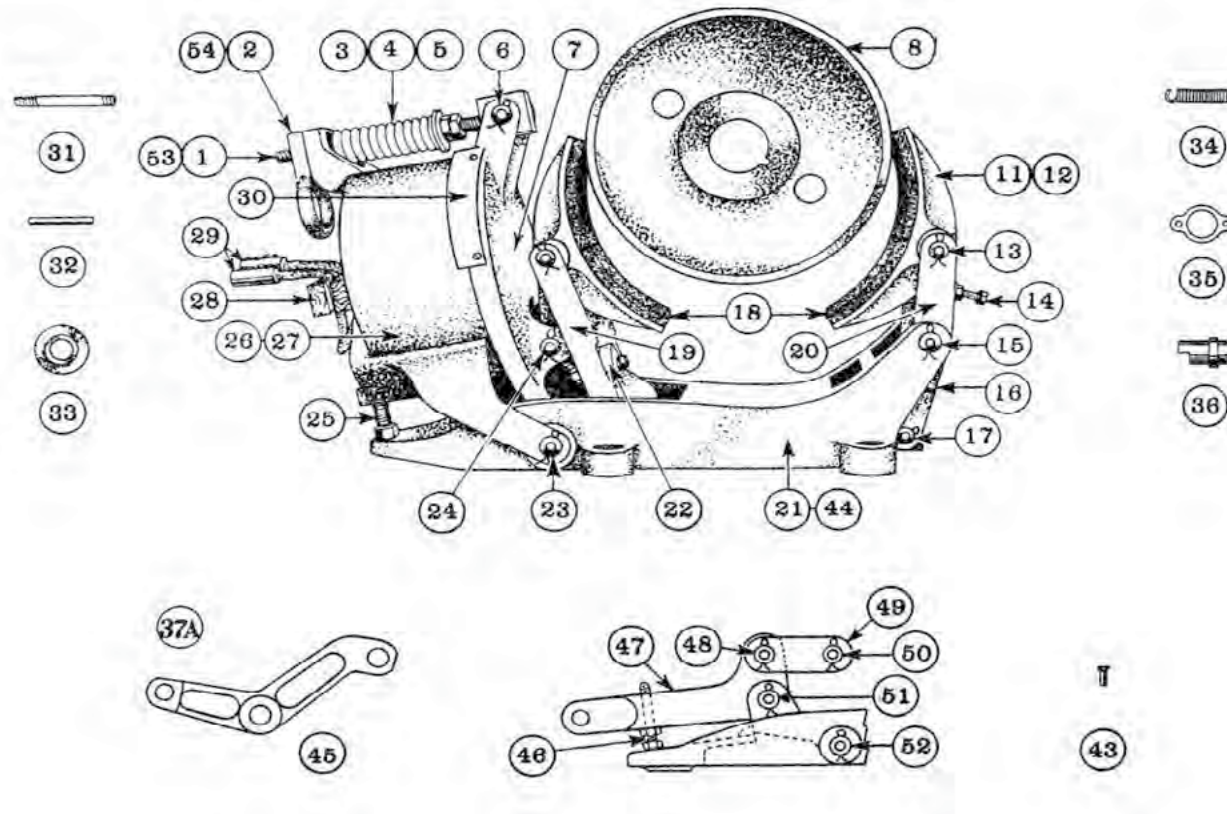
- EC&M No. 5 TYPE WB BRAKE, FOLIO 2
- EC&M No. 10 TYPE WB BRAKE, FOLIO 2
- EC&M No. 20 TYPE WB BRAKE, FOLIO 2
- EC&M No. 22 TYPE WB BRAKE, FOLIO 1
- EC&M No. 30 TYPE WB BRAKE, FOLIO 2
- EC&M No. 30 TYPE WB BRAKE, FOLIO 3
- EC&M No. 40 TYPE WB BRAKE, FOLIO 2
- EC&M No. 40 TYPE WB BRAKE, FOLIO 3
- EC&M No. 50 TYPE WB BRAKE, FOLIO 2
- EC&M No. 50 TYPE WB BRAKE, FOLIO 3
- EC&M No. 60 TYPE WB BRAKE, FOLIO 1
- CLASS 5010 8" TYPE WB BRAKE, FOLIO 5
- CLASS 5010 10" TYPE WB BRAKE, FOLIO 5
- CLASS 5010 13" TYPE WB BRAKE, FOLIO 5
- CLASS 5010 16" TYPE WB BRAKE, FOLIO 5
- CLASS 5010 19" TYPE WB BRAKE, FOLIO 5
- CLASS 5010 23" TYPE WB BRAKE, FOLIO 5
- CLASS 5010 30" TYPE WB BRAKE, FOLIO 6
- CLASS 5010 8" TYPE F SERIES A
- CLASS 5010 10" TYPE F SERIES A
- CLASS 5010 13" TYPE F SERIES A
- CLASS 5010 16" TYPE F SERIES A
- CLASS 5010 19" TYPE F SERIES A
- CLASS 5010 23" TYPE F SERIES A
- CLASS 5010 30" TYPE F SERIES A
- CLASS 5010 10" TYPE F SERIES B
- CLASS 5010 13" TYPE F SERIES B
- CLASS 5010 16" TYPE F SERIES B
- CLASS 5010 23" TYPE F SERIES B
- CLASS 5060 10" TYPE AT ADJUSTABLE TORQUE BRAKE
- CLASS 5060 13" TYPE AT ADJUSTABLE TORQUE BRAKE
- CLASS 5060 16" TYPE AT ADJUSTABLE TORQUE BRAKE

**CONTACTORS**

**SAFETY LIMIT STOPS**

**MISCELLANEOUS**

**INDEX**



EC&M No. 30 TYPE WB BRAKE, FOLIO 2

| Item | OEM Part  | Description                   | Item | OEM Part  | Description             |
|------|-----------|-------------------------------|------|-----------|-------------------------|
| 01   | WB-383-A  | Spring Rod with Nuts          | 30   | WB-315    | Dust Shield             |
| 02   | WB-381    | Handle                        | 31   | Q-369     | Lead Block Stud         |
| 03   | WB-316    | Operating Spring              | 32   | WB-319    | Spring Pin              |
| 06   | WB-325    | Spring Rod Pin                | 33   | WB-314    | Spring Collar           |
| 07   | WB-387-A  | Armature                      | 34   | WB-326    | Centering Spring        |
| 11   | WB-3200-A | Assembled Shoe, Complete      | 35   | WB-329    | Terminal Guard          |
| 12   | WB-3317-A | Brake Shoe                    | 36   | WB-303    | Terminal Bushing        |
| 13   | WB-320    | Shoe Pin                      | 37   | WB-309    | Retaining Plate, Brass  |
| 15   | WB-322    | Shoe Lever Hinge Pin          | 37A  | WB-3183   | Retaining Plate         |
| 16   | WB-235    | Equalizing Screw              | 40   | WB-308    | Balance Lever           |
| 17   | WB-324    | Connecting Rod Pin            | 41   | WB-3217-A | Connecting Rod          |
| 18   | WB-318    | Brake Lining                  | 43   | WB-366    | Rivet                   |
| 19   | WB-305    | Shoe Lever                    | 46   | WB-355    | Shoe Adjusting Screw    |
| 20   | WB-385-A  | Shoe Lever With Spring Pin    | 50   | WB-345    | Armature Pin            |
| 21   | WB-389-A  | Frame                         | *    | WB-363    | Bushing, Armature/Lower |
| 22   | WB-332-A  | Shoe Adjusting Wheel w/ Screw | *    | WB-3144-A | Coil                    |
| 23   | WB-322    | Shoe Lever Hinge Pin          | *    | WB-362    | Bushing, Armature       |
| 24   | WB-321    | Armature Pin                  | *    | WB-365    | Bushing, Shoe Lever     |
| 25   | WB-333    | Special Cap Screw             | *    | WB-364    | Bushing, Frame          |
| 26   | WB-3184-A | Assembled Magnet              | *    | WB-361    | Bushing                 |
| 27   | WB-3174-A | Magnet Case                   | *    | WB-31XX   | Coil, 50 HP             |
| 28   | Q-368     | Lead Block                    |      |           |                         |

\* Not Pictured

This document utilizes an interactive table of contents to help you jump from one section to another. Click the button to return to the table of contents.

**RETURN TO TABLE OF CONTENTS**

**BRAKES**

- EC&M No. 5 TYPE WB BRAKE, FOLIO 2
- EC&M No. 10 TYPE WB BRAKE, FOLIO 2
- EC&M No. 20 TYPE WB BRAKE, FOLIO 2
- EC&M No. 22 TYPE WB BRAKE, FOLIO 1
- EC&M No. 30 TYPE WB BRAKE, FOLIO 2
- EC&M No. 30 TYPE WB BRAKE, FOLIO 3
- EC&M No. 40 TYPE WB BRAKE, FOLIO 2
- EC&M No. 40 TYPE WB BRAKE, FOLIO 3
- EC&M No. 50 TYPE WB BRAKE, FOLIO 2
- EC&M No. 50 TYPE WB BRAKE, FOLIO 3
- EC&M No. 60 TYPE WB BRAKE, FOLIO 1
- CLASS 5010 8" TYPE WB BRAKE, FOLIO 5
- CLASS 5010 10" TYPE WB BRAKE, FOLIO 5
- CLASS 5010 13" TYPE WB BRAKE, FOLIO 5
- CLASS 5010 16" TYPE WB BRAKE, FOLIO 5
- CLASS 5010 19" TYPE WB BRAKE, FOLIO 5
- CLASS 5010 23" TYPE WB BRAKE, FOLIO 5
- CLASS 5010 30" TYPE WB BRAKE, FOLIO 6
- CLASS 5010 8" TYPE F SERIES A
- CLASS 5010 10" TYPE F SERIES A
- CLASS 5010 13" TYPE F SERIES A
- CLASS 5010 16" TYPE F SERIES A
- CLASS 5010 19" TYPE F SERIES A
- CLASS 5010 23" TYPE F SERIES A
- CLASS 5010 30" TYPE F SERIES A
- CLASS 5010 10" TYPE F SERIES B
- CLASS 5010 13" TYPE F SERIES B
- CLASS 5010 16" TYPE F SERIES B
- CLASS 5010 23" TYPE F SERIES B
- CLASS 5060 10" TYPE AT ADJUSTABLE TORQUE BRAKE
- CLASS 5060 13" TYPE AT ADJUSTABLE TORQUE BRAKE
- CLASS 5060 16" TYPE AT ADJUSTABLE TORQUE BRAKE

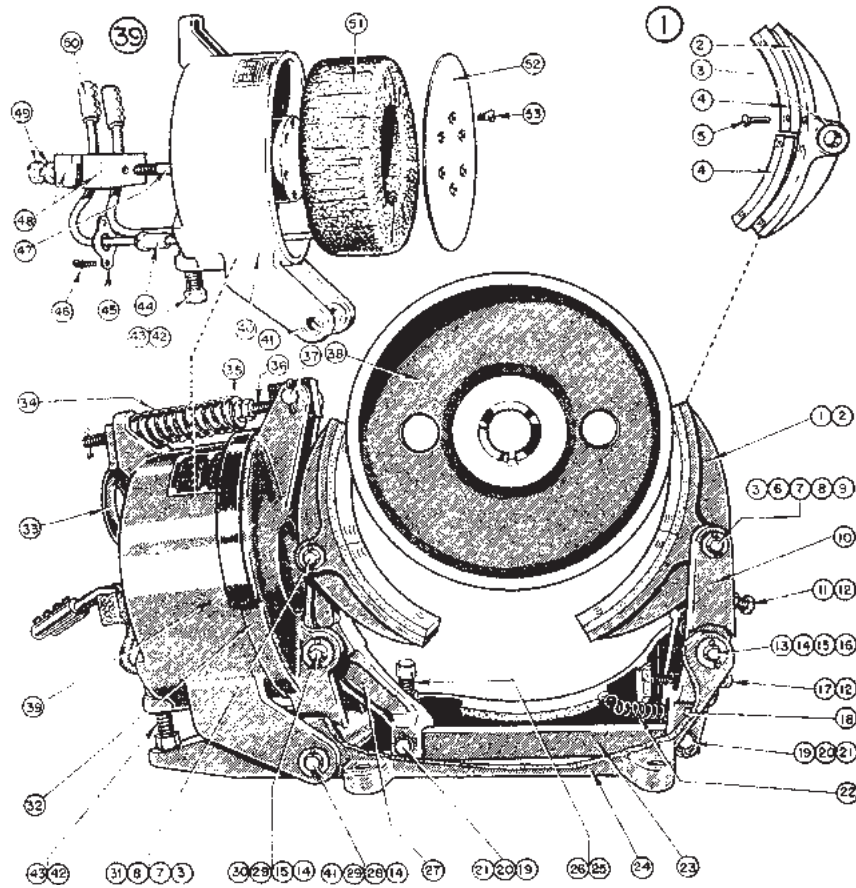
**CONTACTORS**

**SAFETY LIMIT STOPS**

**MISCELLANEOUS**

**INDEX**





EC&M No. 30 TYPE WB BRAKE, FOLIO 3

| Item | OEM Part  | Description               | Item | OEM Part  | Description          |
|------|-----------|---------------------------|------|-----------|----------------------|
| 01   | WB-3200-A | Assembled Shoe, Complete  | 25   | WB-3215   | Shoe Adjusting Screw |
| 02   | WB-3317-A | Brake Shoe                | 27   | WB-3202-A | Balance Lever        |
| 03   | FP-24B19  | Bearing                   | 28   | WB-3223   | Magnet Hinge Pin     |
| 04   | WB-318    | Brake Lining              | 29   | FP-24C11  | Bearing              |
| 05   | WB-366    | Rivet                     | 30   | WB-345    | Armature Pin         |
| 06   | WB-3213   | Shoe Pin                  | 31   | WB-3214   | Shoe Pin             |
| 07   | WB-3227   | Washer                    | 32   | WB-3190-A | Armature Complete    |
| 08   | FP-24B17  | Bearing                   | 33   | WB-381    | Handle               |
| 09   | WB-3220   | Spacer                    | 34   | WB-316    | Operating Spring     |
| 10   | WB-3204-A | Shoe Lever with Hinge Pin | 35   | WB-2249   | Spring Collar        |
| 11   | WB-355    | Shoe Adjusting Screw      | 36   | WB-383-A  | Spring Rod with Nuts |
| 13   | WB-322    | Shoe Lever Hinge Pin      | 37   | WB-325    | Spring Rod Pin       |
| 14   | WB-3228   | Washer                    | 39   | WB-3312-A | Assembled Magnet     |
| 15   | FP-24B21  | Bearing                   | 40   | WB-3192-A | Magnet Case          |
| 16   | FP-24B20  | Bearing                   | 41   | FP-24B22  | Bearing              |
| 17   | WB-235    | Equalizing Screw          | 42   | WB-333    | Special Cap Screw    |
| 18   | WB-319    | Spring Pin                | 44   | WB-303    | Terminal Bushing     |
| 19   | WB-324    | Connecting Rod Pin        | 45   | Q-305     | Terminal Guard       |
| 20   | FP-24B18  | Bearing                   | 47   | Q-369     | Lead Block Stud      |
| 21   | FP-24C10  | Bearing                   | 48   | Q-368     | Lead Block           |
| 22   | WB-326    | Centering Spring          | 51   | WB-3125-A | Coil                 |
| 23   | WB-3217-A | Connecting Rod            | 52   | WB-3138   | Retaining Plate      |
| 24   | WB-3186-A | Frame Complete            |      |           |                      |

This document utilizes an interactive table of contents to help you jump from one section to another. Click the button to return to the table of contents.

**RETURN TO  
TABLE OF CONTENTS**

**BRAKES**

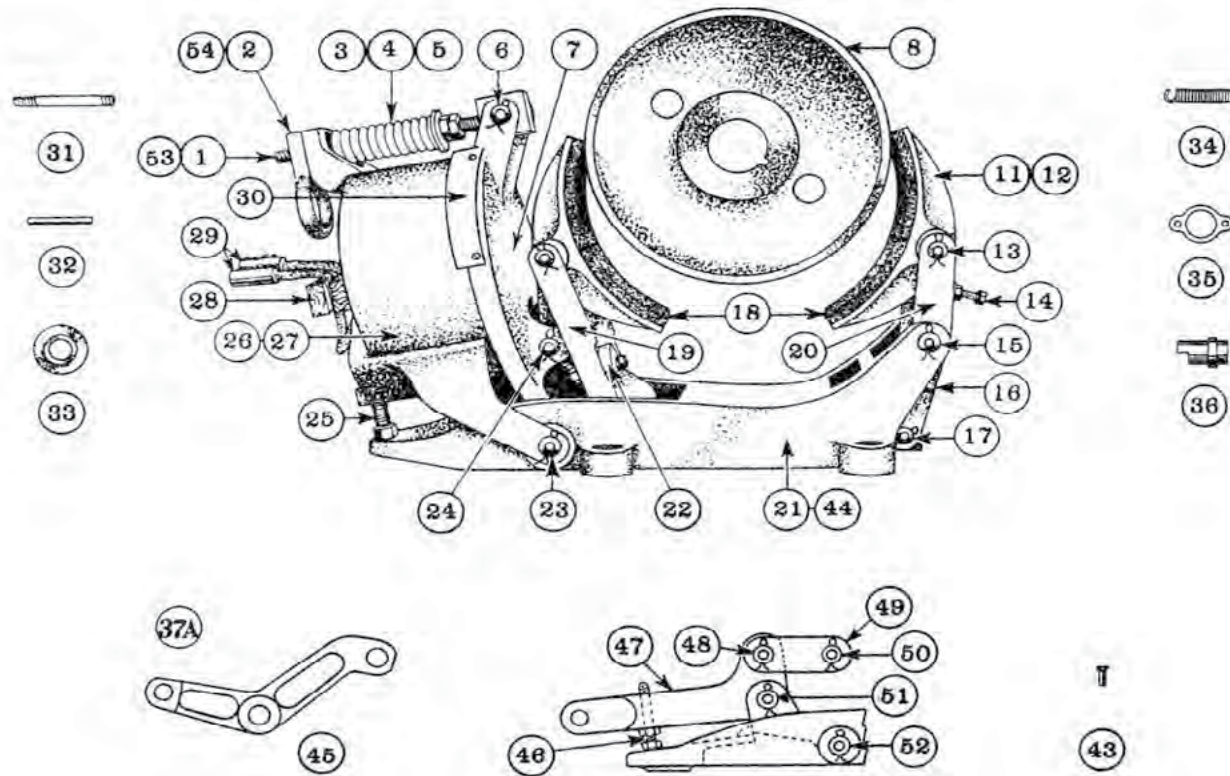
- EC&M No. 5 TYPE WB BRAKE, FOLIO 2
- EC&M No. 10 TYPE WB BRAKE, FOLIO 2
- EC&M No. 20 TYPE WB BRAKE, FOLIO 2
- EC&M No. 22 TYPE WB BRAKE, FOLIO 1
- EC&M No. 30 TYPE WB BRAKE, FOLIO 2
- EC&M No. 30 TYPE WB BRAKE, FOLIO 3
- EC&M No. 40 TYPE WB BRAKE, FOLIO 2
- EC&M No. 40 TYPE WB BRAKE, FOLIO 3
- EC&M No. 50 TYPE WB BRAKE, FOLIO 2
- EC&M No. 50 TYPE WB BRAKE, FOLIO 3
- EC&M No. 60 TYPE WB BRAKE, FOLIO 1
- CLASS 5010 8" TYPE WB BRAKE, FOLIO 5
- CLASS 5010 10" TYPE WB BRAKE, FOLIO 5
- CLASS 5010 13" TYPE WB BRAKE, FOLIO 5
- CLASS 5010 16" TYPE WB BRAKE, FOLIO 5
- CLASS 5010 19" TYPE WB BRAKE, FOLIO 5
- CLASS 5010 23" TYPE WB BRAKE, FOLIO 5
- CLASS 5010 30" TYPE WB BRAKE, FOLIO 6
- CLASS 5010 8" TYPE F SERIES A
- CLASS 5010 10" TYPE F SERIES A
- CLASS 5010 13" TYPE F SERIES A
- CLASS 5010 16" TYPE F SERIES A
- CLASS 5010 19" TYPE F SERIES A
- CLASS 5010 23" TYPE F SERIES A
- CLASS 5010 30" TYPE F SERIES A
- CLASS 5010 10" TYPE F SERIES B
- CLASS 5010 13" TYPE F SERIES B
- CLASS 5010 16" TYPE F SERIES B
- CLASS 5010 23" TYPE F SERIES B
- CLASS 5060 10" TYPE AT ADJUSTABLE TORQUE BRAKE
- CLASS 5060 13" TYPE AT ADJUSTABLE TORQUE BRAKE
- CLASS 5060 16" TYPE AT ADJUSTABLE TORQUE BRAKE

**CONTACTORS**

**SAFETY LIMIT STOPS**

**MISCELLANEOUS**

**INDEX**



EC&M No. 40 TYPE WB BRAKE, FOLIO 2

| Item    | OEM Part       | Description                  | Item    | OEM Part          | Description                 |
|---------|----------------|------------------------------|---------|-------------------|-----------------------------|
| 01..... | WB-483-A.....  | Spring Rod, with Nuts        | 28..... | Q-368.....        | Lead Block                  |
| 02..... | WB-381.....    | Handle                       | 30..... | WB-4163.....      | Dust Shield                 |
| 03..... | WB-416.....    | Brake Spring                 | 31..... | Q-369.....        | Lead Block Stud             |
| 04..... | WB-436.....    | Operating Spring             | 32..... | WB-419.....       | Centering Spring Pin        |
| 06..... | WB-425.....    | Spring Rod Pin               | 33..... | WB-414.....       | Spring Collar               |
| 07..... | WB-487-A.....  | Armature                     | 34..... | WB-426.....       | Centering Spring            |
| 11..... | WB-4200-A..... | Assembled Shoe, Complete     | 35..... | WB-529.....       | Terminal Guard              |
| 12..... | WB-4317-A..... | Brake Shoe                   | 36..... | WB-503.....       | Terminal Bushing            |
| 13..... | WB-420.....    | Shoe Pin                     | 37..... | WB-409.....       | Retaining Plate, Brass      |
| 14..... | WB-435.....    | Special Cap Screw            | 37..... | WB-4183.....      | Retaining Plate             |
| 15..... | WB-422.....    | Shoe Lever Hinge Pin         | 40..... | WB-408.....       | Balance Lever               |
| 16..... | WB-334.....    | Equalizing Screw             | 41..... | WB-4217-A.....    | Connecting Rod              |
| 17..... | WB-424.....    | Connecting Rod Pin           | 43..... | WB-366.....       | Rivet                       |
| 18..... | WB-418.....    | Brake Lining                 | 46..... | WB-455.....       | Magnet Adjusting Screw      |
| 19..... | WB-405.....    | Shoe Lever                   | *       | WB-466.....       | Bushing, Frame, Lower Inner |
| 20..... | WB-4204-A..... | Shoe Lever With Spring Pin   | *       | WB-4131-A.....    | Coil                        |
| 21..... | WB-489-A.....  | Frame                        | *       | WB-4132-A.....    | Coil, Series Wound 100-HP   |
| 22..... | WB-432-A.....  | Shoe Adjusting Wheel w/screw | *       | 51001-071-63..... | Brake Block Kit             |
| 23..... | WB-423.....    | Magnet Hinge Pin             | *       | WB-463.....       | Bushing, Armature           |
| 24..... | WB-421.....    | Armature Pin                 | *       | WB-461.....       | Bushing, Magnet Case        |
| 25..... | WB-433.....    | Special Cap Screw            | *       | WB-462.....       | Bushing, Shoe Lever         |
| 26..... | WB-4184-A..... | Assembled Magnet             | *       | WB-464.....       | Bushing, Armature/Lower     |
| 27..... | WB-4174-A..... | Magnet Case                  |         |                   |                             |

\* Not Pictured

This document utilizes an interactive table of contents to help you jump from one section to another. Click the button to return to the table of contents.

**RETURN TO  
TABLE OF CONTENTS**

**BRAKES**

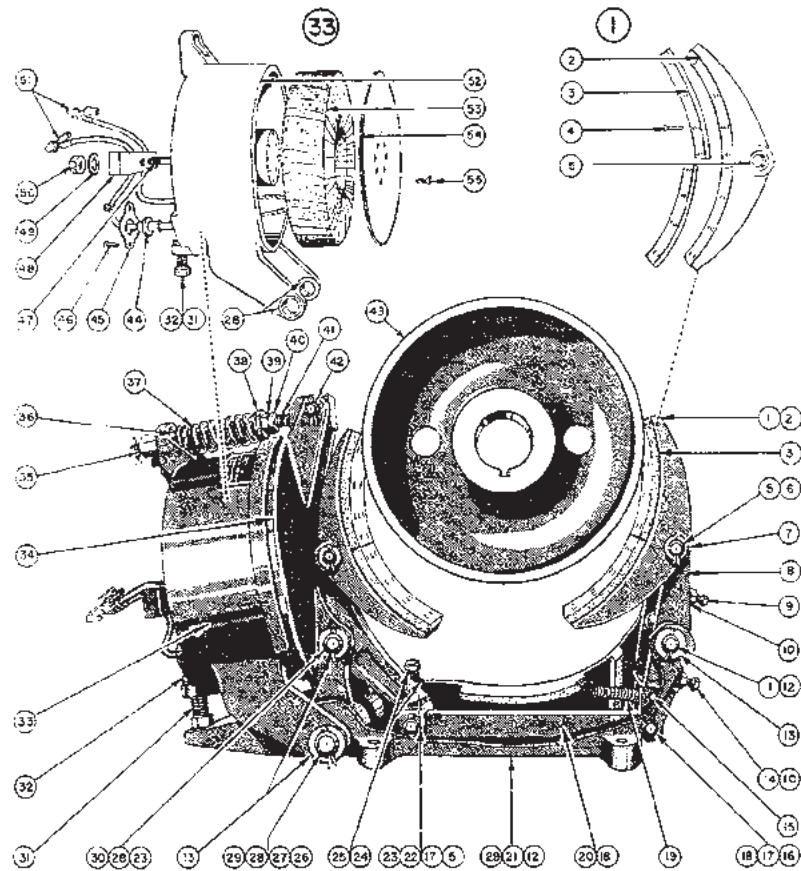
- EC&M No. 5 TYPE WB BRAKE, FOLIO 2
- EC&M No. 10 TYPE WB BRAKE, FOLIO 2
- EC&M No. 20 TYPE WB BRAKE, FOLIO 2
- EC&M No. 22 TYPE WB BRAKE, FOLIO 1
- EC&M No. 30 TYPE WB BRAKE, FOLIO 2
- EC&M No. 30 TYPE WB BRAKE, FOLIO 3
- EC&M No. 40 TYPE WB BRAKE, FOLIO 2
- EC&M No. 40 TYPE WB BRAKE, FOLIO 3
- EC&M No. 50 TYPE WB BRAKE, FOLIO 2
- EC&M No. 50 TYPE WB BRAKE, FOLIO 3
- EC&M No. 60 TYPE WB BRAKE, FOLIO 1
- CLASS 5010 8" TYPE WB BRAKE, FOLIO 5
- CLASS 5010 10" TYPE WB BRAKE, FOLIO 5
- CLASS 5010 13" TYPE WB BRAKE, FOLIO 5
- CLASS 5010 16" TYPE WB BRAKE, FOLIO 5
- CLASS 5010 19" TYPE WB BRAKE, FOLIO 5
- CLASS 5010 23" TYPE WB BRAKE, FOLIO 5
- CLASS 5010 30" TYPE WB BRAKE, FOLIO 6
- CLASS 5010 8" TYPE F SERIES A
- CLASS 5010 10" TYPE F SERIES A
- CLASS 5010 13" TYPE F SERIES A
- CLASS 5010 16" TYPE F SERIES A
- CLASS 5010 19" TYPE F SERIES A
- CLASS 5010 23" TYPE F SERIES A
- CLASS 5010 30" TYPE F SERIES A
- CLASS 5010 10" TYPE F SERIES B
- CLASS 5010 13" TYPE F SERIES B
- CLASS 5010 16" TYPE F SERIES B
- CLASS 5010 23" TYPE F SERIES B
- CLASS 5060 10" TYPE AT ADJUSTABLE TORQUE BRAKE
- CLASS 5060 13" TYPE AT ADJUSTABLE TORQUE BRAKE
- CLASS 5060 16" TYPE AT ADJUSTABLE TORQUE BRAKE

**CONTACTORS**

**SAFETY LIMIT STOPS**

**MISCELLANEOUS**

**INDEX**



EC&M No. 40 TYPE WB BRAKE, FOLIO 3

| Item | OEM Part  | Description                | Item | OEM Part  | Description               |
|------|-----------|----------------------------|------|-----------|---------------------------|
| 01   | WB-4200-A | Assembled Shoe, Complete   | 26   | WB-4223   | Magnet Hinge Pin          |
| 02   | WB-4317-A | Brake Shoe                 | 27   | FP-24B28  | Bearing                   |
| 03   | WB-418    | Brake Lining               | 28   | FP-24B26  | Bearing                   |
| 05   | FP-24B24  | Bearing                    | 29   | FP-24C31  | Bearing                   |
| 06   | WB-4213   | Shoe Pin                   | 30   | WB-4222   | Armature Pin              |
| 07   | FA-78     | Washer, for Shoe Lever Pin | 31   | WB-433    | Special Cap Screw         |
| 08   | WB-4204-A | Shoe Lever With Spring Pin | 33   | WB-4312-A | Assembled Magnet Complete |
| 09   | WB-4244   | Shoe Adjusting Screw       | 34   | WB-4190-A | Armature Complete         |
| 11   | WB-4240   | Shoe Lever Pin             | 35   | WB-4236-A | Spring Rod Nut            |
| 12   | FP-24B27  | Bearing                    | 36   | WB-4239   | Spring Retainer           |
| 13   | WB-4228   | Washer, for Shoe Lever Pin | 37   | WB-436    | Operating Spring          |
| 14   | WB-4243   | Equalizing Screw           | 38   | WB-414    | Spring Collar             |
| 15   | WB-419    | Centering Spring Pin       | 41   | WB-4234-A | Spring Rod                |
| 16   | WB-424    | Connecting Rod Pin         | 42   | WB-425    | Spring Rod Pin            |
| 17   | FP-24B23  | Bearing                    | 44   | WB-503    | Terminal Bushing          |
| 18   | FP-24C13  | Bearing                    | 45   | WB-529    | Terminal Guard            |
| 19   | WB-426    | Centering Spring           | 47   | Q-369     | Lead Block Stud           |
| 20   | WB-4217-A | Connecting Rod             | 48   | Q-368     | Lead Block                |
| 21   | WB-4186-A | Frame Complete             | 52   | WB-4192-A | Magnet Case               |
| 22   | WB-4202-A | Balance Lever              | 54   | WB-4183   | Retaining Plate           |
| 23   | FP-24C14  | Bearing                    | *    | WB-4146-A | Coil                      |
| 24   | WB-4215   | Shoe Adjusting Screw       |      |           |                           |

\* Not Pictured

This document utilizes an interactive table of contents to help you jump from one section to another. Click the button to return to the table of contents.

**RETURN TO  
TABLE OF CONTENTS**

**BRAKES**

- EC&M No. 5 TYPE WB BRAKE, FOLIO 2
- EC&M No. 10 TYPE WB BRAKE, FOLIO 2
- EC&M No. 20 TYPE WB BRAKE, FOLIO 2
- EC&M No. 22 TYPE WB BRAKE, FOLIO 1
- EC&M No. 30 TYPE WB BRAKE, FOLIO 2
- EC&M No. 30 TYPE WB BRAKE, FOLIO 3
- EC&M No. 40 TYPE WB BRAKE, FOLIO 2
- EC&M No. 40 TYPE WB BRAKE, FOLIO 3
- EC&M No. 50 TYPE WB BRAKE, FOLIO 2
- EC&M No. 50 TYPE WB BRAKE, FOLIO 3
- EC&M No. 60 TYPE WB BRAKE, FOLIO 1
- CLASS 5010 8" TYPE WB BRAKE, FOLIO 5
- CLASS 5010 10" TYPE WB BRAKE, FOLIO 5
- CLASS 5010 13" TYPE WB BRAKE, FOLIO 5
- CLASS 5010 16" TYPE WB BRAKE, FOLIO 5
- CLASS 5010 19" TYPE WB BRAKE, FOLIO 5
- CLASS 5010 23" TYPE WB BRAKE, FOLIO 5
- CLASS 5010 30" TYPE WB BRAKE, FOLIO 6
- CLASS 5010 8" TYPE F SERIES A
- CLASS 5010 10" TYPE F SERIES A
- CLASS 5010 13" TYPE F SERIES A
- CLASS 5010 16" TYPE F SERIES A
- CLASS 5010 19" TYPE F SERIES A
- CLASS 5010 23" TYPE F SERIES A
- CLASS 5010 30" TYPE F SERIES A
- CLASS 5010 10" TYPE F SERIES B
- CLASS 5010 13" TYPE F SERIES B
- CLASS 5010 16" TYPE F SERIES B
- CLASS 5010 23" TYPE F SERIES B
- CLASS 5060 10" TYPE AT ADJUSTABLE TORQUE BRAKE
- CLASS 5060 13" TYPE AT ADJUSTABLE TORQUE BRAKE
- CLASS 5060 16" TYPE AT ADJUSTABLE TORQUE BRAKE

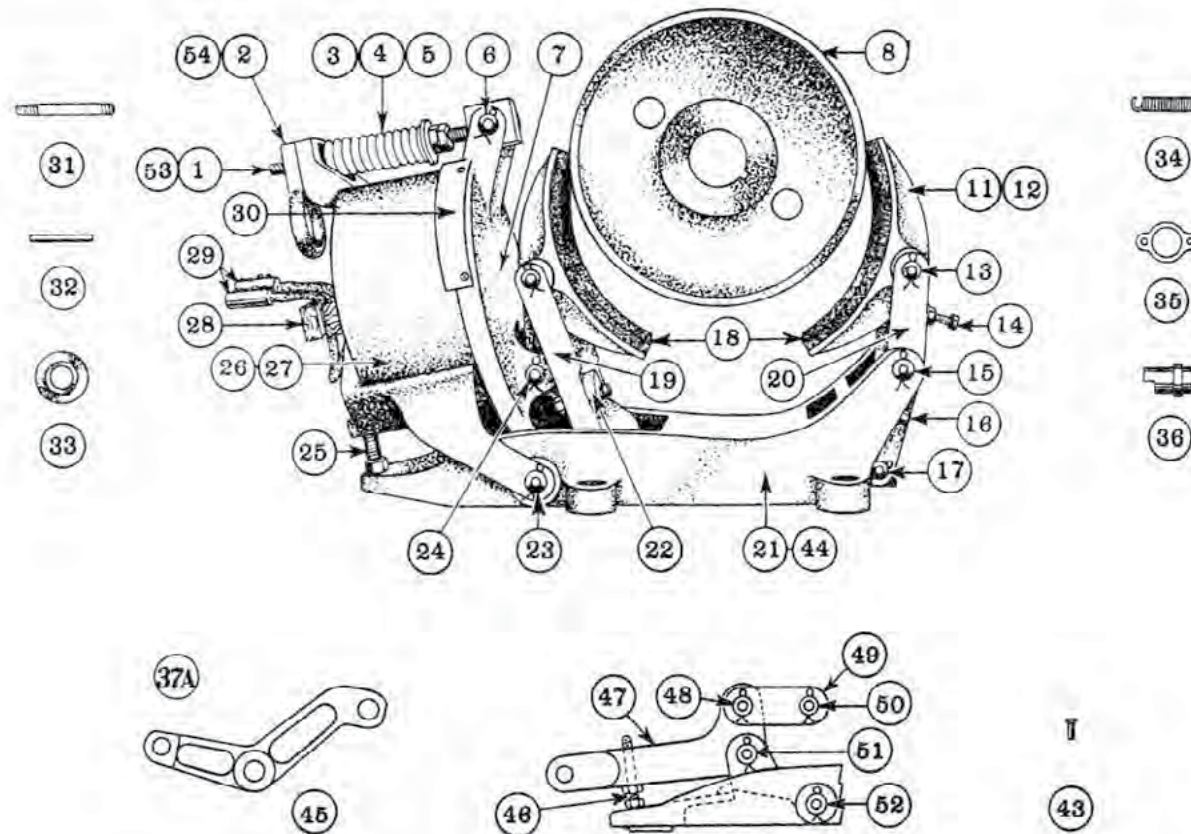
**CONTACTORS**

**SAFETY LIMIT STOPS**

**MISCELLANEOUS**

**INDEX**





EC&M No. 50 TYPE WB BRAKE, FOLIO 2

| Item    | OEM Part       | Description                  | Item     | OEM Part          | Description             |
|---------|----------------|------------------------------|----------|-------------------|-------------------------|
| 01..... | WB-583-A.....  | Spring Rod with Nuts         | 28.....  | Q-368.....        | Lead Block              |
| 02..... | WB-581.....    | Handle                       | 30.....  | WB-515.....       | Dust Shield             |
| 04..... | WB-516.....    | Operating Spring (Large)     | 31.....  | Q-369.....        | Lead Block Stud         |
| 05..... | WB-536.....    | Operating Spring (Small)     | 32.....  | WB-519.....       | Centering Spring Pin    |
| 06..... | WB-525.....    | Spring Rod Pin               | 33.....  | WB-514.....       | Spring Collar           |
| 07..... | WB-587-A.....  | Armature                     | 34.....  | WB-526.....       | Centering Spring        |
| 11..... | WB-5200-A..... | Assembled Shoe, Complete     | 35.....  | WB-529.....       | Terminal Guard          |
| 12..... | WB-5317-A..... | Brake Shoe                   | 36.....  | WB-503.....       | Terminal Bushing        |
| 13..... | WB-520.....    | Shoe Pin                     | 37.....  | WB-509.....       | Retaining Plate, Brass  |
| 14..... | WB-334.....    | Equalizing Screw             | 37a..... | WB-5183.....      | Retaining Plate, Steel  |
| 15..... | WB-522.....    | Shoe Lever Hinge Pin         | 39.....  | WB-5141-A.....    | Shunt Coil              |
| 16..... | WB-5029.....   | Special Cap Screw            | 40.....  | WB-508.....       | Balance Lever           |
| 17..... | WB-524.....    | Connecting Rod Pin           | 41.....  | WB-506.....       | Connecting Rod          |
| 18..... | WB-518.....    | Brake Lining                 | 42.....  | WB-556.....       | Shoe Pin Bearing        |
| 19..... | WB-505.....    | Shoe Lever                   | 43.....  | WB-559.....       | Lining Rivet            |
| 20..... | WB-585-A.....  | Shoe Lever With Spring Pin   | *        | WB-561.....       | Magnet Case Bushing     |
| 21..... | WB-589-A.....  | Frame                        | *        | WB-5129-A.....    | Series Coil             |
| 22..... | WB-532-A.....  | Shoe Adjusting Wheel w/screw | *        | 51001-071-64..... | Brake Block Kit         |
| 23..... | WB-523.....    | Magnet Hinge Pin             | *        | WB-5234-A.....    | Spring Rod              |
| 24..... | WB-521.....    | Armature Pin                 | *        | WB-562.....       | Bushing, Armature/Lower |
| 24..... | WB-5174-A..... | Magnet Case                  | *        | WB-564.....       | Bushing, Shoe Lever     |
| 25..... | WB-533.....    | Special Cap Screw            | *        | WB-563.....       | Bushing, Shoe Lever     |
| 26..... | WB-5184-A..... | Assembled Magnet             |          |                   |                         |

\* Not Pictured

This document utilizes an interactive table of contents to help you jump from one section to another. Click the button to return to the table of contents.

**RETURN TO TABLE OF CONTENTS**

**BRAKES**

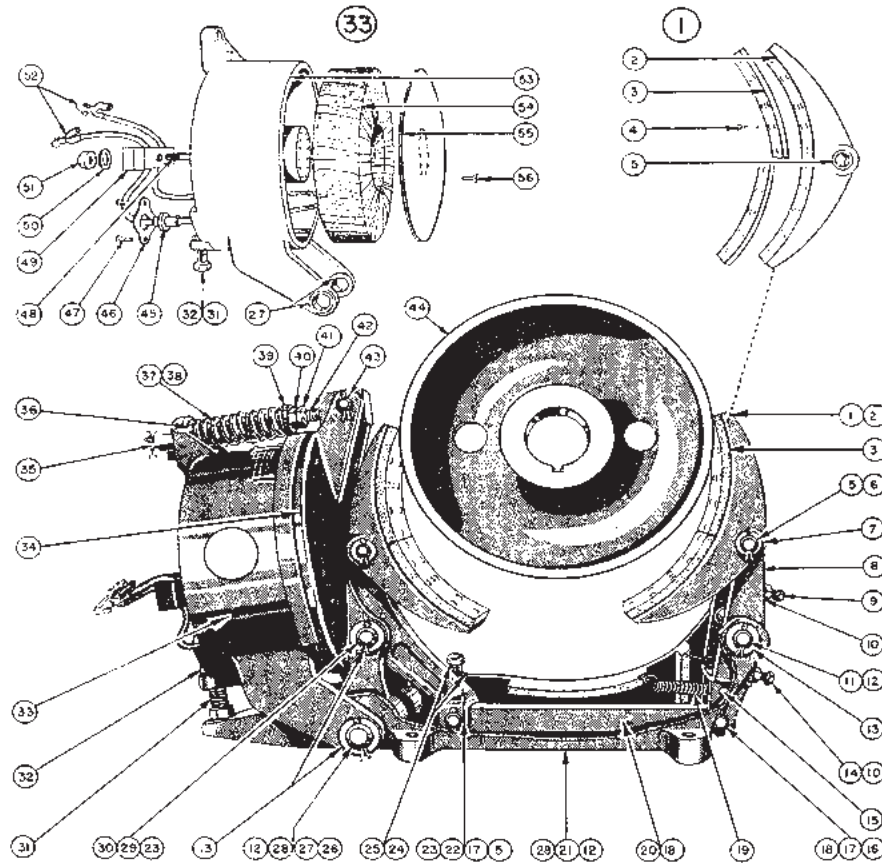
- EC&M No. 5 TYPE WB BRAKE, FOLIO 2
- EC&M No. 10 TYPE WB BRAKE, FOLIO 2
- EC&M No. 20 TYPE WB BRAKE, FOLIO 2
- EC&M No. 22 TYPE WB BRAKE, FOLIO 1
- EC&M No. 30 TYPE WB BRAKE, FOLIO 2
- EC&M No. 30 TYPE WB BRAKE, FOLIO 3
- EC&M No. 40 TYPE WB BRAKE, FOLIO 2
- EC&M No. 40 TYPE WB BRAKE, FOLIO 3
- EC&M No. 50 TYPE WB BRAKE, FOLIO 2
- EC&M No. 50 TYPE WB BRAKE, FOLIO 3
- EC&M No. 60 TYPE WB BRAKE, FOLIO 1
- CLASS 5010 8" TYPE WB BRAKE, FOLIO 5
- CLASS 5010 10" TYPE WB BRAKE, FOLIO 5
- CLASS 5010 13" TYPE WB BRAKE, FOLIO 5
- CLASS 5010 16" TYPE WB BRAKE, FOLIO 5
- CLASS 5010 19" TYPE WB BRAKE, FOLIO 5
- CLASS 5010 23" TYPE WB BRAKE, FOLIO 5
- CLASS 5010 30" TYPE WB BRAKE, FOLIO 6
- CLASS 5010 8" TYPE F SERIES A
- CLASS 5010 10" TYPE F SERIES A
- CLASS 5010 13" TYPE F SERIES A
- CLASS 5010 16" TYPE F SERIES A
- CLASS 5010 19" TYPE F SERIES A
- CLASS 5010 23" TYPE F SERIES A
- CLASS 5010 30" TYPE F SERIES A
- CLASS 5010 10" TYPE F SERIES B
- CLASS 5010 13" TYPE F SERIES B
- CLASS 5010 16" TYPE F SERIES B
- CLASS 5010 23" TYPE F SERIES B
- CLASS 5060 10" TYPE AT ADJUSTABLE TORQUE BRAKE
- CLASS 5060 13" TYPE AT ADJUSTABLE TORQUE BRAKE
- CLASS 5060 16" TYPE AT ADJUSTABLE TORQUE BRAKE

**CONTACTORS**

**SAFETY LIMIT STOPS**

**MISCELLANEOUS**

**INDEX**



EC&M No. 50 TYPE WB BRAKE, FOLIO 3

| Item | OEM Part  | Description              | Item | OEM Part  | Description                |
|------|-----------|--------------------------|------|-----------|----------------------------|
| 01   | WB-5200-A | Assembled Shoe, Complete | 26   | WB-5223   | Magnet Hinge Pin           |
| 03   | WB-518    | Brake Lining             | 27   | FP-24B30  | Bearing                    |
| 04   | WB-559    | Lining Rivet             | 28   | FP-24C16  | Bearing                    |
| 05   | FP-24B28  | Bearing                  | 29   | WB-5222   | Armature Pin               |
| 06   | WB-5213   | Shoe Pin                 | 30   | FP-24B29  | Bearing                    |
| 07   | WB-629    | Washer                   | 31   | WB-533    | Special Cap Screw          |
| 08   | WB-5204-A | Shoe Lever               | 33   | WB-5312-A | Assembled Magnet, Complete |
| 09   | WB-5244   | Shoe Adjusting Screw     | 34   | WB-5190-A | Armature                   |
| 11   | WB-5240   | Shoe Lever Pin           | 35   | WB-5236-A | Spring Rod Nut             |
| 12   | FP-24B31  | Bearing                  | 36   | WB-5239   | Spring Retainer            |
| 12   | WB-5317-A | Brake Shoe               | 37   | WB-516    | Operating Spring (Large)   |
| 13   | WB-627    | Washer                   | 38   | WB-536    | Operating Spring (Small)   |
| 14   | WB-5243   | Equalizing Screw         | 39   | WB-514    | Spring Collar              |
| 15   | WB-519    | Centering Spring Pin     | 42   | WB-4234-A | Spring Rod                 |
| 16   | WB-524    | Connecting Rod Pin       | 43   | WB-525    | Spring Rod Pin             |
| 17   | FP-24B25  | Bearing                  | 45   | WB-503    | Terminal Bushing           |
| 18   | FP-24C14  | Bearing                  | 46   | WB-529    | Terminal Guard             |
| 19   | WB-526    | Centering Spring         | 48   | Q-369     | Lead Block Stud            |
| 20   | WB-5217-A | Connecting Rod           | 49   | Q-368     | Lead Block                 |
| 21   | WB-5186-A | Frame, Complete          | 53   | WB-5192-A | Magnet Case, Complete      |
| 22   | WB-5202-A | Shoe Lever               | 55   | WB-5183   | Retaining Plate, Steel     |
| 23   | FP-24B15  | Bearing                  | *    | WB-5140-A | Coil                       |
| 23   | FP-24C15  | Bearing                  | *    | WB-5143-A | Shunt Coil                 |
| 24   | WB-4215   | Shoe Adjusting Screw     |      |           |                            |

\* Not Pictured

This document utilizes an interactive table of contents to help you jump from one section to another. Click the button to return to the table of contents.

**RETURN TO  
TABLE OF CONTENTS**

**BRAKES**

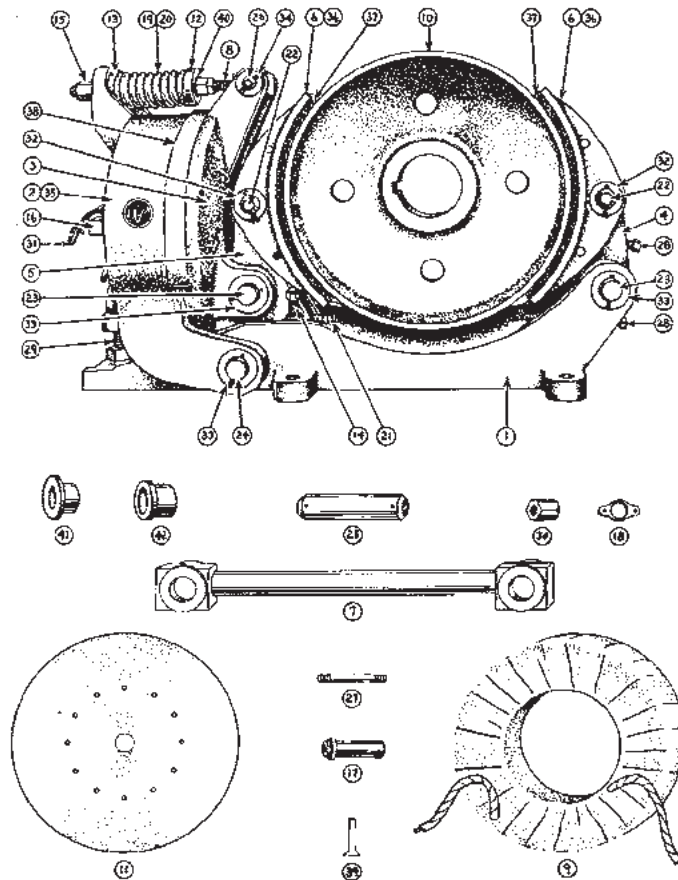
- EC&M No. 5 TYPE WB BRAKE, FOLIO 2
- EC&M No. 10 TYPE WB BRAKE, FOLIO 2
- EC&M No. 20 TYPE WB BRAKE, FOLIO 2
- EC&M No. 22 TYPE WB BRAKE, FOLIO 1
- EC&M No. 30 TYPE WB BRAKE, FOLIO 2
- EC&M No. 30 TYPE WB BRAKE, FOLIO 3
- EC&M No. 40 TYPE WB BRAKE, FOLIO 2
- EC&M No. 40 TYPE WB BRAKE, FOLIO 3
- EC&M No. 50 TYPE WB BRAKE, FOLIO 2
- EC&M No. 50 TYPE WB BRAKE, FOLIO 3
- EC&M No. 60 TYPE WB BRAKE, FOLIO 1
- CLASS 5010 8" TYPE WB BRAKE, FOLIO 5
- CLASS 5010 10" TYPE WB BRAKE, FOLIO 5
- CLASS 5010 13" TYPE WB BRAKE, FOLIO 5
- CLASS 5010 16" TYPE WB BRAKE, FOLIO 5
- CLASS 5010 19" TYPE WB BRAKE, FOLIO 5
- CLASS 5010 23" TYPE WB BRAKE, FOLIO 5
- CLASS 5010 30" TYPE WB BRAKE, FOLIO 6
- CLASS 5010 8" TYPE F SERIES A
- CLASS 5010 10" TYPE F SERIES A
- CLASS 5010 13" TYPE F SERIES A
- CLASS 5010 16" TYPE F SERIES A
- CLASS 5010 19" TYPE F SERIES A
- CLASS 5010 23" TYPE F SERIES A
- CLASS 5010 30" TYPE F SERIES A
- CLASS 5010 10" TYPE F SERIES B
- CLASS 5010 13" TYPE F SERIES B
- CLASS 5010 16" TYPE F SERIES B
- CLASS 5010 23" TYPE F SERIES B
- CLASS 5060 10" TYPE AT ADJUSTABLE TORQUE BRAKE
- CLASS 5060 13" TYPE AT ADJUSTABLE TORQUE BRAKE
- CLASS 5060 16" TYPE AT ADJUSTABLE TORQUE BRAKE

**CONTACTORS**

**SAFETY LIMIT STOPS**

**MISCELLANEOUS**

**INDEX**



EC&M No. 60 TYPE WB BRAKE, FOLIO 1

This document utilizes an interactive table of contents to help you jump from one section to another. Click the button to return to the table of contents.

**RETURN TO  
TABLE OF CONTENTS**

**BRAKES**

- EC&M No. 5 TYPE WB BRAKE, FOLIO 2
- EC&M No. 10 TYPE WB BRAKE, FOLIO 2
- EC&M No. 20 TYPE WB BRAKE, FOLIO 2
- EC&M No. 22 TYPE WB BRAKE, FOLIO 1
- EC&M No. 30 TYPE WB BRAKE, FOLIO 2
- EC&M No. 30 TYPE WB BRAKE, FOLIO 3
- EC&M No. 40 TYPE WB BRAKE, FOLIO 2
- EC&M No. 40 TYPE WB BRAKE, FOLIO 3
- EC&M No. 50 TYPE WB BRAKE, FOLIO 2
- EC&M No. 50 TYPE WB BRAKE, FOLIO 3
- EC&M No. 60 TYPE WB BRAKE, FOLIO 1
- CLASS 5010 8" TYPE WB BRAKE, FOLIO 5
- CLASS 5010 10" TYPE WB BRAKE, FOLIO 5
- CLASS 5010 13" TYPE WB BRAKE, FOLIO 5
- CLASS 5010 16" TYPE WB BRAKE, FOLIO 5
- CLASS 5010 19" TYPE WB BRAKE, FOLIO 5
- CLASS 5010 23" TYPE WB BRAKE, FOLIO 5
- CLASS 5010 30" TYPE WB BRAKE, FOLIO 6
- CLASS 5010 8" TYPE F SERIES A
- CLASS 5010 10" TYPE F SERIES A
- CLASS 5010 13" TYPE F SERIES A
- CLASS 5010 16" TYPE F SERIES A
- CLASS 5010 19" TYPE F SERIES A
- CLASS 5010 23" TYPE F SERIES A
- CLASS 5010 30" TYPE F SERIES A
- CLASS 5010 10" TYPE F SERIES B
- CLASS 5010 13" TYPE F SERIES B
- CLASS 5010 16" TYPE F SERIES B
- CLASS 5010 23" TYPE F SERIES B
- CLASS 5060 10" TYPE AT ADJUSTABLE TORQUE BRAKE
- CLASS 5060 13" TYPE AT ADJUSTABLE TORQUE BRAKE
- CLASS 5060 16" TYPE AT ADJUSTABLE TORQUE BRAKE

**CONTACTORS**

**SAFETY LIMIT STOPS**

**MISCELLANEOUS**

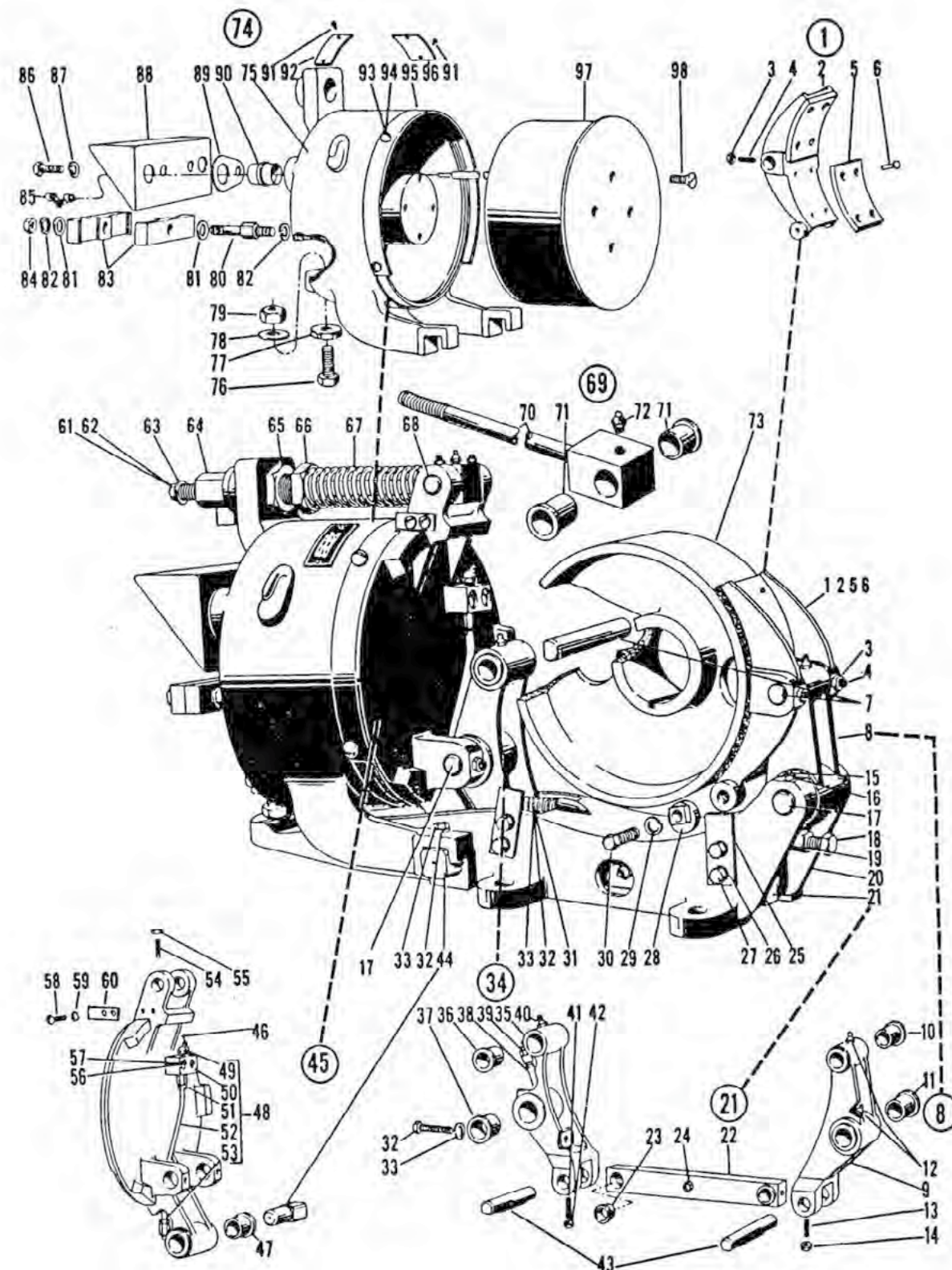
**INDEX**

| Item    | OEM Part       | Description             | Item    | OEM Part          | Description             |
|---------|----------------|-------------------------|---------|-------------------|-------------------------|
| 01..... | WB-689-A.....  | Frame                   | 22..... | WB-620.....       | Shoe Pin                |
| 02..... | WB-6174-A..... | Magnet Case             | 23..... | WB-622.....       | Shoe Lever Hinge Pin    |
| 03..... | WB-6112-A..... | Armature W/Dust Shield  | 24..... | WB-623.....       | Magnet Hinge Pin        |
| 04..... | WB-685-A.....  | Shoe Lever              | 25..... | WB-624.....       | Connecting Rod Pin      |
| 05..... | WB-686-A.....  | Shoe Lever              | 26..... | WB-625.....       | Spring Rod Pin          |
| 06..... | WB-610-A.....  | Assembled Shoe W/Lining | 27..... | WB-6171.....      | Lead Block Stud         |
| 07..... | WB-6070-A..... | Connecting Rod          | 28..... | WB-634.....       | Shoe Adjusting Screw    |
| 08..... | WB-683-A.....  | Spring Rod W/Nuts       | 29..... | WB-633.....       | Magnet Adjusting Screw  |
| 11..... | WB-6183.....   | Retaining Plate         | 30..... | WB-6169.....      | Spl. Nut For Adj. Screw |
| 12..... | WB-614.....    | Spring Retainer         | 32..... | WB-627.....       | Washer                  |
| 13..... | WB-6061.....   | Spring Retainer         | 33..... | WB-628.....       | Washer                  |
| 14..... | WB-6114.....   | Shoe Adjusting Screw    | 34..... | WB-629.....       | Washer                  |
| 15..... | WB-6012.....   | Spring Rod Nut          | 36..... | WB-6069-A.....    | Brake Shoe Only         |
| 16..... | WB-6168.....   | Lead Block              | 37..... | WB-618.....       | Brake Lining            |
| 17..... | WB-603.....    | Terminal Bushing        | 38..... | WB-615.....       | Dust Shield             |
| 18..... | Q-305.....     | Terminal Guard          | 39..... | WB-659.....       | Rivet                   |
| 19..... | WB-6179.....   | Operating Spring        | 40..... | WB-630.....       | Thrust Washer           |
| 20..... | WB-636.....    | Operating Spring, Inner | 41..... | FP-24B10.....     | Bearing                 |
| 21..... | WB-626.....    | Centering Spring        | 42..... | FP-24B11.....     | Bearing                 |
|         |                |                         | *       | 51001-071-65..... | Brake Block Kit         |

\* Not Pictured



## CLASS 5010 8" TYPE WB BRAKE, FOLIO 5



This document utilizes an interactive table of contents to help you jump from one section to another. Click the button to return to the table of contents.

## RETURN TO TABLE OF CONTENTS

### BRAKES

- EC&M No. 5 TYPE WB BRAKE, FOLIO 2
- EC&M No. 10 TYPE WB BRAKE, FOLIO 2
- EC&M No. 20 TYPE WB BRAKE, FOLIO 2
- EC&M No. 22 TYPE WB BRAKE, FOLIO 1
- EC&M No. 30 TYPE WB BRAKE, FOLIO 2
- EC&M No. 30 TYPE WB BRAKE, FOLIO 3
- EC&M No. 40 TYPE WB BRAKE, FOLIO 2
- EC&M No. 40 TYPE WB BRAKE, FOLIO 3
- EC&M No. 50 TYPE WB BRAKE, FOLIO 2
- EC&M No. 50 TYPE WB BRAKE, FOLIO 3
- EC&M No. 60 TYPE WB BRAKE, FOLIO 1
- CLASS 5010 8" TYPE WB BRAKE, FOLIO 5
- CLASS 5010 10" TYPE WB BRAKE, FOLIO 5
- CLASS 5010 13" TYPE WB BRAKE, FOLIO 5
- CLASS 5010 16" TYPE WB BRAKE, FOLIO 5
- CLASS 5010 19" TYPE WB BRAKE, FOLIO 5
- CLASS 5010 23" TYPE WB BRAKE, FOLIO 5
- CLASS 5010 30" TYPE WB BRAKE, FOLIO 6
- CLASS 5010 8" TYPE F SERIES A
- CLASS 5010 10" TYPE F SERIES A
- CLASS 5010 13" TYPE F SERIES A
- CLASS 5010 16" TYPE F SERIES A
- CLASS 5010 19" TYPE F SERIES A
- CLASS 5010 23" TYPE F SERIES A
- CLASS 5010 30" TYPE F SERIES A
- CLASS 5010 10" TYPE F SERIES B
- CLASS 5010 13" TYPE F SERIES B
- CLASS 5010 16" TYPE F SERIES B
- CLASS 5010 23" TYPE F SERIES B
- CLASS 5060 10" TYPE AT ADJUSTABLE TORQUE BRAKE
- CLASS 5060 13" TYPE AT ADJUSTABLE TORQUE BRAKE
- CLASS 5060 16" TYPE AT ADJUSTABLE TORQUE BRAKE

### CONTACTORS

### SAFETY LIMIT STOPS

### MISCELLANEOUS

### INDEX



CLASS 5010 8" TYPE WB BRAKE, FOLIO 5, DC

| Itm | OEM Part     | Description                               | Itm | OEM Part     | Description                    |
|-----|--------------|---|-----|--------------|--------------------------------|
| 01  | W-8004-A     | Assembled Brake Shoe, Complete            | 59  | 23701-00160  | Pl. Lock Washer                |
| 02  | W-8005       | Brake Shoe, only                          | 60  | W-8049       | Air Gap Indicator              |
| 02  | 23701-00200  | Pl. Lock Washer                           | 61  | 21401-20160  | H.I. Cap Screw                 |
| 03  | 52927-017-60 | Grease Fitting                            | 63  | LC-48        | Washer                         |
| 04  | FP-24B39     | Bearing                                   | 64  | W-8022       | Manual Release Nut             |
| 05  | W-8043       | Brake Block                               | 65  | W-8041       | Lock Nut                       |
| 06  | WB-0550      | Rivet                                     | 66  | W-8023       | Spring Adjusting Nut           |
| 06  | 23701-00200  | Pl. Lock Washer                           | 67  | W-8020       | Operating Spring               |
| 07  | W-8032       | Shoe Pin                                  | 67  | W-8134       | Spring, 50% Of Std. Torque     |
| 07  | FP-24B39     | Bearing                                   | 68  | W-10031      | 8" Spring Rod Pin              |
| 07  | 23701-00220  | Lock Washer                               | 69  | W-8012-A     | Assembled Spring Rod, Complete |
| 08  | W-8006-A     | Assembled Shoe Lever, Complete            | 70  | W-8094-A     | Spring Rod w/ Bearings         |
| 08  | 23701-00220  | Lock Washer                               | 71  | FP-24B47     | Bearing                        |
| 09  | W-8008-A     | Shoe Lever w/ Bearings                    | 72  | 52927-017-60 | Grease Fitting                 |
| 09  | 52927-017-60 | Grease Fitting                            | 74  | W-8001-A     | Assembled Magnet, Complete     |
| 10  | FP-24B45     | Bearing                                   | 75  | W-8017       | Magnet Case, only              |
| 11  | FP-24B39     | Bearing                                   | 76  | W-8040       | Magnet Adjusting Screw         |
| 12  | 52927-017-60 | Grease Fitting                            | 77  | W-8088       | Magnet Adjusting Nut           |
| 17  | W-8034       | Shoe Lever Pin                            | 78  | V-1011       | Washer                         |
| 18  | W-8027       | Equalizing Screw                          | 79  | W-8080       | Lock Nut                       |
| 19  | W-8042       | Lock Nut                                  | 80  | W-8090       | Lead Clamp Stud                |
| 20  | W-8018-A     | Assembled Frame, Complete                 | 81  | 23601-00220  | Washer                         |
| 21  | W-8009-A     | Assembled Connecting Rod, Comp            | 82  | 23701-00220  | Lock Washer                    |
| 22  | W-8095-A     | Connecting Rod w/ Bearings                | 83  | W-10091      | Lead Clamp                     |
| 23  | FP-24B47     | Bearing                                   | 84  | 23002-00220  | H.I. Nut                       |
| 24  | 52927-017-60 | Grease Fitting                            | 86  | 21401-22240  | H.I. Cap Screw                 |
| 25  | W-8025       | Cam Rail                                  | 88  | W-8089       | Terminal Shield                |
| 26  | 23701-00200  | Pl. Lock Washer                           | 89  | W-8039       | Lead Gasket                    |
| 27  | 21401-20240  | H.I. Cap Screw                            | 90  | W-8029       | Lead Bushing                   |
| 28  | W-8015-A     | Cam (replace with W-10117)                | 91  | 21008-06080  | Drive Screw                    |
| 28  | W-10117      | Adjusting Ring                            | 93  | 21001-20100  | R.I. Screw                     |
| 29  | 23701-00220  | Lock Washer                               | 94  | 23701-00200  | Pl. Lock Washer                |
| 30  | 21401-22400  | H.I. Cap Screw                            | 95  | W-8024       | Dust Shield                    |
| 31  | W-8021       | Centering Spring                          | 97  | W-8053-A     | Coil, 10-1/2 to 15 HP          |
| 32  | 21401-24400  | H.I. Cap Screw                            | 97  | W-8057-A     | Coil, 4-5 HP                   |
| 33  | 23701-00240  | Pl. Lock Washer                           | 97  | W-8056-A     | Coil, 6-7 HP                   |
| 34  | W-8007-A     | Assembled Shoe Lever, Complete            | 97  | W-8157       | Retaining Plate                |
| 35  | W-8008-A     | Shoe Lever w/ Bearings                    | 98  | 21101-20160  | F.I. Screw                     |
| 36  | FP-24B45     | Bearing                                   | *   | 29005-48310  | Frame Bushing                  |
| 37  | FP-24B39     | Bearing                                   | *   | W-8045       | Spring Collar                  |
| 38  | 25223-46480  | Pipe Nipple                               | *   | W-8028       | Frame Bushing                  |
| 40  | 52927-017-70 | Grease Fitting                            | *   | W-8065-A     | Coil, 115V                     |
| 43  | W-8098       | Connecting Rod Pin                        | *   | W-8055-A     | Coil, 7-9 HP                   |
| 44  |              | For Improved Construction use 44a and 44b |     |              |                                |
| 44a | W-8031       | Magnet Hinge Pin                          |     |              |                                |
| 44b | W-8132       | Collar                                    |     |              |                                |
| 45  | W-8002-A     | Assembled Armature, Complete              |     |              |                                |
| 46  | W-8003-A     | Armature w/ Bearings                      |     |              |                                |
| 48  | W-8047-A     | Assembled Grease Unit Complete            |     |              |                                |
| 49  | 52927-017-50 | Grease Fitting                            |     |              |                                |
| 50  | W-13026      | Header Block                              |     |              |                                |
| 51  | 52927-018-50 | Compression Fitting                       |     |              |                                |
| 52  | W-8048       | Tube                                      |     |              |                                |
| 53  | 52927-018-70 | Compression Fitting                       |     |              |                                |
| 56  | 21101-20400  | Fil. I. Cap Screw                         |     |              |                                |
| 57  | 23701-00200  | Pl. Lock Washer                           |     |              |                                |
| 58  | 21507-16160  | R.I. Screw                                |     |              |                                |

\* Not Pictured

This document utilizes an interactive table of contents to help you jump from one section to another. Click the button to return to the table of contents.

**RETURN TO  
TABLE OF CONTENTS**

**BRAKES**

- EC&M No. 5 TYPE WB BRAKE, FOLIO 2
- EC&M No. 10 TYPE WB BRAKE, FOLIO 2
- EC&M No. 20 TYPE WB BRAKE, FOLIO 2
- EC&M No. 22 TYPE WB BRAKE, FOLIO 1
- EC&M No. 30 TYPE WB BRAKE, FOLIO 2
- EC&M No. 30 TYPE WB BRAKE, FOLIO 3
- EC&M No. 40 TYPE WB BRAKE, FOLIO 2
- EC&M No. 40 TYPE WB BRAKE, FOLIO 3
- EC&M No. 50 TYPE WB BRAKE, FOLIO 2
- EC&M No. 50 TYPE WB BRAKE, FOLIO 3
- EC&M No. 60 TYPE WB BRAKE, FOLIO 1
- CLASS 5010 8" TYPE WB BRAKE, FOLIO 5
- CLASS 5010 10" TYPE WB BRAKE, FOLIO 5
- CLASS 5010 13" TYPE WB BRAKE, FOLIO 5
- CLASS 5010 16" TYPE WB BRAKE, FOLIO 5
- CLASS 5010 19" TYPE WB BRAKE, FOLIO 5
- CLASS 5010 23" TYPE WB BRAKE, FOLIO 5
- CLASS 5010 30" TYPE WB BRAKE, FOLIO 6
- CLASS 5010 8" TYPE F SERIES A
- CLASS 5010 10" TYPE F SERIES A
- CLASS 5010 13" TYPE F SERIES A
- CLASS 5010 16" TYPE F SERIES A
- CLASS 5010 19" TYPE F SERIES A
- CLASS 5010 23" TYPE F SERIES A
- CLASS 5010 30" TYPE F SERIES A
- CLASS 5010 10" TYPE F SERIES B
- CLASS 5010 13" TYPE F SERIES B
- CLASS 5010 16" TYPE F SERIES B
- CLASS 5010 23" TYPE F SERIES B
- CLASS 5060 10" TYPE AT ADJUSTABLE TORQUE BRAKE
- CLASS 5060 13" TYPE AT ADJUSTABLE TORQUE BRAKE
- CLASS 5060 16" TYPE AT ADJUSTABLE TORQUE BRAKE

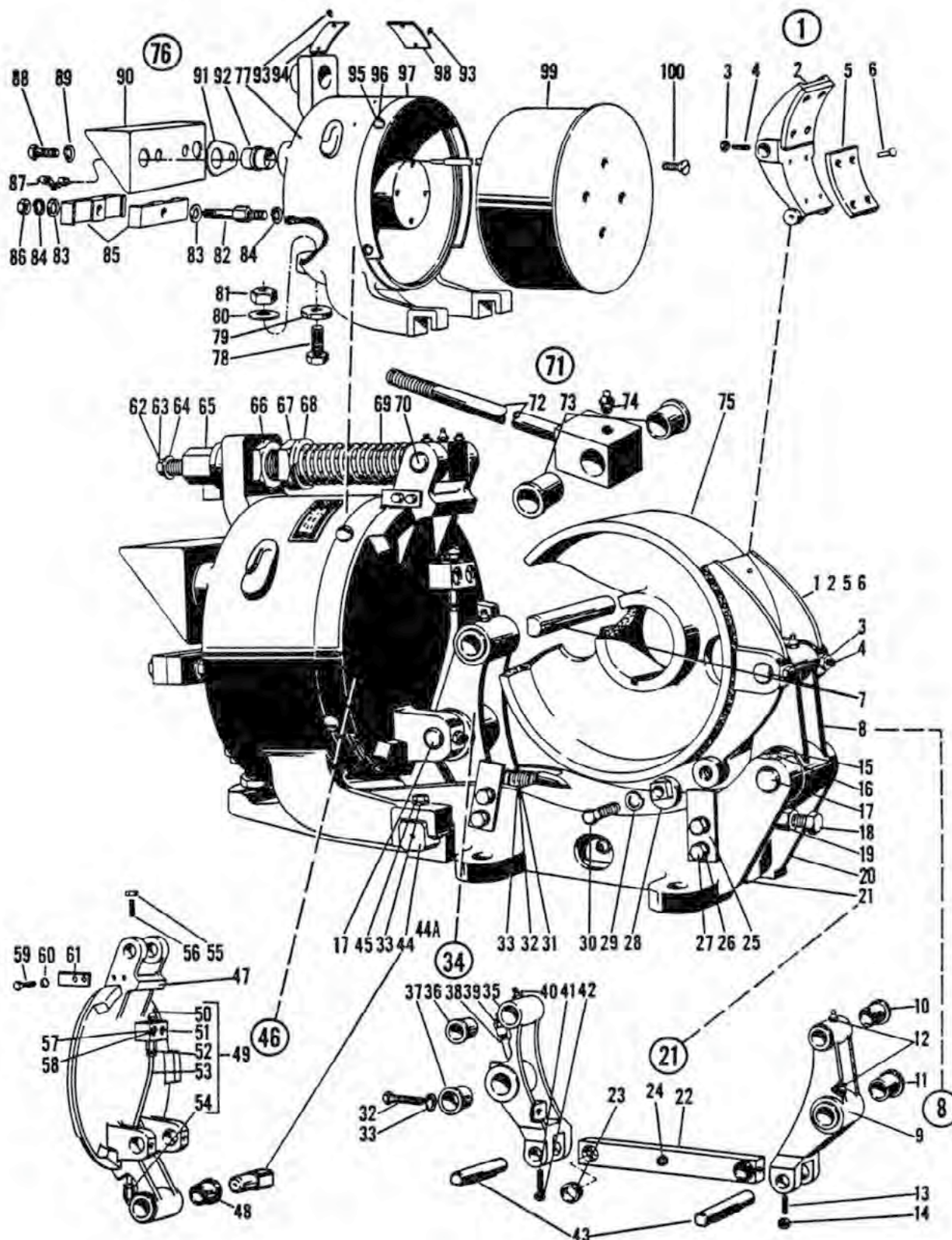
**CONTACTORS**

**SAFETY LIMIT STOPS**

**MISCELLANEOUS**

**INDEX**

## CLASS 5010 10" TYPE WB BRAKE, FOLIO 5



This document utilizes an interactive table of contents to help you jump from one section to another. Click the button to return to the table of contents.

## RETURN TO TABLE OF CONTENTS

### BRAKES

- EC&M No. 5 TYPE WB BRAKE, FOLIO 2
- EC&M No. 10 TYPE WB BRAKE, FOLIO 2
- EC&M No. 20 TYPE WB BRAKE, FOLIO 2
- EC&M No. 22 TYPE WB BRAKE, FOLIO 1
- EC&M No. 30 TYPE WB BRAKE, FOLIO 2
- EC&M No. 30 TYPE WB BRAKE, FOLIO 3
- EC&M No. 40 TYPE WB BRAKE, FOLIO 2
- EC&M No. 40 TYPE WB BRAKE, FOLIO 3
- EC&M No. 50 TYPE WB BRAKE, FOLIO 2
- EC&M No. 50 TYPE WB BRAKE, FOLIO 3
- EC&M No. 60 TYPE WB BRAKE, FOLIO 1
- CLASS 5010 8" TYPE WB BRAKE, FOLIO 5
- CLASS 5010 10" TYPE WB BRAKE, FOLIO 5
- CLASS 5010 13" TYPE WB BRAKE, FOLIO 5
- CLASS 5010 16" TYPE WB BRAKE, FOLIO 5
- CLASS 5010 19" TYPE WB BRAKE, FOLIO 5
- CLASS 5010 23" TYPE WB BRAKE, FOLIO 5
- CLASS 5010 30" TYPE WB BRAKE, FOLIO 6
- CLASS 5010 8" TYPE F SERIES A
- CLASS 5010 10" TYPE F SERIES A
- CLASS 5010 13" TYPE F SERIES A
- CLASS 5010 16" TYPE F SERIES A
- CLASS 5010 19" TYPE F SERIES A
- CLASS 5010 23" TYPE F SERIES A
- CLASS 5010 30" TYPE F SERIES A
- CLASS 5010 10" TYPE F SERIES B
- CLASS 5010 13" TYPE F SERIES B
- CLASS 5010 16" TYPE F SERIES B
- CLASS 5010 23" TYPE F SERIES B
- CLASS 5060 10" TYPE AT ADJUSTABLE TORQUE BRAKE
- CLASS 5060 13" TYPE AT ADJUSTABLE TORQUE BRAKE
- CLASS 5060 16" TYPE AT ADJUSTABLE TORQUE BRAKE

### CONTACTORS

### SAFETY LIMIT STOPS

### MISCELLANEOUS

### INDEX



CLASS 5010 10" TYPE WB BRAKE, FOLIO 5

This document utilizes an interactive table of contents to help you jump from one section to another. Click the button to return to the table of contents.

**RETURN TO  
TABLE OF CONTENTS**

**BRAKES**

- EC&M No. 5 TYPE WB BRAKE, FOLIO 2
- EC&M No. 10 TYPE WB BRAKE, FOLIO 2
- EC&M No. 20 TYPE WB BRAKE, FOLIO 2
- EC&M No. 22 TYPE WB BRAKE, FOLIO 1
- EC&M No. 30 TYPE WB BRAKE, FOLIO 2
- EC&M No. 30 TYPE WB BRAKE, FOLIO 3
- EC&M No. 40 TYPE WB BRAKE, FOLIO 2
- EC&M No. 40 TYPE WB BRAKE, FOLIO 3
- EC&M No. 50 TYPE WB BRAKE, FOLIO 2
- EC&M No. 50 TYPE WB BRAKE, FOLIO 3
- EC&M No. 60 TYPE WB BRAKE, FOLIO 1
- CLASS 5010 8" TYPE WB BRAKE, FOLIO 5
- CLASS 5010 10" TYPE WB BRAKE, FOLIO 5
- CLASS 5010 13" TYPE WB BRAKE, FOLIO 5
- CLASS 5010 16" TYPE WB BRAKE, FOLIO 5
- CLASS 5010 19" TYPE WB BRAKE, FOLIO 5
- CLASS 5010 23" TYPE WB BRAKE, FOLIO 5
- CLASS 5010 30" TYPE WB BRAKE, FOLIO 6
- CLASS 5010 8" TYPE F SERIES A
- CLASS 5010 10" TYPE F SERIES A
- CLASS 5010 13" TYPE F SERIES A
- CLASS 5010 16" TYPE F SERIES A
- CLASS 5010 19" TYPE F SERIES A
- CLASS 5010 23" TYPE F SERIES A
- CLASS 5010 30" TYPE F SERIES A
- CLASS 5010 10" TYPE F SERIES B
- CLASS 5010 13" TYPE F SERIES B
- CLASS 5010 16" TYPE F SERIES B
- CLASS 5010 23" TYPE F SERIES B
- CLASS 5060 10" TYPE AT ADJUSTABLE TORQUE BRAKE
- CLASS 5060 13" TYPE AT ADJUSTABLE TORQUE BRAKE
- CLASS 5060 16" TYPE AT ADJUSTABLE TORQUE BRAKE

**CONTACTORS**

**SAFETY LIMIT STOPS**

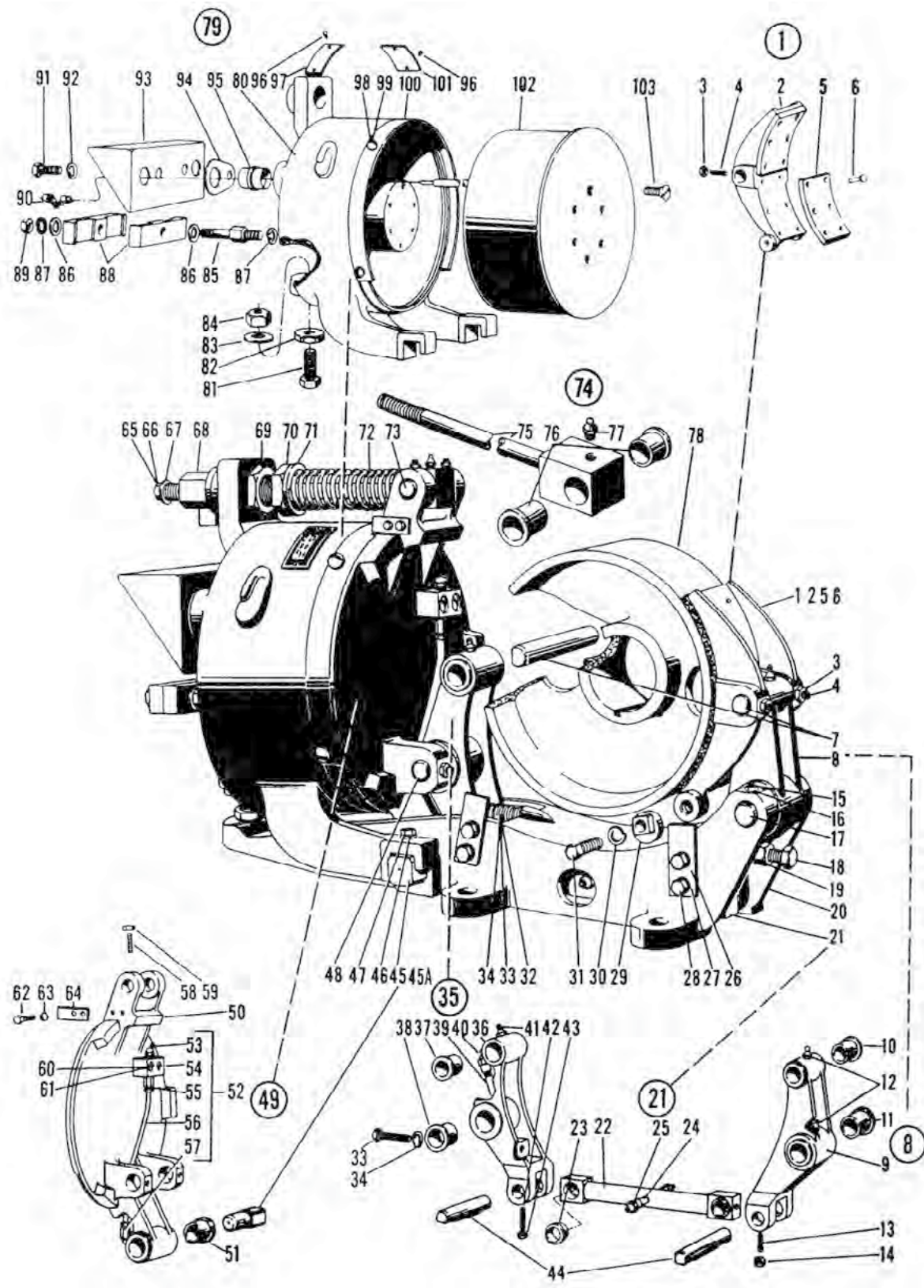
**MISCELLANEOUS**

**INDEX**

| Item | OEM Part     | Description                   | Item | OEM Part     | Description                    |
|------|--------------|-------------------------------|------|--------------|--------------------------------|
| 01   | W-10004-A    | Assembled Brake Shoe Complete | 54   | 52927-018-70 | Compression Fitting            |
| 02   | W-10005      | Brake Shoe, Only              | 55   |              | Set Screw                      |
| 03   |              | H.I. Check Nut                | 56   |              | H.I. Check Nut                 |
| 04   |              | Set Screw                     | 59   |              | Hex Head Cap Screw, Plated     |
| 05   | W-10043      | Brake Block                   | 60   |              | Plated Lock Washer             |
| 06   | WB-159       | Lining Rivet                  | 61   | W-13049      | Air Gap Indicator              |
| 07   | W-10032      | Shoe Pin                      | 62   |              | Hex Head Cap Screw, Plated     |
| 08   | W-10006-A    | Assembled Shoe Lever          | 63   |              | Plated Lock Washer             |
| 09   | W-10008-A    | Shoe Lever With Bearings      | 64   | LC-48        | Washer                         |
| 10   | FP-24B45     | Bearing                       | 65   | W-10022      | Manual Release Nut             |
| 11   | FP-24B40     | Bearing                       | 66   | W-10041      | Lock Nut                       |
| 12   | 52927-017-60 | Grease Fitting                | 67   | W-10023      | Spring Adjusting Nut           |
| 13   |              |                               | 68   | W-10045      | Spring Collar                  |
| 14   |              | H.I. Check Nut                | 69   | W-10020      | Operating Spring               |
| 15   |              | Set Screw                     | 70   | W-10035      | Spring Rod Pin                 |
| 16   |              | H.I. Check Nut                | 71   | W-10012-A    | Assembled Spring Rod           |
| 17   | W-10033      | Shoe Lever Pin                | 72   | W-10094-A    | Spring Rod                     |
| 17a  | W-10034      | Shoe Lever Pin, Armature End  | 73   | FP-24B47     | Bearing                        |
| 18   | WB-355       | Shoe Adjusting Screw          | 74   | 52927-017-60 | Grease Fitting                 |
| 19   | W-10042      | Lock Nut                      | 76   | W-10001-A    | Assembled Magnet               |
| 20   | W-10018-A    | Assembled Frame, Complete     | 77   | W-10017      | Magnet Case                    |
| 21   | W-10009-A    | Assembled Connecting Rod      | 78   | W-10040      | Magnet Adjusting Screw         |
| 22   | W-10095-A    | Connecting Rod                | 79   | W-10088      | Magnet Adjusting Nut           |
| 23   | FP-24B47     | Bearing                       | 80   | W-10092      | Washer                         |
| 24   | FP-25A11     | Grease Fitting                | 81   | W-10080      | Lock Nut                       |
| 25   | W-10025      | Cam Rail                      | 82   | W-10090      | Lead Clamp Stud                |
| 26   |              | Plated Lock Washer            | 83   |              | Flat Washer, Plated            |
| 27   | 02701-00200  | Pl. Lk. Washer                | 84   |              | Plated Lock Washer             |
| 27   |              | Hex Head Cap Screw, Plated    | 85   | W-10091      | Lead Clamp                     |
| 28   | W-8015-A     | Cam (replace with W-10117)    | 86   |              | Hex Nut, Plated                |
| 29   |              | Plated Lock Washer            | 88   |              | Hex Head Cap Screw, Plated     |
| 30   |              | Hex Head Cap Screw, Plated    | 89   |              | Plated Lock Washer             |
| 31   | W-10021      | Centering Spring              | 90   | W-10089      | Terminal Shield                |
| 33   |              | Lock Washer, Plated           | 92   | W-10029      | Lead Bushing                   |
| 34   | W-10007-A    | Assembled Shoe Lever          | 93   |              | Drive Screw                    |
| 35   | W-10008-A    | Shoe Lever With Bearings      | 95   |              | R.I. Screw                     |
| 36   | FP-24B45     | Bearing                       | 96   |              | Plated Lock Washer             |
| 37   | FP-24B40     | Bearing                       | 97   | W-10024      | Dust Shield                    |
| 39   | 52927-017-60 | Grease Fitting                | *    | W-10113      | Spring, 12 1/2% Of Std. Torque |
| 40   | 52927-017-70 | Grease Fitting                | *    | W-10265-A    | Shunt Coil, 115 VDC            |
| 41   |              | Set Screw                     | *    | W-10254-A    | Coil, 16-20 HP                 |
| 42   |              | H.I. Check Nut                | *    | W-10118      | Spring, 50% Of Std. Torque     |
| 43   | W-10098      | 10" Connecting Rod Pin        | *    | W-10264-A    | Shunt Coil                     |
| 44   | W-10030      | Magnet Hinge Pin              | *    | W-10039      | Lead Gasket                    |
| 44a  | W-10028      | Frame Bushing                 | *    | FP-25A18     | Compression Fitting            |
| 44b  | W-10114      | Pin                           | *    | FP-25A17     | Compression Fitting            |
| 44c  | W-10115      | Collar                        | *    | FP-25A16     | Grease Fitting                 |
| 45   |              | Hex Head Cap Screw, Plated    | *    | FP-25A15     | Grease Fitting                 |
| 46   | W-10002-A    | Assembled Armature            |      |              |                                |
| 47   | W-10003-A    | Armature, Complete            |      |              |                                |
| 48   | FP-24B40     | Bearing                       |      |              |                                |
| 49   | W-10047-A    | Assembled Grease Unit         |      |              |                                |
| 50   | 52927-017-50 | Grease Fitting                |      |              |                                |
| 51   | W-13026      | Header Block                  |      |              |                                |
| 52   | 52927-018-50 | Compression Fitting           |      |              |                                |
| 53   | W-10048      | Tube                          |      |              |                                |

\* Not Pictured

CLASS 5010 13" TYPE WB BRAKE, FOLIO 5



This document utilizes an interactive table of contents to help you jump from one section to another. Click the button to return to the table of contents.

**RETURN TO  
TABLE OF CONTENTS**

**BRAKES**

- EC&M No. 5 TYPE WB BRAKE, FOLIO 2
- EC&M No. 10 TYPE WB BRAKE, FOLIO 2
- EC&M No. 20 TYPE WB BRAKE, FOLIO 2
- EC&M No. 22 TYPE WB BRAKE, FOLIO 1
- EC&M No. 30 TYPE WB BRAKE, FOLIO 2
- EC&M No. 30 TYPE WB BRAKE, FOLIO 3
- EC&M No. 40 TYPE WB BRAKE, FOLIO 2
- EC&M No. 40 TYPE WB BRAKE, FOLIO 3
- EC&M No. 50 TYPE WB BRAKE, FOLIO 2
- EC&M No. 50 TYPE WB BRAKE, FOLIO 3
- EC&M No. 60 TYPE WB BRAKE, FOLIO 1
- CLASS 5010 8" TYPE WB BRAKE, FOLIO 5
- CLASS 5010 10" TYPE WB BRAKE, FOLIO 5
- CLASS 5010 13" TYPE WB BRAKE, FOLIO 5
- CLASS 5010 16" TYPE WB BRAKE, FOLIO 5
- CLASS 5010 19" TYPE WB BRAKE, FOLIO 5
- CLASS 5010 23" TYPE WB BRAKE, FOLIO 5
- CLASS 5010 30" TYPE WB BRAKE, FOLIO 6
- CLASS 5010 8" TYPE F SERIES A
- CLASS 5010 10" TYPE F SERIES A
- CLASS 5010 13" TYPE F SERIES A
- CLASS 5010 16" TYPE F SERIES A
- CLASS 5010 19" TYPE F SERIES A
- CLASS 5010 23" TYPE F SERIES A
- CLASS 5010 30" TYPE F SERIES A
- CLASS 5010 10" TYPE F SERIES B
- CLASS 5010 13" TYPE F SERIES B
- CLASS 5010 16" TYPE F SERIES B
- CLASS 5010 23" TYPE F SERIES B
- CLASS 5060 10" TYPE AT ADJUSTABLE TORQUE BRAKE
- CLASS 5060 13" TYPE AT ADJUSTABLE TORQUE BRAKE
- CLASS 5060 16" TYPE AT ADJUSTABLE TORQUE BRAKE

**CONTACTORS**

**SAFETY LIMIT STOPS**

**MISCELLANEOUS**

**INDEX**



CLASS 5010 13" TYPE WB BRAKE, FOLIO 5

This document utilizes an interactive table of contents to help you jump from one section to another. Click the button to return to the table of contents.

**RETURN TO TABLE OF CONTENTS**

**BRAKES**

- EC&M No. 5 TYPE WB BRAKE, FOLIO 2
- EC&M No. 10 TYPE WB BRAKE, FOLIO 2
- EC&M No. 20 TYPE WB BRAKE, FOLIO 2
- EC&M No. 22 TYPE WB BRAKE, FOLIO 1
- EC&M No. 30 TYPE WB BRAKE, FOLIO 2
- EC&M No. 30 TYPE WB BRAKE, FOLIO 3
- EC&M No. 40 TYPE WB BRAKE, FOLIO 2
- EC&M No. 40 TYPE WB BRAKE, FOLIO 3
- EC&M No. 50 TYPE WB BRAKE, FOLIO 2
- EC&M No. 50 TYPE WB BRAKE, FOLIO 3
- EC&M No. 60 TYPE WB BRAKE, FOLIO 1
- CLASS 5010 8" TYPE WB BRAKE, FOLIO 5
- CLASS 5010 10" TYPE WB BRAKE, FOLIO 5
- CLASS 5010 13" TYPE WB BRAKE, FOLIO 5
- CLASS 5010 16" TYPE WB BRAKE, FOLIO 5
- CLASS 5010 19" TYPE WB BRAKE, FOLIO 5
- CLASS 5010 23" TYPE WB BRAKE, FOLIO 5
- CLASS 5010 30" TYPE WB BRAKE, FOLIO 6
- CLASS 5010 8" TYPE F SERIES A
- CLASS 5010 10" TYPE F SERIES A
- CLASS 5010 13" TYPE F SERIES A
- CLASS 5010 16" TYPE F SERIES A
- CLASS 5010 19" TYPE F SERIES A
- CLASS 5010 23" TYPE F SERIES A
- CLASS 5010 30" TYPE F SERIES A
- CLASS 5010 10" TYPE F SERIES B
- CLASS 5010 13" TYPE F SERIES B
- CLASS 5010 16" TYPE F SERIES B
- CLASS 5010 23" TYPE F SERIES B
- CLASS 5060 10" TYPE AT ADJUSTABLE TORQUE BRAKE
- CLASS 5060 13" TYPE AT ADJUSTABLE TORQUE BRAKE
- CLASS 5060 16" TYPE AT ADJUSTABLE TORQUE BRAKE

**CONTACTORS**

**SAFETY LIMIT STOPS**

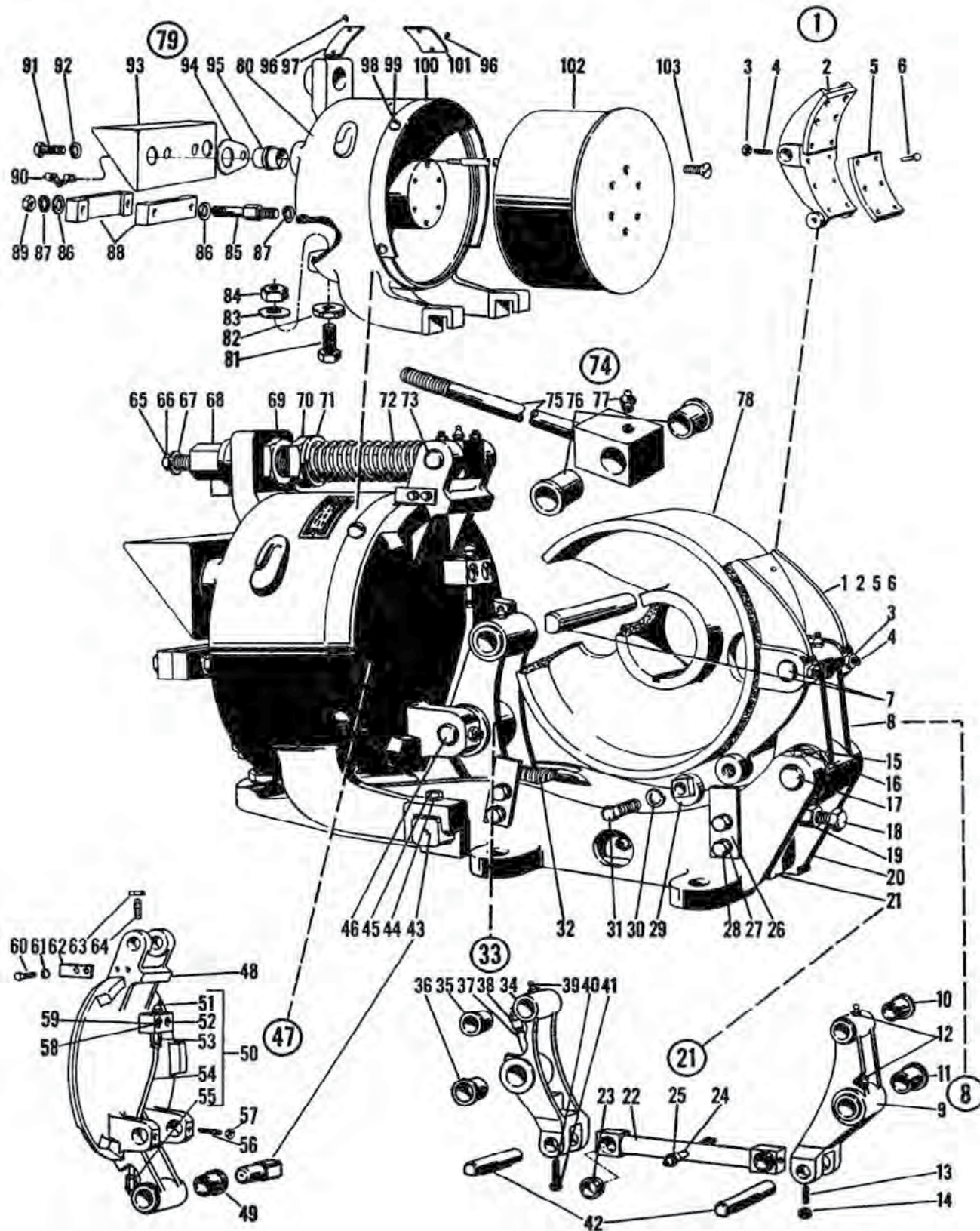
**MISCELLANEOUS**

**INDEX**

| Itm | OEM Part     | Description                             | Itm | OEM Part          | Description                    |
|-----|--------------|---|-----|-------------------|--------------------------------|
| 01  | W-13004-A    | Assembled Brake Shoe, Complete          | 57  | 52927-018-70      | Compression Fitting            |
| 02  | W-13005      | Shoe                                    | 58  | 22903-24200       | Set Screw                      |
| 03  | 22903-24200  | Set Screw                               | 60  | 21101-20400       | Fil. I. Cap Screw              |
| 05  | W-13043      | Brake Block                             | 61  | 23701-00200       | Pl. Lock Washer                |
| 06  | W-13046      | Rivet                                   | 62  | 21401-20200       | H.I. Cap Screw                 |
| 07  | W-13032      | Shoe Pin                                | 63  | 23701-00200       | Pl. Lock Washer                |
| 08  | W-13006-A    | Assembled Shoe Lever                    | 64  | W-13049           | Air Gap Indicator              |
| 09  | W-13008-A    | Shoe Lever with Bearing                 | 65  | 21401-22240       | H.I. Cap Screw                 |
| 10  | 29005-56404  | Bearing                                 | 66  | 23701-00200       | Pl. Lock Washer                |
| 100 | W-13024      | Dust Shield                             | 66  | 23701-00220       | Lock Washer                    |
| 11  | 29005-66446  | Bearing                                 | 67  | TW-76             | Washer                         |
| 12  | 52927-017-60 | Grease Fitting                          | 68  | W-13022           | Manual Release Nut             |
| 15  | 22903-24200  | Set Screw                               | 69  | W-13041           | Lock Nut                       |
| 17  | W-13033      | Shoe Lever Pin (Frame End)              | 70  | W-13023           | Spring Adjusting Nut           |
| 18  | WB-235       | Equalizing Screw                        | 71  | W-13045           | Spring Collar                  |
| 19  | W-13042      | Lock Nut                                | 72  | W-13020           | Operating Spring               |
| 20  | W-13018-A    | Assembled Frame, Complete               | 72a | W-13121           | Spring, 33% Of Std. Torque     |
| *   | W-13028      | Bronze Frame Bushing                    | 72b | W-13120           | Spring, 66% Of Std. Torque     |
| 21  | W-13009-A    | Assembled Connecting Rod, Comp          | 72c | W-13163           | Spring, 50% of Std. Torque     |
| 21a | W-13151-A    | Connecting Rod W/Bearings               | 73  | W-13035           | Spring Rod Pin                 |
| 22  | W-13095-A    | Connecting Rod with Bearings            | 74  | W-13012-A         | Assembled Spring Rod, Comp     |
| 23  | 29005-56403  | Bearing                                 | 75  | W-13094-A         | Assembled Spring Rod, Complete |
| 24  | 25223-46400  | Pipe Nipple                             | 76  | 29005-48320       | Bearing                        |
| 25  | 52927-017-70 | Grease Fitting                          | 77  | 52927-017-60      | Grease Fitting                 |
| 26  | W-13025      | Cam Rail                                | 79  | W-13001-A         | Assembled Magnet, Complete     |
| 27  | 23701-00200  | Pl. Lock Washer                         | 80  | W-13087-A         | Magnet Case, Only              |
| 28  | 21401-20240  | H.I. Cap Screw                          | 81  | W-13040           | Magnet Adjusting Screw         |
| 29  | W-13015-A    | Cam                                     | 81a | W-16165           | Stop Bracket                   |
| 30  | 23701-00240  | Pl. Lock Washer                         | 82  | W-13088           | Magnet Adjusting Nut           |
| 31  | 21401-24480  | H.I. Cap Screw                          | 83  | W-13092           | Washer                         |
| 32  | WB-2330      | Centering Spring                        | 84  | W-13080           | Lock Nut                       |
| 33  | WB-234       | Magnet Adjusting Screw                  | 85  | W-13090           | Lead Clamp Stud                |
| 34  | 23701-00280  | Lock Washer                             | 86  | 23601-00240       | Washer                         |
| 35  | W-13007-A    | Assembled Shoe Lever, Complete          | 87  | 23701-00240       | Pl. Lock Washer                |
| 36  | W-13008-A    | Shoe Lever with Bearing                 | 88  | W-13091           | Lead Clamp                     |
| 37  | 29005-56404  | Bearing                                 | 89  | 23002-00240       | H.I. Nut                       |
| 38  | 29005-66446  | Bearing                                 | 91  | 21401-24240       | H.I. Cap Screw                 |
| 39  | 25223-46680  | Pipe Nipple                             | 92  | 23701-00240       | Pl. Lock Washer                |
| 40  | 52927-017-60 | Grease Fitting                          | 93  | W-13089           | Terminal Shield                |
| 41  | 52927-017-70 | Grease Fitting                          | 94  | W-13039           | Gasket                         |
| 42  | 22903-24200  | Set Screw                               | 95  | WB-2242           | Terminal Bushing               |
| 44  | W-13098      | Connecting Rod Pin                      | *   | 29005-66440       | Bearing                        |
| 44  | W-13031      | Connecting Rod Pin                      | *   | W-13266-A         | Coil Shunt                     |
| 45  |              | For improved construction use 45b & 45c | *   | W-13263-A         | Coil                           |
| 45a | W-13159      | Pin                                     | *   | Calibration Plate | 13" WB Calibration Plate       |
| 45b | W-13160      | Collar                                  | *   | W-13262-A         | Coil, T-1351                   |
| 46  | 23701-00320  | Pl. Lock Washer                         | *   | T-1303            | Class 5010 13" Type T WB Brake |
| 47  | 21401-32640  | H.I. Cap Screw                          | *   | W-13250-A         | Coil                           |
| 48  | W-13034      | Shoe Lever Pin (Armature End)           | *   | W-13268-A         | Shunt Coil                     |
| 49  | W-13002-A    | Assembled Armature, Complete            | *   | 51001-071-52      | Brake Block Kit                |
| 50  | W-13003-A    | Armature with Bearings                  |     |                   |                                |
| 51  | 29005-66446  | Bearing                                 |     |                   |                                |
| 52  | W-13047-A    | Assembled Grease Unit, Comp             |     |                   |                                |
| 53  | 52927-017-50 | Grease Fitting                          |     |                   |                                |
| 54  | W-13026      | Header Block                            |     |                   |                                |
| 55  | 52927-018-50 | Compression Fitting                     |     |                   |                                |
| 56  | W-13048      | Tube                                    |     |                   |                                |

\* Not Pictured

CLASS 5010 16" TYPE WB BRAKE, FOLIO 5



**RETURN TO  
TABLE OF CONTENTS**

**BRAKES**

- EC&M No. 5 TYPE WB BRAKE, FOLIO 2
- EC&M No. 10 TYPE WB BRAKE, FOLIO 2
- EC&M No. 20 TYPE WB BRAKE, FOLIO 2
- EC&M No. 22 TYPE WB BRAKE, FOLIO 1
- EC&M No. 30 TYPE WB BRAKE, FOLIO 2
- EC&M No. 30 TYPE WB BRAKE, FOLIO 3
- EC&M No. 40 TYPE WB BRAKE, FOLIO 2
- EC&M No. 40 TYPE WB BRAKE, FOLIO 3
- EC&M No. 50 TYPE WB BRAKE, FOLIO 2
- EC&M No. 50 TYPE WB BRAKE, FOLIO 3
- EC&M No. 60 TYPE WB BRAKE, FOLIO 1
- CLASS 5010 8" TYPE WB BRAKE, FOLIO 5
- CLASS 5010 10" TYPE WB BRAKE, FOLIO 5
- CLASS 5010 13" TYPE WB BRAKE, FOLIO 5
- CLASS 5010 16" TYPE WB BRAKE, FOLIO 5
- CLASS 5010 19" TYPE WB BRAKE, FOLIO 5
- CLASS 5010 23" TYPE WB BRAKE, FOLIO 5
- CLASS 5010 30" TYPE WB BRAKE, FOLIO 6
- CLASS 5010 8" TYPE F SERIES A
- CLASS 5010 10" TYPE F SERIES A
- CLASS 5010 13" TYPE F SERIES A
- CLASS 5010 16" TYPE F SERIES A
- CLASS 5010 19" TYPE F SERIES A
- CLASS 5010 23" TYPE F SERIES A
- CLASS 5010 30" TYPE F SERIES A
- CLASS 5010 10" TYPE F SERIES B
- CLASS 5010 13" TYPE F SERIES B
- CLASS 5010 16" TYPE F SERIES B
- CLASS 5010 23" TYPE F SERIES B
- CLASS 5060 10" TYPE AT ADJUSTABLE TORQUE BRAKE
- CLASS 5060 13" TYPE AT ADJUSTABLE TORQUE BRAKE
- CLASS 5060 16" TYPE AT ADJUSTABLE TORQUE BRAKE

**CONTACTORS**

**SAFETY LIMIT STOPS**

**MISCELLANEOUS**

**INDEX**



CLASS 5010 16" TYPE WB BRAKE, FOLIO 5

This document utilizes an interactive table of contents to help you jump from one section to another. Click the button to return to the table of contents.

**RETURN TO  
TABLE OF CONTENTS**

**BRAKES**

- EC&M No. 5 TYPE WB BRAKE, FOLIO 2
- EC&M No. 10 TYPE WB BRAKE, FOLIO 2
- EC&M No. 20 TYPE WB BRAKE, FOLIO 2
- EC&M No. 22 TYPE WB BRAKE, FOLIO 1
- EC&M No. 30 TYPE WB BRAKE, FOLIO 2
- EC&M No. 30 TYPE WB BRAKE, FOLIO 3
- EC&M No. 40 TYPE WB BRAKE, FOLIO 2
- EC&M No. 40 TYPE WB BRAKE, FOLIO 3
- EC&M No. 50 TYPE WB BRAKE, FOLIO 2
- EC&M No. 50 TYPE WB BRAKE, FOLIO 3
- EC&M No. 60 TYPE WB BRAKE, FOLIO 1
- CLASS 5010 8" TYPE WB BRAKE, FOLIO 5
- CLASS 5010 10" TYPE WB BRAKE, FOLIO 5
- CLASS 5010 13" TYPE WB BRAKE, FOLIO 5
- CLASS 5010 16" TYPE WB BRAKE, FOLIO 5
- CLASS 5010 19" TYPE WB BRAKE, FOLIO 5
- CLASS 5010 23" TYPE WB BRAKE, FOLIO 5
- CLASS 5010 30" TYPE WB BRAKE, FOLIO 6
- CLASS 5010 8" TYPE F SERIES A
- CLASS 5010 10" TYPE F SERIES A
- CLASS 5010 13" TYPE F SERIES A
- CLASS 5010 16" TYPE F SERIES A
- CLASS 5010 19" TYPE F SERIES A
- CLASS 5010 23" TYPE F SERIES A
- CLASS 5010 30" TYPE F SERIES A
- CLASS 5010 10" TYPE F SERIES B
- CLASS 5010 13" TYPE F SERIES B
- CLASS 5010 16" TYPE F SERIES B
- CLASS 5010 23" TYPE F SERIES B
- CLASS 5060 10" TYPE AT ADJUSTABLE TORQUE BRAKE
- CLASS 5060 13" TYPE AT ADJUSTABLE TORQUE BRAKE
- CLASS 5060 16" TYPE AT ADJUSTABLE TORQUE BRAKE

**CONTACTORS**

**SAFETY LIMIT STOPS**

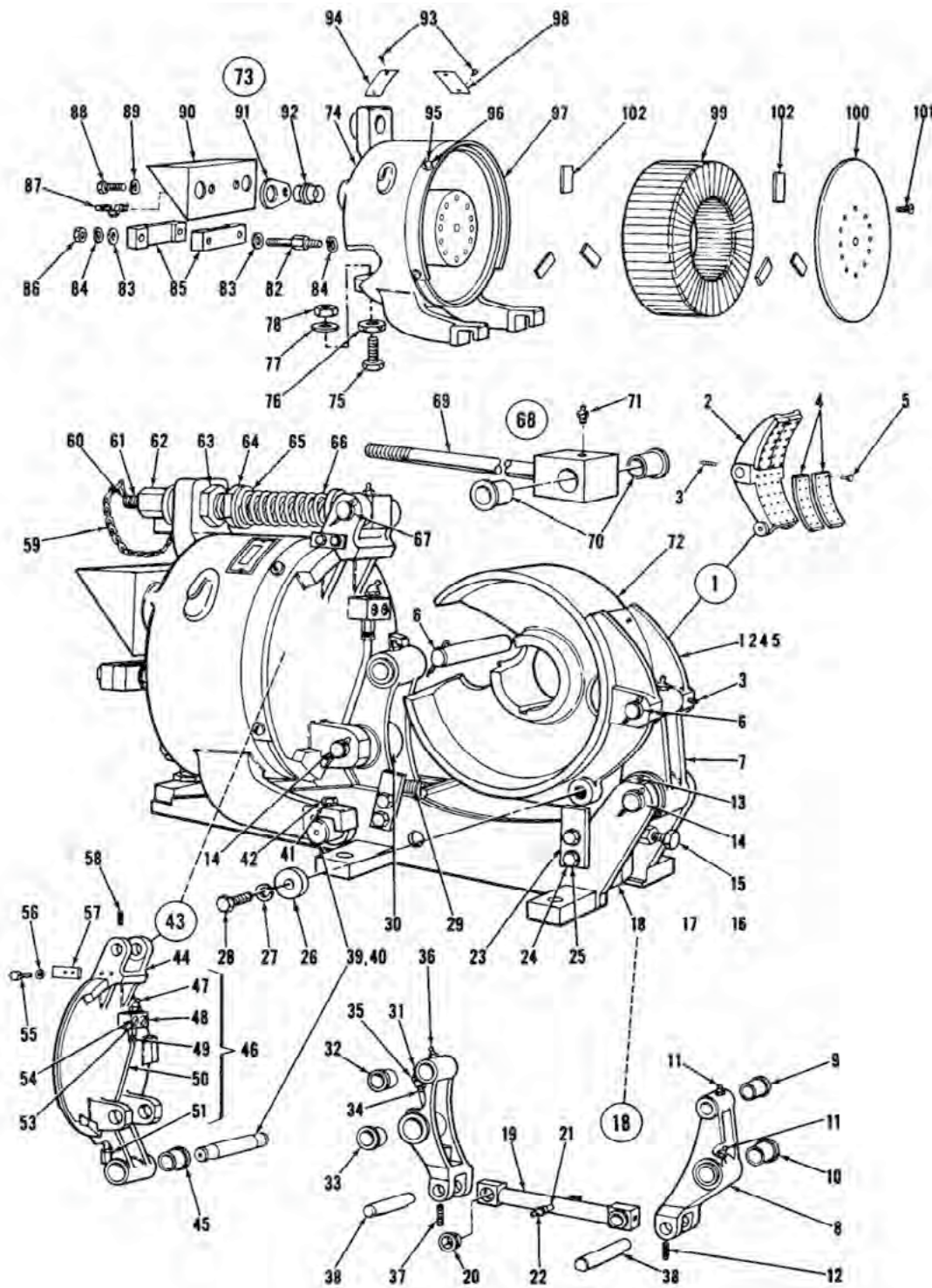
**MISCELLANEOUS**

**INDEX**

| Item | OEM Part  | Description                             | Item | OEM Part     | Description               |
|------|-----------|---|------|--------------|---------------------------|
| 01   | W-16004-A | Assembled Brake Shoe, Complete          | 80   | W-16087-A    | Magnet Case               |
| 02   | W-16005-A | Brake Shoe                              | 81   | W-16040      | Magnet Adjusting Screw    |
| 05   | W-16043   | Brake Block                             | 82   | W-16088      | Magnet Adjusting Nut      |
| 06   | W-16046   | Rivet                                   | 83   | W-16092      | Washer                    |
| 07   | W-16032   | Shoe Pin                                | 84   | W-16080      | Lock Nut                  |
| 08   | W-16006-A | Assembled Shoe Lever, Complete          | 85   | W-16090      | Lead Clamp Stud           |
| 09   | W-16008-A | Shoe Lever                              | 88   | W-16091      | Lead Clamp                |
| 10   | FP-24B43  | Bearing                                 | 93   | W-16089      | Terminal Shield           |
| 11   | FP-24B42  | Bearing                                 | 94   | W-16039      | Lead Gasket               |
| 12   | FP-25A12  | Grease Fitting                          | 95   | W-16029      | Lead Bushing              |
| 17   | W-16033   | Shoe Lever Pin (Frame End)              | 100  | W-16024      | Dust Shield               |
| 18   | W-16027   | Screw                                   | 101  |              | 16" WB Calibration Plate  |
| 19   | W-16042   | Lock Nut                                | *    | 29005-68655  | Bearing                   |
| 20   | W-16018-A | Assembled Frame, Complete               | *    | 51001-066-53 | Manual Release Nut        |
| 21   | W-16009-A | Assembled Connecting Rod Comp           | *    | W-16157      | Retaining Plate           |
| 22   | W-16095-A | Connecting Rod                          | *    | W-16028      | Bearing                   |
| 23   | FP-24B44  | Bearing                                 | *    | W-16151-A    | Rod                       |
| 25   | FP-25A15  | Grease Fitting                          | *    | W-16152-A    | Connecting Rod w/Bearings |
| 26   | W-16025   | Cam Rail                                | *    | W-16098      | Connecting Rod Pin        |
| 26a  | W-16162   | Rail                                    | *    | W-16262-A    | Coil                      |
| 29   | W-13015-A | Cam                                     | *    | W-16274-A    | Coil, 80-100 HP           |
| 29a  | W-16163   | Adjusting Ring                          | *    | W-16286-A    | Coil                      |
| 32   | W-16021   | Centering Spring                        | *    | W-16269-A    | Shunt Coil                |
| 33   | W-16007-A | Assembled Shoe Lever, Complete          | *    | W-16265-A    | Shunt Coil, 230 VDC       |
| 34   | W-16008-A | Shoe Lever                              | *    | W-16252-A    | Coil, 52-65 HP            |
| 35   | FP-24B43  | Bearing                                 |      |              |                           |
| 36   | FP-24B42  | Bearing                                 |      |              |                           |
| 38   | FP-25A12  | Grease Fitting                          |      |              |                           |
| 39   | FP-25A15  | Grease Fitting                          |      |              |                           |
| 42   | W-16031   | Connecting Rod Pin                      |      |              |                           |
| 43   |           | For improved construction use 43a & 43b |      |              |                           |
| 43a  | W-16160   | Pin                                     |      |              |                           |
| 43b  | W-16161   | Collar                                  |      |              |                           |
| 46   | W-16034   | Shoe Lever Pin (Armature End)           |      |              |                           |
| 47   | W-16002-A | Assembled Armature, Complete            |      |              |                           |
| 48   | W-16003-A | Armature                                |      |              |                           |
| 49   | FP-24B42  | Bearing                                 |      |              |                           |
| 50   | W-16047-A | Assembled Grease Unit, Comp             |      |              |                           |
| 51   | FP-25A16  | Grease Fitting                          |      |              |                           |
| 52   | W-13026   | Header Block                            |      |              |                           |
| 53   | FP-25A17  | Compression Fitting                     |      |              |                           |
| 54   | W-16048   | Tube                                    |      |              |                           |
| 55   | FP-25A18  | Compression Fitting                     |      |              |                           |
| 62   | W-13049   | Air Gap Indicator                       |      |              |                           |
| 67   | TW-76     | Washer                                  |      |              |                           |
| 68   | W-16022   | Manual Release Nut                      |      |              |                           |
| 69   | W-16041   | Lock Nut                                |      |              |                           |
| 70   | W-16023   | Spring Adjusting Nut                    |      |              |                           |
| 71   | W-16045   | Spring Collar                           |      |              |                           |
| 72   | W-16020   | Operating Spring                        |      |              |                           |
| 72a  | W-16123   | Spring, 50% Of Std. Torque              |      |              |                           |
| 73   | W-16035   | Spring Rod Pin                          |      |              |                           |
| 74   | W-16012-A | Spring Rod Complete                     |      |              |                           |
| 75   | W-16094-A | Spring Rod w/Bearings                   |      |              |                           |
| 76   | FP-24B40  | Bearing                                 |      |              |                           |
| 77   | FP-25A12  | Grease Fitting                          |      |              |                           |
| 79   | W-16001-A | Assembled Magnet Complete               |      |              |                           |

\* Not Pictured

## CLASS 5010 19" TYPE WB BRAKE, FOLIO 5



This document utilizes an interactive table of contents to help you jump from one section to another. Click the button to return to the table of contents.

## RETURN TO TABLE OF CONTENTS

### BRAKES

- EC&M No. 5 TYPE WB BRAKE, FOLIO 2
- EC&M No. 10 TYPE WB BRAKE, FOLIO 2
- EC&M No. 20 TYPE WB BRAKE, FOLIO 2
- EC&M No. 22 TYPE WB BRAKE, FOLIO 1
- EC&M No. 30 TYPE WB BRAKE, FOLIO 2
- EC&M No. 30 TYPE WB BRAKE, FOLIO 3
- EC&M No. 40 TYPE WB BRAKE, FOLIO 2
- EC&M No. 40 TYPE WB BRAKE, FOLIO 3
- EC&M No. 50 TYPE WB BRAKE, FOLIO 2
- EC&M No. 50 TYPE WB BRAKE, FOLIO 3
- EC&M No. 60 TYPE WB BRAKE, FOLIO 1
- CLASS 5010 8" TYPE WB BRAKE, FOLIO 5
- CLASS 5010 10" TYPE WB BRAKE, FOLIO 5
- CLASS 5010 13" TYPE WB BRAKE, FOLIO 5
- CLASS 5010 16" TYPE WB BRAKE, FOLIO 5
- CLASS 5010 19" TYPE WB BRAKE, FOLIO 5
- CLASS 5010 23" TYPE WB BRAKE, FOLIO 5
- CLASS 5010 30" TYPE WB BRAKE, FOLIO 6
- CLASS 5010 8" TYPE F SERIES A
- CLASS 5010 10" TYPE F SERIES A
- CLASS 5010 13" TYPE F SERIES A
- CLASS 5010 16" TYPE F SERIES A
- CLASS 5010 19" TYPE F SERIES A
- CLASS 5010 23" TYPE F SERIES A
- CLASS 5010 30" TYPE F SERIES A
- CLASS 5010 10" TYPE F SERIES B
- CLASS 5010 13" TYPE F SERIES B
- CLASS 5010 16" TYPE F SERIES B
- CLASS 5010 23" TYPE F SERIES B
- CLASS 5060 10" TYPE AT ADJUSTABLE TORQUE BRAKE
- CLASS 5060 13" TYPE AT ADJUSTABLE TORQUE BRAKE
- CLASS 5060 16" TYPE AT ADJUSTABLE TORQUE BRAKE

### CONTACTORS

### SAFETY LIMIT STOPS

### MISCELLANEOUS

### INDEX



CLASS 5010 19" TYPE WB BRAKE, FOLIO 5

This document utilizes an interactive table of contents to help you jump from one section to another. Click the button to return to the table of contents.

**RETURN TO  
TABLE OF CONTENTS**

**BRAKES**

- EC&M No. 5 TYPE WB BRAKE, FOLIO 2
- EC&M No. 10 TYPE WB BRAKE, FOLIO 2
- EC&M No. 20 TYPE WB BRAKE, FOLIO 2
- EC&M No. 22 TYPE WB BRAKE, FOLIO 1
- EC&M No. 30 TYPE WB BRAKE, FOLIO 2
- EC&M No. 30 TYPE WB BRAKE, FOLIO 3
- EC&M No. 40 TYPE WB BRAKE, FOLIO 2
- EC&M No. 40 TYPE WB BRAKE, FOLIO 3
- EC&M No. 50 TYPE WB BRAKE, FOLIO 2
- EC&M No. 50 TYPE WB BRAKE, FOLIO 3
- EC&M No. 60 TYPE WB BRAKE, FOLIO 1
- CLASS 5010 8" TYPE WB BRAKE, FOLIO 5
- CLASS 5010 10" TYPE WB BRAKE, FOLIO 5
- CLASS 5010 13" TYPE WB BRAKE, FOLIO 5
- CLASS 5010 16" TYPE WB BRAKE, FOLIO 5
- CLASS 5010 19" TYPE WB BRAKE, FOLIO 5
- CLASS 5010 23" TYPE WB BRAKE, FOLIO 5
- CLASS 5010 30" TYPE WB BRAKE, FOLIO 6
- CLASS 5010 8" TYPE F SERIES A
- CLASS 5010 10" TYPE F SERIES A
- CLASS 5010 13" TYPE F SERIES A
- CLASS 5010 16" TYPE F SERIES A
- CLASS 5010 19" TYPE F SERIES A
- CLASS 5010 23" TYPE F SERIES A
- CLASS 5010 30" TYPE F SERIES A
- CLASS 5010 10" TYPE F SERIES B
- CLASS 5010 13" TYPE F SERIES B
- CLASS 5010 16" TYPE F SERIES B
- CLASS 5010 23" TYPE F SERIES B
- CLASS 5060 10" TYPE AT ADJUSTABLE TORQUE BRAKE
- CLASS 5060 13" TYPE AT ADJUSTABLE TORQUE BRAKE
- CLASS 5060 16" TYPE AT ADJUSTABLE TORQUE BRAKE

**CONTACTORS**

**SAFETY LIMIT STOPS**

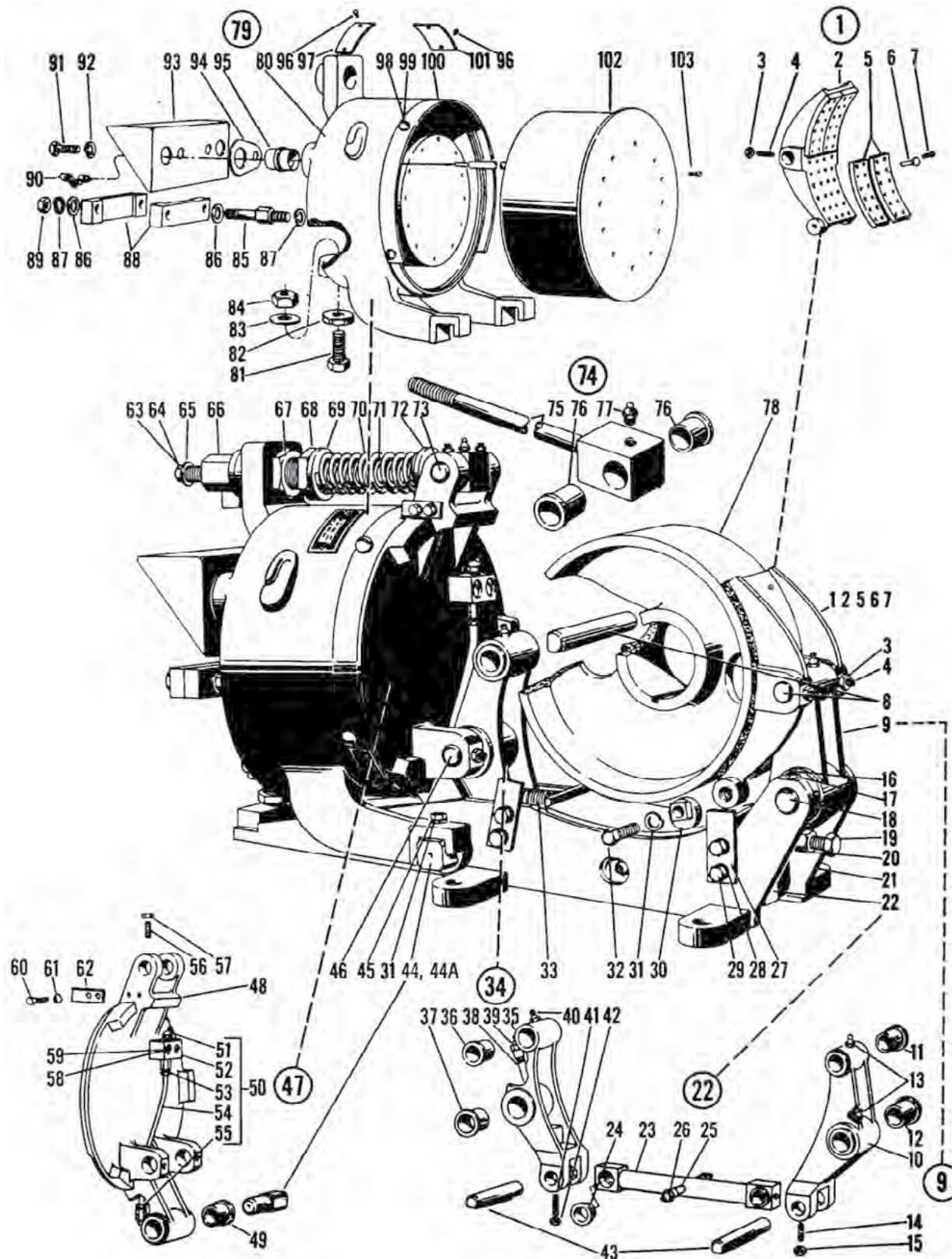
**MISCELLANEOUS**

**INDEX**

| Itm | OEM Part    | Description                    | Itm | OEM Part     | Description                   |
|-----|-------------|--------------------------------|-----|--------------|-------------------------------|
| 01  | W-19004-A   | Assembled Brake Shoe Complete  | 56  | 23701-00200  | Pl. Lock Washer               |
| 02  | W-19005     | Brake Shoe                     | 57  | W-19049      | Air Gap Indicator             |
| 03  | 22903-24200 | Set Screw                      | 58  | 22903-24200  | Set Screw                     |
| 04  | W-19043     | Brake Block                    | 60  | 21008-07160  | Lg. Type "U" Drive Screw      |
| 05  | W-19327     | Rivet                          | 61  | 24201-12680  | Cotter Pin                    |
| 06  | W-19032     | Shoe Pin                       | 62  | W-19022      | Manual Release Nut            |
| 07  | W-19006-A   | Assembled Shoe Lever Complete  | 63  | W-19041      | Lock Nut                      |
| 08  | W-19008-A   | Assembled Shoe Lever           | 64  | W-19023      | Spring Adjusting Nut          |
| 09  | 29005-66446 | Bearing                        | 65  | W-19045      | Spring Collar                 |
| 10  | 29005-72600 | Bearing                        | 66  | W-19020      | Operating Spring              |
| 11  | 25209-20400 | Grease Fitting                 | 66a | W-19154      | Spring, 50% Of Std. Torque    |
| 12  | 22903-24200 | Set Screw                      | 67  | W-19035      | Spring Rod Pin                |
| 13  | 22903-28240 | Set Screw                      | 68  | W-19012-A    | Assembled Spring Rod Complete |
| 14  | W-19033     | Shoe Lever Pin                 | 69  | W-19094-A    | Spring Rod                    |
| 15  | W-16027     | Screw                          | 70  | 29005-64405  | Bearing                       |
| 16  | W-16042     | Lock Nut                       | 71  | 25209-20400  | Grease Fitting                |
| 17  | W-19018-A   | Assembled Frame, Complete      | 73  | W-19201-A    | Assembled Magnet, Complete    |
| 18  | W-19167-A   | Assembled Connecting Rod Comp. | 74  | W-19287-A    | Magnet Case                   |
| 19  | W-19166-A   | Connecting Rod                 | 75  | W-19040      | Magnet Adjusting Screw        |
| 20  | 29005-66447 | Bearing                        | 76  | W-19088      | Magnet Adjusting Nut          |
| 21  | 25223-46480 | Pipe Nipple                    | 77  | W-19092      | Washer                        |
| 21  | 25223-46640 | Pipe Nipple                    | 78  | W-19080      | Lock Nut                      |
| 22  | 25209-30400 | Grease Fitting                 | 79  | W-23123      | Stop Bracket                  |
| 22  | 25209-20400 | Grease Fitting                 | 80  | 21401-22160  | H. Stl. Cap Screw             |
| 23  | W-19161     | Cam Rail                       | 81  | 23703-00220  | Shakeproof Lk. Washer         |
| 24  | 27303-00220 | Shakeproof Lock Washer         | 82  | W-19090      | Lead Clamp Stud               |
| 25  | 21401-22320 | Hex Steel Cap Screw            | 83  | 23601-00240  | Washer                        |
| 26  | W-23125     | Adjusting Ring                 | 84  | 23701-00240  | Pl. Lock Washer               |
| 27  | 23701-00280 | Lock Washer                    | 85  | W-19091      | Lead Clamp                    |
| 28  | 21401-28320 | Hex. Stl. Cap Screw            | 86  | 23001-00240  | H.I. Nut                      |
| 29  | W-19021     | Centering Spring               | 88  | 21401-24240  | H.I. Cap Screw                |
| 30  | W-19007-A   | Assembled Shoe Lever Complete  | 89  | 23701-00240  | Pl. Lock Washer               |
| 32  | 29005-66446 | Bearing                        | 90  | W-19089      | Terminal Shield               |
| 33  | 29005-72600 | Bearing                        | 91  | W-19039      | Gasket                        |
| 34  | W-19008-A   | Assembled Shoe Lever           | 93  | 21008-06080  | Drive Screw                   |
| 34  | 25223-46680 | Pipe Nipple                    | 95  | 21410-20160  | Hex Type E Screw              |
| 35  | 25209-20400 | Grease Fitting                 | 96  | 23701-00200  | Pl. Lock Washer               |
| 36  | 25209-30400 | Grease Fitting                 | 97  | W-19024      | Dust Shield                   |
| 37  | 22903-24200 | Set Screw                      | 98  | 19" WB       | Calibration Plate             |
| 38  | W-19098     | Connecting Rod Pin             | 99  | W-19055      | Coil                          |
| 39  | W-19159     | Magnet Hinge Pin               | 99  | W-19286      | Coil                          |
| 40  | W-19160     | Pin Collar                     | 100 | W-19157      | Retaining Plate               |
| 41  | 23701-00360 | Pl. Lock Washer                | 101 | 21721-22200  | Hex Socket Flat Hd. Cap Screw |
| 42  | 21401-36680 | H.I. Cap Screw                 | *   | W-19009-A    | Assembled Connecting Rod      |
| 43  | W-19002-A   | Assembled Armature             | *   | 50502-526-09 | Equalizing Screw              |
| 44  | W-19003-A   | Armature                       | *   | W-19149      | Cam Rail                      |
| 45  | 29005-72600 | Bearing                        | *   | W-19028      | Steel Base Bushing            |
| 46  | W-19047-A   | Assembled Grease Unit, Comp    | *   | W-19029      | Lead Bushing (strap wound)    |
| 47  | 25209-10400 | Grease Fitting                 | *   | W-19095-A    | Connecting Rod                |
| 48  | W-13026     | Header Block                   | *   | W-19030      | Magnet Hinge Pin              |
| 49  | 25208-90160 | Compression Fitting            | *   | W-19087-A    | Magnet Case                   |
| 50  | W-19048     | Tube                           | *   | W-19001-A    | Assembled Magnet, Complete    |
| 51  | 25208-90161 | Compression Fitting            | *   | W-19039      | Lead Gasket                   |
| 52  | 22903-28240 | Set Screw                      | *   | W-19025      | Cam Rail                      |
| 53  | 21507-20400 | P.H.S. Screw                   | *   | W-19031      | Connecting Rod Pin            |
| 54  | 23701-00200 | Pl. Lock Washer                | *   | W-19079      | Lead Bushing (wire wound)     |
| 55  | 21401-20200 | H.I. Cap Screw                 |     |              |                               |

\* Not Pictured

CLASS 5010 23" TYPE WB BRAKE, FOLIO 5



This document utilizes an interactive table of contents to help you jump from one section to another. Click the button to return to the table of contents.

**RETURN TO TABLE OF CONTENTS**

**BRAKES**

- EC&M No. 5 TYPE WB BRAKE, FOLIO 2
- EC&M No. 10 TYPE WB BRAKE, FOLIO 2
- EC&M No. 20 TYPE WB BRAKE, FOLIO 2
- EC&M No. 22 TYPE WB BRAKE, FOLIO 1
- EC&M No. 30 TYPE WB BRAKE, FOLIO 2
- EC&M No. 30 TYPE WB BRAKE, FOLIO 3
- EC&M No. 40 TYPE WB BRAKE, FOLIO 2
- EC&M No. 40 TYPE WB BRAKE, FOLIO 3
- EC&M No. 50 TYPE WB BRAKE, FOLIO 2
- EC&M No. 50 TYPE WB BRAKE, FOLIO 3
- EC&M No. 60 TYPE WB BRAKE, FOLIO 1
- CLASS 5010 8" TYPE WB BRAKE, FOLIO 5
- CLASS 5010 10" TYPE WB BRAKE, FOLIO 5
- CLASS 5010 13" TYPE WB BRAKE, FOLIO 5
- CLASS 5010 16" TYPE WB BRAKE, FOLIO 5
- CLASS 5010 19" TYPE WB BRAKE, FOLIO 5
- CLASS 5010 23" TYPE WB BRAKE, FOLIO 5
- CLASS 5010 30" TYPE WB BRAKE, FOLIO 6
- CLASS 5010 8" TYPE F SERIES A
- CLASS 5010 10" TYPE F SERIES A
- CLASS 5010 13" TYPE F SERIES A
- CLASS 5010 16" TYPE F SERIES A
- CLASS 5010 19" TYPE F SERIES A
- CLASS 5010 23" TYPE F SERIES A
- CLASS 5010 30" TYPE F SERIES A
- CLASS 5010 10" TYPE F SERIES B
- CLASS 5010 13" TYPE F SERIES B
- CLASS 5010 16" TYPE F SERIES B
- CLASS 5010 23" TYPE F SERIES B
- CLASS 5060 10" TYPE AT ADJUSTABLE TORQUE BRAKE
- CLASS 5060 13" TYPE AT ADJUSTABLE TORQUE BRAKE
- CLASS 5060 16" TYPE AT ADJUSTABLE TORQUE BRAKE

**CONTACTORS**

**SAFETY LIMIT STOPS**

**MISCELLANEOUS**

**INDEX**



CLASS 5010 23" TYPE WB BRAKE, FOLIO 5

This document utilizes an interactive table of contents to help you jump from one section to another. Click the button to return to the table of contents.

**RETURN TO  
TABLE OF CONTENTS**

**BRAKES**

- EC&M No. 5 TYPE WB BRAKE, FOLIO 2
- EC&M No. 10 TYPE WB BRAKE, FOLIO 2
- EC&M No. 20 TYPE WB BRAKE, FOLIO 2
- EC&M No. 22 TYPE WB BRAKE, FOLIO 1
- EC&M No. 30 TYPE WB BRAKE, FOLIO 2
- EC&M No. 30 TYPE WB BRAKE, FOLIO 3
- EC&M No. 40 TYPE WB BRAKE, FOLIO 2
- EC&M No. 40 TYPE WB BRAKE, FOLIO 3
- EC&M No. 50 TYPE WB BRAKE, FOLIO 2
- EC&M No. 50 TYPE WB BRAKE, FOLIO 3
- EC&M No. 60 TYPE WB BRAKE, FOLIO 1
- CLASS 5010 8" TYPE WB BRAKE, FOLIO 5
- CLASS 5010 10" TYPE WB BRAKE, FOLIO 5
- CLASS 5010 13" TYPE WB BRAKE, FOLIO 5
- CLASS 5010 16" TYPE WB BRAKE, FOLIO 5
- CLASS 5010 19" TYPE WB BRAKE, FOLIO 5
- CLASS 5010 23" TYPE WB BRAKE, FOLIO 5
- CLASS 5010 30" TYPE WB BRAKE, FOLIO 6
- CLASS 5010 8" TYPE F SERIES A
- CLASS 5010 10" TYPE F SERIES A
- CLASS 5010 13" TYPE F SERIES A
- CLASS 5010 16" TYPE F SERIES A
- CLASS 5010 19" TYPE F SERIES A
- CLASS 5010 23" TYPE F SERIES A
- CLASS 5010 30" TYPE F SERIES A
- CLASS 5010 10" TYPE F SERIES B
- CLASS 5010 13" TYPE F SERIES B
- CLASS 5010 16" TYPE F SERIES B
- CLASS 5010 23" TYPE F SERIES B
- CLASS 5060 10" TYPE AT ADJUSTABLE TORQUE BRAKE
- CLASS 5060 13" TYPE AT ADJUSTABLE TORQUE BRAKE
- CLASS 5060 16" TYPE AT ADJUSTABLE TORQUE BRAKE

**CONTACTORS**

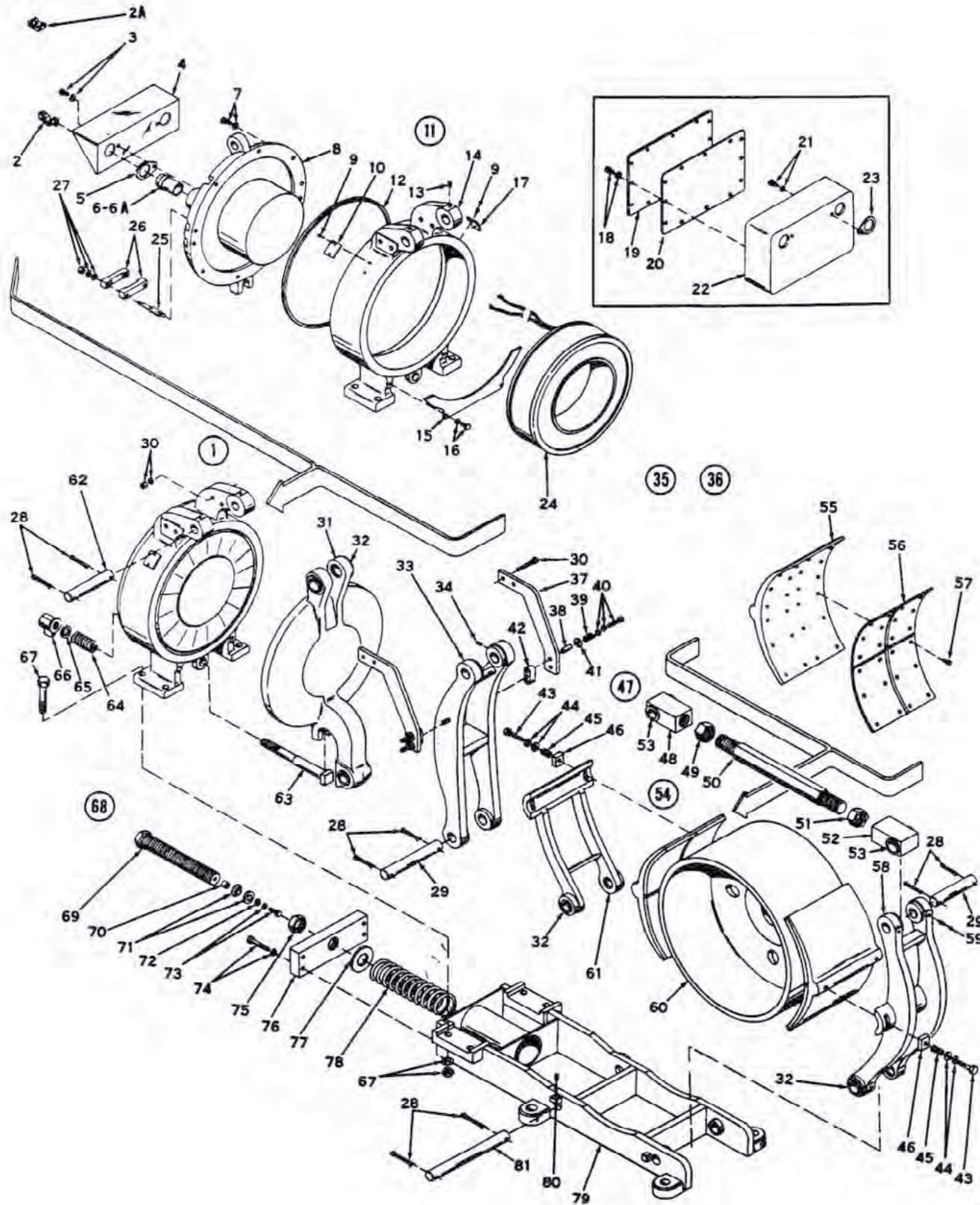
**SAFETY LIMIT STOPS**

**MISCELLANEOUS**

**INDEX**

| Item | OEM Part    | Description                                 | Item | OEM Part     | Description                         |
|------|-------------|---|------|--------------|-------------------------------------|
| 01   | W-23004-A   | Assembled Brake Shoe, Complete              | 75   | W-23094-A    | Spring Rod                          |
| 02   | W-23005     | Brake Shoe, Only                            | 76   | FP-24J10     | Bearing                             |
| 05   | W-23043     | Lining                                      | 77   | FP-25A12     | Grease Fitting                      |
| 06   | WB-659      | Rivet                                       | 79   | W-23001-A    | Assembled Magnet, Complete          |
| 08   | W-23032     | Shoe Pin                                    | 79   | W-23201-A    | Magnet Assembly                     |
| 09   | W-23006-A   | Assembled Shoe Lever, Complete              | 80   | W-23087-A    | Magnet Case                         |
| 10   | W-23008-A   | Shoe Lever                                  | 81   | W-23040      | Magnet Adjusting Screw              |
| 11   | FP-24J11    | Bearing                                     | 82   | W-23088      | Magnet Adjusting Nut                |
| 12   | FP-24J12    | Bearing                                     | 83   | W-23092      | Washer                              |
| 13   | FP-25A12    | Grease Fitting                              | 84   | W-23080      | Lock Nut                            |
| 18   | W-23033     | Shoe Lever Pin (Frame End)                  | 85   | W-19090      | Lead Clamp Stud                     |
| 19   | W-23027     | Equalizing Screw                            | 88   | W-19091      | Lead Clamp                          |
| 20   | W-23042     | Lock Nut                                    | 93   | W-23089      | Terminal Shield                     |
| 21   | W-23018-A   | Assembled Frame                             | 94   | W-23039      | Lead Gasket                         |
| 22   | W-23009-A   | Assembled Connecting Rod Comp.              | 95   | W-23029      | Lead Bushing                        |
| 23   | W-23095-A   | Connecting Rod                              | 95   | W-23079      | Lead Bushing                        |
| 24   | FP-24J11    | Bearing                                     | 100  | W-23024      | Dust Shield                         |
| 26   | FP-25A15    | Grease Fitting                              | 102  | W-23127      | Retaining Plate 7 holes (Stainless) |
| 27   | W-23025     | Cam Rail                                    | 102  | W-23126      | Retaining Plate Cover               |
| 30   | W-19015-A   | Cam   | 102  | W-23127      | Retaining Plate, 19 holes, Folio 5A |
| 31   | 23701-00380 | Pl. Lock Washer                             | 102  | W-23127      | Retaining Plate, 12 holes, Folio 5  |
| 32   | 21401-28560 | Cap Screw                                   | *    | 23004-00400  | H. Nut                              |
| 33   | W-23021     | Centering Spring                            | *    | 29005-80715  | Frame Bushing                       |
| 34   | W-23007-A   | Assembled Shoe Lever, Complete              | *    | W-23028      | Frame Bushing                       |
| 35   | W-23008-A   | Shoe Lever                                  | *    | 50502-526-13 | Screw                               |
| 36   | FP-24J11    | Bearing                                     | *    | 50502-526-10 | Equalizing Screw                    |
| 39   | FP-25A12    | Grease Fitting                              | *    | 21714-22280  | Nylock Brass Screw                  |
| 40   | FP-25A15    | Grease Fitting                              | *    | W-23124      | Cam Rail                            |
| 42   | W-19049     | Air Gap Indicator                           | *    | 23223-46800  | Pipe Nipple                         |
| 43   | W-23031     | Connecting Rod Pin                          | *    | W-23258-A    | Coil                                |
| 44   |             | For improved construction use 44(a) & 44(b) | *    | W-23052-A    | Coil                                |
| 44a  | W-23232     | Magnet Hinge Pin                            | *    | W-23061-A    | Coil                                |
| 44b  | S-23233     | Pin Collar                                  | *    | W-23261-A    | Coil                                |
| 46   | W-23034     | Shoe Lever Pin (Armature End)               | *    | W-23058-A    | Coil                                |
| 47   | W-23002-A   | Assembled Armature, Complete                | *    | W-23254-A    | Coil 110-140 HP                     |
| 48   | W-23003-A   | Armature                                    | *    | W-23252-A    | Brake Coil, 160-205 hp              |
| 49   | FP-24J12    | Bearing                                     | *    | W-23253-A    | Coil, 140-180 HP                    |
| 50   | W-23047-A   | Assembled Grease Unit, Comp                 |      |              |                                     |
| 51   | W-13026     | Header Block                                |      |              |                                     |
| 52   | FP-25A16    | Grease Fitting                              |      |              |                                     |
| 53   | FP-25A17    | Compression Fitting                         |      |              |                                     |
| 54   | W-23048     | Tube  |      |              |                                     |
| 55   | FP-25A18    | Compression Fitting                         |      |              |                                     |
| 63   | 21401-22240 | H.I. Cap Screw                              |      |              |                                     |
| 64   | 23701-00220 | Lock Washer                                 |      |              |                                     |
| 65   | SS-292      | Washer                                      |      |              |                                     |
| 66   | W-19022     | Manual Release Nut                          |      |              |                                     |
| 67   | W-19041     | Lock Nut                                    |      |              |                                     |
| 68   | W-23023     | Spring Adjusting Nut                        |      |              |                                     |
| 69   | W-23045     | Spring Collar                               |      |              |                                     |
| 70   | W-23020     | Operating Spring, Large                     |      |              |                                     |
| 70a  | W-23159     | Spring, 50% Of Std. Torque                  |      |              |                                     |
| 71   | W-23082     | Operating Spring, Small                     |      |              |                                     |
| 72   | W-23078     | Spring Collar                               |      |              |                                     |
| 73   | W-13033     | Shoe Lever Pin (Frame End)                  |      |              |                                     |
| 73   | W-23035     | Pin   |      |              |                                     |
| 74   | W-23012-A   | Assembled Spring Rod, Complete              |      |              |                                     |

\* Not Pictured



This document utilizes an interactive table of contents to help you jump from one section to another. Click the button to return to the table of contents.

**RETURN TO  
TABLE OF CONTENTS**

**BRAKES**

- EC&M No. 5 TYPE WB BRAKE, FOLIO 2
- EC&M No. 10 TYPE WB BRAKE, FOLIO 2
- EC&M No. 20 TYPE WB BRAKE, FOLIO 2
- EC&M No. 22 TYPE WB BRAKE, FOLIO 1
- EC&M No. 30 TYPE WB BRAKE, FOLIO 2
- EC&M No. 30 TYPE WB BRAKE, FOLIO 3
- EC&M No. 40 TYPE WB BRAKE, FOLIO 2
- EC&M No. 40 TYPE WB BRAKE, FOLIO 3
- EC&M No. 50 TYPE WB BRAKE, FOLIO 2
- EC&M No. 50 TYPE WB BRAKE, FOLIO 3
- EC&M No. 60 TYPE WB BRAKE, FOLIO 1
- CLASS 5010 8" TYPE WB BRAKE, FOLIO 5
- CLASS 5010 10" TYPE WB BRAKE, FOLIO 5
- CLASS 5010 13" TYPE WB BRAKE, FOLIO 5
- CLASS 5010 16" TYPE WB BRAKE, FOLIO 5
- CLASS 5010 19" TYPE WB BRAKE, FOLIO 5
- CLASS 5010 23" TYPE WB BRAKE, FOLIO 5
- CLASS 5010 30" TYPE WB BRAKE, FOLIO 6
- CLASS 5010 8" TYPE F SERIES A
- CLASS 5010 10" TYPE F SERIES A
- CLASS 5010 13" TYPE F SERIES A
- CLASS 5010 16" TYPE F SERIES A
- CLASS 5010 19" TYPE F SERIES A
- CLASS 5010 23" TYPE F SERIES A
- CLASS 5010 30" TYPE F SERIES A
- CLASS 5010 10" TYPE F SERIES B
- CLASS 5010 13" TYPE F SERIES B
- CLASS 5010 16" TYPE F SERIES B
- CLASS 5010 23" TYPE F SERIES B
- CLASS 5060 10" TYPE AT ADJUSTABLE TORQUE BRAKE
- CLASS 5060 13" TYPE AT ADJUSTABLE TORQUE BRAKE
- CLASS 5060 16" TYPE AT ADJUSTABLE TORQUE BRAKE

**CONTACTORS**

**SAFETY LIMIT STOPS**

**MISCELLANEOUS**

**INDEX**



CLASS 5010 30" TYPE WB BRAKE, FOLIO 6

| Item | OEM Part     | Description                 | Item | OEM Part     | Description                   |
|------|--------------|-----------------------------|------|--------------|-------------------------------|
| 01   | 51007-010-50 | Magnet Assembly             | 62   | 51007-039-03 | Armature Pin                  |
| 02   | FP-28C11     | Coil Terminal Lug           | 63   | 51007-021-01 | Manual Release Screw          |
| 02a  | 52908-003-02 | Coil Terminal Lug           | 64   | 50502-601-12 | Spring                        |
| 04   | 51007-031-01 | Terminal Shield             | 65   | 50502-003-32 | Washer                        |
| 05   | 51007-029-04 | Lead Bushing Clamp          | 66   | 51007-021-02 | Manual Release Nut            |
| 06   | 51007-029-01 | Lead Bushing                | 68   | 51007-027-51 | Torque Screw Assembly         |
| 06a  | 51007-029-02 | Lead Bushing                | 69   | 51007-027-02 | Torque Screw                  |
| 08   | 51007-020-01 | Magnet Faceplate            | 70   | 50502-051-28 | Spacer                        |
| 10   | 51139-040-04 | Calibration Plate           | 71   | SP-875       | Thrust Washer                 |
| 11   | 51007-019-50 | Magnet Case Assembly        | 72   | 50502-003-30 | Washer                        |
| 12   | 51007-019-02 | Gasket                      | 75   | 50502-551-03 | Locknut                       |
| 13   | 22903-28402  | Set Screw                   | 76   | 51007-027-01 | Torque Screw Plate            |
| 14   | 51007-019-01 | Magnet Case                 | 77   | 50502-003-31 | Spring Thrust Plate           |
| 15   | 51007-035-01 | Non-Magnetic Spacer         | 78   | 51007-040-01 | Operating Spring              |
| 15   | 51139-035-01 | Nameplate                   | 79   | 51007-012-50 | Frame Assembly                |
| 17   | 51139-035-01 | Nameplate                   | 80   | 22903-28402  | Set Screw                     |
| 19   | 51007-029-05 | Junction Box Cover          | 81   | 51007-039-02 | Outer Lever/Support Lever Pin |
| 20   | 51007-029-06 | Cover Gasket                | *    | 51017-029-01 | Block                         |
| 22   | 51007-032-01 | Junction Box                | *    | 50903-808-57 | Brake Block                   |
| 23   | 51007-029-03 | Lead Gasket                 |      |              |                               |
| 24   | 50909-016-56 | Coil                        |      |              |                               |
| 24   | 51007-038-50 | Coil, 440-580 HP            |      |              |                               |
| 24   | 51007-038-54 | Coil, 230-305 HP            |      |              |                               |
| 24   | 51007-038-53 | Coil, 290-385 HP            |      |              |                               |
| 24   | 51007-037-52 | Shunt Coil                  |      |              |                               |
| 24   | 51007-038-55 | Coil, 175-235 HP            |      |              |                               |
| 24   | 50909-016-58 | Brake Coil, 30" Series      |      |              |                               |
| 24   | 51007-038-52 | Coil, 315-410 HP            |      |              |                               |
| 25   | W-19090      | Lead Clamp Stud             |      |              |                               |
| 26   | W-19091      | Lead Clamp                  |      |              |                               |
| 29   | 51007-039-01 | Pin                         |      |              |                               |
| 31   | 51007-018-50 | Armature Assembly           |      |              |                               |
| 32   | 51007-023-01 | Bearing                     |      |              |                               |
| 33   | 51007-016-50 | Shoe Lever Assembly         |      |              |                               |
| 34   | 22903-28402  | Set Screw                   |      |              |                               |
| 35   | 51007-030-51 | Virtual Center Assembly, LH |      |              |                               |
| 36   | 51007-030-50 | Virtual Center Assembly, RH |      |              |                               |
| 37   | 51007-043-01 | Bracket                     |      |              |                               |
| 38   | 50502-052-16 | Spacer                      |      |              |                               |
| 39   | 50502-601-13 | Spring                      |      |              |                               |
| 42   | 51007-042-03 | Bearing, (Type T 30")       |      |              |                               |
| 43   | 50502-526-17 | Special Cap Screw           |      |              |                               |
| 45   | 50502-601-38 | Shoe Clamp Spring           |      |              |                               |
| 46   | 51007-028-01 | Shoe Clamp                  |      |              |                               |
| 47   | 51007-017-50 | Connecting Rod Assembly     |      |              |                               |
| 48   | 51007-017-01 | Connecting Rod Link, RH     |      |              |                               |
| 49   | W-23080      | Lock Nut                    |      |              |                               |
| 50   | 51007-017-03 | Connecting Rod              |      |              |                               |
| 51   | 50502-551-01 | Jam Nut, LH                 |      |              |                               |
| 52   | 51007-017-02 | Connecting Rod Link, LH     |      |              |                               |
| 53   | 51007-023-01 | Bearing                     |      |              |                               |
| 54   | 51007-013-50 | Brake Shoe Assembly         |      |              |                               |
| 55   | 51007-022-01 | Brake Shoe                  |      |              |                               |
| 56   | 51007-026-01 | Brake Block                 |      |              |                               |
| 58   | 51007-014-50 | Shoe Lever Assembly         |      |              |                               |
| 59   | 22903-28402  | Set Screw                   |      |              |                               |
| 60   | 51007-047-02 | Brake Wheel                 |      |              |                               |
| 61   | 51007-015-50 | Shoe Support Lever Assembly |      |              |                               |

This document utilizes an interactive table of contents to help you jump from one section to another. Click the button to return to the table of contents.

**RETURN TO  
TABLE OF CONTENTS**

**BRAKES**

- EC&M No. 5 TYPE WB BRAKE, FOLIO 2
- EC&M No. 10 TYPE WB BRAKE, FOLIO 2
- EC&M No. 20 TYPE WB BRAKE, FOLIO 2
- EC&M No. 22 TYPE WB BRAKE, FOLIO 1
- EC&M No. 30 TYPE WB BRAKE, FOLIO 2
- EC&M No. 30 TYPE WB BRAKE, FOLIO 3
- EC&M No. 40 TYPE WB BRAKE, FOLIO 2
- EC&M No. 40 TYPE WB BRAKE, FOLIO 3
- EC&M No. 50 TYPE WB BRAKE, FOLIO 2
- EC&M No. 50 TYPE WB BRAKE, FOLIO 3
- EC&M No. 60 TYPE WB BRAKE, FOLIO 1
- CLASS 5010 8" TYPE WB BRAKE, FOLIO 5
- CLASS 5010 10" TYPE WB BRAKE, FOLIO 5
- CLASS 5010 13" TYPE WB BRAKE, FOLIO 5
- CLASS 5010 16" TYPE WB BRAKE, FOLIO 5
- CLASS 5010 19" TYPE WB BRAKE, FOLIO 5
- CLASS 5010 23" TYPE WB BRAKE, FOLIO 5
- CLASS 5010 30" TYPE WB BRAKE, FOLIO 6
- CLASS 5010 8" TYPE F SERIES A
- CLASS 5010 10" TYPE F SERIES A
- CLASS 5010 13" TYPE F SERIES A
- CLASS 5010 16" TYPE F SERIES A
- CLASS 5010 19" TYPE F SERIES A
- CLASS 5010 23" TYPE F SERIES A
- CLASS 5010 30" TYPE F SERIES A
- CLASS 5010 10" TYPE F SERIES B
- CLASS 5010 13" TYPE F SERIES B
- CLASS 5010 16" TYPE F SERIES B
- CLASS 5010 23" TYPE F SERIES B
- CLASS 5060 10" TYPE AT ADJUSTABLE TORQUE BRAKE
- CLASS 5060 13" TYPE AT ADJUSTABLE TORQUE BRAKE
- CLASS 5060 16" TYPE AT ADJUSTABLE TORQUE BRAKE

**CONTACTORS**

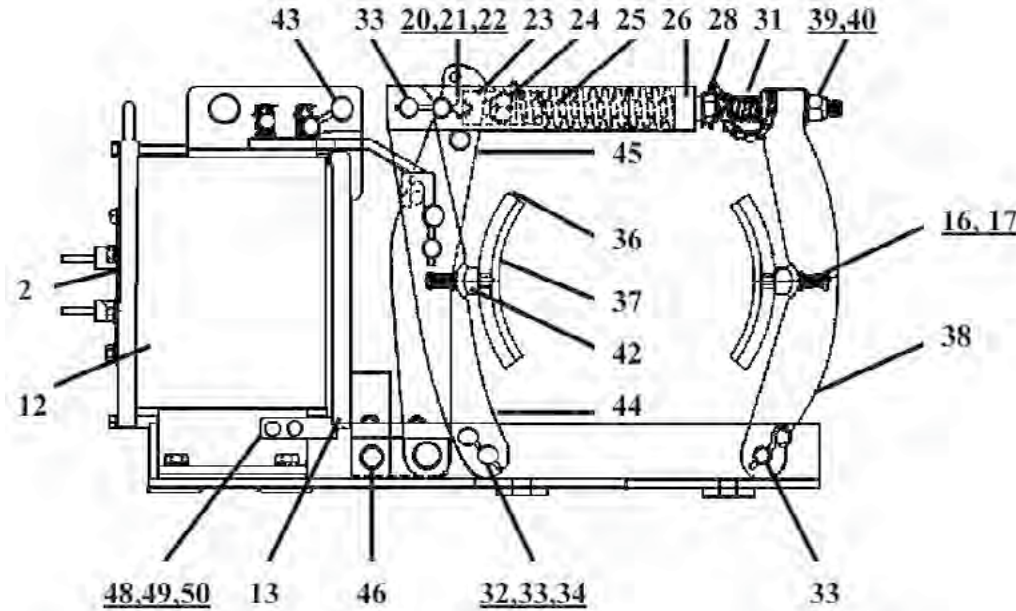
**SAFETY LIMIT STOPS**

**MISCELLANEOUS**

**INDEX**

This document utilizes an interactive table of contents to help you jump from one section to another. Click the button to return to the table of contents.

**RETURN TO  
TABLE OF CONTENTS**



**CLASS 5010 08" TYPE F SERIES A**

**BRAKES**

- EC&M No. 5 TYPE WB BRAKE, FOLIO 2
- EC&M No. 10 TYPE WB BRAKE, FOLIO 2
- EC&M No. 20 TYPE WB BRAKE, FOLIO 2
- EC&M No. 22 TYPE WB BRAKE, FOLIO 1
- EC&M No. 30 TYPE WB BRAKE, FOLIO 2
- EC&M No. 30 TYPE WB BRAKE, FOLIO 3
- EC&M No. 40 TYPE WB BRAKE, FOLIO 2
- EC&M No. 40 TYPE WB BRAKE, FOLIO 3
- EC&M No. 50 TYPE WB BRAKE, FOLIO 2
- EC&M No. 50 TYPE WB BRAKE, FOLIO 3
- EC&M No. 60 TYPE WB BRAKE, FOLIO 1
- CLASS 5010 8" TYPE WB BRAKE, FOLIO 5
- CLASS 5010 10" TYPE WB BRAKE, FOLIO 5
- CLASS 5010 13" TYPE WB BRAKE, FOLIO 5
- CLASS 5010 16" TYPE WB BRAKE, FOLIO 5
- CLASS 5010 19" TYPE WB BRAKE, FOLIO 5
- CLASS 5010 23" TYPE WB BRAKE, FOLIO 5
- CLASS 5010 30" TYPE WB BRAKE, FOLIO 6

- CLASS 5010 8" TYPE F SERIES A
- CLASS 5010 10" TYPE F SERIES A
- CLASS 5010 13" TYPE F SERIES A
- CLASS 5010 16" TYPE F SERIES A
- CLASS 5010 19" TYPE F SERIES A
- CLASS 5010 23" TYPE F SERIES A
- CLASS 5010 30" TYPE F SERIES A
- CLASS 5010 10" TYPE F SERIES B
- CLASS 5010 13" TYPE F SERIES B
- CLASS 5010 16" TYPE F SERIES B
- CLASS 5010 23" TYPE F SERIES B
- CLASS 5060 10" TYPE AT ADJUSTABLE TORQUE BRAKE
- CLASS 5060 13" TYPE AT ADJUSTABLE TORQUE BRAKE
- CLASS 5060 16" TYPE AT ADJUSTABLE TORQUE BRAKE

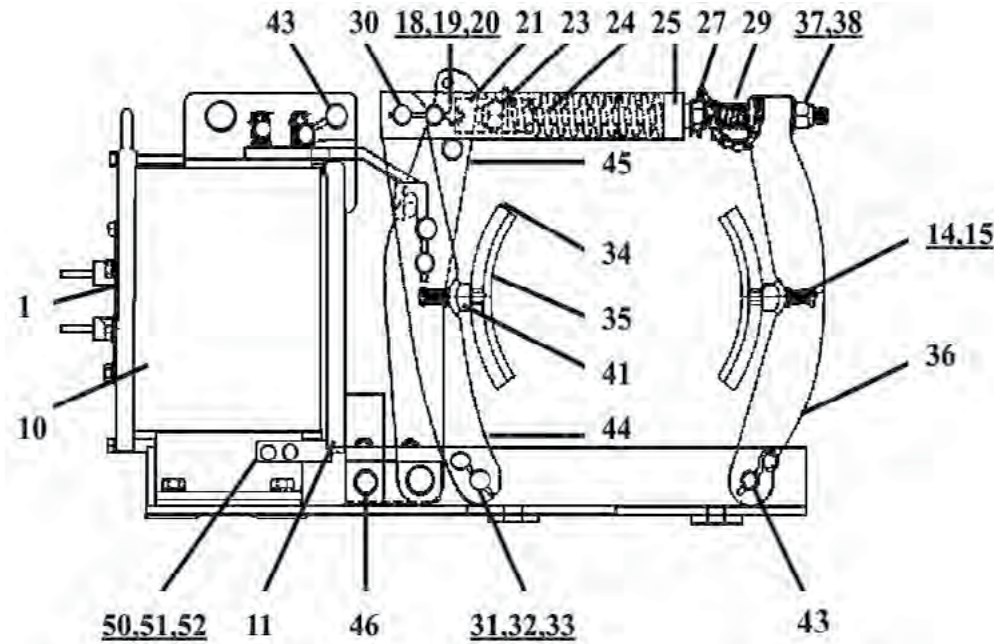
**CONTACTORS**

**SAFETY LIMIT STOPS**

**MISCELLANEOUS**

**INDEX**

| Item | OEM Part     | Description                    | Item | OEM Part     | Description                  |
|------|--------------|--------------------------------|------|--------------|------------------------------|
| 1    | 50903-134-01 | Lifting Bracket                | 37   | 50903-808-51 | Shoe Lining Kit              |
| 2    | 50903-143-01 | Magnet Case Cover Assembly     | 38   | 50903-127-50 | Outboard Shoe Lever          |
| 6    | 50903-167-01 | Terminal Shield                | 39   | 50903-411-50 | Nut and Washer Assembly      |
| 7    | 50903-166-01 | Lead Bushing                   | 42   | 50903-404-03 | Lining Wear Indicator        |
| 8    | 29206-00430  | "O" Ring                       | 43   | 50903-401-10 | Pin                          |
| 12   | 50903-102-50 | Base and Magnet Case Assembly  | 44   | 50903-129-50 | Inboard Shoe Lever           |
| 13   | 50903-121-50 | Armature                       | 45   | 50903-119-50 | Connecting Rod Lever         |
| 14   | 29005-40240  | Bearing                        | 46   | 50903-115-50 | Connecting Link              |
| 15   | 50903-140-50 | Centering Bracket              | 47   | 50903-401-12 | Pin                          |
| 16   | 50901-010-13 | Centering Bracket Spring       | 48   | 50903-139-01 | Armature Gap Indicator       |
| 20   | 50903-407-04 | Latch Pin                      | 60   | 50903-805-51 | Self-Adj. Shoe Mechanism Kit |
| 21   | 29907-02410  | "E" Ring                       | 62   | 50903-158-01 | Connecting Rod               |
| 22   | 50901-010-09 | Latch Pin Spring               | 63   | 29013-02120  | Connecting Rod Bearing       |
| 23   | 50903-117-50 | Connecting Rod Assembly        | 68   | 29005-24121  | Bearing                      |
| 24   | W-10045      | Spring Collar                  | 71   | 50903-164-50 | Crank Assembly               |
| 25   | 50901-010-12 | Operating Spring               | 72   | 50903-160-01 | Ratchet Rod                  |
| 26   | 50903-137-50 | Yoke                           | 73   | 50903-415-01 | Crank Pin                    |
| 27   | 50903-141-01 | Calibration Plate              | 74   | 50906-165-50 | Ratchet Rod End Block        |
| 28   | 50904-136-50 | Manual Release Nut             | 75   | 21601-24660  | Socket Head Screw            |
| 31   | 50901-010-11 | Connecting Rod Spring          | 76   | 50901-003-01 | Spring                       |
| 32   | 50903-401-11 | Pin                            | 77   | 50904-154-50 | Star Wheel Stop Nut Assembly |
| 33   | 50903-402-03 | Locking Pin                    | 78   | 50904-161-01 | Ratchet Rod Guide            |
| 36   | 50903-101-50 | Shoe Assembly, Includes Lining | 80   | 29005-32221  | Oilite Bearing               |
|      |              |                                | *    | 50903-809-51 | Assorted Hardware Package    |



CLASS 5010 10" TYPE F SERIES A

| Item | OEM Part     | Description                | Item | OEM Part     | Description                  |
|------|--------------|----------------------------|------|--------------|------------------------------|
| 1    | 50904-143-50 | Magnet Case Cover Assembly | 37   | 50903-411-50 | Nut and Washer Assembly      |
| 4    | 50904-167-01 | Terminal Shield            | 38   | 50901-010-03 | Shoe Mounting Spring         |
| 5    | 50904-166-01 | Lead Bushing               | 41   | 50903-404-04 | Lining Wear Indicator        |
| 6    | 29206-00430  | "O" Ring                   | 42   | 50904-107-50 | Base                         |
| 8    | 21008-06120  | Drive Screw                | 43   | 50903-401-01 | Pin                          |
| 10   | 50904-109-50 | Magnet Case                | 44   | 50904-129-50 | Inboard Shoe Lever           |
| 11   | 50904-121-5  | Armature                   | 45   | 50904-119-50 | Connecting Rod Lever         |
| 12   | 29005-48240  | Bearing                    | 46   | 50904-115-50 | Connecting Link              |
| 13   | 50904-140-50 | Centering Bracket Assy.    | 47   | 50903-401-03 | Pin                          |
| 14   | 50901-010-02 | Centering Bracket Spring   | 50   | 50904-139-01 | Armature Gap Indicator       |
| 18   | 50903-407-01 | Latch Pin                  | 53   | 50903-809-52 | Assorted Hardware Package    |
| 19   | 29907-02410  | "E" Ring                   | 60   | 50903-805-52 | Self-Adj. Shoe Mechanism Kit |
| 20   | 50901-010-09 | Latch Pin Spring           | 62   | 50904-158-01 | Connecting Rod               |
| 21   | 50904-117-50 | Connecting Rod Assembly    | 63   | 29013-02120  | Connecting Rod Bearing       |
| 23   | W-10045      | Spring Collar              | 68   | 29005-24121  | Bearing                      |
| 24   | W-10020      | Operating Spring           | 71   | 50904-164-50 | Crank Assembly               |
| 25   | 50904-137-50 | Yoke                       | 72   | 50904-160-01 | Ratchet Rod                  |
| 26   | 50904-141-01 | Calibration Plate          | 73   | 50903-415-01 | Crank Pin                    |
| 27   | 50904-136-50 | Manual Release Nut         | 74   | 50906-165-50 | Ratchet Rod End Block        |
| 29   | 50901-010-01 | Connecting Rod Spring      | 75   | 21601-24660  | Socket Head Screw            |
| 30   | 50903-401-02 | Pin                        | 76   | 50901-003-01 | Spring                       |
| 31   | 50903-402-01 | Locking Pin                | 77   | 50904-154-50 | Star Wheel Stop Nut Assembly |
| 34   | 50904-101-50 | Shoe Assembly              | 78   | 50904-161-01 | Ratchet Rod Guide            |
| 35   | 50903-808-52 | Shoe Lining Kit            | 80   | 29005-32221  | Oilite Bearing               |
| 36   | 50904-127-50 | Outboard Shoe Lever        |      |              |                              |

This document utilizes an interactive table of contents to help you jump from one section to another. Click the button to return to the table of contents.

**RETURN TO TABLE OF CONTENTS**

**BRAKES**

- EC&M No. 5 TYPE WB BRAKE, FOLIO 2
- EC&M No. 10 TYPE WB BRAKE, FOLIO 2
- EC&M No. 20 TYPE WB BRAKE, FOLIO 2
- EC&M No. 22 TYPE WB BRAKE, FOLIO 1
- EC&M No. 30 TYPE WB BRAKE, FOLIO 2
- EC&M No. 30 TYPE WB BRAKE, FOLIO 3
- EC&M No. 40 TYPE WB BRAKE, FOLIO 2
- EC&M No. 40 TYPE WB BRAKE, FOLIO 3
- EC&M No. 50 TYPE WB BRAKE, FOLIO 2
- EC&M No. 50 TYPE WB BRAKE, FOLIO 3
- EC&M No. 60 TYPE WB BRAKE, FOLIO 1
- CLASS 5010 8" TYPE WB BRAKE, FOLIO 5
- CLASS 5010 10" TYPE WB BRAKE, FOLIO 5
- CLASS 5010 13" TYPE WB BRAKE, FOLIO 5
- CLASS 5010 16" TYPE WB BRAKE, FOLIO 5
- CLASS 5010 19" TYPE WB BRAKE, FOLIO 5
- CLASS 5010 23" TYPE WB BRAKE, FOLIO 5
- CLASS 5010 30" TYPE WB BRAKE, FOLIO 6
- CLASS 5010 8" TYPE F SERIES A
- CLASS 5010 10" TYPE F SERIES A
- CLASS 5010 13" TYPE F SERIES A
- CLASS 5010 16" TYPE F SERIES A
- CLASS 5010 19" TYPE F SERIES A
- CLASS 5010 23" TYPE F SERIES A
- CLASS 5010 30" TYPE F SERIES A
- CLASS 5010 10" TYPE F SERIES B
- CLASS 5010 13" TYPE F SERIES B
- CLASS 5010 16" TYPE F SERIES B
- CLASS 5010 23" TYPE F SERIES B
- CLASS 5060 10" TYPE AT ADJUSTABLE TORQUE BRAKE
- CLASS 5060 13" TYPE AT ADJUSTABLE TORQUE BRAKE
- CLASS 5060 16" TYPE AT ADJUSTABLE TORQUE BRAKE

**CONTACTORS**

**SAFETY LIMIT STOPS**

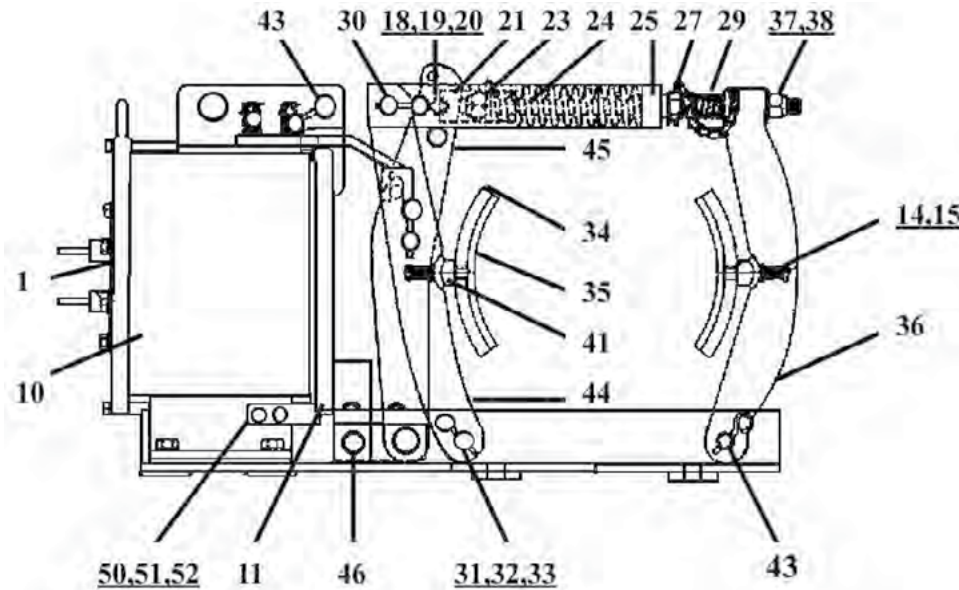
**MISCELLANEOUS**

**INDEX**



This document utilizes an interactive table of contents to help you jump from one section to another. Click the button to return to the table of contents.

**RETURN TO TABLE OF CONTENTS**



**CLASS 5010 13" TYPE F SERIES A**

**BRAKES**

- EC&M No. 5 TYPE WB BRAKE, FOLIO 2
- EC&M No. 10 TYPE WB BRAKE, FOLIO 2
- EC&M No. 20 TYPE WB BRAKE, FOLIO 2
- EC&M No. 22 TYPE WB BRAKE, FOLIO 1
- EC&M No. 30 TYPE WB BRAKE, FOLIO 2
- EC&M No. 30 TYPE WB BRAKE, FOLIO 3
- EC&M No. 40 TYPE WB BRAKE, FOLIO 2
- EC&M No. 40 TYPE WB BRAKE, FOLIO 3
- EC&M No. 50 TYPE WB BRAKE, FOLIO 2
- EC&M No. 50 TYPE WB BRAKE, FOLIO 3
- EC&M No. 60 TYPE WB BRAKE, FOLIO 1
- CLASS 5010 8" TYPE WB BRAKE, FOLIO 5
- CLASS 5010 10" TYPE WB BRAKE, FOLIO 5
- CLASS 5010 13" TYPE WB BRAKE, FOLIO 5
- CLASS 5010 16" TYPE WB BRAKE, FOLIO 5
- CLASS 5010 19" TYPE WB BRAKE, FOLIO 5
- CLASS 5010 23" TYPE WB BRAKE, FOLIO 5
- CLASS 5010 30" TYPE WB BRAKE, FOLIO 6
- CLASS 5010 8" TYPE F SERIES A
- CLASS 5010 10" TYPE F SERIES A
- CLASS 5010 13" TYPE F SERIES A
- CLASS 5010 16" TYPE F SERIES A
- CLASS 5010 19" TYPE F SERIES A
- CLASS 5010 23" TYPE F SERIES A
- CLASS 5010 30" TYPE F SERIES A
- CLASS 5010 10" TYPE F SERIES B
- CLASS 5010 13" TYPE F SERIES B
- CLASS 5010 16" TYPE F SERIES B
- CLASS 5010 23" TYPE F SERIES B
- CLASS 5060 10" TYPE AT ADJUSTABLE TORQUE BRAKE
- CLASS 5060 13" TYPE AT ADJUSTABLE TORQUE BRAKE
- CLASS 5060 16" TYPE AT ADJUSTABLE TORQUE BRAKE

**CONTACTORS**

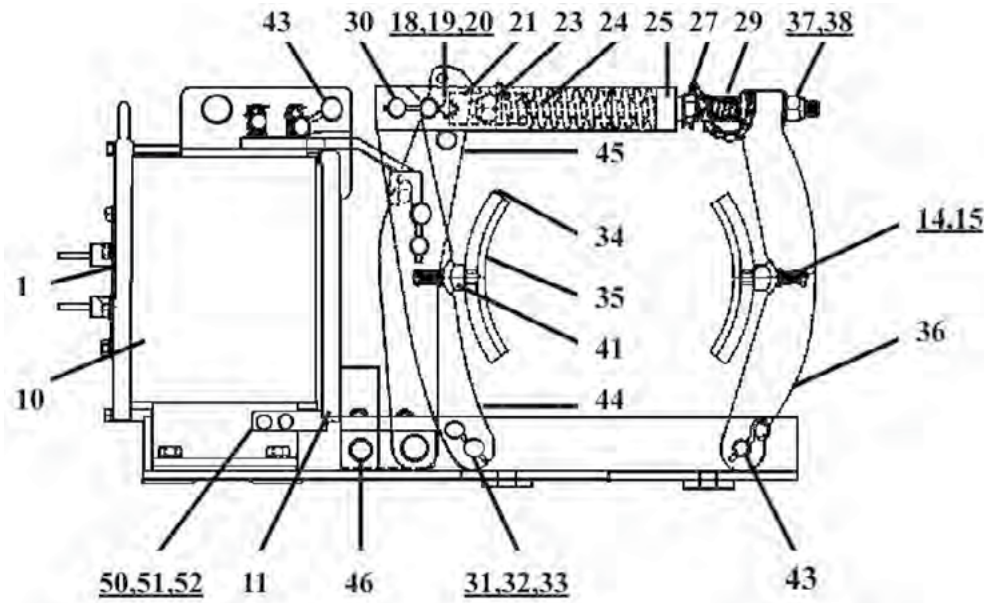
**SAFETY LIMIT STOPS**

**MISCELLANEOUS**

**INDEX**

| Item | OEM Part     | Description                    | Item | OEM Part     | Description                   |
|------|--------------|--------------------------------|------|--------------|-------------------------------|
| 1    | 50905-143-50 | Magnet Case Cover Assembly     | 35   | 50903-808-53 | Shoe Lining Kit               |
| 4    | 50905-167-05 | Terminal Shield                | 36   | 50905-127-50 | Outboard Shoe Lever           |
| 5    | 50905-168-01 | Lead Bushing                   | 37   | 50903-411-51 | Elastic Stop Nut Assembly     |
| 6    | 29206-00550  | "O" Ring                       | 41   | 50903-404-01 | Lining Wear Indicator         |
| 8    | 21008-06120  | Drive Screw                    | 42   | 50905-107-50 | Base                          |
| 10   | 50905-109-50 | Magnet Case                    | 43   | 50903-401-07 | Pin                           |
| 11   | 50905-121-50 | Armature                       | 44   | 50905-129-50 | Inboard Shoe Lever            |
| 12   | 29005-56404  | Bearing                        | 45   | 50905-119-50 | Connecting Rod Lever          |
| 13   | 50905-140-50 | Centering Bracket              | 46   | 50905-115-50 | Connecting Link               |
| 14   | 50901-010-07 | Centering Bracket Spring       | 47   | 50903-401-09 | Pin                           |
| 18   | 50903-407-03 | Latch Pin                      | 50   | 50904-139-01 | Armature Gap Indicator        |
| 19   | 29907-03210  | "E" Ring                       | 60   | 50903-805-53 | Self-adjusting Shoe Mechanism |
| 20   | 50901-010-06 | Latch Pin Spring               | 62   | 50905-158-01 | Connecting Rod                |
| 21   | 50905-117-50 | Connecting Rod Assembly        | 63   | 29013-02120  | Connecting Rod Bearing        |
| 23   | W-13045      | Spring Collar                  | 68   | 29005-24121  | Bearing                       |
| 24   | W-13020      | Operating Spring               | 69   | 29005-32221  | Oilite Bearing                |
| 25   | 50905-137-50 | Yoke                           | 71   | 50905-164-50 | Crank Assembly                |
| 26   | 50905-141-01 | Calibration Plate              | 72   | 50905-160-01 | Ratchet Rod                   |
| 27   | 50905-136-50 | Manual Release Nut             | 73   | 50903-415-02 | Crank Pin                     |
| 29   | 50901-010-08 | Connecting Rod Spring          | 74   | 50906-165-50 | Ratchet Rod End Block         |
| 30   | 50903-401-08 | Pin                            | 75   | 21601-24660  | Socket Head Screw             |
| 31   | 50903-402-01 | Locking Pin                    | 76   | 50901-003-03 | Spring                        |
| 34   | 50905-101-50 | Shoe Assembly, Includes Lining | 77   | 50905-154-50 | Star Wheel Stop Nut Assembly  |
|      |              |                                | 78   | 50904-161-01 | Ratchet Rod Guide             |
|      |              |                                | *    | 50903-809-53 | Assorted Hardware Package     |





CLASS 5010 16" TYPE F SERIES A

| Item | OEM Part     | Description                | Item | OEM Part     | Description                  |
|------|--------------|----------------------------|------|--------------|------------------------------|
| 1    | 50906-143-50 | Magnet Case Cover Assembly | 36   | 50906-127-50 | Outboard Shoe Lever          |
| 4    | 50906-167-01 | Terminal Shield            | 37   | 50903-411-52 | Elastic Stop Nut Assembly    |
| 5    | 50906-166-01 | Lead Bushing               | 41   | 50903-404-02 | Lining Wear Indicator        |
| 6    | 29206-00665  | "O" Ring                   | 42   | 50906-107-50 | Base                         |
| 8    | 21008-06120  | Drive Screw                | 43   | 50903-401-04 | Pin                          |
| 10   | 50906-109-50 | Magnet Case                | 44   | 50906-129-50 | Inboard Shoe Lever           |
| 11   | 50906-121-50 | Armature                   | 45   | 50906-119-50 | Connecting Rod Lever         |
| 12   | 29005-66446  | Bearing                    | 46   | 50906-115-50 | Connecting Link              |
| 13   | 50906-140-50 | Centering Bracket          | 47   | 50903-401-06 | Pin                          |
| 14   | 50901-010-04 | Centering Bracket Spring   | 50   | 50906-139-01 | Armature Gap Indicator       |
| 18   | 50903-407-02 | Latch Pin                  | 53   | 50903-809-54 | Assorted Hardware Package    |
| 19   | 29907-03210  | "E" Ring                   | 60   | 50903-805-54 | Self-Adj. Shoe Mechanism Kit |
| 20   | 50901-010-06 | Latch Pin Spring           | 62   | 50906-158-01 | Connecting Rod               |
| 21   | 50906-117-50 | Connecting Rod Assembly    | 63   | 29013-02120  | Connecting Rod Bearing       |
| 23   | 50903-405-01 | Spring Seat                | 68   | 29005-24121  | Bearing                      |
| 24   | WB-416       | Brake Spring               | 71   | 50906-164-50 | Crank Assembly               |
| 25   | 50906-137-50 | Yoke                       | 72   | 50906-160-01 | Ratchet Rod                  |
| 26   | 50906-141-01 | Calibration Plate          | 73   | 50903-415-03 | Crank Pin                    |
| 27   | 50906-136-50 | Manual Release Nut         | 74   | 50906-165-50 | Ratchet Rod End Block        |
| 29   | 50901-010-05 | Connecting Rod Spring      | 75   | 21601-24660  | Socket Head Screw            |
| 30   | 50903-401-05 | Pin                        | 76   | 50901-003-02 | Spring                       |
| 31   | 50903-402-02 | Locking Pin                | 77   | 50906-154-50 | Star Wheel Stop Nut Assembly |
| 34   | 50906-101-50 | Brake Shoes w/Lining       | 78   | 50906-161-01 | Ratchet Rod Guide            |
| 35   | 50903-808-54 | Shoe Lining Kit            | 80   | 29005-32221  | Oilite Bearing               |

This document utilizes an interactive table of contents to help you jump from one section to another. Click the button to return to the table of contents.

**RETURN TO TABLE OF CONTENTS**

**BRAKES**

- EC&M No. 5 TYPE WB BRAKE, FOLIO 2
- EC&M No. 10 TYPE WB BRAKE, FOLIO 2
- EC&M No. 20 TYPE WB BRAKE, FOLIO 2
- EC&M No. 22 TYPE WB BRAKE, FOLIO 1
- EC&M No. 30 TYPE WB BRAKE, FOLIO 2
- EC&M No. 30 TYPE WB BRAKE, FOLIO 3
- EC&M No. 40 TYPE WB BRAKE, FOLIO 2
- EC&M No. 40 TYPE WB BRAKE, FOLIO 3
- EC&M No. 50 TYPE WB BRAKE, FOLIO 2
- EC&M No. 50 TYPE WB BRAKE, FOLIO 3
- EC&M No. 60 TYPE WB BRAKE, FOLIO 1
- CLASS 5010 8" TYPE WB BRAKE, FOLIO 5
- CLASS 5010 10" TYPE WB BRAKE, FOLIO 5
- CLASS 5010 13" TYPE WB BRAKE, FOLIO 5
- CLASS 5010 16" TYPE WB BRAKE, FOLIO 5
- CLASS 5010 19" TYPE WB BRAKE, FOLIO 5
- CLASS 5010 23" TYPE WB BRAKE, FOLIO 5
- CLASS 5010 30" TYPE WB BRAKE, FOLIO 6

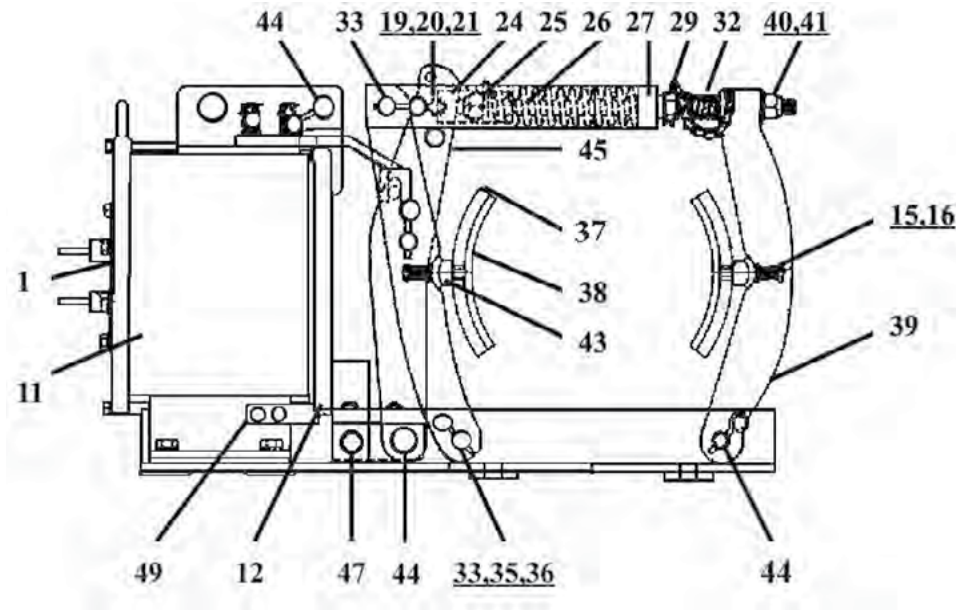
- CLASS 5010 8" TYPE F SERIES A
- CLASS 5010 10" TYPE F SERIES A
- CLASS 5010 13" TYPE F SERIES A
- CLASS 5010 16" TYPE F SERIES A
- CLASS 5010 19" TYPE F SERIES A
- CLASS 5010 23" TYPE F SERIES A
- CLASS 5010 30" TYPE F SERIES A
- CLASS 5010 10" TYPE F SERIES B
- CLASS 5010 13" TYPE F SERIES B
- CLASS 5010 16" TYPE F SERIES B
- CLASS 5010 23" TYPE F SERIES B
- CLASS 5060 10" TYPE AT ADJUSTABLE TORQUE BRAKE
- CLASS 5060 13" TYPE AT ADJUSTABLE TORQUE BRAKE
- CLASS 5060 16" TYPE AT ADJUSTABLE TORQUE BRAKE

**CONTACTORS**

**SAFETY LIMIT STOPS**

**MISCELLANEOUS**

**INDEX**



CLASS 5010 19" TYPE F SERIES A

| Item | OEM Part     | Description                    | Item | OEM Part     | Description                   |
|------|--------------|--------------------------------|------|--------------|-------------------------------|
| 1    | 50907-143-50 | Magnet Case Cover Assembly     | 38   | 50903-808-55 | Shoe Lining Kit               |
| 5    | 50907-144-01 | Terminal Shield                | 39   | 50907-127-50 | Outboard Shoe Lever Assembly  |
| 6    | 50907-134-01 | Lead Bushing                   | 40   | 50907-113-01 | Stop Nut                      |
| 7    | 29206-00761  | "O" ring                       | 41   | 50907-109-01 | Adjusting Nut                 |
| 9    | 21008-06120  | Drive Screw                    | 43   | 50903-404-05 | Lining Wear Indicator         |
| 11   | 50907-102-50 | Base and Magnet Case Assembly  | 44   | 50903-401-17 | Pin                           |
| 12   | 50907-121-50 | Armature Assembly              | 45   | 50907-129-50 | Inboard Shoe Lever Assembly   |
| 13   | 29005-72600  | Bearing                        | 46   | 50907-119-50 | Connecting Rod Lever Assembly |
| 14   | 50907-140-50 | Centering Bracket Assembly     | 47   | 50907-115-50 | Connecting Link Assembly      |
| 15   | 50901-010-20 | Centering Spring               | 48   | 50903-401-18 | Pin                           |
| 19   | 50903-407-06 | Latch Pin                      | 49   | 50907-139-01 | Armature Gap Indicator        |
| 20   | 29907-04810  | "E" Ring                       | 52   | 50903-814-55 | Self-Adj. Shoe Mechanism Kit  |
| 21   | 50901-010-18 | Latch Pin Spring               | 55   | 50907-156-01 | Spacer                        |
| 24   | 50907-117-50 | Connecting Rod Assembly        | 56   | 50907-158-01 | Connecting Rod                |
| 25   | 50903-405-05 | Spring Seat                    | 57   | 29013-02160  | Connecting Rod End Bearing    |
| 26   | 50901-010-19 | Operating Spring               | 62   | 50903-415-05 | Crank Pin                     |
| 27   | 50907-137-50 | Yoke Assembly                  | 63   | 50907-164-50 | Crank Assembly                |
| 28   | 50907-141-01 | Calibration Plate              | 64   | 50907-160-01 | Ratchet Rod                   |
| 29   | 50907-135-01 | Manual Release Nut             | 65   | 50907-165-50 | Ratchet Rod End w/Bearings    |
| 32   | 50901-010-21 | Connecting Rod Spring          | 66   | 50901-003-05 | Spring                        |
| 33   | 50903-401-19 | Pin                            | 67   | 50907-154-50 | Star Wheel Stop Nut Assembly  |
| 34   | 50903-402-02 | Locking Pin                    | 68   | 50907-161-01 | Ratchet Rod Guide             |
| 37   | 50907-101-50 | Shoe Assembly, Includes Lining | *    | 50903-809-55 | Assorted Hardware Package     |

This document utilizes an interactive table of contents to help you jump from one section to another. Click the button to return to the table of contents.

**RETURN TO TABLE OF CONTENTS**

**BRAKES**

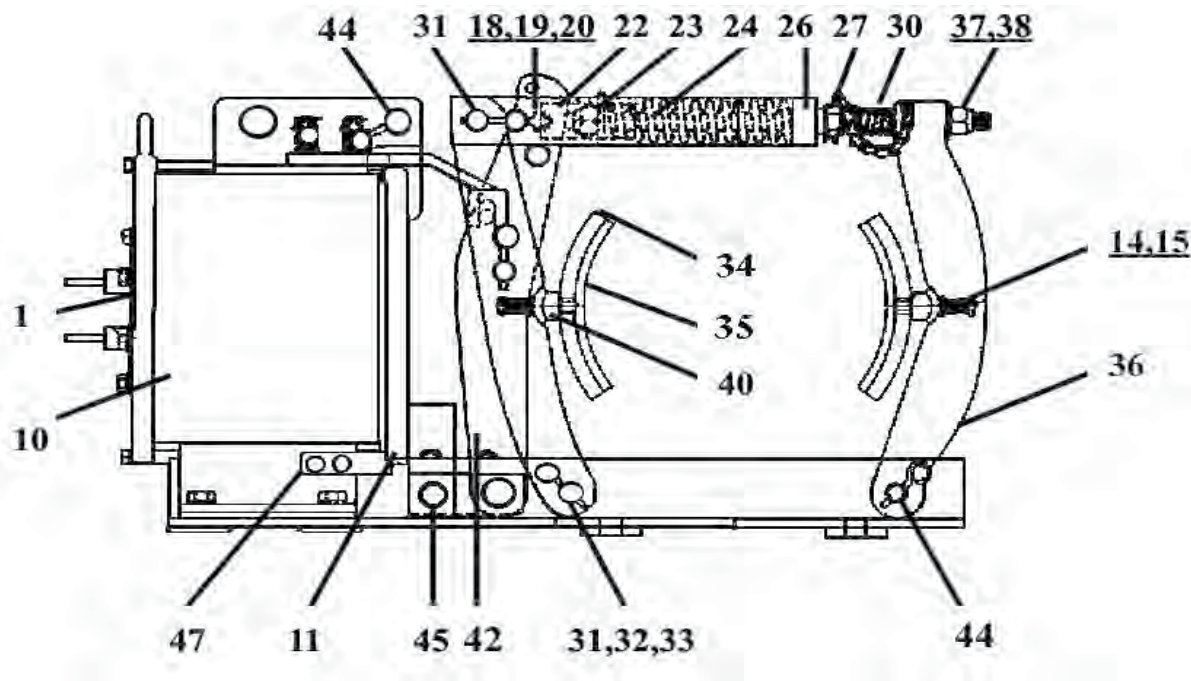
- EC&M No. 5 TYPE WB BRAKE, FOLIO 2
- EC&M No. 10 TYPE WB BRAKE, FOLIO 2
- EC&M No. 20 TYPE WB BRAKE, FOLIO 2
- EC&M No. 22 TYPE WB BRAKE, FOLIO 1
- EC&M No. 30 TYPE WB BRAKE, FOLIO 2
- EC&M No. 30 TYPE WB BRAKE, FOLIO 3
- EC&M No. 40 TYPE WB BRAKE, FOLIO 2
- EC&M No. 40 TYPE WB BRAKE, FOLIO 3
- EC&M No. 50 TYPE WB BRAKE, FOLIO 2
- EC&M No. 50 TYPE WB BRAKE, FOLIO 3
- EC&M No. 60 TYPE WB BRAKE, FOLIO 1
- CLASS 5010 8" TYPE WB BRAKE, FOLIO 5
- CLASS 5010 10" TYPE WB BRAKE, FOLIO 5
- CLASS 5010 13" TYPE WB BRAKE, FOLIO 5
- CLASS 5010 16" TYPE WB BRAKE, FOLIO 5
- CLASS 5010 19" TYPE WB BRAKE, FOLIO 5
- CLASS 5010 23" TYPE WB BRAKE, FOLIO 5
- CLASS 5010 30" TYPE WB BRAKE, FOLIO 6
- CLASS 5010 8" TYPE F SERIES A
- CLASS 5010 10" TYPE F SERIES A
- CLASS 5010 13" TYPE F SERIES A
- CLASS 5010 16" TYPE F SERIES A
- CLASS 5010 19" TYPE F SERIES A
- CLASS 5010 23" TYPE F SERIES A
- CLASS 5010 30" TYPE F SERIES A
- CLASS 5010 10" TYPE F SERIES B
- CLASS 5010 13" TYPE F SERIES B
- CLASS 5010 16" TYPE F SERIES B
- CLASS 5010 23" TYPE F SERIES B
- CLASS 5060 10" TYPE AT ADJUSTABLE TORQUE BRAKE
- CLASS 5060 13" TYPE AT ADJUSTABLE TORQUE BRAKE
- CLASS 5060 16" TYPE AT ADJUSTABLE TORQUE BRAKE

**CONTACTORS**

**SAFETY LIMIT STOPS**

**MISCELLANEOUS**

**INDEX**



CLASS 5010 23" TYPE F SERIES A

| Item | OEM Part     | Description                   | Item | OEM Part     | Description                  |
|------|--------------|-------------------------------|------|--------------|------------------------------|
| 1    | 50908-143-50 | Magnet Case Cover Assembly    | 34   | 50908-101-50 | Shoe Assembly                |
| 4    | 50908-167-01 | Terminal Shield               | 35   | 50903-808-56 | Shoe Lining Kit              |
| 5    | 50908-166-01 | Lead Bushing                  | 36   | 50908-127-50 | Outboard Shoe Lever Assembly |
| 6    | 29206-00761  | "O" ring                      | 37   | 50908-411-50 | Nut & Washer Assembly        |
| 8    | 21008-06120  | Drive Screw                   | 38   | 50908-109-01 | Adjusting Nut                |
| 10   | 50908-102-50 | Base and Magnet Case Assembly | 40   | 50903-404-05 | Lining Wear Indicator        |
| 11   | 50908-121-50 | Armature Assembly             | 41   | 50903-401-16 | Pin                          |
| 12   | 29005-79645  | Bearing                       | 42   | 50908-129-50 | Inboard Shoe Lever Assembly  |
| 13   | 50908-140-50 | Center Bracket Assembly       | 43   | 50908-119-50 | Connecting Rod Lever         |
| 14   | 50901-010-16 | Shoe Mounting Spring          | 44   | 50903-401-14 | Pin                          |
| 18   | 50903-407-05 | Latch Pin                     | 45   | 50908-115-50 | Connecting Link Assembly     |
| 19   | 29907-04810  | "E" Ring                      | 46   | 50903-401-15 | Pin                          |
| 20   | 50901-010-18 | Latch Pin Spring              | 47   | 50908-139-01 | Armature Gap Indicator       |
| 21   | 24209-32780  | Pin                           | 52   | 50903-809-56 | Assorted Hardware Package    |
| 22   | 50908-117-50 | Connector Rod Assembly        | 54   | 50903-814-56 | Self Adj. Shoe Mechanism Kit |
| 23   | 50903-405-04 | Spring Seat                   | 58   | 50908-158-01 | Connecting Rod               |
| 24   | 50901-010-14 | Operating Spring              | 61   | 50903-415-04 | Crank Pin                    |
| 25   | 50908-137-51 | Yoke Assembly                 | 62   | 50908-164-50 | Crank Assembly               |
| 26   | 50908-141-01 | Calibration Plate             | 63   | 50908-160-01 | Ratchet Rod                  |
| 27   | 50908-136-50 | Manual Release Nut Assy.      | 64   | 29013-02120  | Connecting Rod Bearing       |
| 30   | 50901-010-15 | Connecting Rod Spring         | 66   | 50901-003-02 | Spring                       |
| 31   | 50903-401-13 | Pin                           | 67   | 50908-154-50 | Star Wheel Stop Nut Assy.    |
| 32   | 50903-402-04 | Locking Pin                   | 68   | 50908-161-01 | Ratchet Rod Guide            |

This document utilizes an interactive table of contents to help you jump from one section to another. Click the button to return to the table of contents.

**RETURN TO TABLE OF CONTENTS**

**BRAKES**

- EC&M No. 5 TYPE WB BRAKE, FOLIO 2
- EC&M No. 10 TYPE WB BRAKE, FOLIO 2
- EC&M No. 20 TYPE WB BRAKE, FOLIO 2
- EC&M No. 22 TYPE WB BRAKE, FOLIO 1
- EC&M No. 30 TYPE WB BRAKE, FOLIO 2
- EC&M No. 30 TYPE WB BRAKE, FOLIO 3
- EC&M No. 40 TYPE WB BRAKE, FOLIO 2
- EC&M No. 40 TYPE WB BRAKE, FOLIO 3
- EC&M No. 50 TYPE WB BRAKE, FOLIO 2
- EC&M No. 50 TYPE WB BRAKE, FOLIO 3
- EC&M No. 60 TYPE WB BRAKE, FOLIO 1
- CLASS 5010 8" TYPE WB BRAKE, FOLIO 5
- CLASS 5010 10" TYPE WB BRAKE, FOLIO 5
- CLASS 5010 13" TYPE WB BRAKE, FOLIO 5
- CLASS 5010 16" TYPE WB BRAKE, FOLIO 5
- CLASS 5010 19" TYPE WB BRAKE, FOLIO 5
- CLASS 5010 23" TYPE WB BRAKE, FOLIO 5
- CLASS 5010 30" TYPE WB BRAKE, FOLIO 6
- CLASS 5010 8" TYPE F SERIES A
- CLASS 5010 10" TYPE F SERIES A
- CLASS 5010 13" TYPE F SERIES A
- CLASS 5010 16" TYPE F SERIES A
- CLASS 5010 19" TYPE F SERIES A
- CLASS 5010 23" TYPE F SERIES A
- CLASS 5010 30" TYPE F SERIES A
- CLASS 5010 10" TYPE F SERIES B
- CLASS 5010 13" TYPE F SERIES B
- CLASS 5010 16" TYPE F SERIES B
- CLASS 5010 23" TYPE F SERIES B
- CLASS 5060 10" TYPE AT ADJUSTABLE TORQUE BRAKE
- CLASS 5060 13" TYPE AT ADJUSTABLE TORQUE BRAKE
- CLASS 5060 16" TYPE AT ADJUSTABLE TORQUE BRAKE

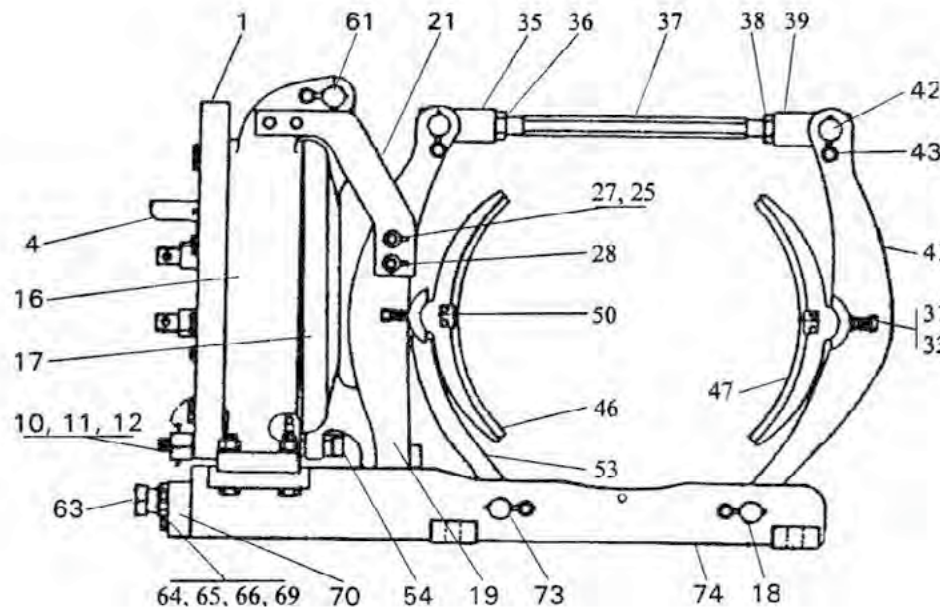
**CONTACTORS**

**SAFETY LIMIT STOPS**

**MISCELLANEOUS**

**INDEX**





CLASS 5010 30" TYPE F SERIES A

| Item | OEM Part     | Description                 | Item | OEM Part     | Description                   |
|------|--------------|-----------------------------|------|--------------|-------------------------------|
| 01   | 50909-013-01 | Magnet Case Cover           | 40   | 50909-005-50 | Connecting Rod Assembly       |
| 02   | 50909-020-01 | Terminal Shield             | 41   | 50909-008-50 | Shoe Lever Assembly, Outboard |
| 07   | 51139-040-04 | Calibration Plate           | 42   | 50903-401-20 | Pin                           |
| 10   | 51001-067-06 | Manual Release Nut          | 43   | 50903-402-04 | Locking Pin                   |
| 11   | 50502-003-32 | Washer                      | 46   | 50909-004-50 | Brake Shoe Assembly           |
| 12   | 50502-601-12 | Spring                      | 47   | 50903-808-57 | Brake Block                   |
| 16   | 50909-014-01 | Magnet Case                 | 49   | 50909-003-50 | Brake Shoe Assembly           |
| 17   | 50909-011-51 | Armature Assembly           | 50   | 50909-001-01 | Lining Wear Indicator         |
| 18   | 29005-80830  | Bearing                     | 53   | 50909-010-50 | Shoe Support Lever Assembly   |
| 19   | 50909-009-50 | Shoe Lever Assembly, Inner  | 54   | 51007-021-01 | Manual Release Screw          |
| 21   | 51007-094-01 | Bracket                     | 56   | 51007-035-01 | Non-Magnetic Spacer           |
| 25   | 50502-601-13 | Spring                      | 57   | 50909-015-01 | Armature Gap Indicator        |
| 27   | 50502-052-16 | Spacer                      | 61   | 50903-401-13 | Pin                           |
| 28   | 51007-046-01 | Bearing (Type F 30")        | 62   | 51007-027-51 | Torque Screw Assembly         |
| 29   | 51007-030-50 | Virtual Center Assembly, RH | 63   | 51007-027-02 | Torque Screw                  |
| 30   | 51007-030-51 | Virtual Center Assembly, LH | 64   | 50502-051-28 | Spacer                        |
| 31   | 50502-526-17 | Special Cap Screw           | 65   | 23690-01580  | Thrust Washer                 |
| 33   | 50502-601-38 | Shoe Clamp Spring           | 66   | 50502-003-30 | Washer                        |
| 35   | 50909-006-50 | Connecting Rod Link, RH     | 69   | 50502-551-03 | Locknut                       |
| 36   | 23003-00500  | Jam Nut, RH                 | 70   | 51007-027-01 | Torque Screw Plate            |
| 37   | 50909-005-01 | Connecting Rod              | 71   | 50502-003-31 | Spring Thrust Plate           |
| 38   | 50903-427-01 | Jam Nut, LH                 | 72   | 51007-040-01 | Operating Spring              |
| 39   | 50909-006-51 | Connecting Rod Link, LH     | 73   | 50903-401-21 | Outer & Support Lever Pin     |
|      |              |                             | 74   | 50909-007-50 | Frame Assembly                |

This document utilizes an interactive table of contents to help you jump from one section to another. Click the button to return to the table of contents.

**RETURN TO TABLE OF CONTENTS**

**BRAKES**

- EC&M No. 5 TYPE WB BRAKE, FOLIO 2
- EC&M No. 10 TYPE WB BRAKE, FOLIO 2
- EC&M No. 20 TYPE WB BRAKE, FOLIO 2
- EC&M No. 22 TYPE WB BRAKE, FOLIO 1
- EC&M No. 30 TYPE WB BRAKE, FOLIO 2
- EC&M No. 30 TYPE WB BRAKE, FOLIO 3
- EC&M No. 40 TYPE WB BRAKE, FOLIO 2
- EC&M No. 40 TYPE WB BRAKE, FOLIO 3
- EC&M No. 50 TYPE WB BRAKE, FOLIO 2
- EC&M No. 50 TYPE WB BRAKE, FOLIO 3
- EC&M No. 60 TYPE WB BRAKE, FOLIO 1
- CLASS 5010 8" TYPE WB BRAKE, FOLIO 5
- CLASS 5010 10" TYPE WB BRAKE, FOLIO 5
- CLASS 5010 13" TYPE WB BRAKE, FOLIO 5
- CLASS 5010 16" TYPE WB BRAKE, FOLIO 5
- CLASS 5010 19" TYPE WB BRAKE, FOLIO 5
- CLASS 5010 23" TYPE WB BRAKE, FOLIO 5
- CLASS 5010 30" TYPE WB BRAKE, FOLIO 6
- CLASS 5010 8" TYPE F SERIES A
- CLASS 5010 10" TYPE F SERIES A
- CLASS 5010 13" TYPE F SERIES A
- CLASS 5010 16" TYPE F SERIES A
- CLASS 5010 19" TYPE F SERIES A
- CLASS 5010 23" TYPE F SERIES A
- CLASS 5010 30" TYPE F SERIES A
- CLASS 5010 10" TYPE F SERIES B
- CLASS 5010 13" TYPE F SERIES B
- CLASS 5010 16" TYPE F SERIES B
- CLASS 5010 23" TYPE F SERIES B
- CLASS 5060 10" TYPE AT ADJUSTABLE TORQUE BRAKE
- CLASS 5060 13" TYPE AT ADJUSTABLE TORQUE BRAKE
- CLASS 5060 16" TYPE AT ADJUSTABLE TORQUE BRAKE

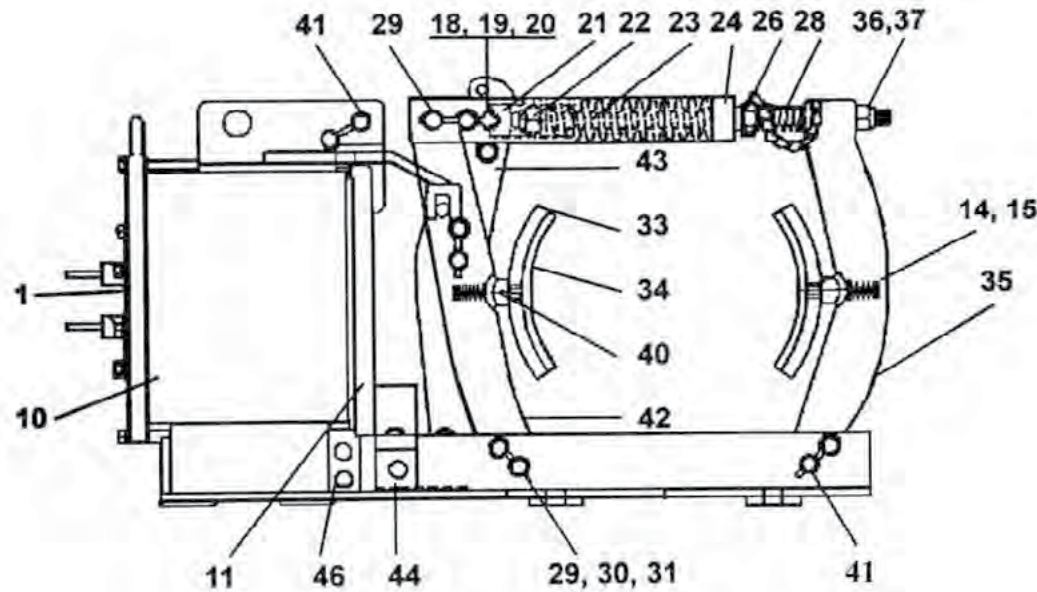
**CONTACTORS**

**SAFETY LIMIT STOPS**

**MISCELLANEOUS**

**INDEX**





CLASS 5010 10" TYPE F SERIES B

| Itm | OEM Part     | Description                 | Itm | OEM Part     | Description                  |
|-----|--------------|-----------------------------|-----|--------------|------------------------------|
| 1   | 50904-223-01 | Magnet Case                 | 35  | 50904-127-50 | Outboard Shoe Lever          |
| 4   | 50904-167-01 | Terminal Shield             | 36  | 50903-411-50 | Nut and Washer Assembly      |
| 5   | 50904-166-01 | Lead Bushing                | 38  | 50902-010-03 | Shoe Mounting Spring         |
| 6   | 29206-00430  | "O" Ring                    | 40  | 50903-404-04 | Lining Wear Indicator        |
| 8   | 21008-06120  | Drive Screw                 | 41  | 50903-401-01 | Pin                          |
| 10  | 50904-218-50 | Magnet Case & Base Assembly | 42  | 50904-129-50 | Inboard Shoe Lever           |
| 11  | 50904-215-50 | Armature                    | 43  | 50904-119-50 | Connecting Rod Lever         |
| 12  | 29005-48240  | Bearing                     | 44  | 50904-115-50 | Connecting Link              |
| 13  | 50904-140-50 | Centering Bracket Assy.     | 45  | 50903-401-03 | Pin                          |
| 14  | 50901-010-02 | Centering Bracket Spring    | 46  | 50904-226-01 | Armature Gap Indicator       |
| 18  | 50903-407-01 | Latch Pin                   | 60  | 50903-805-52 | Self-Adj. Shoe Mechanism Kit |
| 19  | 29907-02410  | "E" Ring                    | 62  | 50904-158-01 | Connecting Rod               |
| 20  | 50901-010-09 | Latch Pin Spring            | 63  | 29013-02120  | Connecting Rod Bearing       |
| 21  | 50904-117-50 | Connecting Rod Assembly     | 68  | 29005-24121  | Bearing                      |
| 22  | W-10045      | Spring Collar               | 71  | 50904-164-50 | Crank Assembly               |
| 23  | W-10020      | Operating Spring            | 72  | 50904-160-01 | Ratchet Rod                  |
| 24  | 50904-137-50 | Yoke                        | 73  | 50903-415-01 | Crank Pin                    |
| 24  | 50904-141-01 | Calibration Plate           | 74  | 50906-165-50 | Ratchet Rod End Block        |
| 26  | 50904-136-50 | Manual Release Nut          | 75  | 21601-24660  | Socket Head Screw            |
| 28  | 50901-010-01 | Connecting Rod Spring       | 76  | 50901-003-01 | Spring                       |
| 29  | 50903-401-02 | Pin                         | 77  | 50904-154-50 | Star Wheel Stop Nut Assembly |
| 30  | 50903-402-01 | Locking Pin                 | 78  | 50904-161-01 | Ratchet Rod Guide            |
| 33  | 50904-101-50 | Shoe Assembly               | 80  | 29005-32221  | Oilite Bearing               |
| 34  | 50903-808-52 | Shoe Lining Kit             |     |              |                              |

This document utilizes an interactive table of contents to help you jump from one section to another. Click the button to return to the table of contents.

**RETURN TO TABLE OF CONTENTS**

**BRAKES**

- EC&M No. 5 TYPE WB BRAKE, FOLIO 2
- EC&M No. 10 TYPE WB BRAKE, FOLIO 2
- EC&M No. 20 TYPE WB BRAKE, FOLIO 2
- EC&M No. 22 TYPE WB BRAKE, FOLIO 1
- EC&M No. 30 TYPE WB BRAKE, FOLIO 2
- EC&M No. 30 TYPE WB BRAKE, FOLIO 3
- EC&M No. 40 TYPE WB BRAKE, FOLIO 2
- EC&M No. 40 TYPE WB BRAKE, FOLIO 3
- EC&M No. 50 TYPE WB BRAKE, FOLIO 2
- EC&M No. 50 TYPE WB BRAKE, FOLIO 3
- EC&M No. 60 TYPE WB BRAKE, FOLIO 1
- CLASS 5010 8" TYPE WB BRAKE, FOLIO 5
- CLASS 5010 10" TYPE WB BRAKE, FOLIO 5
- CLASS 5010 13" TYPE WB BRAKE, FOLIO 5
- CLASS 5010 16" TYPE WB BRAKE, FOLIO 5
- CLASS 5010 19" TYPE WB BRAKE, FOLIO 5
- CLASS 5010 23" TYPE WB BRAKE, FOLIO 5
- CLASS 5010 30" TYPE WB BRAKE, FOLIO 6

- CLASS 5010 8" TYPE F SERIES A
- CLASS 5010 10" TYPE F SERIES A
- CLASS 5010 13" TYPE F SERIES A
- CLASS 5010 16" TYPE F SERIES A
- CLASS 5010 19" TYPE F SERIES A
- CLASS 5010 23" TYPE F SERIES A
- CLASS 5010 30" TYPE F SERIES A
- CLASS 5010 10" TYPE F SERIES B
- CLASS 5010 13" TYPE F SERIES B
- CLASS 5010 16" TYPE F SERIES B
- CLASS 5010 23" TYPE F SERIES B
- CLASS 5060 10" TYPE AT ADJUSTABLE TORQUE BRAKE
- CLASS 5060 13" TYPE AT ADJUSTABLE TORQUE BRAKE
- CLASS 5060 16" TYPE AT ADJUSTABLE TORQUE BRAKE

**CONTACTORS**

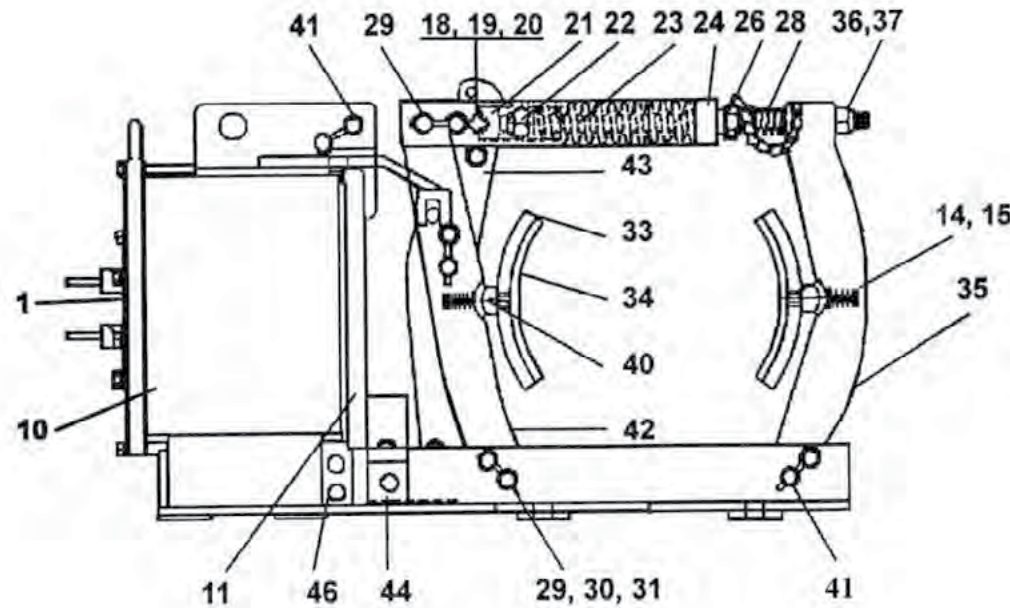
**SAFETY LIMIT STOPS**

**MISCELLANEOUS**

**INDEX**

This document utilizes an interactive table of contents to help you jump from one section to another. Click the button to return to the table of contents.

**RETURN TO TABLE OF CONTENTS**



**CLASS 5010 13" TYPE F SERIES B**

**BRAKES**

- EC&M No. 5 TYPE WB BRAKE, FOLIO 2
- EC&M No. 10 TYPE WB BRAKE, FOLIO 2
- EC&M No. 20 TYPE WB BRAKE, FOLIO 2
- EC&M No. 22 TYPE WB BRAKE, FOLIO 1
- EC&M No. 30 TYPE WB BRAKE, FOLIO 2
- EC&M No. 30 TYPE WB BRAKE, FOLIO 3
- EC&M No. 40 TYPE WB BRAKE, FOLIO 2
- EC&M No. 40 TYPE WB BRAKE, FOLIO 3
- EC&M No. 50 TYPE WB BRAKE, FOLIO 2
- EC&M No. 50 TYPE WB BRAKE, FOLIO 3
- EC&M No. 60 TYPE WB BRAKE, FOLIO 1
- CLASS 5010 8" TYPE WB BRAKE, FOLIO 5
- CLASS 5010 10" TYPE WB BRAKE, FOLIO 5
- CLASS 5010 13" TYPE WB BRAKE, FOLIO 5
- CLASS 5010 16" TYPE WB BRAKE, FOLIO 5
- CLASS 5010 19" TYPE WB BRAKE, FOLIO 5
- CLASS 5010 23" TYPE WB BRAKE, FOLIO 5
- CLASS 5010 30" TYPE WB BRAKE, FOLIO 6
- CLASS 5010 8" TYPE F SERIES A
- CLASS 5010 10" TYPE F SERIES A
- CLASS 5010 13" TYPE F SERIES A
- CLASS 5010 16" TYPE F SERIES A
- CLASS 5010 19" TYPE F SERIES A
- CLASS 5010 23" TYPE F SERIES A
- CLASS 5010 30" TYPE F SERIES A
- CLASS 5010 10" TYPE F SERIES B
- CLASS 5010 13" TYPE F SERIES B
- CLASS 5010 16" TYPE F SERIES B
- CLASS 5010 23" TYPE F SERIES B
- CLASS 5060 10" TYPE AT ADJUSTABLE TORQUE BRAKE
- CLASS 5060 13" TYPE AT ADJUSTABLE TORQUE BRAKE
- CLASS 5060 16" TYPE AT ADJUSTABLE TORQUE BRAKE

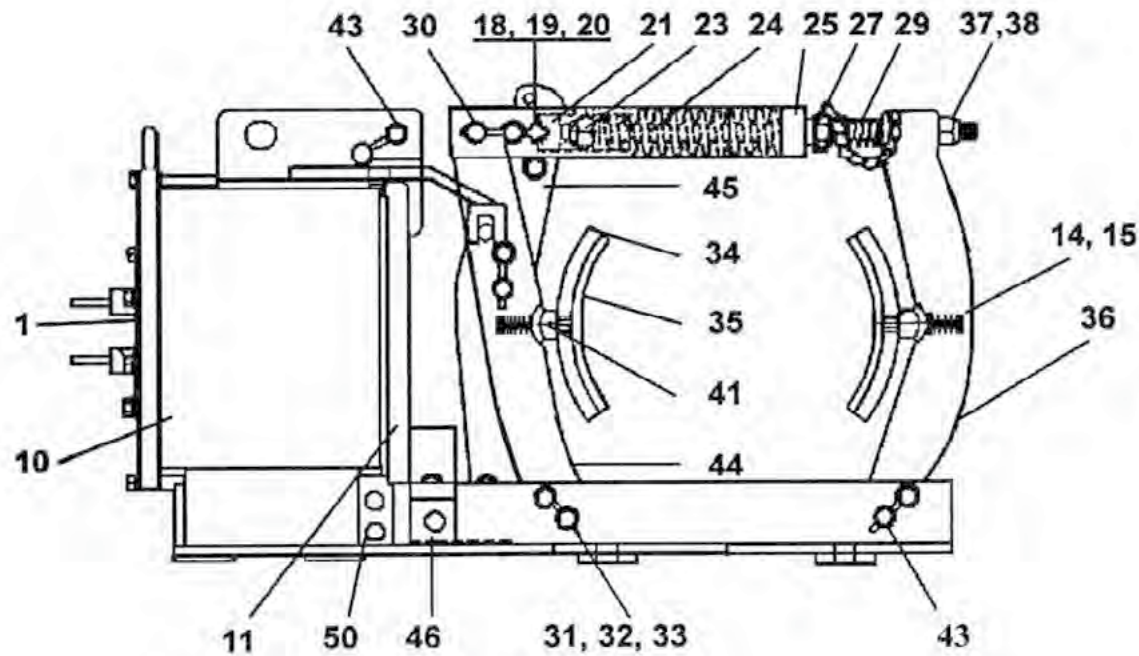
**CONTACTORS**

**SAFETY LIMIT STOPS**

**MISCELLANEOUS**

**INDEX**

| Item | OEM Part     | Description                    | Item | OEM Part     | Description                   |
|------|--------------|--------------------------------|------|--------------|-------------------------------|
| 1    | 50905-223-01 | Magnet Case Cover              | 34   | 50903-808-53 | Shoe Lining Kit               |
| 4    | 50905-167-01 | Terminal Shield                | 35   | 50905-127-50 | Outboard Shoe Lever           |
| 5    | 50905-168-01 | Lead Bushing                   | 36   | 50903-411-51 | Elastic Stop Nut Assembly     |
| 6    | 29206-00550  | "O" Ring                       | 40   | 50903-404-01 | Lining Wear Indicator         |
| 8    | 21008-06120  | Drive Screw                    | 41   | 50903-401-07 | Pin                           |
| 10   | 50905-218-50 | Magnet Case & Base Assembly    | 42   | 50905-129-50 | Inboard Shoe Lever            |
| 11   | 50905-215-50 | Armature                       | 43   | 50905-119-50 | Connecting Rod Lever          |
| 12   | 29005-56404  | Bearing                        | 44   | 50905-115-50 | Connecting Link               |
| 13   | 50905-140-50 | Centering Bracket              | 45   | 50903-401-09 | Pin                           |
| 14   | 50901-010-07 | Centering Bracket Spring       | 46   | 50904-226-01 | Armature Gap Indicator        |
| 18   | 50903-407-03 | Latch Pin                      | 60   | 50903-805-53 | Self-adjusting Shoe Mechanism |
| 19   | 29907-03210  | "E" Ring                       | 62   | 50905-158-01 | Connecting Rod                |
| 20   | 50901-010-06 | Latch Pin Spring               | 63   | 29013-02120  | Connecting Rod Bearing        |
| 21   | 50905-117-50 | Connecting Rod Assembly        | 68   | 29005-24121  | Bearing                       |
| 22   | W-13045      | Spring Collar                  | 69   | 29005-32221  | Oilite Bearing                |
| 23   | W-13020      | Operating Spring               | 71   | 50905-164-50 | Crank Assembly                |
| 24   | 50905-137-50 | Yoke                           | 72   | 50905-160-01 | Ratchet Rod                   |
| 25   | 50905-141-01 | Calibration Plate              | 73   | 50903-415-02 | Crank Pin                     |
| 26   | 50905-136-50 | Manual Release Nut             | 74   | 50906-165-50 | Ratchet Rod End Block         |
| 28   | 50901-010-08 | Connecting Rod Spring          | 75   | 21601-24660  | Socket Head Screw             |
| 29   | 50903-401-08 | Pin                            | 76   | 50901-003-03 | Spring                        |
| 30   | 50903-402-01 | Locking Pin                    | 77   | 50905-154-50 | Star Wheel Stop Nut Assembly  |
| 33   | 50905-101-50 | Shoe Assembly, Includes Lining | 78   | 50904-161-01 | Ratchet Rod Guide             |



CLASS 5010 16" TYPE F SERIES B

| Itm | OEM Part     | Description                 | Itm | OEM Part     | Description                  |
|-----|--------------|-----------------------------|-----|--------------|------------------------------|
| 1   | 50906-223-01 | Magnet Case Cover           | 31  | 50903-402-02 | Locking Pin                  |
| 4   | 50906-230-01 | Terminal Shield             | 34  | 50906-101-50 | Brake Shoes w/Lining         |
| 5   | 50906-166-01 | Lead Bushing                | 35  | 50903-808-54 | Shoe Lining Kit              |
| 6   | 29206-00665  | "O" Ring                    | 36  | 50906-127-50 | Outboard Shoe Lever          |
| 8   | 21008-06120  | Drive Screw                 | 37  | 50903-411-52 | Elastic Stop Nut Assembly    |
| 10  | 50906-218-50 | Magnet Case & Base Assembly | 43  | 50903-401-04 | Pin                          |
| 11  | 50906-215-50 | Armature                    | 44  | 50906-129-50 | Inboard Shoe Lever           |
| 12  | 29005-66446  | Bearing                     | 45  | 50906-119-50 | Connecting Rod Lever         |
| 13  | 50906-228-50 | Centering Bracket           | 46  | 50906-115-50 | Connecting Link              |
| 14  | 50901-010-04 | Centering Bracket Spring    | 47  | 50903-401-06 | Pin                          |
| 14  | 50903-404-02 | Lining Wear Indicator       | 50  | 50906-226-01 | Armature Gap Indicator       |
| 18  | 50903-407-02 | Latch Pin                   | 60  | 50903-805-54 | Self-Adj. Shoe Mechanism Kit |
| 19  | 29907-03210  | "E" Ring                    | 62  | 50906-158-01 | Connecting Rod               |
| 20  | 50901-010-06 | Latch Pin Spring            | 63  | 29013-02120  | Connecting Rod Bearing       |
| 21  | 50906-117-50 | Connecting Rod Assembly     | 68  | 29005-24121  | Bearing                      |
| 23  | 50903-405-01 | Spring Seat                 | 71  | 50906-164-50 | Crank Assembly               |
| 24  | WB-416       | Brake Spring                | 72  | 50906-160-01 | Ratchet Rod                  |
| 25  | 50906-137-50 | Yoke                        | 73  | 50903-415-03 | Crank Pin                    |
| 26  | 50906-141-01 | Calibration Plate           | 74  | 50906-165-50 | Ratchet Rod End Block        |
| 27  | 50906-136-50 | Manual Release Nut          | 76  | 50901-003-02 | Spring                       |
| 29  | 50901-010-05 | Connecting Rod Spring       | 77  | 50906-154-50 | Star Wheel Stop Nut Assembly |
| 30  | 50903-401-05 | Pin                         | 78  | 50906-161-01 | Ratchet Rod Guide            |
|     |              |                             | 80  | 29005-32221  | Oilite Bearing               |

This document utilizes an interactive table of contents to help you jump from one section to another. Click the button to return to the table of contents.

**RETURN TO TABLE OF CONTENTS**

**BRAKES**

- EC&M No. 5 TYPE WB BRAKE, FOLIO 2
- EC&M No. 10 TYPE WB BRAKE, FOLIO 2
- EC&M No. 20 TYPE WB BRAKE, FOLIO 2
- EC&M No. 22 TYPE WB BRAKE, FOLIO 1
- EC&M No. 30 TYPE WB BRAKE, FOLIO 2
- EC&M No. 30 TYPE WB BRAKE, FOLIO 3
- EC&M No. 40 TYPE WB BRAKE, FOLIO 2
- EC&M No. 40 TYPE WB BRAKE, FOLIO 3
- EC&M No. 50 TYPE WB BRAKE, FOLIO 2
- EC&M No. 50 TYPE WB BRAKE, FOLIO 3
- EC&M No. 60 TYPE WB BRAKE, FOLIO 1
- CLASS 5010 8" TYPE WB BRAKE, FOLIO 5
- CLASS 5010 10" TYPE WB BRAKE, FOLIO 5
- CLASS 5010 13" TYPE WB BRAKE, FOLIO 5
- CLASS 5010 16" TYPE WB BRAKE, FOLIO 5
- CLASS 5010 19" TYPE WB BRAKE, FOLIO 5
- CLASS 5010 23" TYPE WB BRAKE, FOLIO 5
- CLASS 5010 30" TYPE WB BRAKE, FOLIO 6
- CLASS 5010 8" TYPE F SERIES A
- CLASS 5010 10" TYPE F SERIES A
- CLASS 5010 13" TYPE F SERIES A
- CLASS 5010 16" TYPE F SERIES A
- CLASS 5010 19" TYPE F SERIES A
- CLASS 5010 23" TYPE F SERIES A
- CLASS 5010 30" TYPE F SERIES A
- CLASS 5010 10" TYPE F SERIES B
- CLASS 5010 13" TYPE F SERIES B
- CLASS 5010 16" TYPE F SERIES B
- CLASS 5010 23" TYPE F SERIES B
- CLASS 5060 10" TYPE AT ADJUSTABLE TORQUE BRAKE
- CLASS 5060 13" TYPE AT ADJUSTABLE TORQUE BRAKE
- CLASS 5060 16" TYPE AT ADJUSTABLE TORQUE BRAKE

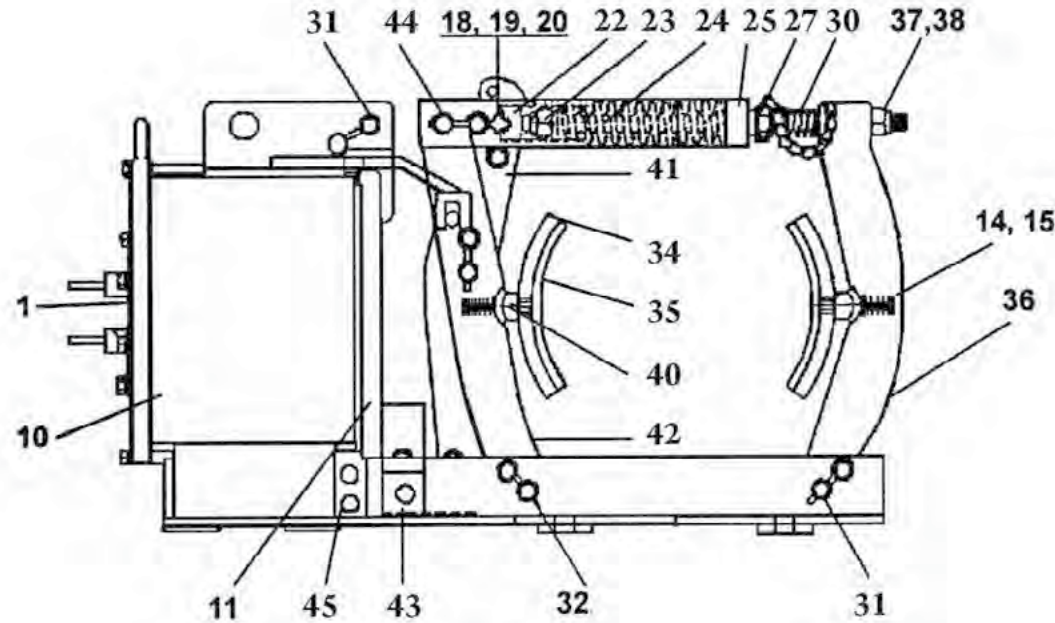
**CONTACTORS**

**SAFETY LIMIT STOPS**

**MISCELLANEOUS**

**INDEX**





CLASS 5010 23" TYPE F SERIES B

| Item | OEM Part     | Description                   | Item | OEM Part     | Description                  |
|------|--------------|-------------------------------|------|--------------|------------------------------|
| 1    | 50908-238-01 | Magnet Case Cover             | 35   | 50903-808-56 | Shoe Lining Kit              |
| 4    | 50908-254-01 | Terminal Shield               | 36   | 50908-246-50 | Outboard Shoe Lever Assembly |
| 6    | 29005-79645  | Bearing                       | 37   | 50908-411-50 | Nut & Washer Assembly        |
| 8    | 21008-06120  | Drive Screw                   | 38   | 50908-109-01 | Adjusting Nut                |
| 10   | 50908-241-50 | Base and Magnet Case Assembly | 40   | 50903-404-05 | Lining Wear Indicator        |
| 11   | 50908-237-50 | Armature Assembly             | 41   | 50908-243-50 | Inboard Shoe Lever Assembly  |
| 12   | 29005-72600  | Bearing                       | 42   | 50908-249-50 | Connecting Rod Lever         |
| 13   | 50908-231-50 | Centering Bracket Assembly    | 43   | 50908-224-50 | Connecting Link Assembly     |
| 14   | 50901-010-20 | Centering Spring              | 44   | 50903-401-23 | Pin                          |
| 18   | 50903-407-05 | Latch Pin                     | 45   | 50908-139-01 | Armature Gap Indicator       |
| 19   | 29907-04810  | "E" Ring                      | 48   | 50903-814-57 | Self-Adj. Shoe Mechanism Kit |
| 20   | 50901-010-18 | Latch Pin Spring              | 52   | 50908-259-01 | Connecting Rod               |
| 22   | 50908-232-50 | Connecting Rod Assembly       | 55   | 50903-415-06 | Crank Pin                    |
| 23   | 50903-405-04 | Spring Seat                   | 56   | 50908-263-50 | Crank Assembly               |
| 24   | 50901-010-14 | Operating Spring              | 57   | 50908-261-01 | Ratchet Rod                  |
| 25   | 50908-227-50 | Yoke Assembly                 | 58   | 29013-02160  | Connecting Rod End Bearing   |
| 26   | 50908-141-01 | Calibration Plate             | 60   | 50901-003-02 | Spring                       |
| 27   | 50908-215-50 | Manual Release Nut Assembly   | 61   | 50908-154-50 | Star Wheel Stop Nut Assy.    |
| 30   | 50901-010-15 | Connecting Rod Spring         | 62   | 50908-161-01 | Ratchet Rod Guide            |
| 31   | 50903-401-22 | Pin                           | 64   | 50907-156-01 | Spacer                       |
| 32   | 50903-402-04 | Locking Pin                   | 65   | 50907-165-50 | Ratchet Rod End w/Bearings   |
| 34   | 50908-101-50 | Shoe Assembly                 |      |              |                              |

This document utilizes an interactive table of contents to help you jump from one section to another. Click the button to return to the table of contents.

**RETURN TO TABLE OF CONTENTS**

**BRAKES**

- EC&M No. 5 TYPE WB BRAKE, FOLIO 2
- EC&M No. 10 TYPE WB BRAKE, FOLIO 2
- EC&M No. 20 TYPE WB BRAKE, FOLIO 2
- EC&M No. 22 TYPE WB BRAKE, FOLIO 1
- EC&M No. 30 TYPE WB BRAKE, FOLIO 2
- EC&M No. 30 TYPE WB BRAKE, FOLIO 3
- EC&M No. 40 TYPE WB BRAKE, FOLIO 2
- EC&M No. 40 TYPE WB BRAKE, FOLIO 3
- EC&M No. 50 TYPE WB BRAKE, FOLIO 2
- EC&M No. 50 TYPE WB BRAKE, FOLIO 3
- EC&M No. 60 TYPE WB BRAKE, FOLIO 1
- CLASS 5010 8" TYPE WB BRAKE, FOLIO 5
- CLASS 5010 10" TYPE WB BRAKE, FOLIO 5
- CLASS 5010 13" TYPE WB BRAKE, FOLIO 5
- CLASS 5010 16" TYPE WB BRAKE, FOLIO 5
- CLASS 5010 19" TYPE WB BRAKE, FOLIO 5
- CLASS 5010 23" TYPE WB BRAKE, FOLIO 5
- CLASS 5010 30" TYPE WB BRAKE, FOLIO 6
- CLASS 5010 8" TYPE F SERIES A
- CLASS 5010 10" TYPE F SERIES A
- CLASS 5010 13" TYPE F SERIES A
- CLASS 5010 16" TYPE F SERIES A
- CLASS 5010 19" TYPE F SERIES A
- CLASS 5010 23" TYPE F SERIES A
- CLASS 5010 30" TYPE F SERIES A
- CLASS 5010 10" TYPE F SERIES B
- CLASS 5010 13" TYPE F SERIES B
- CLASS 5010 16" TYPE F SERIES B
- CLASS 5010 23" TYPE F SERIES B
- CLASS 5060 10" TYPE AT ADJUSTABLE TORQUE BRAKE
- CLASS 5060 13" TYPE AT ADJUSTABLE TORQUE BRAKE
- CLASS 5060 16" TYPE AT ADJUSTABLE TORQUE BRAKE

**CONTACTORS**

**SAFETY LIMIT STOPS**

**MISCELLANEOUS**

**INDEX**



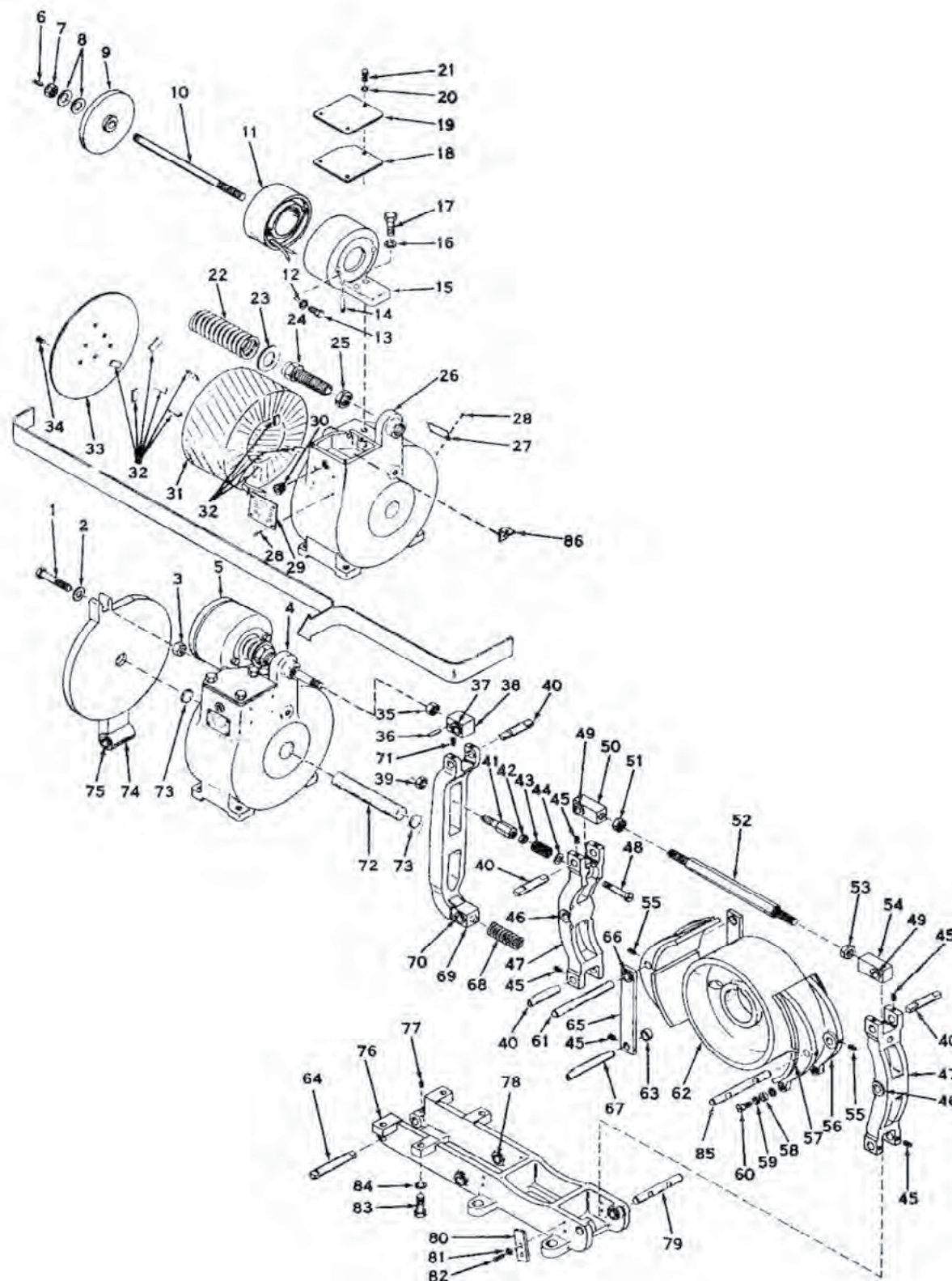
## CLASS 5060 10" TYPE AT ADJUSTABLE TORQUE BRAKE

This document utilizes an interactive table of contents to help you jump from one section to another. Click the button to return to the table of contents.

**RETURN TO  
TABLE OF CONTENTS**

**BRAKES**

- EC&M No. 5 TYPE WB BRAKE, FOLIO 2
- EC&M No. 10 TYPE WB BRAKE, FOLIO 2
- EC&M No. 20 TYPE WB BRAKE, FOLIO 2
- EC&M No. 22 TYPE WB BRAKE, FOLIO 1
- EC&M No. 30 TYPE WB BRAKE, FOLIO 2
- EC&M No. 30 TYPE WB BRAKE, FOLIO 3
- EC&M No. 40 TYPE WB BRAKE, FOLIO 2
- EC&M No. 40 TYPE WB BRAKE, FOLIO 3
- EC&M No. 50 TYPE WB BRAKE, FOLIO 2
- EC&M No. 50 TYPE WB BRAKE, FOLIO 3
- EC&M No. 60 TYPE WB BRAKE, FOLIO 1
- CLASS 5010 8" TYPE WB BRAKE, FOLIO 5
- CLASS 5010 10" TYPE WB BRAKE, FOLIO 5
- CLASS 5010 13" TYPE WB BRAKE, FOLIO 5
- CLASS 5010 16" TYPE WB BRAKE, FOLIO 5
- CLASS 5010 19" TYPE WB BRAKE, FOLIO 5
- CLASS 5010 23" TYPE WB BRAKE, FOLIO 5
- CLASS 5010 30" TYPE WB BRAKE, FOLIO 6
- CLASS 5010 8" TYPE F SERIES A
- CLASS 5010 10" TYPE F SERIES A
- CLASS 5010 13" TYPE F SERIES A
- CLASS 5010 16" TYPE F SERIES A
- CLASS 5010 19" TYPE F SERIES A
- CLASS 5010 23" TYPE F SERIES A
- CLASS 5010 30" TYPE F SERIES A
- CLASS 5010 10" TYPE F SERIES B
- CLASS 5010 13" TYPE F SERIES B
- CLASS 5010 16" TYPE F SERIES B
- CLASS 5010 23" TYPE F SERIES B
- CLASS 5060 10" TYPE AT ADJUSTABLE TORQUE BRAKE
- CLASS 5060 13" TYPE AT ADJUSTABLE TORQUE BRAKE
- CLASS 5060 16" TYPE AT ADJUSTABLE TORQUE BRAKE

**CONTACTORS****SAFETY LIMIT STOPS****MISCELLANEOUS****INDEX**

CLASS 5060 10" TYPE AT ADJUSTABLE TORQUE BRAKE

| Itm | OEM Part      | Description                   | Itm | OEM Part     | Description            |
|-----|---------------|-------------------------------|-----|--------------|------------------------|
| 02  | 50502-003-33  | Armature Stop Washer          | 74  | 51009-011-50 | Main Armature Assembly |
| 04  | 51009-049-50  | Magnet Assembly               | 75  | 51009-010-50 | Frame Assembly         |
| 05  | 51009-051-50  | Auxiliary Magnet              | 75  | FP-24B45     | Bearing                |
| 05  | 51009-052-50  | Assembled Spring Rod          | 76  | 51009-010-01 | Frame                  |
| 06  | 24209-12480   | Roll Pin                      | 78  | FP-24B45     | Bearing                |
| 07  | 51009-053-01  | Jam Nut, Series A             | 79  | W-10083      | Pin                    |
| 08  | 23690-01420   | Spherical Washer              | 80  | W-10116      | Rail                   |
| 09  | 51009-052-02  | Auxiliary Armature            | 85  | W-10032      | Shoe Pin               |
| 10  | 51009-052-01  | Spring Rod                    | 86  | FP-28A40     | Terminal               |
| 15  | 51009-056-01  | Auxiliary Magnet Case         | 87  | 51009-055-50 | Parking Coil           |
| 18  | 51009-028-02  | Terminal Box Cover Gasket     | 87  | 51009-024-52 | Coil                   |
| 19  | 51009-028-01  | Terminal Box Cover            | 87  | 51009-024-50 | Coil                   |
| 22  | W-10078       | Operating Spring              | 89  | W-8086       | Coil Spacer            |
| 23  | 50502-003-29  | Spring Adjuster Washer        | 90  | FP-74A10     | Grommet                |
| 24  | 51009-018-01  | Spring Adjuster               | 91  | 51009-013-50 | Spring Rod Assembly    |
| 25  | W-16080       | Lock Nut                      |     |              |                        |
| 26  | 51009-023-01  | Main Magnet Case              |     |              |                        |
| 27  | 51139-027-01  | Nameplate                     |     |              |                        |
| 29  | 51139-028-022 | Calibration Plate             |     |              |                        |
| 32  | W-8086        | Coil Spacer                   |     |              |                        |
| 33  | 51009-039-01  | Coil Retaining Plate          |     |              |                        |
| 36  | FP-59A10      | Roll Pin                      |     |              |                        |
| 37  | FP-24B47      | Bearing                       |     |              |                        |
| 38  | 51009-022-01  | Spring Rod Link               |     |              |                        |
| *   | 51009-022-50  | Spring Rod Link Assembly      |     |              |                        |
| 40  | W-10098       | 10" Connecting Rod Pin        |     |              |                        |
| 41  | 50502-801-05  | Stud                          |     |              |                        |
| 43  | 50502-601-09  | Centering Spring              |     |              |                        |
| 46  | FP-24B45      | Bearing                       |     |              |                        |
| 47  | 51009-014-01  | Shoe Lever                    |     |              |                        |
| 48  | 51009-016-50  | Connecting Rod Assembly       |     |              |                        |
| 48  | 50502-526-04  | Centering Spring Stud Screw   |     |              |                        |
| 49  | FP-24B47      | Bearing                       |     |              |                        |
| 50  | 51009-029-01  | Link, RH                      |     |              |                        |
| 51  | W-8080        | Lock Nut                      |     |              |                        |
| 52  | 50502-326-08  | Connecting Rod                |     |              |                        |
| 53  | W-10086       | Nut, LH                       |     |              |                        |
| 54  | W-10004-A     | Assembled Brake Shoe Complete |     |              |                        |
| 54  | 51009-029-02  | Link, LH                      |     |              |                        |
| 56  | WB-0550       | Rivet                         |     |              |                        |
| 56  | W-10005       | Brake Shoe, Only              |     |              |                        |
| 57  | W-10043       | Brake Block                   |     |              |                        |
| 58  | W-10117       | Adjusting Ring                |     |              |                        |
| 61  | W-10082       | Shoe Pin                      |     |              |                        |
| 63  | 50502-051-19  | Anti-drag Lever Spacer        |     |              |                        |
| 64  | W-10081       | Hinge Pin                     |     |              |                        |
| 65  | 51009-017-01  | Anti-Drage Lever              |     |              |                        |
| 66  | FP-24B47      | Bearing                       |     |              |                        |
| 67  | W-10079       | Drag Link Pin                 |     |              |                        |
| 68  | LZA-6149      | Release Spring                |     |              |                        |
| 69  | 51009-015-01  | L-Lever                       |     |              |                        |
| 69  | 51009-015-50  | L-Lever Assembly              |     |              |                        |
| 70  | FP-24B47      | Bearing                       |     |              |                        |
| 72  | 51009-020-01  | Thrust Pin                    |     |              |                        |
| 73  | 51009-019-01  | Thrust Pad                    |     |              |                        |
| 74  | 51009-011-01  | Main Armature                 |     |              |                        |

This document utilizes an interactive table of contents to help you jump from one section to another. Click the button to return to the table of contents.

**RETURN TO  
TABLE OF CONTENTS**

**BRAKES**

- EC&M No. 5 TYPE WB BRAKE, FOLIO 2
- EC&M No. 10 TYPE WB BRAKE, FOLIO 2
- EC&M No. 20 TYPE WB BRAKE, FOLIO 2
- EC&M No. 22 TYPE WB BRAKE, FOLIO 1
- EC&M No. 30 TYPE WB BRAKE, FOLIO 2
- EC&M No. 30 TYPE WB BRAKE, FOLIO 3
- EC&M No. 40 TYPE WB BRAKE, FOLIO 2
- EC&M No. 40 TYPE WB BRAKE, FOLIO 3
- EC&M No. 50 TYPE WB BRAKE, FOLIO 2
- EC&M No. 50 TYPE WB BRAKE, FOLIO 3
- EC&M No. 60 TYPE WB BRAKE, FOLIO 1
- CLASS 5010 8" TYPE WB BRAKE, FOLIO 5
- CLASS 5010 10" TYPE WB BRAKE, FOLIO 5
- CLASS 5010 13" TYPE WB BRAKE, FOLIO 5
- CLASS 5010 16" TYPE WB BRAKE, FOLIO 5
- CLASS 5010 19" TYPE WB BRAKE, FOLIO 5
- CLASS 5010 23" TYPE WB BRAKE, FOLIO 5
- CLASS 5010 30" TYPE WB BRAKE, FOLIO 6
- CLASS 5010 8" TYPE F SERIES A
- CLASS 5010 10" TYPE F SERIES A
- CLASS 5010 13" TYPE F SERIES A
- CLASS 5010 16" TYPE F SERIES A
- CLASS 5010 19" TYPE F SERIES A
- CLASS 5010 23" TYPE F SERIES A
- CLASS 5010 30" TYPE F SERIES A
- CLASS 5010 10" TYPE F SERIES B
- CLASS 5010 13" TYPE F SERIES B
- CLASS 5010 16" TYPE F SERIES B
- CLASS 5010 23" TYPE F SERIES B
- CLASS 5060 10" TYPE AT ADJUSTABLE TORQUE BRAKE
- CLASS 5060 13" TYPE AT ADJUSTABLE TORQUE BRAKE
- CLASS 5060 16" TYPE AT ADJUSTABLE TORQUE BRAKE

**CONTACTORS**

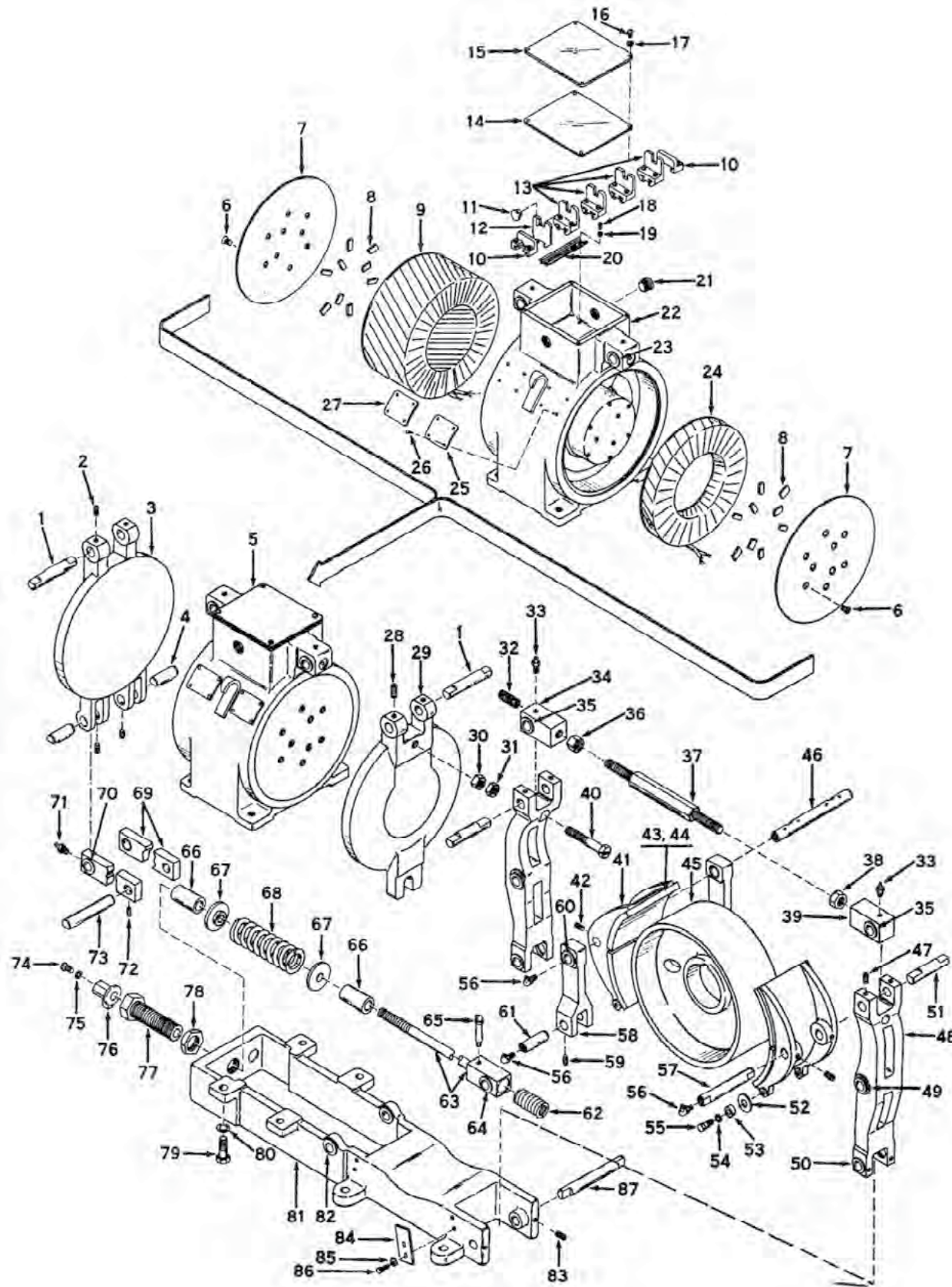
**SAFETY LIMIT STOPS**

**MISCELLANEOUS**

**INDEX**



## CLASS 5060 13" TYPE AT BRAKE, FOLIO 1



This document utilizes an interactive table of contents to help you jump from one section to another. Click the button to return to the table of contents.

## RETURN TO TABLE OF CONTENTS

### BRAKES

- EC&M No. 5 TYPE WB BRAKE, FOLIO 2
- EC&M No. 10 TYPE WB BRAKE, FOLIO 2
- EC&M No. 20 TYPE WB BRAKE, FOLIO 2
- EC&M No. 22 TYPE WB BRAKE, FOLIO 1
- EC&M No. 30 TYPE WB BRAKE, FOLIO 2
- EC&M No. 30 TYPE WB BRAKE, FOLIO 3
- EC&M No. 40 TYPE WB BRAKE, FOLIO 2
- EC&M No. 40 TYPE WB BRAKE, FOLIO 3
- EC&M No. 50 TYPE WB BRAKE, FOLIO 2
- EC&M No. 50 TYPE WB BRAKE, FOLIO 3
- EC&M No. 60 TYPE WB BRAKE, FOLIO 1
- CLASS 5010 8" TYPE WB BRAKE, FOLIO 5
- CLASS 5010 10" TYPE WB BRAKE, FOLIO 5
- CLASS 5010 13" TYPE WB BRAKE, FOLIO 5
- CLASS 5010 16" TYPE WB BRAKE, FOLIO 5
- CLASS 5010 19" TYPE WB BRAKE, FOLIO 5
- CLASS 5010 23" TYPE WB BRAKE, FOLIO 5
- CLASS 5010 30" TYPE WB BRAKE, FOLIO 6
- CLASS 5010 8" TYPE F SERIES A
- CLASS 5010 10" TYPE F SERIES A
- CLASS 5010 13" TYPE F SERIES A
- CLASS 5010 16" TYPE F SERIES A
- CLASS 5010 19" TYPE F SERIES A
- CLASS 5010 23" TYPE F SERIES A
- CLASS 5010 30" TYPE F SERIES A
- CLASS 5010 10" TYPE F SERIES B
- CLASS 5010 13" TYPE F SERIES B
- CLASS 5010 16" TYPE F SERIES B
- CLASS 5010 23" TYPE F SERIES B
- CLASS 5060 10" TYPE AT ADJUSTABLE TORQUE BRAKE
- CLASS 5060 13" TYPE AT ADJUSTABLE TORQUE BRAKE
- CLASS 5060 16" TYPE AT ADJUSTABLE TORQUE BRAKE

### CONTACTORS

### SAFETY LIMIT STOPS

### MISCELLANEOUS

### INDEX

CLASS 5060 13" TYPE AT BRAKE, FOLIO 1

| Item | OEM Part     | Description                 | Item | OEM Part   | Description                |
|------|--------------|-----------------------------|------|------------|----------------------------|
| 1    | AT-13027     | Armature                    | 82   | FP-24J13   | Bearing                    |
| 2    | AT-13002-A   | Main Armature               | 84   | W-13161    | Rail                       |
| 3    | AT-13003     | Armature                    | 87   | AT-13026   | Right Shoe Lever Hinge Pin |
| 4    | AT-13030     | Link Rod                    | *    | AT-13008-A | Connecting Rod Assembly    |
| 5    | AT-13001-A   | Magnet Assembly             |      |            |                            |
| 7    | W-13187      | Coil Retaining Plate        |      |            |                            |
| 8    | W-8086       | Coil Spacer                 |      |            |                            |
| 10   | 1828-D57-G1  | End Clamp Assembly          |      |            |                            |
| 12   | 1828-C18-X1  | Barrier                     |      |            |                            |
| 13   | 1828-D54-G1  | Terminal Block Assembly     |      |            |                            |
| 14   | AT-13040     | Terminal Box Gasket         |      |            |                            |
| 15   | AT-13031     | Terminal Box Cover          |      |            |                            |
| 20   | 1828-C22-X4  | Mounting Track              |      |            |                            |
| 22   | AT-13018     | Magnet Case                 |      |            |                            |
| 23   | FP-24B40     | Bearing                     |      |            |                            |
| 26   | AT-13024     | Nut, R.H.                   |      |            |                            |
| 27   | AT-13005-A   | Auxiliary Armature Assembly |      |            |                            |
| 29   | AT-13004-A   | Auxiliary Armature          |      |            |                            |
| 32   | AT-13008-A   | Connecting Rod              |      |            |                            |
| 34   | AT-13010     | Connecting Rod              |      |            |                            |
| 35   | FP-24J14     | Bearing                     |      |            |                            |
| 37   | AT-13009     | Connecting Rod              |      |            |                            |
| 38   | AT-13038     | Nut, L.H.                   |      |            |                            |
| 39   | AT-13011     | Connecting Rod              |      |            |                            |
| 40   | AT-13034     | Equalizing Screw            |      |            |                            |
| 41   | W-13005      | Shoe                        |      |            |                            |
| 41a  | W-13004-A    | Shoe Assembly               |      |            |                            |
| 42   | W-13043      | Brake Block                 |      |            |                            |
| 44   | W-13046      | Rivet                       |      |            |                            |
| 46   | AT-13046     | Right Shoe Pin              |      |            |                            |
| 47   | AT-13006-A   | Shoe Lever Assembly         |      |            |                            |
| 48   | AT-13007     | Shoe Lever                  |      |            |                            |
| 49   | FP-24B40     | Bearing                     |      |            |                            |
| 50   | FP-24J14     | Bearing                     |      |            |                            |
| 51   | AT-13028     | Connecting Rod              |      |            |                            |
| 52   | MT-691       | Equalizer Screw             |      |            |                            |
| 53   | W-16163      | Adjusting Ring              |      |            |                            |
| 57   | AT-13047     | Left Shoe Pin               |      |            |                            |
| 58   | AT-13039     | Anti-Drag Lever             |      |            |                            |
| 60   | FP-24B40     | Bearing                     |      |            |                            |
| 61   | AT-13029     | Pin                         |      |            |                            |
| 62   | AT-13022     | Release Spring              |      |            |                            |
| 63   | AT-13012A    | Spring Rod                  |      |            |                            |
| 64   | FP-24J14     | Bearing                     |      |            |                            |
| 66   | AT-13032     | Spacer                      |      |            |                            |
| 67   | AT-13033     | Spring Collar               |      |            |                            |
| 68   | AT-13015-A   | Armature Link Assembly      |      |            |                            |
| 68   | W-13020      | Operating Spring            |      |            |                            |
| 69   | AT-13016     | Armature Link               |      |            |                            |
| 70   | FP-24B40     | Bearing                     |      |            |                            |
| 71   | 52927-017-60 | Grease Fitting              |      |            |                            |
| 73   | AT-13025     | Spring Rod Pin              |      |            |                            |
| 76   | W-13022      | Manual Release Nut          |      |            |                            |
| 77   | W-13076      | Spring Adjusting Nut        |      |            |                            |
| 78   | WB-6115      | Special Nut                 |      |            |                            |
| 80   | AT-13019-A   | Frame Assembly              |      |            |                            |
| 81   | AT-13020     | Frame                       |      |            |                            |

This document utilizes an interactive table of contents to help you jump from one section to another. Click the button to return to the table of contents.

**RETURN TO  
TABLE OF CONTENTS**

**BRAKES**

- EC&M No. 5 TYPE WB BRAKE, FOLIO 2
- EC&M No. 10 TYPE WB BRAKE, FOLIO 2
- EC&M No. 20 TYPE WB BRAKE, FOLIO 2
- EC&M No. 22 TYPE WB BRAKE, FOLIO 1
- EC&M No. 30 TYPE WB BRAKE, FOLIO 2
- EC&M No. 30 TYPE WB BRAKE, FOLIO 3
- EC&M No. 40 TYPE WB BRAKE, FOLIO 2
- EC&M No. 40 TYPE WB BRAKE, FOLIO 3
- EC&M No. 50 TYPE WB BRAKE, FOLIO 2
- EC&M No. 50 TYPE WB BRAKE, FOLIO 3
- EC&M No. 60 TYPE WB BRAKE, FOLIO 1
- CLASS 5010 8" TYPE WB BRAKE, FOLIO 5
- CLASS 5010 10" TYPE WB BRAKE, FOLIO 5
- CLASS 5010 13" TYPE WB BRAKE, FOLIO 5
- CLASS 5010 16" TYPE WB BRAKE, FOLIO 5
- CLASS 5010 19" TYPE WB BRAKE, FOLIO 5
- CLASS 5010 23" TYPE WB BRAKE, FOLIO 5
- CLASS 5010 30" TYPE WB BRAKE, FOLIO 6
- CLASS 5010 8" TYPE F SERIES A
- CLASS 5010 10" TYPE F SERIES A
- CLASS 5010 13" TYPE F SERIES A
- CLASS 5010 16" TYPE F SERIES A
- CLASS 5010 19" TYPE F SERIES A
- CLASS 5010 23" TYPE F SERIES A
- CLASS 5010 30" TYPE F SERIES A
- CLASS 5010 10" TYPE F SERIES B
- CLASS 5010 13" TYPE F SERIES B
- CLASS 5010 16" TYPE F SERIES B
- CLASS 5010 23" TYPE F SERIES B
- CLASS 5060 10" TYPE AT ADJUSTABLE TORQUE BRAKE
- CLASS 5060 13" TYPE AT ADJUSTABLE TORQUE BRAKE
- CLASS 5060 16" TYPE AT ADJUSTABLE TORQUE BRAKE

**CONTACTORS**

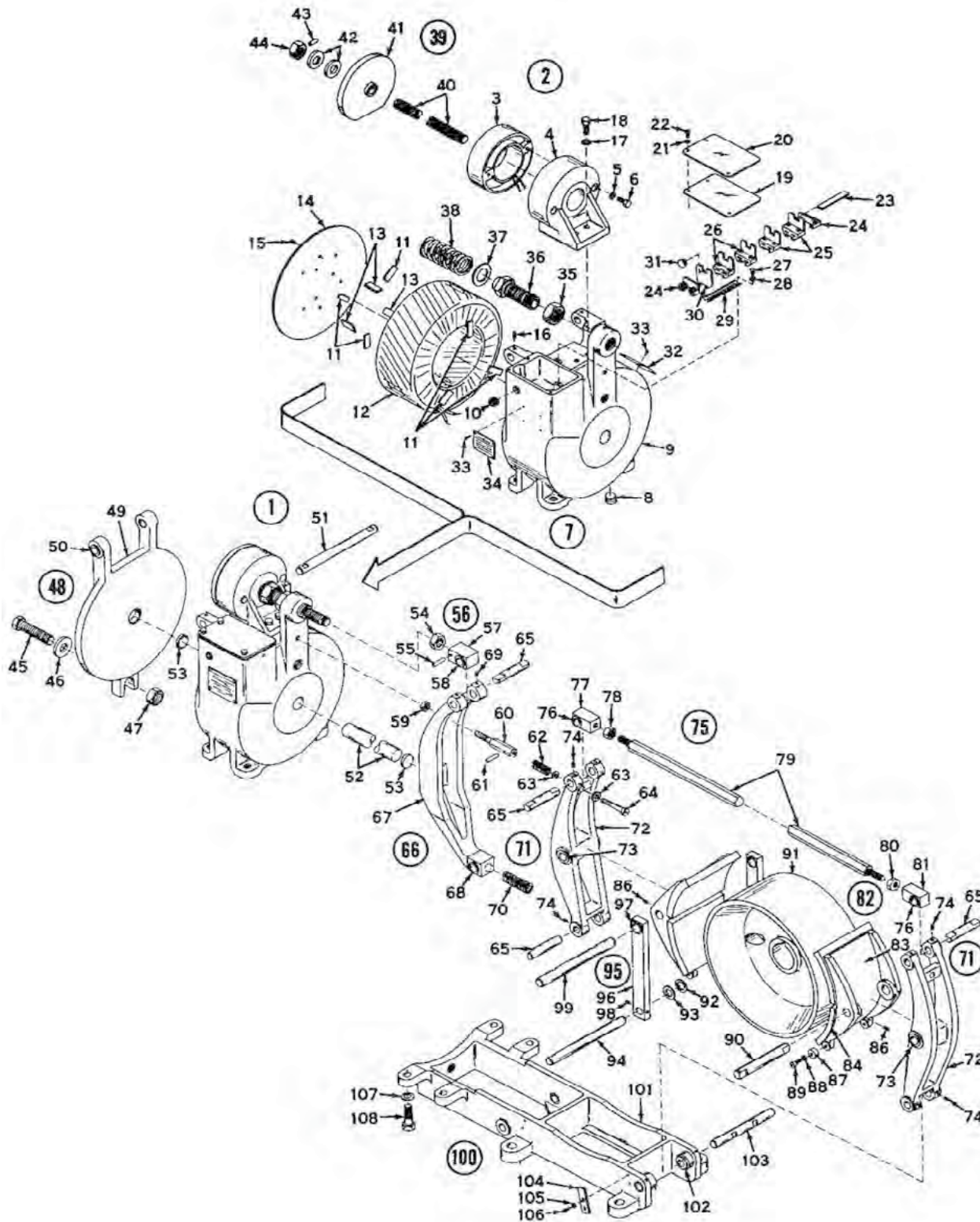
**SAFETY LIMIT STOPS**

**MISCELLANEOUS**

**INDEX**



## CLASS 5060 16" TYPE AT BRAKE, FOLIO 1



This document utilizes an interactive table of contents to help you jump from one section to another. Click the button to return to the table of contents.

## RETURN TO TABLE OF CONTENTS

### BRAKES

- EC&M No. 5 TYPE WB BRAKE, FOLIO 2
- EC&M No. 10 TYPE WB BRAKE, FOLIO 2
- EC&M No. 20 TYPE WB BRAKE, FOLIO 2
- EC&M No. 22 TYPE WB BRAKE, FOLIO 1
- EC&M No. 30 TYPE WB BRAKE, FOLIO 2
- EC&M No. 30 TYPE WB BRAKE, FOLIO 3
- EC&M No. 40 TYPE WB BRAKE, FOLIO 2
- EC&M No. 40 TYPE WB BRAKE, FOLIO 3
- EC&M No. 50 TYPE WB BRAKE, FOLIO 2
- EC&M No. 50 TYPE WB BRAKE, FOLIO 3
- EC&M No. 60 TYPE WB BRAKE, FOLIO 1
- CLASS 5010 8" TYPE WB BRAKE, FOLIO 5
- CLASS 5010 10" TYPE WB BRAKE, FOLIO 5
- CLASS 5010 13" TYPE WB BRAKE, FOLIO 5
- CLASS 5010 16" TYPE WB BRAKE, FOLIO 5
- CLASS 5010 19" TYPE WB BRAKE, FOLIO 5
- CLASS 5010 23" TYPE WB BRAKE, FOLIO 5
- CLASS 5010 30" TYPE WB BRAKE, FOLIO 6
- CLASS 5010 8" TYPE F SERIES A
- CLASS 5010 10" TYPE F SERIES A
- CLASS 5010 13" TYPE F SERIES A
- CLASS 5010 16" TYPE F SERIES A
- CLASS 5010 19" TYPE F SERIES A
- CLASS 5010 23" TYPE F SERIES A
- CLASS 5010 30" TYPE F SERIES A
- CLASS 5010 10" TYPE F SERIES B
- CLASS 5010 13" TYPE F SERIES B
- CLASS 5010 16" TYPE F SERIES B
- CLASS 5010 23" TYPE F SERIES B
- CLASS 5060 10" TYPE AT ADJUSTABLE TORQUE BRAKE
- CLASS 5060 13" TYPE AT ADJUSTABLE TORQUE BRAKE
- CLASS 5060 16" TYPE AT ADJUSTABLE TORQUE BRAKE

### CONTACTORS

### SAFETY LIMIT STOPS

### MISCELLANEOUS

### INDEX

CLASS 5060 16" TYPE AT ADJUSTABLE TORQUE BRAKE

This document utilizes an interactive table of contents to help you jump from one section to another. Click the button to return to the table of contents.

**RETURN TO TABLE OF CONTENTS**

**BRAKES**

- EC&M No. 5 TYPE WB BRAKE, FOLIO 2
- EC&M No. 10 TYPE WB BRAKE, FOLIO 2
- EC&M No. 20 TYPE WB BRAKE, FOLIO 2
- EC&M No. 22 TYPE WB BRAKE, FOLIO 1
- EC&M No. 30 TYPE WB BRAKE, FOLIO 2
- EC&M No. 30 TYPE WB BRAKE, FOLIO 3
- EC&M No. 40 TYPE WB BRAKE, FOLIO 2
- EC&M No. 40 TYPE WB BRAKE, FOLIO 3
- EC&M No. 50 TYPE WB BRAKE, FOLIO 2
- EC&M No. 50 TYPE WB BRAKE, FOLIO 3
- EC&M No. 60 TYPE WB BRAKE, FOLIO 1
- CLASS 5010 8" TYPE WB BRAKE, FOLIO 5
- CLASS 5010 10" TYPE WB BRAKE, FOLIO 5
- CLASS 5010 13" TYPE WB BRAKE, FOLIO 5
- CLASS 5010 16" TYPE WB BRAKE, FOLIO 5
- CLASS 5010 19" TYPE WB BRAKE, FOLIO 5
- CLASS 5010 23" TYPE WB BRAKE, FOLIO 5
- CLASS 5010 30" TYPE WB BRAKE, FOLIO 6
- CLASS 5010 8" TYPE F SERIES A
- CLASS 5010 10" TYPE F SERIES A
- CLASS 5010 13" TYPE F SERIES A
- CLASS 5010 16" TYPE F SERIES A
- CLASS 5010 19" TYPE F SERIES A
- CLASS 5010 23" TYPE F SERIES A
- CLASS 5010 30" TYPE F SERIES A
- CLASS 5010 10" TYPE F SERIES B
- CLASS 5010 13" TYPE F SERIES B
- CLASS 5010 16" TYPE F SERIES B
- CLASS 5010 23" TYPE F SERIES B
- CLASS 5060 10" TYPE AT ADJUSTABLE TORQUE BRAKE
- CLASS 5060 13" TYPE AT ADJUSTABLE TORQUE BRAKE
- CLASS 5060 16" TYPE AT ADJUSTABLE TORQUE BRAKE

**CONTACTORS**

**SAFETY LIMIT STOPS**

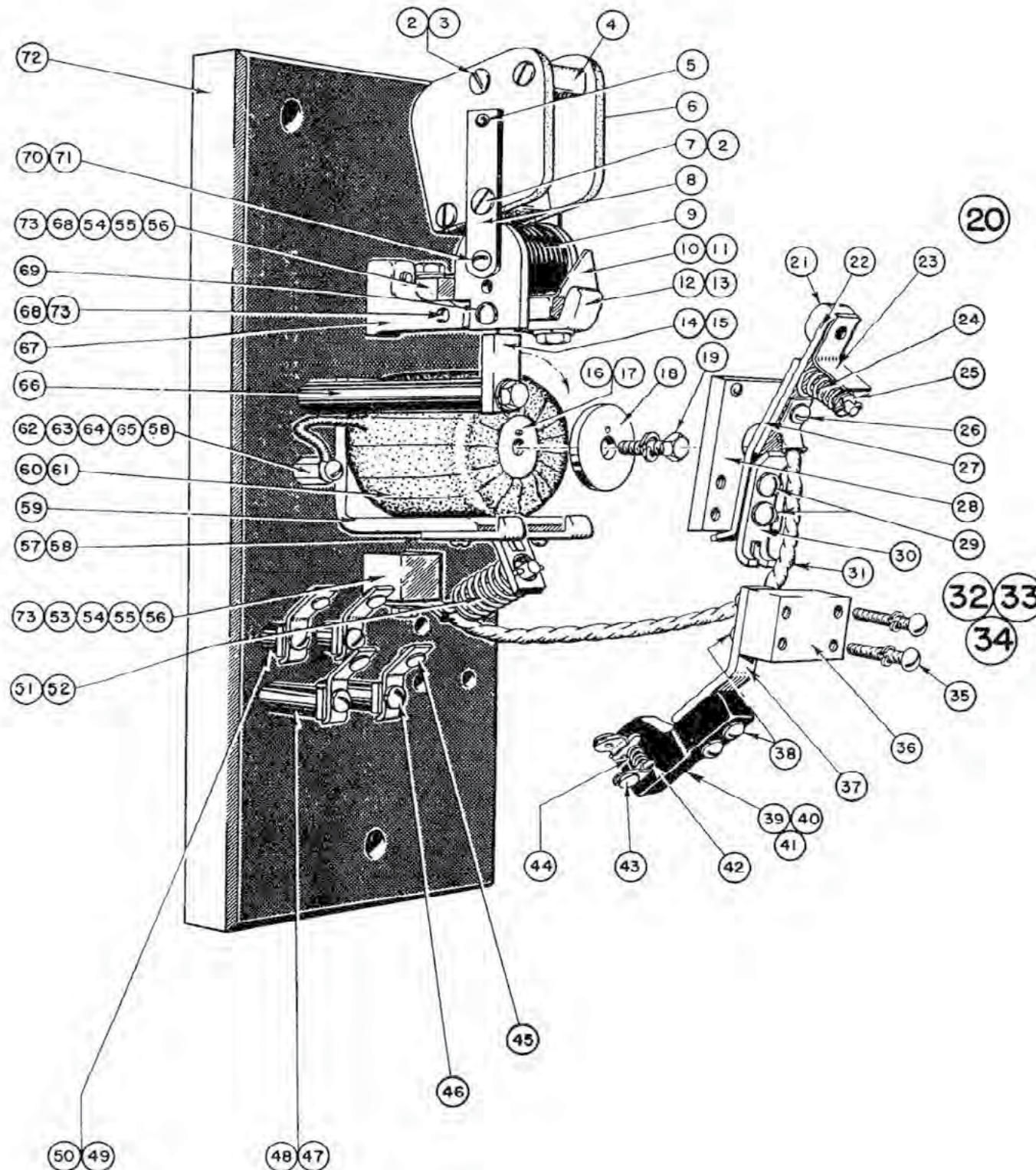
**MISCELLANEOUS**

**INDEX**

| Item | OEM Part     | Description                 | Item | OEM Part     | Description                    |
|------|--------------|-----------------------------|------|--------------|--------------------------------|
| 1    | 51011-056-50 | Magnet Assembly             | 70   | 50502-601-22 | Release Spring                 |
| 2    | 51011-047-50 | Parking Magnet Assembly     | 71   | 51011-014-50 | Shoe Lever Assembly            |
| 3    | 50512-154-22 | Coil Spacer                 | 72   | 51011-014-01 | Shoe Lever                     |
| 3    | 51011-049-51 | Parking Magnet Coil         | 73   | FP-24B32     | Shaft Bushing                  |
| 4    | 51011-048-01 | Parking Magnet Coil         | 74   | 22903-24200  | Set Screw                      |
| 5    | 23701-00240  | Pl. Lk. Washer              | 75   | 51011-016-50 | Connecting Rod Assembly        |
| 6    | 23401-24280  | Cap Screw                   | 76   | FP-24J19     | Bushing                        |
| 7    | 51011-057-50 | Service Magnet Assembly     | 77   | 51011-029-50 | Link, R.H.                     |
| 9    | 51011-059-01 | Service Magnet Case         | 78   | 50502-551-06 | Nut                            |
| 11   | W-8086       | Coil Spacer                 | 79   | 50502-326-19 | Connecting Rod                 |
| 12   | 51011-024-52 | Service Magnet Coil         | 80   | 50502-551-05 | H. St. Nut, L.H.               |
| 14   | 51011-030-01 | Coil Retaining Plate        | 81   | 51011-029-51 | Link, L.H.                     |
| 19   | 51011-031-02 | Terminal Box Gasket         | 82   | W-16004-A    | Assembled Brake Shoe, Complete |
| 20   | 51011-031-01 | Terminal Box Cover          | 83   | W-16005-A    | Brake Shoe                     |
| 23   | 1828-C23-X4  | Marking Strip               | 84   | W-16043      | Brake Block                    |
| 24   | 1828-D57-G1  | End Clamp Assembly          | 85   | W-16046      | Rivet                          |
| 25   | 1828-D55-G1  | Terminal Block Assembly     | 86   | 22903-24200  | Set Screw                      |
| 26   | 1828-D54-G1  | Terminal Block Assembly     | 87   | W-16163      | Shoe Adjusting Cam             |
| 29   | 1828-C22-X4  | Mounting Track              | 90   | W-16032      | Shoe Pin                       |
| 30   | 1828-C18-X1  | Barrier                     | 92   | WB-3227      | Washer                         |
| 31   | 1828-D71-X1  | Nylon Plug                  | 93   | 50502-003-45 | Drag Link Spacer               |
| 34   | 51139-028-03 | Calibration Plate           | 94   | 51011-036-01 | Pin                            |
| 35   | 50502-551-04 | Spring Adjuster Nut         | 95   | 51011-017-50 | Drag Link Assembly             |
| 36   | 51011-018-01 | Spring Adjuster             | 96   | 51011-017-01 | Drag Link                      |
| 37   | 50502-003-44 | Spring Adjuster Washer      | 97   | FP-24B44     | Bearing                        |
| 38   | W-16154      | Operating Spring            | 98   | 22903-24200  | Set Screw                      |
| 39   | 51011-061-51 | Spring Rod Assembly         | 99   | 51011-036-02 | Shoe Pin                       |
| 40   | 51011-050-01 | Spring Rod                  | 100  | 51011-010-50 | Frame Assembly                 |
| 41   | 51011-058-01 | Parking Magnet Armature     | 101  | 51011-010-01 | Frame                          |
| 42   | 23690-01650  | Spherical Washer            | 102  | FP-24J19     | Bushing                        |
| 43   | 24209-12480  | Roll Pin                    | 103  | 51011-036-03 | Shoe Lever Pin                 |
| 44   | 51009-053-02 | Special Nut                 | 104  | W-16162      | Rail                           |
| 45   | 21401-38840  | Cap Screw                   |      |              |                                |
| 46   | 50502-003-46 | Armature Stop Washer        |      |              |                                |
| 47   | 23002-00380  | H.Nut                       |      |              |                                |
| 48   | 51011-011-50 | Service Brake Armature Assy |      |              |                                |
| 49   | 51011-011-01 | Service Brake Armature      |      |              |                                |
| 50   | FP-24J19     | Bushing                     |      |              |                                |
| 51   | 51011-036-01 | Pin                         |      |              |                                |
| 52   | 51011-020-01 | Thrust Pin                  |      |              |                                |
| 53   | 51011-019-01 | Thrust Pad                  |      |              |                                |
| 54   | 23004-00400  | H. Nut                      |      |              |                                |
| 55   | 24209-12480  | Roll Pin                    |      |              |                                |
| 56   | 51011-022-50 | Spring Rod Link Assembly    |      |              |                                |
| 57   | 51011-022-01 | Spring Rod Link             |      |              |                                |
| 58   | FP-24J19     | Bushing                     |      |              |                                |
| 59   | 23003-00320  | Jam Nut                     |      |              |                                |
| 60   | 51011-063-01 | Centering Spring Stud       |      |              |                                |
| 61   | 24209-08241  | Roll Pin                    |      |              |                                |
| 62   | 50502-601-43 | Centering Spring            |      |              |                                |
| 63   | 23601-00280  | Washer                      |      |              |                                |
| 64   | 21401-28720  | Cap Screw                   |      |              |                                |
| 65   | AT-13028     | Connecting Rod              |      |              |                                |
| 66   | 51011-015-50 | L-Lever Assembly            |      |              |                                |
| 67   | 51011-015-01 | L-Lever                     |      |              |                                |
| 68   | FP-24J19     | Bushing                     |      |              |                                |
| 69   | 22903-24200  | Set Screw                   |      |              |                                |



## NO. 0 SINGLE POLE TYPE S CONTACTOR, FOLIO 7



This document utilizes an interactive table of contents to help you jump from one section to another. Click the button to return to the table of contents.

**RETURN TO  
TABLE OF CONTENTS**

*BRAKES**CONTACTORS*

- No. 0 SINGLE POLE TYPE S CONTACTOR, FOLIO 7
- No. 1 SINGLE POLE TYPE L LINE--ARC CONTACTOR, FOLIO 3
- No. 1 SINGLE POLE SPRING CLOSED TYPE L LINE--ARC CONTACTOR, FOLIO 3
- No. 2 SINGLE POLE TYPE L LINE--ARC CONTACTOR, FOLIO 3
- No. 2 SINGLE POLE SPRING CLOSED TYPE L LINE--ARC CONTACTOR, FOLIO 3
- No. 2 DOUBLE POLE TYPE L LINE--ARC CONTACTOR, FOLIO 3
- No. 3 SINGLE POLE TYPE L LINE--ARC CONTACTOR, FOLIO 3
- No. 3 SINGLE POLE SPRING CLOSED TYPE L LINE--ARC CONTACTOR, FOLIO 3
- No. 3 DOUBLE POLE TYPE L LINE--ARC CONTACTOR, FOLIO 3
- No. 4&4A SINGLE POLE TYPE L LINE--ARC CONTACTOR, FOLIO 3
- No. 4&4A SINGLE POLE SPRING CLOSED TYPE L LINE--ARC CONTACTOR, FOLIO 3

*SAFETY LIMIT STOPS**MISCELLANEOUS**INDEX*

NO. 0 SINGLE POLE TYPE S CONTACTOR, FOLIO 7

| Item | OEM Part  | Description                   | Item | OEM Part | Description |
|------|-----------|-------------------------------|------|----------|-------------|
| 1    | SS-0746-A | Arc Shield                    | 66   | SS-0806  | Bar         |
| 2    | FP-23A36  | Binding Screw                 | 67   | SS-0750  | Bracket     |
| 3    | FP-23A10  | Binding Post                  | 68   | ZO-1150  | Cup Washer  |
| 4    | SS-0771   | Spacer                        | 70   | SS-0781  | Core        |
| 6    | SS-0770   | Shield                        |      |          |             |
| 7    | FP-23A13  | Binding Post                  |      |          |             |
| 8    | SS-0753   | Ear                           |      |          |             |
| 9    | SS-0747-A | B.O. Coil                     |      |          |             |
| 10   | SS-0752   | Horn                          |      |          |             |
| 12   | SS-0751   | Contact Tip                   |      |          |             |
| 14   | SS-0305   | Stop Plate                    |      |          |             |
| 16   | S-0107-A  | Core                          |      |          |             |
| 17   | SS-0803   | Core Spacer                   |      |          |             |
| 18   | LT-1067   | Core Cap, Steel               |      |          |             |
| 20   | SS-0755-A | Contact Assembly              |      |          |             |
| 21   | DR-1139   | Contact                       |      |          |             |
| 22   | SS-0754   | Contact Finger                |      |          |             |
| 23   | SS-0786   | Guard                         |      |          |             |
| 24   | SS-0896   | Spring                        |      |          |             |
| 25   | ZS-0349   | Guide                         |      |          |             |
| 27   | SS-0796-A | Bracket                       |      |          |             |
| 28   | SS-0922-A | Armature                      |      |          |             |
| 30   | SS-0795   | Plate                         |      |          |             |
| 31   | SS-0828-A | Connector                     |      |          |             |
| 32   | EL-53-G   | Control Circuit               |      |          |             |
| 33   | EL-54-G   | Control Circuit               |      |          |             |
| 34   | EL-55-G   | Control Circuit               |      |          |             |
| 36   | EL-63     | Block                         |      |          |             |
| 37   | EL-62     | Control Circuit Support       |      |          |             |
| 39   | EL-1-A    | Control Circuit Arm, Complete |      |          |             |
| 40   | EL-2-A    | Control Circuit Arm, Complete |      |          |             |
| 41   | EL-3      | Control Circuit Arm Only      |      |          |             |
| 42   | EL-87     | Spring Retainer               |      |          |             |
| 43   | EL-84-A   | Contact Bridge                |      |          |             |
| 44   | EL-49     | Spring                        |      |          |             |
| 45   | EL-6-A    | Control Circuit Contact       |      |          |             |
| 47   | EL-19     | Stud                          |      |          |             |
| 48   | EL-20     | Stud                          |      |          |             |
| 49   | EL-9      | Stud                          |      |          |             |
| 50   | EL-10     | Stud                          |      |          |             |
| 51   | SS-0769-A | Pin                           |      |          |             |
| 52   | SS-0802   | Spring                        |      |          |             |
| 53   | LT-1091   | Spring Washer                 |      |          |             |
| 54   | SS-0756   | Terminal Stud                 |      |          |             |
| 55   | SS-0757   | Stud                          |      |          |             |
| 56   | SS-0758   | Stud                          |      |          |             |
| 57   | SS-0798   | Plate                         |      |          |             |
| 59   | SS-0827-A | Frame                         |      |          |             |
| 60   | SS-0785-A | Coil                          |      |          |             |
| 61   | SS-0782-A | Retarding Coil                |      |          |             |
| 62   | SS-0110   | Coil Terminal Stud            |      |          |             |
| 63   | LTZ-1809  | Coil Terminal Stud            |      |          |             |
| 64   | LTZ-1810  | Coil Terminal Stud            |      |          |             |
| 65   | LTZ-1811  | Coil Terminal Stud            |      |          |             |

This document utilizes an interactive table of contents to help you jump from one section to another. Click the button to return to the table of contents.

**RETURN TO  
TABLE OF CONTENTS**

*BRAKES*

*CONTACTORS*

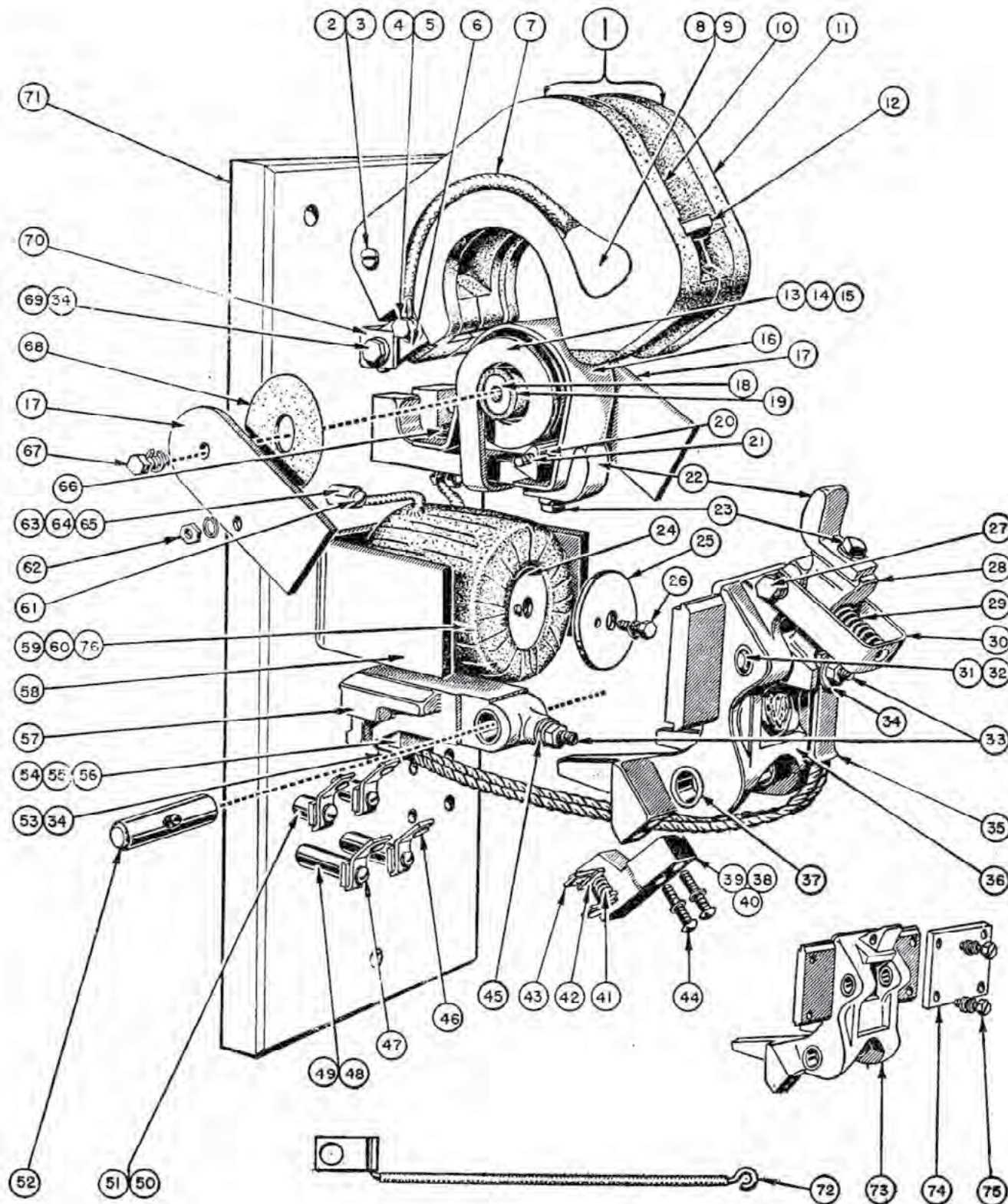
- No. 0 SINGLE POLE TYPE S CONTACTOR, FOLIO 7
- No. 1 SINGLE POLE TYPE L LINE--ARC CONTACTOR, FOLIO 3
- No. 1 SINGLE POLE SPRING CLOSED TYPE L LINE--ARC CONTACTOR, FOLIO 3
- No. 2 SINGLE POLE TYPE L LINE--ARC CONTACTOR, FOLIO 3
- No. 2 SINGLE POLE SPRING CLOSED TYPE L LINE--ARC CONTACTOR, FOLIO 3
- No. 2 DOUBLE POLE TYPE L LINE--ARC CONTACTOR, FOLIO 3
- No. 3 SINGLE POLE TYPE L LINE--ARC CONTACTOR, FOLIO 3
- No. 3 SINGLE POLE SPRING CLOSED TYPE L LINE--ARC CONTACTOR, FOLIO 3
- No. 3 DOUBLE POLE TYPE L LINE--ARC CONTACTOR, FOLIO 3
- No. 4&4A SINGLE POLE TYPE L LINE--ARC CONTACTOR, FOLIO 3
- No. 4&4A SINGLE POLE SPRING CLOSED TYPE L LINE--ARC CONTACTOR, FOLIO 3

*SAFETY LIMIT STOPS*

*MISCELLANEOUS*

*INDEX*





This document utilizes an interactive table of contents to help you jump from one section to another. Click the button to return to the table of contents.

**RETURN TO  
 TABLE OF CONTENTS**

*BRAKES*

*CONTACTORS*

- No. 0 SINGLE POLE TYPE S CONTACTOR, FOLIO 7
- No. 1 SINGLE POLE TYPE L LINE--ARC CONTACTOR, FOLIO 3
- No. 1 SINGLE POLE SPRING CLOSED TYPE L LINE--ARC CONTACTOR, FOLIO 3
- No. 2 SINGLE POLE TYPE L LINE--ARC CONTACTOR, FOLIO 3
- No. 2 SINGLE POLE SPRING CLOSED TYPE L LINE--ARC CONTACTOR, FOLIO 3
- No. 2 DOUBLE POLE TYPE L LINE--ARC CONTACTOR, FOLIO 3
- No. 3 SINGLE POLE TYPE L LINE--ARC CONTACTOR, FOLIO 3
- No. 3 SINGLE POLE SPRING CLOSED TYPE L LINE--ARC CONTACTOR, FOLIO 3
- No. 3 DOUBLE POLE TYPE L LINE--ARC CONTACTOR, FOLIO 3
- No. 4&4A SINGLE POLE TYPE L LINE--ARC CONTACTOR, FOLIO 3
- No. 4&4A SINGLE POLE SPRING CLOSED TYPE L LINE--ARC CONTACTOR, FOLIO 3

*SAFETY LIMIT STOPS*

*MISCELLANEOUS*

*INDEX*

NO. 1 SINGLE POLE TYPE L LINE-ARC CONTACTOR, FOLIO 3

| Item | OEM Part  | Description                   | Item | OEM Part | Description       |
|------|-----------|-------------------------------|------|----------|-------------------|
| 1    | LT-1024-A | Arc Shield Complete           | 70   | LT-1050  | Arc Shield Clip   |
| 2    | FP-23A36  | Binding Screw                 | 72   | L-1016-A | Blowout Connector |
| 3    | FP-23A13  | Binding Nut                   | 73   | L-1083-A | Magnet Arm        |
| 5    | ZO-1150   | Cup Washer                    | 74   | L-1036   | Tie Bar           |
| 6    | LT-1049   | Arc Shield Hinge              |      |          |                   |
| 7    | LT-1081   | Arc Plate Connector           |      |          |                   |
| 9    | ZO-1121   | Cup Washer                    |      |          |                   |
| 10   | LT-1035   | Arc Shield, Left Hand         |      |          |                   |
| 11   | LT-1036   | Arc Shield, Right Hand        |      |          |                   |
| 12   | LT-1032   | Arc Plate                     |      |          |                   |
| 13   | LT-1656-A | Blowout Coil                  |      |          |                   |
| 14   | LT-1657-A | Blowout Coil                  |      |          |                   |
| 15   | LT-1658-A | Blowout Coil                  |      |          |                   |
| 16   | LT-1265-A | Blowout Guard                 |      |          |                   |
| 17   | LT-1052   | Blowout Ear                   |      |          |                   |
| 18   | LT-1039   | Blowout Core                  |      |          |                   |
| 19   | LT-1074   | Insulator                     |      |          |                   |
| 20   | LT-1064   | Blowout Ear Spacer            |      |          |                   |
| 21   | LT-1072   | Stud                          |      |          |                   |
| 22   | LT-1031   | Contact Tip                   |      |          |                   |
| 24   | L-1015-A  | Core                          |      |          |                   |
| 25   | L-1026    | Core Cap                      |      |          |                   |
| 28   | LT-1028-A | Auxiliary Arm                 |      |          |                   |
| 29   | L-1027    | Contact Spring                |      |          |                   |
| 30   | L-1021    | Contact Spring Bracket        |      |          |                   |
| 31   | LT-1038   | Auxiliary Arm Pin             |      |          |                   |
| 32   | FP-24B12  | Bearing                       |      |          |                   |
| 33   | LT-1092   | Set Screw                     |      |          |                   |
| 35   | LT-1025-A | Connector                     |      |          |                   |
| 36   | L-1013-A  | Magnet Arm                    |      |          |                   |
| 37   | FP-24B13  | Bearing                       |      |          |                   |
| 38   | EL-1-A    | Control Circuit Arm, Complete |      |          |                   |
| 39   | EL-2-A    | Control Circuit Arm, Complete |      |          |                   |
| 40   | EL-3      | Control Circuit Arm Only      |      |          |                   |
| 41   | EL-49     | Spring                        |      |          |                   |
| 42   | EL-87     | Spring Retainer               |      |          |                   |
| 43   | EL-84-A   | Contact Bridge                |      |          |                   |
| 46   | EL-6-A    | Control Circuit Contact       |      |          |                   |
| 48   | EL-19     | Stud                          |      |          |                   |
| 49   | EL-20     | Stud                          |      |          |                   |
| 50   | EL-9      | Stud                          |      |          |                   |
| 51   | EL-10     | Stud                          |      |          |                   |
| 52   | LT-1037   | Magnet Arm Pin                |      |          |                   |
| 54   | LT-1044-A | Main Terminal Stud            |      |          |                   |
| 55   | LT-1045-A | Main Terminal Stud            |      |          |                   |
| 56   | LT-1646-A | Main Terminal Stud            |      |          |                   |
| 57   | LT-1029-A | Magnet Arm Bracket            |      |          |                   |
| 58   | L-1018-A  | Frame                         |      |          |                   |
| 59   | L-1010-A  | Coil                          |      |          |                   |
| 60   | L-1011-A  | Magnet Coil                   |      |          |                   |
| 63   | LTZ-1809  | Coil Terminal Stud            |      |          |                   |
| 64   | LTZ-1810  | Coil Terminal Stud            |      |          |                   |
| 65   | LTZ-1811  | Coil Terminal Stud            |      |          |                   |
| 68   | LT-1075   | Insulator                     |      |          |                   |

This document utilizes an interactive table of contents to help you jump from one section to another. Click the button to return to the table of contents.

**RETURN TO  
TABLE OF CONTENTS**

*BRAKES*

*CONTACTORS*

- No. 0 SINGLE POLE TYPE S CONTACTOR, FOLIO 7
- No. 1 SINGLE POLE TYPE L LINE--ARC CONTACTOR, FOLIO 3
- No. 1 SINGLE POLE SPRING CLOSED TYPE L LINE--ARC CONTACTOR, FOLIO 3
- No. 2 SINGLE POLE TYPE L LINE--ARC CONTACTOR, FOLIO 3
- No. 2 SINGLE POLE SPRING CLOSED TYPE L LINE--ARC CONTACTOR, FOLIO 3
- No. 2 DOUBLE POLE TYPE L LINE--ARC CONTACTOR, FOLIO 3
- No. 3 SINGLE POLE TYPE L LINE--ARC CONTACTOR, FOLIO 3
- No. 3 SINGLE POLE SPRING CLOSED TYPE L LINE--ARC CONTACTOR, FOLIO 3
- No. 3 DOUBLE POLE TYPE L LINE--ARC CONTACTOR, FOLIO 3
- No. 4&4A SINGLE POLE TYPE L LINE--ARC CONTACTOR, FOLIO 3
- No. 4&4A SINGLE POLE SPRING CLOSED TYPE L LINE--ARC CONTACTOR, FOLIO 3

*SAFETY LIMIT STOPS*

*MISCELLANEOUS*

*INDEX*

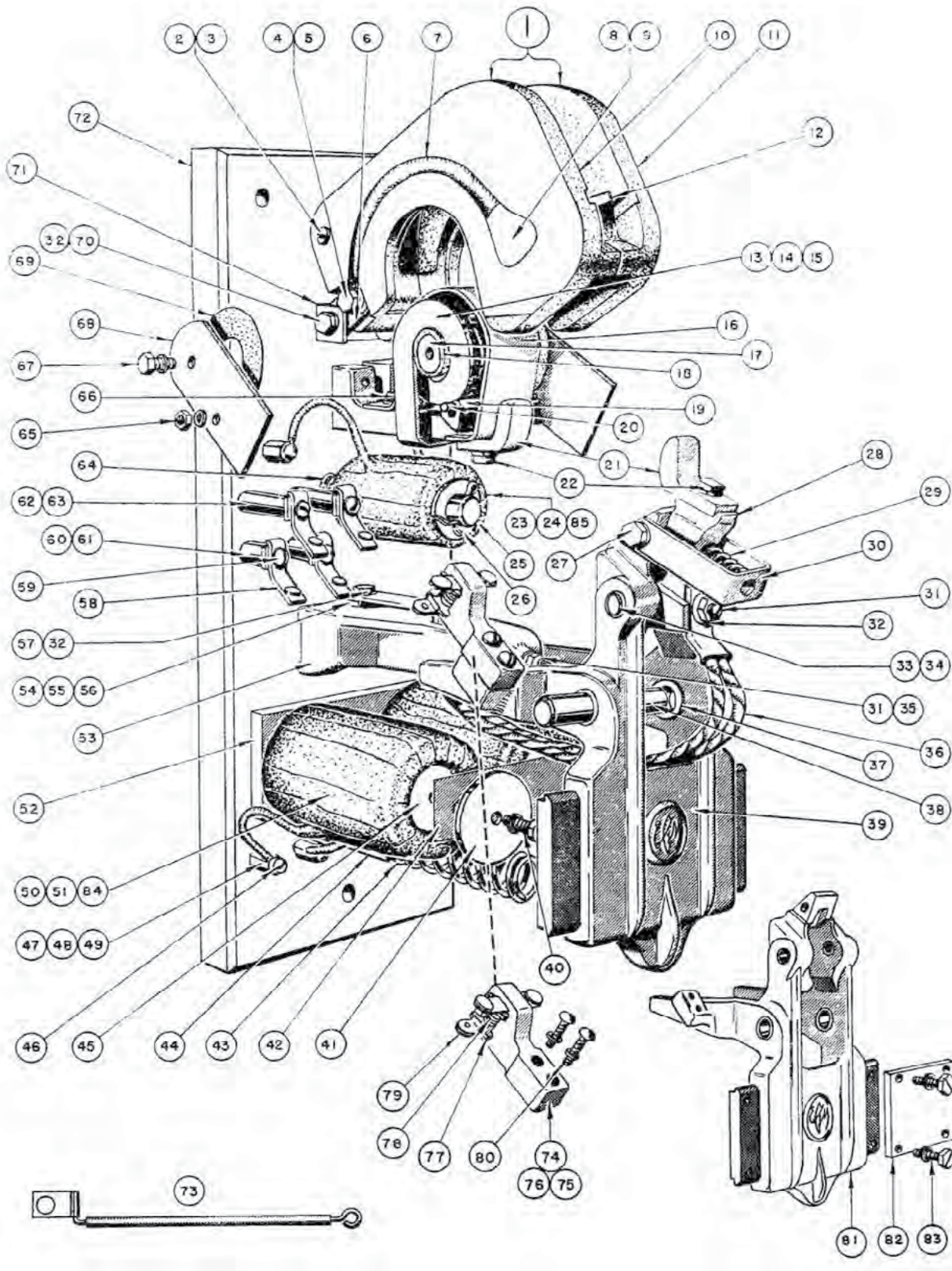


O.C.C.

Replacement Parts For

SQUARE-D

NO. 1 SINGLE POLE SPRING CLOSED TYPE L LINE-ARC CONTACTOR, FOLIO 3



This document utilizes an interactive table of contents to help you jump from one section to another. Click the button to return to the table of contents.

**RETURN TO  
TABLE OF CONTENTS**

*BRAKES*

*CONTACTORS*

- No. 0 SINGLE POLE TYPE S CONTACTOR, FOLIO 7
- No. 1 SINGLE POLE TYPE L LINE--ARC CONTACTOR, FOLIO 3
- No. 1 SINGLE POLE SPRING CLOSED TYPE L LINE--ARC CONTACTOR, FOLIO 3
- No. 2 SINGLE POLE TYPE L LINE--ARC CONTACTOR, FOLIO 3
- No. 2 SINGLE POLE SPRING CLOSED TYPE L LINE--ARC CONTACTOR, FOLIO 3
- No. 2 DOUBLE POLE TYPE L LINE--ARC CONTACTOR, FOLIO 3
- No. 3 SINGLE POLE TYPE L LINE--ARC CONTACTOR, FOLIO 3
- No. 3 SINGLE POLE SPRING CLOSED TYPE L LINE--ARC CONTACTOR, FOLIO 3
- No. 3 DOUBLE POLE TYPE L LINE--ARC CONTACTOR, FOLIO 3
- No. 4&4A SINGLE POLE TYPE L LINE--ARC CONTACTOR, FOLIO 3
- No. 4&4A SINGLE POLE SPRING CLOSED TYPE L LINE--ARC CONTACTOR, FOLIO 3

*SAFETY LIMIT STOPS*

*MISCELLANEOUS*

*INDEX*

**O.C.C.**

Replacement Parts For

**SQUARE-D**

NO. 1 SINGLE POLE SPRING CLOSED TYPE L LINE-ARC CONTACTOR, FOLIO 3

This document utilizes an interactive table of contents to help you jump from one section to another. Click the button to return to the table of contents.

**RETURN TO  
TABLE OF CONTENTS**

**BRAKES****CONTACTORS**

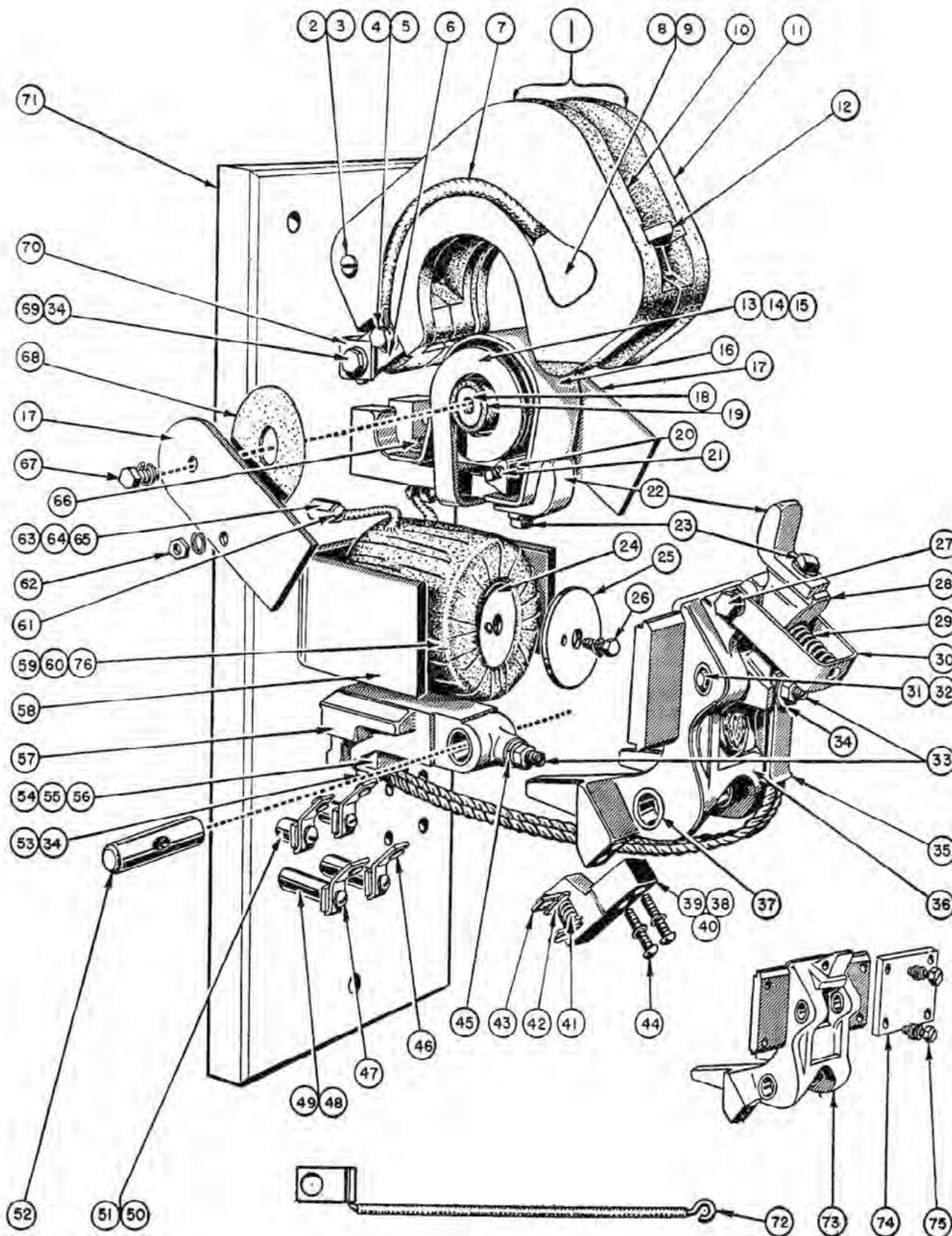
- No. 0 SINGLE POLE TYPE S CONTACTOR, FOLIO 7
- No. 1 SINGLE POLE TYPE L LINE--ARC CONTACTOR, FOLIO 3
- No. 1 SINGLE POLE SPRING CLOSED TYPE L LINE--ARC CONTACTOR, FOLIO 3
- No. 2 SINGLE POLE TYPE L LINE--ARC CONTACTOR, FOLIO 3
- No. 2 SINGLE POLE SPRING CLOSED TYPE L LINE--ARC CONTACTOR, FOLIO 3
- No. 2 DOUBLE POLE TYPE L LINE--ARC CONTACTOR, FOLIO 3
- No. 3 SINGLE POLE TYPE L LINE--ARC CONTACTOR, FOLIO 3
- No. 3 SINGLE POLE SPRING CLOSED TYPE L LINE--ARC CONTACTOR, FOLIO 3
- No. 3 DOUBLE POLE TYPE L LINE--ARC CONTACTOR, FOLIO 3
- No. 4&4A SINGLE POLE TYPE L LINE--ARC CONTACTOR, FOLIO 3
- No. 4&4A SINGLE POLE SPRING CLOSED TYPE L LINE--ARC CONTACTOR, FOLIO 3

**SAFETY LIMIT STOPS****MISCELLANEOUS****INDEX**

| Item | OEM Part  | Description             | Item | OEM Part | Description                   |
|------|-----------|-------------------------|------|----------|-------------------------------|
| 1    | LT-1024-A | Arc Shield Complete     | 73   | L-1109-A | Blowout Connector             |
| 2    | FP-23A36  | Binding Screw           | 74   | EL-1-A   | Control Circuit Arm, Complete |
| 3    | FP-23A13  | Binding Nut             | 75   | EL-2-A   | Control Circuit Arm, Complete |
| 5    | ZO-1150   | Cup Washer              | 76   | EL-3     | Control Circuit Arm Only      |
| 6    | LT-1049   | Arc Shield Hinge        | 77   | EL-87    | Spring Retainer               |
| 7    | LT-1081   | Arc Plate Connector     | 78   | EL-49    | Spring                        |
| 9    | ZO-1121   | Cup Washer              | 79   | EL-84-A  | Contact Bridge                |
| 10   | LT-1035   | Arc Shield, Left Hand   | 81   | L-1190-A | Magnet Arm                    |
| 11   | LT-1036   | Arc Shield, Right Hand  | 82   | L-3036   | Tie Bar                       |
| 12   | LT-1032   | Arc Plate               |      |          |                               |
| 13   | LT-1656-A | Blowout Coil            |      |          |                               |
| 14   | LT-1657-A | Blowout Coil            |      |          |                               |
| 15   | LT-1658-A | Blowout Coil            |      |          |                               |
| 16   | LT-1265-A | Blowout Guard           |      |          |                               |
| 17   | LT-1039   | Blowout Core            |      |          |                               |
| 18   | LT-1074   | Insulator               |      |          |                               |
| 19   | LT-1064   | Blowout Ear Spacer      |      |          |                               |
| 20   | LT-1072   | Stud                    |      |          |                               |
| 21   | LT-1031   | Contact Tip             |      |          |                               |
| 23   | L-1113-A  | Retarding Coil          |      |          |                               |
| 24   | L-1114-A  | Retarding Coil          |      |          |                               |
| 25   | L-1108    | Stop Bar                |      |          |                               |
| 26   | L-1119    | Washer                  |      |          |                               |
| 28   | LT-1028-A | Auxiliary Arm           |      |          |                               |
| 29   | L-1027    | Contact Spring          |      |          |                               |
| 30   | L-1021    | Contact Spring Bracket  |      |          |                               |
| 31   | LT-1092   | Set Screw               |      |          |                               |
| 32   | LT-1091   | Spring Washer           |      |          |                               |
| 33   | LT-1038   | Auxiliary Arm Pin       |      |          |                               |
| 34   | FP-24B12  | Bearing                 |      |          |                               |
| 36   | L-1111-A  | Connector               |      |          |                               |
| 37   | FP-24B13  | Bearing                 |      |          |                               |
| 38   | LT-2037   | Pin                     |      |          |                               |
| 39   | L-1102-A  | Magnet Arm              |      |          |                               |
| 41   | L-1026    | Core Cap                |      |          |                               |
| 42   | L-3029    | Non-Magnetic Spacer     |      |          |                               |
| 43   | L-1105    | Operating Spring        |      |          |                               |
| 44   | L-1106    | Operating Spring Holder |      |          |                               |
| 45   | L-3015-A  | Core                    |      |          |                               |
| 47   | LTZ-1809  | Coil Terminal Stud      |      |          |                               |
| 48   | LTZ-1810  | Coil Terminal Stud      |      |          |                               |
| 49   | LTZ-1811  | Coil Terminal Stud      |      |          |                               |
| 50   | L-3011-A  | Coil f/230 Volt         |      |          |                               |
| 51   | L-3012-A  | Coil f/115 Volt         |      |          |                               |
| 52   | L-3018-A  | Core Plate              |      |          |                               |
| 53   | L-1104-A  | Magnet Arm Bracket      |      |          |                               |
| 54   | LT-1044-A | Main Terminal Stud      |      |          |                               |
| 55   | LT-1045-A | Main Terminal Stud      |      |          |                               |
| 56   | LT-1646-A | Main Terminal Stud      |      |          |                               |
| 58   | EL-6-A    | Control Circuit Contact |      |          |                               |
| 60   | EL-13     | Stud                    |      |          |                               |
| 61   | EL-14     | Stud                    |      |          |                               |
| 62   | EL-25     | Stud                    |      |          |                               |
| 63   | EL-26     | Stud                    |      |          |                               |
| 64   | DLM-67    | Spring                  |      |          |                               |
| 68   | LT-1052   | Blowout Ear             |      |          |                               |
| 69   | LT-1075   | Insulator               |      |          |                               |
| 71   | LT-1050   | Arc Shield Clip         |      |          |                               |



NO. 2 SINGLE POLE TYPE L LINE-ARC  
CONTACTOR, FOLIO 3



This document utilizes an interactive table of contents to help you jump from one section to another. Click the button to return to the table of contents.

**RETURN TO  
TABLE OF CONTENTS**

*BRAKES*

*CONTACTORS*

- No. 0 SINGLE POLE TYPE S CONTACTOR, FOLIO 7
- No. 1 SINGLE POLE TYPE L LINE--ARC CONTACTOR, FOLIO 3
- No. 1 SINGLE POLE SPRING CLOSED TYPE L LINE--ARC CONTACTOR, FOLIO 3
- No. 2 SINGLE POLE TYPE L LINE--ARC CONTACTOR, FOLIO 3
- No. 2 SINGLE POLE SPRING CLOSED TYPE L LINE--ARC CONTACTOR, FOLIO 3
- No. 2 DOUBLE POLE TYPE L LINE--ARC CONTACTOR, FOLIO 3
- No. 3 SINGLE POLE TYPE L LINE--ARC CONTACTOR, FOLIO 3
- No. 3 SINGLE POLE SPRING CLOSED TYPE L LINE--ARC CONTACTOR, FOLIO 3
- No. 3 DOUBLE POLE TYPE L LINE--ARC CONTACTOR, FOLIO 3
- No. 4&4A SINGLE POLE TYPE L LINE--ARC CONTACTOR, FOLIO 3
- No. 4&4A SINGLE POLE SPRING CLOSED TYPE L LINE--ARC CONTACTOR, FOLIO 3

*SAFETY LIMIT STOPS*

*MISCELLANEOUS*

*INDEX*

NO. 2 SINGLE POLE TYPE L LINE-ARC CONTACTOR, FOLIO 3

| Item | OEM Part  | Description                    | Item | OEM Part | Description          |
|------|-----------|--------------------------------|------|----------|----------------------|
| 1    | LT-2024-A | Assembled Arc Shield, Complete | 72   | L-2016-A | Blowout Connector    |
| 2    | FP-23A36  | Binding Screw                  | 73   | L-2083-A | Magnet Arm, Complete |
| 3    | FP-23A13  | Binding Nut                    | 74   | L-1036   | Tie Bar              |
| 5    | ZO-1150   | Cup Washer                     |      |          |                      |
| 6    | LT-1049   | Arc Shield Hinge               |      |          |                      |
| 7    | LT-1081   | Arc Plate Connector            |      |          |                      |
| 9    | ZO-1121   | Cup Washer                     |      |          |                      |
| 10   | LT-2035   | Arc Shield, Left Hand          |      |          |                      |
| 11   | LT-2036   | Arc Shield, Right Hand         |      |          |                      |
| 12   | LT-2032   | Arc Plate                      |      |          |                      |
| 13   | LT-2656-A | Blowout Coil                   |      |          |                      |
| 14   | LT-2657-A | Blowout Coil                   |      |          |                      |
| 15   | LT-2658-A | Blowout Coil                   |      |          |                      |
| 16   | LT-2265-A | Blowout Guard                  |      |          |                      |
| 17   | LT-1052   | Blowout Ear                    |      |          |                      |
| 18   | LT-2039   | Blowout Core                   |      |          |                      |
| 19   | LT-2074   | Insulator                      |      |          |                      |
| 20   | LT-2064   | Blowout Ear Spacer             |      |          |                      |
| 21   | LT-2072   | Stud                           |      |          |                      |
| 22   | LT-2031   | Contact Tip                    |      |          |                      |
| 24   | L-2015-A  | Core                           |      |          |                      |
| 25   | L-1026    | Core Cap                       |      |          |                      |
| 28   | LT-2028-A | Auxiliary Arm, Complete        |      |          |                      |
| 29   | L-2027    | Contact Spring                 |      |          |                      |
| 30   | L-1021    | Contact Spring Bracket         |      |          |                      |
| 31   | LT-2038   | Auxiliary Arm Pin              |      |          |                      |
| 32   | FP-24B12  | Bearing                        |      |          |                      |
| 33   | LT-1092   | Set Screw                      |      |          |                      |
| 34   | LT-1091   | Spring Washer                  |      |          |                      |
| 35   | LT-2025-A | Connector                      |      |          |                      |
| 36   | L-2013-A  | Magnet Arm, Complete           |      |          |                      |
| 37   | FP-24B13  | Bearing                        |      |          |                      |
| 38   | EL-1-A    | Control Circuit Arm, Complete  |      |          |                      |
| 39   | EL-2-A    | Control Circuit Arm, Complete  |      |          |                      |
| 40   | EL-3      | Control Circuit Arm Only       |      |          |                      |
| 41   | EL-49     | Spring                         |      |          |                      |
| 42   | EL-87     | Spring Retainer                |      |          |                      |
| 43   | EL-84-A   | Contact Bridge                 |      |          |                      |
| 46   | EL-6-A    | Control Circuit Contact        |      |          |                      |
| 48   | EL-23     | Stud                           |      |          |                      |
| 49   | EL-24     | Stud                           |      |          |                      |
| 50   | EL-11     | Stud                           |      |          |                      |
| 51   | EL-12     | Stud                           |      |          |                      |
| 52   | LT-2037   | Pin                            |      |          |                      |
| 54   | LT-2044-A | Main Terminal Stud             |      |          |                      |
| 55   | LT-2045-A | Main Terminal Stud             |      |          |                      |
| 56   | LT-2646-A | Main Terminal Stud             |      |          |                      |
| 57   | LT-2029-A | Magnet Arm Bracket             |      |          |                      |
| 58   | L-2018-A  | Frame                          |      |          |                      |
| 59   | L-2010-A  | Magnet Coil                    |      |          |                      |
| 60   | L-2011-A  | Magnet Coil                    |      |          |                      |
| 63   | LTZ-1809  | Coil Terminal Stud             |      |          |                      |
| 64   | LTZ-1810  | Coil Terminal Stud             |      |          |                      |
| 65   | LTZ-1811  | Coil Terminal Stud             |      |          |                      |
| 68   | LT-1075   | Insulator                      |      |          |                      |
| 70   | LT-2050   | Arc Shield Clip                |      |          |                      |

This document utilizes an interactive table of contents to help you jump from one section to another. Click the button to return to the table of contents.

**RETURN TO  
TABLE OF CONTENTS**

*BRAKES*

*CONTACTORS*

- No. 0 SINGLE POLE TYPE S CONTACTOR, FOLIO 7
- No. 1 SINGLE POLE TYPE L LINE--ARC CONTACTOR, FOLIO 3
- No. 1 SINGLE POLE SPRING CLOSED TYPE L LINE--ARC CONTACTOR, FOLIO 3
- No. 2 SINGLE POLE TYPE L LINE--ARC CONTACTOR, FOLIO 3
- No. 2 SINGLE POLE SPRING CLOSED TYPE L LINE--ARC CONTACTOR, FOLIO 3
- No. 2 DOUBLE POLE TYPE L LINE--ARC CONTACTOR, FOLIO 3
- No. 3 SINGLE POLE TYPE L LINE--ARC CONTACTOR, FOLIO 3
- No. 3 SINGLE POLE SPRING CLOSED TYPE L LINE--ARC CONTACTOR, FOLIO 3
- No. 3 DOUBLE POLE TYPE L LINE--ARC CONTACTOR, FOLIO 3
- No. 4&4A SINGLE POLE TYPE L LINE--ARC CONTACTOR, FOLIO 3
- No. 4&4A SINGLE POLE SPRING CLOSED TYPE L LINE--ARC CONTACTOR, FOLIO 3

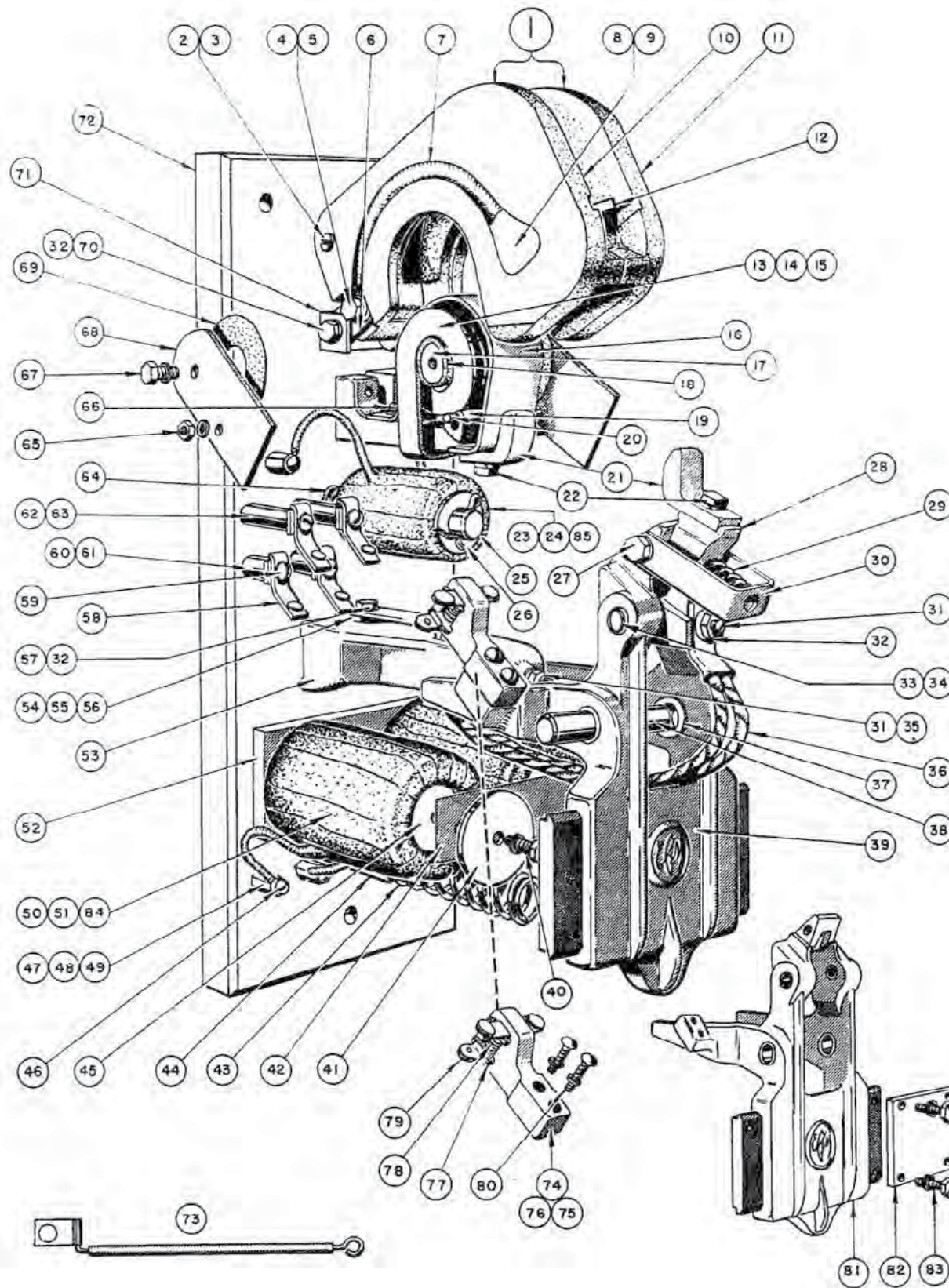
*SAFETY LIMIT STOPS*

*MISCELLANEOUS*

*INDEX*



NO. 2 SINGLE POLE SPRING CLOSED TYPE L LINE-ARC  
CONTACTOR, FOLIO 3



This document utilizes an interactive table of contents to help you jump from one section to another. Click the button to return to the table of contents.

**RETURN TO  
TABLE OF CONTENTS**

*BRAKES*

*CONTACTORS*

- No. 0 SINGLE POLE TYPE S CONTACTOR, FOLIO 7
- No. 1 SINGLE POLE TYPE L LINE--ARC CONTACTOR, FOLIO 3
- No. 1 SINGLE POLE SPRING CLOSED TYPE L LINE--ARC CONTACTOR, FOLIO 3
- No. 2 SINGLE POLE TYPE L LINE--ARC CONTACTOR, FOLIO 3
- No. 2 SINGLE POLE SPRING CLOSED TYPE L LINE--ARC CONTACTOR, FOLIO 3
- No. 2 DOUBLE POLE TYPE L LINE--ARC CONTACTOR, FOLIO 3
- No. 3 SINGLE POLE TYPE L LINE--ARC CONTACTOR, FOLIO 3
- No. 3 SINGLE POLE SPRING CLOSED TYPE L LINE--ARC CONTACTOR, FOLIO 3
- No. 3 DOUBLE POLE TYPE L LINE--ARC CONTACTOR, FOLIO 3
- No. 4&4A SINGLE POLE TYPE L LINE--ARC CONTACTOR, FOLIO 3
- No. 4&4A SINGLE POLE SPRING CLOSED TYPE L LINE--ARC CONTACTOR, FOLIO 3

*SAFETY LIMIT STOPS*

*MISCELLANEOUS*

*INDEX*

This document utilizes an interactive table of contents to help you jump from one section to another. Click the button to return to the table of contents.

**RETURN TO  
TABLE OF CONTENTS**

*BRAKES*

*CONTACTORS*

- No. 0 SINGLE POLE TYPE S CONTACTOR, FOLIO 7
- No. 1 SINGLE POLE TYPE L LINE--ARC CONTACTOR, FOLIO 3
- No. 1 SINGLE POLE SPRING CLOSED TYPE L LINE--ARC CONTACTOR, FOLIO 3
- No. 2 SINGLE POLE TYPE L LINE--ARC CONTACTOR, FOLIO 3
- No. 2 SINGLE POLE SPRING CLOSED TYPE L LINE--ARC CONTACTOR, FOLIO 3
- No. 2 DOUBLE POLE TYPE L LINE--ARC CONTACTOR, FOLIO 3
- No. 3 SINGLE POLE TYPE L LINE--ARC CONTACTOR, FOLIO 3
- No. 3 SINGLE POLE SPRING CLOSED TYPE L LINE--ARC CONTACTOR, FOLIO 3
- No. 3 DOUBLE POLE TYPE L LINE--ARC CONTACTOR, FOLIO 3
- No. 4&4A SINGLE POLE TYPE L LINE--ARC CONTACTOR, FOLIO 3
- No. 4&4A SINGLE POLE SPRING CLOSED TYPE L LINE--ARC CONTACTOR, FOLIO 3

*SAFETY LIMIT STOPS*

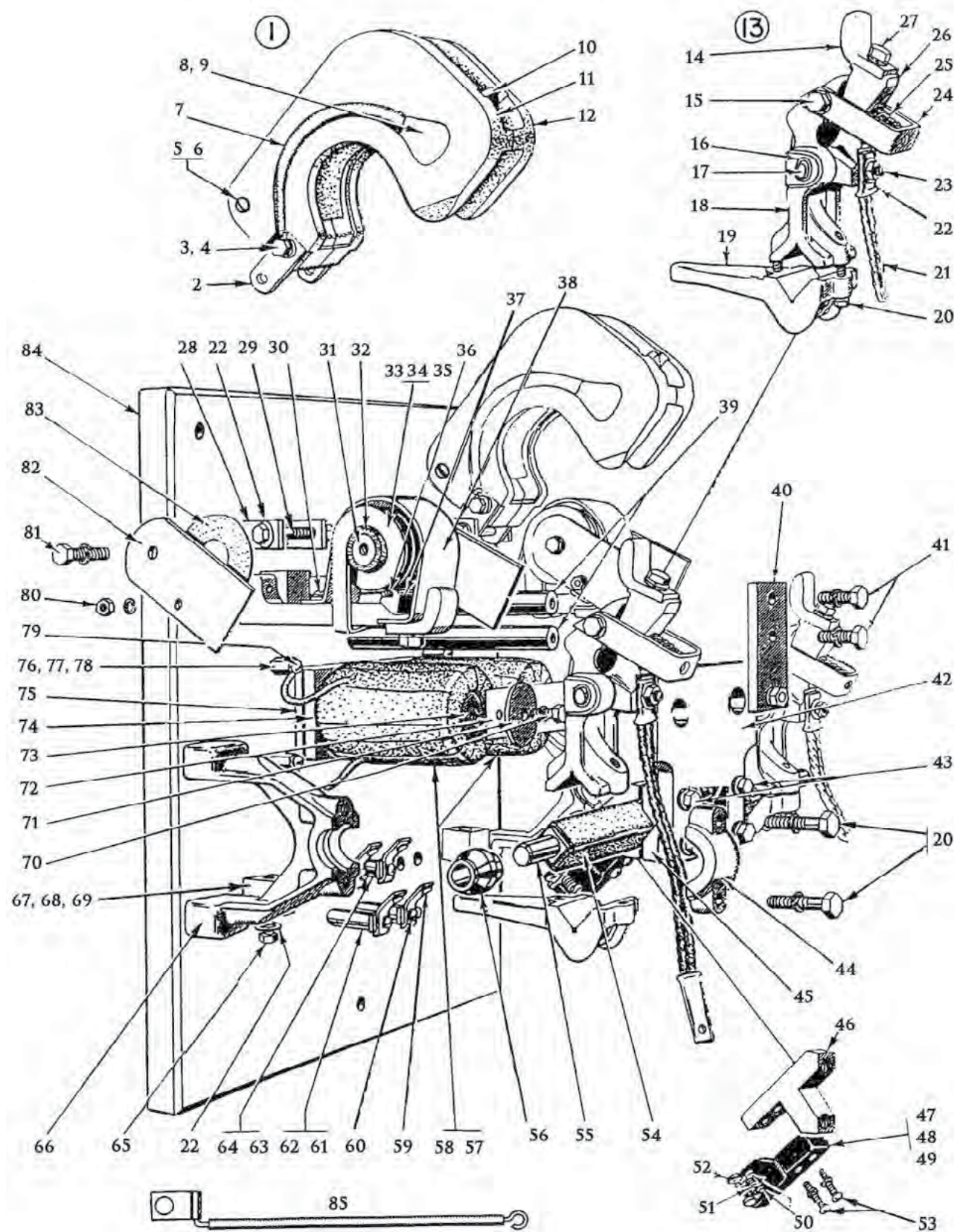
*MISCELLANEOUS*

*INDEX*

| Itm | OEM Part  | Description                    | Itm | OEM Part | Description                   |
|-----|-----------|--------------------------------|-----|----------|-------------------------------|
| 1   | LT-2024-A | Assembled Arc Shield, Complete | 64  | DLM-67   | Spring                        |
| 2   | FP-23A36  | Binding Screw                  | 68  | LT-1052  | Blowout Ear                   |
| 3   | FP-23A13  | Binding Nut                    | 69  | LT-1075  | Insulator                     |
| 5   | ZO-1150   | Cup Washer                     | 71  | LT-2050  | Arc Shield Clip               |
| 6   | LT-1049   | Arc Shield Hinge               | 73  | L-2109-A | Blowout Connector             |
| 7   | LT-1081   | Arc Plate Connector            | 74  | EL-1-A   | Control Circuit Arm, Complete |
| 9   | ZO-1121   | Cup Washer                     | 75  | EL-2-A   | Control Circuit Arm, Complete |
| 10  | LT-2035   | Arc Shield, Left Hand          | 76  | EL-3     | Control Circuit Arm Only      |
| 11  | LT-2036   | Arc Shield, Right Hand         | 77  | EL-87    | Spring Retainer               |
| 12  | LT-2032   | Arc Plate                      | 78  | EL-49    | Spring                        |
| 13  | LT-2656-A | Blowout Coil                   | 79  | EL-84-A  | Contact Bridge                |
| 14  | LT-2657-A | Blowout Coil                   | 81  | L-2190-A | Magnet Arm                    |
| 15  | LT-2658-A | Blowout Coil                   | 82  | L-3036   | Tie Bar                       |
| 16  | LT-2265-A | Blowout Guard                  |     |          |                               |
| 17  | LT-2039   | Blowout Core                   |     |          |                               |
| 18  | LT-2074   | Insulator                      |     |          |                               |
| 19  | LT-2064   | Blowout Ear Spacer             |     |          |                               |
| 20  | LT-2072   | Stud                           |     |          |                               |
| 21  | LT-2031   | Contact Tip                    |     |          |                               |
| 23  | L-1113-A  | Retarding Coil                 |     |          |                               |
| 24  | L-1114-A  | Retarding Coil                 |     |          |                               |
| 25  | L-2108    | Stop Bar, Steel                |     |          |                               |
| 26  | L-1119    | Washer                         |     |          |                               |
| 28  | LT-2028-A | Auxiliary Arm, Complete        |     |          |                               |
| 29  | L-2027    | Contact Spring                 |     |          |                               |
| 30  | L-1021    | Contact Spring Bracket         |     |          |                               |
| 31  | LT-2092   | Set Screw                      |     |          |                               |
| 32  | LT-1091   | Spring Washer                  |     |          |                               |
| 33  | LT-2038   | Auxiliary Arm Pin              |     |          |                               |
| 34  | FP-24B12  | Bearing                        |     |          |                               |
| 35  | LT-1092   | Set Screw                      |     |          |                               |
| 36  | L-2111-A  | Connector                      |     |          |                               |
| 37  | FP-24B13  | Bearing                        |     |          |                               |
| 38  | LT-2037   | Pin                            |     |          |                               |
| 39  | L-2102-A  | Magnet Arm, Complete           |     |          |                               |
| 41  | L-1026    | Core Cap                       |     |          |                               |
| 42  | L-3029    | Non-Magnetic Spacer            |     |          |                               |
| 43  | L-2105    | Operating Spring               |     |          |                               |
| 44  | L-1106    | Operating Spring Holder        |     |          |                               |
| 45  | L-3015-A  | Core                           |     |          |                               |
| 47  | LTZ-1809  | Coil Terminal Stud             |     |          |                               |
| 48  | LTZ-1810  | Coil Terminal Stud             |     |          |                               |
| 49  | LTZ-1811  | Coil Terminal Stud             |     |          |                               |
| 50  | L-2116-A  | Magnet Coil                    |     |          |                               |
| 51  | L-2117-A  | Coil                           |     |          |                               |
| 52  | L-3018-A  | Core Plate                     |     |          |                               |
| 53  | L-2104-A  | Magnet Arm Bracket             |     |          |                               |
| 54  | LT-2044-A | Main Terminal Stud             |     |          |                               |
| 55  | LT-2045-A | Main Terminal Stud             |     |          |                               |
| 56  | LT-2646-A | Main Terminal Stud             |     |          |                               |
| 58  | EL-6-A    | Control Circuit Contact        |     |          |                               |
| 60  | EL-19     | Stud                           |     |          |                               |
| 61  | EL-20     | Stud                           |     |          |                               |
| 62  | EL-29     | Stud                           |     |          |                               |
| 63  | EL-30     | Stud                           |     |          |                               |



NO. 2 DOUBLE POLE TYPE L LINE-ARC  
CONTACTOR, FOLIO 3



This document utilizes an interactive table of contents to help you jump from one section to another. Click the button to return to the table of contents.

**RETURN TO  
TABLE OF CONTENTS**

*BRAKES*

*CONTACTORS*

- No. 0 SINGLE POLE TYPE S CONTACTOR, FOLIO 7
- No. 1 SINGLE POLE TYPE L LINE--ARC CONTACTOR, FOLIO 3
- No. 1 SINGLE POLE SPRING CLOSED TYPE L LINE--ARC CONTACTOR, FOLIO 3
- No. 2 SINGLE POLE TYPE L LINE--ARC CONTACTOR, FOLIO 3
- No. 2 SINGLE POLE SPRING CLOSED TYPE L LINE--ARC CONTACTOR, FOLIO 3
- No. 2 DOUBLE POLE TYPE L LINE--ARC CONTACTOR, FOLIO 3
- No. 3 SINGLE POLE TYPE L LINE--ARC CONTACTOR, FOLIO 3
- No. 3 SINGLE POLE SPRING CLOSED TYPE L LINE--ARC CONTACTOR, FOLIO 3
- No. 3 DOUBLE POLE TYPE L LINE--ARC CONTACTOR, FOLIO 3
- No. 4&4A SINGLE POLE TYPE L LINE--ARC CONTACTOR, FOLIO 3
- No. 4&4A SINGLE POLE SPRING CLOSED TYPE L LINE--ARC CONTACTOR, FOLIO 3

*SAFETY LIMIT STOPS*

*MISCELLANEOUS*

*INDEX*

NO. 2 DOUBLE POLE TYPE L LINE-ARC CONTACTOR, FOLIO 3

This document utilizes an interactive table of contents to help you jump from one section to another. Click the button to return to the table of contents.

**RETURN TO  
TABLE OF CONTENTS**

*BRAKES*

*CONTACTORS*

- No. 0 SINGLE POLE TYPE S CONTACTOR, FOLIO 7
- No. 1 SINGLE POLE TYPE L LINE--ARC CONTACTOR, FOLIO 3
- No. 1 SINGLE POLE SPRING CLOSED TYPE L LINE--ARC CONTACTOR, FOLIO 3
- No. 2 SINGLE POLE TYPE L LINE--ARC CONTACTOR, FOLIO 3
- No. 2 SINGLE POLE SPRING CLOSED TYPE L LINE--ARC CONTACTOR, FOLIO 3
- No. 2 DOUBLE POLE TYPE L LINE--ARC CONTACTOR, FOLIO 3
- No. 3 SINGLE POLE TYPE L LINE--ARC CONTACTOR, FOLIO 3
- No. 3 SINGLE POLE SPRING CLOSED TYPE L LINE--ARC CONTACTOR, FOLIO 3
- No. 3 DOUBLE POLE TYPE L LINE--ARC CONTACTOR, FOLIO 3
- No. 4&4A SINGLE POLE TYPE L LINE--ARC CONTACTOR, FOLIO 3
- No. 4&4A SINGLE POLE SPRING CLOSED TYPE L LINE--ARC CONTACTOR, FOLIO 3

*SAFETY LIMIT STOPS*

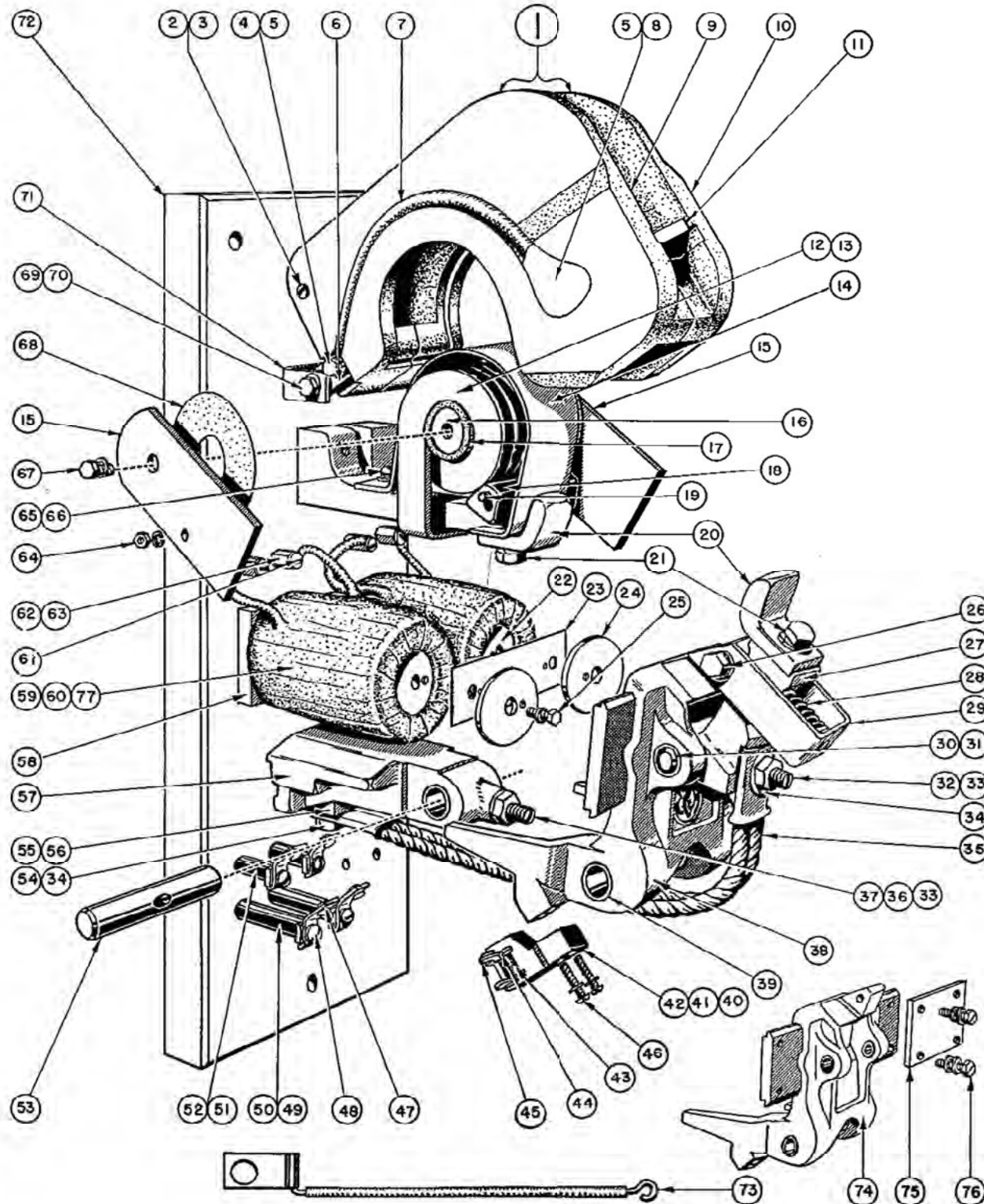
*MISCELLANEOUS*

*INDEX*

| Itm | OEM Part  | Description                     | Itm | OEM Part  | Description         |
|-----|-----------|---------------------------------|-----|-----------|---------------------|
| 1   | LT-2024-A | Assembled Arc Shield, Complete  | 71  | L-1026    | Core Cap            |
| 2   | LT-1049   | Arc Shield Hinge                | 72  | L-3029    | Non-Magnetic Spacer |
| 4   | ZO-1150   | Cup Washer                      | 73  | L-3015-A  | Core                |
| 5   | FP-23A36  | Binding Screw                   | 74  | L-3018-A  | Core Plate          |
| 6   | FP-23A13  | Binding Post                    | 75  | L-2212    | Spacer              |
| 7   | LT-1081   | Arc Plate Connector             | 76  | LTZ-1809  | Coil Terminal Stud  |
| 9   | ZO-1121   | Cup Washer                      | 77  | LTZ-1810  | Coil Terminal Stud  |
| 10  | LT-2032   | Arc Plate                       | 78  | LTZ-1811  | Coil Terminal Stud  |
| 11  | LT-2035   | Arc Shield, Left Hand           | 82  | LT-1052   | Blowout Ear         |
| 12  | LT-2036   | Arc Shield, Right Hand          | 83  | LT-1075   | Insulator           |
| 13  | L-2203-G  | Assembled Contact Arm, Complete | 85  | LT-2128-A | Blowout Connector   |
| 14  | LT-2031   | Contact Tip                     |     |           |                     |
| 16  | FP-24B12  | Bearing                         |     |           |                     |
| 17  | LT-2038   | Auxiliary Arm Pin               |     |           |                     |
| 18  | L-2204-A  | Contact Arm, Complete           |     |           |                     |
| 19  | LT-2123   | Contact Arm Clamp               |     |           |                     |
| 21  | LT-2114-A | Connector                       |     |           |                     |
| 22  | LT-1091   | Spring Washer                   |     |           |                     |
| 23  | LT-1092   | Set Screw                       |     |           |                     |
| 24  | L-1021    | Contact Spring Bracket          |     |           |                     |
| 25  | L-2027    | Contact Spring                  |     |           |                     |
| 26  | LT-2028-A | Auxiliary Arm, Complete         |     |           |                     |
| 28  | LT-2050   | Arc Shield Clip                 |     |           |                     |
| 31  | LT-2039   | Blowout Core                    |     |           |                     |
| 32  | LT-2074   | Insulator                       |     |           |                     |
| 33  | LT-2656-A | Blowout Coil                    |     |           |                     |
| 34  | LT-2657-A | Blowout Coil                    |     |           |                     |
| 35  | LT-2658-A | Blowout Coil                    |     |           |                     |
| 36  | LT-2072   | Stud                            |     |           |                     |
| 37  | LT-2064   | Blowout Ear Spacer              |     |           |                     |
| 38  | LT-2265-A | Blowout Guard                   |     |           |                     |
| 39  | L-2219    | Stop Bar                        |     |           |                     |
| 40  | L-1214-A  | Stop Plate                      |     |           |                     |
| 42  | L-2210    | Armature Plate                  |     |           |                     |
| 44  | LT-1125   | Bearing Bracket Clamp           |     |           |                     |
| 45  | L-1211    | Clamp                           |     |           |                     |
| 46  | L-1206    | Magnet Arm Clamp                |     |           |                     |
| 47  | EL-1-A    | Control Circuit Arm, Complete   |     |           |                     |
| 48  | EL-2-A    | Control Circuit Arm, Complete   |     |           |                     |
| 49  | EL-3      | Control Circuit Arm Only        |     |           |                     |
| 50  | EL-87     | Spring Retainer                 |     |           |                     |
| 51  | EL-49     | Spring                          |     |           |                     |
| 52  | EL-84-A   | Contact Bridge                  |     |           |                     |
| 54  | LT-2615   | Shaft Insulator                 |     |           |                     |
| 55  | L-2208-A  | Shaft                           |     |           |                     |
| 56  | LT-1121   | Bearing                         |     |           |                     |
| 57  | L-2116-A  | Coil                            |     |           |                     |
| 58  | L-2117-A  | Coil                            |     |           |                     |
| 59  | EL-6-A    | Control Circuit Contact         |     |           |                     |
| 61  | EL-21     | Stud                            |     |           |                     |
| 62  | EL-22     | Stud                            |     |           |                     |
| 63  | EL-11     | Stud                            |     |           |                     |
| 64  | EL-12     | Stud                            |     |           |                     |
| 66  | LT-2115   | Bearing Bracket                 |     |           |                     |
| 67  | LT-2044-A | Main Terminal Stud              |     |           |                     |
| 68  | LT-2045-A | Main Terminal Stud              |     |           |                     |
| 69  | LT-2646-A | Main Terminal Stud              |     |           |                     |



NO. 3 SINGLE POLE TYPE L LINE-ARC  
CONTACTOR, FOLIO 3



This document utilizes an interactive table of contents to help you jump from one section to another. Click the button to return to the table of contents.

**RETURN TO  
TABLE OF CONTENTS**

*BRAKES*

*CONTACTORS*

- No. 0 SINGLE POLE TYPE S CONTACTOR, FOLIO 7
- No. 1 SINGLE POLE TYPE L LINE--ARC CONTACTOR, FOLIO 3
- No. 1 SINGLE POLE SPRING CLOSED TYPE L LINE--ARC CONTACTOR, FOLIO 3
- No. 2 SINGLE POLE TYPE L LINE--ARC CONTACTOR, FOLIO 3
- No. 2 SINGLE POLE SPRING CLOSED TYPE L LINE--ARC CONTACTOR, FOLIO 3
- No. 2 DOUBLE POLE TYPE L LINE--ARC CONTACTOR, FOLIO 3
- No. 3 SINGLE POLE TYPE L LINE--ARC CONTACTOR, FOLIO 3
- No. 3 SINGLE POLE SPRING CLOSED TYPE L LINE--ARC CONTACTOR, FOLIO 3
- No. 3 DOUBLE POLE TYPE L LINE--ARC CONTACTOR, FOLIO 3
- No. 4&4A SINGLE POLE TYPE L LINE--ARC CONTACTOR, FOLIO 3
- No. 4&4A SINGLE POLE SPRING CLOSED TYPE L LINE--ARC CONTACTOR, FOLIO 3

*SAFETY LIMIT STOPS*

*MISCELLANEOUS*

*INDEX*

NO. 3 SINGLE POLE TYPE L LINE-ARC CONTACTOR, FOLIO 3

| Item | OEM Part  | Description                    | Item | OEM Part  | Description                |
|------|-----------|--------------------------------|------|-----------|----------------------------|
| 1    | LT-3024-A | Arc Shield, Complete           | 63   | LTZ-1811  | Coil Terminal Stud         |
| 2    | FP-23A36  | Binding Screw                  | 66   | LT-1068   | Washer                     |
| 3    | FP-23A13  | Binding Nut                    | 68   | LT-3075   | Insulator, for Blowout Ear |
| 5    | ZO-1150   | Cup Washer                     | 70   | LT-1091   | Spring Washer              |
| 6    | LT-1049   | Arc Shield Hinge               | 71   | LT-3050   | Arc Shield Clip            |
| 7    | LT-3081   | Arc Plate Connector            | 73   | LT-3090-A | Blowout Connector          |
| 9    | LT-3035   | Arc Shield, Complete           |      |           |                            |
| 10   | LT-3036   | Arc Shield, Complete           |      |           |                            |
| 11   | LT-3032   | Arc Plate                      |      |           |                            |
| 12   | LT-3657-A | Blowout Coil & Contact Bracket |      |           |                            |
| 13   | LT-3658-A | Blowout Coil & Contact Bracket |      |           |                            |
| 14   | LT-3265-A | Blowout Guard                  |      |           |                            |
| 15   | LT-3052   | Blowout Ear                    |      |           |                            |
| 16   | LT-3039   | Blowout Core                   |      |           |                            |
| 17   | LT-3074   | Insulator, for Blowout Core    |      |           |                            |
| 18   | LT-3064   | Blowout Ear Spacer             |      |           |                            |
| 19   | LT-3072   | Stud, for Blowout Ear Spacer   |      |           |                            |
| 20   | LT-3031   | Contact Tip                    |      |           |                            |
| 22   | L-3015-A  | Core                           |      |           |                            |
| 23   | L-3029    | Non-Magnetic Spacer            |      |           |                            |
| 24   | L-1026    | Core Cap                       |      |           |                            |
| 27   | LT-3028-A | Auxiliary Arm                  |      |           |                            |
| 28   | L-3027    | Contact Spring                 |      |           |                            |
| 29   | L-3021    | Spring Bracket                 |      |           |                            |
| 30   | LT-2037   | Pin                            |      |           |                            |
| 31   | FP-24B13  | Bearing                        |      |           |                            |
| 32   | LT-3092   | Set Screw                      |      |           |                            |
| 34   | LT-3091   | Spring Washer                  |      |           |                            |
| 35   | LT-3025-A | Connector                      |      |           |                            |
| 36   | LT-3093   | Set Screw                      |      |           |                            |
| 38   | L-3013-A  | Magnet Arm, Complete           |      |           |                            |
| 39   | FP-24B15  | Bearing                        |      |           |                            |
| 40   | EL-1-A    | Control Circuit Arm, Complete  |      |           |                            |
| 41   | EL-2-A    | Control Circuit Arm, Complete  |      |           |                            |
| 42   | EL-3      | Control Circuit Arm Only       |      |           |                            |
| 43   | EL-49     | Spring                         |      |           |                            |
| 44   | EL-87     | Spring Retainer                |      |           |                            |
| 45   | EL-84-A   | Contact Bridge                 |      |           |                            |
| 47   | EL-6-A    | Control Circuit Contact        |      |           |                            |
| 49   | EL-27     | Stud                           |      |           |                            |
| 50   | EL-28     | Stud                           |      |           |                            |
| 51   | EL-15     | Stud                           |      |           |                            |
| 52   | EL-16     | Stud                           |      |           |                            |
| 53   | LT-3037   | Magnet Arm Pin                 |      |           |                            |
| 55   | LT-3044-A | Main Terminal Stud             |      |           |                            |
| 56   | LT-3045-A | Main Terminal Stud             |      |           |                            |
| 57   | LT-3029-A | Magnet Arm Bracket             |      |           |                            |
| 58   | L-3018-A  | Core Plate                     |      |           |                            |
| 59   | L-2116-A  | Magnet Coil                    |      |           |                            |
| 60   | L-2117-A  | Coil                           |      |           |                            |
| 62   | LTZ-1810  | Coil Terminal Stud             |      |           |                            |

This document utilizes an interactive table of contents to help you jump from one section to another. Click the button to return to the table of contents.

**RETURN TO  
TABLE OF CONTENTS**

**BRAKES**

**CONTACTORS**

- No. 0 SINGLE POLE TYPE S CONTACTOR, FOLIO 7
- No. 1 SINGLE POLE TYPE L LINE--ARC CONTACTOR, FOLIO 3
- No. 1 SINGLE POLE SPRING CLOSED TYPE L LINE--ARC CONTACTOR, FOLIO 3
- No. 2 SINGLE POLE TYPE L LINE--ARC CONTACTOR, FOLIO 3
- No. 2 SINGLE POLE SPRING CLOSED TYPE L LINE--ARC CONTACTOR, FOLIO 3
- No. 2 DOUBLE POLE TYPE L LINE--ARC CONTACTOR, FOLIO 3
- No. 3 SINGLE POLE TYPE L LINE--ARC CONTACTOR, FOLIO 3
- No. 3 SINGLE POLE SPRING CLOSED TYPE L LINE--ARC CONTACTOR, FOLIO 3
- No. 3 DOUBLE POLE TYPE L LINE--ARC CONTACTOR, FOLIO 3
- No. 4&4A SINGLE POLE TYPE L LINE--ARC CONTACTOR, FOLIO 3
- No. 4&4A SINGLE POLE SPRING CLOSED TYPE L LINE--ARC CONTACTOR, FOLIO 3

**SAFETY LIMIT STOPS**

**MISCELLANEOUS**

**INDEX**

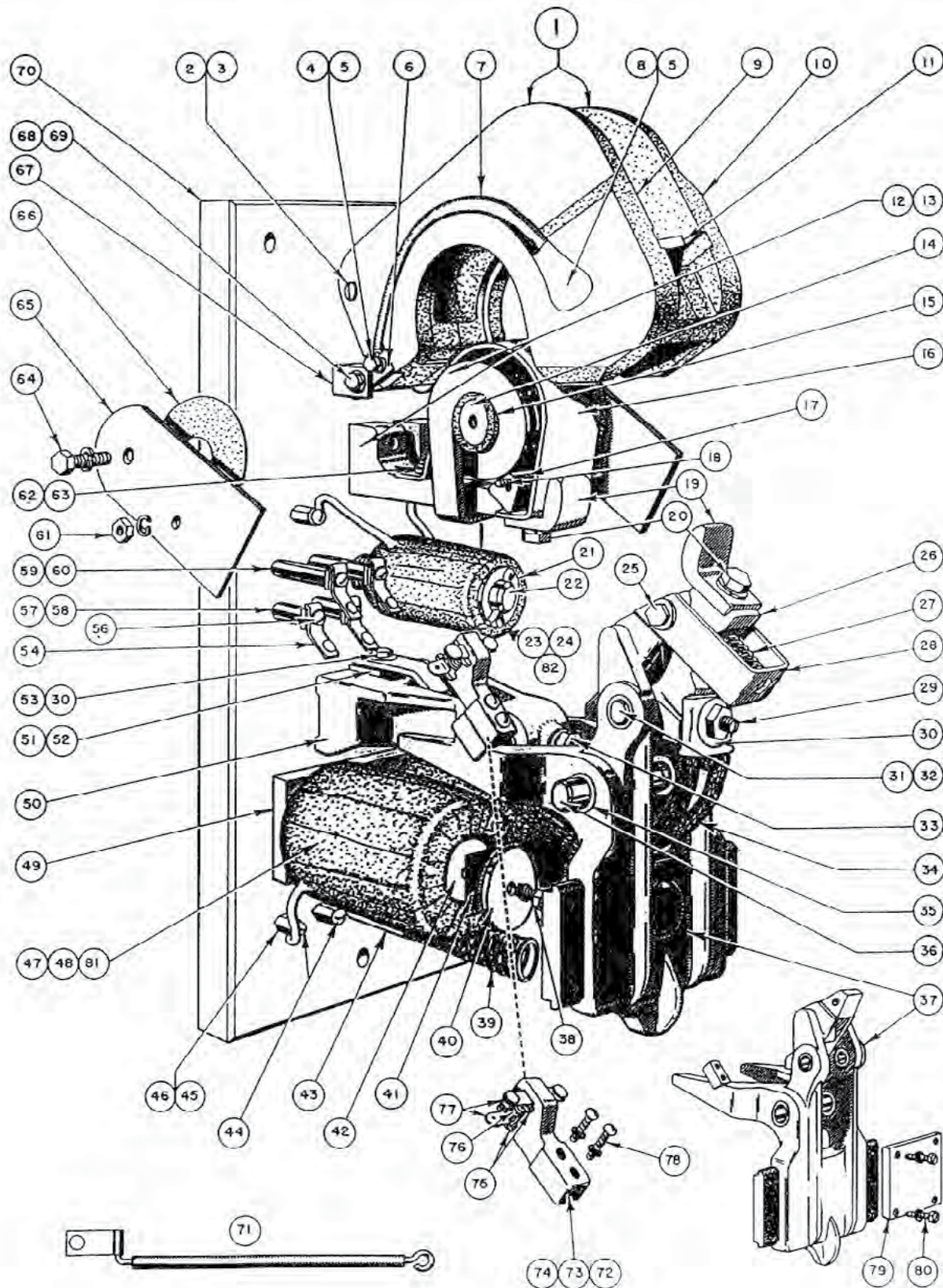


**O.C.C.**

Replacement Parts For

**SQUARE-D**

**NO. 3 SINGLE POLE SPRING CLOSED TYPE L LINE-ARC CONTACTOR, FOLIO 3**



This document utilizes an interactive table of contents to help you jump from one section to another. Click the button to return to the table of contents.

**RETURN TO  
TABLE OF CONTENTS**

**BRAKES**

**CONTACTORS**

- No. 0 SINGLE POLE TYPE S CONTACTOR, FOLIO 7
- No. 1 SINGLE POLE TYPE L LINE--ARC CONTACTOR, FOLIO 3
- No. 1 SINGLE POLE SPRING CLOSED TYPE L LINE--ARC CONTACTOR, FOLIO 3
- No. 2 SINGLE POLE TYPE L LINE--ARC CONTACTOR, FOLIO 3
- No. 2 SINGLE POLE SPRING CLOSED TYPE L LINE--ARC CONTACTOR, FOLIO 3
- No. 2 DOUBLE POLE TYPE L LINE--ARC CONTACTOR, FOLIO 3
- No. 3 SINGLE POLE TYPE L LINE--ARC CONTACTOR, FOLIO 3
- No. 3 SINGLE POLE SPRING CLOSED TYPE L LINE--ARC CONTACTOR, FOLIO 3
- No. 3 DOUBLE POLE TYPE L LINE--ARC CONTACTOR, FOLIO 3
- No. 4&4A SINGLE POLE TYPE L LINE--ARC CONTACTOR, FOLIO 3
- No. 4&4A SINGLE POLE SPRING CLOSED TYPE L LINE--ARC CONTACTOR, FOLIO 3

**SAFETY LIMIT STOPS**

**MISCELLANEOUS**

**INDEX**

This document utilizes an interactive table of contents to help you jump from one section to another. Click the button to return to the table of contents.

**RETURN TO  
TABLE OF CONTENTS**

*BRAKES*

*CONTACTORS*

- No. 0 SINGLE POLE TYPE S CONTACTOR, FOLIO 7
- No. 1 SINGLE POLE TYPE L LINE--ARC CONTACTOR, FOLIO 3
- No. 1 SINGLE POLE SPRING CLOSED TYPE L LINE--ARC CONTACTOR, FOLIO 3
- No. 2 SINGLE POLE TYPE L LINE--ARC CONTACTOR, FOLIO 3
- No. 2 SINGLE POLE SPRING CLOSED TYPE L LINE--ARC CONTACTOR, FOLIO 3
- No. 2 DOUBLE POLE TYPE L LINE--ARC CONTACTOR, FOLIO 3
- No. 3 SINGLE POLE TYPE L LINE--ARC CONTACTOR, FOLIO 3
- No. 3 SINGLE POLE SPRING CLOSED TYPE L LINE--ARC CONTACTOR, FOLIO 3
- No. 3 DOUBLE POLE TYPE L LINE--ARC CONTACTOR, FOLIO 3
- No. 4&4A SINGLE POLE TYPE L LINE--ARC CONTACTOR, FOLIO 3
- No. 4&4A SINGLE POLE SPRING CLOSED TYPE L LINE--ARC CONTACTOR, FOLIO 3

*SAFETY LIMIT STOPS*

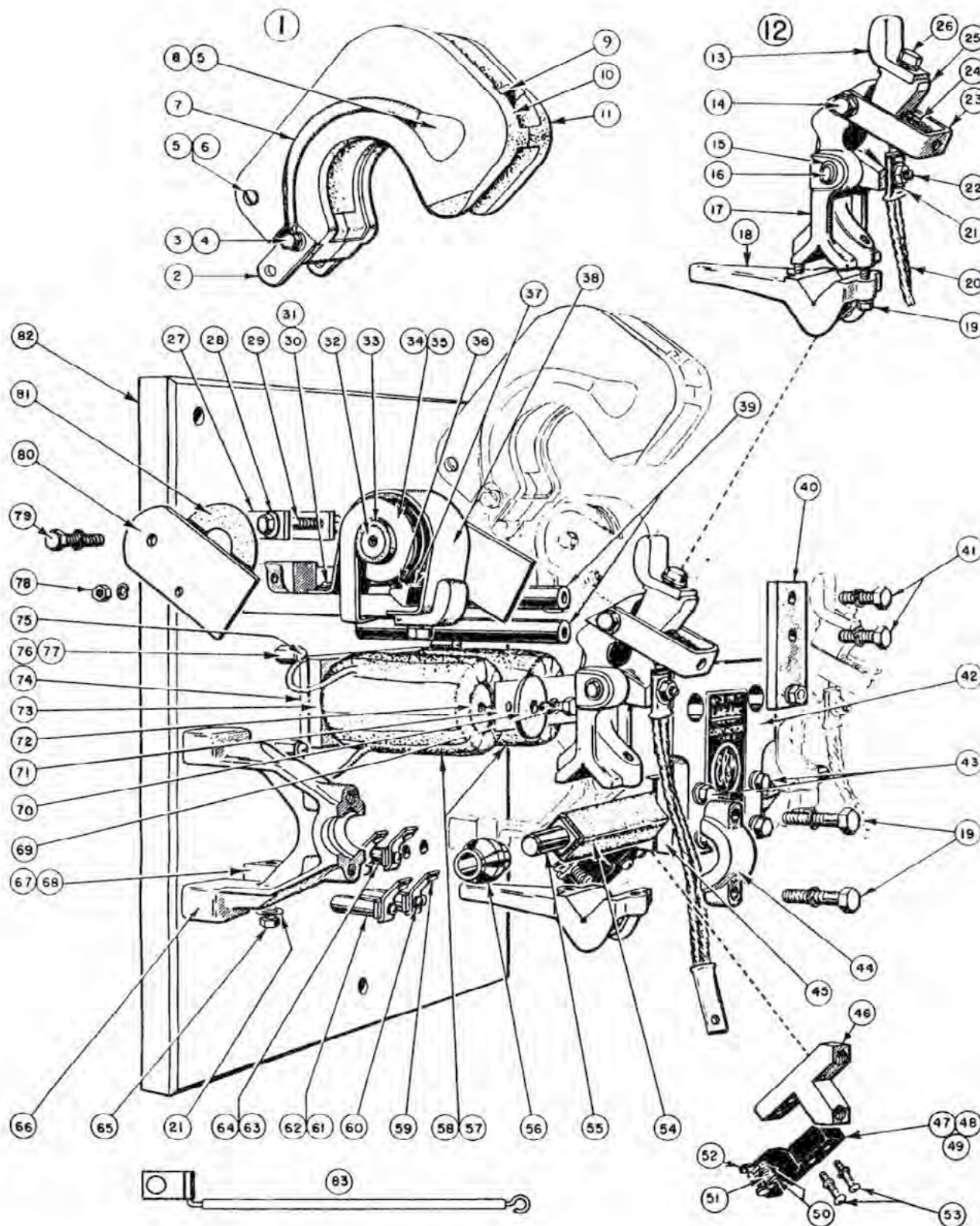
*MISCELLANEOUS*

*INDEX*

| Itm | OEM Part  | Description                    | Itm | OEM Part | Description                   |
|-----|-----------|--------------------------------|-----|----------|-------------------------------|
| 1   | LT-3024-A | Arc Shield, Complete           | 69  | LT-1091  | Spring Washer                 |
| 2   | FP-23A36  | Binding Screw                  | 71  | L-3109-A | Blowout Connector             |
| 3   | FP-23A13  | Binding Nut                    | 72  | EL-1-A   | Control Circuit Arm, Complete |
| 5   | ZO-1150   | Cup Washer                     | 73  | EL-2-A   | Control Circuit Arm, Complete |
| 6   | LT-1049   | Arc Shield Hinge               | 74  | EL-3     | Control Circuit Arm Only      |
| 7   | LT-3081   | Arc Plate Connector            | 75  | EL-87    | Spring Retainer               |
| 9   | LT-3035   | Arc Shield, Complete           | 76  | EL-49    | Spring                        |
| 10  | LT-3036   | Arc Shield, Complete           | 77  | EL-84-A  | Contact Bridge                |
| 11  | LT-3032   | Arc Plate                      |     |          |                               |
| 12  | LT-3657-A | Blowout Coil & Contact Bracket |     |          |                               |
| 13  | LT-3658-A | Blowout Coil & Contact Bracket |     |          |                               |
| 14  | LT-3039   | Blowout Core                   |     |          |                               |
| 15  | LT-3074   | Insulator, for Blowout Core    |     |          |                               |
| 16  | LT-3265-A | Blowout Guard                  |     |          |                               |
| 17  | LT-3064   | Blowout Ear Spacer             |     |          |                               |
| 18  | LT-3072   | Stud, for Blowout Ear Spacer   |     |          |                               |
| 19  | LT-3031   | Contact Tip                    |     |          |                               |
| 21  | L-3119    | Washer, For Retarding Coil     |     |          |                               |
| 22  | L-3108    | Stop Bar                       |     |          |                               |
| 23  | L-3113-A  | Retarding Coil                 |     |          |                               |
| 24  | L-3114-A  | Retarding Coil                 |     |          |                               |
| 26  | LT-3028-A | Auxiliary Arm                  |     |          |                               |
| 27  | L-3027    | Contact Spring                 |     |          |                               |
| 28  | L-3021    | Spring Bracket                 |     |          |                               |
| 29  | LT-3092   | Set Screw                      |     |          |                               |
| 30  | LT-3091   | Spring Washer                  |     |          |                               |
| 31  | FP-24B13  | Bearing                        |     |          |                               |
| 32  | LT-2037   | Pin                            |     |          |                               |
| 33  | LT-3093   | Set Screw                      |     |          |                               |
| 34  | L-3111-A  | Connector                      |     |          |                               |
| 35  | FP-24B15  | Bearing                        |     |          |                               |
| 36  | LT-3037   | Magnet Arm Pin                 |     |          |                               |
| 37  | L-3102-A  | Magnet Arm, Complete           |     |          |                               |
| 39  | L-3105    | Spring                         |     |          |                               |
| 40  | LT-4067   | Core Cap                       |     |          |                               |
| 41  | LT-4752   | Non-Magnetic Spacer            |     |          |                               |
| 42  | L-4015-A  | Core                           |     |          |                               |
| 43  | L-3106    | Operating Spring Holder        |     |          |                               |
| 45  | LTZ-1810  | Coil Terminal Stud             |     |          |                               |
| 46  | LTZ-1811  | Coil Terminal Stud             |     |          |                               |
| 47  | LT-4704-A | Magnet Coil                    |     |          |                               |
| 48  | LT-4705-A | Magnet Coil                    |     |          |                               |
| 49  | LT-4729-A | Coil Frame                     |     |          |                               |
| 50  | L-3104-A  | Magnet Arm Bracket             |     |          |                               |
| 51  | LT-3044-A | Main Terminal Stud             |     |          |                               |
| 52  | LT-3045-A | Main Terminal Stud             |     |          |                               |
| 54  | EL-6-A    | Control Circuit Contact        |     |          |                               |
| 56  | EL-19     | Stud                           |     |          |                               |
| 57  | EL-20     | Stud                           |     |          |                               |
| 58  | EL-31     | Stud                           |     |          |                               |
| 59  | EL-32     | Stud                           |     |          |                               |
| 60  | L-3120    | Spring                         |     |          |                               |
| 63  | LT-1068   | Washer                         |     |          |                               |
| 65  | LT-3052   | Blowout Ear                    |     |          |                               |
| 66  | LT-3075   | Insulator, for Blowout Ear     |     |          |                               |
| 67  | LT-3050   | Arc Shield Clip                |     |          |                               |



NO. 3 DOUBLE POLE TYPE L LINE-ARC  
CONTACTOR, FOLIO 3



This document utilizes an interactive table of contents to help you jump from one section to another. Click the button to return to the table of contents.

**RETURN TO  
TABLE OF CONTENTS**

*BRAKES*

*CONTACTORS*

- No. 0 SINGLE POLE TYPE S CONTACTOR, FOLIO 7
- No. 1 SINGLE POLE TYPE L LINE--ARC CONTACTOR, FOLIO 3
- No. 1 SINGLE POLE SPRING CLOSED TYPE L LINE--ARC CONTACTOR, FOLIO 3
- No. 2 SINGLE POLE TYPE L LINE--ARC CONTACTOR, FOLIO 3
- No. 2 SINGLE POLE SPRING CLOSED TYPE L LINE--ARC CONTACTOR, FOLIO 3
- No. 2 DOUBLE POLE TYPE L LINE--ARC CONTACTOR, FOLIO 3
- No. 3 SINGLE POLE TYPE L LINE--ARC CONTACTOR, FOLIO 3
- No. 3 SINGLE POLE SPRING CLOSED TYPE L LINE--ARC CONTACTOR, FOLIO 3
- No. 3 DOUBLE POLE TYPE L LINE--ARC CONTACTOR, FOLIO 3
- No. 4&4A SINGLE POLE TYPE L LINE--ARC CONTACTOR, FOLIO 3
- No. 4&4A SINGLE POLE SPRING CLOSED TYPE L LINE--ARC CONTACTOR, FOLIO 3

*SAFETY LIMIT STOPS*

*MISCELLANEOUS*

*INDEX*

NO. 3 DOUBLE POLE TYPE L LINE-ARC CONTACTOR, FOLIO 3

| Item | OEM Part  | Description                    | Item | OEM Part  | Description                |
|------|-----------|--------------------------------|------|-----------|----------------------------|
| 1    | LT-3024-A | Arc Shield, Complete           | 71   | LT-4752   | Non-Magnetic Spacer        |
| 2    | LT-1049   | Arc Shield Hinge               | 72   | L-4015-A  | Core                       |
| 4    | ZO-1150   | Cup Washer                     | 73   | LT-4729-A | Coil Frame                 |
| 5    | FP-23A36  | Binding Screw                  | 74   | L-3212    | Spacer                     |
| 7    | LT-3081   | Arc Plate Connector            | 76   | LTZ-1810  | Coil Terminal Stud         |
| 9    | LT-3032   | Arc Plate                      | 77   | LTZ-1811  | Coil Terminal Stud         |
| 10   | LT-3035   | Arc Shield, Complete           | 80   | LT-3052   | Blowout Ear                |
| 11   | LT-3036   | Arc Shield, Complete           | 81   | LT-3075   | Insulator, for Blowout Ear |
| 12   | L-3203-G  | Connecting Arm                 | 83   | LT-3128-A | Blowout Connector          |
| 13   | LT-3031   | Contact Tip                    |      |           |                            |
| 15   | FP-24B13  | Bearing                        |      |           |                            |
| 16   | LT-2037   | Pin                            |      |           |                            |
| 17   | L-3204-A  | Contact Arm, Complete          |      |           |                            |
| 18   | LT-3123   | Contact Arm Clamp              |      |           |                            |
| 20   | LT-3114-A | Connector                      |      |           |                            |
| 21   | LT-3091   | Spring Washer                  |      |           |                            |
| 22   | LT-3092   | Set Screw                      |      |           |                            |
| 23   | L-3021    | Spring Bracket                 |      |           |                            |
| 24   | L-3027    | Contact Spring                 |      |           |                            |
| 25   | LT-3028-A | Auxiliary Arm                  |      |           |                            |
| 27   | LT-3050   | Arc Shield Clip                |      |           |                            |
| 28   | LT-1091   | Spring Washer                  |      |           |                            |
| 31   | LT-1068   | Washer                         |      |           |                            |
| 32   | LT-3039   | Blowout Core                   |      |           |                            |
| 33   | LT-3074   | Insulator, for Blowout Core    |      |           |                            |
| 34   | LT-3657-A | Blowout Coil & Contact Bracket |      |           |                            |
| 35   | LT-3658-A | Blowout Coil & Contact Bracket |      |           |                            |
| 36   | LT-3072   | Stud, for Blowout Ear Spacer   |      |           |                            |
| 37   | LT-3064   | Blowout Ear Spacer             |      |           |                            |
| 38   | LT-3265-A | Blowout Guard                  |      |           |                            |
| 39   | L-3219    | Stop Bar                       |      |           |                            |
| 40   | L-1214-A  | Stop Plate                     |      |           |                            |
| 42   | L-3210    | Armature Plate                 |      |           |                            |
| 44   | LT-3125   | Bearing Bracket Clamp          |      |           |                            |
| 45   | L-3211    | Clamp                          |      |           |                            |
| 46   | L-3206    | Magnet Arm Clamp               |      |           |                            |
| 47   | EL-1-A    | Control Circuit Arm, Complete  |      |           |                            |
| 48   | EL-2-A    | Control Circuit Arm, Complete  |      |           |                            |
| 49   | EL-3      | Control Circuit Arm Only       |      |           |                            |
| 50   | EL-87     | Spring Retainer                |      |           |                            |
| 51   | EL-49     | Spring                         |      |           |                            |
| 52   | EL-84-A   | Contact Bridge                 |      |           |                            |
| 54   | LTZ-3775  | Insulator, For Shaft           |      |           |                            |
| 55   | L-3208-A  | Shaft, Complete                |      |           |                            |
| 56   | LT-3121   | Oilite Bearing                 |      |           |                            |
| 57   | LT-4704-A | Magnet Coil                    |      |           |                            |
| 58   | LT-4705-A | Magnet Coil                    |      |           |                            |
| 59   | EL-6-A    | Control Circuit Contact        |      |           |                            |
| 61   | EL-29     | Stud                           |      |           |                            |
| 62   | EL-30     | Stud                           |      |           |                            |
| 63   | EL-17     | Stud                           |      |           |                            |
| 64   | EL-18     | Stud                           |      |           |                            |
| 66   | LT-3115   | Bearing Bracket                |      |           |                            |
| 67   | LT-3044-A | Main Terminal Stud             |      |           |                            |
| 68   | LT-3045-A | Main Terminal Stud             |      |           |                            |
| 70   | LT-4067   | Core Cap                       |      |           |                            |

This document utilizes an interactive table of contents to help you jump from one section to another. Click the button to return to the table of contents.

**RETURN TO  
TABLE OF CONTENTS**

*BRAKES*

*CONTACTORS*

- No. 0 SINGLE POLE TYPE S CONTACTOR, FOLIO 7
- No. 1 SINGLE POLE TYPE L LINE--ARC CONTACTOR, FOLIO 3
- No. 1 SINGLE POLE SPRING CLOSED TYPE L LINE--ARC CONTACTOR, FOLIO 3
- No. 2 SINGLE POLE TYPE L LINE--ARC CONTACTOR, FOLIO 3
- No. 2 SINGLE POLE SPRING CLOSED TYPE L LINE--ARC CONTACTOR, FOLIO 3
- No. 2 DOUBLE POLE TYPE L LINE--ARC CONTACTOR, FOLIO 3
- No. 3 SINGLE POLE TYPE L LINE--ARC CONTACTOR, FOLIO 3
- No. 3 SINGLE POLE SPRING CLOSED TYPE L LINE--ARC CONTACTOR, FOLIO 3
- No. 3 DOUBLE POLE TYPE L LINE--ARC CONTACTOR, FOLIO 3
- No. 4&4A SINGLE POLE TYPE L LINE--ARC CONTACTOR, FOLIO 3
- No. 4&4A SINGLE POLE SPRING CLOSED TYPE L LINE--ARC CONTACTOR, FOLIO 3

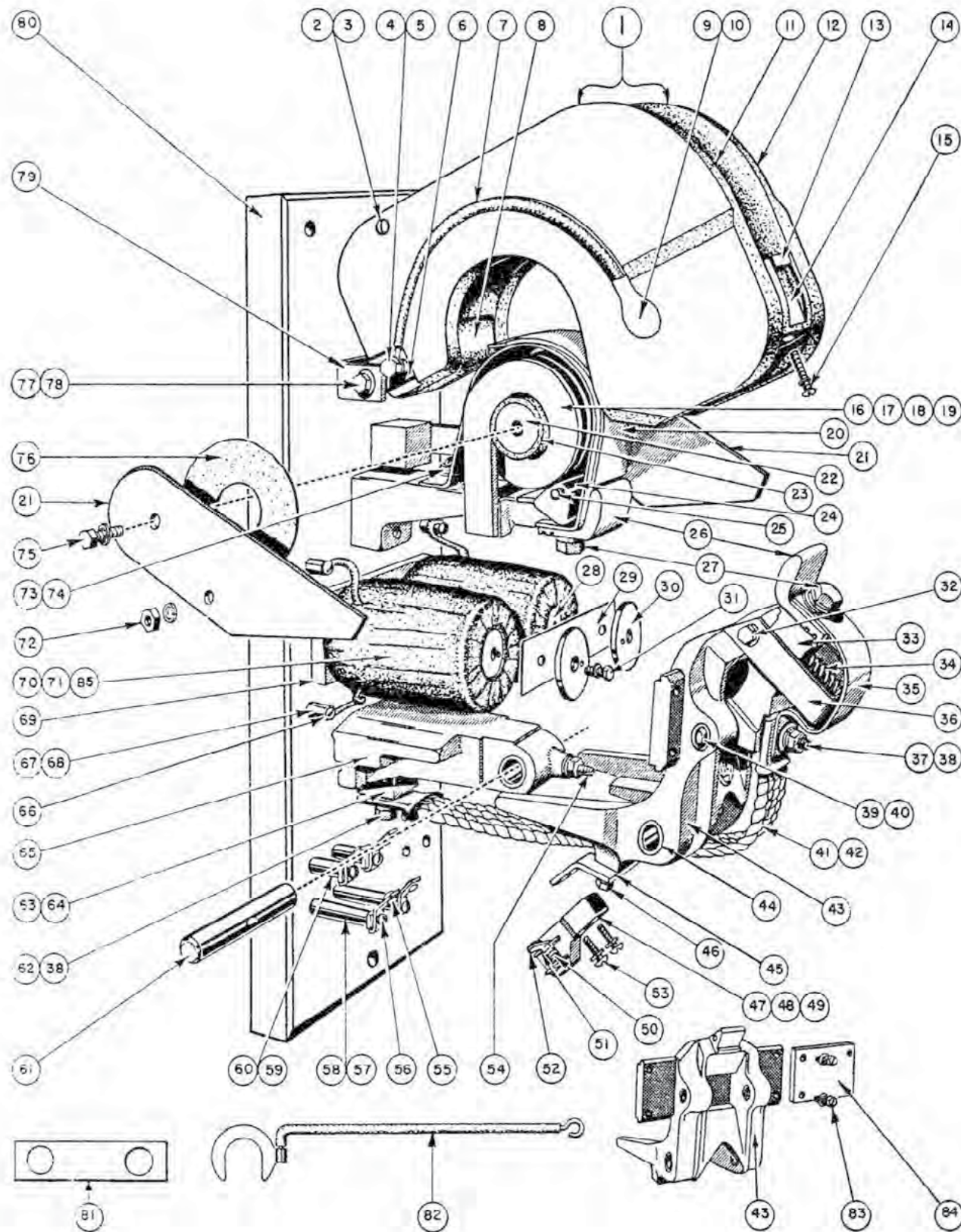
*SAFETY LIMIT STOPS*

*MISCELLANEOUS*

*INDEX*



**NO. 4 & 4A SINGLE POLE TYPE L LINE-ARC CONTACTOR, FOLIO 3**



This document utilizes an interactive table of contents to help you jump from one section to another. Click the button to return to the table of contents.

**RETURN TO  
TABLE OF CONTENTS**

*BRAKES*

*CONTACTORS*

- No. 0 SINGLE POLE TYPE S CONTACTOR, FOLIO 7
- No. 1 SINGLE POLE TYPE L LINE--ARC CONTACTOR, FOLIO 3
- No. 1 SINGLE POLE SPRING CLOSED TYPE L LINE--ARC CONTACTOR, FOLIO 3
- No. 2 SINGLE POLE TYPE L LINE--ARC CONTACTOR, FOLIO 3
- No. 2 SINGLE POLE SPRING CLOSED TYPE L LINE--ARC CONTACTOR, FOLIO 3
- No. 2 DOUBLE POLE TYPE L LINE--ARC CONTACTOR, FOLIO 3
- No. 3 SINGLE POLE TYPE L LINE--ARC CONTACTOR, FOLIO 3
- No. 3 SINGLE POLE SPRING CLOSED TYPE L LINE--ARC CONTACTOR, FOLIO 3
- No. 3 DOUBLE POLE TYPE L LINE--ARC CONTACTOR, FOLIO 3
- No. 4&4A SINGLE POLE TYPE L LINE--ARC CONTACTOR, FOLIO 3
- No. 4&4A SINGLE POLE SPRING CLOSED TYPE L LINE--ARC CONTACTOR, FOLIO 3

*SAFETY LIMIT STOPS*

*MISCELLANEOUS*

*INDEX*

## NO. 4 &amp; 4A SINGLE POLE TYPE L LINE-ARC CONTACTOR, FOLIO 3

| Item | OEM Part  | Description                   | Item | OEM Part  | Description          |
|------|-----------|-------------------------------|------|-----------|----------------------|
| 1    | LT-4708-A | Arc Shield                    | 67   | LTZ-1810  | Coil Terminal Stud   |
| 2    | FP-23A36  | Binding Screw                 | 68   | LTZ-1811  | Coil Terminal Stud   |
| 3    | FP-23A14  | Binding Post                  | 69   | LT-4729-A | Coil Frame           |
| 6    | LT-4734   | Arc Shield Hinge              | 70   | LT-4704-A | Magnet Coil          |
| 7    | LT-4778-A | Connector Arc Plate           | 71   | LT-4705-A | Magnet Coil          |
| 8    | LT-4745   | Arc Shield Spacer             | 74   | LT-1068   | Washer               |
| 10   | ZO-1150   | Cup Washer                    | 76   | LT-4750   | Insl. For B/O Ear    |
| 11   | LT-4741   | Arc Shield, L.H.              | 78   | LT-2091   | Spring Washer, Large |
| 12   | LT-4742   | Arc Shield, R.H.              | 79   | LT-4733   | Arc Shield Clip      |
| 13   | LT-4720-A | Arc Plate                     | 81   | LT-4754   | Connector            |
| 14   | LT-4744   | Blocks                        | 82   | LT-4740-A | B/O Connector        |
| 16   | LT-4709-A | B/O Coil & Contact Bracket    | 84   | L-3148    | Tie Bar              |
| 17   | LT-4710-A | B/O Coil                      |      |           |                      |
| 18   | LT-4711-A | B/O Coil                      |      |           |                      |
| 19   | LT-4712-A | B/O Coil                      |      |           |                      |
| 20   | LT-4732-A | B/O Guard                     |      |           |                      |
| 21   | LT-4738   | B/O Ear                       |      |           |                      |
| 22   | LT-4757   | B/O Core                      |      |           |                      |
| 23   | LT-4749   | Insl. For B/O Core            |      |           |                      |
| 24   | LT-4743   | B/O Ear Spacer                |      |           |                      |
| 25   | LT-4748   | Stud                          |      |           |                      |
| 26   | LT-4718   | Contact Tip                   |      |           |                      |
| 28   | L-4015-A  | Core                          |      |           |                      |
| 29   | LT-4752   | Non-Magnetic Spacer           |      |           |                      |
| 30   | LT-4067   | Core Cap                      |      |           |                      |
| 33   | LT-4716-A | Aux Arm                       |      |           |                      |
| 34   | LT-4755   | Contact Spring                |      |           |                      |
| 35   | LT-4727   | Aux Arm Guard                 |      |           |                      |
| 36   | LT-4737   | Spring Bracket                |      |           |                      |
| 37   | LT-3092   | Set Screw                     |      |           |                      |
| 39   | LT-4777   | Aux Arm Pin                   |      |           |                      |
| 40   | FP-24B14  | Oilite Bearing                |      |           |                      |
| 41   | LT-4714-A | Assem Connector               |      |           |                      |
| 42   | LT-4784-A | Assembled Connector           |      |           |                      |
| 43   | LT-4713-A | Mag Arm                       |      |           |                      |
| 44   | FP-24B16  | Bearing                       |      |           |                      |
| 45   | L-4020    | Control Contact Bracket       |      |           |                      |
| 47   | EL-1-A    | Control Circuit Arm, Complete |      |           |                      |
| 48   | EL-2-A    | Control Circuit Arm, Complete |      |           |                      |
| 49   | EL-3      | Control Circuit Arm Only      |      |           |                      |
| 50   | EL-49     | Spring                        |      |           |                      |
| 51   | EL-87     | Spring Retainer               |      |           |                      |
| 52   | EL-84-A   | Contact Bridge                |      |           |                      |
| 54   | LT-3093   | Set Screw                     |      |           |                      |
| 55   | EL-6-A    | Control Circuit Contact       |      |           |                      |
| 57   | EL-31     | Stud                          |      |           |                      |
| 58   | EL-32     | Stud                          |      |           |                      |
| 59   | EL-17     | Stud                          |      |           |                      |
| 60   | EL-18     | Stud                          |      |           |                      |
| 61   | LT-4037   | Mag Arm Pin                   |      |           |                      |
| 63   | LT-4044-A | Main Term Stud                |      |           |                      |
| 64   | LT-4045-A | Main Terminal Stud            |      |           |                      |
| 65   | LT-4029-A | Mag Arm Bracket               |      |           |                      |

This document utilizes an interactive table of contents to help you jump from one section to another. Click the button to return to the table of contents.

**RETURN TO  
TABLE OF CONTENTS**

**BRAKES****CONTACTORS**

- No. 0 SINGLE POLE TYPE S CONTACTOR, FOLIO 7
- No. 1 SINGLE POLE TYPE L LINE--ARC CONTACTOR, FOLIO 3
- No. 1 SINGLE POLE SPRING CLOSED TYPE L LINE--ARC CONTACTOR, FOLIO 3
- No. 2 SINGLE POLE TYPE L LINE--ARC CONTACTOR, FOLIO 3
- No. 2 SINGLE POLE SPRING CLOSED TYPE L LINE--ARC CONTACTOR, FOLIO 3
- No. 2 DOUBLE POLE TYPE L LINE--ARC CONTACTOR, FOLIO 3
- No. 3 SINGLE POLE TYPE L LINE--ARC CONTACTOR, FOLIO 3
- No. 3 SINGLE POLE SPRING CLOSED TYPE L LINE--ARC CONTACTOR, FOLIO 3
- No. 3 DOUBLE POLE TYPE L LINE--ARC CONTACTOR, FOLIO 3
- No. 4&4A SINGLE POLE TYPE L LINE--ARC CONTACTOR, FOLIO 3
- No. 4&4A SINGLE POLE SPRING CLOSED TYPE L LINE--ARC CONTACTOR, FOLIO 3

**SAFETY LIMIT STOPS****MISCELLANEOUS****INDEX**

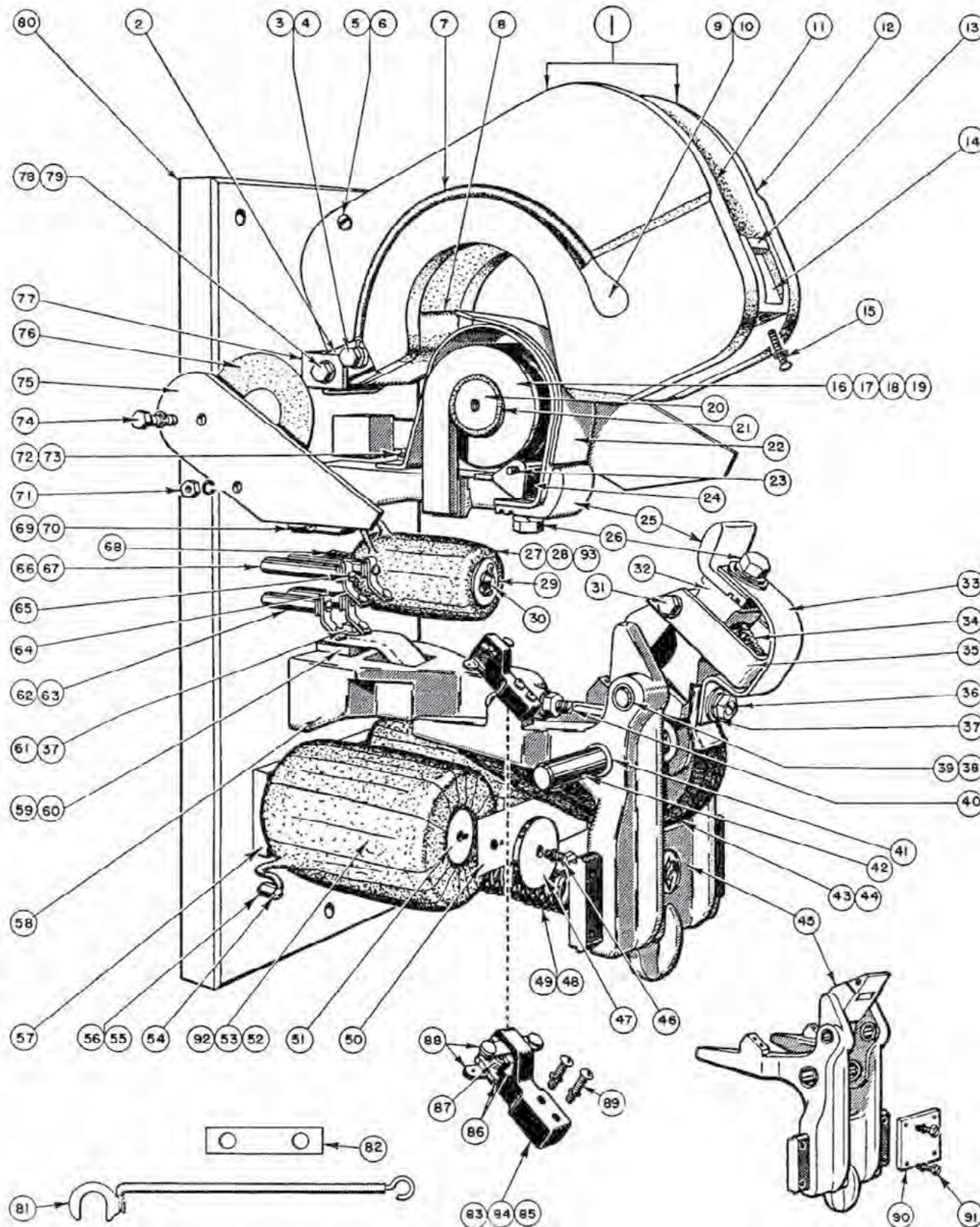


O.C.C.

Replacement Parts For

SQUARE-D

NO. 4 & 4A SINGLE POLE SPRING CLOSED TYPE L  
LINE-ARC CONTACTOR, FOLIO 3



This document utilizes an interactive table of contents to help you jump from one section to another. Click the button to return to the table of contents.

**RETURN TO  
TABLE OF CONTENTS**

*BRAKES*

*CONTACTORS*

- No. 0 SINGLE POLE TYPE S CONTACTOR, FOLIO 7
- No. 1 SINGLE POLE TYPE L LINE--ARC CONTACTOR, FOLIO 3
- No. 1 SINGLE POLE SPRING CLOSED TYPE L LINE--ARC CONTACTOR, FOLIO 3
- No. 2 SINGLE POLE TYPE L LINE--ARC CONTACTOR, FOLIO 3
- No. 2 SINGLE POLE SPRING CLOSED TYPE L LINE--ARC CONTACTOR, FOLIO 3
- No. 2 DOUBLE POLE TYPE L LINE--ARC CONTACTOR, FOLIO 3
- No. 3 SINGLE POLE TYPE L LINE--ARC CONTACTOR, FOLIO 3
- No. 3 SINGLE POLE SPRING CLOSED TYPE L LINE--ARC CONTACTOR, FOLIO 3
- No. 3 DOUBLE POLE TYPE L LINE--ARC CONTACTOR, FOLIO 3
- No. 4&4A SINGLE POLE TYPE L LINE--ARC CONTACTOR, FOLIO 3
- No. 4&4A SINGLE POLE SPRING CLOSED TYPE L LINE--ARC CONTACTOR, FOLIO 3

*SAFETY LIMIT STOPS*

*MISCELLANEOUS*

*INDEX*

# O.C.C.

## Replacement Parts For

# SQUARE-D

### NO. 4 & 4A SINGLE POLE SPRING CLOSED TYPE L LINE-ARC CONTACTOR, FOLIO 3

This document utilizes an interactive table of contents to help you jump from one section to another. Click the button to return to the table of contents.

**RETURN TO  
TABLE OF CONTENTS**

#### BRAKES

#### CONTACTORS

- No. 0 SINGLE POLE TYPE S CONTACTOR, FOLIO 7
- No. 1 SINGLE POLE TYPE L LINE--ARC CONTACTOR, FOLIO 3
- No. 1 SINGLE POLE SPRING CLOSED TYPE L LINE--ARC CONTACTOR, FOLIO 3
- No. 2 SINGLE POLE TYPE L LINE--ARC CONTACTOR, FOLIO 3
- No. 2 SINGLE POLE SPRING CLOSED TYPE L LINE--ARC CONTACTOR, FOLIO 3
- No. 2 DOUBLE POLE TYPE L LINE--ARC CONTACTOR, FOLIO 3
- No. 3 SINGLE POLE TYPE L LINE--ARC CONTACTOR, FOLIO 3
- No. 3 SINGLE POLE SPRING CLOSED TYPE L LINE--ARC CONTACTOR, FOLIO 3
- No. 3 DOUBLE POLE TYPE L LINE--ARC CONTACTOR, FOLIO 3
- No. 4&4A SINGLE POLE TYPE L LINE--ARC CONTACTOR, FOLIO 3
- No. 4&4A SINGLE POLE SPRING CLOSED TYPE L LINE--ARC CONTACTOR, FOLIO 3

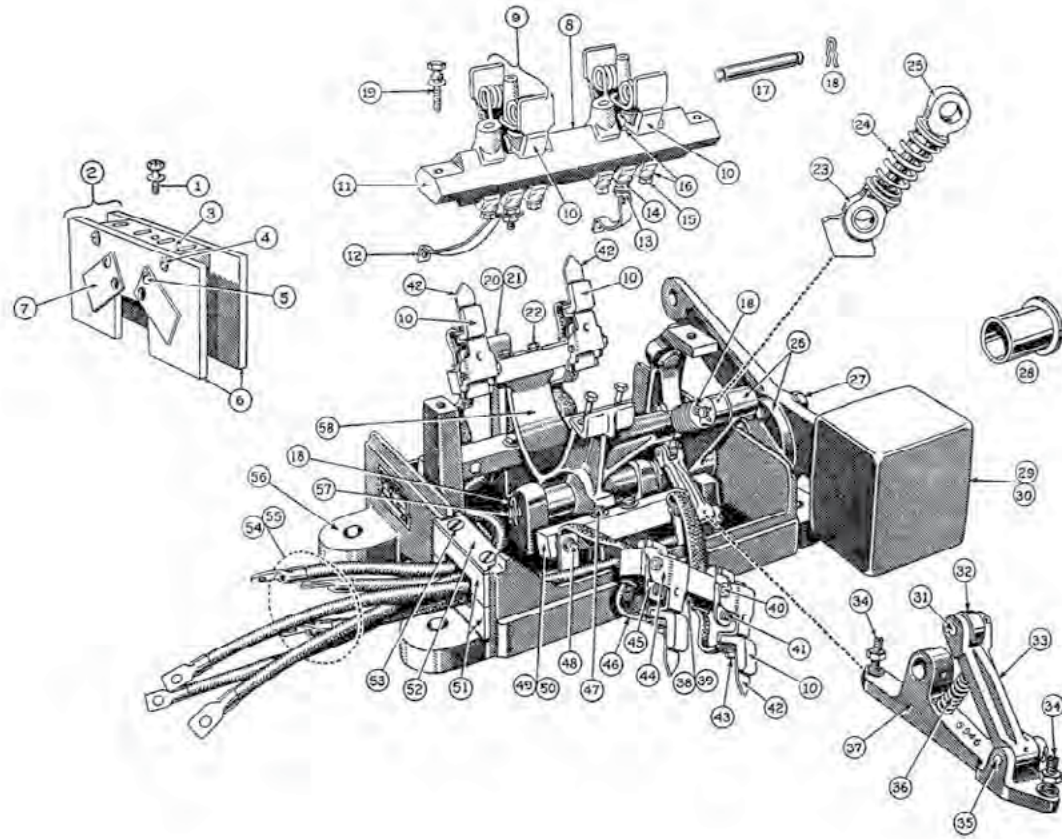
#### SAFETY LIMIT STOPS

#### MISCELLANEOUS

#### INDEX

| Itm | OEM Part  | Description                | Itm | OEM Part | Description                   |
|-----|-----------|----------------------------|-----|----------|-------------------------------|
| 1   | LT-4708-A | Arc Shield                 | 70  | LTZ-1811 | Coil Terminal Stud            |
| 2   | LT-4734   | Arc Shield Hinge           | 73  | LT-1068  | Washer                        |
| 5   | FP-23A36  | Binding Screw              | 75  | LT-4738  | B/O Ear                       |
| 6   | FP-23A14  | Binding Post               | 76  | LT-4750  | Insl. For B/O Ear             |
| 7   | LT-4778-A | Connector Arc Plate        | 77  | LT-4733  | Arc Shield Clip               |
| 8   | LT-4745   | Arc Shield Spacer          | 79  | LT-2091  | Spring Washer, Large          |
| 10  | ZO-1150   | Cup Washer                 | 81  | L-4109   | Connector                     |
| 11  | LT-4741   | Arc Shield L.H.            | 82  | LT-4754  | Connector                     |
| 12  | LT-4742   | Arc Shield, R.H.           | 83  | EL-1-A   | Control Circuit Arm, Complete |
| 13  | LT-4720-A | Arc Plate                  | 84  | EL-2-A   | Control Circuit Arm, Complete |
| 14  | LT-4744   | Blocks                     | 85  | EL-3     | Control Circuit Arm Only      |
| 16  | LT-4709-A | B/O Coil & Contact Bracket | 86  | EL-87    | Spring Retainer               |
| 17  | LT-4710-A | B/O Coil                   | 87  | EL-49    | Spring                        |
| 18  | LT-4711-A | B/O Coil                   | 88  | EL-84-A  | Contact Bridge                |
| 19  | LT-4712-A | B/O Coil                   | 90  | L-4148   | Tie Bar                       |
| 20  | LT-4757   | B/O Core                   |     |          |                               |
| 21  | LT-4749   | Insl. For B/O Core         |     |          |                               |
| 22  | LT-4732-A | B/O Guard                  |     |          |                               |
| 23  | LT-4748   | Stud                       |     |          |                               |
| 24  | LT-4743   | B/O Ear Spacer             |     |          |                               |
| 25  | LT-4718   | Contact Tip                |     |          |                               |
| 27  | L-4113-A  | Retarding Coil             |     |          |                               |
| 28  | L-4114-A  | Retarding Coil             |     |          |                               |
| 29  | L-3119    | Washer, For Retarding Coil |     |          |                               |
| 30  | L-4108    | Stop Bar                   |     |          |                               |
| 32  | LT-4716-A | Aux Arm                    |     |          |                               |
| 33  | LT-4727   | Aux Arm Guard              |     |          |                               |
| 34  | LT-4755   | Contact Spring             |     |          |                               |
| 35  | LT-4737   | Spring Bracket             |     |          |                               |
| 36  | LT-3092   | Set Screw                  |     |          |                               |
| 38  | LT-4777   | Aux Arm Pin                |     |          |                               |
| 39  | FP-24B14  | Oilite Bearing             |     |          |                               |
| 40  | LT-3093   | Set Screw                  |     |          |                               |
| 41  | FP-24B16  | Bearing                    |     |          |                               |
| 42  | LT-4037   | Mag Arm Pin                |     |          |                               |
| 43  | L-4111-A  | Connector                  |     |          |                               |
| 44  | L-4121-A  | Connector                  |     |          |                               |
| 45  | L-4102-A  | Magnet Arm                 |     |          |                               |
| 47  | LT-4067   | Core Cap                   |     |          |                               |
| 48  | L-4105    | Spring (Oper.)             |     |          |                               |
| 49  | L-4106    | Stud                       |     |          |                               |
| 50  | LT-4824   | Spacer                     |     |          |                               |
| 51  | L-4132-A  | Core                       |     |          |                               |
| 52  | LT-4804-A | Coil                       |     |          |                               |
| 53  | LT-4805-A | Coil                       |     |          |                               |
| 55  | LTZ-1811  | Coil Terminal Stud         |     |          |                               |
| 56  | L-4128    | Coil Terminal Stud         |     |          |                               |
| 57  | LT-4814-A | Mag Frame                  |     |          |                               |
| 58  | L-4104-A  | Bracket                    |     |          |                               |
| 59  | LT-4044-A | Main Terminal Stud         |     |          |                               |
| 60  | LT-4045-A | Main Terminal Stud         |     |          |                               |
| 62  | EL-27     | Stud                       |     |          |                               |
| 63  | EL-28     | Stud                       |     |          |                               |
| 64  | EL-6-A    | Control Circuit Contact    |     |          |                               |
| 66  | EL-33     | Stud                       |     |          |                               |
| 67  | EL-34     | Stud                       |     |          |                               |
| 68  | L-3120    | Spring                     |     |          |                               |
| 69  | LTZ-1810  | Coil Terminal Stud         |     |          |                               |





NO. 10 YOUNGSTOWN LIMIT STOP

| Item | OEM Part | Description                    | Item | OEM Part  | Description                 |
|------|----------|--------------------------------|------|-----------|-----------------------------|
| 2    | X-1107-A | Assembled Arc Barrier          | 36   | X-164     | Roller Arm Spring           |
| 3    | X-1185   | Spacer                         | 37   | X-157     | Base                        |
| 6    | X-1163   | Arc Shield                     | 38   | X-1104-A  | Assembled Arm Insulator     |
| 7    | X-1158   | Blowout Ear                    | 39   | X-143     | Arm Insulator               |
| 8    | X-1102-A | Assembled Contact Beam         | 40   | ZS-1159   | Aux. Arm Pin                |
| 9    | X-1105-A | Blowout Coil & Contact Bracket | 41   | X-174     | Contact Spring              |
| 10   | ZCX-60-S | Contact Tip, Silver-faced      | 42   | X-1118    | Guard                       |
| 11   | X-1150   | Contact Beam                   | 44   | ZS-1153   | Aux. Contact Arm            |
| 12   | X-1249   | Jumper                         | 45   | ZS-1148-A | Aux. Arm Bracket, w/Bushing |
| 16   | ZCX-31   | Clamp                          | 46   | X-134-A   | Connector                   |
| 17   | X-1156   | Blowout Core                   | 49   | X-119     | Terminal Board              |
| 18   | RS-130   | Special Cotter                 | 50   | X-179     | Terminal Board              |
| 20   | ZO-59    | Latch for Cover                | 51   | X-127     | Insulator                   |
| 21   | ZO-64    | Spring                         | 52   | X-128     | Insulator Clamp             |
| 23   | X-153-A  | Assembled Cam                  | 54   | X-1120-A  | Leads                       |
| 24   | X-112    | Spring                         | 55   | X-1121-A  | Leads                       |
| 25   | X-158    | Spring Seat                    | 56   | X-109     | Frame                       |
| 26   | X-1115-A | Operating Arm                  | 57   | X-156     | Contact Arm Shaft           |
| 28   | FP-24B32 | Shaft Bushing                  | 58   | X-1116    | Contact Arm                 |
| 29   | X-1128-A | Weight Arm                     | 59   | X-108-A   | Cover                       |
| 30   | X-1227-A | Weight Arm                     | 61   | FP-26A11  | Eye-bolt                    |
| 31   | X-162    | Roller Pin                     | 66   | X-1126-A  | Suspended Weight Complete   |
| 32   | X-160    | Roller                         | 67   | X-1129-A  | Suspended Weight w/Eye-Bolt |
| 33   | X-154    | Roller Arm                     | 69   | X-2159    | Clamp                       |
| 35   | X-161    | Roller Arm Pin                 | 70   | X-2167    | Rope Guide                  |

This document utilizes an interactive table of contents to help you jump from one section to another. Click the button to return to the table of contents.

**RETURN TO  
TABLE OF CONTENTS**

*BRAKES*

*CONTACTORS*

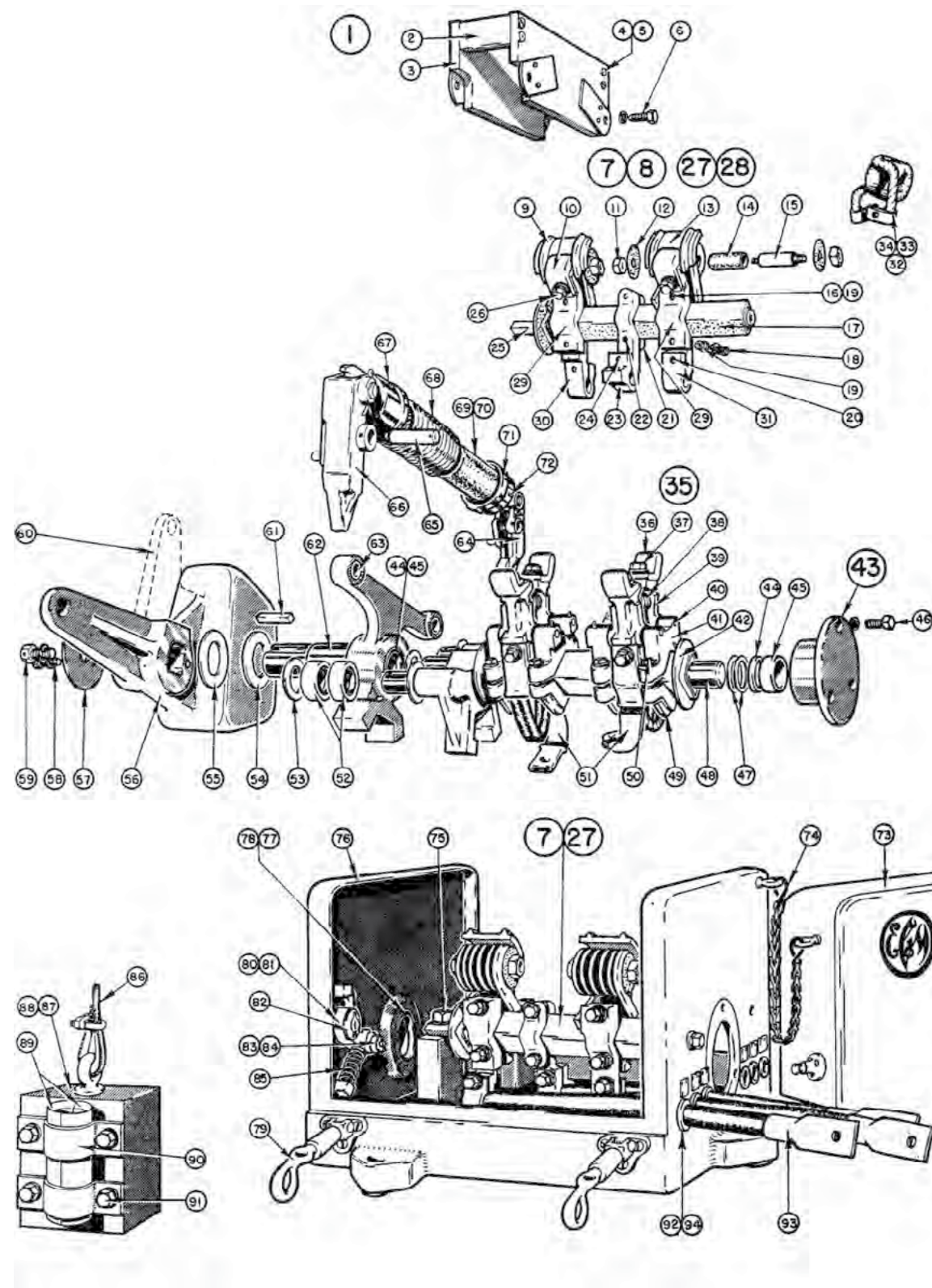
- No. 0 SINGLE POLE TYPE S CONTACTOR, FOLIO 7
- No. 1 SINGLE POLE TYPE L LINE--ARC CONTACTOR, FOLIO 3
- No. 1 SINGLE POLE SPRING CLOSED TYPE L LINE--ARC CONTACTOR, FOLIO 3
- No. 2 SINGLE POLE TYPE L LINE--ARC CONTACTOR, FOLIO 3
- No. 2 SINGLE POLE SPRING CLOSED TYPE L LINE--ARC CONTACTOR, FOLIO 3
- No. 2 DOUBLE POLE TYPE L LINE--ARC CONTACTOR, FOLIO 3
- No. 3 SINGLE POLE TYPE L LINE--ARC CONTACTOR, FOLIO 3
- No. 3 SINGLE POLE SPRING CLOSED TYPE L LINE--ARC CONTACTOR, FOLIO 3
- No. 3 DOUBLE POLE TYPE L LINE--ARC CONTACTOR, FOLIO 3
- No. 4&4A SINGLE POLE TYPE L LINE--ARC CONTACTOR, FOLIO 3
- No. 4&4A SINGLE POLE SPRING CLOSED TYPE L LINE--ARC CONTACTOR, FOLIO 3

*SAFETY LIMIT STOPS*

*MISCELLANEOUS*

*INDEX*

## NO. 20 YOUNGSTOWN LIMIT SWITCH



This document utilizes an interactive table of contents to help you jump from one section to another. Click the button to return to the table of contents.

**RETURN TO  
TABLE OF CONTENTS**

*BRAKES**CONTACTORS*

- No. 0 SINGLE POLE TYPE S CONTACTOR, FOLIO 7
- No. 1 SINGLE POLE TYPE L LINE--ARC CONTACTOR, FOLIO 3
- No. 1 SINGLE POLE SPRING CLOSED TYPE L LINE--ARC CONTACTOR, FOLIO 3
- No. 2 SINGLE POLE TYPE L LINE--ARC CONTACTOR, FOLIO 3
- No. 2 SINGLE POLE SPRING CLOSED TYPE L LINE--ARC CONTACTOR, FOLIO 3
- No. 2 DOUBLE POLE TYPE L LINE--ARC CONTACTOR, FOLIO 3
- No. 3 SINGLE POLE TYPE L LINE--ARC CONTACTOR, FOLIO 3
- No. 3 SINGLE POLE SPRING CLOSED TYPE L LINE--ARC CONTACTOR, FOLIO 3
- No. 3 DOUBLE POLE TYPE L LINE--ARC CONTACTOR, FOLIO 3
- No. 4&4A SINGLE POLE TYPE L LINE--ARC CONTACTOR, FOLIO 3
- No. 4&4A SINGLE POLE SPRING CLOSED TYPE L LINE--ARC CONTACTOR, FOLIO 3

*SAFETY LIMIT STOPS**MISCELLANEOUS**INDEX*



## NO. 20 YOUNGSTOWN LIMIT SWITCH

| Item | OEM Part | Description                    | Item | OEM Part | Description                    |
|------|----------|--------------------------------|------|----------|--------------------------------|
| 1    | X-2108-A | Assembled Arc Barrier          | 78   | FP-51A11 | Sealing Ring                   |
| 2    | X-2185   | Spacer                         | 79   | FP-41A14 | Hood Fastener                  |
| 3    | X-2107-A | Arc Barrier only               | 80   | X-2120-A | Locking Arm                    |
| 4    | FP-23A36 | Binding Screw                  | 81   | X-2119-A | Locking Arm, left side         |
| 5    | FP-23A14 | Binding Post                   | 82   | X-2170   | Washer, for Locking Arm        |
| 7    | X-2102-A | Stationary Contact Shaft       | 83   | X-2175   | Roller, for Locking Arm        |
| 8    | X-2103-A | Stationary Contact Shaft       | 84   | X-2173   | Washer, for Locking Arm Roller |
| 9    | X-2105-A | Blowout Coil & Contact Bracket | 85   | X-2276   | Spring                         |
| 10   | LT-3031  | Contact Tip                    | 93   | X-2110-A | Lead                           |
| 12   | X-2184   | Insulating Washer              |      |          |                                |
| 13   | X-2106-A | Blowout Coil & Contact Bracket |      |          |                                |
| 14   | LTZ-1297 | Blowout Core Insulator         |      |          |                                |
| 15   | X-2156   | Blowout Core                   |      |          |                                |
| 17   | X-2228-A | Shaft Insulator                |      |          |                                |
| 19   | X-2186   | Insulating Bushing             |      |          |                                |
| 21   | X-2141   | Clamp                          |      |          |                                |
| 23   | X-2145   | Terminal Bracket               |      |          |                                |
| 25   | X-2150   | Shaft                          |      |          |                                |
| 27   | X-2262-A | Stationary Contact Shaft       |      |          |                                |
| 28   | X-2263-A | Stationary Contact Shaft       |      |          |                                |
| 29   | X-2142   | Contact Bracket                |      |          |                                |
| 30   | X-2266   | Terminal Bracket               |      |          |                                |
| 31   | X-2265   | Terminal Bracket               |      |          |                                |
| 35   | X-2104-A | Movable Contact Assembly       |      |          |                                |
| 36   | LT-3031  | Contact Tip                    |      |          |                                |
| 38   | X-2188   | Contact Spring                 |      |          |                                |
| 39   | X-2139   | Auxiliary Arm                  |      |          |                                |
| 40   | X-2180   | Auxiliary Arm Pin              |      |          |                                |
| 41   | X-2138   | Auxiliary Arm Bracket          |      |          |                                |
| 42   | X-2229-A | Shaft Insulator                |      |          |                                |
| 43   | X-2220-A | Bearing Housing                |      |          |                                |
| 44   | FP-51A10 | Sealing Ring                   |      |          |                                |
| 45   | FP-24C21 | Oilite Bearing                 |      |          |                                |
| 47   | X-2099   | Spacers                        |      |          |                                |
| 48   | X-2116-A | Rocker Arm                     |      |          |                                |
| 49   | X-2140   | Clamp                          |      |          |                                |
| 52   | X-2289-A | Roller                         |      |          |                                |
| 53   | X-2169   | Washer, for Roller             |      |          |                                |
| 54   | X-2172   | Thrust Washer                  |      |          |                                |
| 55   | X-2224   | Thrust Washer                  |      |          |                                |
| 56   | X-2128-A | Weight Arm                     |      |          |                                |
| 57   | X-2200   | Cap                            |      |          |                                |
| 58   | X-2222   | Special Cap Screw              |      |          |                                |
| 59   | X-2221   | Special Cap Screw              |      |          |                                |
| 61   | X-2194   | Key                            |      |          |                                |
| 62   | X-2115-A | Operating Arm                  |      |          |                                |
| 63   | FP-24C19 | Oilite Bearing                 |      |          |                                |
| 64   | X-2117-A | Trip Lever                     |      |          |                                |
| 66   | X-2118-A | Trip Lever                     |      |          |                                |
| 67   | X-2281-A | Spring Seat                    |      |          |                                |
| 68   | X-2187   | Operating Spring               |      |          |                                |
| 69   | X-2280-A | Spring Retainer                |      |          |                                |
| 70   | X-2277   | Tube                           |      |          |                                |
| 71   | X-2278   | Tube Support                   |      |          |                                |
| 73   | X-2111-A | Hood                           |      |          |                                |
| 75   | X-2198   | Special Cap Screw              |      |          |                                |
| 77   | FP-24C20 | Oilite Bearing                 |      |          |                                |

This document utilizes an interactive table of contents to help you jump from one section to another. Click the button to return to the table of contents.

**RETURN TO  
TABLE OF CONTENTS**

*BRAKES**CONTACTORS**SAFETY LIMIT STOPS*

- No. 10 YOUNGSTOWN LIMIT STOP
- No. 20 YOUNGSTOWN LIMIT SWITCH
- No. 30 YOUNGSTOWN LIMIT SWITCH
- No. 10 YOUNGSTOWN LIMIT SWITCH AC/DC TYPE BG SERIES A
- No. 20 AC/DC YOUNGSTOWN LIMIT SWITCH TYPE CG SERIES B
- No. 20 AC/DC YOUNGSTOWN LIMIT SWITCH TPYE CCG SERIES B
- No. 30 YOUNGSTOWN LIMIT SWITCH TYPE DG SERIES A
- No. 30 YOUNGSTOWN LIMIT SWITCH TYPE DDG SERIES A
- No. 40 YOUNGSTOWN LIMIT STOP SINGLE TYPE EG SERIES A
- No. 40 YOUNGSTOWN LIMIT STOP DUPLEX TYPE EEG SERIES A
- No. 50 DC YOUNGSTOWN LIMIT STOP SIMPLEX TYPE FG SERIES A
- No. 50 DC YOUNGSTOWN LIMIT STOP DUPLEX TYPE FFG SERIES A

*MISCELLANEOUS**INDEX*

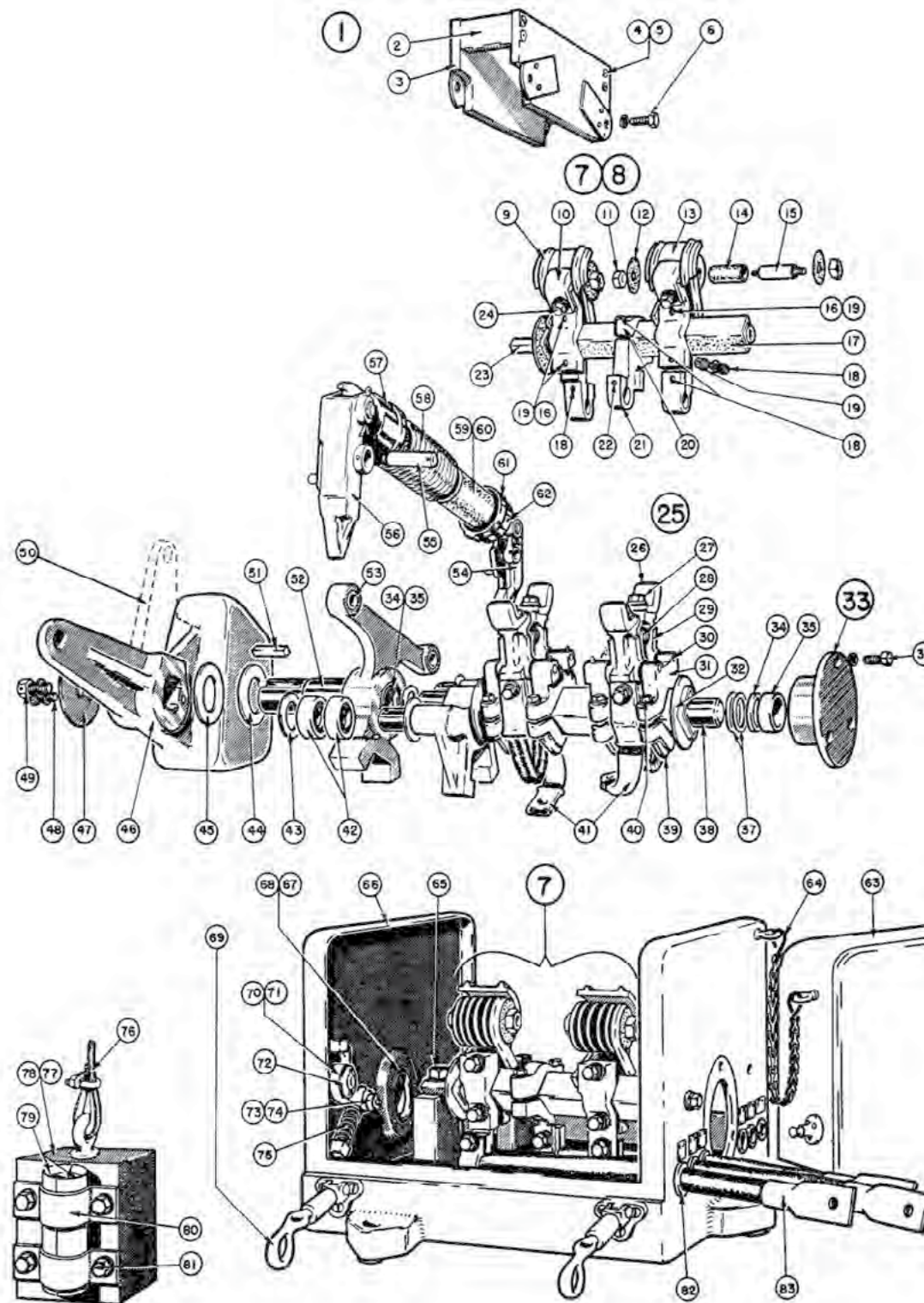
## NO. 30 YOUNGTOWN LIMIT SWITCH

This document utilizes an interactive table of contents to help you jump from one section to another. Click the button to return to the table of contents.

**RETURN TO  
TABLE OF CONTENTS**

*BRAKES**CONTACTORS**SAFETY LIMIT STOPS*

- No. 10 YOUNGTOWN LIMIT STOP
- No. 20 YOUNGTOWN LIMIT SWITCH
- No. 30 YOUNGTOWN LIMIT SWITCH
- No. 10 YOUNGTOWN LIMIT SWITCH AC/DC TYPE BG SERIES A
- No. 20 AC/DC YOUNGTOWN LIMIT SWITCH TYPE CG SERIES B
- No. 20 AC/DC YOUNGTOWN LIMIT SWITCH TPYE CCG SERIES B
- No. 30 YOUNGTOWN LIMIT SWITCH TYPE DG SERIES A
- No. 30 YOUNGTOWN LIMIT SWITCH TYPE DDG SERIES A
- No. 40 YOUNGTOWN LIMIT STOP SINGLE TYPE EG SERIES A
- No. 40 YOUNGTOWN LIMIT STOP DUPLEX TYPE EEG SERIES A
- No. 50 DC YOUNGTOWN LIMIT STOP SIMPLEX TYPE FG SERIES A
- No. 50 DC YOUNGTOWN LIMIT STOP DUPLEX TYPE FFG SERIES A

*MISCELLANEOUS**INDEX*



NO. 30 YOUNSTOWN LIMIT SWITCH

This document utilizes an interactive table of contents to help you jump from one section to another. Click the button to return to the table of contents.

**RETURN TO  
TABLE OF CONTENTS**

*BRAKES*

*CONTACTORS*

*SAFETY LIMIT STOPS*

- No. 10 YOUNGSTOWN LIMIT STOP
- No. 20 YOUNGSTOWN LIMIT SWITCH
- No. 30 YOUNGSTOWN LIMIT SWITCH
- No. 10 YOUNGSTOWN LIMIT SWITCH AC/DC TYPE BG SERIES A
- No. 20 AC/DC YOUNGSTOWN LIMIT SWITCH TYPE CG SERIES B
- No. 20 AC/DC YOUNGSTOWN LIMIT SWITCH TPYE CCG SERIES B
- No. 30 YOUNGSTOWN LIMIT SWITCH TYPE DG SERIES A
- No. 30 YOUNGSTOWN LIMIT SWITCH TYPE DDG SERIES A
- No. 40 YOUNGSTOWN LIMIT STOP SINGLE TYPE EG SERIES A
- No. 40 YOUNGSTOWN LIMIT STOP DUPLEX TYPE EEG SERIES A
- No. 50 DC YOUNGSTOWN LIMIT STOP SIMPLEX TYPE FG SERIES A
- No. 50 DC YOUNGSTOWN LIMIT STOP DUPLEX TYPE FFG SERIES A

*MISCELLANEOUS*

*INDEX*

| Itm | OEM Part | Description                    | Itm | OEM Part | Description               |
|-----|----------|--------------------------------|-----|----------|---------------------------|
| 1   | X-3108-A | Assembled Arc Barrier          | 74  | X-2173   | Washer/Locking Arm Roller |
| 2   | X-3185   | Spacer                         | 75  | X-2276   | Spring                    |
| 3   | X-3107-A | Arc Barrier Only               | 83  | X-3110-A | Lead                      |
| 4   | FP-23A12 | Binding Post                   |     |          |                           |
| 5   | FP-23A36 | Binding Screw                  |     |          |                           |
| 7   | X-3102-A | Stationary Contact Shaft       |     |          |                           |
| 8   | X-3103-A | Stationary Contact Shaft       |     |          |                           |
| 9   | X-3105-A | Blowout Coil & Contact Bracket |     |          |                           |
| 10  | LT-4787  | Contact Tip                    |     |          |                           |
| 12  | X-2184   | Insulating Washer              |     |          |                           |
| 13  | X-3106-A | Blowout Coil & Contact Bracket |     |          |                           |
| 14  | X-3183   | Blowout Core Insulator         |     |          |                           |
| 15  | X-3156   | Blowout Core                   |     |          |                           |
| 17  | X-3228-A | Shaft Insulator                |     |          |                           |
| 19  | X-3186   | Insulating Bushing             |     |          |                           |
| 20  | X-3141   | Clamp                          |     |          |                           |
| 21  | X-3145   | Terminal Bracket               |     |          |                           |
| 23  | X-3150   | Stationary Contact Shaft       |     |          |                           |
| 25  | X-3104-A | Movable Contact Assembly       |     |          |                           |
| 26  | LT-4787  | Contact Tip                    |     |          |                           |
| 28  | X-3188   | Contact Spring                 |     |          |                           |
| 29  | X-3139   | Auxiliary Arm                  |     |          |                           |
| 30  | X-3180   | Auxiliary Arm Pin              |     |          |                           |
| 31  | X-3138   | Auxiliary Arm Bracket          |     |          |                           |
| 32  | X-3229-A | Shaft Insulator                |     |          |                           |
| 33  | X-2220-A | Bearing Housing                |     |          |                           |
| 35  | FP-24C21 | Oilite Bearing                 |     |          |                           |
| 37  | X-2099   | Spacers                        |     |          |                           |
| 38  | X-3116-A | Rocker Arm                     |     |          |                           |
| 39  | X-3140   | Clamp                          |     |          |                           |
| 41  | X-3109-A | Connector                      |     |          |                           |
| 42  | X-2289-A | Roller                         |     |          |                           |
| 44  | X-2172   | Thrust Washer                  |     |          |                           |
| 45  | X-2224   | Thrust Washer                  |     |          |                           |
| 46  | X-3128-A | Weight Arm                     |     |          |                           |
| 47  | X-2200   | Cap                            |     |          |                           |
| 48  | X-2222   | Special Cap Screw              |     |          |                           |
| 49  | X-2221   | Special Cap Screw              |     |          |                           |
| 51  | X-2194   | Key                            |     |          |                           |
| 52  | X-2115-A | Operating Arm                  |     |          |                           |
| 53  | FP-24C19 | Oilite Bearing                 |     |          |                           |
| 54  | X-2117-A | Trip Lever                     |     |          |                           |
| 56  | X-2118-A | Trip Lever                     |     |          |                           |
| 57  | X-2281-A | Spring Seat                    |     |          |                           |
| 58  | X-3187   | Operating Spring               |     |          |                           |
| 59  | X-2280-A | Sprng Retainer                 |     |          |                           |
| 60  | X-2277   | Tube                           |     |          |                           |
| 61  | X-2278   | Tube Support                   |     |          |                           |
| 65  | X-2198   | Special Cap Screw              |     |          |                           |
| 67  | FP-24C20 | Oilite Bearing                 |     |          |                           |
| 68  | FP-51A11 | Sealing Ring                   |     |          |                           |
| 70  | X-2120-A | Locking Arm                    |     |          |                           |
| 71  | X-2119-A | Locking Arm left side          |     |          |                           |
| 72  | X-2170   | Washer for Locking Arm         |     |          |                           |
| 73  | X-2175   | Roller for Locking Arm         |     |          |                           |

O.C.C.

Replacement Parts For  
NO. 10 YOUNGSTOWN LIMIT SWITCH AC/DC  
TYPE BG SERIES A

SQUARE-D

This document utilizes an interactive table of contents to help you jump from one section to another. Click the button to return to the table of contents.

**RETURN TO  
TABLE OF CONTENTS**

*BRAKES*

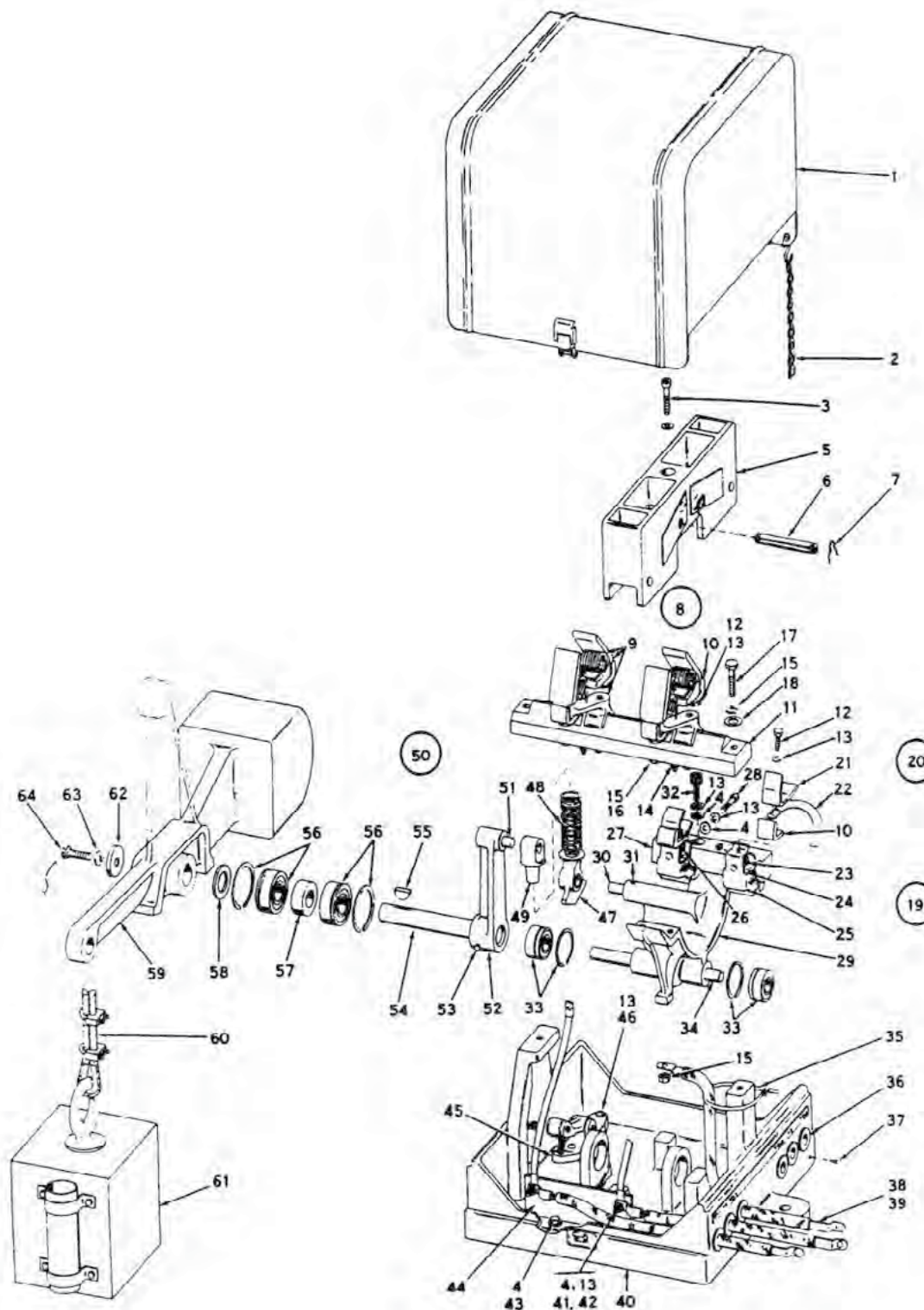
*CONTACTORS*

*SAFETY LIMIT STOPS*

- No. 10 YOUNGSTOWN LIMIT STOP
- No. 20 YOUNGSTOWN LIMIT SWITCH
- No. 30 YOUNGSTOWN LIMIT SWITCH
- No. 10 YOUNGSTOWN LIMIT SWITCH AC/DC TYPE BG SERIES A
- No. 20 AC/DC YOUNGSTOWN LIMIT SWITCH TYPE CG SERIES B
- No. 20 AC/DC YOUNGSTOWN LIMIT SWITCH TPYE CCG SERIES B
- No. 30 YOUNGSTOWN LIMIT SWITCH TYPE DG SERIES A
- No. 30 YOUNGSTOWN LIMIT SWITCH TYPE DDG SERIES A
- No. 40 YOUNGSTOWN LIMIT STOP SINGLE TYPE EG SERIES A
- No. 40 YOUNGSTOWN LIMIT STOP DUPLEX TYPE EEG SERIES A
- No. 50 DC YOUNGSTOWN LIMIT STOP SIMPLEX TYPE FG SERIES A
- No. 50 DC YOUNGSTOWN LIMIT STOP DUPLEX TYPE FFG SERIES A

*MISCELLANEOUS*

*INDEX*



NO. 10 YOUNGSTOWN LIMIT SWITCH AC/DC TYPE BG SERIES A

This document utilizes an interactive table of contents to help you jump from one section to another. Click the button to return to the table of contents.

**RETURN TO  
TABLE OF CONTENTS**

*BRAKES*

*CONTACTORS*

*SAFETY LIMIT STOPS*

- No. 10 YOUNGSTOWN LIMIT STOP
- No. 20 YOUNGSTOWN LIMIT SWITCH
- No. 30 YOUNGSTOWN LIMIT SWITCH
- No. 10 YOUNGSTOWN LIMIT SWITCH AC/DC TYPE BG SERIES A
- No. 20 AC/DC YOUNGSTOWN LIMIT SWITCH TYPE CG SERIES B
- No. 20 AC/DC YOUNGSTOWN LIMIT SWITCH TPYE CCG SERIES B
- No. 30 YOUNGSTOWN LIMIT SWITCH TYPE DG SERIES A
- No. 30 YOUNGSTOWN LIMIT SWITCH TYPE DDG SERIES A
- No. 40 YOUNGSTOWN LIMIT STOP SINGLE TYPE EG SERIES A
- No. 40 YOUNGSTOWN LIMIT STOP DUPLEX TYPE EEG SERIES A
- No. 50 DC YOUNGSTOWN LIMIT STOP SIMPLEX TYPE FG SERIES A
- No. 50 DC YOUNGSTOWN LIMIT STOP DUPLEX TYPE FFG SERIES A

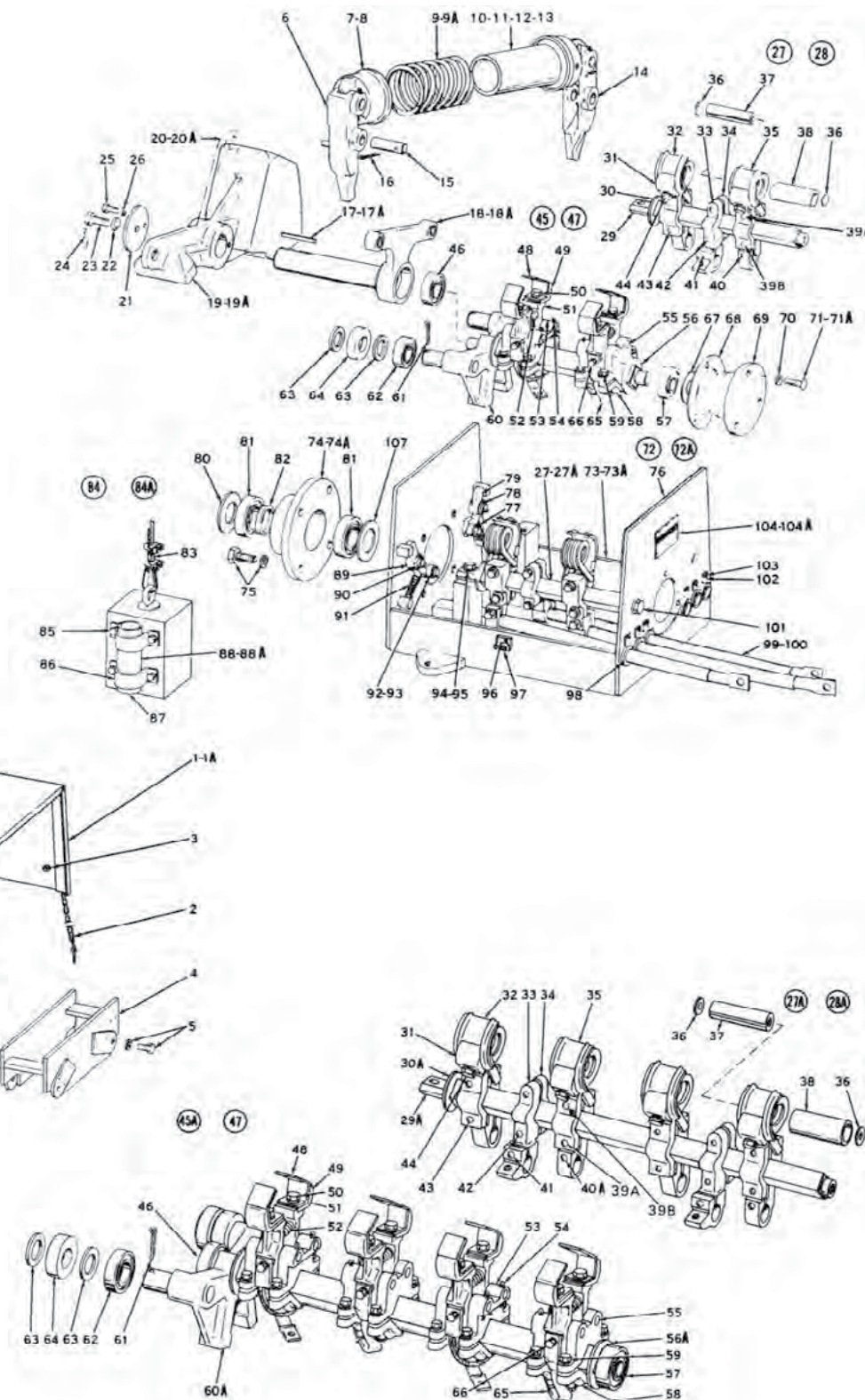
*MISCELLANEOUS*

*INDEX*

| Itm | OEM Part     | Description                  | Itm | OEM Part     | Description                |
|-----|--------------|------------------------------|-----|--------------|----------------------------|
| 1   | 51065-011-50 | Cover                        | 59  | 51065-030-50 | Assembled Weight Arm       |
| 2   | 51065-033-50 | Cover Chain                  | 59  | 51065-031-50 | Assembled Weight Arm       |
| 3   | 21601-20440  | Socket Head Cap Screw        | 60  | X-2125-A     | Wire Rope                  |
| 4   | 23601-00200  | Washer                       | 61  | X-1126-A     | Assembled Suspended Weight |
| 5   | 51065-015-50 | Arc Chute                    | 62  | X-1316       | Cap Washer                 |
| 6   | X-1218       | Blowout Core                 | 63  | 23701-00240  | Pl. Lock Washer            |
| 7   | RS-130       | Special Cotter               | 64  | X-1334       | Special Cap Screw          |
| 8   | 51065-012-50 | Assembled Contact Beam       |     |              |                            |
| 9   | 51065-020-50 | Assembled Blowout Coil       |     |              |                            |
| 10  | ZCX-60       | Contact Tip                  |     |              |                            |
| 11  | 51065-017-01 | Contact Beam                 |     |              |                            |
| 12  | 21401-20240  | H.I. Cap Screw               |     |              |                            |
| 13  | 23701-00200  | Pl. Lock Washer              |     |              |                            |
| 14  | 23002-00220  | H.I. Nut                     |     |              |                            |
| 15  | 23701-00220  | Lock Washer                  |     |              |                            |
| 16  | 21401-22660  | Cap Screw                    |     |              |                            |
| 17  | 21401-22480  | Cap Screw                    |     |              |                            |
| 18  | 23601-00220  | Washer                       |     |              |                            |
| 19  | 51065-013-50 | Contact Arm                  |     |              |                            |
| 20  | 51065-025-50 | Assembled Arm Insulator      |     |              |                            |
| 21  | 51065-024-01 | Arc Guard                    |     |              |                            |
| 22  | 51065-023-50 | Assembled Flexible Connector |     |              |                            |
| 23  | ZS-133       | Auxiliary Contact Arm        |     |              |                            |
| 24  | 24209-16440  | Rollpin                      |     |              |                            |
| 25  | ZS-1147      | Auxiliary Arm Bracket        |     |              |                            |
| 26  | X-174        | Contact Spring               |     |              |                            |
| 27  | 51065-022-01 | Moving Contact Block         |     |              |                            |
| 28  | 21401-20400  | Cap Screw                    |     |              |                            |
| 29  | X-1326       | Contact Arm                  |     |              |                            |
| 30  | 50502-226-05 | Pin                          |     |              |                            |
| 31  | 24209-12320  | Rollpin                      |     |              |                            |
| 32  | 21601-20400  | Cap Screw                    |     |              |                            |
| 33  | FP-24L10     | Bearing                      |     |              |                            |
| 34  | 50502-276-24 | Contact Arm Shaft            |     |              |                            |
| 35  | 25901        | Cable Ty-Rap                 |     |              |                            |
| 36  | X-1327       | Grommet                      |     |              |                            |
| 37  | 21008-06120  | Drive Screw                  |     |              |                            |
| 38  | 51065-028-50 | Assembled Lead               |     |              |                            |
| 39  | 51065-028-51 | Assembled Lead               |     |              |                            |
| 40  | 51065-010-50 | Assembled Frame              |     |              |                            |
| 41  | 21401-20320  | Cap Screw                    |     |              |                            |
| 42  | 23002-00200  | Nut                          |     |              |                            |
| 43  | 21527-20240  | Type C Pan Head Screw        |     |              |                            |
| 44  | 51065-027-01 | Terminal Board               |     |              |                            |
| 45  | 51065-034-50 | Assembled Roller Bracket     |     |              |                            |
| 46  | 21527-20320  | Type C Pan Head Screw        |     |              |                            |
| 47  | X-153-A      | Assembled Cam                |     |              |                            |
| 48  | X-112        | Spring                       |     |              |                            |
| 49  | X-158        | Spring Seat                  |     |              |                            |
| 50  | 51065-014-50 | Assembled Operating Arm      |     |              |                            |
| 51  | 50502-226-05 | Pin                          |     |              |                            |
| 52  | 51065-037-01 | Operating Arm                |     |              |                            |
| 53  | 24202-06640  | Taper Pin                    |     |              |                            |
| 54  | 51065-029-01 | Operating Shaft              |     |              |                            |
| 56  | FP-24K13     | Bearing                      |     |              |                            |
| 57  | 50502-005-24 | Spacer                       |     |              |                            |
| 58  | X-1330       | Washer                       |     |              |                            |



**NO. 20 AC/DC YOUNGSTOWN LIMIT SWITCH  
TYPE CG SERIES B**



This document utilizes an interactive table of contents to help you jump from one section to another. Click the button to return to the table of contents.

**RETURN TO  
TABLE OF CONTENTS**

*BRAKES*

*CONTACTORS*

*SAFETY LIMIT STOPS*

- No. 10 YOUNGSTOWN LIMIT STOP
- No. 20 YOUNGSTOWN LIMIT SWITCH
- No. 30 YOUNGSTOWN LIMIT SWITCH
- No. 10 YOUNGSTOWN LIMIT SWITCH AC/DC TYPE BG SERIES A
- No. 20 AC/DC YOUNGSTOWN LIMIT SWITCH TYPE CG SERIES B
- No. 20 AC/DC YOUNGSTOWN LIMIT SWITCH TPYE CCG SERIES B
- No. 30 YOUNGSTOWN LIMIT SWITCH TYPE DG SERIES A
- No. 30 YOUNGSTOWN LIMIT SWITCH TYPE DDG SERIES A
- No. 40 YOUNGSTOWN LIMIT STOP SINGLE TYPE EG SERIES A
- No. 40 YOUNGSTOWN LIMIT STOP DUPLEX TYPE EEG SERIES A
- No. 50 DC YOUNGSTOWN LIMIT STOP SIMPLEX TYPE FG SERIES A
- No. 50 DC YOUNGSTOWN LIMIT STOP DUPLEX TYPE FFG SERIES A

*MISCELLANEOUS*

*INDEX*



NO. 20 AC/DC YOUNGSTOWN LIMIT SWITCH TYPE CG SERIES B

This document utilizes an interactive table of contents to help you jump from one section to another. Click the button to return to the table of contents.

**RETURN TO TABLE OF CONTENTS**

*BRAKES*

*CONTACTORS*

*SAFETY LIMIT STOPS*

- No. 10 YOUNGSTOWN LIMIT STOP
- No. 20 YOUNGSTOWN LIMIT SWITCH
- No. 30 YOUNGSTOWN LIMIT SWITCH
- No. 10 YOUNGSTOWN LIMIT SWITCH AC/DC TYPE BG SERIES A
- No. 20 AC/DC YOUNGSTOWN LIMIT SWITCH TYPE CG SERIES B
- No. 20 AC/DC YOUNGSTOWN LIMIT SWITCH TPYE CCG SERIES B
- No. 30 YOUNGSTOWN LIMIT SWITCH TYPE DG SERIES A
- No. 30 YOUNGSTOWN LIMIT SWITCH TYPE DDG SERIES A
- No. 40 YOUNGSTOWN LIMIT STOP SINGLE TYPE EG SERIES A
- No. 40 YOUNGSTOWN LIMIT STOP DUPLEX TYPE EEG SERIES A
- No. 50 DC YOUNGSTOWN LIMIT STOP SIMPLEX TYPE FG SERIES A
- No. 50 DC YOUNGSTOWN LIMIT STOP DUPLEX TYPE FFG SERIES A

*MISCELLANEOUS*

*INDEX*

| Itm | OEM Part     | Description                    | Itm | OEM Part     | Description                    |
|-----|--------------|--------------------------------|-----|--------------|--------------------------------|
| 1   | 51066-034-50 | Hood                           | 54  | 24201-06320  | Cotter Pin                     |
| 2   | 51066-045-50 | Hood Chain                     | 55  | X-2180       | Auxiliary Arm Pin              |
| 3   | 23001-00200  | Nut                            | 56  | X-2229-A     | Shaft Insulator                |
| 3   | 23701-00200  | Pl. Lock Washer                | 57  | 29002-16300  | Bearing                        |
| 4   | 51066-010-50 | Barrier                        | 58  | X-2140       | Clamp                          |
| 5   | 23701-00200  | Pl. Lock Washer                | 59  | 23701-00220  | Lock Washer                    |
| 5   | 21401-20200  | H.I. Cap Screw                 | 59  | 21401-22400  | H.I. Cap Screw                 |
| 6   | X-2118-A     | Trip Lever                     | 60  | X-2314-A     | Rocker Arm Assembly            |
| 7   | X-2281-A     | Spring Seat                    | 61  | 24201-08480  | Cotter Pin                     |
| 8   | 29005-40241  | Bearing                        | 62  | 29002-16300  | Bearing                        |
| 9   | X-2187       | Operating Spring               | 63  | X-2332       | Washer                         |
| 11  | X-2280-A     | Spring Retainer                | 64  | 29005-63640  | Roller                         |
| 14  | X-2117-A     | Trip Lever                     | 65  | X-2109-A     | Connector                      |
| 15  | X-2179       | Pin                            | 66  | 23701-00240  | Pl. Lock Washer                |
| 16  | 24201-08480  | Cotter Pin                     | 66  | 21401-24320  | Cap Screw                      |
| 17  | X-2194       | Key                            | 67  | X-2334       | Washer                         |
| 18  | X-2313-A     | Arm                            | 68  | X-3354       | Shim                           |
| 19  | X-2329-A     | Weight Arm                     | 69  | X-2316       | Bearing Housing                |
| 20  | X-2331-A     | Weight Arm                     | 71  | 21401-24240  | H.I. Cap Screw                 |
| 21  | X-2324       | Cap                            | 71  | 21401-24280  | Cap Screw                      |
| 22  | 23701-00280  | Pl. Lock Washer                | 72  | 51066-037-50 | Frame Assembly                 |
| 23  | X-2319       | Cap Screw                      | 73  | 51066-037-51 | Frame                          |
| 25  | X-2222       | Special Cap Screw              | 74  | X-2315       | Bearing Housing                |
| 26  | 23701-00240  | Pl. Lock Washer                | 75  | 23701-00280  | Pl. Lock Washer                |
| 27  | 51066-029-50 | Stationary Contact Shaft       | 75  | 21402-29400  | Socket Head Cap                |
| 28  | 51066-029-51 | Stationary Contact Shaft       | 77  | 24201-06240  | Cotter Pin                     |
| 29  | X-2150       | Shaft                          | 78  | 24201-06320  | Cotter Pin                     |
| 30  | X-2228-A     | Shaft Insulator                | 79  | X-2120-A     | Locking Arm, right side        |
| 31  | 50005-010-01 | Tip                            | 80  | X-2318       | Washer                         |
| 32  | 51066-030-51 | Blowout Coil & Contact Bracket | 81  | 29002-37320  | Bearing                        |
| 33  | X-2145       | Terminal Bracket               | 82  | X-2317       | Spacer                         |
| 34  | X-2141       | Clamp                          | 89  | X-2119-A     | Locking Arm, left side         |
| 35  | 51066-030-52 | Blowout Coil & Contact Bracket | 90  | X-2170       | Washer, for Locking Arm        |
| 36  | 50512-001-21 | Insulating Washer              | 91  | X-2276       | Spring                         |
| 37  | 51066-014-01 | Blowout Core                   | 92  | X-2173       | Washer, for Locking Arm Roller |
| 38  | 50512-052-05 | Blowout Core Insulator         | 93  | X-2175       | Roller, for Locking Arm        |
| 39  | 21401-22680  | Cap Screw                      | 94  | 21402-29400  | Socket Head Cap                |
| 39  | 21401-22640  | Cap                            | 96  | 29499-00800  | Hood Fastner Strike            |
| 39  | 23601-00220  | Washer                         | 97  | 21417-16120  | Self-Tapping Screw             |
| 39  | 23701-00220  | Lock Washer                    | 98  | X-2163       | Grommet                        |
| 39  | 21401-24560  | Cap                            | 99  | 51066-012-50 | Lead                           |
| 40  | 23601-00240  | Washer                         | 103 | 21008-04060  | Drive Screw                    |
| 40  | 21401-24400  | H.I. Cap Screw                 | 105 | 29499-00500  | Spring Catch                   |
| 41  | 23601-00240  | Washer                         | 106 | 24101-12080  | Rivets                         |
| 41  | 23701-00240  | Pl. Lock Washer                |     |              |                                |
| 42  | 21401-22660  | Cap Screw                      |     |              |                                |
| 44  | 21401-24280  | Cap Screw                      |     |              |                                |
| 45  | 51066-28-50  | Movable Contact Shaft Assy     |     |              |                                |
| 46  | 29002-16300  | Bearing                        |     |              |                                |
| 47  | 51066-030-50 | Movable Contact Assembly       |     |              |                                |
| 48  | 51066-008-01 | Arc Horn                       |     |              |                                |
| 49  | 50005-010-01 | Tip                            |     |              |                                |
| 50  | 23701-00240  | Pl. Lock Washer                |     |              |                                |
| 50  | 23601-00220  | Washer                         |     |              |                                |
| 51  | X-2139       | Auxiliary Arm                  |     |              |                                |
| 52  | X-2188       | Contact Spring                 |     |              |                                |
| 53  | X-2138       | Auxiliary Arm Bracket          |     |              |                                |

O.C.C.

Replacement Parts For

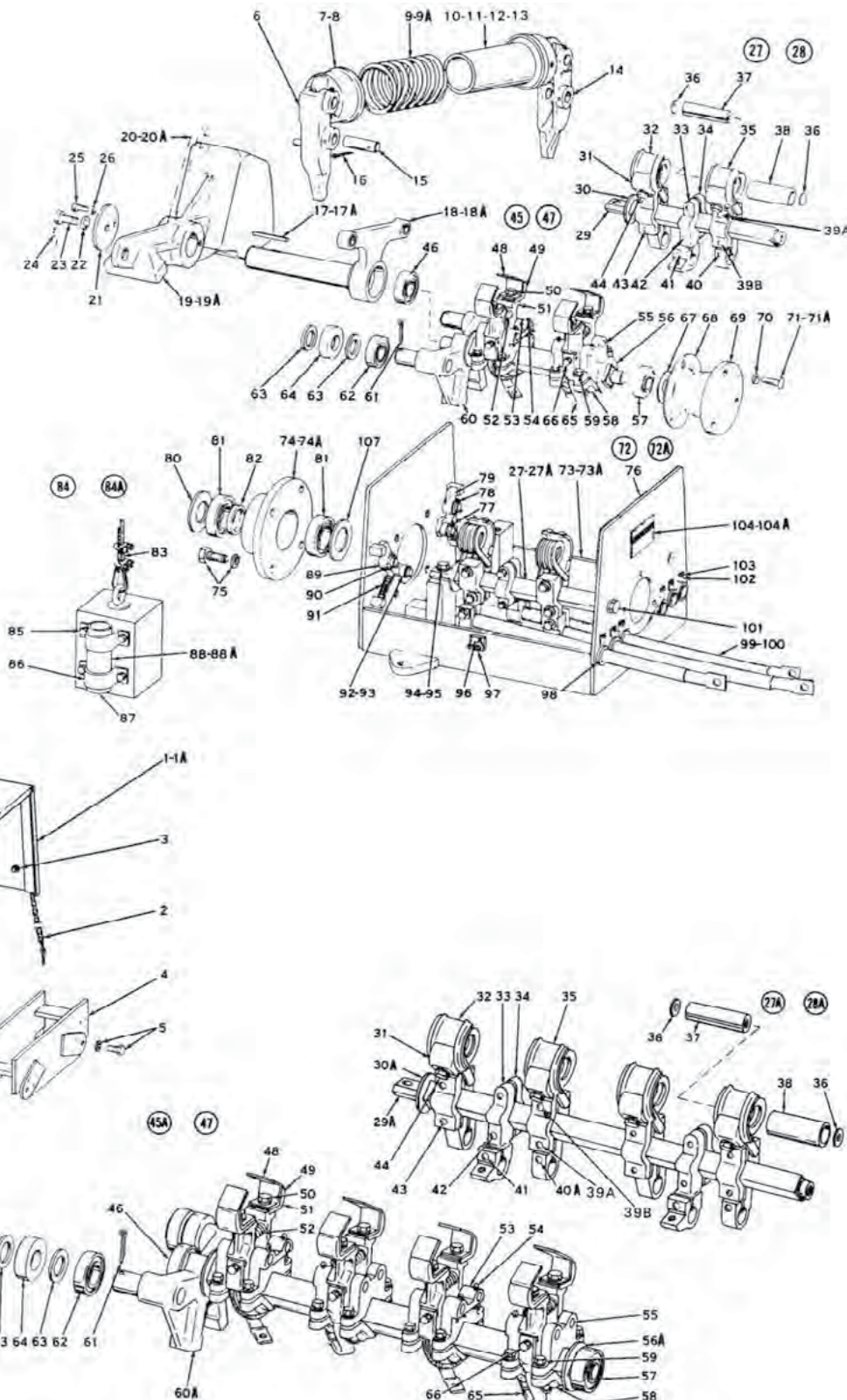
SQUARE-D

NO. 20 AC/DC YOUNGSTOWN LIMIT SWITCH

TYPE CCG SERIES B

This document utilizes an interactive table of contents to help you jump from one section to another. Click the button to return to the table of contents.

**RETURN TO  
TABLE OF CONTENTS**



*BRAKES*

*CONTACTORS*

*SAFETY LIMIT STOPS*

- No. 10 YOUNGSTOWN LIMIT STOP
- No. 20 YOUNGSTOWN LIMIT SWITCH
- No. 30 YOUNGSTOWN LIMIT SWITCH
- No. 10 YOUNGSTOWN LIMIT SWITCH AC/DC TYPE BG SERIES A
- No. 20 AC/DC YOUNGSTOWN LIMIT SWITCH TYPE CG SERIES B
- No. 20 AC/DC YOUNGSTOWN LIMIT SWITCH TPYE CCG SERIES B
- No. 30 YOUNGSTOWN LIMIT SWITCH TYPE DG SERIES A
- No. 30 YOUNGSTOWN LIMIT SWITCH TYPE DDG SERIES A
- No. 40 YOUNGSTOWN LIMIT STOP SINGLE TYPE EG SERIES A
- No. 40 YOUNGSTOWN LIMIT STOP DUPLEX TYPE EEG SERIES A
- No. 50 DC YOUNGSTOWN LIMIT STOP SIMPLEX TYPE FG SERIES A
- No. 50 DC YOUNGSTOWN LIMIT STOP DUPLEX TYPE FFG SERIES A

*MISCELLANEOUS*

*INDEX*

NO. 20 AC/DC YOUNGSTOWN LIMIT SWITCH TYPE CCG SERIES B

This document utilizes an interactive table of contents to help you jump from one section to another. Click the button to return to the table of contents.

**RETURN TO  
TABLE OF CONTENTS**

*BRAKES*

*CONTACTORS*

*SAFETY LIMIT STOPS*

- No. 10 YOUNGSTOWN LIMIT STOP
- No. 20 YOUNGSTOWN LIMIT SWITCH
- No. 30 YOUNGSTOWN LIMIT SWITCH
- No. 10 YOUNGSTOWN LIMIT SWITCH AC/DC TYPE BG SERIES A
- No. 20 AC/DC YOUNGSTOWN LIMIT SWITCH TYPE CG SERIES B
- No. 20 AC/DC YOUNGSTOWN LIMIT SWITCH TPYE CCG SERIES B
- No. 30 YOUNGSTOWN LIMIT SWITCH TYPE DG SERIES A
- No. 30 YOUNGSTOWN LIMIT SWITCH TYPE DDG SERIES A
- No. 40 YOUNGSTOWN LIMIT STOP SINGLE TYPE EG SERIES A
- No. 40 YOUNGSTOWN LIMIT STOP DUPLEX TYPE EEG SERIES A
- No. 50 DC YOUNGSTOWN LIMIT STOP SIMPLEX TYPE FG SERIES A
- No. 50 DC YOUNGSTOWN LIMIT STOP DUPLEX TYPE FFG SERIES A

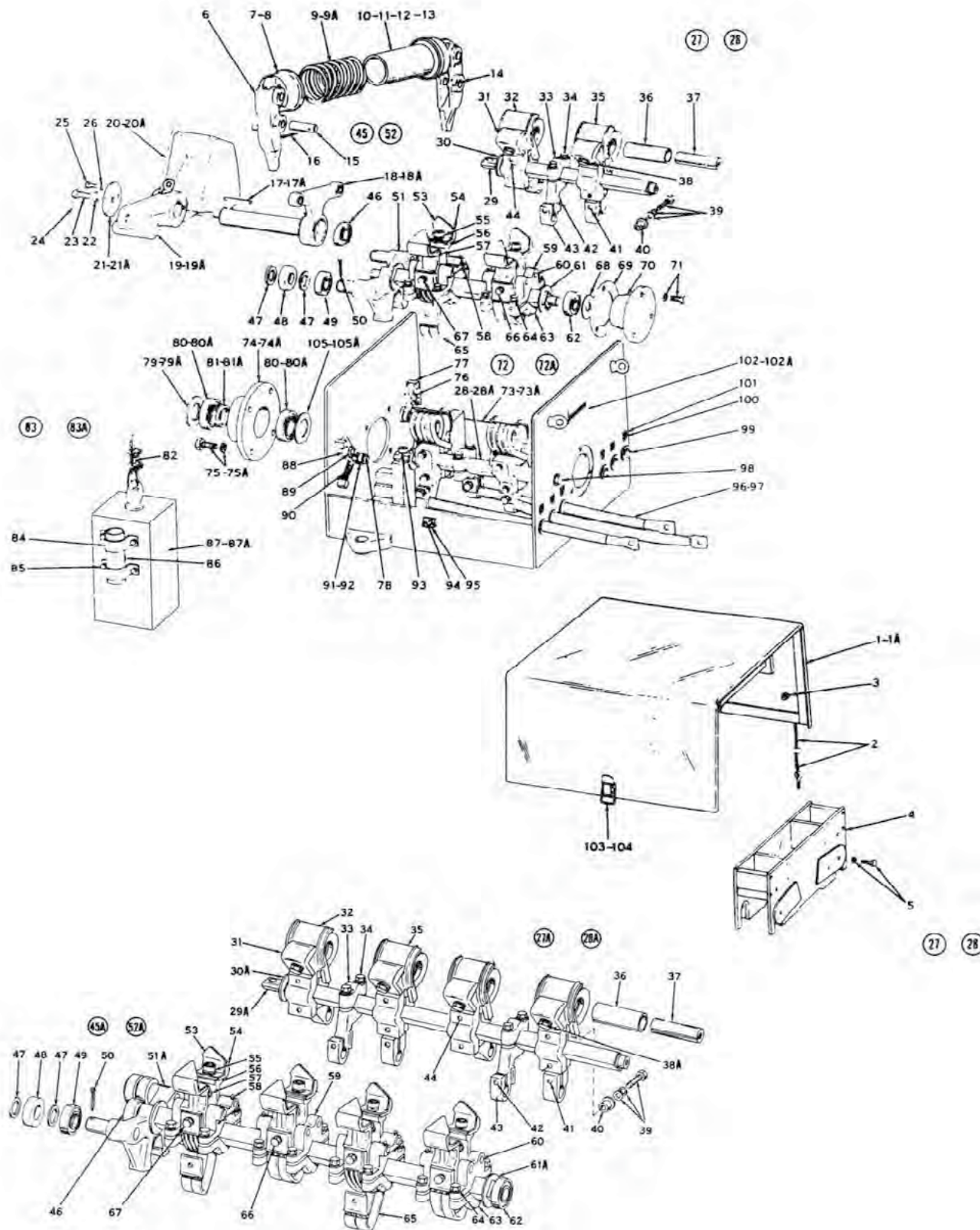
*MISCELLANEOUS*

*INDEX*

| Itm | OEM Part     | Description                    | Itm | OEM Part     | Description                    |
|-----|--------------|--------------------------------|-----|--------------|--------------------------------|
| 1   | 51066-034-51 | Hood                           | 45  | 51066-031-50 | Movable Contact Shaft Assy     |
| 2   | 51066-045-50 | Hood Chain                     | 46  | 29002-16300  | Bearing                        |
| 3   | 23001-00200  | Nut                            | 47  | 51066-030-50 | Movable Contact Assembly       |
| 3   | 23701-00200  | Pl. Lock Washer                | 48  | 51066-008-01 | Arc Horn                       |
| 4   | 51066-010-50 | Barrier                        | 49  | 21401-24280  | Cap Screw                      |
| 5   | 21401-20200  | H.I. Cap Screw                 | 49  | 50005-010-01 | Tip                            |
| 5   | 23701-00200  | Pl. Lock Washer                | 51  | X-2139       | Auxiliary Arm                  |
| 6   | X-2118-A     | Trip Lever                     | 52  | X-2188       | Contact Spring                 |
| 7   | 21401-24280  | Cap Screw                      | 53  | X-2138       | Auxiliary Arm Bracket          |
| 7   | X-2281-A     | Spring Seat                    | 54  | 24201-06320  | Cotter Pin                     |
| 8   | 29005-40241  | Bearing                        | 55  | X-2180       | Auxiliary Arm Pin              |
| 9   | X-3187       | Operating Spring               | 56  | A-2258-A     | Shaft Insultaor                |
| 10  | X-2280-A     | Spring Retainer                | 57  | 29002-16300  | Bearing                        |
| 11  | X-2280-A     | Spring Retainer                | 58  | X-2140       | Clamp                          |
| 12  | X-2280-A     | Spring Retainer                | 59  | 21401-22400  | H.I. Cap Screw                 |
| 13  | X-2280-A     | Spring Retainer                | 60  | X-2342-A     | Rocker Arm Assembly            |
| 14  | X-2117-A     | Trip Lever                     | 61  | 24201-08480  | Cotter Pin                     |
| 15  | X-2179       | Pin                            | 62  | 29002-16300  | Bearing                        |
| 16  | 24201-08480  | Cotter Pin                     | 63  | X-2332       | Washer                         |
| 17  | X-2261       | Key                            | 64  | 29005-63640  | Roller                         |
| 18  | X-2341-A     | Operating Arm Complete         | 65  | X-2109-A     | Connector                      |
| 19  | X-2349-A     | Weight Arm                     | 66  | 21401-24320  | Cap Screw                      |
| 20  | X-2351-A     | Weight Arm                     | 67  | X-2334       | Washer                         |
| 21  | X-2324       | Cap                            | 68  | X-3354       | Shim                           |
| 22  | 23701-00280  | Pl. Lock Washer                | 69  | X-2316       | Bearing Housing                |
| 23  | X-2319       | Cap Screw                      | 72  | 51066-041-50 | Frame Assembly                 |
| 25  | X-2222       | Special Cap Screw              | 73  | 51066-041-51 | Frame                          |
| 26  | 23701-00240  | Pl. Lock Washer                | 74  | X-2343       | Bearing Housing                |
| 27  | 51066-032-50 | Stat. Contact Shaft Assy, R.H. | 75  | 21402-29400  | Socket Head Cap                |
| 28  | 51066-032-51 | Stat. Contact Shaft Assy, L.H. | 75  | 23701-00280  | Pl. Lock Washer                |
| 29  | X-2243       | Shaft                          | 77  | 24201-06240  | Cotter Pin                     |
| 30  | X-2257-A     | Shaft Insulator                | 78  | 24201-06320  | Cotter Pin                     |
| 31  | 50005-010-01 | Tip                            | 79  | X-2120-A     | Locking Arm, right side        |
| 32  | 51066-030-51 | Blowout Coil & Contact Bracket | 80  | X-2318       | Washer                         |
| 33  | X-2145       | Terminal Bracket               | 81  | 29002-37320  | Bearing                        |
| 34  | X-2141       | Clamp                          | 82  | X-2317       | Spacer                         |
| 35  | 51066-030-52 | Blowout Coil & Contact Bracket | 89  | X-2119-A     | Locking Arm, left side         |
| 36  | 50512-001-21 | Insulating Washer              | 90  | X-2170       | Washer, for Locking Arm        |
| 37  | 51066-014-01 | Blowout Core                   | 91  | X-2276       | Spring                         |
| 38  | 50512-052-05 | Blowout Core Insulator         | 92  | X-2173       | Washer, for Locking Arm Roller |
| 39  | 21401-24560  | Cap                            | 93  | X-2175       | Roller, for Locking Arm        |
| 39  | 21401-22640  | Cap                            | 94  | 21402-29400  | Socket Head Cap                |
| 39  | 21401-22680  | Cap Screw                      | 96  | 29499-00800  | Hood Fastner Strike            |
| 39  | 23601-00220  | Washer                         | 97  | 21417-16120  | Self-Tapping Screw             |
| 39  | 23701-00220  | Lock Washer                    | 98  | X-2163       | Grommet                        |
| 40  | 23701-00240  | Pl. Lock Washer                | 99  | 51066-012-50 | Lead                           |
| 40  | 23601-00240  | Washer                         | 100 | 51066-012-51 | Cable                          |
| 41  | 21401-22640  | Cap                            | 101 | 21401-24320  | Cap Screw                      |
| 41  | 23601-00240  | Washer                         | 103 | 21008-04060  | Drive Screw                    |
| 41  | 23701-00240  | Pl. Lock Washer                | 105 | 29499-00500  | Spring Catch                   |
| 42  | 23601-00220  | Washer                         | 106 | 24101-12100  | Rivet                          |
| 42  | 23701-00220  | Lock Washer                    |     |              |                                |
| 42  | 21401-22660  | Cap Screw                      |     |              |                                |
| 43  | 23701-00220  | Lock Washer                    |     |              |                                |
| 43  | 23601-00220  | Washer                         |     |              |                                |
| 44  | 23701-00240  | Pl. Lock Washer                |     |              |                                |
| 44  | 21401-24280  | Cap Screw                      |     |              |                                |



## NO. 30 AC/DC YOUNGSTOWN LIMIT SWITCH SERIES A



This document utilizes an interactive table of contents to help you jump from one section to another. Click the button to return to the table of contents.

**RETURN TO  
TABLE OF CONTENTS**

*BRAKES**CONTACTORS**SAFETY LIMIT STOPS*

- No. 10 YOUNGSTOWN LIMIT STOP
- No. 20 YOUNGSTOWN LIMIT SWITCH
- No. 30 YOUNGSTOWN LIMIT SWITCH
- No. 10 YOUNGSTOWN LIMIT SWITCH AC/DC TYPE BG SERIES A
- No. 20 AC/DC YOUNGSTOWN LIMIT SWITCH TYPE CG SERIES B
- No. 20 AC/DC YOUNGSTOWN LIMIT SWITCH TPYE CCG SERIES B
- No. 30 YOUNGSTOWN LIMIT SWITCH TYPE DG SERIES A
- No. 30 YOUNGSTOWN LIMIT SWITCH TYPE DDG SERIES A
- No. 40 YOUNGSTOWN LIMIT STOP SINGLE TYPE EG SERIES A
- No. 40 YOUNGSTOWN LIMIT STOP DUPLEX TYPE EEG SERIES A
- No. 50 DC YOUNGSTOWN LIMIT STOP SIMPLEX TYPE FG SERIES A
- No. 50 DC YOUNGSTOWN LIMIT STOP DUPLEX TYPE FFG SERIES A

*MISCELLANEOUS**INDEX*



NO. 30 YOUNGSTOWN LIMIT SWITCH TYPE DG SERIES A

This document utilizes an interactive table of contents to help you jump from one section to another. Click the button to return to the table of contents.

**RETURN TO  
TABLE OF CONTENTS**

*BRAKES*

*CONTACTORS*

*SAFETY LIMIT STOPS*

- No. 10 YOUNGSTOWN LIMIT STOP
- No. 20 YOUNGSTOWN LIMIT SWITCH
- No. 30 YOUNGSTOWN LIMIT SWITCH
- No. 10 YOUNGSTOWN LIMIT SWITCH AC/DC TYPE BG SERIES A
- No. 20 AC/DC YOUNGSTOWN LIMIT SWITCH TYPE CG SERIES B
- No. 20 AC/DC YOUNGSTOWN LIMIT SWITCH TPYE CCG SERIES B
- No. 30 YOUNGSTOWN LIMIT SWITCH TYPE DG SERIES A
- No. 30 YOUNGSTOWN LIMIT SWITCH TYPE DDG SERIES A
- No. 40 YOUNGSTOWN LIMIT STOP SINGLE TYPE EG SERIES A
- No. 40 YOUNGSTOWN LIMIT STOP DUPLEX TYPE EEG SERIES A
- No. 50 DC YOUNGSTOWN LIMIT STOP SIMPLEX TYPE FG SERIES A
- No. 50 DC YOUNGSTOWN LIMIT STOP DUPLEX TYPE FFG SERIES A

*MISCELLANEOUS*

*INDEX*

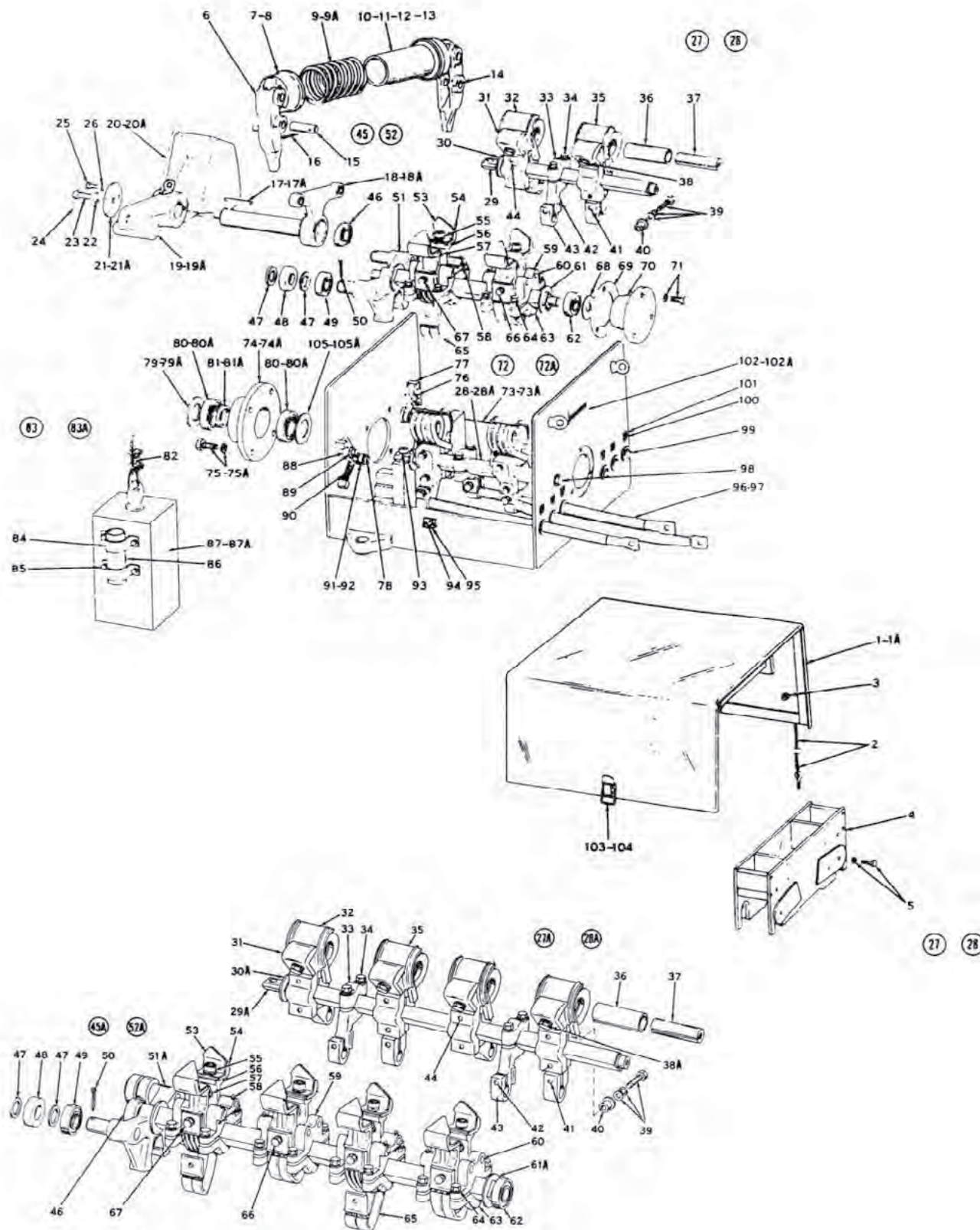
| Itm | OEM Part     | Description                    | Itm | OEM Part     | Description                    |
|-----|--------------|--------------------------------|-----|--------------|--------------------------------|
| 1   | 51067-028-50 | Hood                           | 51  | X-3313-A     | Rocker Arm Assembly            |
| 2   | X-2127-A     | Hood Chain                     | 52  | 51067-032-50 | Movable Contact Assembly       |
| 3   | 23001-00200  | Nut                            | 53  | 51067-008-01 | Arc Horn                       |
| 4   | 51067-010-50 | Arc Barrier                    | 54  | 50005-017-01 | Contact                        |
| 5   | 21401-20200  | H.I. Cap Screw                 | 55  | 23601-00280  | Washer                         |
| 6   | X-2118-A     | Trip Lever                     | 55  | 23701-00280  | Pl. Lock Washer                |
| 7   | X-2281-A     | Spring Seat                    | 56  | X-3139       | Auxiliary Arm                  |
| 8   | FP-24C19     | Oilite Bearing                 | 57  | X-3188       | Contact Spring                 |
| 9   | X-3187       | Operating Spring               | 58  | 24201-08401  | Cotter Pin                     |
| 10  | X-2280-A     | Spring Retainer                | 59  | X-3138       | Auxiliary Arm Bracket          |
| 11  | X-2280-A     | Spring Retainer                | 60  | X-3180       | Auxiliary Arm Pin              |
| 12  | X-2280-A     | Spring Retainer                | 61  | X-3229-A     | Shaft Insulator                |
| 13  | X-2280-A     | Spring Retainer                | 62  | FP-24K11     | Bearing                        |
| 14  | X-2117-A     | Trip Lever                     | 63  | X-3140       | Clamp                          |
| 15  | X-2179       | Pin                            | 64  | 23701-00240  | Pl. Lock Washer                |
| 16  | 24201-08480  | Cotter Pin                     | 64  | 21401-24480  | H.I. Cap Screw                 |
| 17  | X-2194       | Key                            | 65  | X-3109-A     | Connector                      |
| 18  | X-2313-A     | Arm                            | 66  | 21401-24400  | H.I. Cap Screw                 |
| 19  | X-3316-A     | Weight Arm                     | 66  | 23701-00240  | Pl. Lock Washer                |
| 20  | X-3318-A     | Weight Arm                     | 67  | 23701-00240  | Pl. Lock Washer                |
| 21  | X-2324       | Cap                            | 67  | 21401-24320  | Cap Screw                      |
| 22  | 23701-00280  | Pl. Lock Washer                | 70  | X-2316       | Bearing Housing                |
| 23  | X-2319       | Cap Screw                      | 71  | 23701-00240  | Pl. Lock Washer                |
| 25  | X-2222       | Special Cap Screw              | 71  | 21401-24320  | Cap Screw                      |
| 26  | 23701-00240  | Pl. Lock Washer                | 72  | 51067-015-50 | Frame Assembly                 |
| 27  | 51067-029-50 | Stat. Contact Shaft Assy. R.H. | 73  | 51067-015-51 | Frame                          |
| 28  | 51067-029-51 | Stat. Contact Shaft Assy. L.H. | 74  | X-2343       | Bearing Housing                |
| 29  | X-3150       | Stationary Contact Shaft       | 75  | 21402-29400  | Socket Head Cap                |
| 30  | X-3228-A     | Shaft Insulator                | 75  | 23701-00280  | Pl. Lock Washer                |
| 31  | 50005-017-01 | Contact                        | 76  | 24201-06320  | Cotter Pin                     |
| 32  | X-3208-A     | Blowout Coil & Contact Bracket | 77  | X-2120-A     | Locking Arm, right side        |
| 33  | X-3141       | Clamp                          | 78  | 24201-06240  | Cotter Pin                     |
| 34  | 23601-00240  | Washer                         | 79  | X-2318       | Washer                         |
| 34  | 21401-24640  | Cap Screw                      | 80  | FP-24K10     | Bearing                        |
| 34  | 23701-00240  | Pl. Lock Washer                | 81  | X-2317       | Spacer                         |
| 35  | X-3209-A     | Blowout Coil & Contact Bracket | 82  | X-2125-A     | Wire Rope                      |
| 36  | 50512-052-06 | Blowout Core Insulator         | 83  | X-3126-A     | Suspended Weight Assembly      |
| 37  | 51067-014-01 | Blowout Core                   | 84  | X-2159       | Clamp                          |
| 38  | 21401-28400  | Cap Screw                      | 85  | 21401-24320  | Cap Screw                      |
| 38  | 23601-00280  | Washer                         | 85  | 23701-00240  | Pl. Lock Washer                |
| 39  | 21401-24640  | Cap Screw                      | 86  | X-2167       | Rope Guide                     |
| 39  | 23701-00240  | Pl. Lock Washer                | 87  | X-3129-A     | Weight                         |
| 39  | 23601-00240  | Washer                         | 88  | X-2119-A     | Locking Arm, left side         |
| 40  | 24201-08480  | Cotter Pin                     | 89  | X-2170       | Washer, for Locking Arm        |
| 40  | X-3186       | Insulating Bushing             | 90  | X-2276       | Spring                         |
| 41  | 23701-00240  | Pl. Lock Washer                | 91  | X-2173       | Washer, for Locking Arm Roller |
| 41  | 23601-00240  | Washer                         | 92  | X-2175       | Roller, for Locking Arm        |
| 41  | 21401-24640  | Cap Screw                      | 93  | 23701-00280  | Pl. Lock Washer                |
| 42  | 21401-24660  | H. St. Cap                     | 93  | 21402-29400  | Socket Head Cap                |
| 42  | 23701-00240  | Pl. Lock Washer                | 94  | 29499-00800  | Hood Fastner Strike            |
| 42  | 23601-00240  | Washer                         | 95  | 21417-16200  | Self-Tapping Screw             |
| 43  | X-3145       | Terminal Bracket               | 96  | 51067-012-50 | Lead                           |
| 44  | 23701-00240  | Pl. Lock Washer                | 98  | 23701-00240  | Pl. Lock Washer                |
| 44  | 21401-24680  | Cap Screw                      | 98  | 21401-24320  | Cap Screw                      |
| 44  | 23601-00240  | Washer                         | 99  | X-3164       | Grommet                        |
| 45  | 51067-030-50 | Moveable Contact Shaft Assy.   | 101 | 21515-08060  | Drive Screw                    |
| 46  | FP-24K11     | Bearing                        | 103 | 29499-00500  | Spring Catch                   |
| 47  | X-2332       | Washer                         | 104 | 24101-12100  | Rivet                          |
| 48  | FP-24C42     | Roller                         | 105 | X-2337       | Shim                           |
| 49  | FP-24K11     | Bearing                        |     |              |                                |

O.C.C.

Replacement Parts For

SQUARE-D

NO. 30 AC/DC YOUNGSTOWN LIMIT SWITCH SERIES A



This document utilizes an interactive table of contents to help you jump from one section to another. Click the button to return to the table of contents.

**RETURN TO  
TABLE OF CONTENTS**

*BRAKES*

*CONTACTORS*

*SAFETY LIMIT STOPS*

- No. 10 YOUNGSTOWN LIMIT STOP
- No. 20 YOUNGSTOWN LIMIT SWITCH
- No. 30 YOUNGSTOWN LIMIT SWITCH
- No. 10 YOUNGSTOWN LIMIT SWITCH AC/DC TYPE BG SERIES A
- No. 20 AC/DC YOUNGSTOWN LIMIT SWITCH TYPE CG SERIES B
- No. 20 AC/DC YOUNGSTOWN LIMIT SWITCH TPYE CCG SERIES B
- No. 30 YOUNGSTOWN LIMIT SWITCH TYPE DG SERIES A
- No. 30 YOUNGSTOWN LIMIT SWITCH TYPE DDG SERIES A
- No. 40 YOUNGSTOWN LIMIT STOP SINGLE TYPE EG SERIES A
- No. 40 YOUNGSTOWN LIMIT STOP DUPLEX TYPE EEG SERIES A
- No. 50 DC YOUNGSTOWN LIMIT STOP SIMPLEX TYPE FG SERIES A
- No. 50 DC YOUNGSTOWN LIMIT STOP DUPLEX TYPE FFG SERIES A

*MISCELLANEOUS*

*INDEX*

NO. 30 YOUNGSTOWN LIMIT SWITCH TYPE DDG SERIES A

This document utilizes an interactive table of contents to help you jump from one section to another. Click the button to return to the table of contents.

**RETURN TO  
TABLE OF CONTENTS**

*BRAKES*

*CONTACTORS*

*SAFETY LIMIT STOPS*

- No. 10 YOUNGSTOWN LIMIT STOP
- No. 20 YOUNGSTOWN LIMIT SWITCH
- No. 30 YOUNGSTOWN LIMIT SWITCH
- No. 10 YOUNGSTOWN LIMIT SWITCH AC/DC TYPE BG SERIES A
- No. 20 AC/DC YOUNGSTOWN LIMIT SWITCH TYPE CG SERIES B
- No. 20 AC/DC YOUNGSTOWN LIMIT SWITCH TPYE CCG SERIES B
- No. 30 YOUNGSTOWN LIMIT SWITCH TYPE DG SERIES A
- No. 30 YOUNGSTOWN LIMIT SWITCH TYPE DDG SERIES A
- No. 40 YOUNGSTOWN LIMIT STOP SINGLE TYPE EG SERIES A
- No. 40 YOUNGSTOWN LIMIT STOP DUPLEX TYPE EEG SERIES A
- No. 50 DC YOUNGSTOWN LIMIT STOP SIMPLEX TYPE FG SERIES A
- No. 50 DC YOUNGSTOWN LIMIT STOP DUPLEX TYPE FFG SERIES A

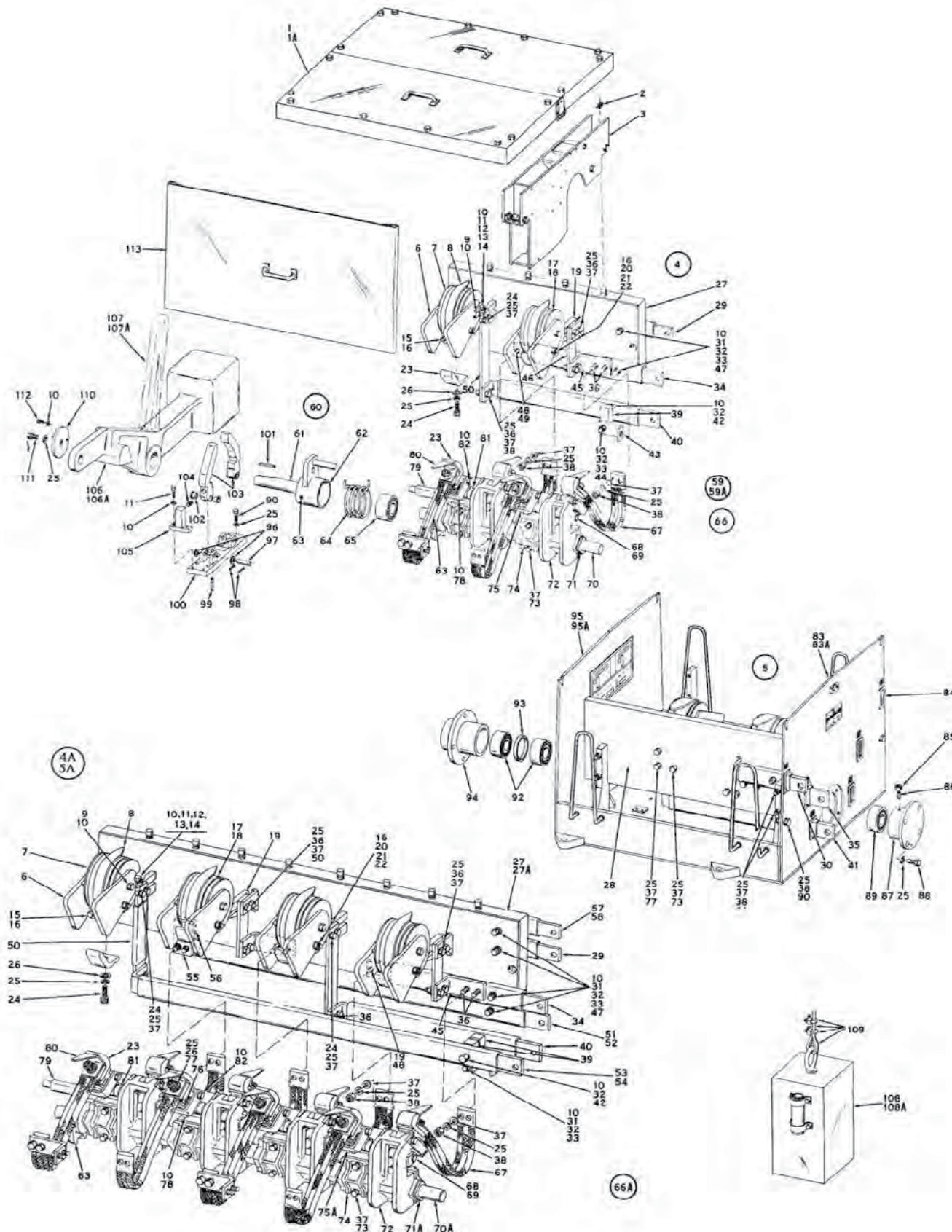
*MISCELLANEOUS*

*INDEX*

| Itm | OEM Part     | Description                    | Itm | OEM Part     | Description                    |
|-----|--------------|--------------------------------|-----|--------------|--------------------------------|
| 1   | 51067-034-50 | Hood                           | 60  | X-3180       | Auxiliary Arm Pin              |
| 2   | X-2127-A     | Hood Chain                     | 61  | X-3258-A     | Shaft Insulator                |
| 3   | 23701-00200  | Pl. Lk. Washer                 | 63  | X-3140       | Clamp                          |
| 3   | 23001-00200  | Nut                            | 64  | 21401-24480  | H.I. Cap Screw                 |
| 4   | 51067-010-50 | Arc Barrier                    | 65  | X-3109-A     | Connector                      |
| 5   | 21401-20200  | H.I. Cap Screw                 | 66  | 21401-24400  | H.I. Cap Screw                 |
| 6   | X-2118-A     | Trip Lever                     | 67  | 21401-24320  | Cap Screw                      |
| 7   | X-2281-A     | Spring Seat                    | 68  | X-2334       | Washer                         |
| 8   | FP-24C19     | Oilite Bearing                 | 69  | X-3354       | Shim                           |
| 11  | X-2280-A     | Spring Retainer                | 70  | X-2316       | Bearing Housing                |
| 14  | X-2117-A     | Trip Lever                     | 72  | 51067-023-50 | Frame Assembly                 |
| 15  | X-2179       | Pin                            | 73  | 51067-023-51 | Frame                          |
| 16  | 24201-08480  | Cotter Pin                     | 74  | X-3330       | Bearing Housing                |
| 17  | X-2261       | Key                            | 75  | 21402-29480  | Cap Screw                      |
| 18  | X-3328-A     | Operating Arm                  | 76  | 24201-06320  | Cotter Pin                     |
| 19  | X-3336-A     | Weight Arm                     | 77  | X-2120-A     | Locking Arm                    |
| 20  | X-3338-A     | Weight Arm                     | 78  | 24201-06240  | Cotter Pin                     |
| 21  | X-3332       | Cap Washer                     | 79  | X-3339       | Washer                         |
| 22  | 23701-00280  | Pl. Lock Washer                | 80  | FP-24K12     | Bearing                        |
| 23  | X-2319       | Cap Screw                      | 81  | X-3340       | Spacer                         |
| 25  | X-2222       | Special Cap Screw              | 82  | X-2125-A     | Wire Rope                      |
| 26  | 23701-00240  | Pl. Lk. Washer                 | 83  | X-3254-A     | Suspended Weight Assembly      |
| 27  | 51067-036-50 | Stationary Contact Shaft Assy. | 84  | X-2159       | Clamp                          |
| 28  | 51067-036-51 | Stationary Contact Shaft Assy. | 86  | X-2167       | Rope Guide                     |
| 29  | X-3243       | Shaft                          | 87  | X-3253-A     | Weight                         |
| 30  | X-3257-A     | Shaft Insulator                | 88  | X-2119-A     | Locking Arm, left side         |
| 31  | 50005-017-01 | Contact                        | 89  | X-2170       | Washer, for Locking Arm        |
| 32  | X-3208-A     | Blowout Coil & Contact Bracket | 90  | X-2276       | Spring                         |
| 33  | X-3141       | Clamp                          | 91  | X-2173       | Washer, for Locking Arm Roller |
| 34  | 23601-00240  | Washer                         | 92  | X-2175       | Roller, for Locking Arm        |
| 34  | 21401-24640  | Cap Screw                      | 93  | 21402-29400  | Socket Head Cap                |
| 35  | X-3209-A     | Blowout Coil & Contact Bracket | 94  | 29499-00800  | Hood Fastener Strike           |
| 36  | 50512-052-06 | Blowout Core Insulator         | 95  | 21417-16200  | Self-Tapping Screw             |
| 37  | 51067-014-01 | Blowout Core                   | 96  | 51067-012-50 | Lead                           |
| 38  | 23601-00280  | Washer                         | 97  | 51067-012-51 | Cable                          |
| 38  | 21401-28400  | Cap Screw                      | 99  | X-3164       | Grommet                        |
| 40  | X-3186       | Insulating Bushing             | 100 | 203          | Identification Plate           |
| 42  | 21401-24660  | H. St. Cap                     | 101 | 21515-08060  | Drive Screw                    |
| 43  | X-3145       | Terminal Bracket               | 103 | 29499-00500  | Spring Catch                   |
| 44  | 21401-24680  | Cap Screw                      | 104 | 24101-12100  | Rivet                          |
| 45  | 51067-035-50 | Movable Contact Shaft Assy.    | 105 | 50502-005-32 | Shim                           |
| 46  | FP-24K11     | Bearing                        |     |              |                                |
| 47  | X-2332       | Washer                         |     |              |                                |
| 48  | FP-24C42     | Roller                         |     |              |                                |
| 51  | X-3329-A     | Rocker Arm Assembly            |     |              |                                |
| 52  | 51067-032-50 | Movable Contact Assembly       |     |              |                                |
| 53  | 51067-008-01 | Arc Horn                       |     |              |                                |
| 56  | X-3139       | Auxiliary Arm                  |     |              |                                |
| 57  | X-3188       | Contact Spring                 |     |              |                                |
| 58  | 24201-08401  | Cotter Pin                     |     |              |                                |
| 59  | X-3138       | Auxiliary Arm Bracket          |     |              |                                |



## NO. 40 DC YOUNSTOWN LIMIT STOP TYPE EG SERIES A



This document utilizes an interactive table of contents to help you jump from one section to another. Click the button to return to the table of contents.

## RETURN TO TABLE OF CONTENTS

### BRAKES

### CONTACTORS

### SAFETY LIMIT STOPS

- No. 10 YOUNGSTOWN LIMIT STOP
- No. 20 YOUNGSTOWN LIMIT SWITCH
- No. 30 YOUNGSTOWN LIMIT SWITCH
- No. 10 YOUNGSTOWN LIMIT SWITCH AC/DC TYPE BG SERIES A
- No. 20 AC/DC YOUNGSTOWN LIMIT SWITCH TYPE CG SERIES B
- No. 20 AC/DC YOUNGSTOWN LIMIT SWITCH TPYE CCG SERIES B
- No. 30 YOUNGSTOWN LIMIT SWITCH TYPE DG SERIES A
- No. 30 YOUNGSTOWN LIMIT SWITCH TYPE DDG SERIES A
- No. 40 YOUNGSTOWN LIMIT STOP SINGLE TYPE EG SERIES A
- No. 40 YOUNGSTOWN LIMIT STOP DUPLEX TYPE EEG SERIES A
- No. 50 DC YOUNGSTOWN LIMIT STOP SIMPLEX TYPE FG SERIES A
- No. 50 DC YOUNGSTOWN LIMIT STOP DUPLEX TYPE FFG SERIES A

### MISCELLANEOUS

### INDEX



NO. 40 YOUNGSTOWN LIMIT STOP SINGLE TYPE EG SERIES A

This document utilizes an interactive table of contents to help you jump from one section to another. Click the button to return to the table of contents.

**RETURN TO  
TABLE OF CONTENTS**

*BRAKES*

*CONTACTORS*

*SAFETY LIMIT STOPS*

- No. 10 YOUNGSTOWN LIMIT STOP
- No. 20 YOUNGSTOWN LIMIT SWITCH
- No. 30 YOUNGSTOWN LIMIT SWITCH
- No. 10 YOUNGSTOWN LIMIT SWITCH AC/DC TYPE BG SERIES A
- No. 20 AC/DC YOUNGSTOWN LIMIT SWITCH TYPE CG SERIES B
- No. 20 AC/DC YOUNGSTOWN LIMIT SWITCH TPYE CCG SERIES B
- No. 30 YOUNGSTOWN LIMIT SWITCH TYPE DG SERIES A
- No. 30 YOUNGSTOWN LIMIT SWITCH TYPE DDG SERIES A
- No. 40 YOUNGSTOWN LIMIT STOP SINGLE TYPE EG SERIES A
- No. 40 YOUNGSTOWN LIMIT STOP DUPLEX TYPE EEG SERIES A
- No. 50 DC YOUNGSTOWN LIMIT STOP SIMPLEX TYPE FG SERIES A
- No. 50 DC YOUNGSTOWN LIMIT STOP DUPLEX TYPE FFG SERIES A

*MISCELLANEOUS*

*INDEX*

| Itm | OEM Part     | Description                 | Itm | OEM Part     | Description               |
|-----|--------------|-----------------------------|-----|--------------|---------------------------|
| 1   | 51068-007-50 | Top Cover                   | 67  | 51068-058-50 | Connector Assembly        |
| 2   | RS-130       | Special Cotter              | 68  | L-6056       | Auxiliary Arm Pin         |
| 3   | 51068-046-50 | Arc Chute                   | 69  | LT-3394      | Set Screw                 |
| 4   | 51068-032-51 | Stationary Contact Assembly | 70  | 51068-017-01 | Shaft                     |
| 5   | 51068-032-50 | Stationary Contact Assembly | 71  | 50512-251-24 | Shaft Insulator           |
| 6   | 51068-039-50 | Blowout Ear                 | 72  | 51068-018-50 | Contact Arm Assembly      |
| 7   | 50512-001-27 | Blowout Insulating Washer   | 73  | 21401-28680  | Cap Screw                 |
| 8   | 51068-038-50 | Blowout Guard               | 74  | 51068-019-01 | Contact Arm Clamp         |
| 9   | 21401-24280  | Cap Screw                   | 75  | 51031-035-50 | Contact Spring Bracket    |
| 10  | 23701-00240  | Pl. Lk. Washer              | 76  | 50502-601-34 | Contact Spring            |
| 11  | 21401-24400  | H.I. Cap Screw              | 77  | 21401-28660  | Cap Screw                 |
| 12  | 23601-00240  | Washer                      | 78  | 23003-00240  | Jam Nut                   |
| 13  | 50512-051-01 | Spacer                      | 79  | 51068-026-50 | Rocker Arm Assembly       |
| 14  | 50512-001-25 | Insulating Washer           | 80  | 51068-025-01 | Arc Horn                  |
| 15  | 21601-20240  | Cap Screw                   | 81  | 51068-021-01 | Auxiliary Arm             |
| 16  | 23701-00200  | Pl. Lk. Washer              | 82  | 21401-24240  | H.I. Cap Screw            |
| 17  | 50502-776-11 | Blowout Core                | 83  | 51068-010-50 | Rear Panel Assembly       |
| 18  | 50512-052-16 | Insulator for Blowout Core  | 84  | 51202-062-01 | Gasket                    |
| 19  | 51068-036-50 | Contact Bracket Assembly    | 85  | 23003-00200  | Hex Jam Nut               |
| 20  | 50502-103-12 | Stud                        | 86  | 22003-20241  | Set Screw                 |
| 21  | 51068-040-01 | Blowout Ear Spacer          | 87  | 51068-012-01 | Bearing Housing           |
| 22  | 23002-00220  | H.I. Nut                    | 88  | 21402-29480  | Cap Screw                 |
| 23  | 50005-015-01 | Contact Tip                 | 89  | FP-24H24     | Bearing                   |
| 24  | 21601-28480  | Cap Screw                   | 90  | 21401-28400  | Cap Screw                 |
| 25  | 23701-00280  | Pl. Lock Washer             | 91  | 21401-28760  | Cap Screw                 |
| 26  | 23601-00282  | Washer                      | 92  | FP-24H25     | Bearing                   |
| 27  | 51068-034-50 | Base, R.H.                  | 92  | FP-24H25     | Bearing                   |
| 28  | 51068-033-50 | Base, L.H.                  | 93  | 50502-053-21 | Bearing Spacer            |
| 29  | 51068-042-50 | Bus Bar, R.H.               | 94  | 51068-011-01 | Front Bearing Housing     |
| 30  | 51068-043-50 | Bus Bar, L.H.               | 95  | 51068-005-50 | Frame Assembly            |
| 31  | 21401-24740  | Cap Screw                   | 97  | 50502-276-31 | Pivot Pin                 |
| 32  | 23601-00240  | Washer                      | 98  | 24201-06320  | Cotter Pin                |
| 33  | 23002-00240  | H.I. Nut                    | 99  | 24209-32480  | Roll Pin                  |
| 34  | 51068-022-50 | Bus Bar, R.H.               | 100 | 51068-013-50 | Base Assembly             |
| 35  | 51068-022-51 | Bus Bar, L.H.               | 101 | 50502-407-22 | Key                       |
| 36  | 21401-28560  | Cap Screw                   | 102 | FP-24B35     | Oilite Bearing            |
| 36  | 23602-13209  | Washer                      | 103 | 51068-031-01 | Latch Arm                 |
| 37  | 23601-00280  | Washer                      | 104 | 50502-601-37 | Latch Arm Spring          |
| 38  | 23002-00280  | Nut                         | 105 | 51068-045-01 | Stop Plate                |
| 39  | 51068-014-50 | Bus Bar Support             | 106 | 51068-053-50 | Weight Arm Assembly       |
| 40  | 51068-041-50 | Bus Bar, R.H.               | 107 | 51068-059-50 | Weight Arm Assembly       |
| 41  | 51068-041-51 | Bus Bar, L.H.               | 108 | 51068-055-50 | Suspended Weight Assembly |
| 42  | 21401-24480  | H.I. Cap Screw              | 109 | 51068-056-50 | Wire Rope & Fittings      |
| 43  | 51068-009-01 | Bus Support                 | 110 | X-3332       | Cap Washer                |
| 44  | 21401-24660  | H. St. Cap                  | 111 | X-2319       | Cap Screw                 |
| 45  | 51068-022-03 | Bus Bar                     | 112 | X-2222       | Special Cap Screw         |
| 46  | 51068-044-01 | Bus Bar                     | 113 | 51068-051    | Side Cover Assembly       |
| 47  | 23003-00280  | Jam Nut                     |     |              |                           |
| 48  | 21401-28800  | Cap Screw                   |     |              |                           |
| 49  | 23002-00320  | Nut                         |     |              |                           |
| 50  | 51068-041-01 | Bus Bar                     |     |              |                           |
| 59  | 51068-015-51 | Contact Shaft Assembly      |     |              |                           |
| 60  | 51068-027-50 | Trip Assembly               |     |              |                           |
| 61  | 51068-028-01 | Shaft                       |     |              |                           |
| 62  | 51068-029-01 | Operating Arm               |     |              |                           |
| 64  | 51068-030-01 | Torsion Spring              |     |              |                           |
| 65  | FP-24H24     | Bearing                     |     |              |                           |
| 66  | 51068-016-51 | Contact Shaft Assembly      |     |              |                           |

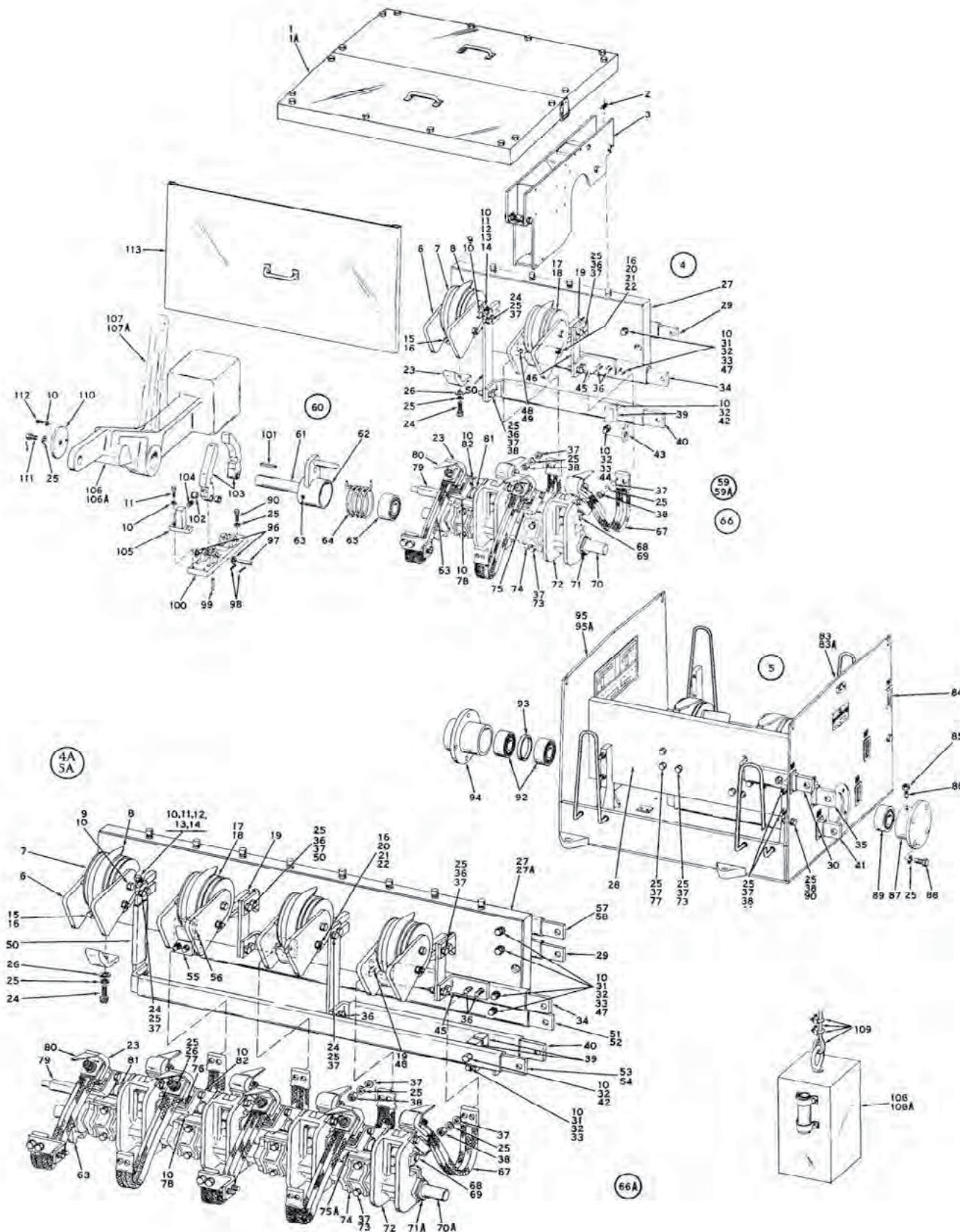
O.C.C.

Replacement Parts For

SQUARE-D

NO. 40 DC YOUNGSTOWN LIMIT STOP DUPLEX

TYPE EEG SERIES A



This document utilizes an interactive table of contents to help you jump from one section to another. Click the button to return to the table of contents.

**RETURN TO  
TABLE OF CONTENTS**

*BRAKES*

*CONTACTORS*

*SAFETY LIMIT STOPS*

- No. 10 YOUNGSTOWN LIMIT STOP
- No. 20 YOUNGSTOWN LIMIT SWITCH
- No. 30 YOUNGSTOWN LIMIT SWITCH
- No. 10 YOUNGSTOWN LIMIT SWITCH AC/DC TYPE BG SERIES A
- No. 20 AC/DC YOUNGSTOWN LIMIT SWITCH TYPE CG SERIES B
- No. 20 AC/DC YOUNGSTOWN LIMIT SWITCH TPYE CCG SERIES B
- No. 30 YOUNGSTOWN LIMIT SWITCH TYPE DG SERIES A
- No. 30 YOUNGSTOWN LIMIT SWITCH TYPE DDG SERIES A
- No. 40 YOUNGSTOWN LIMIT STOP SINGLE TYPE EG SERIES A
- No. 40 YOUNGSTOWN LIMIT STOP DUPLEX TYPE EEG SERIES A
- No. 50 DC YOUNGSTOWN LIMIT STOP SIMPLEX TYPE FG SERIES A
- No. 50 DC YOUNGSTOWN LIMIT STOP DUPLEX TYPE FFG SERIES A

*MISCELLANEOUS*

*INDEX*

NO. 40 YOUNGSTOWN LIMIT STOP DUPLEX TYPE EEG SERIES A

This document utilizes an interactive table of contents to help you jump from one section to another. Click the button to return to the table of contents.

**RETURN TO  
TABLE OF CONTENTS**

*BRAKES*

*CONTACTORS*

*SAFETY LIMIT STOPS*

- No. 10 YOUNGSTOWN LIMIT STOP
- No. 20 YOUNGSTOWN LIMIT SWITCH
- No. 30 YOUNGSTOWN LIMIT SWITCH
- No. 10 YOUNGSTOWN LIMIT SWITCH AC/DC TYPE BG SERIES A
- No. 20 AC/DC YOUNGSTOWN LIMIT SWITCH TYPE CG SERIES B
- No. 20 AC/DC YOUNGSTOWN LIMIT SWITCH TPYE CCG SERIES B
- No. 30 YOUNGSTOWN LIMIT SWITCH TYPE DG SERIES A
- No. 30 YOUNGSTOWN LIMIT SWITCH TYPE DDG SERIES A
- No. 40 YOUNGSTOWN LIMIT STOP SINGLE TYPE EG SERIES A
- No. 40 YOUNGSTOWN LIMIT STOP DUPLEX TYPE EEG SERIES A
- No. 50 DC YOUNGSTOWN LIMIT STOP SIMPLEX TYPE FG SERIES A
- No. 50 DC YOUNGSTOWN LIMIT STOP DUPLEX TYPE FFG SERIES A

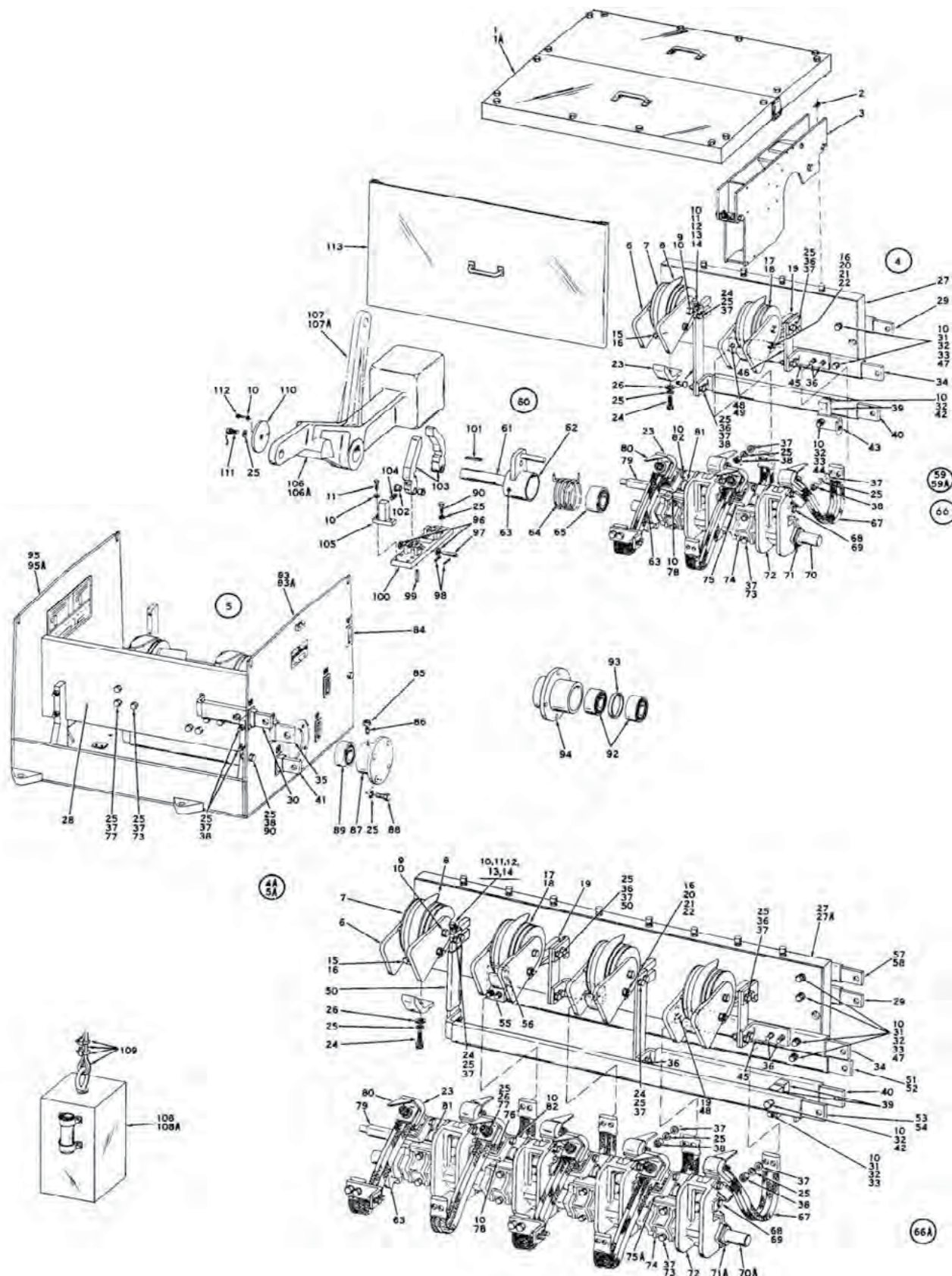
*MISCELLANEOUS*

*INDEX*

| Itm | OEM Part     | Description                 | Itm  | OEM Part     | Description               |
|-----|--------------|-----------------------------|------|--------------|---------------------------|
| 1A  | 51068-084-50 | Top Cover                   | 59A  | 51068-085-51 | Contact Shaft Assembly    |
| 2   | RS-130       | Special Cotter              | 60   | 51068-027-50 | Trip Assembly             |
| 3   | 51068-046-50 | Arc Chute                   | 61   | 51068-028-01 | Shaft                     |
| 4A  | 51068-087-51 | Stationary Contact Assembly | 62   | 51068-029-01 | Operating Arm             |
| 5A  | 51068-087-50 | Stationary Contact Assembly | 63   | 24209-32780  | Pin                       |
| 6   | 51068-039-50 | Blowout Ear                 | 64   | 51068-030-01 | Torsion Spring            |
| 7   | 50512-001-27 | Blowout Insulating Washer   | 65   | FP-24H24     | Bearing                   |
| 8   | 51068-038-50 | Blowout Guard               | 66A  | 51068-086-51 | Contact Shaft Assembly    |
| 9   | 21401-24280  | Cap Screw                   | 67   | 51068-058-50 | Connector Assembly        |
| 10  | 23701-00240  | Pl. Lk. Washer              | 68   | L-6056       | Auxiliary Arm Pin         |
| 11  | 21401-24400  | H.I. Cap Screw              | 69   | LT-3394      | Set Screw                 |
| 12  | 23601-00240  | Washer                      | 70A  | 51068-017-02 | Shaft                     |
| 13  | 50512-051-01 | Spacer                      | 71A  | 50512-251-25 | Shaft Insulator           |
| 14  | 50512-001-25 | Insulating Washer           | 72   | 51068-018-50 | Contact Arm Assembly      |
| 15  | 21601-20240  | Cap Screw                   | 73   | 21401-28680  | Cap Screw                 |
| 16  | 23701-00200  | Pl. Lk. Washer              | 74   | 51068-019-01 | Contact Arm Clamp         |
| 17  | 50502-776-11 | Blowout Core                | 76   | 50502-601-34 | Contact Spring            |
| 18  | 50512-052-16 | Insulator for Blowout Core  | 77   | 21401-28660  | Cap Screw                 |
| 19  | 51068-036-50 | Contact Bracket Assembly    | 78   | 23003-00240  | Jam Nut                   |
| 20  | 50502-103-12 | Stud                        | 79   | 51068-026-50 | Rocker Arm Assembly       |
| 21  | 51068-040-01 | Blowout Ear Spacer          | 80   | 51068-025-01 | Arc Horn                  |
| 22  | 23002-00200  | Nut                         | 81   | 51068-021-01 | Auxiliary Arm             |
| 23  | 50005-015-01 | Contact Tip                 | 82   | 21401-24240  | H.I. Cap Screw            |
| 24  | 21601-28480  | Cap Screw                   | 83A  | 51068-010-51 | Rear Panel Assembly       |
| 25  | 23701-00280  | Pl. Lock Washer             | 84   | 51202-062-01 | Gasket                    |
| 26  | 23601-00282  | Washer                      | 85   | 23003-00200  | Hex Jam Nut               |
| 27A | 51068-089-50 | Base, R.H.                  | 86   | 22003-20241  | Set Screw                 |
| 28A | 51068-088-50 | Base, L.H.                  | 87   | 51068-012-01 | Bearing Housing           |
| 29  | 51068-042-50 | Bus Bar, R.H.               | 88   | 21402-29480  | Cap Screw                 |
| 30  | 51068-043-50 | Bus Bar, L.H.               | 89   | FP-24H24     | Bearing                   |
| 31  | 21401-24740  | Cap Screw                   | 90   | 21401-28400  | Cap Screw                 |
| 32  | 23601-00240  | Washer                      | 91   | 21401-28760  | Cap Screw                 |
| 33  | 23002-00240  | H.I. Nut                    | 92   | FP-24H25     | Bearing                   |
| 34  | 51068-022-50 | Bus Bar, R.H.               | 93   | 50502-053-21 | Bearing Spacer            |
| 35  | 51068-022-51 | Bus Bar, L.H.               | 94   | 51068-011-01 | Front Bearing Housing     |
| 36  | 21401-28560  | Cap Screw                   | 95A  | 51068-082-50 | Frame Assembly            |
| 37  | 23601-00280  | Washer                      | 96   | 23602-13209  | Washer                    |
| 38  | 23002-00280  | Nut                         | 97   | 50502-276-31 | Pivot Pin                 |
| 39  | 51068-014-50 | Bus Bar Support             | 98   | 24201-06320  | Cotter Pin                |
| 40  | 23002-00320  | Nut                         | 99   | 24209-32480  | Roll Pin                  |
| 41  | 51068-041-51 | Bus Bar, L.H.               | 100  | 51068-013-50 | Base Assembly             |
| 42  | 21401-24480  | H.I. Cap Screw              | 101  | 50502-407-22 | Key                       |
| 43  | 51068-009-01 | Bus Support                 | 102  | FP-24B35     | Oilite Bearing            |
| 44  | 21401-24660  | H. St. Cap                  | 103  | 51068-031-01 | Latch Arm                 |
| 45  | 51068-022-03 | Bus Bar                     | 104  | 50502-601-37 | Latch Arm Spring          |
| 46  | 51068-044-01 | Bus Bar                     | 105  | 51068-045-01 | Stop Plate                |
| 47  | 23003-00280  | Jam Nut                     | 106A | 51068-053-51 | Weight Arm Assembly       |
| 48  | 21401-28800  | Cap Screw                   | 107A | 51068-059-51 | Weight Arm Assembly       |
| 49  | 51068-041-50 | Bus Bar, R.H.               | 108A | 51068-055-51 | Suspended Weight Assembly |
| 50  | 51068-041-01 | Bus Bar                     | 109  | 51068-056-50 | Wire Rope & Fittings      |
| 51  | 51068-090-50 | Bus Bar, R.H.               | 110  | X-3332       | Cap Washer                |
| 52  | 51068-090-51 | Bus Bar, L.H.               | 111  | X-2319       | Cap Screw                 |
| 53  | 51068-041-52 | Bus Bar, R.H.               | 112  | X-2222       | Special Cap Screw         |
| 54  | 51068-041-53 | Bus Bar, L.H.               | 113  | 51068-051    | Side Cover Assembly       |
| 55  | 51068-066-01 | Bus Bar                     |      |              |                           |
| 56  | 50502-408-07 | Spacer                      |      |              |                           |
| 57  | 51068-091-50 | Bus Bar, R.H.               |      |              |                           |
| 58  | 51068-092-50 | Bus Bar, L.H.               |      |              |                           |



NO. 50 DC YOUNGSTOWN LIMIT STOP SIMPLEX  
SERIES A



This document utilizes an interactive table of contents to help you jump from one section to another. Click the button to return to the table of contents.

**RETURN TO  
TABLE OF CONTENTS**

*BRAKES*

*CONTACTORS*

*SAFETY LIMIT STOPS*

- No. 10 YOUNGSTOWN LIMIT STOP
- No. 20 YOUNGSTOWN LIMIT SWITCH
- No. 30 YOUNGSTOWN LIMIT SWITCH
- No. 10 YOUNGSTOWN LIMIT SWITCH AC/DC TYPE BG SERIES A
- No. 20 AC/DC YOUNGSTOWN LIMIT SWITCH TYPE CG SERIES B
- No. 20 AC/DC YOUNGSTOWN LIMIT SWITCH TPYE CCG SERIES B
- No. 30 YOUNGSTOWN LIMIT SWITCH TYPE DG SERIES A
- No. 30 YOUNGSTOWN LIMIT SWITCH TYPE DDG SERIES A
- No. 40 YOUNGSTOWN LIMIT STOP SINGLE TYPE EG SERIES A
- No. 40 YOUNGSTOWN LIMIT STOP DUPLEX TYPE EEG SERIES A
- No. 50 DC YOUNGSTOWN LIMIT STOP SIMPLEX TYPE FG SERIES A
- No. 50 DC YOUNGSTOWN LIMIT STOP DUPLEX TYPE FFG SERIES A

*MISCELLANEOUS*

*INDEX*



NO. 50 DC YOUNGSTOWN LIMIT STOP SIMPLEX TYPE FG SERIES A

| Item | OEM Part     | Description                 | Item | OEM Part     | Description               |
|------|--------------|-----------------------------|------|--------------|---------------------------|
| 1    | 51068-007-50 | Top Cover                   | 68   | L-6056       | Auxiliary Arm Pin         |
| 2    | RS-130       | Special Cotter              | 69   | LT-3394      | Set Screw                 |
| 3    | 51068-046-51 | Arc Chute                   | 70   | 51068-017-01 | Shaft                     |
| 4    | 51068-032-51 | Stationary Contact Assembly | 71   | 50512-251-24 | Shaft Insulator           |
| 5    | 51068-032-50 | Stationary Contact Assembly | 72   | 51068-018-50 | Contact Arm Assembly      |
| 6    | 51068-039-50 | Blowout Ear                 | 73   | 21401-28680  | Cap Screw                 |
| 7    | 50512-001-27 | Blowout Insulating Washer   | 74   | 51068-019-01 | Contact Arm Clamp         |
| 8    | 51068-038-50 | Blowout Guard               | 75   | 51031-035-50 | Contact Spring Bracket    |
| 9    | 21401-24280  | Cap Screw                   | 76   | 50502-601-34 | Contact Spring            |
| 10   | 23701-00240  | Pl. Lk. Washer              | 77   | 21401-28660  | Cap Screw                 |
| 11   | 21401-24400  | H.I. Cap Screw              | 78   | 23003-00240  | Jam Nut                   |
| 12   | 23601-00240  | Washer                      | 79   | 51068-026-50 | Rocker Arm Assembly       |
| 13   | 50512-051-01 | Spacer                      | 80   | 51068-025-01 | Arc Horn                  |
| 14   | 50512-001-25 | Insulating Washer           | 81   | 51068-021-01 | Auxiliary Arm             |
| 15   | 21601-20240  | Cap Screw                   | 82   | 21401-24240  | H.I. Cap Screw            |
| 16   | 23701-00200  | Pl. Lk. Washer              | 83   | 51068-010-50 | Rear Panel Assembly       |
| 17   | 50502-776-11 | Blowout Core                | 84   | 51202-062-01 | Gasket                    |
| 18   | 50512-052-16 | Insulator for Blowout Core  | 85   | 23003-00200  | Hex Jam Nut               |
| 19   | 51068-036-50 | Contact Bracket Assembly    | 86   | 22003-20241  | Set Screw                 |
| 20   | 50502-103-12 | Stud                        | 87   | 51068-012-01 | Bearing Housing           |
| 21   | 51068-040-01 | Blowout Ear Spacer          | 88   | 21402-29480  | Cap Screw                 |
| 22   | 23002-00200  | Nut                         | 89   | FP-24H24     | Bearing                   |
| 23   | 50005-015-01 | Contact Tip                 | 90   | 21401-28400  | Cap Screw                 |
| 24   | 21601-28480  | Cap Screw                   | 91   | 21401-28760  | Cap Screw                 |
| 25   | 23701-00280  | Pl. Lock Washer             | 92   | FP-24H25     | Bearing                   |
| 26   | 23601-00282  | Washer                      | 93   | 50502-053-21 | Bearing Spacer            |
| 27   | 51068-034-50 | Base, R.H.                  | 94   | 51068-011-01 | Front Bearing Housing     |
| 28   | 51068-033-50 | Base, L.H.                  | 95   | 51068-005-50 | Frame Assembly            |
| 29   | 51068-042-50 | Bus Bar, R.H.               | 96   | 23602-13209  | Washer                    |
| 30   | 51068-043-50 | Bus Bar, L.H.               | 97   | 50502-276-31 | Pivot Pin                 |
| 31   | 21401-24740  | Cap Screw                   | 98   | 24201-06320  | Cotter Pin                |
| 32   | 23003-00240  | Jam Nut                     | 99   | 24209-32480  | Roll Pin                  |
| 33   | 23002-00240  | H.I. Nut                    | 100  | 51068-013-50 | Base Assembly             |
| 34   | 51068-022-50 | Bus Bar, R.H.               | 101  | 50502-407-22 | Key                       |
| 35   | 51068-022-51 | Bus Bar, L.H.               | 102  | FP-24B35     | Oilite Bearing            |
| 36   | 21401-28560  | Cap Screw                   | 103  | 51068-031-01 | Latch Arm                 |
| 37   | 23601-00280  | Washer                      | 104  | 50502-601-37 | Latch Arm Spring          |
| 38   | 23002-00280  | Nut                         | 105  | 51068-045-01 | Stop Plate                |
| 39   | 51068-014-50 | Bus Bar Support             | 106  | 51068-053-50 | Weight Arm Assembly       |
| 40   | 51068-041-50 | Bus Bar, R.H.               | 107  | 51068-059-50 | Weight Arm Assembly       |
| 41   | 51068-041-51 | Bus Bar, L.H.               | 108  | 51068-055-50 | Suspended Weight Assembly |
| 42   | 21401-24480  | H.I. Cap Screw              | 109  | 51068-056-50 | Wire Rope & Fittings      |
| 43   | 51068-009-01 | Bus Support                 | 110  | 50502-005-21 | Washer                    |
| 44   | 21401-24660  | H. St. Cap                  | 111  | X-2319       | Cap Screw                 |
| 45   | 51068-022-03 | Bus Bar                     | 112  | X-2222       | Special Cap Screw         |
| 46   | 51068-044-01 | Bus Bar                     | 113  | 51068-051    | Side Cover Assembly       |
| 47   | 23003-00280  | Jam Nut                     |      |              |                           |
| 48   | 21401-28800  | Cap Screw                   |      |              |                           |
| 49   | 23002-00320  | Nut                         |      |              |                           |
| 50   | 51068-041-01 | Bus Bar                     |      |              |                           |
| 59   | 51068-015-51 | Contact Shaft Assembly      |      |              |                           |
| 60   | 51068-027-50 | Trip Assembly               |      |              |                           |
| 61   | 51068-028-01 | Shaft                       |      |              |                           |
| 62   | 51068-029-01 | Operating Arm               |      |              |                           |
| 64   | 51068-030-01 | Torsion Spring              |      |              |                           |
| 65   | FP-24H24     | Bearing                     |      |              |                           |
| 66   | 51068-016-51 | Contact Shaft Assembly      |      |              |                           |
| 67   | 51068-020-50 | Connector Assembly          |      |              |                           |

This document utilizes an interactive table of contents to help you jump from one section to another. Click the button to return to the table of contents.

**RETURN TO  
TABLE OF CONTENTS**

*BRAKES*

*CONTACTORS*

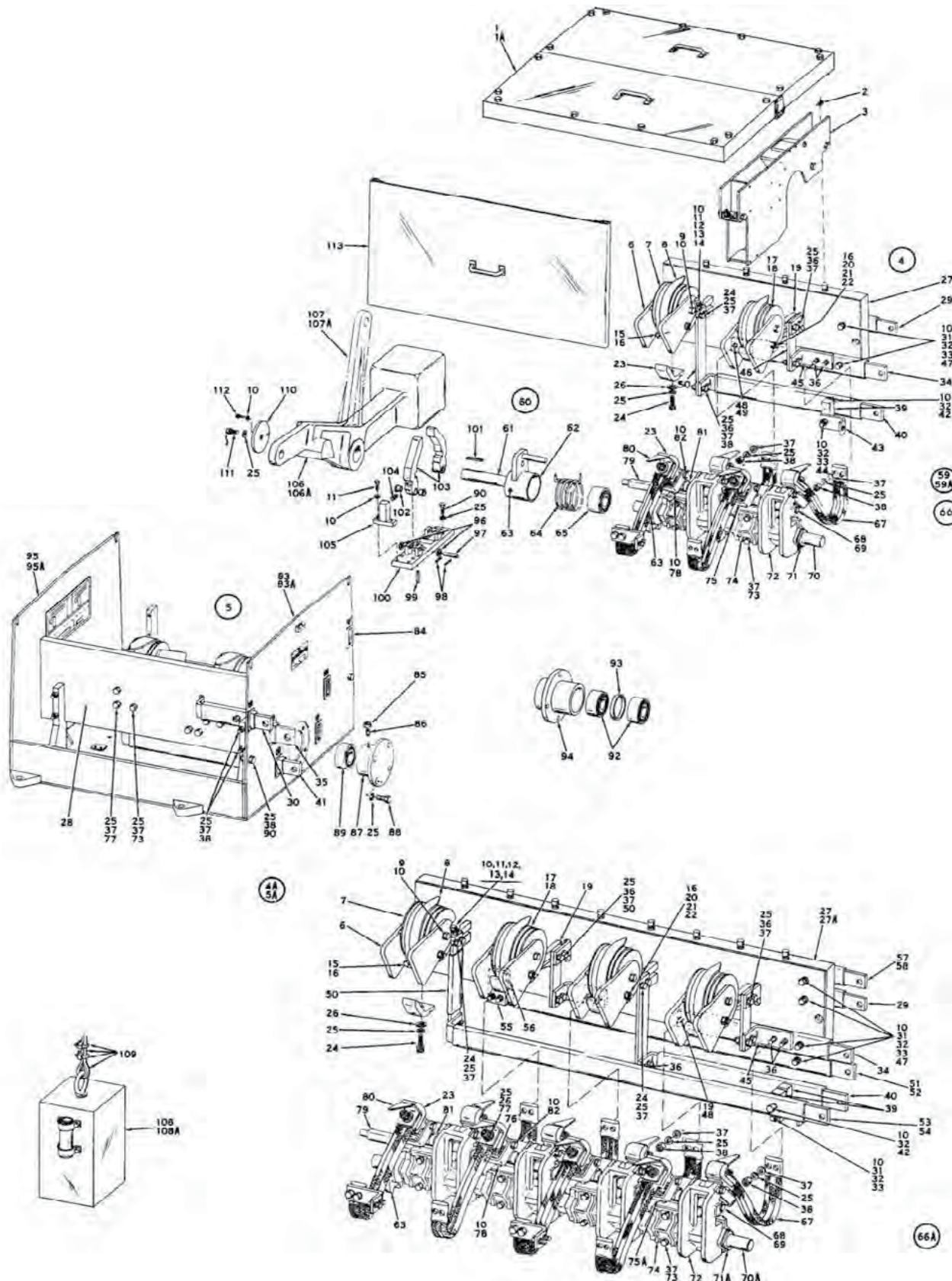
*SAFETY LIMIT STOPS*

- No. 10 YOUNGSTOWN LIMIT STOP
- No. 20 YOUNGSTOWN LIMIT SWITCH
- No. 30 YOUNGSTOWN LIMIT SWITCH
- No. 10 YOUNGSTOWN LIMIT SWITCH AC/DC TYPE BG SERIES A
- No. 20 AC/DC YOUNGSTOWN LIMIT SWITCH TYPE CG SERIES B
- No. 20 AC/DC YOUNGSTOWN LIMIT SWITCH TPYE CCG SERIES B
- No. 30 YOUNGSTOWN LIMIT SWITCH TYPE DG SERIES A
- No. 30 YOUNGSTOWN LIMIT SWITCH TYPE DDG SERIES A
- No. 40 YOUNGSTOWN LIMIT STOP SINGLE TYPE EG SERIES A
- No. 40 YOUNGSTOWN LIMIT STOP DUPLEX TYPE EEG SERIES A
- No. 50 DC YOUNGSTOWN LIMIT STOP SIMPLEX TYPE FG SERIES A
- No. 50 DC YOUNGSTOWN LIMIT STOP DUPLEX TYPE FFG SERIES A

*MISCELLANEOUS*

*INDEX*

NO. 50 DC YOUNGSTOWN LIMIT STOP DUPLEX  
SERIES A



This document utilizes an interactive table of contents to help you jump from one section to another. Click the button to return to the table of contents.

**RETURN TO  
TABLE OF CONTENTS**

*BRAKES*

*CONTACTORS*

*SAFETY LIMIT STOPS*

- No. 10 YOUNGSTOWN LIMIT STOP
- No. 20 YOUNGSTOWN LIMIT SWITCH
- No. 30 YOUNGSTOWN LIMIT SWITCH
- No. 10 YOUNGSTOWN LIMIT SWITCH AC/DC TYPE BG SERIES A
- No. 20 AC/DC YOUNGSTOWN LIMIT SWITCH TYPE CG SERIES B
- No. 20 AC/DC YOUNGSTOWN LIMIT SWITCH TPYE CCG SERIES B
- No. 30 YOUNGSTOWN LIMIT SWITCH TYPE DG SERIES A
- No. 30 YOUNGSTOWN LIMIT SWITCH TYPE DDG SERIES A
- No. 40 YOUNGSTOWN LIMIT STOP SINGLE TYPE EG SERIES A
- No. 40 YOUNGSTOWN LIMIT STOP DUPLEX TYPE EEG SERIES A
- No. 50 DC YOUNGSTOWN LIMIT STOP SIMPLEX TYPE FG SERIES A
- No. 50 DC YOUNGSTOWN LIMIT STOP DUPLEX TYPE FFG SERIES A

*MISCELLANEOUS*

*INDEX*

This document utilizes an interactive table of contents to help you jump from one section to another. Click the button to return to the table of contents.

**RETURN TO  
TABLE OF CONTENTS**

*BRAKES*

*CONTACTORS*

*SAFETY LIMIT STOPS*

- No. 10 YOUNGSTOWN LIMIT STOP
- No. 20 YOUNGSTOWN LIMIT SWITCH
- No. 30 YOUNGSTOWN LIMIT SWITCH
- No. 10 YOUNGSTOWN LIMIT SWITCH AC/DC TYPE BG SERIES A
- No. 20 AC/DC YOUNGSTOWN LIMIT SWITCH TYPE CG SERIES B
- No. 20 AC/DC YOUNGSTOWN LIMIT SWITCH TPYE CCG SERIES B
- No. 30 YOUNGSTOWN LIMIT SWITCH TYPE DG SERIES A
- No. 30 YOUNGSTOWN LIMIT SWITCH TYPE DDG SERIES A
- No. 40 YOUNGSTOWN LIMIT STOP SINGLE TYPE EG SERIES A
- No. 40 YOUNGSTOWN LIMIT STOP DUPLEX TYPE EEG SERIES A
- No. 50 DC YOUNGSTOWN LIMIT STOP SIMPLEX TYPE FG SERIES A
- No. 50 DC YOUNGSTOWN LIMIT STOP DUPLEX TYPE FFG SERIES A

*MISCELLANEOUS*

*INDEX*

| Itm | OEM Part     | Description                 | Itm  | OEM Part     | Description               |
|-----|--------------|-----------------------------|------|--------------|---------------------------|
| 1A  | 51068-084-50 | Top Cover                   | 58   | 51068-092-50 | Bus Bar, L.H.             |
| 2   | RS-130       | Special Cotter              | 59A  | 51068-085-50 | Contact Shaft Assembly    |
| 3   | 51068-046-51 | Arc Chute                   | 60   | 51068-027-50 | Trip Assembly             |
| 4A  | 51068-087-51 | Stationary Contact Assembly | 61   | 51068-028-01 | Shaft                     |
| 5A  | 51068-087-50 | Stationary Contact Assembly | 62   | 51068-029-01 | Operating Arm             |
| 6   | 51068-039-50 | Blowout Ear                 | 63   | 24209-32780  | Pin                       |
| 7   | 50512-001-27 | Blowout Insulating Washer   | 64   | 51068-030-01 | Torsion Spring            |
| 8   | 51068-038-50 | Blowout Guard               | 65   | FP-24H24     | Bearing                   |
| 9   | 21401-24280  | Cap Screw                   | 66A  | 51068-086-50 | Contact Shaft Assembly    |
| 10  | 23701-00240  | Pl. Lk. Washer              | 67   | 51068-020-50 | Connector Assembly        |
| 11  | 21401-24400  | H.I. Cap Screw              | 68   | L-6056       | Auxiliary Arm Pin         |
| 12  | 23601-00240  | Washer                      | 69   | LT-3394      | Set Screw                 |
| 13  | 50512-051-01 | Spacer                      | 70A  | 51068-017-02 | Shaft                     |
| 14  | 50512-001-25 | Insulating Washer           | 71A  | 50512-251-25 | Shaft Insulator           |
| 15  | 21601-20240  | Cap Screw                   | 72   | 51068-018-50 | Contact Arm Assembly      |
| 16  | 23701-00200  | Pl. Lk. Washer              | 73   | 21401-28680  | Cap Screw                 |
| 17  | 50502-776-11 | Blowout Core                | 74   | 51068-019-01 | Contact Arm Clamp         |
| 18  | 50512-052-16 | Insulator for Blowout Core  | 76   | 50502-601-34 | Contact Spring            |
| 19  | 51068-036-50 | Contact Bracket Assembly    | 77   | 21401-28660  | Cap Screw                 |
| 20  | 50502-103-12 | Stud                        | 78   | 23003-00240  | Jam Nut                   |
| 21  | 51068-040-01 | Blowout Ear Spacer          | 79   | 51068-026-50 | Rocker Arm Assembly       |
| 22  | 23002-00200  | Nut                         | 80   | 51068-025-01 | Arc Horn                  |
| 23  | 50005-015-01 | Contact Tip                 | 81   | 51068-021-01 | Auxiliary Arm             |
| 24  | 21601-28480  | Cap Screw                   | 82   | 21401-24240  | H.I. Cap Screw            |
| 25  | 23701-00280  | Pl. Lock Washer             | 83   | 51068-010-51 | Rear Panel Assembly       |
| 26  | 23601-00282  | Washer                      | 84   | 51202-062-01 | Gasket                    |
| 27A | 51068-089-50 | Base, R.H.                  | 85   | 23003-00200  | Hex Jam Nut               |
| 28A | 51068-088-50 | Base, L.H.                  | 86   | 22003-20241  | Set Screw                 |
| 29  | 51068-042-50 | Bus Bar, R.H.               | 87   | 51068-012-01 | Bearing Housing           |
| 30  | 51068-043-50 | Bus Bar, L.H.               | 88   | 21402-29480  | Cap Screw                 |
| 31  | 21401-24740  | Cap Screw                   | 89   | FP-24H24     | Bearing                   |
| 32  | 23003-00240  | Jam Nut                     | 90   | 21401-28400  | Cap Screw                 |
| 33  | 23002-00240  | H.I. Nut                    | 91   | 21401-28760  | Cap Screw                 |
| 34  | 51068-022-50 | Bus Bar, R.H.               | 92   | FP-24H25     | Bearing                   |
| 35  | 51068-022-51 | Bus Bar, L.H.               | 93   | 50502-053-21 | Bearing Spacer            |
| 36  | 21401-28560  | Cap Screw                   | 94   | 51068-011-01 | Front Bearing Housing     |
| 37  | 23601-00280  | Washer                      | 95A  | 51068-082-50 | Frame Assembly            |
| 38  | 23002-00280  | Nut                         | 96   | 23602-13209  | Washer                    |
| 39  | 51068-014-50 | Bus Bar Support             | 97   | 50502-276-31 | Pivot Pin                 |
| 40  | 51068-041-50 | Bus Bar, R.H.               | 98   | 24201-06320  | Cotter Pin                |
| 41  | 51068-041-51 | Bus Bar, L.H.               | 99   | 24209-32480  | Roll Pin                  |
| 42  | 21401-24480  | H.I. Cap Screw              | 100  | 51068-013-50 | Base Assembly             |
| 43  | 51068-009-01 | Bus Support                 | 101  | 50502-407-22 | Key                       |
| 44  | 21401-24660  | H. St. Cap                  | 102  | FP-24B35     | Oilite Bearing            |
| 45  | 51068-022-03 | Bus Bar                     | 103  | 51068-031-01 | Latch Arm                 |
| 46  | 51068-044-01 | Bus Bar                     | 104  | 50502-601-37 | Latch Arm Spring          |
| 47  | 23003-00280  | Jam Nut                     | 105  | 51068-045-01 | Stop Plate                |
| 48  | 21401-28800  | Cap Screw                   | 106A | 51068-053-51 | Weight Arm Assembly       |
| 49  | 23002-00320  | Nut                         | 107A | 51068-059-51 | Weight Arm Assembly       |
| 50  | 51068-041-01 | Bus Bar                     | 108A | 51068-055-51 | Suspended Weight Assembly |
| 51  | 51068-090-50 | Bus Bar, R.H.               | 109  | 51068-056-50 | Wire Rope & Fittings      |
| 52  | 51068-090-51 | Bus Bar, L.H.               | 110  | 50502-005-21 | Washer                    |
| 53  | 51068-041-52 | Bus Bar, R.H.               | 111  | X-2319       | Cap Screw                 |
| 54  | 51068-041-53 | Bus Bar, L.H.               | 112  | X-2222       | Special Cap Screw         |
| 55  | 51068-066-01 | Bus Bar                     | 113  | 51068-051    | Side Cover Assembly       |
| 56  | 50502-408-07 | Spacer                      |      |              |                           |
| 57  | 51068-091-50 | Bus Bar, R.H.               |      |              |                           |



TYPE DM MASTER SWITCH FOLIO 1-A

This document utilizes an interactive table of contents to help you jump from one section to another. Click the button to return to the table of contents.

**RETURN TO  
TABLE OF CONTENTS**

*BRAKES*

*CONTACTORS*

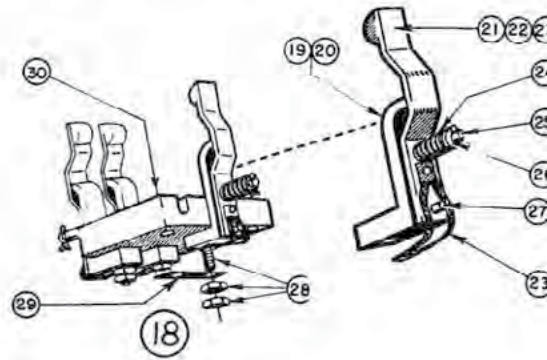
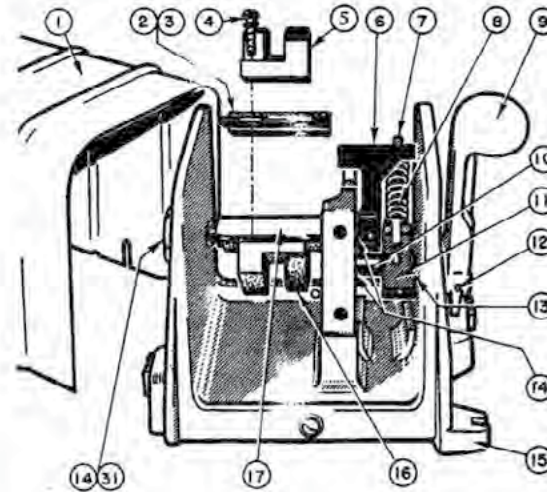
*SAFETY LIMIT STOPS*

*MISCELLANEOUS*

- TYPE DM MASTER SWITCH, FOLIO 1-A
- EC&M TYPE NT MASTER CONTROLLER, FOLIO 1
- SI ACCELERATION RELAY, FOLIO 1A & 1B
- SIP PLUGGING RELAY, FOLIO 1A & 1B

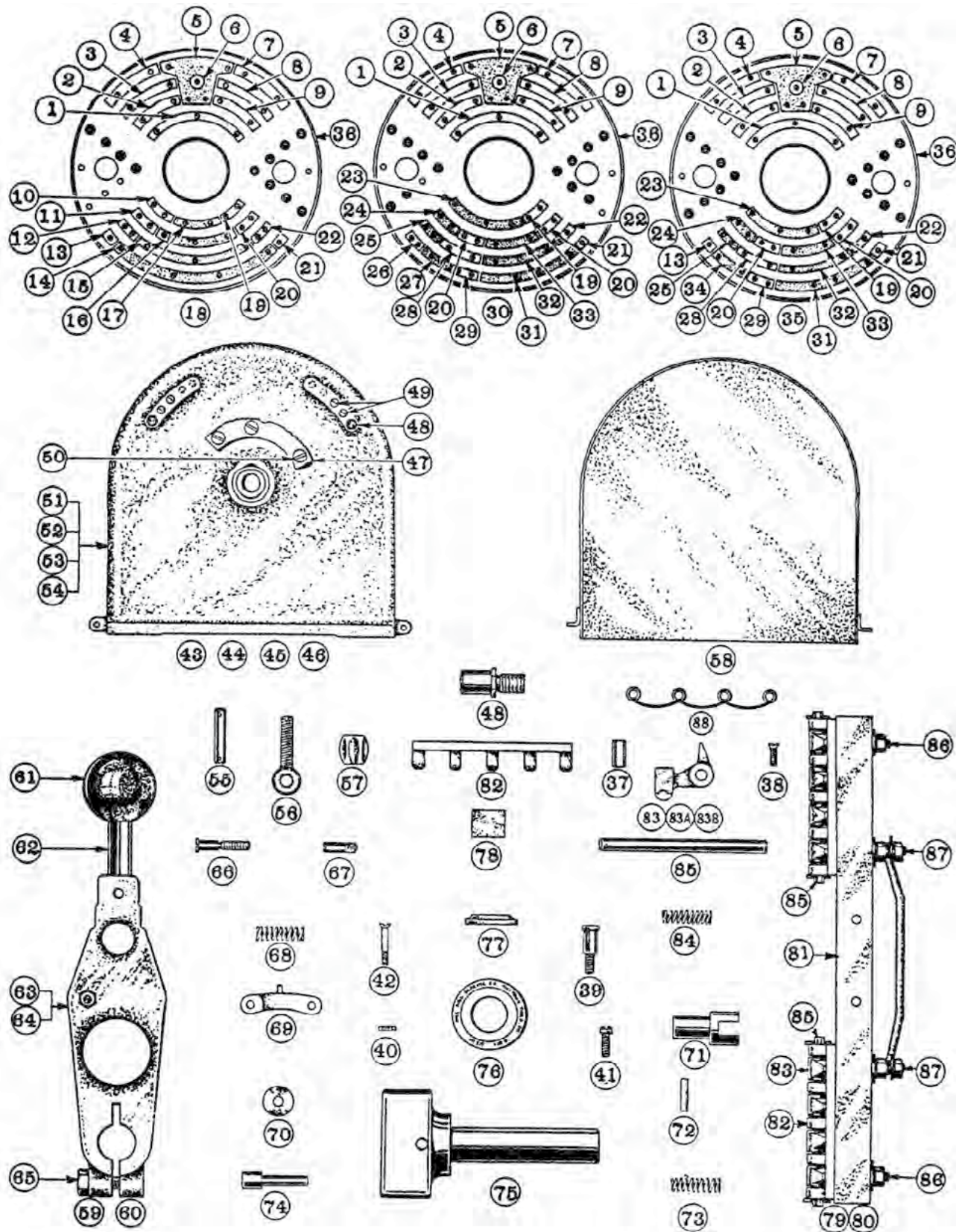
*INDEX*

| Item | OEM Part    | Description            |
|------|-------------|------------------------|
| 1    | DM-214      | Cover                  |
| 2    | MM-8        | Shaft Insulator        |
| 3    | MM-9        | Shaft Insulator        |
| 4    | 21001-18240 | R.I. Mch. Screw        |
| 4    | 23701-00200 | Pl. Lk. Washer         |
| 5    | DM-211      | Cylinder Contact       |
| 6    | DM-207      | Cylinder Lever         |
| 7    | DM-205      | Spring Rod             |
| 8    | DM-206      | Spring                 |
| 9    | DM-202      | Operating Lever        |
| 10   | DM-204      | Operating Shaft        |
| 11   | DM-203-A    | Cam                    |
| 12   | 24209-12400 | Roll Pin               |
| 13   | FP-24C24    | Oilite Bearing         |
| 14   | FP-24C234   | Oilite Bearing         |
| 15   | DM-228-A    | Frame Assembled        |
| 16   | DM-210      | Cylinder Contact       |
| 17   | DM-209      | Cylinder Shaft         |
| 18   | DM-226-A    | Finger Board Complete  |
| 19   | DM-230-A    | Finger Holder Assembly |
| 20   | DM-234      | Holder                 |
| 21   | DM-231-A    | Finger                 |
| 22   | DM-233      | Contact                |
| 23   | A-228-A     | Connector              |
| 24   | ZO-1247     | Spring                 |
| 25   | A-233       | Spring Stud            |
| 26   | A-234       | Spring Bushing         |
| 27   | DM-235      | Stud                   |
| 29   | DM-219      | Jumper                 |
| 30   | DM-215      | Finger Board           |
| 31   | DM-229-A    | Bearing Plug           |





TYPE NT MASTER CONTROLLER, FOLIO 1



This document utilizes an interactive table of contents to help you jump from one section to another. Click the button to return to the table of contents.

**RETURN TO  
TABLE OF CONTENTS**

*BRAKES*

*CONTACTORS*

*SAFETY LIMIT STOPS*

*MISCELLANEOUS*

- TYPE DM MASTER SWITCH, FOLIO 1-A
- EC&M TYPE NT MASTER CONTROLLER, FOLIO 1
- SI ACCELERATION RELAY, FOLIO 1A & 1B
- SIP PLUGGING RELAY, FOLIO 1A & 1B

*INDEX*

EC&M TYPE NT MASTER CONTROLLER, FOLIO 1

This document utilizes an interactive table of contents to help you jump from one section to another. Click the button to return to the table of contents.

**RETURN TO  
TABLE OF CONTENTS**

*BRAKES*

*CONTACTORS*

*SAFETY LIMIT STOPS*

*MISCELLANEOUS*

- TYPE DM MASTER SWITCH, FOLIO 1-A
- EC&M TYPE NT MASTER CONTROLLER, FOLIO 1
- SI ACCELERATION RELAY, FOLIO 1A & 1B
- SIP PLUGGING RELAY, FOLIO 1A & 1B

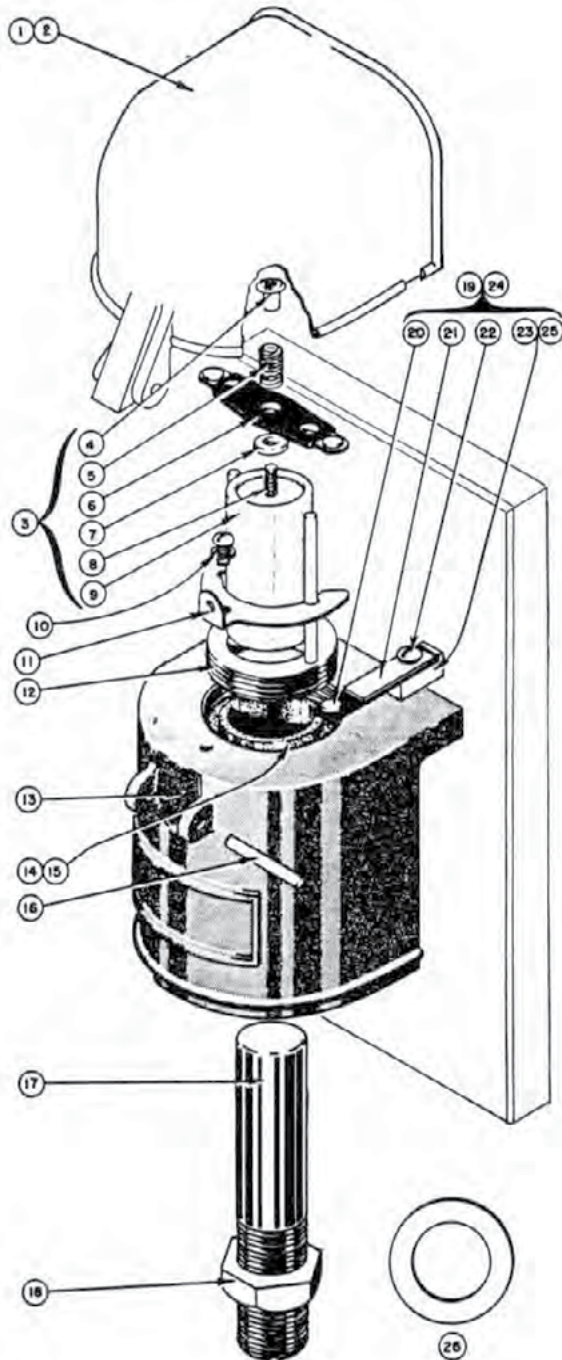
*INDEX*

| Item | OEM Part | Description       | Item | OEM Part | Description        |
|------|----------|-------------------|------|----------|--------------------|
| 1    | NT-29    | Contact           | 62   | NT-95    | Handle Stud        |
| 2    | NT-31    | Contact           | 63   | NT-15    | Operating Lever    |
| 3    | NT-33    | Contact           | 64   | NT-79    | Operating Lever    |
| 4    | NT-35    | Contact           | 66   | NT-23    | Roller Bracket Pin |
| 5    | NT-87    | Dead Block        | 67   | NT-26    | Roller Pin         |
| 6    | NT-1158  | Contact           | 68   | NT-74    | Roller Spring      |
| 7    | NT-34    | Contact           | 69   | NT-22    | Roller Bracket     |
| 8    | NT-32    | Contact           | 70   | NT-68    | Roller             |
| 9    | NT-30    | Contact           | 71   | NX-248   | Lock Casing        |
| 10   | NT-38    | Contact           | 72   | NX-249   | Pin                |
| 11   | NT-40    | L.H. Contact      | 73   | NT-93    | Lock Spring        |
| 12   | NT-42    | L.H. Contact      | 74   | NT-91    | Lock Pin           |
| 13   | NT-44    | L.H. Contact      | 75   | NT-13-A  | Shaft              |
| 14   | NT-65    | Dead Block        | 76   | NT-701   | Ball Bearing       |
| 15   | NT-64    | Dead Block        | 77   | NT-25    | Bearing            |
| 16   | NT-63    | Dead Block        | 78   | NT-76    | Shaft Key          |
| 17   | NT-62    | Dead Block        | 79   | NT-8-A   | Contact Arm        |
| 18   | NT-4-A   | Plate Face Assy.  | 81   | NT-20    | Arm                |
| 19   | NT-37    | Contact           | 82   | NT-19    | Finger Holder      |
| 20   | NT-39    | R.H. Contact      | 83   | NT-567   | Contact Finger     |
| 21   | NT-43    | Contact, Copper   | 83   | NT-18-A  | Contact Finger     |
| 22   | NT-41    | R.H. Contact      | 83   | NT-566   | Finger Tip         |
| 23   | NT-51    | Dead Block        | 84   | NT-75    | Spring             |
| 24   | NT-55    | Dead Block        | 85   | NT-69    | Finger Pin         |
| 25   | NT-56    | Dead Block        | 88   | NT-568-a | Finger Connector   |
| 26   | NT-47    | R.H. Contact      |      |          |                    |
| 27   | NT-57    | R.H. Contact      |      |          |                    |
| 28   | NT-46    | R.H. Contact      |      |          |                    |
| 29   | NT-45    | R.H. Contact      |      |          |                    |
| 30   | NT-5     | Plate             |      |          |                    |
| 31   | NT-54    | Dead Block        |      |          |                    |
| 32   | NT-53    | Dead Block        |      |          |                    |
| 33   | NT-52    | Dead Block        |      |          |                    |
| 34   | NT-58    | Dead Block        |      |          |                    |
| 35   | NT-6-A   | Face Plate        |      |          |                    |
| 36   | NT-28    | Face Plate        |      |          |                    |
| 37   | NT-70    | Spacer            |      |          |                    |
| 38   | NT-71    | Screw             |      |          |                    |
| 39   | NT-73    | Terminal, Steel   |      |          |                    |
| 40   | ZO-1150  | Cup Washer        |      |          |                    |
| 43   | NT-10-A  | Assembled Frame   |      |          |                    |
| 44   | NT-11-A  | Assembled Frame   |      |          |                    |
| 45   | NT-97-A  | Assembled Frame   |      |          |                    |
| 46   | NT-98-A  | Assembled Frame   |      |          |                    |
| 47   | NT-16    | Rail              |      |          |                    |
| 48   | NT-24    | Stop Stud         |      |          |                    |
| 49   | NT-72    | Frame Stud        |      |          |                    |
| 51   | NT-77    | Frame             |      |          |                    |
| 52   | NT-14    | Frame             |      |          |                    |
| 53   | NT-89    | Frame             |      |          |                    |
| 54   | NT-88    | Frame             |      |          |                    |
| 55   | NT-94    | Pin               |      |          |                    |
| 56   | A-176    | Clevis Pin, Steel |      |          |                    |
| 57   | A-201    | Clevis Bolt       |      |          |                    |
| 58   | NT-12-A  | Cover, Complete   |      |          |                    |
| 59   | NT-9-A   | Lever             |      |          |                    |
| 60   | NT-96-A  | Operating Lever   |      |          |                    |
| 61   | NT-1333  | Ball Handle       |      |          |                    |



SI ACCELERATION RELAY, FOLIO 1A & 1B

| Itm | OEM Part | Description             |
|-----|----------|-------------------------|
| 1   | SI-140-A | Cover                   |
| 2   | SI-3     | Cover Spring            |
| 3   | SI-125-A | Assembled Inductor Tube |
| 4   | FP-23A10 | Binding Post            |
| 7   | SI-133   | Spacer                  |
| 11  | SI-12    | Bushing Lock            |
| 12  | SI-24-A  | Bushing                 |
| 15  | SI-128-A | Coil                    |
| 17  | SI-14    | Core                    |
| 18  | SI-16    | Nut                     |
| 19  | SI-87-A  | Assembled Contact Stud  |
| 20  | SI-86-A  | Contact Blade           |
| 21  | SI-82    | Contact Blade Guard     |
| 23  | SI-83    | Contact Stud            |
| 24  | SI-88-A  | Assembled Contact Stud  |
| 25  | SI-84    | Contact Stud            |
| 26  | SI-68    | Gasket                  |



This document utilizes an interactive table of contents to help you jump from one section to another. Click the button to return to the table of contents.

**RETURN TO  
TABLE OF CONTENTS**

*BRAKES*

*CONTACTORS*

*SAFETY LIMIT STOPS*

*MISCELLANEOUS*

- TYPE DM MASTER SWITCH, FOLIO 1-A
- EC&M TYPE NT MASTER CONTROLLER, FOLIO 1
- SI ACCELERATION RELAY, FOLIO 1A & 1B
- SIP PLUGGING RELAY, FOLIO 1A & 1B

*INDEX*

SIP PLUGGING RELAY, FOLIO 1A & 1B

This document utilizes an interactive table of contents to help you jump from one section to another. Click the button to return to the table of contents.

**RETURN TO  
TABLE OF CONTENTS**

*BRAKES*

*CONTACTORS*

*SAFETY LIMIT STOPS*

*MISCELLANEOUS*

- TYPE DM MASTER SWITCH, FOLIO 1-A
- EC&M TYPE NT MASTER CONTROLLER, FOLIO 1
- SI ACCELERATION RELAY, FOLIO 1A & 1B
- SIP PLUGGING RELAY, FOLIO 1A & 1B

*INDEX*

| Itm | OEM Part | Description               |
|-----|----------|---------------------------|
| 1   | SI-140-A | Cover                     |
| 2   | SI-3     | Cover Spring              |
| 3   | SIP-8    | Stop                      |
| 4   | SIP-19   | Spring                    |
| 6   | SIP-24   | Washer                    |
| 7   | SI-12    | Bushing Lock              |
| 8   | SIP-1-A  | Bushing                   |
| 9   | SIP-26   | Plug                      |
| 10  | SI-129   | Case                      |
| 12  | SIP-16   | Sleeve                    |
| 13  | SIP-2-A  | Plunger                   |
| 14  | SIP-25   | Bottom Adj. Plug          |
| 16  | SIP-27   | Lock Spring               |
| 17  | SS-3022  | Coil Terminal Stud, Steel |
| 18  | SS-3065  | Coil Terminal Stud, Steel |
| 19  | SIP-21-A | Coil                      |
| 20  | SIP-22-A | Coil                      |
| 21  | SI-87-A  | Assembled Contact Stud    |
| 22  | SI-86-A  | Contact Blade             |
| 23  | SI-82    | Contact Blade Guard       |
| 25  | SI-83    | Contact Stud              |
| 26  | SI-88-A  | Assembled Contact Stud    |
| 27  | SI-84    | Contact Stud              |



| OEM PART           | DESCRIPTION              | OEM PART         | DESCRIPTION                       |
|--------------------|--------------------------|------------------|-----------------------------------|
| 203.....           | Identification Plate     | 21401-22400..... | H.I. Cap Screw                    |
| 02701-00200.....   | Pl. Lk. Washer           | 21401-22480..... | Cap Screw                         |
| 1326-S1-W35.....   | Coil                     | 21401-22640..... | Cap                               |
| 1359X10.....       | Spring                   | 21401-22660..... | Cap Screw                         |
| 1413-S3-313.....   | Coil                     | 21401-22680..... | Cap Screw                         |
| 1457-S2-W26.....   | Coil                     | 21401-24240..... | H.I. Cap Screw                    |
| 1477S26W33.....    | Coil                     | 21401-24280..... | Cap Screw                         |
| 1477-S5-W24.....   | Coil                     | 21401-24320..... | Cap Screw                         |
| 1478-S2-W23.....   | Coil                     | 21401-24400..... | H.I. Cap Screw                    |
| 1478-S5-W23.....   | Coil                     | 21401-24480..... | H.I. Cap Screw                    |
| 1478-X-14.....     | Spring                   | 21401-24482..... | Screw                             |
| 1484X14.....       | Spring                   | 21401-24560..... | Cap                               |
| 1707X21.....       | Contact                  | 21401-24640..... | Cap Screw                         |
| 1707X3.....        | Pins                     | 21401-24660..... | H. St. Cap                        |
| 1707X8.....        | Pin                      | 21401-24680..... | Cap Screw                         |
| 1763 G.....        | Bracket                  | 21401-24740..... | Cap Screw                         |
| 1828-C18-X1.....   | Barrier Strip            | 21401-28320..... | Hex. Stl. Cap Screw               |
| 1828-C22-X4.....   | Mounting Track           | 21401-28400..... | Cap Screw                         |
| 1828-C23-X4.....   | Marking Strip            | 21401-28560..... | Cap Screw                         |
| 1828-D54-G1.....   | Terminal Block Assembly  | 21401-28660..... | Cap Screw                         |
| 1828-D55-G1.....   | Terminal Block Assembly  | 21401-28662..... | Cap Screw                         |
| 1828-D57-G1.....   | End Clamp Assembly       | 21401-28680..... | Cap Screw                         |
| 1828-D71-X1.....   | Nylon Plug               | 21401-28681..... | Cap Screw                         |
| 1861-S1-R-35B..... | Coil                     | 21401-28720..... | Cap Screw                         |
| 1861X8.....        | Guide                    | 21401-28760..... | Cap Screw                         |
| 19418-14640.....   | Binding Post             | 21401-28800..... | Cap Screw                         |
| 1950-S3-W26.....   | Coil                     | 21401-28801..... | Cap Screw                         |
| 1950-S3-W28.....   | Coil                     | 21401-32640..... | H.I. Cap Screw                    |
| 1950-S4-W28.....   | Coil                     | 21401-34761..... | Magnet Adjusting Screw            |
| 2020D25X1.....     | Spring                   | 21401-36680..... | H.I. Cap Screw                    |
| 2020-G6.....       | Contact Finger           | 21401-38840..... | Cap Screw                         |
| 2020-G7.....       | Contact (Rear)           | 21402-29400..... | Socket Head Cap                   |
| 2020-G8.....       | Contact (Front)          | 21402-29480..... | Cap Screw                         |
| 2020XB.....        | Plug                     | 21407-20150..... | Silicon Bronze Hex Head Cap Screw |
| 2044X8.....        | Spring                   | 21407-20160..... | Silicon Bronze Hex Head Cap Screw |
| 2055X16.....       | Spring                   | 21407-20200..... | Screw                             |
| 2095-S1-U15-A..... | Coil                     | 21407-23320..... | Cap Screw                         |
| 2095S1V15A.....    | Coil                     | 21407-24280..... | Sil. Bronze Hex Head Cap Screw    |
| 21001-18240.....   | R.I. Mch. Screw          | 21407-24320..... | Hex Head Cap Screw                |
| 21001-20100.....   | R.I. Screw               | 21407-28320..... | Cap Screw                         |
| 21001-20160.....   | Machine Screw            | 21408-20200..... | Hex Hd. Stl. Screw                |
| 21008-04060.....   | Drive Screw              | 21408-20240..... | Steel Hex Cap Screw               |
| 21008-06080.....   | Drive Screw              | 21408-22240..... | Steel Hex Cap                     |
| 21008-06120.....   | Drive Screw              | 21408-22280..... | Slotted Steel Screw               |
| 21008-07160.....   | Lg. Type "U" Drive Screw | 21410-20160..... | Hex Type E Screw                  |
| 21101-20160.....   | F.I. Screw               | 21411-20880..... | Stud                              |
| 21101-20400.....   | Fil. I. Cap Screw        | 21417-16120..... | Self-Tapping Screw                |
| 21201-12080.....   | Flat Hd Stl. Screw       | 21417-16200..... | Self-Tapping Screw                |
| 21201-16100.....   | Flat Head Steel Screw    | 2144-20-60.....  | Screw                             |
| 21201-16120.....   | Flat Head Steel Screw    | 21507-12080..... | Steel Screw                       |
| 21203-20120.....   | Flat Head Brass Screw    | 21507-14120..... | Pan Head Screw                    |
| 21401-20160.....   | H.I. Cap Screw           | 21507-16120..... | Pan Hd. Stl. Screw                |
| 21401-20200.....   | H.I. Cap Screw           | 21507-16160..... | R.I. Screw                        |
| 21401-20240.....   | H.I. Cap Screw           | 21507-16200..... | Pan Hd. Stl. Screw                |
| 21401-20280.....   | Hex Head Stl. Screw      | 21507-16240..... | Pan Hd. Mch Screw                 |
| 21401-20310.....   | Hex Hd. Stl. Screw       | 21507-16280..... | Screw                             |
| 21401-20320.....   | Cap Screw                | 21507-20400..... | P.H.S. Screw                      |
| 21401-20400.....   | Cap Screw                | 21509-12080..... | Pan Head Screw                    |
| 21401-20480.....   | Steel Cap Screw          | 21515-08060..... | Drive Screw                       |
| 21401-20560.....   | Hex Hd. Stl. Screw       | 21522-16700..... | B/O Ear Stud                      |
| 21401-22160.....   | H. Stl. Cap Screw        | 21522-16720..... | Stud                              |
| 21401-22200.....   | Steel Hex Cap Screw      | 21522-16760..... | Stud, for Blowout Ear Spacer      |
| 21401-22240.....   | H.I. Cap Screw           | 21527-20240..... | Type C Pan Head Screw             |
| 21401-22242.....   | Cap Screw                | 21527-20320..... | Type C Pan Head Screw             |
| 21401-22280.....   | Cap Screw                | 21590-14120..... | Hex. Pan Head                     |
| 21401-22320.....   | Hex Steel Cap Screw      | 21590-16120..... | Form Screw                        |

This document utilizes an interactive table of contents to help you jump from one section to another. Click the button to return to the table of contents.

**RETURN TO  
TABLE OF CONTENTS**

*BRAKES*

*CONTACTORS*

*SAFETY LIMIT STOPS*

*MISCELLANEOUS*

*INDEX*

This document utilizes an interactive table of contents to help you jump from one section to another. Click the button to return to the table of contents.

**RETURN TO  
TABLE OF CONTENTS**

*BRAKES*

*CONTACTORS*

*SAFETY LIMIT STOPS*

*MISCELLANEOUS*

*INDEX*

| OEM PART   | DESCRIPTION                     | OEM PART    | DESCRIPTION                |
|--|---------------------------------|-------------|----------------------------|
| 21601-20240                                      | Cap Screw                       | 23601-00220 | Washer                     |
| 21601-20400                                      | Cap Screw                       | 23601-00240 | Washer                     |
| 21601-20440                                      | Socket Head Cap Screw           | 23601-00280 | Washer                     |
| 21601-24660                                      | Socket Head Screw               | 23601-00282 | Washer                     |
| 21601-28480                                      | Cap Screw                       | 23602-11204 | Washer                     |
| 21714-20240                                      | Screw                           | 23602-13209 | Washer                     |
| 21714-22280                                      | 5/16-18 X 1" Nylock Brass Screw | 23604-00200 | Washer                     |
| 21721-22200                                      | Hex Socket Flat Hd. Cap Screw   | 23614-11200 | Mica Washer                |
| 21801-17080                                      | Point Set Screw                 | 23690-01420 | Spherical Washer           |
| 21802-20240                                      | Set Screw                       | 23690-01580 | Thrust Washer              |
| 21802-20400                                      | Set Screw                       | 23690-01650 | Spherical Washer           |
| 21802-20480                                      | Set Screw                       | 23701-00120 | Lock Washer                |
| 21802-24320                                      | Set Screw                       | 23701-00140 | Lock Washer                |
| 21802-24400                                      | Set Screw                       | 23701-00160 | Pl. Lock Washer            |
| 21802-24480                                      | Set Screw                       | 23701-00200 | Pl. Lock Washer            |
| 21802-24560                                      | Set Screw                       | 23701-00220 | Lock Washer                |
| 21802-24640                                      | Set Screw                       | 23701-00240 | Pl. Lock Washer            |
| 21802-24680                                      | Set Screw                       | 23701-00280 | Lock Washer                |
| 21802-28740                                      | Set Screw                       | 23701-00320 | Pl. Lock Washer            |
| 21933-16400                                      | Screw                           | 23701-00360 | Pl. Lock Washer            |
| 22003-20241                                      | Set Screw                       | 23703-00220 | Shakeproof Lk. Washer      |
| 22903-24200                                      | Set Screw                       | 23704-00360 | Lock Washer                |
| 22903-28240                                      | Set Screw                       | 23704-00420 | Shake-proof Lk. Washer     |
| 22903-28402                                      | Set Screw                       | 23711-22000 | Lockwasher                 |
| 22999-14320                                      | Binding Screw                   | 23711-22400 | Silicon Bronze Lock Washer |
| 22999-14400                                      | Binding Screw, Alloy            | 23711-22800 | Lockwasher                 |
| 23" Calibration Plate, Type T, WB Square-D Brake |                                 | 23901-00160 | Washer                     |
| 23001-00160                                      | Hex Stl. Nut                    | 24004-08080 | Aluminum Rivet             |
| 23001-00200                                      | Nut                             | 24101-12080 | Rivets                     |
| 23001-00240                                      | H.I. Nut                        | 24101-12100 | Rivet                      |
| 23002-00200                                      | Nut                             | 24201-04160 | Cotter Pin                 |
| 23002-00220                                      | H.I. Nut                        | 24201-06240 | Cotter Pin                 |
| 23002-00240                                      | H.I. Nut                        | 24201-06320 | Cotter Pin                 |
| 23002-00280                                      | Nut                             | 24201-08401 | Cotter Pin                 |
| 23002-00320                                      | Nut                             | 24201-08480 | Cotter Pin                 |
| 23002-00380                                      | H.Nut                           | 24201-12400 | Cotter Pin                 |
| 23002-00440                                      | Nut                             | 24201-12680 | Cotter Pin                 |
| 23003-00200                                      | Hex Jam Nut                     | 24202-06640 | Taper Pin                  |
| 23003-00220                                      | Jam Nut                         | 24209-08241 | Roll Pin                   |
| 23003-00230                                      | Spring Nut                      | 24209-10200 | Roll Pin                   |
| 23003-00240                                      | Jam Nut                         | 24209-12280 | Roll Pin                   |
| 23003-00280                                      | Jam Nut                         | 24209-12320 | Rollpin                    |
| 23003-00320                                      | Jam Nut                         | 24209-12360 | Roll Pin                   |
| 23003-00350                                      | Jam Nut                         | 24209-12400 | Roll Pin                   |
| 23003-00380                                      | Jam Nut                         | 24209-12480 | Roll Pin                   |
| 23003-00500                                      | Jam Nut, RH                     | 24209-16400 | Roll Pin                   |
| 23004-00330                                      | Lock Nut                        | 24209-16440 | Roll pin                   |
| 23004-00400                                      | H. Nut                          | 24209-32480 | Roll Pin                   |
| 23005-00202                                      | Brass Nut                       | 24209-32780 | Pin                        |
| 23045-58000                                      | Lock Nut                        | 24213-12320 | Pin                        |
| 23046-40000                                      | Nut                             | 24213-16280 | Pin                        |
| 23201-00200                                      | Hex Lock Nut                    | 24215-16400 | Spiral Pin                 |
| 23201-00210                                      | Nut                             | 25009-07161 | Lug                        |
| 23201-10350                                      | Stop Nut                        | 25009-10142 | Terminal Crimp             |
| 23201-20251                                      | Elastic Stop Nut                | 25050-14000 | Lug                        |
| 23218-00330                                      | Lock Nut                        | 25107-04500 | Coil Terminal Lug          |
| 23218-00350                                      | Lock Nut                        | 25208-90160 | Compression Fitting        |
| 23218-00370                                      | Lock Nut                        | 25208-90161 | Compression Fitting        |
| 23218-00401                                      | Lock Nut                        | 25209-10400 | Grease Fitting             |
| 23218-00460                                      | Lock Nut                        | 25209-20400 | Grease Fitting             |
| 23218-00520                                      | Lock Nut                        | 25209-30400 | Grease Fitting             |
| 23219-00350                                      | Nylock Nut                      | 25223-46400 | Pipe Nipple                |
| 23223-46800                                      | Pipe Nipple                     | 25223-46480 | Pipe Nipple                |
| 23601-00121                                      | Plain Washer                    | 25223-46640 | Pipe Nipple                |
| 23601-00141                                      | Washer                          | 25223-46680 | Pipe Nipple                |
| 23601-00200                                      | Washer                          | 25901-11082 | Cable clamp                |

| OEM PART    | DESCRIPTION            | OEM PART      | DESCRIPTION                 |
|-------------|------------------------|---------------|-----------------------------|
| 25901-49001 | Stud                   | 29005-72561   | Bearing                     |
| 26114-52337 | Resistor               | 29005-72562   | Bearing                     |
| 26198-34310 | Rheostat               | 29005-72563   | Bearing                     |
| 26202-02035 | Push Button            | 29005-72600   | Bearing                     |
| 27303-00220 | Shakeproof Lock Washer | 29005-72601   | Bearing                     |
| 287A121P34  | Pin                    | 29005-72602   | Oilite Bearing              |
| 29002-16300 | Bearing                | 29005-72603   | Bearing                     |
| 29002-33800 | Bearing                | 29005-79645   | Bearing                     |
| 29002-34202 | Bearing                | 29005-80670   | Bearing                     |
| 29002-37320 | Bearing                | 29005-80671   | Bearing                     |
| 29002-37960 | Bearing                | 29005-80672   | Bearing                     |
| 29002-54000 | Ball Bearing           | 29005-80673   | Bearing                     |
| 29005-08082 | Bearing                | 29005-80674   | Bearing                     |
| 29005-16122 | Bearing                | 29005-80715   | Frame Bushing               |
| 29005-16300 | Bearing                | 29005-80830   | Bearing                     |
| 29005-20160 | Bearing                | 29005-83695   | Bearing                     |
| 29005-24121 | Bearing                | 29013-02120   | Connecting Rod Bearing      |
| 29005-24161 | Bearing                | 29013-02160   | Connecting Rod End Bearing  |
| 29005-32200 | Bearing                | 29013-04080   | Roller                      |
| 29005-32202 | Pin                    | 29013-04560   | Bearing                     |
| 29005-32203 | Bearing                | 29013-04641   | Bearing                     |
| 29005-32220 | Bearing                | 29203-01032   | Handle Ball                 |
| 29005-32221 | Oilite Bearing         | 29206-00430   | "O" Ring                    |
| 29005-32223 | Finger Board           | 29206-00550   | "O" Ring                    |
| 29005-40201 | Bearing                | 29206-00665   | "O" Ring                    |
| 29005-40240 | Bearing                | 29206-00761   | "O" Ring                    |
| 29005-40241 | Bearing                | 29208-02681   | Sealing Ring                |
| 29005-40242 | Bearing                | 29208-02720   | Sealing Ring                |
| 29005-40243 | Bushing                | 2936-S1-C304  | Coil                        |
| 29005-40260 | Bearing                | 2936-S21-G11  | Coil                        |
| 29005-40261 | End Bearing            | 29418-14120   | Post                        |
| 29005-48240 | Bearing                | 29418-14400   | Binding Nut, Alloy          |
| 29005-48300 | Bearing                | 29418-14560   | Grease Fitting              |
| 29005-48301 | Bushing                | 29418-14640   | Binding Post                |
| 29005-48310 | Frame Bushing          | 29418-14680   | Binding Post                |
| 29005-48320 | Bearing                | 29499-00401   | Hood Fastener               |
| 29005-56360 | Bushing                | 29499-00500   | Spring Catch                |
| 29005-56361 | Bearing                | 29499-00800   | Hood Fastener Strike        |
| 29005-56362 | Bearing                | 29907-01610   | E-Rings                     |
| 29005-56380 | Frame Bushing          | 29907-02410   | "E" Ring                    |
| 29005-56400 | Bearing                | 29907-03210   | "E" Ring                    |
| 29005-56401 | Bearing                | 29907-04810   | "E" Ring                    |
| 29005-56402 | Bearing                | 29915-04010   | Retaining Ring              |
| 29005-56403 | Bearing                | 306-D1-X1     | Cup washers                 |
| 29005-56404 | Bearing                | 31017-400-54  | Coil                        |
| 29005-56410 | Bearing                | 31018-400-43  | Coil                        |
| 29005-63640 | Roller                 | 31018-400-43  | Coil                        |
| 29005-64400 | Bearing                | 31018-400-70  | Coil                        |
| 29005-64401 | Bearing                | 31021-400-60  | Coil                        |
| 29005-64402 | Shaft Bushing          | 31074-400-57  | Coil                        |
| 29005-64403 | Bushing                | 3202-0009-G01 | Tip                         |
| 29005-64404 | Bearing                | 350005-078-02 | Contact                     |
| 29005-64405 | Bearing                | 3F10-A        | Coil                        |
| 29005-64406 | Bearing                | 3SO-240A      | Coil                        |
| 29005-66440 | Bearing                | 4491-SI-W29   | Encapsulated Coil           |
| 29005-66443 | Bearing                | 4509-D9-X1    | Spring                      |
| 29005-66444 | Bearing                | 50005-006-01  | Tip                         |
| 29005-66445 | Bearing                | 50005-006-02  | Tip                         |
| 29005-66446 | Bearing                | 50005-008-50  | Silver Contact Tip          |
| 29005-66447 | Bearing                | 50005-008-51  | Contact Tip, Silver         |
| 29005-66448 | Bearing                | 50005-008-52  | Silver Tungsten Contact Tip |
| 29005-66600 | Frame Bushing          | 50005-010-01  | Tip                         |
| 29005-68520 | Bearing                | 50005-013-50  | Contact Tip, Silver Faced   |
| 29005-68560 | Oilite Bearing         | 50005-015-01  | Contact Tip                 |
| 29005-68655 | Bearing                | 50005-017-01  | Contact                     |
| 29005-72560 | Bearing                | 50005-021-50  | Contact (S.T.)              |

This document utilizes an interactive table of contents to help you jump from one section to another. Click the button to return to the table of contents.

**RETURN TO  
TABLE OF CONTENTS**

*BRAKES*

*CONTACTORS*

*SAFETY LIMIT STOPS*

*MISCELLANEOUS*

*INDEX*

This document utilizes an interactive table of contents to help you jump from one section to another. Click the button to return to the table of contents.

**RETURN TO  
TABLE OF CONTENTS**

*BRAKES*

*CONTACTORS*

*SAFETY LIMIT STOPS*

*MISCELLANEOUS*

*INDEX*

| OEM PART     | DESCRIPTION   | OEM PART     | DESCRIPTION   |
|--------------|---|--------------|---|
| 50005-025-01 | Tip   | 5010F2322    | 23" Type F, Series C, 320 - 252 HP Brake  |
| 50005-027-50 | Tip   | 5010F2323    | 23" Type F, Series C, 162 - 206 HP Brake  |
| 50005-027-51 | Contact Tip   | 5010F2324    | 23" Type F, Series C Brake, 127 HP 1 HR Duty @ 230 VDC, 160 HP 1/2 HR Duty @ 230 VDC    |
| 50005-034-51 | Contact Tip   | 5010F3004    | Type F Series A, 30" WB Brake, Rated 380 HP 1/2 Hour Duty, 290 HP 1 Hour Duty @ 230 VDC |
| 50005-037-01 | Contact   | 5010T3004    | Type T 30" WB Brake, Rated 385 HP 1/2 Hour Duty, 290 HP 1 Hour Duty @ 230 VDC           |
| 50005-037-02 | Contact   | 50502-003-29 | Spring Adjuster Washer  |
| 50005-040-01 | Contact Tip   | 50502-003-30 | Washer  |
| 50005-040-02 | Contact Tip   | 50502-003-31 | Spring Thrust Plate   |
| 50005-042-50 | Contact Tip   | 50502-003-32 | Washer  |
| 50005-043-01 | Contact Tip   | 50502-003-33 | Armature Stop Washer  |
| 50005-044-01 | Contact Tip   | 50502-003-44 | Spring Adjuster Washer  |
| 50005-044-50 | Contact Tip   | 50502-003-45 | Drag Link Spacer  |
| 50005-046-50 | Contact Tip   | 50502-003-46 | Armature Stop Washer  |
| 50005-049-01 | Finger Tip  | 50502-004-01 | Spring Washer   |
| 50005-051-50 | Silver Contact Finger   | 50502-004-02 | Spring Washer, Large  |
| 50005-053-01 | Contact Tip   | 50502-004-03 | Spring Washer   |
| 50005-053-02 | Contact Tip   | 50502-005-06 | Core Cap Spacer   |
| 50005-053-03 | Contact Size 3  | 50502-005-21 | Washer  |
| 50005-053-04 | Stationary Contact Size 4                                       | 50502-005-24 | Spacer  |
| 50005-053-05 | Stationary Contact Size 5                                       | 50502-005-31 | Spacer  |
| 50005-054-01 | Contact Tip   | 50502-005-32 | Shim  |
| 50005-054-02 | Contact Tip   | 50502-006-05 | Core Cap  |
| 50005-060-01 | Stationary Contact Size 6                                       | 50502-006-06 | Core Cap Spacer   |
| 50005-063-01 | Moving Contact Size 6   | 50502-006-10 | Core Cap  |
| 50005-072-02 | Stationary contact tip (copper)                                 | 50502-006-11 | Core Cap Spacer   |
| 50005-073-01 | Contact   | 50502-006-14 | Core Cap  |
| 50005-073-02 | Contact   | 50502-006-15 | Core Cap Spacer   |
| 50005-075-50 | Contact Tip   | 50502-006-19 | Core Cap  |
| 50005-078-01 | Contact Size 3  | 50502-006-20 | Core Cap Spacer   |
| 50005-078-02 | Moving Contact Size 4   | 50502-006-25 | Coil Retainer   |
| 50005-078-03 | Contact (S.T.)  | 50502-006-28 | Coil Retainer   |
| 50005-087-51 | Contact Tip, Silver Faced                                       | 50502-051-19 | Anti-drag Lever Spacer  |
| 50005-090-51 | Contact   | 50502-051-28 | Spacer  |
| 50005-093-50 | Silver Contact Tip  | 50502-052-16 | Spacer  |
| 50005-100-51 | Contact with Silver Insert                                      | 50502-053-21 | Bearing Spacer  |
| 50005-101-51 | Contact   | 50502-101-45 | Handle Shaft  |
| 50005-115-02 | Contact Tip   | 50502-103-12 | Stud  |
| 50005-115-51 | Contact   | 50502-103-13 | Resistor Mounting Stud  |
| 50005-120-02 | Contact   | 50502-226-05 | Pin   |
| 50005-124-51 | Contact Tip Silver  | 50502-276-24 | Contact Arm Shaft   |
| 50006-369-10 | MGO-3 Contactor   | 50502-276-31 | Pivot Pin   |
| 50006-369-19 | MAGO-1 Contactor  | 50502-326-08 | Connecting Rod  |
| 50009-090-51 | Contact, Silver Tipped  | 50502-326-19 | Connecting Rod  |
| 5010F0853    | 8" WB Series A Rectifier Operated Brake                         | 50502-402-18 | Spacer  |
| 5010F0857    | 8" Type F, Shunt Brake  | 50502-407-22 | Key   |
| 5010F1072    | 10" Type F, WB Series C Rectifier Operated Brake                | 50502-408-07 | Spacer  |
| 5010F1077    | 10" Type F, Series C, Shunt Brake                               | 50502-502-35 | Auxiliary Arm Spring  |
| 5010F1323    | 13" Type F1323 Series C Brake, 40-49 HP                         | 50502-502-42 | Auxiliary Arm Spring  |
| 5010F1324    | 13" Type F Series C Brake 31-39 HP 116490                       | 50502-526-04 | Centering Spring Stud Screw   |
| 5010F1370    | 13" WB Series C Rectifier Operated Brake                        | 50502-526-09 | Equalizing Screw  |
| 5010F1375    | 13" Type F, Series C, Shunt Brake                               | 50502-526-10 | Equalizing Screw  |
| 5010F1385    | 13" Type F Series C WB Brake                                    | 50502-526-13 | Screw   |
| 5010F1622    | 16" Type F Series B Brake, 76 HP 1 Hr. Duty, 96 HP 1/2 Duty     | 50502-526-17 | Special Cap Screw   |
| 5010F1670    | 16" Rectifier Operated Shunt Brake                              | 50502-551-01 | Jam Nut, LH   |
| 5010F1674    | 16" Type F, Series C, Shunt Brake                               | 50502-551-03 | Locknut   |
| 5010F1904    | 19" Type F, Series C, 134 - 178 HP Brake                        | 50502-551-04 | Spring Adjuster Nut   |
| 5010F1907    | 19" Type F Brake, Series C, 76 HP 1 Hr. duty, 97 HP 1/2 Hr duty | 50502-551-05 | H. St. Nut, L.H.  |
| 5010F1908    | 19" WB Brake, Type F, Series C, 59 HP-79 HP                     | 50502-551-06 | Nut   |
| 5010F1959    | 19" Type F, Series C, Shunt Brake                               | 50502-601-09 | Centering Spring  |
|              |   | 50502-601-10 | Spring  |
|              |   | 50502-601-12 | Spring  |
|              |   | 50502-601-13 | Spring  |



| OEM PART     | DESCRIPTION                 | OEM PART     | DESCRIPTION                    |
|--------------|-----------------------------|--------------|--------------------------------|
| 50502-601-20 | Spring                      | 50901-010-02 | Centering Bracket Spring       |
| 50502-601-21 | Spring                      | 50901-010-03 | Shoe Mounting Spring           |
| 50502-601-22 | Release Spring              | 50901-010-04 | Centering Bracket Spring       |
| 50502-601-28 | Spring                      | 50901-010-05 | Connecting Rod Spring          |
| 50502-601-34 | Contact Spring              | 50901-010-06 | Latch Pin Spring               |
| 50502-601-37 | Latch Arm Spring            | 50901-010-07 | Centering Bracket Spring       |
| 50502-601-38 | Shoe Clamp Spring           | 50901-010-08 | Connecting Rod Spring          |
| 50502-601-40 | Spring, Red                 | 50901-010-09 | Latch Pin Spring               |
| 50502-601-41 | Spring (Yellow)             | 50901-010-11 | Connecting Rod Spring          |
| 50502-601-42 | Spring (Blue)               | 50901-010-12 | Operating Spring               |
| 50502-601-43 | Centering Spring            | 50901-010-13 | Centering Bracket Spring       |
| 50502-602-03 | Spring                      | 50901-010-14 | Operating Spring               |
| 50502-602-04 | Aux. Arm Spring             | 50901-010-15 | Connecting Rod Spring          |
| 50502-602-07 | Opening Spring              | 50901-010-16 | Shoe Mounting Spring           |
| 50502-602-09 | Spring                      | 50901-010-18 | Latch Pin Spring               |
| 50502-602-10 | Closing Spring              | 50901-010-19 | Operating Spring               |
| 50502-602-11 | Auxiliary Arm Spring        | 50901-010-20 | Centering Spring               |
| 50502-602-12 | Aux. Arm Spring             | 50901-010-21 | Connecting Rod Spring          |
| 50502-602-13 | Opening Spring              | 50902-010-03 | Shoe Mounting Spring           |
| 50502-602-14 | Closing Spring              | 50903-101-50 | Shoe Assembly, Includes Lining |
| 50502-602-15 | Spring                      | 50903-102-50 | Base and Magnet Case Assembly  |
| 50502-602-17 | Opening Spring              | 50903-115-50 | Connecting Link                |
| 50502-602-18 | Aux Arm Spring              | 50903-117-50 | Connecting Rod Assembly        |
| 50502-602-30 | Auxiliary Arm Spring        | 50903-119-50 | Connecting Rod Lever           |
| 50502-602-31 | Auxiliary Arm Spring        | 50903-121-50 | Armature                       |
| 50502-602-33 | Auxiliary Arm Spring        | 50903-127-50 | Outboard Shoe Lever            |
| 50502-602-35 | Spring                      | 50903-129-50 | Inboard Shoe Lever             |
| 50502-602-36 | Opening Spring              | 50903-132-53 | Coil, 14-17 HP                 |
| 50502-602-37 | Auxiliary Arm Spring        | 50903-132-55 | Coil                           |
| 50502-602-38 | Spring                      | 50903-132-56 | Coil                           |
| 50502-602-39 | Spring                      | 50903-132-57 | Series Coil                    |
| 50502-602-40 | Opening spring              | 50903-132-58 | Series Coil                    |
| 50502-602-41 | Contact arm spring          | 50903-132-63 | Coil                           |
| 50502-602-42 | Spring                      | 50903-132-66 | Coil                           |
| 50502-602-44 | Auxiliary Arm Spring        | 50903-132-67 | Coil                           |
| 50502-701-01 | Hairpin Clip                | 50903-134-01 | Lifting Bracket                |
| 50502-701-02 | Hairpin Clip                | 50903-137-50 | Yoke                           |
| 50502-701-03 | Hairpin Clip                | 50903-139-01 | Armature Gap Indicator         |
| 50502-701-04 | Hairpin Clip                | 50903-140-50 | Centering Bracket              |
| 50502-776-11 | Blowout Core                | 50903-141-01 | Calibration Plate              |
| 50502-776-14 | Blowout Core                | 50903-143-01 | Magnet Case Cover Assembly     |
| 50502-776-15 | Blowout Core                | 50903-158-01 | Connecting Rod                 |
| 50502-776-16 | Blowout Core                | 50903-160-01 | Ratchet Rod                    |
| 50502-801-05 | Stud                        | 50903-164-50 | Crank Assembly                 |
| 50502-801-08 | Centering Spring Stud, 1/2" | 50903-166-01 | Lead Bushing                   |
| 50512-001-21 | Insulating Washer           | 50903-167-01 | Terminal Shield                |
| 50512-001-25 | Insulating Washer           | 50903-401-01 | Pin                            |
| 50512-001-27 | Blowout Insulating Washer   | 50903-401-02 | Pin                            |
| 50512-051-01 | Spacer                      | 50903-401-03 | Pin                            |
| 50512-051-42 | Roller                      | 50903-401-04 | Pin                            |
| 50512-052-05 | Blowout Core Insulator      | 50903-401-05 | Pin                            |
| 50512-052-06 | Blowout Core Insulator      | 50903-401-06 | Pin                            |
| 50512-052-16 | Insulator for Blowout Core  | 50903-401-07 | Pin                            |
| 50512-052-28 | Blowout Core Insulator      | 50903-401-08 | Pin                            |
| 50512-052-34 | Blowout Core Insulator      | 50903-401-09 | Pin                            |
| 50512-052-46 | Insulator                   | 50903-401-10 | Pin                            |
| 50512-154-22 | Coil Spacer                 | 50903-401-11 | Pin                            |
| 50512-251-17 | Insulator                   | 50903-401-12 | Pin                            |
| 50512-251-24 | Shaft Insulator             | 50903-401-13 | Pin                            |
| 50512-251-25 | Shaft Insulator             | 50903-401-14 | Pin                            |
| 5060AT1301   | 13" Adjustable Torque Brake | 50903-401-15 | Pin                            |
| 50901-003-01 | Spring                      | 50903-401-16 | Pin                            |
| 50901-003-02 | Spring                      | 50903-401-17 | Pin                            |
| 50901-003-03 | Spring                      | 50903-401-18 | Pin                            |
| 50901-003-05 | Spring                      | 50903-401-19 | Pin                            |
| 50901-010-01 | Connecting Rod Spring       | 50903-401-20 | Pin                            |

This document utilizes an interactive table of contents to help you jump from one section to another. Click the button to return to the table of contents.

**RETURN TO  
TABLE OF CONTENTS**

*BRAKES*

*CONTACTORS*

*SAFETY LIMIT STOPS*

*MISCELLANEOUS*

*INDEX*

This document utilizes an interactive table of contents to help you jump from one section to another. Click the button to return to the table of contents.

**RETURN TO  
TABLE OF CONTENTS**

*BRAKES*

*CONTACTORS*

*SAFETY LIMIT STOPS*

*MISCELLANEOUS*

*INDEX*

| OEM PART     | DESCRIPTION                       | OEM PART     | DESCRIPTION   |
|--------------|-----------------------------------|--------------|---|
| 50903-401-21 | Outer & Support Lever Pin         | 50904-119-50 | Connecting Rod Lever                                |
| 50903-401-22 | Pin, Series B                     | 50904-121-50 | Armature  |
| 50903-401-23 | Pin                               | 50904-127-50 | Outboard Shoe Lever                                 |
| 50903-401-28 | Base Pin                          | 50904-129-50 | Inboard Shoe Lever                                  |
| 50903-401-29 | Base Pin                          | 50904-132-51 | Coil, 8-11 HP                                       |
| 50903-401-30 | Pin                               | 50904-132-53 | Series Coil, 19 HP - 1 HR Duty, 15 HP - 1/2 HR Duty |
| 50903-401-31 | Pin                               | 50904-132-61 | Coil, Shunt   |
| 50903-402-01 | Locking Pin                       | 50904-132-66 | Coil  |
| 50903-402-02 | Locking Pin                       | 50904-132-69 | Coil  |
| 50903-402-03 | Locking Pin                       | 50904-136-50 | Manual Release Nut                                  |
| 50903-402-04 | Locking Pin                       | 50904-137-50 | Yoke  |
| 50903-403-03 | Rivet                             | 50904-139-01 | Armature Gap Indicator                              |
| 50903-404-01 | Lining Wear Indicator             | 50904-140-50 | Centering Bracket Assy                              |
| 50903-404-02 | Lining Wear Indicator             | 50904-141-01 | Calibration Plate                                   |
| 50903-404-03 | Lining Wear Indicator             | 50904-143-50 | Magnet Case Cover Assembly                          |
| 50903-404-04 | Lining Wear Indicator             | 50904-154-50 | Star Wheel Stop Nut Assembly                        |
| 50903-404-05 | Lining Wear Indicator             | 50904-158-01 | Connecting Rod                                      |
| 50903-405-01 | Spring Seat                       | 50904-160-01 | Ratchet Rod   |
| 50903-405-04 | Spring Seat                       | 50904-161-01 | Ratchet Rod Guide                                   |
| 50903-405-05 | Spring Seat                       | 50904-164-50 | Crank Assembly                                      |
| 50903-407-01 | Latch Pin                         | 50904-166-01 | Lead Bushing  |
| 50903-407-02 | Latch Pin                         | 50904-167-01 | Terminal Shield                                     |
| 50903-407-03 | Latch Pin                         | 50904-215-50 | Armature  |
| 50903-407-04 | Latch Pin                         | 50904-218-50 | Magnet Case & Base Assembly                         |
| 50903-407-05 | Latch Pin                         | 50904-223-01 | Magnet Case   |
| 50903-407-06 | Latch Pin                         | 50904-224-56 | Coil  |
| 50903-411-50 | Nut and Washer Assembly           | 50904-224-57 | Coil, F-1023  |
| 50903-411-51 | Elastic Stop Nut Assembly         | 50904-224-58 | Coil, F-1024  |
| 50903-411-52 | Elastic Stop Nut Assembly         | 50904-224-59 | Series Coil, 23 HP - 1 HR Duty, 18 HP - 1/2 HR Duty |
| 50903-415-01 | Crank Pin                         | 50904-224-60 | Coil, F-1029  |
| 50903-415-02 | Crank Pin                         | 50904-224-61 | Coil, F-1026  |
| 50903-415-03 | Crank Pin                         | 50904-224-68 | Coil, F-1070  |
| 50903-415-04 | Crank Pin                         | 50904-224-70 | Shunt Coil, F-1072                                  |
| 50903-415-05 | Crank Pin                         | 50904-224-73 | Coil  |
| 50903-415-06 | Crank Pin                         | 50904-224-75 | Coil, F-1077  |
| 50903-427-01 | Jam Nut, LH                       | 50904-226-01 | Armature Gap Indicator                              |
| 50903-805-51 | Self-Adj. Shoe Mechanism Kit      | 50905-101-50 | Shoe Assembly with Lining                           |
| 50903-805-52 | Self-Adj. Shoe Mechanism Kit      | 50905-107-50 | Base  |
| 50903-805-53 | Self-adjusting Shoe Mechanism     | 50905-109-50 | Magnet Case   |
| 50903-805-54 | Self-Adj. Shoe Mechanism Kit      | 50905-115-50 | Connecting Link                                     |
| 50903-808-51 | Shoe Lining Kit                   | 50905-117-50 | Connecting Rod Assembly                             |
| 50903-808-52 | Shoe Lining Kit                   | 50905-119-50 | Connecting Rod Lever                                |
| 50903-808-53 | Shoe Lining Kit                   | 50905-121-50 | Armature  |
| 50903-808-54 | Shoe Lining Kit                   | 50905-127-50 | Outboard Shoe Lever                                 |
| 50903-808-55 | Shoe Lining Kit                   | 50905-129-50 | Inboard Shoe Lever                                  |
| 50903-808-56 | Shoe Lining Kit                   | 50905-132-52 | Coil  |
| 50903-808-57 | Brake Block                       | 50905-132-55 | Coil  |
| 50903-809-51 | Assorted Hardware Package         | 50905-132-57 | Coil  |
| 50903-809-52 | Assorted Hardware Package         | 50905-132-58 | Coil, 32-42.5 HP                                    |
| 50903-809-53 | Assorted Hardware Package         | 50905-132-59 | Coil, 35-47 HP, (Series A Brake)                    |
| 50903-809-54 | Assorted Hardware Package         | 50905-132-71 | Coil  |
| 50903-809-55 | Assorted Hardware Package         | 50905-132-78 | Coil  |
| 50903-809-56 | Assorted Hardware Package         | 50905-136-50 | Manual Release Nut                                  |
| 50903-814-51 | Self-Adjusting Shoe Mechanism Kit | 50905-137-50 | Yoke  |
| 50903-814-53 | Self-adjusting Shoe Mechanism Kit | 50905-140-50 | Centering Bracket                                   |
| 50903-814-54 | Self Adj. Shoe Mechanism Kit      | 50905-141-01 | Calibration Plate                                   |
| 50903-814-55 | Self-Adj. Shoe Mechanism Kit      | 50905-143-50 | Magnet Case Cover Assembly                          |
| 50903-814-56 | Self Adj. Shoe Mechanism Kit      | 50905-154-50 | Star Wheel Stop Nut Assembly                        |
| 50903-814-57 | Self-Adj. Shoe Mechanism Kit      | 50905-158-01 | Connecting Rod                                      |
| 50903-826-50 | Crank Assembly                    | 50905-160-01 | Ratchet Rod   |
| 50903-827-03 | Base Bushings                     | 50905-164-50 | Crank Assembly                                      |
| 50903-827-05 | Base Bushing                      | 50905-167-01 | Terminal Shield                                     |
| 50904-101-50 | Shoe Assembly with Lining         | 50905-168-01 | Lead Bushing  |
| 50904-107-50 | Base                              | 50905-215-50 | Armature  |
| 50904-109-50 | Magnet Case                       | 50905-218-50 | Magnet Case & Base Assembly                         |
| 50904-115-50 | Connecting Link                   |              |   |
| 50904-117-50 | Connecting Rod Assembly           |              |   |

| OEM PART     | DESCRIPTION                      | OEM PART     | DESCRIPTION                   |
|--------------|----------------------------------|--------------|-------------------------------|
| 50905-223-01 | Magnet Case Cover                | 50907-129-50 | Inboard Shoe Lever Assembly   |
| 50905-224-57 | Coil                             | 50907-131-54 | Coil, 134-178 HP              |
| 50905-224-58 | Coil, 40-50 HP                   | 50907-131-55 | Coil, 116-155 HP              |
| 50905-224-59 | Coil, 31-39 HP                   | 50907-131-56 | Coil, 90-120 HP               |
| 50905-224-60 | Coil, 24-30 HP                   | 50907-132-53 | Coil                          |
| 50905-224-62 | Coil                             | 50907-132-54 | Series Coil                   |
| 50905-224-69 | Coil                             | 50907-132-68 | Shunt Coil                    |
| 50905-224-71 | Coil                             | 50907-134-01 | Lead Bushing                  |
| 50905-224-74 | Coil                             | 50907-135-01 | Manual Release Nut            |
| 50905-224-76 | Coil, F-1375                     | 50907-137-50 | Yoke Assembly                 |
| 50905-224-77 | Coil, 140 VDC 8 Hr. Duty         | 50907-139-01 | Armature Gap Indicator        |
| 50905-515-50 | Crank Assembly                   | 50907-140-50 | Centering Bracket Assembly    |
| 50906-101-50 | Shoe Assembly with Lining        | 50907-141-01 | Calibration Plate             |
| 50906-107-50 | Base                             | 50907-143-50 | Magnet Case Cover Assembly    |
| 50906-109-50 | Magnet Case                      | 50907-144-01 | Terminal Shield               |
| 50906-115-50 | Connecting Link                  | 50907-154-50 | Star Wheel Stop Nut Assembly  |
| 50906-117-50 | Connecting Rod Assembly          | 50907-156-01 | Spacer                        |
| 50906-119-50 | Connecting Rod Lever             | 50907-158-01 | Connecting Rod                |
| 50906-121-50 | Armature                         | 50907-160-01 | Ratchet Rod                   |
| 50906-127-50 | Outboard Shoe Lever              | 50907-161-01 | Ratchet Rod Guide             |
| 50906-129-50 | Inboard Shoe Lever               | 50907-164-50 | Crank Assembly                |
| 50906-132-56 | Coil, 42 Hp 1/2 Hr., 34 Hp 1 Hr. | 50907-165-50 | Ratchet Rod End w/Bearings    |
| 50906-132-57 | Coil, 45-57 HP                   | 50907-198-01 | Retainer for Star- Wheel      |
| 50906-132-58 | Coil, 54-68 HP                   | 50907-199-01 | Positioning Block             |
| 50906-132-59 | Coil                             | 50908-101-50 | Shoe Assembly                 |
| 50906-132-64 | Coil, Rectifier Operated         | 50908-102-50 | Base and Magnet Case Assembly |
| 50906-132-68 | Shunt Coil                       | 50908-109-01 | Adjusting Nut                 |
| 50906-136-50 | Manual Release Nut               | 50908-115-50 | Connecting Link Assembly      |
| 50906-137-50 | Yoke                             | 50908-117-50 | Connector Rod Assembly        |
| 50906-139-01 | Armature Gap Indicator           | 50908-119-50 | Connecting Rod Lever          |
| 50906-140-50 | Centering Bracket                | 50908-121-50 | Armature Assembly             |
| 50906-141-01 | Calibration Plate                | 50908-127-50 | Outboard Shoe Lever Assembly  |
| 50906-143-50 | Magnet Case Cover Assembly       | 50908-129-50 | Inboard Shoe Lever Assembly   |
| 50906-154-50 | Star Wheel Stop Nut Assembly     | 50908-131-52 | Series Coil                   |
| 50906-158-01 | Connecting Rod                   | 50908-131-53 | Coil, 180-245 HP              |
| 50906-160-01 | Ratchet Rod                      | 50908-131-54 | Coil, 120-170 HP              |
| 50906-161-01 | Ratchet Rod Guide                | 50908-131-55 | Series Coil                   |
| 50906-164-50 | Crank Assembly                   | 50908-132-58 | Coil, 90-125 HP               |
| 50906-165-50 | Ratchet Rod End Block            | 50908-132-63 | Shunt Coil                    |
| 50906-166-01 | Lead Bushing                     | 50908-136-50 | Manual Release Nut Assy.      |
| 50906-167-01 | Terminal Shield                  | 50908-137-51 | Yoke Assembly                 |
| 50906-215-50 | Armature                         | 50908-139-01 | Armature Gap Indicator        |
| 50906-218-50 | Magnet Case & Base Assembly      | 50908-140-50 | Center Bracket Assembly       |
| 50906-223-01 | Magnet Case Cover                | 50908-141-01 | Calibration Plate             |
| 50906-224-56 | Coil, 76 HP 1 Hr., 96 HP 1/2 Hr. | 50908-143-50 | Magnet Case Cover Assembly    |
| 50906-224-57 | Coil, 59-77 HP                   | 50908-154-50 | Star Wheel Stop Nut Assy      |
| 50906-224-58 | Series Coil                      | 50908-155-01 | Star Wheel Retainer           |
| 50906-224-59 | Coil                             | 50908-157-50 | Connecting Rod Positioner     |
| 50906-224-71 | Coil                             | 50908-158-01 | Connecting Rod                |
| 50906-224-73 | Coil                             | 50908-160-01 | Ratchet Rod                   |
| 50906-224-75 | Shunt Coil                       | 50908-161-01 | Ratchet Rod Guide             |
| 50906-226-01 | Armature Gap Indicator           | 50908-164-50 | Crank Assembly                |
| 50906-228-50 | Centering Bracket                | 50908-166-01 | Lead Bushing                  |
| 50906-230-01 | Terminal Shield                  | 50908-167-01 | Terminal Shield               |
| 50906-515-50 | Crank Assembly                   | 50908-215-50 | Manual Release Nut Assembly   |
| 50906-516-01 | Connecting Rod                   | 50908-224-50 | Connecting Link Assembly      |
| 50906-517-51 | Connecting Rod End Bearing       | 50908-227-50 | Yoke Assembly                 |
| 50907-101-50 | Shoe Assembly, Includes Lining   | 50908-231-50 | Centering Bracket Assembly    |
| 50907-102-50 | Base and Magnet Case Assembly    | 50908-232-50 | Connecting Rod Assembly       |
| 50907-109-01 | Adjusting Nut                    | 50908-237-50 | Armature Assembly             |
| 50907-113-01 | Stop Nut                         | 50908-238-01 | Magnet Case Cover             |
| 50907-115-50 | Connecting Link Assembly         | 50908-241-50 | Base and Magnet Case Assembly |
| 50907-117-50 | Connecting Rod Assembly          | 50908-243-50 | Inboard Shoe Lever Assembly   |
| 50907-119-50 | Connecting Rod Lever Assembly    | 50908-246-50 | Outboard Shoe Lever Assembly  |
| 50907-121-50 | Armature Assembly                | 50908-249-50 | Connecting Rod Lever          |
| 50907-127-50 | Outboard Shoe Lever Assembly     | 50908-251-59 | Coil                          |

This document utilizes an interactive table of contents to help you jump from one section to another. Click the button to return to the table of contents.

**RETURN TO  
TABLE OF CONTENTS**

*BRAKES*

*CONTACTORS*

*SAFETY LIMIT STOPS*

*MISCELLANEOUS*

*INDEX*

This document utilizes an interactive table of contents to help you jump from one section to another. Click the button to return to the table of contents.

**RETURN TO  
TABLE OF CONTENTS**

*BRAKES*

*CONTACTORS*

*SAFETY LIMIT STOPS*

*MISCELLANEOUS*

*INDEX*

| OEM PART     | DESCRIPTION  | OEM PART     | DESCRIPTION   |
|--------------|--|--------------|---|
| 50908-251-62 | Coil   | 51001-071-65 | Brake Block Kit                                     |
| 50908-251-66 | Shunt Coil   | 51003-046-02 | 13" Brake Wheel                                     |
| 50908-252-51 | Coil, 80-102 HP  | 51007-010-50 | Magnet Assembly                                     |
| 50908-252-52 | Coil, 90-117 HP  | 51007-012-50 | Frame Assembly                                      |
| 50908-252-53 | Coil, 127-160 HP   | 51007-013-50 | Brake Shoe Assembly                                 |
| 50908-252-54 | Coil   | 51007-014-50 | Shoe Lever Assembly                                 |
| 50908-252-55 | Coil, 162-206 HP   | 51007-015-50 | Shoe Support Lever Assembly                         |
| 50908-252-56 | Coil, 185-235 HP   | 51007-016-50 | Shoe Lever Assembly                                 |
| 50908-252-57 | Coil, 252-320 HP   | 51007-017-01 | Connecting Rod Link, RH                             |
| 50908-252-58 | Coil, 290-365 HP   | 51007-017-02 | Connecting Rod Link, LH                             |
| 50908-254-01 | Terminal Shield  | 51007-017-03 | Connecting Rod                                      |
| 50908-259-01 | Connecting Rod   | 51007-017-50 | Connecting Rod Assembly                             |
| 50908-260-50 | Connecting Rod Assembly  | 51007-018-50 | Armature Assembly                                   |
| 50908-261-01 | Ratchet Rod  | 51007-019-01 | Magnet Case   |
| 50908-262-50 | Action Rod Assy.   | 51007-019-02 | Gasket  |
| 50908-263-50 | Crank Assembly   | 51007-019-50 | Magnet Case Assembly                                |
| 50908-411-50 | Nut & Washer Assembly  | 51007-020-01 | Magnet Faceplate                                    |
| 50909-001-01 | Lining Wear Indicator  | 51007-021-01 | Manual Release Screw                                |
| 50909-003-50 | Brake Shoe Assembly  | 51007-021-02 | Manual Release Nut                                  |
| 50909-004-50 | Brake Shoe Unlined   | 51007-022-01 | Brake Shoe  |
| 50909-005-01 | Connecting Rod   | 51007-023-01 | Bearing   |
| 50909-005-50 | Connecting Rod Assembly  | 51007-026-01 | Brake Block   |
| 50909-006-50 | Connecting Rod Link, RH  | 51007-027-01 | Torque Screw Plate                                  |
| 50909-006-51 | Connecting Rod Link, LH  | 51007-027-02 | Torque Screw  |
| 50909-007-50 | Frame Assembly   | 51007-027-51 | Torque Screw Assembly                               |
| 50909-008-50 | Shoe Lever Assembly, Outboard  | 51007-028-01 | Shoe Clamp  |
| 50909-009-50 | Shoe Lever Assembly, Inner   | 51007-029-01 | Lead Bushing For Wire Wound Coil                    |
| 50909-010-50 | Shoe Support Lever Assembly  | 51007-029-02 | Lead Bushing For Strap Wound Coil                   |
| 50909-011-51 | Armature Assembly  | 51007-029-03 | Lead Gasket   |
| 50909-013-01 | Magnet Case Cover  | 51007-029-04 | Lead Bushing Clamp                                  |
| 50909-014-01 | Magnet Case  | 51007-029-05 | Junction Box Cover                                  |
| 50909-015-01 | Armature Gap Indicator   | 51007-029-06 | Cover Gasket  |
| 50909-016-55 | Encapsulated Series Coil With Steel Core<br>Rated 230 HP 1 HR., 300 HP 1/2 HR. | 51007-030-50 | Virtual Center Assembly, RH for Type T 30"<br>Brake |
| 50909-016-56 | Coil   | 51007-030-51 | Virtual Center Assembly, LH for Type T 30"<br>Brake |
| 50909-016-57 | Coil, 315 HP - 1 HR Duty, 410 HP - 1/2 HR<br>Duty. Potted On Steel Core        | 51007-031-01 | Terminal Shield                                     |
| 50909-016-58 | Brake Coil, 30" Series   | 51007-032-01 | Junction Box  |
| 50909-017-52 | F-3051 Shunt Brake Coil  | 51007-035-01 | Non-Magnetic Spacer                                 |
| 50909-017-57 | F-3056 Shunt Brake Coil  | 51007-037-52 | Shunt Coil  |
| 50909-020-01 | Terminal Shield  | 51007-038-50 | Coil, 440-580 HP                                    |
| 51001-023-54 | Oil and Hardener Kit   | 51007-038-52 | Coil, 315-410 HP                                    |
| 51001-066-53 | Manual Release Nut   | 51007-038-53 | Coil, 290-385 HP                                    |
| 51001-067-01 | Manual Release Nut   | 51007-038-54 | Coil, 230-305 HP                                    |
| 51001-067-02 | Manual Release Nut   | 51007-038-55 | Coil, 175-235 HP                                    |
| 51001-067-03 | Manual Release Nut   | 51007-039-01 | Pin   |
| 51001-067-04 | Manual Release Nut   | 51007-039-02 | Outer Lever/Support Lever Pin                       |
| 51001-067-05 | Manual Release Nut   | 51007-039-03 | Armature Pin  |
| 51001-067-06 | Manual Release Nut   | 51007-040-01 | Operating Spring                                    |
| 51001-070-01 | Rivet  | 51007-042-03 | Bearing, (Type T 30")                               |
| 51001-070-02 | Rivets   | 51007-043-01 | Bracket   |
| 51001-070-03 | Rivet  | 51007-046-01 | Bearing (Type F 30")                                |
| 51001-070-04 | Lining Rivet   | 51007-047-02 | Brake Wheel   |
| 51001-070-05 | Rivet  | 51007-094-01 | Bracket   |
| 51001-070-06 | Lining Rivet   | 51009-010-01 | Frame   |
| 51001-071-50 | Brake Block Kit 8"   | 51009-010-50 | Frame Assembly                                      |
| 51001-071-51 | Brake Block Kit  | 51009-011-01 | Main Armature                                       |
| 51001-071-52 | Brake Block Kit  | 51009-011-50 | Main Armature Assembly                              |
| 51001-071-53 | Brake Block Kit  | 51009-013-50 | Spring Rod Assembly                                 |
| 51001-071-54 | Brake Block Kit  | 51009-014-01 | Shoe Lever  |
| 51001-071-55 | Lining Kit   | 51009-015-01 | L-Lever   |
| 51001-071-59 | Brake Block Kit  | 51009-015-50 | L-Lever Assembly                                    |
| 51001-071-60 | Lining Kit   | 51009-016-50 | Connecting Rod Assembly                             |
| 51001-071-61 | Brake Block Kit  | 51009-017-01 | Anti-Drag Lever                                     |
| 51001-071-62 | Brake Lining   | 51009-018-01 | Spring Adjuster                                     |
| 51001-071-63 | Brake Block Kit  | 51009-019-01 | Thrust Pad  |
| 51001-071-64 | Brake Block Kit  | 51009-020-01 | Thrust Pin  |



| OEM PART     | DESCRIPTION                  | OEM PART     | DESCRIPTION                   |
|--------------|------------------------------|--------------|-------------------------------|
| 51009-022-01 | Spring Rod Link              | 51015-056-58 | Coil, 100 Volt                |
| 51009-022-50 | Spring Rod Link Assembly     | 51015-056-59 | Coil, 60 Volt                 |
| 51009-023-01 | Main Magnet Case             | 51015-056-60 | Coil, 45 Volt                 |
| 51009-024-50 | Coil                         | 51015-056-61 | Coil, 36 Volt                 |
| 51009-024-52 | Coil                         | 51015-056-62 | Coil, 24 Volt                 |
| 51009-028-01 | Terminal Box Cover           | 51015-056-63 | Coil, 12 Volt                 |
| 51009-028-02 | Terminal Box Cover Gasket    | 51015-056-64 | Coil, 6 Volt                  |
| 51009-029-01 | Link, RH                     | 51015-059-01 | Aux Arm Pin                   |
| 51009-029-02 | Link, LH                     | 51015-061-01 | Contact Arm Pin               |
| 51009-039-01 | Coil Retaining Plate         | 51015-067-51 | Coil                          |
| 51009-049-50 | Magnet Assembly              | 51015-067-54 | Coil                          |
| 51009-051-50 | Auxiliary Magnet             | 51015-145-50 | Auxiliary Arm                 |
| 51009-052-01 | Spring Rod                   | 51015-205-50 | Blowout Coil Assembly         |
| 51009-052-02 | Auxiliary Armature           | 51015-211-01 | Magnet Frame                  |
| 51009-052-50 | Assembled Spring Rod         | 51015-221-50 | Arc Chute                     |
| 51009-053-01 | Jam Nut, Series A            | 51016-050-50 | Assembled Connector           |
| 51009-053-02 | Special Nut                  | 51016-209-02 | Stationary Contact Support    |
| 51009-055-50 | Parking Coil                 | 51016-210-01 | Coil Core                     |
| 51009-056-01 | Auxiliary Magnet Case        | 51016-213-50 | Coil                          |
| 51009-067-51 | Coil                         | 51016-214-50 | Arc Shield                    |
| 51011-010-01 | Frame                        | 51016-215-50 | Contact Base                  |
| 51011-010-50 | Frame Assembly               | 51016-217-01 | Blowout Coil Mounting Bracket |
| 51011-011-01 | Service Brake Armature       | 51016-218-01 | Shoulder Screw                |
| 51011-011-50 | Service Brake Armature Assy. | 51016-220-50 | Shunt                         |
| 51011-014-01 | Shoe Lever                   | 51016-221-50 | Arc Chute                     |
| 51011-014-50 | Shoe Lever Assembly          | 51016-224-50 | Contact Arm                   |
| 51011-015-01 | L-Lever                      | 51016-224-51 | Contact Arm Assembly          |
| 51011-015-50 | L-Lever Assembly             | 51016-225-50 | Movable Contact Tip (copper)  |
| 51011-016-50 | Connecting Rod Assembly      | 51016-228-50 | Magnet Frame                  |
| 51011-017-01 | Drag Link                    | 51016-231-01 | Blowout Core                  |
| 51011-017-50 | Drag Link Assembly           | 51016-232-01 | Adjusting Screw               |
| 51011-018-01 | Spring Adjuster              | 51016-233-50 | Armature Plate Assembly       |
| 51011-019-01 | Thrust Pad                   | 51016-241-01 | Clevis Pin                    |
| 51011-020-01 | Thrust Pin                   | 51017-018-50 | Contact Arm                   |
| 51011-022-01 | Spring Rod Link              | 51017-028-50 | Assembled Contactor Base      |
| 51011-022-50 | Spring Rod Link Assembly     | 51017-029-01 | Block                         |
| 51011-024-52 | Service Magnet Coil          | 51017-032-01 | Blowout Ear                   |
| 51011-029-50 | Link, R.H.                   | 51017-033-01 | Blowout Guard                 |
| 51011-029-51 | Link, L.H.                   | 51017-034-01 | Arc Shield Spring             |
| 51011-030-01 | Coil Retaining Plate         | 51017-035-50 | Assembled Arc Chute           |
| 51011-031-01 | Terminal Box Cover           | 51017-037-50 | Assembled Magnet Frame        |
| 51011-031-02 | Terminal Box Gasket          | 51017-040-50 | Assembled Coil Core           |
| 51011-036-01 | Armature Pin                 | 51017-041-01 | Spring Washer                 |
| 51011-036-02 | Shoe Pin                     | 51017-043-01 | Armature                      |
| 51011-036-03 | Shoe Lever Pin               | 51017-044-01 | Contact Arm                   |
| 51011-047-50 | Parking Magnet Assembly      | 51017-045-50 | Aux. Arm                      |
| 51011-048-01 | Parking Magnet Case          | 51017-050-50 | Assembled Connector           |
| 51011-049-50 | Parking Coil                 | 51017-052-01 | Block                         |
| 51011-049-51 | Parking Magnet Coil          | 51017-053-01 | Stop Plate                    |
| 51011-050-01 | Spring Rod                   | 51017-054-50 | Blowout Coil                  |
| 51011-056-50 | Magnet Assembly              | 51017-056-50 | Coil 240 Volt                 |
| 51011-057-50 | Service Magnet Assembly      | 51017-056-51 | Coil 120 Volt                 |
| 51011-058-01 | Parking Magnet Armature      | 51017-056-54 | Coil, 300 Volt                |
| 51011-059-01 | Service Magnet Case          | 51017-056-55 | Coil, 190 Volt                |
| 51011-061-51 | Spring Rod Assembly          | 51017-056-56 | Coil, 150 Volt                |
| 51011-063-01 | Centering Spring Stud        | 51017-056-57 | Coil, 100 Volt                |
| 51015-030-50 | B/O Coil                     | 51017-056-58 | Coil, 75 Volt                 |
| 51015-035-50 | Arc Shield                   | 51017-056-59 | Coil 60 Volt                  |
| 51015-050-50 | Assembled Connector          | 51017-056-60 | Coil, 45 Volt                 |
| 51015-054-50 | Blowout Coil                 | 51017-056-61 | Coil, 36 Volt                 |
| 51015-056-50 | Coil 240V                    | 51017-056-62 | Coil, 24 Volt                 |
| 51015-056-51 | Coil 120V                    | 51017-056-63 | Coil, 12 Volt                 |
| 51015-056-54 | Coil, 300 Volt               | 51017-056-64 | Coil, 6 Volt                  |
| 51015-056-55 | Coil, 190 Volt               | 51017-059-01 | Pin                           |
| 51015-056-56 | Coil, 150 VDC                | 51017-061-01 | Pin                           |
| 51015-056-57 | Coil, 75 Volt                | 51017-067-50 | Coil 300Volt                  |

This document utilizes an interactive table of contents to help you jump from one section to another. Click the button to return to the table of contents.

**RETURN TO  
TABLE OF CONTENTS**

*BRAKES*

*CONTACTORS*

*SAFETY LIMIT STOPS*

*MISCELLANEOUS*

*INDEX*

This document utilizes an interactive table of contents to help you jump from one section to another. Click the button to return to the table of contents.

**RETURN TO  
TABLE OF CONTENTS**

*BRAKES*

*CONTACTORS*

*SAFETY LIMIT STOPS*

*MISCELLANEOUS*

*INDEX*

| OEM PART     | DESCRIPTION                                | OEM PART     | DESCRIPTION                    |
|--------------|--|--------------|--------------------------------|
| 51017-067-51 | Coil                                       | 51019-157-50 | Blowout Coil Assembly, Size 5A |
| 51017-067-52 | Coil                                       | 51019-204-50 | Shunt                          |
| 51017-067-53 | Coil                                       | 51019-204-51 | Shunt, Size 5A                 |
| 51017-067-55 | Coil 100V                                  | 51019-205-50 | Blowout Coil Assembly          |
| 51017-067-56 | Coil 75 V                                  | 51019-214-50 | Contact Arm                    |
| 51017-067-57 | Coil 60 V                                  | 51019-214-51 | Contact Arm                    |
| 51017-067-58 | Coil 45 V                                  | 51019-217-50 | Arc Chute                      |
| 51017-067-59 | Coil 36 V                                  | 51019-222-50 | Latch Plate                    |
| 51017-067-60 | Coil 24 V                                  | 51019-223-50 | Magnet Frame                   |
| 51017-067-61 | Coil 12 V                                  | 51019-229-50 | Contact Arm Support            |
| 51017-067-62 | Coil 6 V                                   | 51019-230-01 | Contact Arm Support            |
| 51017-076-50 | Assembled Magnet Frame                     | 51019-233-01 | Armature Plate                 |
| 51017-102-01 | Pin  | 51019-234-01 | Armature Plate                 |
| 51017-103-50 | Contact Arm Assembly W/bushings            | 51019-237-01 | Blowout coil Guard             |
| 51017-145-50 | Aux. Arm                                   | 51019-238-50 | Contact Base                   |
| 51017-204-50 | Connector                                  | 51019-239-01 | Auxiliary Arm Spring Retainer  |
| 51017-205-50 | Blowout Coil Assembly                      | 51019-243-52 | Coil, 300 Volt                 |
| 51017-214-50 | Contact Arm                                | 51019-243-53 | Coil, 230/240 Volt             |
| 51017-214-51 | Contact Arm                                | 51019-243-54 | Coil, 190 Volt                 |
| 51017-217-50 | Arc Chute                                  | 51019-243-55 | Coil, 150 Volt                 |
| 51017-222-50 | Magnetic Latch Assembly                    | 51019-243-56 | Coil, 115/120 Volt             |
| 51017-223-50 | Magnet Frame                               | 51019-243-57 | Coil, 100 Volt                 |
| 51017-226-50 | Magnet Frame                               | 51019-243-58 | Coil, 75 Volt                  |
| 51017-229-50 | Contact Arm Support                        | 51019-243-59 | Coil, 60 Volt                  |
| 51017-230-01 | Contact Arm Support                        | 51019-243-60 | Coil, 45 Volt                  |
| 51017-233-01 | Armature Plate                             | 51019-243-61 | Coil, 36 Volt                  |
| 51017-234-01 | Armature Plate                             | 51019-243-62 | Coil, 24 Volt                  |
| 51017-237-01 | Blowout Coil Guard                         | 51019-243-63 | Coil, 12 Volt                  |
| 51017-238-50 | Contact Base                               | 51019-243-64 | Coil, 6 Volt                   |
| 51017-239-01 | Auxiliary Arm Spring Retainer              | 51019-251-03 | Auxiliary Arm Pin              |
| 51017-242-50 | Aux. Arm                                   | 51019-251-04 | Contact Arm Pin                |
| 51017-243-50 | Stop Bracket                               | 51019-251-05 | Auxiliary Arm Pin              |
| 51017-251-01 | Base Plate                                 | 51019-251-06 | Pin                            |
| 51017-252-01 | Auxiliary Arm Spring Retainer              | 51019-251-07 | Aux. Arm Pin                   |
| 51018-050-50 | Assembled Connector                        | 51019-251-08 | Contact Arm Pin                |
| 51018-204-50 | Connector                                  | 51019-251-10 | Pin                            |
| 51018-204-51 | Connector                                  | 51019-255-50 | Auxiliary Arm                  |
| 51018-253-53 | Bulk pack of 15 sets (copper contact tips) | 51019-258-50 | Stop Bracket                   |
| 51019-028-50 | Assembled Contactor Base                   | 51019-274-01 | Coil                           |
| 51019-029-01 | Bottom Terminal Block                      | 51019-284-01 | Magnetic Latch                 |
| 51019-032-01 | Blowout Ear                                | 51019-287-50 | Blowout Coil Assembly          |
| 51019-033-01 | Blowout Guard                              | 51019-306-50 | Latch Plate Kit                |
| 51019-034-01 | Arc Shield Spring                          | 51020-016-87 | Contact Base                   |
| 51019-035-50 | Assembled Arc Chute                        | 51020-024-50 | Term Strip                     |
| 51019-037-50 | Assembled Magnet Frame                     | 51020-025-01 | Mtg. Pan                       |
| 51019-040-50 | Assembled Coil Core                        | 51020-026-01 | Ins'g Support (L)              |
| 51019-041-01 | Spring Washer                              | 51020-026-02 | Ins'g Support (R)              |
| 51019-043-01 | Armature                                   | 51020-027-01 | Mtg. Strip                     |
| 51019-044-01 | Contact Arm                                | 51020-028-01 | Base                           |
| 51019-045-50 | Auxiliary Arm                              | 51020-032-01 | B/O Ear                        |
| 51019-050-50 | Assembled Connector                        | 51020-033-01 | B/O Guard                      |
| 51019-052-01 | Block                                      | 51020-035-50 | Arc Chute                      |
| 51019-053-01 | Stop Plate                                 | 51020-037-51 | Base                           |
| 51019-054-50 | Blowout Coil & Terminal Block              | 51020-039-01 | Clamp Plate                    |
| 51019-056-50 | Coil 240 V                                 | 51020-041-01 | Spring Washer                  |
| 51019-056-51 | Coil 120 V                                 | 51020-042-01 | Insulator                      |
| 51019-059-01 | Pin  | 51020-043-02 | Armature                       |
| 51019-061-01 | Pin  | 51020-044-02 | Contact Arm                    |
| 51019-067-51 | Coil                                       | 51020-045-50 | Aux. Arm                       |
| 51019-067-54 | Operating Coil 120V                        | 51020-046-01 | Arm Pin                        |
| 51019-070-50 | Assembled Coil Core                        | 51020-047-01 | Contact Arm Pin                |
| 51019-071-01 | Spacer                                     | 51020-050-50 | Assem. Conn                    |
| 51019-072-01 | Cap  | 51020-052-01 | Lk. Plate                      |
| 51019-073-01 | Stop Plate                                 | 51020-054-50 | B/O Coil Assy                  |
| 51019-102-01 | Pin  | 51020-056-71 | Coil 240V                      |
| 51019-145-50 | Auxiliary Arm                              | 51020-056-74 | Coil, 115-120 VDC              |
|              |  | 51020-059-01 | Insulator                      |

| OEM PART     | DESCRIPTION                     | OEM PART     | DESCRIPTION                   |
|--------------|---------------------------------|--------------|-------------------------------|
| 51020-060-01 | Bot. Term Mount B               | 51021-117-50 | Arc Chute                     |
| 51020-061-01 | Term Block                      | 51021-122-53 | Tip                           |
| 51020-062-01 | Bushing                         | 51021-129-01 | Pin                           |
| 51020-065-01 | Arc Chute Brkt.                 | 51022-041-02 | Spring Washer                 |
| 51020-067-71 | Coil                            | 51022-046-01 | Pin                           |
| 51020-071-01 | Core Cap Spacer                 | 51022-056-70 | Coil, 300 Volt                |
| 51020-072-01 | Core Cap                        | 51022-056-71 | Coil, 230/240 Volt            |
| 51020-073-01 | Stop Plate                      | 51022-056-72 | Coil, 190 Volt                |
| 51020-074-51 | Contact Arm                     | 51022-056-73 | Coil, 150 Volt                |
| 51020-091-01 | Nut                             | 51022-056-74 | Coil, 115/120 Volt            |
| 51020-092-01 | Insulator                       | 51022-056-75 | Coil, 100 Volt                |
| 51020-204-50 | Connector                       | 51022-056-76 | Coil, 75 Volt                 |
| 51020-205-50 | Blowout Coil Assembly           | 51022-056-77 | Coil, 60 Volt                 |
| 51020-214-50 | Contact Arm                     | 51022-056-78 | Coil, 45 Volt                 |
| 51020-214-51 | Contact Arm                     | 51022-056-79 | Coil, 36 Volt                 |
| 51020-217-50 | Arc Chute                       | 51022-056-80 | Coil, 24 Volt                 |
| 51020-223-50 | Magnet Frame                    | 51022-056-81 | Coil, 12 Volt                 |
| 51020-226-50 | Frame                           | 51022-057-01 | Bushings                      |
| 51020-229-50 | Contact Arm Support             | 51022-058-01 | Bushings                      |
| 51020-230-01 | Contact Arm Support             | 51022-066-01 | Blowout Coil                  |
| 51020-232-50 | Aux Arm Assembly                | 51022-067-71 | Coil                          |
| 51020-233-01 | Armature Plate                  | 51022-074-50 | Contact Arm                   |
| 51020-234-01 | Armature Plate                  | 51022-138-50 | Blowout Coil Assembly         |
| 51020-238-50 | Contact Base                    | 51031-035-50 | Contact Spring Bracket        |
| 51020-239-01 | Retainer                        | 51031-040-50 | Blowout Core                  |
| 51020-243-52 | Coil 300 Volts                  | 51031-076-01 | Shunt                         |
| 51020-243-53 | Coil 230/240 Volts              | 51047-017-01 | Shaft                         |
| 51020-243-54 | Coil 190 Volts                  | 51047-017-50 | Assembled Shaft               |
| 51020-243-55 | Coil 150 Volts                  | 51047-025-01 | Clutch                        |
| 51020-243-56 | Coil 115/120V                   | 51047-036-50 | Assembled Connector           |
| 51020-243-57 | Coil 100 Volt                   | 51049-014-01 | Operating Arm                 |
| 51020-243-58 | Coil 75 Volt                    | 51049-014-03 | Operating Pin                 |
| 51020-243-59 | Coil 60 Volt                    | 51049-015-01 | Control Circuit Operating Arm |
| 51020-243-60 | Coil 45 Volt                    | 51049-032-01 | Roller Cam & Coupling         |
| 51020-243-61 | Coil 36 Volt                    | 51049-032-02 | Coupling Clamp                |
| 51020-243-62 | Coil 24 Volt                    | 51049-033-02 | Roller Bracket Mounting Stud  |
| 51020-243-63 | Coil 12 Volt                    | 51049-033-50 | Roller Bracket Plate          |
| 51020-243-64 | Coil 6 Volt                     | 51049-034-01 | Operating Shaft               |
| 51020-248-50 | Stop Bracket                    | 51049-034-02 | Gasket                        |
| 51020-252-01 | Blowout Coil Guard              | 51049-036-01 | Handle Base                   |
| 51020-256-01 | Auxiliary Arm Spring Retainer   | 51049-037-01 | Stop Plate                    |
| 51020-265-53 | Bulk Package of 30 Contact Tips | 51049-037-50 | Assembled Stop Plate          |
| 51020-283-50 | Blowout Coil Assembly, 800 Amp  | 51064-006-50 | Base Assembly                 |
| 51020-286-50 | Connector, Nema 6A              | 51064-007-50 | Cover Assembly W/Latch        |
| 51021-050-50 | Connector                       | 51064-008-50 | Blowout Coil Assembly         |
| 51021-052-50 | Blowout Coil Guard              | 51064-009-50 | Operating Shaft Assembly      |
| 51021-064-50 | Contact Base                    | 51064-010-50 | Arc Chute Assembly            |
| 51021-066-01 | Blowout Coil Assembly           | 51064-012-01 | Weight Arm                    |
| 51021-068-01 | Aux. Arm Spring Retainer        | 51064-013-50 | Lead Assembly                 |
| 51021-069-01 | Auxiliary Arm Shunt             | 51064-014-01 | Bearing Bracket               |
| 51021-071-01 | Lower Magnetic Latch            | 51064-016-50 | Weight Assembly               |
| 51021-082-50 | Magnetic Latch                  | 51064-017-50 | Wire Rope                     |
| 51021-083-01 | Magnet Frame                    | 51064-020-01 | Contact Board                 |
| 51021-089-01 | Auxiliary Arm Spring Retainer   | 51064-021-01 | Arm                           |
| 51021-092-01 | Armature Plate                  | 51064-022-01 | Arm                           |
| 51021-093-50 | Stop Bracket                    | 51064-022-50 | Arm                           |
| 51021-094-01 | Armature Plate                  | 51064-023-01 | Operating Spring              |
| 51021-099-50 | Contact Arm Support             | 51064-024-01 | Shaft                         |
| 51021-100-50 | Auxiliary Arm                   | 51064-025-51 | Auxiliary Arm                 |
| 51021-104-50 | Shunt                           | 51064-026-01 | Retainer                      |
| 51021-104-51 | Shunt                           | 51064-027-01 | Arc Horn                      |
| 51021-105-50 | Blowout Coil Assembly           | 51064-028-01 | Arc Chute                     |
| 51021-106-01 | Magnet Frame                    | 51064-029-01 | Blowout Ear                   |
| 51021-110-01 | Contact Arm Support             | 51064-030-01 | Bracket                       |
| 51021-115-01 | Contact Arm                     | 51064-033-50 | Flexible Connector Assembly   |
| 51021-115-02 | Contact Arm                     | 51064-034-50 | Blowout Coil Assembly         |

This document utilizes an interactive table of contents to help you jump from one section to another. Click the button to return to the table of contents.

**RETURN TO  
TABLE OF CONTENTS**

*BRAKES*

*CONTACTORS*

*SAFETY LIMIT STOPS*

*MISCELLANEOUS*

*INDEX*

This document utilizes an interactive table of contents to help you jump from one section to another. Click the button to return to the table of contents.

**RETURN TO  
TABLE OF CONTENTS**

*BRAKES*

*CONTACTORS*

*SAFETY LIMIT STOPS*

*MISCELLANEOUS*

*INDEX*

| OEM PART     | DESCRIPTION                             | OEM PART     | DESCRIPTION                    |
|--------------|---|--------------|--------------------------------|
| 51064-036-50 | Latch                                   | 51067-032-50 | Movable Contact Assembly       |
| 51064-038-50 | Mounting Plate Assembly                 | 51067-034-50 | Hood                           |
| 51064-039-01 | Weight                                  | 51067-035-50 | Movable Contact Shaft Assy.    |
| 51064-040-01 | J Bolt                                  | 51067-036-50 | Stationary Contact Shaft Assy. |
| 51064-042-01 | Spring Clip                             | 51067-036-51 | Stationary Contact Shaft Assy. |
| 51064-043-50 | Flexible Connector Assembly             | 51068-005-50 | Frame Assembly                 |
| 51064-045-50 | Rocker Arm & Shaft Assembly             | 51068-007-50 | Top Cover                      |
| 51065-010-50 | Assembled Frame                         | 51068-009-01 | Bus Support                    |
| 51065-011-50 | Cover                                   | 51068-010-50 | Rear Panel Assembly            |
| 51065-012-50 | Assembled Contact Beam                  | 51068-010-51 | Rear Panel Assembly            |
| 51065-013-50 | Contact Arm Assembly                    | 51068-011-01 | Front Bearing Housing          |
| 51065-014-50 | Assembled Operating Arm                 | 51068-012-01 | Bearing Housing                |
| 51065-015-50 | Arc Chute                               | 51068-013-50 | Base Assembly                  |
| 51065-017-01 | Contact Beam                            | 51068-014-50 | Bus Bar Support                |
| 51065-020-50 | Assembled Blowout Coil                  | 51068-015-51 | Contact Shaft Assembly         |
| 51065-022-01 | Moving Contact Block                    | 51068-016-51 | Contact Shaft Assembly         |
| 51065-023-50 | Assembled Flexible Connector            | 51068-017-01 | Shaft                          |
| 51065-024-01 | Arc Guard                               | 51068-017-02 | Shaft                          |
| 51065-025-50 | Assembled Arm Insulator                 | 51068-018-50 | Contact Arm Assembly           |
| 51065-027-01 | Terminal Board                          | 51068-019-01 | Contact Arm Clamp              |
| 51065-028-50 | Assembled Lead                          | 51068-020-50 | Connector Assembly             |
| 51065-028-51 | Assembled Lead                          | 51068-021-01 | Auxiliary Arm                  |
| 51065-029-01 | Operating Shaft                         | 51068-022-03 | Bus Bar                        |
| 51065-030-50 | Assembled Weight Arm                    | 51068-022-50 | Bus Bar, R.H.                  |
| 51065-031-50 | Assembled Weight Arm                    | 51068-022-51 | Bus Bar, L.H.                  |
| 51065-033-50 | Cover Chain                             | 51068-023-50 | Contact Spring Bracket         |
| 51065-034-50 | Assembled Roller Bracket                | 51068-025-01 | Arc Horn                       |
| 51065-037-01 | Operating Arm                           | 51068-026-50 | Rocker Arm Assembly            |
| 51066-008-01 | Arc Horn                                | 51068-027-50 | Trip Assembly                  |
| 51066-010-50 | Barrier                                 | 51068-028-01 | Shaft                          |
| 51066-012-50 | Lead                                    | 51068-029-01 | Operating Arm                  |
| 51066-012-51 | Cable                                   | 51068-030-01 | Torsion Spring                 |
| 51066-014-01 | Blowout Core                            | 51068-031-01 | Latch Arm                      |
| 51066-028-50 | Movable Contact Shaft Assy.             | 51068-032-50 | Stationary Contact Assembly    |
| 51066-029-50 | Stationary Contact Shaft Assembly, R.H. | 51068-032-51 | Stationary Contact Assembly    |
| 51066-029-51 | Stationary Contact Shaft Assembly, L.H. | 51068-033-50 | Base, L.H.                     |
| 51066-030-50 | Movable Contact Assembly                | 51068-034-50 | Base, R.H.                     |
| 51066-030-51 | Blowout Coil & Contact Bracket          | 51068-036-50 | Contact Bracket Assembly       |
| 51066-030-52 | Blowout Coil & Contact Bracket          | 51068-038-50 | Blowout Guard                  |
| 51066-031-50 | Movable Contact Shaft Assy.             | 51068-039-50 | Blowout Ear                    |
| 51066-032-50 | Stat. Contact Shaft Assy, R.H.          | 51068-040-01 | Blowout Ear Spacer             |
| 51066-032-51 | Stat. Contact Shaft Assy, L.H.          | 51068-041-01 | Bus Bar                        |
| 51066-034-50 | Hood                                    | 51068-041-50 | Bus Bar, R.H.                  |
| 51066-034-51 | Hood                                    | 51068-041-51 | Bus Bar, L.H.                  |
| 51066-037-50 | Frame Assembly                          | 51068-041-52 | Bus Bar, R.H.                  |
| 51066-037-51 | Frame                                   | 51068-041-53 | Bus Bar, L.H.                  |
| 51066-039-01 | Non-asbestos Insulator                  | 51068-042-50 | Bus Bar, R.H.                  |
| 51066-041-50 | Frame Assembly                          | 51068-043-50 | Bus Bar, L.H.                  |
| 51066-041-51 | Frame                                   | 51068-044-01 | Bus Bar                        |
| 51066-045-50 | Hood Chain                              | 51068-045-01 | Stop Plate                     |
| 51067-008-01 | Arc Horn                                | 51068-046-50 | Arc Chute                      |
| 51067-010-50 | Arc Barrier                             | 51068-046-51 | Arc Chute                      |
| 51067-012-50 | Lead                                    | 51068-051    | Side Cover Assembly            |
| 51067-012-51 | Cable                                   | 51068-053-50 | Weight Arm Assembly            |
| 51067-014-01 | Blowout Core                            | 51068-053-51 | Weight Arm Assembly            |
| 51067-015-50 | Frame Assembly                          | 51068-055-50 | Suspended Weight Assembly      |
| 51067-015-51 | Frame                                   | 51068-055-51 | Suspended Weight Assembly      |
| 51067-023-50 | Frame Assembly                          | 51068-056-50 | Wire Rope & Fittings           |
| 51067-023-51 | Frame                                   | 51068-058-50 | Connector Assembly             |
| 51067-028-50 | Hood                                    | 51068-059-50 | Weight Arm Assembly            |
| 51067-029-50 | Stationary Contact Shaft Assembly, R.H. | 51068-059-51 | Weight Arm Assembly            |
| 51067-029-51 | Stationary Contact Shaft Assembly, L.H. | 51068-062-01 | Gasket                         |
| 51067-030-50 | Moveable Contact Shaft Assy.            | 51068-066-01 | Bus Bar                        |
|              |   | 51068-082-50 | Frame Assembly                 |
|              |   | 51068-084-50 | Top Cover                      |
|              |   | 51068-085-50 | Contact Shaft Assembly         |
|              |   | 51068-085-51 | Contact Shaft Assembly         |



| OEM PART      | DESCRIPTION                      | OEM PART     | DESCRIPTION              |
|---------------|----------------------------------|--------------|--------------------------|
| 51068-086-50  | Contact Shaft Assembly           | 51152-036-50 | Coil                     |
| 51068-086-51  | Contact Shaft Assembly           | 51152-036-51 | Coil                     |
| 51068-087-50  | Stationary Contact Assembly      | 51152-036-52 | Coil                     |
| 51068-087-51  | Stationary Contact Assembly      | 51152-036-53 | Coil                     |
| 51068-088-50  | Base, L.H.                       | 51152-036-54 | Coil                     |
| 51068-089-50  | Base, R.H.                       | 51152-036-55 | Coil                     |
| 51068-090-50  | Bus Bar, R.H.                    | 51152-042-01 | Insulator                |
| 51068-090-51  | Bus Bar, L.H.                    | 51152-044-50 | Coil, 230/240 Volt       |
| 51068-091-50  | Bus Bar, R.H.                    | 51152-044-51 | Coil, 115/120 Volt       |
| 51068-092-50  | Bus Bar, L.H.                    | 51152-054-50 | Coil 240Volt             |
| 51075-022-50  | Arm                              | 51152-057-51 | Coil                     |
| 51075-023-50  | Contact                          | 51152-057-54 | Coil                     |
| 51075-038-54  | Pack Of Five-Sets Of Replacement | 51152-077-50 | Coil                     |
| 51075-039-01  | Control Circuit Arm, Only        | 51152-077-51 | Series Coil              |
| 51075-040-01  | Spring Retainer                  | 51152-077-52 | Series Coil              |
| 51124-035-01  | Base                             | 51152-077-53 | Series Coil              |
| 51124-036-01  | Mounting Bracket                 | 51152-077-54 | Series Coil              |
| 51124-037-01  | Timer Operating Arm              | 51152-077-55 | Series Coil              |
| 51124-038-01  | Bracket                          | 51152-077-56 | Series Coil              |
| 51124-039-01  | Copper Bus Bar                   | 51152-077-57 | Series Coil              |
| 51124-041-01  | Cross Bar                        | 51152-077-58 | Series Coil              |
| 51124-051-50  | Connector                        | 51152-077-59 | Coil                     |
| 51124-211-50  | Connector                        | 51152-077-60 | Series Coil              |
| 51124-211-51  | Connector                        | 51152-077-61 | Series Coil              |
| 51124-212-50  | Connector                        | 51152-077-62 | Series Coil              |
| 51130-064-50  | 9004 CM Spring Return Kit        | 51152-077-63 | Series Coil              |
| 51130-084-02  | Operating Lever                  | 51152-077-64 | Series Coil              |
| 51130-099-01  | Gearbox Cover Shim               | 51152-078-50 | Series Coil              |
| 51139-027-01  | Nameplate                        | 51152-078-51 | Series Coil              |
| 51139-028-01  | Calibration Plate                | 51152-078-52 | Series Coil              |
| 51139-028-03  | Calibration Plate                | 51152-078-53 | Series Coil              |
| 51139-028-22  | Calibration Plate                | 51152-078-54 | Series Coil              |
| 51139-035-01  | Nameplate                        | 51152-078-55 | Series Coil              |
| 51139-040-04  | Calibration Plate                | 51152-078-56 | Series Coil              |
| 51139-061-03  | Name Plate, No. 30 Limit Switch  | 51152-078-57 | Series Coil              |
| 51139-081-01  | Nameplate                        | 51152-078-58 | Series Coil              |
| 51139-096-01  | Nameplate                        | 51152-079-02 | Series Coil              |
| 51139-108-01  | Nameplate                        | 51152-079-03 | Series Coil              |
| 51139-242-05  | Nameplate (copper tips)          | 51152-079-04 | Series Coil              |
| 51139-242-06  | Nameplate (silver tips)          | 51152-607-02 | Frame                    |
| 51139-242-07  | Nameplate (Copper Tips)          | 51156-007-01 | Base                     |
| 51139-242-08  | Nameplate (Silver Tips)          | 51156-008-50 | Assembled Frame          |
| 51141-010-01  | Bridge                           | 51156-011-01 | Core                     |
| 51141-010-50  | Bridge                           | 51156-012-01 | Spool                    |
| 51141-012-51  | Arm                              | 51156-014-50 | Contact Enclosure        |
| 51141-013-01  | Pin                              | 51156-015-01 | Core Support Plate       |
| 51141-019-01  | Leaf                             | 51156-016-01 | Terminal, R.H.           |
| 51141-019-250 | Leaf                             | 51156-016-02 | Terminal, L.H.           |
| 51152-007-01  | Magnet Frame                     | 51156-017-50 | Blade                    |
| 51152-007-02  | Frame                            | 51156-019-01 | Rod                      |
| 51152-008-01  | Armature                         | 51156-020-01 | Spring Blade             |
| 51152-009-01  | Operator Arm                     | 51156-021-50 | Assembled Relay Cover    |
| 51152-013-50  | Spring Adj. Rod - Assembled      | 51156-022-50 | Inductor Tube            |
| 51152-014-50  | Assem. Mtg. Bracket              | 51156-022-51 | Assembled Inductor Tube  |
| 51152-015-01  | Operator Arm Extension           | 51156-026-51 | Coil                     |
| 51152-022-01  | Core Cap Spacer                  | 51156-026-52 | Coil                     |
| 51152-023-01  | Core Cap                         | 51156-026-53 | Coil                     |
| 51152-024-50  | Assembled Base                   | 51156-026-54 | Coil                     |
| 51152-025-50  | Assembled Coil Core              | 51156-026-55 | Coil                     |
| 51152-029-01  | Adjusting Knob                   | 51156-026-56 | Coil                     |
| 51152-030-50  | Assembled Adjusting Knob         | 51156-026-58 | Coil                     |
| 51152-032-50  | Terminal                         | 51156-030-01 | Terminal Support         |
| 51152-032-51  | Term. Block                      | 51156-035-51 | Contact Bridge           |
| 51152-033-01  | Coil                             | 51156-036-01 | Spring                   |
| 51152-033-01  | Coil                             | 51156-047-50 | Contact Bridge           |
| 51152-033-03  | Coil                             | 51156-047-51 | Contact Bridge, Aluminum |

This document utilizes an interactive table of contents to help you jump from one section to another. Click the button to return to the table of contents.

**RETURN TO  
TABLE OF CONTENTS**

*BRAKES*

*CONTACTORS*

*SAFETY LIMIT STOPS*

*MISCELLANEOUS*

*INDEX*

This document utilizes an interactive table of contents to help you jump from one section to another. Click the button to return to the table of contents.

**RETURN TO  
TABLE OF CONTENTS**

*BRAKES*

*CONTACTORS*

*SAFETY LIMIT STOPS*

*MISCELLANEOUS*

*INDEX*

| OEM PART     | DESCRIPTION                                  | OEM PART   | DESCRIPTION                                  |
|--------------|--|------------|--|
| 51156-048-50 | Bridge                                       | 9999-BC-3  | Circuit Interlock Kit                        |
| 51156-052-01 | Spring                                       | 9999-CS-13 | Electric Interlock Kit                       |
| 51156-081-51 | Coil   | 9999-DT-4  | Electric Interlock Kit                       |
| 51156-081-52 | Coil   | 9999-F-7   | Kit  |
| 51156-081-53 | Coil   | 9999-HX-6  | Contact Block                                |
| 51156-081-54 | Coil   | 9999-KX-2  | Contact Block Kit, Class 7001                |
| 51156-081-55 | Coil   | 9999-KX-3  | Auxiliary Contact Kit, 1 N.O. & 1 N.C.       |
| 51156-081-56 | Coil   | 9999-KX-4  | Contact Kit                                  |
| 51156-081-57 | Coil   | 9999-KX-5  | Contact Kit                                  |
| 51202-062-01 | Gasket                                       | 9999-MM-1  | Mechanical Interlock, Size 1 & 2             |
| 51229-029-50 | Diode  | 9999-MM-2  | Mechanical Interlock Size 3 & 4              |
| 51237-103-01 | Resistor Part                                | 9999-MM-3  | Mechanical Interlock, Size 5                 |
| 51237-117-01 | Insulator                                    | 9999-MM-4  | Size 6 Mechanical Interlock                  |
| 51237-118-01 | Resistor Part                                | 9999-MM-5  | Mechanical Interlock, Size 7 & 8             |
| 52906-010-01 | Resistor                                     | 9999-MT-3  | Tie Bar Kit                                  |
| 52906-018-64 | Resistor, 300 Ohm, 25 Watt                   | 9999-MT-4  | Tie Bar Kit                                  |
| 52906-024-70 | Control Resistor                             | 9999-MT-5  | Tie Bar Kit, Size 7 & 8                      |
| 52908-003-02 | Coil Terminal Lug                            | 9999-MX-11 | Electrical Interlock Kit                     |
| 52908-004-50 | Lug  | A101-34117 | Cam  |
| 52927-017-50 | Grease Fitting                               | A101-34118 | Cam  |
| 52927-017-52 | Grease Fitting                               | A101-34119 | Cam  |
| 52927-017-60 | Grease Fitting                               | A-176      | Clevis Pin, Steel                            |
| 52927-017-70 | Grease Fitting                               | A-178      | Stud Washer                                  |
| 52927-018-50 | Compression Fitting                          | A-181      | Handle Ferrule                               |
| 52927-018-70 | Compression Fitting                          | A-182      | Button Bushing                               |
| 52927-026-50 | Pan Head Mch Screw Assembly                  | A-184      | Stud Bushing                                 |
| 59602-807    | Arc Transfer Tip                             | A-185      | Handle                                       |
| 7390-1461    | B.O. Coil                                    | A-201      | Nut  |
| 739D15G1     | B O Coil                                     | A-2258-A   | Shaft Insulator                              |
| 739-SS-W10   | Coil   | A-228-A    | Connector                                    |
| 756-575-68   | Coil   | A-233      | Spring Stud                                  |
| 9998-BA-81   | Contact Kit, Size 0                          | A-234      | Spring Bushing                               |
| 9998-CA81    | Kit  | AL-104-A   | Coil, 35 HP 110 V, 75 HP 220 V, 175 HP 550 V |
| 9998-HA1     | Contact Kit                                  | AL-119     | Nut  |
| 9998-HC1     | Contact Kit                                  | AL-120     | Clamp  |
| 9998-HC-2    | Contact Kit                                  | AT-13001-A | Magnet Assembly                              |
| 9998-HD1     | Contact Kit                                  | AT-13002-A | Main Armature                                |
| 9998-HD2     | Silver Contact Kit                           | AT-13003   | Armature                                     |
| 9998-HE1     | Contact Kit                                  | AT-13004   | Auxiliary Armature                           |
| 9998-HF1     | Contact Kit                                  | AT-13004-A | Auxiliary Armature                           |
| 9998-HG1     | Contact Kit                                  | AT-13005-A | Auxiliary Armature Assembly                  |
| 9998-HG2     | Silver Contact Kit                           | AT-13006-A | Shoe Lever Assembly                          |
| 9998-HH1     | Contact Kit                                  | AT-13007   | Shoe Lever                                   |
| 9998-MA-2    | Magnet Controller Contact Kit Size 1 Type AD | AT-13008-A | Connecting Rod Assembly                      |
| 9998-ME1     | Contact Kit                                  | AT-13009   | Connecting Rod                               |
| 9998-ME2     | Contact Kit                                  | AT-13010   | Connecting Rod Link R.H.                     |
| 9998-MF-1    | Contact Kit                                  | AT-13011   | Connecting Rod Link L.H.                     |
| 9998-MF2     | Contact Kit (Includes 4 Silver Tips)         | AT-13012A  | Spring Rod                                   |
| 9998-MG-1    | Contact Kit (Copper)                         | AT-13015-A | Armature Link Assembly                       |
| 9998-MG-2    | Silver Contact Kit                           | AT-13016   | Armature Link                                |
| 9998-MH1     | Contact Kit                                  | AT-13018   | Magnet Case                                  |
| 9998-MH-1    | Contact Kit (Copper)                         | AT-13019-A | Frame Assembly                               |
| 9998-MH2     | Contact Kit, (Silver)                        | AT-13020   | Frame  |
| 9998-MJ-1    | Contact Kit (Copper)                         | AT-13022   | Release Spring                               |
| 9998-MJ-2    | Contact Tip Kit (Silver)                     | AT-13024   | Nut, R.H.                                    |
| 9998-MJK-1   | Contact Kit, Nema 7 & 8                      | AT-13025   | Spring Rod Pin                               |
| 9998-MK-1    | Contact Kit (Copper)                         | AT-13026   | Right Shoe Lever Hinge Pin                   |
| 9998-MK2     | Silver Contact Kit                           | AT-13027   | Armature Hinge Pin                           |
| 9998-MX-1    | Nema 2 Contact Kit                           | AT-13028   | Pin  |
| 9998-MX-2    | Contact Kit (silver)                         | AT-13029   | Pin  |
| 9998-QA-81   | Kit  | AT-13030   | Link Rod Pin                                 |
| 9998-RA-81   | Contact Kit, Size 0, 3 Pole                  | AT-13031   | Terminal Box Cover                           |
| 9998-RA-82   | Contact Kit, Size 0, 4 Pole                  | AT-13032   | Operating Spring Spacer                      |
| 9998-SA-81   | Kit  | AT-13033   | Spring Collar                                |
| 9998-TA81    | Kit  | AT-13034   | Equalizing Screw                             |
| 9998-UA 81   | Kit  |            |  |

| OEM PART          | DESCRIPTION                    | OEM PART          | DESCRIPTION                |
|-------------------|--------------------------------|-------------------|----------------------------|
| AT-13035          | Nut, L.H.                      | CO-429-A          | Coil                       |
| AT-13037          | Centering Spring               | CO-43-A           | Arm                        |
| AT-13038          | Nut, L.H.                      | CO-47             | Arm Spring                 |
| AT-13039          | Anti-Drag Lever                | CO-49             | Stud                       |
| AT-13040          | Terminal Box Gasket            | CO-51             | Contact Disk               |
| AT-13044          | Parking Coil                   | CO-52             | Spring                     |
| AT-13046          | Right Shoe Pin                 | CO-54             | Stud                       |
| AT-13047          | Left Shoe Pin                  | CO-55             | Stud                       |
| AT-13048-A        | Coil                           | CO-87             | Ring                       |
| AT-13055-A        | Coil                           | CO-88             | Coil                       |
| AT-13056          | Parking Coil                   | CO-88-A           | Coil                       |
| AT-13057-A        | Parking Coil                   | CO88A4007         | Coil                       |
| Bottom            | Stationary Tip for 9999-MX11   | CO-88-A-5603      | Coil                       |
| Calibration Plate | 19" WB Calibration Plate       | CO88A5620         | Coil                       |
| Calibration Plate | 16" WB Calibration Plate       | CO-89-A           | Coil                       |
| Calibration Plate | 13" WB Calibration Plate       | CO89A4612         | Coil                       |
| CCG-1, Class 6170 | Youngstown Power Limit Switch  | CO-91-A           | Coil                       |
| CM-1274           | Spacer                         | DDG-3, Class 6170 | Duplex Power Limit Switch  |
| CM-1280           | Bracket                        | DL-403-A          | Contact Board Assembly     |
| CM-1281-AB        | Finger                         | DL-4063-A         | Blowout Coil, 800 Amp      |
| CM-1282-A         | Contact Finger & Bracket, Only | DL-407-5          | Base                       |
| CM-1289-5         | Seat                           | DL-410            | Contact Board Support      |
| CM-1290-A         | Arm                            | DL-438            | Roller Bracket             |
| CM-1291-A         | Arm                            | DL-439-A          | Roller Bracket             |
| CM-1292-A         | Shaft                          | DL-477            | Control Stud               |
| CM-145-A          | Contact Stud Assembled         | DLM-67            | Spring                     |
| CM-149            | Retainer                       | DM-202            | Operating Lever            |
| CM-156-R          | Board                          | DM-203-A          | Cam                        |
| CM-157-R          | Contact Board, 4 Cam           | DM-204            | Operating Shaft            |
| CM-158-A          | Lever                          | DM-205            | Spring Rod                 |
| CM-162-A          | Bracket                        | DM-206            | Spring                     |
| CM-203            | Cam                            | DM-207            | Cylinder Lever             |
| CM-267            | Pin                            | DM-209            | Cylinder Shaft             |
| CM-268            | Pin                            | DM-210            | Cylinder Contact           |
| CM-269            | Pin                            | DM-211            | Cylinder Contact           |
| CM-271            | Pin                            | DM-214            | Cover                      |
| CM-272            | Pin                            | DM-215            | Finger Board               |
| CM-273            | Pin                            | DM-216            | Finger Board               |
| CM-276            | Insulator                      | DM-219            | Jumper                     |
| CM-277            | Insulator                      | DM-224            | Insulator                  |
| CM-282            | Spring                         | DM-226-A          | Finger Board Complete      |
| CM-283            | Spring                         | DM-228-A          | Frame Assembled            |
| CM-284            | Spring                         | DM-229-A          | Bearing Plug               |
| CM-285            | Spring                         | DM-230-A          | Finger Holder Assembly     |
| CM-286            | Bar                            | DM-231-A          | Finger                     |
| CM-287            | Bar                            | DM-233            | Contact                    |
| CM-288            | Support Bar                    | DM-234            | Holder                     |
| CM-290            | Lever Stud                     | DM-235            | Stud                       |
| CM-293            | Stud                           | DR-1139           | Contact                    |
| CM-299            | Connector                      | DR-2184           | Washer                     |
| CM-301            | Stud                           | E-22              | Stud                       |
| CM-310            | Stud                           | E-4               | Cam                        |
| CM-311-A          | Contact Tips                   | E-44              | Washer Mica                |
| CM-81-A           | Assembled Contact Board        | E-47              | Shaft                      |
| CM-84-A           | Assembled Contact Board        | EG-2, Class 6170  | Youngstown 40 Limit Switch |
| CO-10             | Insulator                      | EL-10             | Stud                       |
| CO-101            | Sleeve                         | EL-100-A          | Control Circuit Base       |
| CO-124-A          | B/O Coil                       | EL-109-A          | Assembled Contact          |
| CO-215            | Stud                           | EL-109-B          | Upper Contact Tip          |
| CO-32-A           | Plunger                        | EL-109-C          | Lower Contact Tip          |
| CO-33             | Pin                            | EL-11             | Stud                       |
| CO-34             | Plunger Stop                   | EL-111            | Mounting Stud              |
| CO-37-A           | Piston                         | EL-112            | Mounting Stud              |
| CO-40             | Cylinder                       | EL-12             | Stud                       |
| CO-41             | Plug                           | EL-120            | Mounting Studs             |
| CO-42             | Contact                        | EL-122            | Spacer                     |

This document utilizes an interactive table of contents to help you jump from one section to another. Click the button to return to the table of contents.

## RETURN TO TABLE OF CONTENTS

*BRAKES*

*CONTACTORS*

*SAFETY LIMIT STOPS*

*MISCELLANEOUS*

*INDEX*

This document utilizes an interactive table of contents to help you jump from one section to another. Click the button to return to the table of contents.

**RETURN TO  
TABLE OF CONTENTS**

*BRAKES*

*CONTACTORS*

*SAFETY LIMIT STOPS*

*MISCELLANEOUS*

*INDEX*

| OEM PART           | DESCRIPTION                   | OEM PART           | DESCRIPTION                          |
|--------------------|-------------------------------|--------------------|--------------------------------------|
| EL-129             | Operating Arm                 | F-0807, Class 5010 | 8" WB Brake , Type F                 |
| EL-13              | Stud                          | F-0808, Class 5010 | 8" Type F Brake Series A, 4.5-6 HP   |
| EL-131-A           | Arm Support Assembly          | F-0856, Class 5010 | Brake                                |
| EL-132             | Operating Pin                 | F-1023, Class 5010 | 10" Type F, Series B Brake           |
| EL-138             | Mounting Stud                 | F-1024, Class 5010 | 10" Brake Type F Series B            |
| EL-139             | Mounting Stud                 | F-1026, Class 5010 | 10" WB Type F, Series C Brake        |
| EL-14              | Stud                          | F-1028, Class 5010 | Type F Series B 10" Brake 5-7 HP     |
| EL-15              | Stud                          | F-1029, Class 5010 | 10" WB Type F Brake Series B         |
| EL-16              | Stud                          | F-1070, Class 5010 | 10" Rectifier Operated Brake         |
| EL-17              | Stud                          | F-1324, Class 5010 | 13" Type F Series C Brake,31-39 HP   |
| EL-18              | Stud                          | F-1325, Class 5010 | 13" Type F Series C Brake, 24-30 HP  |
| EL-19              | Stud                          | F-1329, Class 5010 | 13" Type F Brake                     |
| EL-1-A             | Control Circuit Arm, Complete | F-1376, Class 5010 | 13" Type F, Rectifier Operated Brake |
| EL-20              | Stud                          | F-1378, Class 5010 | 13" Type F Series B Brake            |
| EL-21              | Stud                          | F-1385, Class 5010 | 13" Type F, Series B Brake           |
| EL-22              | Stud                          | F-1621, Class 5010 | 16" Type F Series B Brake            |
| EL-23              | Stud                          | F-1623, Class 5010 | 16" Series B Brake, 59-77 HP         |
| EL-24              | Stud                          | F-1624, Class 5010 | 16" Series B Brake, 36-47 HP         |
| EL-25              | Stud                          | F-1625, Class 5010 | 16" Series B Brake, 46-60 HP         |
| EL-26              | Stud                          | F-1903, Class 5010 | Type F 19" WB Brake                  |
| EL-27              | Stud                          | F-1905, Class 5010 | 19" Brake                            |
| EL-28              | Stud                          | F-1906, Class 5010 | 19" Type F Brake, Series C           |
| EL-29              | Stud                          | F-1951, Class 5010 | 19" Brake, Rectifier Operated        |
| EL-2-A             | Control Circuit Arm, Complete | F-1954, Class 5010 | Type F 19" WB Brake Series A         |
| EL-3               | Control Circuit Arm Only      | F-2321, Class 5010 | 23" Type F Series C Brake, 365 HP    |
| EL-30              | Stud                          | F-2324, Class 5010 | 23" Type F Series B Brake            |
| EL-3037            | Magnet Arm Pin                | F-2335, Class 5010 | 23" Type F, Series C Brake 235 HP    |
| EL-31              | Stud                          | F-3002, Class 5010 | 30" Brake                            |
| EL-32              | Stud                          | F-3005, Class 5010 | Class 5010 Type F-30 WB Brake        |
| EL-33              | Stud                          | FA-103-A           | Blade                                |
| EL-34              | Stud                          | FA-149             | Silver Contact Tip                   |
| EL-47              | Control Circuit Arm, Only     | FA-153-A           | Bearing                              |
| EL-48              | Spring                        | FA-37              | Core Cap                             |
| EL-49              | Spring                        | FA-44-A            | Contact                              |
| EL-53-G            | Control Circuit               | FA-46-A            | Magnet From                          |
| EL-54-G            | Control Circuit               | FA-47-A            | Magnet Frame                         |
| EL-55-G            | Control Circuit               | FA-49              | Armature Plate                       |
| EL-56-G            | Assembled Control Circuit N/C | FA-68              | Spacer                               |
| EL-57-G            | Assembled Control Circuit N/O | FA-73-A            | Blowout Coil                         |
| EL-58-G            | Assembled Control Circuit     | FA-74-A            | Blowout Coil                         |
| EL-59-G            | Assembly                      | FA-78              | Washer, for Shoe Lever Pin           |
| EL-60-G            | Assembled Control Circuit     | FA-81              | Blowout Coil                         |
| EL-61-G            | Assembled Control Circuit     | FA-87-A            | Blowout Coil                         |
| EL-62              | Control Circuit Support       | FD-2-A             | Coil, 115 V                          |
| EL-63              | Block                         | FD-3-A             | Coil                                 |
| EL-64              | Control Circuit Arm Support   | FK-34-A            | Magnet Frame                         |
| EL-65              | Mounting Block                | FK-35-A            | Magnet Frame                         |
| EL-66              | Control Circuit Support       | FK-37-A            | Armature Plate                       |
| EL-6-A             | Double Sided Control Contact  | FK-38              | Stop Plate                           |
| EL-6-B             | Contact Tip                   | FK-39              | Spacer                               |
| EL-6-C             | Contact Tip                   | FK-41-A            | Contact Blade                        |
| EL-7               | Stud                          | FK-42              | Core                                 |
| EL-8               | Stud                          | FK-44-A            | Stationary Contact Stop              |
| EL-84-A            | Contact Bridge                | FK-46              | Stop Bar                             |
| EL-87              | Spring Retainer               | FK-47-4            | Base, 1"                             |
| EL-9               | Stud                          | FK-47-5            | Base, 1 1/4"                         |
| EL-92-A            | Assembled Arm Support         | FK-47-6            | Base, 1 1/2"                         |
| EL-93              | Operating Pin                 | FK-47-8            | Base, 2"                             |
| EL-94              | Operating Arm                 | FK-8-A             | Coil                                 |
| EL-95              | Pin                           | FK-8-AE            | Coil                                 |
| EL-96              | Stud                          | FK-9-A             | Coil                                 |
| EL-97              | Insulator                     | FK-9-AE            | Coil                                 |
| EL-98-A            | Contact Board Assembly        | FKP-9              | Core                                 |
| EP-45-PT           | Bracket                       | FL-132             | Pin                                  |
| F-0804, Class 5010 | 8" Type F Series A Brake      | FP-11A11           | Fuse Clip Sprint                     |
| F-0805, Class 5010 | 8" Type F Brake Series A      | FP-11A23           | Fuse Clip                            |
| F-0806 CLASS 5010  | 8" Brake 8-10 HP              | FP-11E13           | Fuse Holder                          |



| OEM PART | DESCRIPTION    | OEM PART  | DESCRIPTION                  |
|----------|----------------|-----------|------------------------------|
| FP-12A13 | Handle Ball    | FP-24J14  | Bearing                      |
| FP-23A10 | Binding Post   | FP-24J16  | Latch Bushing                |
| FP-23A12 | Binding Post   | FP-24J19  | Bushing                      |
| FP-23A13 | Binding Post   | FP-24K10  | Bearing                      |
| FP-23A14 | Binding Post   | FP-24K11  | Bearing                      |
| FP-23A35 | Binding Screw  | FP-24K12  | Bearing                      |
| FP-23A36 | Binding Screw  | FP-24K13  | Bearing                      |
| FP-24A11 | Grease Fitting | FP-24L10  | Bearing                      |
| FP-24A14 | Grease Fitting | FP-25A11  | Grease Fitting               |
| FP-24B10 | Bearing        | FP-25A12  | Grease Fitting               |
| FP-24B11 | Bearing        | FP-25A15  | Grease Fitting               |
| FP-24B12 | Bearing        | FP-25A16  | Grease Fitting               |
| FP-24B13 | Bearing        | FP-25A17  | Compression Fitting          |
| FP-24B14 | Oilite Bearing | FP-25A18  | Compression Fitting          |
| FP-24B15 | Bearing        | FP-28A40  | Terminal                     |
| FP-24B16 | Bearing        | FP-28C10  | Solderless Lug               |
| FP-24B17 | Bearing        | FP-28C11  | Coil Terminal Lug            |
| FP-24B18 | Bearing        | FP-28H110 | Lug                          |
| FP-24B19 | Bearing        | FP-28J10  | Terminal Lug                 |
| FP-24B20 | Bearing        | FP-32A11  | Spring Nut, Steel            |
| FP-24B21 | Bearing        | FP-41A14  | Hood Fastener                |
| FP-24B22 | Bearing        | FP-45C10  | Selenium Rectifier           |
| FP-24B23 | Bearing        | FP-50H110 | Fuse Clip Sprint             |
| FP-24B24 | Bearing        | FP-51A10  | Sealing Ring                 |
| FP-24B25 | Bearing        | FP-51A11  | Sealing Ring                 |
| FP-24B26 | Bearing        | FP-59A10  | Roll Pin                     |
| FP-24B27 | Bearing        | FP-59A13  | Roll Pin                     |
| FP-24B28 | Bearing        | FP-74A10  | Grommet                      |
| FP-24B29 | Bearing        | L-1002-G  | Magnet Arm Assembly          |
| FP-24B30 | Bearing        | L-1010-A  | Coil                         |
| FP-24B31 | Bearing        | L-1010-AE | 230 VDC Coil, Encapsulated   |
| FP-24B32 | Shaft Bushing  | L-1011-A  | Magnet Coil                  |
| FP-24B35 | Oilite Bearing | L-1011-AE | 115 VDC Coil, Encapsulated   |
| FP-24B36 | Bearing        | L-1012-AE | Coil 57.5 Volt               |
| FP-24B37 | Bearing        | L-1013-A  | Magnet Arm                   |
| FP-24B38 | Bearing        | L-1015-A  | Core                         |
| FP-24B39 | Bearing        | L-1016-A  | Blowout Connector            |
| FP-24B40 | Bearing        | L-1018-A  | Frame                        |
| FP-24B41 | Bearing        | L-1020-A  | Magnet Arm                   |
| FP-24B42 | Bearing        | L-1021    | Contact Spring Bracket       |
| FP-24B43 | Bearing        | L-1026    | Core Cap                     |
| FP-24B44 | Bearing        | L-1027    | Contact Spring               |
| FP-24B45 | Bearing        | L-1034    | Tie Bar Spacer               |
| FP-24B47 | Bearing        | L-1036    | Tie Bar                      |
| FP-24C10 | Bearing        | L-1038-AE | Coil 57.5 Volt               |
| FP-24C11 | Bearing        | L-1078-G  | Magnet Assembly              |
| FP-24C13 | Bearing        | L-1079-A  | Core                         |
| FP-24C14 | Bearing        | L-1081    | Inductor Tube                |
| FP-24C15 | Bearing        | L-1082-A  | Tie Bar                      |
| FP-24C16 | Bearing        | L-1083-A  | Magnet Arm                   |
| FP-24C19 | Oilite Bearing | L-1102-A  | Magnet Arm                   |
| FP-24C20 | Oilite Bearing | L-1104-A  | Magnet Arm Bracket           |
| FP-24C21 | Oilite Bearing | L-1105    | Operating Spring             |
| FP-24C23 | Oilite Bearing | L-1106    | Operating Spring Holder      |
| FP-24C24 | Oilite Bearing | L-1108    | Stop Bar                     |
| FP-24C31 | Bearing        | L-1109-A  | Blowout Connector            |
| FP-24C32 | Bearing        | L-1111-A  | Connector                    |
| FP-24C33 | Bearing        | L-1113-A  | Retarding Coil, 230 V        |
| FP-24C36 | Bushing        | L-1114-A  | Retarding Coil, 115 V        |
| FP-24C42 | Roller         | L-1119    | Washer                       |
| FP-24H24 | Bearing        | L-1168-A  | Connector                    |
| FP-24H25 | Bearing        | L-1190-A  | Magnet Arm                   |
| FP-24J10 | Bearing        | L-1192-G  | Stationary Contact Assembly  |
| FP-24J11 | Bearing        | L-1203-G  | Assembled Contact Arm, Comp. |
| FP-24J12 | Bearing        | L-1204-A  | Contact Arm, Complete        |
| FP-24J13 | Bearing        | L-1206    | Magnet Arm Clamp             |

This document utilizes an interactive table of contents to help you jump from one section to another. Click the button to return to the table of contents.

**RETURN TO  
TABLE OF CONTENTS**

*BRAKES*

*CONTACTORS*

*SAFETY LIMIT STOPS*

*MISCELLANEOUS*

*INDEX*

This document utilizes an interactive table of contents to help you jump from one section to another. Click the button to return to the table of contents.

**RETURN TO  
TABLE OF CONTENTS**

*BRAKES*

*CONTACTORS*

*SAFETY LIMIT STOPS*

*MISCELLANEOUS*

*INDEX*

| OEM PART        | DESCRIPTION                     | OEM PART  | DESCRIPTION                    |
|-----------------|---------------------------------|-----------|--------------------------------|
| L-1208-A        | Shaft, Complete                 | L-3027    | Contact Spring                 |
| L-1210          | Armature Plate                  | L-3029    | Non-Magnetic Spacer            |
| L-1211          | Clamp                           | L-3034    | Tie Bar Spacer                 |
| L-1213-A        | Spacer                          | L-3036    | Tie Bar                        |
| L-1214-A        | Stop Plate                      | L-3038-AE | Coil                           |
| L-1219          | Stop Bar                        | L-3048    | Tie Bar Spacer                 |
| L-1487-SI-S26B  | Coil                            | L-3083-A  | Assembled Magnet Arm, Complete |
| L-1707          | Coil                            | L-3092    | Set Screw                      |
| L-1709          | Terminal Bracket                | L-3102-A  | Magnet Arm, Complete           |
| L-1721          | Coil Terminal Stud              | L-3104-A  | Magnet Arm Bracket             |
| L-1722          | Coil Terminal Stud              | L-3105    | Spring                         |
| L-1730-A        | Blowout Coil                    | L-3106    | Operating Spring Holder        |
| L-1757-A        | Main Terminal Stud              | L-3108    | Stop Bar                       |
| L-1861-SI-R35B  | Coil                            | L-3109-A  | Blowout Connector              |
| L-2010-A        | Coil                            | L-3111-A  | Connector                      |
| L-2010-AE       | Encapsulated Coil               | L-3113-A  | Retarding Coil, 230VDC         |
| L-2011-AE       | Encapsulated Coil               | L-3113-AE | 230, VDC Coil, Encapsulated    |
| L-2012-AE       | Coil                            | L-3114-A  | Retarding Coil, 115VDC         |
| L-2013-A        | Magnet Arm, Complete            | L-3114-AE | 115 VDC Coil, Encapsulated     |
| L-2015-A        | Core                            | L-3119    | Washer, For Retarding Coil     |
| L-2016-A        | Blowout Connector               | L-3120    | Spring                         |
| L-2018-A        | Frame                           | L-3148    | Tie Bar                        |
| L-2020-A        | Magnet Arm                      | L-3190-A  | Armature                       |
| L-2021          | Spring Retainer                 | L-3203-G  | Assembled Contact Arm, Comp.   |
| L-2027          | Contact Spring                  | L-3204-A  | Contact Arm, Complete          |
| L-2038-AE       | Coil                            | L-3206    | Magnet Arm Clamp               |
| L-2080-A        | Coil                            | L-3208-A  | Shaft, Complete                |
| L-2083-A        | Magnet Arm, Complete            | L-3210    | Armature Plate                 |
| L-2102-A        | Magnet Arm, Complete            | L-3211    | Clamp                          |
| L-2104-A        | Magnet Arm Bracket              | L-3212    | Spacer                         |
| L-2105          | Operating Spring                | L-3219    | Stop Bar                       |
| L-2108          | Stop Bar, Steel                 | L-3321-A  | Block                          |
| L-2109-A        | Blowout Connector               | L-3700-A  | No. 3 Type L N.O.S.P.          |
| L-2110          | Armature Plate                  | L-3712-A  | Main Terminal Stud             |
| L-2111-A        | Connector                       | L-3714-A  | Connector                      |
| L-2116-A        | Coil, 230 V                     | L-3730-A  | B/O Coil                       |
| L-2116-AE       | 230 VDC Coil, Encapsulated      | L-3745-A  | Blowout Coil & Contact Bracket |
| L-2117-A        | Coil, 115 V                     | L-3747-A  | Blowout Coil & Contact Bracket |
| L-2117-AE       | 115 VDC Coil, Encapsulated      | L-4010    | Washer                         |
| L-2149-AE       | Coil                            | L-4011    | Washer                         |
| L-2175-A        | Coil                            | L-4015-A  | Core                           |
| L-2188-AE       | Coil                            | L-4020    | Control Contact Bracket        |
| L-2190-A        | Magnet Arm                      | L-4076-G  | Aux. Arm Assembly              |
| L-2203-G        | Assembled Contact Arm, Complete | L-4077-A  | Aux. Arm Assembly              |
| L-2204-A        | Contact Arm, Complete           | L-4078    | Spring                         |
| L-2208-A        | Shaft Double Pole Only          | L-4079    | Spring Nut                     |
| L-2210          | Armature Plate                  | L-4080    | Spring Bracket                 |
| L-2212          | Spacer                          | L-4087-A  | Spacer                         |
| L-2219          | Stop Bar                        | L-4090-A  | Connector                      |
| L-2304          | B.O. Coil                       | L-4094-A  | Connector                      |
| L-2305          | B.O. Coil                       | L-4096    | Blowout Connector              |
| L-2321-A        | Assembled Contact Bracket       | L-4098-A  | Connector                      |
| L-2392          | B.O. Coil                       | L-4102-A  | Magnet Arm                     |
| L-2393          | B.O. Coil                       | L-4104-A  | Bracket                        |
| L-2730-A        | Blowout Coil & Contact Bracket  | L-4105    | Spring (Oper.)                 |
| L-2937-SI-032B  | Coil                            | L-4106    | Operating Spring Holder        |
| L-2938-S1-138   | Coil                            | L-4108    | Stop Bar                       |
| L-2959-S1-W32-B | Coil                            | L-4109    | Connector                      |
| L-2A-6134       | Spacer                          | L-4111-A  | Connector                      |
| L-2A-6135       | Insulator                       | L-4113-A  | Retarding Coil                 |
| L-3011-AE       | Coil                            | L-4113-AE | Retarding Coil, 230 Volt       |
| L-3012-AE       | Coil                            | L-4114-A  | Retarding Coil                 |
| L-3013-A        | Assembled Magnet Arm, Complete  | L-4114-AE | Retarding Coil, 115 Volt       |
| L-3015-A        | Core                            | L-4121-A  | Connector                      |
| L-3018-A        | Core Plate                      | L-4128    | Coil Terminal Stud             |
| L-3021          | Spring Bracket                  | L-4132-A  | Core                           |

| OEM PART  | DESCRIPTION                    | OEM PART   | DESCRIPTION                     |
|-----------|--------------------------------|------------|---------------------------------|
| L-4148    | Tie Bar                        | L-6345-A   | B.O. Coil & Bracket             |
| L-4328-A  | Blowout Coil & Contact Bracket | L-6708     | Terminal Block                  |
| L-4329-A  | Blowout Coil & Contact Bracket | L-6713     | Connector Plate, 3 Lugs         |
| L-4450    | B/O Coil                       | L-6714     | Connector Plate                 |
| L-4457-A  | 600 Amp B/O Coil & Brkt.       | L-6715     | Tie Bar                         |
| L-4458-A  | 800 Amp B/O Coil & Brkt.       | L-6716     | Assembled Connector             |
| L-4705-A  | Blowout Connector              | L-6717     | Connector Plate, 2 Lugs         |
| L-4712-A  | Terminal Block                 | L-6718     | Connector Plate, 4 Lugs         |
| L-4714-A  | Connector Shunt                | L-6730-A   | Assembled Contact Bracket       |
| L-4716-A  | Connector, 6A                  | L-6733-A   | Assembled Blowout Connector     |
| L-4728    | Stud                           | L-6734-A   | Assembled Blowout Connector     |
| L-4730-A  | Blowout Coil & Bracket #4, 3A  | L-6738-A   | Assembled Contact Bracket       |
| L-4731-A  | Blowout Coil & Bracket         | L-775S1    | Coil                            |
| L-4752    | Bus Bar                        | LC-20-A    | Roller                          |
| L-4755-A  | Connector                      | LC-45      | Disc                            |
| L-4758    | Main Terminal Stud             | LC-48      | Washer                          |
| L-4762-A  | Assembled Terminal Block       | LK-13-A    | Contact Bridge                  |
| L-6000    | Line Arc Contactor Type L      | LK-18      | Pin                             |
| L-6003-A  | Arc Shield                     | LK-47      | Spring                          |
| L-6009    | Arc Block                      | LK-70-A    | Control Circuit Contact, Assy.  |
| L-6010-A  | Assembled Blowout Coil & Brkt. | LK-8       | Contact Bracket                 |
| L-6011-A  | Assembled Blowout Coil & Brkt. | LT-1016-A  | Coil                            |
| L-6012    | Tip                            | LT-1016-AE | Magnet Coil                     |
| L-6012-S  | Contact Tip                    | LT-1017-A  | Coil                            |
| L-6012-SE | Contact Tip                    | LT-1017-AE | Encapsulated Coil               |
| L-6013-A  | Assembled Magnet Arm           | LT-1020-A  | Main Arm, Comp. w/ Spring Pin   |
| L-6015-A  | Assembled Connector            | LT-1023-A  | Frame, Steel w/ Coil Springs    |
| L-6018-A  | Assembled Arc Plate            | LT-1024-A  | Assembled Arc Shield Complete   |
| L-6020-A  | Assembled Blowout Guard        | LT-1025-A  | Connector                       |
| L-6022-A  | Assembled Spring Bracket       | LT-1027    | Bracket                         |
| L-6026    | Arc Shield Spacer              | LT-1028-A  | Auxiliary Arm                   |
| L-6027    | Spring                         | LT-1029-A  | Magnet Arm Bracket              |
| L-6028    | Arc Shield Spacer              | LT-1031    | Contact Tip                     |
| L-6029    | Assembled Arc Shield Clip      | LT-1031-S  | Silver Contact Tip              |
| L-6038    | Insulator                      | LT-1031-SE | Silver Tungsten Contact Tip     |
| L-6039    | Blowout Ear Only               | LT-1032    | Arc Plate                       |
| L-6040-A  | Assembled Blowout Ear          | LT-1033    | Blowout Coil                    |
| L-6041    | Arc Shield, Left Hand          | LT-1035    | Arc Shield, Left Hand           |
| L-6042    | Arc Shield, R.H.               | LT-1036    | Arc Shield, Right Hand          |
| L-6045-A  | Arc Plate Connector, L.H.      | LT-1037    | Magnet Arm Pin                  |
| L-6046-A  | Arc Plate Connector, R.H.      | LT-1038    | Auxiliary Arm Pin               |
| L-6047    | Magnet Arm Bracket             | LT-1039    | Blowout Core                    |
| L-6048    | Blowout Ear Spacer             | LT-1040    | Coil Core, Steel                |
| L-6049    | Auxiliary Arm                  | LT-1041    | Spring Nut, Steel               |
| L-6050    | Stop Pin                       | LT-1042    | Main Terminal Stud              |
| L-6052    | Shunt                          | LT-1044-A  | Main Terminal Stud              |
| L-6054-A  | Blowout Connector              | LT-1045-A  | Main Terminal Stud              |
| L-6055    | Magnet Arm Pin                 | LT-1046    | Stud                            |
| L-6056    | Auxiliary Arm Pin              | LT-1048-A  | Contact Stud, Brass, Silver Tip |
| L-6057    | Set Screw                      | LT-1049    | Arc Shield Hinge                |
| L-6058    | Set Screw                      | LT-1050    | Arc Shield Clip                 |
| L-6061-A  | Stop                           | LT-1052    | Blowout Ear                     |
| L-6062    | Blowout Core Insulator         | LT-1054    | Binding Nut, Alloy              |
| L-6063    | Blowout Core                   | LT-1055-A  | Contact                         |
| L-6064    | Blowout Ear Insulator          | LT-1056    | Control Contract Bridge, Comp.  |
| L-6065    | Stud                           | LT-1057    | Control Contact Bracket, Steel  |
| L-6066    | Connector                      | LT-1058    | Coil Spring, Steel              |
| L-6075-A  | Terminal Stud                  | LT-1062    | Contact Bridge                  |
| L-6076-A  | Main Terminal Stud             | LT-1063    | Control Contact Bracket Spacer  |
| L-6078-A  | Assembled Magnet Arm           | LT-1064    | Blowout Ear Spacer              |
| L-6080    | Blowout Guard Insulator        | LT-1065    | Base                            |
| L-6094    | Core Cap                       | LT-1066    | Binding screw, Alloy            |
| L-6124-A  | Core                           | LT-1067    | Core Cap, Steel                 |
| L-6130-A  | Coil                           | LT-1068    | Washer                          |
| L-6203-A  | Assembled Blowout Ear, RH      | LT-1071    | Spacer, Steel                   |
| L-6204-A  | Assembled Blowout Ear, LH      | LT-1072    | Stud                            |

This document utilizes an interactive table of contents to help you jump from one section to another. Click the button to return to the table of contents.

**RETURN TO  
TABLE OF CONTENTS**

*BRAKES*

*CONTACTORS*

*SAFETY LIMIT STOPS*

*MISCELLANEOUS*

*INDEX*

This document utilizes an interactive table of contents to help you jump from one section to another. Click the button to return to the table of contents.

**RETURN TO  
TABLE OF CONTENTS**

*BRAKES*

*CONTACTORS*

*SAFETY LIMIT STOPS*

*MISCELLANEOUS*

*INDEX*

| OEM PART   | DESCRIPTION                   | OEM PART   | DESCRIPTION                     |
|------------|-------------------------------|------------|---------------------------------|
| LT-1073    | Bearing                       | LT-1646-A  | Main Terminal Stud              |
| LT-1074    | Insulator                     | LT-1656-A  | Blowout Coil                    |
| LT-1075    | Insulator                     | LT-1656-AB | Blowout Coil & Bracket          |
| LT-1077    | Contact Spring, Music Wire    | LT-1657-A  | Blowout Coil                    |
| LT-1079    | Stat. Side Control Contact    | LT-1657-AB | Blowout Coil & Bracket          |
| LT-1081    | Arc Plate Connector           | LT-1658-A  | Blowout Coil                    |
| LT-1090-A  | B.O. Connector                | LT-1659-AB | B/O Coil                        |
| LT-1091    | Spring Washer                 | LT-1784    | Spring                          |
| LT-1092    | Set Screw                     | LT-2013-A  | Arm Magnet                      |
| LT-1109-A  | Magnet Coil                   | LT-2016-A  | Coil                            |
| LT-1110-A  | Contact Arm, w/ Bushings      | LT-2017-A  | Coil                            |
| LT-1110-G  | Contact Arm, W/Bushings       | LT-2019    | Spacer                          |
| LT-1111-A  | Magnet Arm, Comp.             | LT-2020-A  | Main Arm, Comp. w/ Spring Pin   |
| LT-1113-A  | Frame, Steel w/ Coil Springs  | LT-2023-A  | Frame, Steel, w/ Coil Springs   |
| LT-1114-A  | Connector                     | LT-2024-A  | Assembled Arc Shield, Complete  |
| LT-1115    | Bearing Bracket               | LT-2025-A  | Connector                       |
| LT-1120-A  | Shaft, w/ Insulation          | LT-2028-A  | Auxiliary Arm, Complete         |
| LT-1121    | Bearing                       | LT-2029-A  | Magnet Arm Bracket              |
| LT-1122    | Stop Plate, Steel             | LT-2031    | Contact Tip                     |
| LT-1123    | Contact Arm Clamp             | LT-2031-S  | Contact Silver Tip              |
| LT-1124    | Magnet Arm Clamp              | LT-2032    | Arc Plate                       |
| LT-1125    | Bearing Bracket Clamp         | LT-2033    | Blowout Coil                    |
| LT-1126    | Stop Bar, Steel               | LT-2034    | B/O Gland                       |
| LT-1128-A  | Blowout Connector             | LT-2035    | Arc Shield, Left Hand           |
| LT-1171-A  | Coil                          | LT-2036    | Arc Shield, Right Hand          |
| LT-1197-AE | DC Magnet Coil                | LT-2037    | Pin                             |
| LT-1209-A  | Coil                          | LT-2038    | Auxiliary Arm Pin               |
| LT-1210-A  | Main Arm, Comp. w/ Spring Pin | LT-2039    | Blowout Core                    |
| LT-1211-A  | Frame, Steel w/ Coil Springs  | LT-2040    | Coil Core, Steel                |
| LT-1212-A  | Connector, Copper Cable       | LT-2044-A  | Main Terminal Stud              |
| LT-1213-A  | Arm                           | LT-2045-A  | Main Terminal Stud              |
| LT-1214    | Coil Core, Steel              | LT-2050    | Arc Shield Clip                 |
| LT-1219    | Stop Bar, Steel               | LT-2056    |                                 |
| LT-1220    | Operating Spring Pin, Steel   | LT-2064    | Blowout Ear Spacer              |
| LT-1222    | Operating Spring              | LT-2067    | Core Cap, Steel                 |
| LT-1223    | Operating Spring Retainer     | LT-2071    | Spacer, Steel                   |
| LT-1224    | Core Spacer, Bronze           | LT-2072    | Stud                            |
| LT-1226    | Operating Spring Stud, Steel  | LT-2074    | Insulator                       |
| LT-1227    | Contact Spring                | LT-2076    | Spacer                          |
| LT-1229-A  | B.O. Connector                | LT-2077    | Contact Spring, Music Wire      |
| LT-1250-A  | Coil                          | LT-2079    | Stationary Side Cont. Contact   |
| LT-1253    | Operating Bar                 | LT-2090-A  | B.O. Connector                  |
| LT-1265-A  | Blowout Guard                 | LT-2091    | Spring Washer, Large            |
| LT-1340-A  | Arc Shield                    | LT-2092    | Set Screw                       |
| LT-1356    | Control Contact Insulator     | LT-2110-A  | Contact Arm, w/ Bearings        |
| LT-1360-A  | Plate                         | LT-2110-G  | Contact Arm, w/ Bearings        |
| LT-1362-A  | Contact Finger w/ Tip         | LT-2111-A  | Magnet Arm, Comp.               |
| LT-1364-A  | Connector                     | LT-2114-A  | Connector                       |
| LT-1365-A  | Control Contact Bridge, Comp. | LT-2115    | Bearing Bracket                 |
| LT-1366    | Spring                        | LT-2120-A  | Shaft, w/ Insulation            |
| LT-1367    | Spacer Bracket                | LT-2123    | Contact Arm Clamp               |
| LT-1369    | Connector                     | LT-2126    | Stop Bar, Steel                 |
| LT-1369-A  | Spring                        | LT-2128-A  | Blowout Connector               |
| LT-1389-A  | Terminal Stud                 | LT-2183    | Bracket                         |
| LT-1393-A  | B/O Coil                      | LT-2197-A  | Coil                            |
| LT-1393-AB | Contact Bracket               | LT-2197-AE | Coil                            |
| LT-1394-A  | Main Terminal Stud            | LT-2210-A  | Main Arm, Comp. w/ Spring Pin   |
| LT-1409-A  | Arc Shield                    | LT-2211-A  | Frame, Steel, w/ Coil Springs   |
| LT-1411-A  | B.O. Guard                    | LT-2212-A  | Connector, Copper Cable, Tinned |
| LT-1412    | Arc Shield                    | LT-2219    | Stop Bar, Steel                 |
| LT-1417    | B/O Ear                       | LT-2220    | Operating Spring Pin, Steel     |
| LT-1443    | Set Screw                     | LT-2222    | Operating Spring                |
| LT-1467    | Coil Core                     | LT-2226    | Stud                            |
| LT-1468    | Tube                          | LT-2227    | Contact Spring                  |
| LT-1493    | Control Contact Insulator     | LT-2229-A  | B.O. Connector                  |
| LT-155     | Washer, Steel                 | LT-2250-A  | Coil                            |



| OEM PART   | DESCRIPTION                   | OEM PART   | DESCRIPTION                     |
|------------|-------------------------------|------------|---------------------------------|
| LT-2252    | B/O Coil                      | LT-3121    | Oilite Bearing                  |
| LT-2265-A  | Blowout Guard                 | LT-3122    | Stop Plate, Steel               |
| LT-2405-A  | Special Arc Shield            | LT-3123    | Contact Arm Clamp               |
| LT-2446-A  | Main Terminal Stud            | LT-3124    | Magnet Arm Clamp                |
| LT-2546    | Contact Board, Only           | LT-3125    | Bearing Bracket Clamp           |
| LT-2583-A  | Retarding Coil                | LT-3126    | Stop Bar, Steel                 |
| LT-2584-A  | Retarding Coil                | LT-3128-A  | Blowout Connector               |
| LT-2585-A  | Retarding Coil                | LT-3129    | Support                         |
| LT-2586-A  | Retarding Coil                | LT-3148    |                                 |
| LT-2614    | Shaft Insulator               | LT-3171    | Blowout Coil                    |
| LT-2615    | Shaft Insulator               | LT-3178    | Bushing, For Stop Plate         |
| LT-2636-A  | B/O Coil                      | LT-3179    | Spring, for Stop Plate          |
| LT-2646-A  | Main Terminal Stud            | LT-3183-AB | Contact Bracket                 |
| LT-2656-A  | Blowout Coil                  | LT-3184-A  | Contact Bracket                 |
| LT-2657-A  | Blowout Coil                  | LT-3206    | Coil                            |
| LT-2658-A  | Blowout Coil                  | LT-3210-A  | Main Arm, Comp. w/ Spring Pin   |
| LT-2658-AB | Blowout Coil                  | LT-3211-A  | Frame, Steel, w/ Coil Springs   |
| LT-2954-A  | Bearing Plate                 | LT-3212-A  | Connector, Copper Cable, Tinned |
| LT-2957    | Clutch Key                    | LT-3213-A  | Mag Arm                         |
| LT-3017-A  | Coil                          | LT-3220    | Operating Spring Pin            |
| LT-3020-A  | Main Arm, Comp. w/ Spring Pin | LT-3222    | Operating Spring                |
| LT-3021    | Contact Tip                   | LT-3223    | Operating Spring Retainer       |
| LT-3023-A  | Frame, Steel, w/ Coil Springs | LT-3224    | Core Spacer, Bronze             |
| LT-3024-A  | Arc Shield, Complete          | LT-3226    | Operating Spring Stud           |
| LT-3025-A  | Connector                     | LT-3227    | Contact Spring                  |
| LT-3027    | Tip                           | LT-3229-A  | B.O. Connector                  |
| LT-3028-A  | Auxiliary Arm                 | LT-3250-A  | Coil                            |
| LT-3029-A  | Magnet Arm Bracket            | LT-3265-A  | Blowout Guard                   |
| LT-3031    | Contact Tip                   | LT-3273    |                                 |
| LT-3031-S  | Silver Contact Tip            | LT-3367    | Bracket                         |
| LT-3032    | Arc Plate                     | LT-3394    | Set Screw                       |
| LT-3033-A  | Blowout Coil                  | LT-3395    | Set Screw                       |
| LT-3034    | Guard                         | LT-3396    | Stop Bar, Steel                 |
| LT-3035    | Arc Shield Left Side          | LT-3657-AB | Blowout Coil & Contact Bracket  |
| LT-3036    | Arc Shield, Complete          | LT-3658-A  | Blowout Coil & Contact Bracket  |
| LT-3037    | Magnet Arm Pin                | LT-3675-AB | Blowout Coil & Contact Bracket  |
| LT-3039    | Blowout Core                  | LT-3676-AB | Blowout Coil & Contact Bracket  |
| LT-3040    | Coil Core, Steel              | LT-4016-A  | Coil, 115 Volt                  |
| LT-3041    | Nut                           | LT-4017-A  | Coil                            |
| LT-3044-A  | Main Terminal Stud            | LT-4020-A  | Main Arm With Bushings          |
| LT-3045-A  | Main Terminal Stud            | LT-4023-A  | Frame, Steel, w/ Coil Springs   |
| LT-3050    | Arc Shield Clip               | LT-4025-A  | Connector                       |
| LT-3052    | Blowout Ear                   | LT-4028-A  | Aux. Arm With Bushings          |
| LT-3064    | Blowout Ear Spacer            | LT-4029-A  | Mag Arm Bracket                 |
| LT-3065    | Base                          | LT-4037    | Mag Arm Pin                     |
| LT-3067    | Core Cap, Steel               | LT-4039-A  | Arm                             |
| LT-3068    | Washer, Steel                 | LT-4040    | Coil Core, Steel                |
| LT-3071    | Spacer, Steel                 | LT-4044-A  | Main Terminal Stud              |
| LT-3072    | Stud, for Blowout Ear Spacer  | LT-4045-A  | Main Terminal Stud              |
| LT-3074    | Insulator, for Blowout Core   | LT-4067    | Core Cap                        |
| LT-3075    | Insulator, for Blowout Ear    | LT-4076    | Insulator                       |
| LT-3076    | Insulator                     | LT-4098-A  | Connector                       |
| LT-3077    | Contact Spring                | LT-4113-A  | Coil                            |
| LT-3079    | Stat. Side Control Contact    | LT-4458-A  | Assembled Contact Bracket       |
| LT-3081    | Arc Plate Connector           | LT-4510-G  | Contact Bracket                 |
| LT-3090-A  | Blowout Connector             | LT-4511-G  | Assembled Contact Bracket       |
| LT-3091    | Spring Washer                 | LT-4606-A  | Assembled Manual Oper. Shaft    |
| LT-3092    | Set Screw                     | LT-4607-A  | Shaft                           |
| LT-3093    | Set Screw                     | LT-4623-AE | Coil                            |
| LT-3110-A  | Contact Arm, w/ Bearings      | LT-4655-A  | Blowout Coil & Bracket 800 Amp  |
| LT-3111-A  | Magnet Arm, Comp.             | LT-4656-A  | Blowout Coil & Bracket 800 Amp  |
| LT-3112-A  | Arm                           | LT-4657    | Bracket                         |
| LT-3113    | Magnet Arm Bracket            | LT-4668-A  | Main Terminal Stud              |
| LT-3114-A  | Connector                     | LT-4669-A  | Arc Shield                      |
| LT-3115    | Bearing Bracket               | LT-4677-A  | Main Terminal Stud              |
| LT-3120-A  | Shaft, w/ Insulation          | LT-4678-A  | Main Terminal Stud              |

This document utilizes an interactive table of contents to help you jump from one section to another. Click the button to return to the table of contents.

**RETURN TO  
TABLE OF CONTENTS**

*BRAKES*

*CONTACTORS*

*SAFETY LIMIT STOPS*

*MISCELLANEOUS*

*INDEX*

This document utilizes an interactive table of contents to help you jump from one section to another. Click the button to return to the table of contents.

**RETURN TO  
TABLE OF CONTENTS**

*BRAKES*

*CONTACTORS*

*SAFETY LIMIT STOPS*

*MISCELLANEOUS*

*INDEX*

| OEM PART   | DESCRIPTION                    | OEM PART   | DESCRIPTION                         |
|------------|--------------------------------|------------|-------------------------------------|
| LT-4681-A  | B.O. Coil                      | LT-4913    | Operating Lever                     |
| LT-4682-A  | Blowout Coil & Contact Bracket | LT-4914    | Roller Bracket                      |
| LT-4683-A  | B.O. Coil Bracket              | LT-4917    | Tie Bar                             |
| LT-4684-A  | Blowout Coil & Bracket 600 Amp | LT-4918    | Knocker                             |
| LT-4685-A  | Blowout Coil & Bracket         | LT-4925    | Pin                                 |
| LT-4686    | Blowout Coil                   | LT-4926    | Clamp                               |
| LT-4704-A  | Magnet Coil, 230 Volt          | LT-4928    | Insulator                           |
| LT-4704-AE | 230 VDC Coil, Encapsulated     | LT-6003    | Spacer                              |
| LT-4705-A  | Magnet Coil, 115 Volt          | LTZ-1009-A | 110 Volt Coil, Class 9998           |
| LT-4705-AE | 115 VDC Coil, Encapsulated     | LTZ-1011-A | 110 Volt Coil, Class 9998           |
| LT-4706-A  | Coil                           | LTZ-1018-A | 220 Volt Coil, Class 9998           |
| LT-4706-AE | Coil                           | LTZ-1021-A | 220 Volt Coil, Class 9998           |
| LT-4708-A  | Arc Shield                     | LTZ-1028-A | 440 Volt Coil, Class 9998           |
| LT-4709-A  | B/O Coil & Contact Bracket     | LTZ-1031-A | 440 Volt Coil, Class 9998           |
| LT-4710-A  | B/O Coil                       | LTZ-1032-A | 550 Volt Coil, Class 9998           |
| LT-4711-A  | B/O Coil                       | LTZ-1037-A | 550 Volt Coil, Class 9998           |
| LT-4712-A  | B/O Coil                       | LTZ-1064   | Shading Coil, 60 Cycle              |
| LT-4713-A  | Assembled Magnet Armature      | LTZ-1297   | Blowout Core Insulator              |
| LT-4714-A  | Assem Connector                | LTZ-1618   | Armature Spring                     |
| LT-4715-A  | Magnet Arm                     | LTZ-1752-A | Core 60 Cyc Complete                |
| LT-4716-A  | Aux Arm                        | LTZ-1780   | Core Stud, for 1" Base              |
| LT-4718    | Contact Tip                    | LTZ-1784   | Spring                              |
| LT-4718-S  | Contact                        | LTZ-1785   | Spring                              |
| LT-4720-A  | Arc Plate                      | LTZ-1809   | Coil Terminal Stud                  |
| LT-4727    | Aux Arm Guard                  | LTZ-1810   | Coil Terminal Stud                  |
| LT-4729-A  | Coil Frame                     | LTZ-1811   | Coil Terminal Stud                  |
| LT-4732-A  | B/O Guard                      | LTZ-1812   | Core Pin                            |
| LT-4733    | Arc Shield Clip                | LTZ-1864-A | Magnet Arm                          |
| LT-4734    | Arc Shield Hinge               | LTZ-2009-A | 110 Volt Coil, Class 9998           |
| LT-4737    | Spring Bracket                 | LTZ-2011-A | 110 Volt Coil, Class 9998           |
| LT-4738    | B/O Ear                        | LTZ-2017-A | 220 Volt Coil, Class 9998           |
| LT-4740-A  | B/O Connector                  | LTZ-2020-A | 220 Volt Coil, Class 9998           |
| LT-4741    | Arc Shield L.H.                | LTZ-2026-A | 440 Volt Coil, Class 9998           |
| LT-4742    | Arc Shield, R.H.               | LTZ-2029-A | 440 Volt Coil, Class 9998           |
| LT-4743    | B/O Ear Spacer                 | LTZ-2030-A | 550 Volt Coil, Class 9998           |
| LT-4744    | Blocks                         | LTZ-2033-A | 550 Volt Coil, Class 9998           |
| LT-4745    | Arc Shield Spacer              | LTZ-2064   | Shading Coil                        |
| LT-4746    | Block                          | LTZ-2752-A | Core                                |
| LT-4748    | Stud                           | LTZ-2780   | Core Stud, for 1" Base              |
| LT-4749    | Insl. For B/O Core             | LTZ-2783   | Washer                              |
| LT-4750    | Insl. For B/O Ear              | LTZ-2785   | Spring for Operating Coil           |
| LT-4751    | Insulator                      | LTZ-2812   | Core Pin                            |
| LT-4752    | Non-Magnetic Spacer            | LTZ-2821-A | Connector                           |
| LT-4754    | Connector                      | LTZ-2864-A | Armature                            |
| LT-4755    | Contact Spring                 | LTZ-3009-A | 110 Volt Coil, Class 9998           |
| LT-4757    | B/O Core                       | LTZ-3010-A | 110 Volt Coil, Class 9998           |
| LT-4777    | Aux Arm Pin                    | LTZ-3017-A | 220 Volt Coil, Class 9998           |
| LT-4778-A  | Connector Arc Plate            | LTZ-3019-A | 220 Volt Coil, Class 9998           |
| LT-4784-A  | Assembled Connector            | LTZ-3026-A | Coil for 3 pole 440 Volt Size 5 & 6 |
| LT-4785    | Set Screws                     | LTZ-3028-A | Coil For 440 Volt 2 Pole Contactor  |
| LT-4787    | Contact Tip                    | LTZ-3031-A | 550 Volt Coil, Class 9998           |
| LT-4787-S  | Contact                        | LTZ-3033-A | 550 Volt Coil, Class 9998           |
| LT-4804-A  | Coil                           | LTZ-3064   | Shading Coil                        |
| LT-4804-AE | Coil, 230 Volt                 | LTZ-3065   | Shading Coil                        |
| LT-4805-A  | Coil                           | LTZ-3125-A | Shaft Complete                      |
| LT-4805-AE | Coil                           | LTZ-3273   | Bracket                             |
| LT-4806-AE | Encapsulated Coil              | LTZ-3290-A | Blowout Core                        |
| LT-4808-A  | Main Arm                       | LTZ-3297   | Insulator for Blowout Core          |
| LT-4809-A  | Connector                      | LTZ-3298   | Blowout Ear Insulator               |
| LT-4814-A  | Magnet Frame                   | LTZ-3683   | Shaft Insulator                     |
| LT-4824    | Spacer                         | LTZ-3775   | Insulator, For Shaft                |
| LT-4837-A  | Coil                           | LTZ-4720-A | Coil                                |
| LT-4838-A  | Coil                           | LTZ-4752-A | Blowout Core                        |
| LT-4854-A  | Coil                           | LTZ-4753-A | Blowout Ear, Right Hand             |
| LT-4854-AE | Coil                           | LTZ-4754-A | Blowout Ear, Left Hand              |
| LT-4866-A  | Coil & Bracket Assembly        | LWZ-3072   | Spring (CM Master)                  |

| OEM PART          | DESCRIPTION  | OEM PART                | DESCRIPTION                        |
|-------------------|--|-------------------------|------------------------------------|
| LWZ-3076-A        | Terminal Block                                     | NO. 0 TYPE S            | NO SP Front Connect Contactor      |
| LWZ-4004-A        | Coil   | NO. 1 Type L Folio 1-A  | Nema 3 Contactor, N.O.S.P.         |
| LWZ-4027          | Contact  | NO. 2 TYPE L            | NO SP Front Connect Contactor      |
| LZ-1044           | Hairpin Clip                                       | NO. 2 TYPE L            | SC,SP, Front Connect Contactor     |
| LZ-1301           | Magnet Arm Clamp                                   | NO. 20 Youngstown       | Power Limit Switch                 |
| LZ-1303-A         | Assembled Blowout Connector                        | NO. 3 Type L , N.C.S.P. | Contact Complete                   |
| LZ-2301           | Magnet Arm Clamp                                   | NO. 4A TYPE L           | N.O.S.P. Front Connected Contactor |
| LZ-3017-A         | Assembled Core, 60 Cyc                             | NO. 4A TYPE L           | NC,SP, Front Connect Contactor     |
| LZ-3018-A         | Assembled Core                                     | NT-102                  | R.H. Segment                       |
| LZ-3019-A         | Blowout Ear, RH                                    | NT-103                  | Segment                            |
| LZ-3020-A         | Blowout Ear, LH                                    | NT-104                  | Segment                            |
| LZ-3029-A         | Stop Bar   | NT-105                  | R.H. Segment                       |
| LZ-3030           | Stop Plate   | NT-106                  | L.H. Segment                       |
| LZ-3031           | Core Adjusting Block                               | NT-107                  | Segment                            |
| LZ-3032           | Coil Spring  | NT-108                  | Segment                            |
| LZ-3033           | Spring   | NT-109                  | Segment                            |
| LZ-3036           | Core Stud  | NT-10-A                 | Assembled Frame                    |
| LZ-3037           | Core Stud  | NT-110                  | R.H. Segment                       |
| LZ-3038           | Core Pin   | NT-111                  | L.H. Segment                       |
| LZ-3039           | Washer   | NT-112                  | L.H. Segment                       |
| LZ-3080-A         | Magnet Arm   | NT-1158                 | Segment                            |
| LZ-3314-A         | Connector  | NT-1185                 | Segment                            |
| LZ-4016-A         | Magnet Arm   | NT-119                  | Segment                            |
| LZ-4028           | Stop Bar   | NT-11-A                 | Assembled Frame                    |
| LZ-4030           | Stop Plate   | NT-120                  | R.H. Segment                       |
| LZ-4036           | Core Stud  | NT-12-A                 | Cover, Complete                    |
| LZ-4038           | Core Pin   | NT-1309                 | Handle Support                     |
| LZ-4045-G         | Assembled Contact Arm Complete                     | NT-1312-A               | Assembled Button w/Rod             |
| LZ-4049-A         | Contact Arm  | NT-1313                 | Handle Stud                        |
| LZ-4050-A         | Blowout Connector                                  | NT-1315                 | Latch Link                         |
| LZ-4053           | Contact Arm Clamp                                  | NT-1333                 | Ball Handle                        |
| LZ-4055-A         | Shaft, Complete W/insulators                       | NT-1353                 | Segment                            |
| LZ-4060           | Auxiliary Arm Main Contact Pin                     | NT-13-A                 | Shaft                              |
| LZA-6119-A        | Assembled Shaft                                    | NT-14                   | Frame                              |
| LZA-6123          | Contact Arm Clamp                                  | NT-1432-A               | Assembled Operating Handle         |
| LZA-6131-A        | Arc Guard  | NT-147                  | Spring                             |
| LZA-6134          | Insulator  | NT-15                   | Operating Lever                    |
| LZA-6135          | Blowout Ear Spacer                                 | NT-151                  | Latch Rod                          |
| LZA-6136-A        | Assembled Contact Arm                              | NT-1513                 | Rod Stud                           |
| LZA-6145          | Bracket  | NT-1514                 | Link Stud                          |
| LZA-6146          | Contact Spring Bracket                             | NT-1530                 | L.H. Segment                       |
| LZA-6149          | Release Spring                                     | NT-16                   | Rail                               |
| LZA-6193-A        | Blowout Guard                                      | NT-17                   | Dead Block                         |
| LZA-6199-A        | Blowout Coil & Contact Bracket                     | NT-181                  | Spring                             |
| LZA-7124          | Auxiliary Arm Guard                                | NT-18-A                 | Contact Finger with Tip            |
| LZA-7125-A        | Assembled Connector                                | NT-19                   | Finger Holder                      |
| LZA-7148-SE       | Contact Tip  | NT-20                   | Arm                                |
| LZAQ-4751-A       | Kit without Blowout Coil                           | NT-22                   | Roller Bracket                     |
| LZAQ-4752-A       | Kit, Back Connected                                | NT-23                   | Roller Bracket Pin                 |
| LZAQ-4753-A       | Kit, Front Connected                               | NT-24                   | Stop Stud                          |
| ME1 CLASS 9998    | Contact Kit  | NT-25                   | Bearing                            |
| MEO-3             | Nema 3, Contactor                                  | NT-256                  | L.H. Segment                       |
| MFO-1             | Nema 4, Contactor                                  | NT-26                   | Roller Pin                         |
| MFO-3             | Nema 4, 150 Amp, DC Contactor                      | NT-28                   | Face Plate                         |
| MG-1, Series C    | Master Switch, Class 6815                          | NT-29                   | Segment                            |
| MGO-1             | Class 7004, Line Arc Contactor, Nema Size 5A, N.O. | NT-30                   | Segment                            |
| MHO-3, Class 7004 | Nema 6, DC Contactor, N.C.                         | NT-31                   | Segment                            |
| MM-8              | Shaft Insulator                                    | NT-32                   | Segment                            |
| MM-9              | Shaft Insulator                                    | NT-33                   | Segment                            |
| MT-450-A          | Assembled Terminal Lug                             | NT-34                   | Segment                            |
| MT-517            | Designation Plate                                  | NT-349                  | L.H. Segment                       |
| MT-691            | Equalizer Screw Washer                             | NT-35                   | Segment                            |
| MT-835            | Blade  |                         |                                    |
| MXCO-1            | Nema 1 Contactor                                   |                         |                                    |
| MXDO-3            | Nema 2, Contactor N.C                              |                         |                                    |

This document utilizes an interactive table of contents to help you jump from one section to another. Click the button to return to the table of contents.

**RETURN TO  
TABLE OF CONTENTS**

*BRAKES*

*CONTACTORS*

*SAFETY LIMIT STOPS*

*MISCELLANEOUS*

*INDEX*

This document utilizes an interactive table of contents to help you jump from one section to another. Click the button to return to the table of contents.

**RETURN TO  
TABLE OF CONTENTS**

*BRAKES*

*CONTACTORS*

*SAFETY LIMIT STOPS*

*MISCELLANEOUS*

*INDEX*

| OEM PART | DESCRIPTION                | OEM PART | DESCRIPTION                 |
|----------|----------------------------|----------|-----------------------------|
| NT-350   | L.H. Segment               | NT-93    | Lock Spring                 |
| NT-351   | L.H. Segment               | NT-94    | Pin                         |
| NT-354   | L.H. Segment               | NT-95    | Handle Stud                 |
| NT-36    | Segment                    | NT-96-A  | Operating Lever             |
| NT-37    | Segment                    | NT-97-A  | Assembled Frame             |
| NT-38    | Segment                    | NT-983   | L.H. Segment                |
| NT-39    | R.H. Segment               | NT-984   | L.H. Segment                |
| NT-392   | Segment                    | NT-98-A  | Assembled Frame             |
| NT-40    | L.H. Segment               | NT-9-A   | Lever                       |
| NT-41    | R.H. Segment               | NX-154-A | Lever                       |
| NT-42    | L.H. Segment               | NX-248   | Lock Casing                 |
| NT-43    | Contact, Copper            | NX-249   | Pin                         |
| NT-435   | L.H. Segment               | NX-32-A  | Contact Arm Complete        |
| NT-44    | L.H. Segment               | NX-40    | Roller Bracket Pin          |
| NT-45    | R.H. Segment               | NX-41    | Retainer                    |
| NT-46    | R.H. Segment               | NX-58    | Contact                     |
| NT-47    | R.H. Segment               | NX-59    | Segment                     |
| NT-470   | L.H. Segment               | NX-60    | Segment                     |
| NT-48    | Segment                    | NX-61    | Segment                     |
| NT-49    | R.H. Segment               | NX-62    | Segment                     |
| NT-4-A   | Plate Face Assy.           | NX-63    | Segment                     |
| NT-5     | Plate                      | NX-64    | Fibre Block                 |
| NT-50    | R.H. Segment               | NX-65    | Fibre Block                 |
| NT-51    | Dead Block                 | NX-67    | Key                         |
| NT-52    | Dead Block                 | NX-68    | Pin                         |
| NT-53    | Dead Block                 | NX-69    | Roller                      |
| NT-54    | Dead Block                 | NX-70    | Spring                      |
| NT-55    | Dead Block                 | Q-106    | Guard                       |
| NT-56    | Dead Block                 | Q-164    | Lead Block                  |
| NT-566   | Finger Tip                 | Q-165    | Lead Block Stud             |
| NT-567   | Contact Finger without Tip | Q-169    | Lead Block Stud             |
| NT-568-A | Finger Connector           | Q-257    | Lead Block                  |
| NT-57    | R.H. Segment               | Q-305    | Terminal Guard              |
| NT-58    | Dead Block                 | Q-368    | Lead Block                  |
| NT-59    | Segment                    | Q-369    | Lead Block Stud             |
| NT-60    | Segment                    | QB-2061  | Spring Collar               |
| NT-61    | Segment                    | RS-130   | Special Cotter              |
| NT-62    | Dead Block                 | S-0107-A | Core                        |
| NT-63    | Dead Block                 | S-0110   | Coil Terminal Stud          |
| NT-64    | Dead Block                 | S-0129-A | Core                        |
| NT-65    | Dead Block                 | S-0131   | Stop Plate                  |
| NT-679   | Segment                    | S-0132   | Stop Bar                    |
| NT-68    | Roller                     | S-0143-A | Core                        |
| NT-69    | Finger Pin                 | S-0163-G | Magnet Assembly             |
| NT-6-A   | Face Plate                 | S-0164   | Core                        |
| NT-70    | Spacer                     | S-0166   | Coil Washer                 |
| NT-701   | Ball Bearing               | S-0334-G | Stationary Contact Assembly |
| NT-71    | Screw                      | S-0335-G | Magnet Arm Assembly         |
| NT-715   | R.H. Segment               | S-0336-G | Magnet Arm Assembly         |
| NT-716   | L.H. Segment               | S-04724  | Stud                        |
| NT-717   | R.H. Segment               | S-1025   | Contact Assembly            |
| NT-718   | L.H. Segment               | S-124-A  | B.O. Coil                   |
| NT-72    | Frame Stud                 | S1440808 | Coil                        |
| NT-73    | Terminal, Steel            | S-182    | Contact                     |
| NT-74    | Roller Spring              | S-186-A  | Blade                       |
| NT-75    | Spring                     | SE-48    | Arm                         |
| NT-76    | Shaft Key                  | SI-12    | Bushing Lock                |
| NT-77    | Frame                      | SI-125-A | Assembled Inductor Tube     |
| NT-78    | Segment                    | SI-128-A | Coil Spool                  |
| NT-79    | Operating Lever            | SI-129   | Case                        |
| NT-87    | Dead Block                 | SI-132-A | Contact                     |
| NT-87-M  | Block                      | SI-133   | Spacer                      |
| NT-88    | Frame                      | SI-14    | Core                        |
| NT-89    | Frame                      | SI-140-A | Cover                       |
| NT-8-A   | Contact Arm                | SI-16    | Nut                         |
| NT-91    | Lock Pin                   | SI-24-A  | Bushing                     |



| OEM PART          | DESCRIPTION                      | OEM PART   | DESCRIPTION                    |
|-------------------|----------------------------------|------------|--------------------------------|
| SI-26-A           | Contact                          | SK-71-A    | Spring Stud                    |
| SI-3              | Cover Spring                     | SK-82-A    | Coil                           |
| SI-31A            | Coil                             | SK-83-A    | Coil                           |
| SI-32A            | Coil                             | SK-87-AE   | Coil                           |
| SI-33A            | Coil                             | SK-88-A    | Coil                           |
| SI-34A            | Coil                             | SK-89-A    | Coil                           |
| SI-35A            | Coil                             | SK-93      | Frame Plate                    |
| SI-36A            | Coil                             | SK-95      | Armature Plate                 |
| SI-37A            | Coil                             | SK-96      | Arm Spring                     |
| SI-38A            | Coil                             | SP-875     | Thrust Washer                  |
| SI-38-A           | Coil                             | SS-0107    | Core                           |
| SI-39A            | Coil                             | SS-0110    | Coil Terminal Stud             |
| SI-40A            | Coil                             | SS-0282    | Coil Terminal Stud             |
| SI-41A            | Coil                             | SS-0305    | Stop Plate                     |
| SI-42A            | Coil                             | SS-0491-A  | Coil                           |
| SI-43A            | Coil                             | SS-0540-A  | Side Control Contact w/ Spring |
| SI-44A            | Coil                             | SS-0735-A  | Coil                           |
| SI-45A            | Coil                             | SS-0746-A  | Arc Shield                     |
| SI-63A            | Coil                             | SS-0747-A  | B.O. Coil, 50 Amp              |
| SI-64A            | Coil                             | SS-0748    | B.O. Coil 25 Amp               |
| SI-65A            | Coil                             | SS-0748-A  | Blowout Coil, 25 Amp           |
| SI-66A            | Coil                             | SS-0750    | Bracket                        |
| SI-67A            | Coil                             | SS-0751    | Contact Tip                    |
| SI-68             | Gasket                           | SS-0751S   | Contact Tip                    |
| SI-78A            | Coil                             | SS-0752    | Horn                           |
| SI-82             | Contact Blade Guard              | SS-0753    | Ear                            |
| SI-83             | Contact Stud                     | SS-0754    | Contact Finger                 |
| SI-84             | Contact Stud                     | SS-0755-A  | Contact Finger                 |
| SI-86-A           | Contact Blade                    | SS-0755-AS | Silver Contact Finger Assembly |
| SI-87-A           | Assembled Contact Stud           | SS-0756    | Terminal Stud                  |
| SI-88-A           | Assembled Contact Stud           | SS-0757    | Stud                           |
| SI-93-S           | Spring                           | SS-0758    | Stud                           |
| SI-94             | Binding Post                     | SS-0759    | Lock Plate                     |
| SIO-4, Class 7001 | Acceleration Relay, 80-167 Amps  | SS-0760    | Plate                          |
| SIO-5, Class 7001 | Acceleration Relay, 168-245 Amps | SS-0761    | Spring Retaining Plate         |
| SIO-6, Class 7001 | Acceleration Relay, 246-408 Amps | SS-0763-A  | Bracket                        |
| SIP               | Plug                             | SS-0764    | Armature Plate                 |
| SIP-16            | Sleeve                           | SS-0765    | Plate                          |
| SIP-19            | Spring                           | SS-0768    | Arm Spring                     |
| SIP-1-A           | Bushing                          | SS-0769-A  | Pin                            |
| SIP-21-A          | Coil                             | SS-0770    | Shield                         |
| SIP-22-A          | Coil                             | SS-0771    | Spacer                         |
| SIP-24            | Washer                           | SS-0772    | Bar                            |
| SIP-24-A          | Coil                             | SS-0775    | Spacer                         |
| SIP-25            | Bottom Adj. Plug                 | SS-0779    | Washer                         |
| SIP-26            | Plug                             | SS-0780    | Stop Bar                       |
| SIP-27            | Lock Spring                      | SS-0781    | Core                           |
| SIP-2-A           | Plunger                          | SS-0782-A  | Retarding Coil                 |
| SIP-4             | Plug                             | SS-0785-A  | Coil, 230 VDC                  |
| SIP-8             | Stop                             | SS-0785-AE | Coil                           |
| SK-1003           | Contact Support Arm              | SS-0786    | Guard                          |
| SK-1004           | Contact Support                  | SS-0793-A  | Armature                       |
| SK-1005           | Contact Support                  | SS-0795    | Plate                          |
| SK-1006           | Contact Support                  | SS-0796-A  | Bracket                        |
| SK-1010-A         | SK Relay                         | SS-0798    | Plate                          |
| SK-130            | Armature Bracket                 | SS-0799    | Control Contact Knocker        |
| SK-142            | Stop Plate                       | SS-0800    | Control Contact Insulator      |
| SK-143            | Stop Bar                         | SS-0802    | Spring                         |
| SK-164            | Washer                           | SS-0803    | Core Spacer                    |
| SK-48             | Frame Plate                      | SS-0804    | Washer                         |
| SK-50             | Guide Plate                      | SS-0805    | Plate                          |
| SK-51             | Contact Support                  | SS-0806    | Bar                            |
| SK-52             | Spacer                           | SS-0807    | Coil Core                      |
| SK-56             | Spring                           | SS-0810-A  | Contact Bridge                 |
| SK-64-A           | Frame                            | SS-0812-A  | Contact Bracket                |
| SK-66             | Coil Core                        | SS-0814    | Base                           |

This document utilizes an interactive table of contents to help you jump from one section to another. Click the button to return to the table of contents.

**RETURN TO  
TABLE OF CONTENTS**

*BRAKES*

*CONTACTORS*

*SAFETY LIMIT STOPS*

*MISCELLANEOUS*

*INDEX*

This document utilizes an interactive table of contents to help you jump from one section to another. Click the button to return to the table of contents.

**RETURN TO  
TABLE OF CONTENTS**

*BRAKES*

*CONTACTORS*

*SAFETY LIMIT STOPS*

*MISCELLANEOUS*

*INDEX*

| OEM PART   | DESCRIPTION                | OEM PART             | DESCRIPTION                          |
|------------|----------------------------|----------------------|--------------------------------------|
| SS-0815    | Shaft Guide                | SS-2637              | Plate                                |
| SS-0816    | Button, Bakelite           | SS-2642              | Contact Tip                          |
| SS-0817    | Shaft                      | SS-275               | Fibre Bushing                        |
| SS-0818    | Spring                     | SS-292               | Washer                               |
| SS-0819    | Spring                     | SS-3022              | Coil Terminal Stud, Steel            |
| SS-0820    | Terminal Stud              | SS-3051              | Lever Stud                           |
| SS-0821    | Terminal Stud              | SS-3065              | Coil Terminal Stud, Steel            |
| SS-0822    | Terminal Stud              | SS-322-A             | Control Contact Lever                |
| SS-0823    | Terminal Stud              | SS-326               | Contact Tip                          |
| SS-0827-A  | Frame                      | SS-328               | Spring                               |
| SS-0828-A  | Connector                  | SS-338               | Spring                               |
| SS-0834    | Contact Tip                | SS-340               | Special Cotter                       |
| SS-0847-A  | Frame                      | SS-365               | Contact                              |
| SS-0848-A  | Magnet Arm                 | SS-371               | Sleeve                               |
| SS-0852    | Main Terminal Stud         | SS-372               | Coil Terminal Stud, Steel            |
| SS-0853    | Main Terminal Stud         | SS-386               | Contact Screw                        |
| SS-0854    | Main Terminal Stud         | SS-395-A             | Connecting Bar                       |
| SS-0855    | Lock Plate                 | SS-426               | Contact Tip                          |
| SS-0858-A  | Connector                  | SS-4637              | Plate                                |
| SS-0860    | Spacer                     | SS-7060              | Stop Plate                           |
| SS-0861    | Arm Spring                 | SS-747-A             | Coil                                 |
| SS-0864    | Nut                        | SSX-213-A            | Assembled Contact                    |
| SS-0867-A  | Coil                       | SSX-213-Ab           | Stud on one side only                |
| SS-0876-A  | Coil                       | SSX-26-A             | Connector                            |
| SS-0891-A  | Coil                       | SSX-5-A              | Coil 115 VDC                         |
| SS-0896    | Spring                     | SSX-6-A              | Coil 230 VDC                         |
| SS-0898-S  | Contact                    | ST-130               | Nut                                  |
| SS-0905-AE | DC Magnet Coil             | TB-85-5              | Coil                                 |
| SS-0922-A  | Armature                   | Top                  | Stationary Tip for 9999-MX11         |
| SS-0933-A  | Connector                  | TW-76                | Washer                               |
| SS-0955-A  | Assembled Contact Arm      | TYPE DM              | Master Switch                        |
| SS-0957-A  | Assembled Contact Bracket  | TYPE MH1, CLASS 9998 | Contact Kit                          |
| SS-0958    | Armature Centering Bracket | V-1011               | Washer                               |
| SS-0959    | Retaining Plate            | VM-118               | Spring                               |
| SS-0960    | Spring Plate               | VM-119               | Notching Spring                      |
| SS-0968-A  | Armature Plate             | VM-11GS              | Spring Return Kit-Field Modification |
| SS-1050-A  | Connecting Bar             | VM-120               | Spring                               |
| SS-1056-A  | Contact Lever              | VM-122               | Handle Stud                          |
| SS-109     | Coil Clamp                 | VM-155               | Spring                               |
| SS-1139-A  | Contact Lever              | VM-180-A             | Assembled Mounting Plate             |
| SS-113-A   | Contact Arm                | VM-183               | Cam Yoke Pivot                       |
| SS-126     | Contact Tip                | VM-184               | Pinion                               |
| SS-1621-A  | Shunt                      | VM-185               | Bevel Gear                           |
| SS-1641    | Side Control Contact Stud  | VM-188               | Gear Shaft                           |
| SS-1642    | Contact Tip                | VM-189               | Gearbox                              |
| SS-1687-A  | Braided Connector          | VM-205               | Centering Spring                     |
| SS-1918    | Coil Terminal Stud, Steel  | VM-213               | Push Button Handle                   |
| SS-2049-A  | Connecting Bar             | VM-217               | Ball Handle                          |
| SS-2056-A  | Contact Lever              | VM-240               | Starwheel                            |
| SS-210-A   | Contact Arm. Complete      | VM-244A              | Assembled Angle Arm                  |
| SS-211     | Pin                        | VM-47-A              | Bellcrank Assembly                   |
| SS-213-A   | Contact Arm. Complete      | VM-49-A              | Assembled Spring-return frame        |
| SS-2226-A  | Contact Lever              | VM-51                | Lower end frame                      |
| SS-2227-A  | Contact Lever              | VM-52                | Starwheel                            |
| SS-226     | Contact Tip                | VM-54                | Starwheel                            |
| SS-2265    | Contact                    | VM-56                | Gearbox Cover                        |
| SS-226-S   | Contact Tip                | VM-63                | Stop Screw                           |
| SS-227     | Shunt Shield               | VM-64                | Stop Screw                           |
| SS-228     | Connector                  | VM-66                | Shaft End Sleeve                     |
| SS-230     | Pin                        | VM-67                | Camshaft                             |
| SS-231-A   | Contact Arm. Complete      | VM-68                | Camshaft                             |
| SS-232     | Aux. Contact Arm           | VM-69                | Camshaft                             |
| SS-2332-A  | Connector                  | VM-70                | Camshaft                             |
| SS-2333-A  | Shunt                      | VM-71A               | Spring return cam                    |
| SS-2420    | Core                       | VM-74                | Roller Mountain Pin                  |
| SS-2635    | Contact                    | VM-79                | Spring Guide                         |

| OEM PART  | DESCRIPTION                    | OEM PART  | DESCRIPTION                    |
|-----------|--------------------------------|-----------|--------------------------------|
| VM-84     | Spring Rod Pin                 | W-10117   | Adjusting Ring                 |
| VM-85     | Contact Board                  | W-10118   | Spring, 50% Of Std. Torque     |
| VM-86     | Contact Board                  | W-10157   | Plate                          |
| VM-87     | Contact Board                  | W-10159   | Pin                            |
| VM-88     | Contact Board                  | W-10160   | Pin Collar                     |
| VM-89-A   | Vertical Frame Member          | W-10252-A | Coil                           |
| VM-8-A    | Assembled Starwheel Roller     | W-10253-A | Coil, 20-27 HP                 |
| VM-90-A   | Vertical Frame Member          | W-10254-A | Coil, 16-20 HP                 |
| VM-91-A   | Vertical Frame Member          | W-10255-A | Coil, 13-16 HP                 |
| VM-92-A   | Vertical Frame Member          | W-10256-A | Coil, 10-12 HP                 |
| VM-97     | Spacer                         | W-10257-A | Coil, 7-10 HP                  |
| VM-98     | Spacer                         | W-10261-A | Coil                           |
| VM-99     | Spacer                         | W-10264-A | Shunt Coil                     |
| W-10001-A | Assembled Magnet               | W-10268-A | Shunt Coil                     |
| W-10002-A | Assembled Armature             | W-10281-A | Lead Bushing                   |
| W-10003-A | Armature, Complete             | W-13001-A | Assembled Magnet, Complete     |
| W-10004-A | Assembled Brake Shoe Complete  | W-13002-A | Assembled Armature, Complete   |
| W-10005   | Brake Shoe, Only               | W-13003-A | Armature with Bearings         |
| W-10006-A | Assembled Shoe Lever           | W-13004-A | Assembled Brake Shoe, Complete |
| W-10007-A | Assembled Shoe Lever           | W-13005   | Shoe                           |
| W-10008-A | Shoe Lever With Bearings       | W-13006-A | Assembled Shoe Lever           |
| W-10009-A | Assembled Connecting Rod       | W-13008-A | Shoe Lever with Bearing        |
| W-10012-A | Assembled Spring Rod           | W-13009-A | Assembled Connecting Rod, Comp |
| W-10017   | Magnet Case                    | W-13012-A | Assembled Spring Rod, Comp     |
| W-10018-A | Assembled Frame, Complete      | W-13015-A | Cam                            |
| W-10020   | Operating Spring               | W-13018-A | Assembled Frame, Complete      |
| W-10021   | Centering Spring               | W-13020   | Operating Spring               |
| W-10022   | Manual Release Nut             | W-13021   | Centering Spring               |
| W-10023   | Spring Adjusting Nut           | W-13022   | Manual Release Nut             |
| W-10024   | Dust Shield                    | W-13023   | Spring Adjusting Nut           |
| W-10025   | Cam Rail                       | W-13024   | Dust Shield                    |
| W-10028   | Frame Bushing                  | W-13025   | Cam Rail                       |
| W-10029   | Lead Bushing                   | W-13026   | Header Block                   |
| W-10030   | Magnet Hinge Pin               | W-13028   | Bronze Frame Bushing           |
| W-10031   | 8" Spring Rod Pin              | W-13030   | Magnet Hinge Pin               |
| W-10032   | Shoe Pin                       | W-13031   | Connecting Rod Pin             |
| W-10033   | Shoe Lever Pin                 | W-13032   | Shoe Pin                       |
| W-10034   | Shoe Lever Pin, Armature End   | W-13033   | Shoe Lever Pin (Frame End)     |
| W-10035   | Spring Rod Pin                 | W-13034   | Shoe Lever Pin (Armature End)  |
| W-10039   | Lead Gasket                    | W-13035   | Spring Rod Pin                 |
| W-10040   | Magnet Adjusting Screw         | W-13039   | Gasket                         |
| W-10041   | Lock Nut                       | W-13040   | Magnet Adjusting Screw         |
| W-10042   | Lock Nut                       | W-13041   | Lock Nut                       |
| W-10043   | Brake Block                    | W-13042   | Lock Nut                       |
| W-10045   | Spring Collar                  | W-13043   | Brake Block                    |
| W-10047-A | Assembled Grease Unit          | W-13045   | Spring Collar                  |
| W-10048   | Tube                           | W-13046   | Rivet                          |
| W-10078   | Operating Spring               | W-13047-A | Assembled Grease Unit, Comp.   |
| W-10079   | Drag Link Pin                  | W-13048   | Tube                           |
| W-10080   | Lock Nut                       | W-13049   | Air Gap Indicator              |
| W-10081   | Hinge Pin                      | W-13054-A | Series Coil                    |
| W-10082   | Shoe Pin                       | W-13076   | Spring Adjusting Nut           |
| W-10083   | Pin                            | W-13080   | Lock Nut                       |
| W-10086   | Nut, LH                        | W-13087-A | Magnet Case, Only              |
| W-10088   | Magnet Adjusting Nut           | W-13088   | Magnet Adjusting Nut           |
| W-10089   | Terminal Shield                | W-13089   | Terminal Shield                |
| W-10090   | Lead Clamp Stud                | W-13090   | Lead Clamp Stud                |
| W-10091   | Lead Clamp                     | W-13091   | Lead Clamp                     |
| W-10092   | Washer                         | W-13092   | Washer                         |
| W-10094-A | Spring Rod                     | W-13094-A | Assembled Spring Rod, Complete |
| W-10095-A | Connecting Rod                 | W-13095-A | Connecting Rod with Bearings   |
| W-10098   | 10" Connecting Rod Pin         | W-13098   | Connecting Rod Pin             |
| W-10113   | Spring, 12 1/2% Of Std. Torque | W-13120   | Spring, 66% Of Std. Torque     |
| W-10114   | Pin                            | W-13121   | Spring, 33% Of Std. Torque     |
| W-10115   | Collar                         | W-13151-A | Connecting Rod W/Bearings      |
| W-10116   | Rail                           | W-13157   | Plate                          |

This document utilizes an interactive table of contents to help you jump from one section to another. Click the button to return to the table of contents.

**RETURN TO  
TABLE OF CONTENTS**

*BRAKES*

*CONTACTORS*

*SAFETY LIMIT STOPS*

*MISCELLANEOUS*

*INDEX*

This document utilizes an interactive table of contents to help you jump from one section to another. Click the button to return to the table of contents.

**RETURN TO  
TABLE OF CONTENTS**

*BRAKES*

*CONTACTORS*

*SAFETY LIMIT STOPS*

*MISCELLANEOUS*

*INDEX*

| OEM PART  | DESCRIPTION                    | OEM PART  | DESCRIPTION                   |
|-----------|--------------------------------|-----------|-------------------------------|
| W-13159   | Pin                            | W-16152-A | Connecting Rod w/Bearings     |
| W-13160   | Collar                         | W-16154   | Operating Spring              |
| W-13161   | Rail                           | W-16157   | Retaining Plate               |
| W-13163   | Spring, 50% of Std. Torque     | W-16160   | Pin                           |
| W-13187   | Coil Retaining Plate           | W-16161   | Collar                        |
| W-13250-A | Coil                           | W-16162   | Rail                          |
| W-13251-A | Series Coil                    | W-16163   | Adjusting Ring                |
| W-13252-A | Coil, 35-45 HP, T-1303         | W-16165   | Stop Bracket                  |
| W-13253-A | Series Coil, 26-33 HP          | W-16251-A | Coil, 57-75 HP                |
| W-13262-A | Coil, T-1351                   | W-16252-A | Coil, 52-65 HP                |
| W-13263-A | Coil                           | W-16253-A | Coil, 43-55 HP                |
| W-13265-A | Shunt Coil                     | W-16254-A | Coil, 32-40 HP                |
| W-13266-A | Coil Shunt                     | W-16262-A | Coil                          |
| W-13267-A | Coil                           | W-16265-A | Shunt Coil, 230 VDC           |
| W-13268-A | Shunt Coil                     | W-16269-A | Shunt Coil                    |
| W-13269   | Coil                           | W-16274-A | Coil, 80-100 HP               |
| W-13270   | Coil                           | W-16286-A | Coil                          |
| W-13286-A | Coil, T-1364                   | W-19001-A | Assembled Magnet, Complete    |
| W-13292-A | Terminal Bushing               | W-19002-A | Assembled Armature            |
| W-16001-A | Assembled Magnet Complete      | W-19003-A | Armature                      |
| W-16002-A | Assembled Armature, Complete   | W-19004-A | Assembled Brake Shoe Complete |
| W-16003-A | Armature                       | W-19005   | Brake Shoe                    |
| W-16004-A | Assembled Brake Shoe, Complete | W-19006-A | Assembled Shoe Lever Complete |
| W-16005-A | Brake Shoe                     | W-19007-A | Assembled Shoe Lever Complete |
| W-16006-A | Assembled Shoe Lever, Complete | W-19008-A | Assembled Shoe Lever          |
| W-16007-A | Assembled Shoe Lever, Complete | W-19009-A | Assembled Connecting Rod      |
| W-16008-A | Shoe Lever                     | W-19012-A | Assembled Spring Rod Complete |
| W-16009-A | Assembled Connecting Rod Comp  | W-19015-A | Cam                           |
| W-16012-A | Spring Rod Complete            | W-19018-A | Assembled Frame, Complete     |
| W-16018-A | Assembled Frame, Complete      | W-19020   | Operating Spring              |
| W-16020   | Operating Spring               | W-19021   | Centering Spring              |
| W-16021   | Centering Spring               | W-19022   | Manual Release Nut            |
| W-16022   | Manual Release Nut             | W-19023   | Spring Adjusting Nut          |
| W-16023   | Spring Adjusting Nut           | W-19024   | Dust Shield                   |
| W-16024   | Dust Shield                    | W-19025   | Cam Rail                      |
| W-16025   | Cam Rail                       | W-19028   | Steel Base Bushing            |
| W-16027   | Screw                          | W-19029   | Lead Bushing (strap wound)    |
| W-16028   | Bearing                        | W-19030   | Magnet Hinge Pin              |
| W-16029   | Lead Bushing                   | W-19031   | Connecting Rod Pin            |
| W-16030   | Magnet Hinge Pin               | W-19032   | Shoe Pin                      |
| W-16031   | Connecting Rod Pin             | W-19033   | Shoe Lever Pin Fame End       |
| W-16032   | Shoe Pin                       | W-19034   | Shoe Lever Pin Armature Side  |
| W-16033   | Shoe Lever Pin (Frame End)     | W-19035   | Spring Rod Pin                |
| W-16034   | Shoe Lever Pin (Armature End)  | W-19039   | Gasket                        |
| W-16035   | Spring Rod Pin                 | W-19040   | Magnet Adjusting Screw        |
| W-16039   | Lead Gasket                    | W-19041   | Lock Nut                      |
| W-16040   | Magnet Adjusting Screw         | W-19043   | Brake Block                   |
| W-16041   | Lock Nut                       | W-19045   | Spring Collar                 |
| W-16042   | Lock Nut                       | W-19047-A | Assembled Grease Unit, Comp   |
| W-16043   | Brake Block                    | W-19048   | Tube                          |
| W-16045   | Spring Collar                  | W-19049   | Air Gap Indicator             |
| W-16046   | Rivet                          | W-19053-A | Series Coil                   |
| W-16047-A | Assembled Grease Unit, Comp.   | W-19054-A | Coil                          |
| W-16048   | Tube                           | W-19055   | Coil                          |
| W-16080   | Lock Nut                       | W-19079   | Lead Bushing (wire wound)     |
| W-16087-A | Magnet Case                    | W-19080   | Lock Nut                      |
| W-16088   | Magnet Adjusting Nut           | W-19087-A | Magnet Case                   |
| W-16089   | Terminal Shield                | W-19088   | Magnet Adjusting Nut          |
| W-16090   | Lead Clamp Stud                | W-19089   | Terminal Shield               |
| W-16091   | Lead Clamp                     | W-19090   | Lead Clamp Stud               |
| W-16092   | Washer                         | W-19091   | Lead Clamp                    |
| W-16094-A | Spring Rod w/Bearings          | W-19092   | Washer                        |
| W-16095-A | Connecting Rod                 | W-19094-A | Spring Rod                    |
| W-16098   | Connecting Rod Pin             | W-19095-A | Connecting Rod                |
| W-16123   | Spring, 50% Of Std. Torque     | W-19098   | Connecting Rod Pin            |
| W-16151-A | Rod                            | W-19141   | Lock Nut                      |



| OEM PART  | DESCRIPTION                    | OEM PART  | DESCRIPTION                          |
|-----------|--------------------------------|-----------|--------------------------------------|
| W-19149   | Cam Rail                       | W-23098   | Pin                                  |
| W-19151-A | Rod                            | W-23121   | Cam Rail                             |
| W-19152-A | Connecting Rod                 | W-23123   | Stop Bracket                         |
| W-19154   | Spring, 50% Of Std. Torque     | W-23124   | Cam Rail                             |
| W-19157   | Retaining Plate                | W-23125   | Adjusting Ring                       |
| W-19159   | Magnet Hinge Pin               | W-23126   | Retaining Plate Cover                |
| W-19160   | Pin Collar                     | W-23127   | Retaining Plate 7 holes              |
| W-19161   | Cam Rail                       | W-23127   | Retaining Plate, 19 holes, Folio 5A. |
| W-19166-A | Connecting Rod                 | W-23127   | Retaining Plate, 12 holes, Folio 5   |
| W-19167-A | Assembled Connecting Rod Comp. | W-23135-A | Assembled Connecting Rod             |
| W-19195-A | Connecting Rod                 | W-23159   | Spring, 50% Of Std. Torque           |
| W-19201-A | Assembled Magnet, Complete     | W-23201-A | Magnet Assembly                      |
| W-19250-A | Coil, 200-265 HP               | W-23232   | Magnet Hinge Pin                     |
| W-19253-A | Coil                           | W-23233   | Retainer/Pin Collar                  |
| W-19254-A | Series Coil, 80 HP - 108 HP    | W-23251-A | Coil, 265 HP                         |
| W-19255-A | Coil, 70-95 HP                 | W-23252-A | Brake Coil, 160-205 HP               |
| W-19257-A | Series Coil, 55-70 HP          | W-23253-A | Coil, 140-180 HP                     |
| W-19286   | Coil                           | W-23254-A | Coil 110-140 HP                      |
| W-19287-A | Magnet Case                    | W-23258-A | Coil                                 |
| W-19327   | Rivet                          | W-23261-A | Coil                                 |
| W-2125-A  | Coil                           | W-8001-A  | Assembled Magnet, Complete           |
| W-23001-A | Assembled Magnet, Complete     | W-8002-A  | Assembled Armature, Complete         |
| W-23002-A | Assembled Armature, Complete   | W-8003-A  | Armature w/ Bearings                 |
| W-23003-A | Armature                       | W-8004-A  | Assembled Brake Shoe, Complete       |
| W-23004-A | Assembled Brake Shoe, Complete | W-8005    | Brake Shoe, only                     |
| W-23005   | Brake Shoe, Only               | W-8006-A  | Assembled Shoe Lever, Complete       |
| W-23006-A | Assembled Shoe Lever, Complete | W-8007-A  | Assembled Shoe Lever, Complete       |
| W-23007-A | Assembled Shoe Lever, Complete | W-8008-A  | Shoe Lever w/ Bearings               |
| W-23008-A | Shoe Lever                     | W-8009-A  | Assembled Connecting Rod, Comp       |
| W-23009-A | Assembled Connecting Rod Comp. | W-8012-A  | Assembled Spring Rod, Complete       |
| W-23012-A | Assembled Spring Rod, Complete | W-8015-A  | Cam (replace with W-10117)           |
| W-23018-A | Assembled Frame                | W-8017    | Magnet Case, only                    |
| W-23020   | Operating Spring, Large        | W-8018-A  | Assembled Frame, Complete            |
| W-23021   | Centering Spring               | W-8020    | Operating Spring                     |
| W-23023   | Spring Adjusting Nut           | W-8021    | Centering Spring                     |
| W-23024   | Dust Shield                    | W-8022    | Manual Release Nut                   |
| W-23025   | Cam Rail                       | W-8023    | Spring Adjusting Nut                 |
| W-23027   | Equalizing Screw               | W-8024    | Dust Shield                          |
| W-23028   | Frame Bushing                  | W-8025    | Cam Rail                             |
| W-23029   | Lead Bushing                   | W-8027    | Equalizing Screw                     |
| W-23030   | Magnet Hinge Pin               | W-8028    | Frame Bushing                        |
| W-23031   | Connecting Rod Pin             | W-8029    | Lead Bushing                         |
| W-23032   | Shoe Pin                       | W-8030    | Magnet Hinge Pin                     |
| W-23033   | Shoe Lever Pin (Frame End)     | W-8032    | Shoe Pin                             |
| W-23034   | Shoe Lever Pin (Armature End)  | W-8034    | Shoe Lever Pin                       |
| W-23035   | Spring Rod Pin                 | W-8039    | Lead Gasket                          |
| W-23039   | Lead Gasket                    | W-8040    | Magnet Adjusting Screw               |
| W-23040   | Magnet Adjusting Screw         | W-8041    | Lock Nut                             |
| W-23042   | Lock Nut                       | W-8042    | Lock Nut                             |
| W-23043   | Lining                         | W-8043    | Brake Block                          |
| W-23045   | Spring Collar                  | W-8045    | Spring Collar                        |
| W-23047-A | Assembled Grease Unit, Comp.   | W-8047-A  | Assembled Grease Unit Complete       |
| W-23048   | Tube                           | W-8048    | Tube                                 |
| W-23052-A | Coil                           | W-8049    | Air Gap Indicator                    |
| W-23058-A | Coil                           | W-8053-A  | Coil, 10-1/2 to 15 HP                |
| W-23061-A | Coil                           | W-8054-A  | Coil, 8.5-11 HP                      |
| W-23078   | Spring Collar                  | W-8055-A  | Coil, 7-9 HP                         |
| W-23079   | Lead Bushing                   | W-8056-A  | Coil, 6-7 HP                         |
| W-23080   | Lock Nut                       | W-8057-A  | Coil, 4-5 HP                         |
| W-23082   | Operating Spring, Small        | W-8058-A  | Coil                                 |
| W-23087-A | Magnet Case                    | W-8065-A  | Coil, 115V                           |
| W-23088   | Magnet Adjusting Nut           | W-8068-A  | Shunt Coil                           |
| W-23089   | Terminal Shield                | W-8071-A  | Shunt Coil                           |
| W-23092   | Washer                         | W-8080    | Lock Nut                             |
| W-23094-A | Spring Rod                     | W-8086    | Coil Spacer                          |
| W-23095-A | Connecting Rod                 | W-8088    | Magnet Adjusting Nut                 |

This document utilizes an interactive table of contents to help you jump from one section to another. Click the button to return to the table of contents.

**RETURN TO  
TABLE OF CONTENTS**

*BRAKES*

*CONTACTORS*

*SAFETY LIMIT STOPS*

*MISCELLANEOUS*

*INDEX*

This document utilizes an interactive table of contents to help you jump from one section to another. Click the button to return to the table of contents.

**RETURN TO  
TABLE OF CONTENTS**

*BRAKES*

*CONTACTORS*

*SAFETY LIMIT STOPS*

*MISCELLANEOUS*

*INDEX*

| OEM PART  | DESCRIPTION                    | OEM PART   | DESCRIPTION                   |
|-----------|--------------------------------|------------|-------------------------------|
| W-8089    | Terminal Shield                | WB-119     | Centering Spring Pin          |
| W-8090    | Lead Clamp Stud                | WB-120     | Shoe Pin                      |
| W-8094-A  | Spring Rod w/ Bearings         | WB-121     | Armature Pin                  |
| W-8095-A  | Connecting Rod w/ Bearings     | WB-122     | Shoe Lever Hinge Pin          |
| W-8098    | Connecting Rod Pin             | WB-123     | Magnet Hinge Pin              |
| W-8131    | Magnet Hinge Pin               | WB-124     | Connecting Rod Pin            |
| W-8132    | Collar                         | WB-125     | Spring Rod Pin                |
| W-8133    | Cam Rail                       | WB-126     | Centering Spring              |
| W-8134    | Spring, 50% Of Std. Torque     | WB-132-A   | Shoe Adj. Wheel               |
| W-8157    | Retaining Plate                | WB-133     | Equalizing Screw              |
| WB-05     | Coil                           | WB-134     | Shoe Adjusting Screw          |
| WB-0501   | Magnet Hinge Pin Bushing       | WB-159     | Lining Rivet                  |
| WB-0502   | Armature Pin Bushing           | WB-161     | Bushing, Magnet Case          |
| WB-0503   | Magnet Hinge Bushing           | WB-162     | Bushing, Armature/Upper       |
| WB-0504   | Shoe Lever Hinge Pin Bushing   | WB-163     | Bushing, Armature-Frame/Upper |
| WB-0505   | Shoe Lever Hinge Pin Bushing   | WB-164     | Bushing, Frame/Upper          |
| WB-0506   | Magnet Hinge Pin Bushing       | WB-165     | Bushing, Shoe Lever           |
| WB-0507-A | Frame                          | WB-181     | Handle                        |
| WB-0510-A | Shoe Lever                     | WB-183-A   | Spring Rod , with Nuts        |
| WB-0512-A | Balance Lever                  | WB-185-A   | Shoe Lever With Spring Pin    |
| WB-0514-A | Armature                       | WB-186-A   | Balance Lever                 |
| WB-0516-A | Magnet Case                    | WB-187-A   | Armature                      |
| WB-0519-A | Spring Rod                     | WB-188-A   | Magnet Case                   |
| WB-0520   | Handle                         | WB-189-A   | Frame                         |
| WB-0521   | Spring Collar                  | WB-190-A   | Assembled Magnet              |
| WB-0522   | Brake Shoe, w/out Lining       | WB-19253-A | Coil                          |
| WB-0523   | Brake Lining                   | WB-204     | Brake Shoe                    |
| WB-0524-A | Assembled Shoe, w/ Lining      | WB-205     | Shoe Lever                    |
| WB-0525   | Retaining Plate                | WB-2061    | Spring Collar                 |
| WB-0528   | Dust Shield                    | WB-206-A   | Connecting Rod                |
| WB-0529   | Connecting Rod                 | WB-209     | Retaining Plate, Brass        |
| WB-0530   | Brake Wheel 7" Diameter        | WB-210-A   | Assembled Shoe                |
| WB-0533   | Armature Pin                   | WB-2125-A  | Coil                          |
| WB-0534   | Shoe Lever Hinge Pin           | WB-2127-A  | Coil                          |
| WB-0535   | Magnet Hinge Pin               | WB-2128-A  | Coil                          |
| WB-0536   | Connection Rod Pin             | WB-2129-A  | Brake Coil                    |
| WB-0537   | Spring Rod Pin                 | WB-212-A   | Spring Rod w/nuts             |
| WB-0538   | Spring                         | WB-215     | Dust Shield, Steel            |
| WB-0539   | Centering Spring Pin           | WB-216     | Brake Spring                  |
| WB-0540   | Centering Spring               | WB-2163    | Dust Shield                   |
| WB-0541   | Lead Block                     | WB-218     | Brake Lining                  |
| WB-0542   | Shoe Adjusting Screw           | WB-2186-A  | Frame                         |
| WB-0543   | Shoe Adjusting Screw           | WB-2188-A  | Armature                      |
| WB-0544   | Amateur Pin Bushing            | WB-219     | Centering Spring Pin          |
| WB-0545   | Shoe Pin                       | WB-2192-A  | Magnet Case                   |
| WB-0546   | Shoe Pin                       | WB-22      | Shunt Coil                    |
| WB-0548   | Equalizing Screw               | WB-220     | Shoe Pin                      |
| WB-0549-A | Assembled Magnet, w/ Coil      | WB-2200-A  | Assembled Shoe, Complete      |
| WB-0550   | Rivet                          | WB-2204-A  | Shoe Lever                    |
| WB-0568-A | Coil                           | WB-221     | Armature Pin                  |
| WB-103    | Bushing                        | WB-2213    | Shoe Pin                      |
| WB-104    | Brake Shoe                     | WB-2215    | Shoe Adjusting Screw          |
| WB-105    | Shoe Lever (Armature End)      | WB-2217-A  | Connecting Rod                |
| WB-106    | Connecting Rod                 | WB-222     | Shoe Lever Hinge Pin          |
| WB-1080   | F.H. Screw                     | WB-2223    | Magnet Hinge Pin              |
| WB-109    | Retaining Plate, Brass         | WB-2229    | Spring                        |
| WB-110-A  | Assembled Shoe                 | WB-223     | Magnet Hinge Pin              |
| WB-1127-A | Coil                           | WB-2234-A  | Spring Rod                    |
| WB-1129-A | Coil                           | WB-2239    | Spring Retainer               |
| WB-1132-A | Coil, 5-8 HP                   | WB-224     | Connecting Rod Pin            |
| WB-1133-A | Coil                           | WB-2242    | Terminal Bushing              |
| WB-114    | Spring Collar                  | WB-2243    | Equalizing Screw              |
| WB-1147-A | Shunt Coil, 230 VDC 8 Hr. Duty | WB-2249    | Spring Collar                 |
| WB-116    | Brake Spring                   | WB-225     | Spring Rod Pin                |
| WB-1163   | Dust Shield                    | WB-2250    | Retaining Plate               |
| WB-118    | Brake Lining                   | WB-2259    | Dust Shield                   |

| OEM PART  | DESCRIPTION                  | OEM PART  | DESCRIPTION                   |
|-----------|------------------------------|-----------|-------------------------------|
| WB-226    | Centering Spring             | WB-3213   | Shoe Pin                      |
| WB-228    | Steel Handle                 | WB-3214   | Shoe Pin                      |
| WB-2280-A | Series Coil                  | WB-3215   | Shoe Adjusting Screw          |
| WB-2281-A | Series Coil                  | WB-3217-A | Connecting Rod                |
| WB-2283-A | Coil                         | WB-322    | Shoe Lever Hinge Pin          |
| WB-229    | Terminal Bushing             | WB-3220   | Spacer                        |
| WB-2312-A | Assembled Magnet             | WB-3223   | Magnet Hinge Pin              |
| WB-2317-A | Brake Shoe                   | WB-3227   | Washer                        |
| WB-23232  | Pin                          | WB-3228   | Washer                        |
| WB-23233  | Retainer                     | WB-323    | Shoe Lever Hinge Pin          |
| WB-2329   | Operating Spring             | WB-3232   | Shoe Lever Pin                |
| WB-232-A  | Shoe Adjusting Wheel w/screw | WB-324    | Connecting Rod Pin            |
| WB-233    | Magnet Adjusting Screw       | WB-325    | Spring Rod Pin                |
| WB-2330   | Centering Spring             | WB-326    | Centering Spring              |
| WB-2333   | Guide Screw                  | WB-329    | Terminal Guard                |
| WB-234    | Magnet Adjusting Screw       | WB-3312-A | Assembled Magnet              |
| WB-2340   | Brake Lining                 | WB-3317-A | Brake Shoe                    |
| WB-2342   | Connecting Rod Pin           | WB-332-A  | Shoe Adjusting Wheel w/ Screw |
| WB-2343   | Shoe Lever Pin               | WB-333    | Special Cap Screw             |
| WB-235    | Equalizing Screw             | WB-334    | Equalizing Screw              |
| WB-238    | Shoe Adjusting Screw         | WB-345    | Armature Pin                  |
| WB-259    | Lining Rivet                 | WB-355    | Shoe Adjusting Screw          |
| WB-261    | Bushing, Magnet Case         | WB-359    | Lining Rivet                  |
| WB-262    | Bushing, Armature            | WB-361    | Bushing                       |
| WB-263    | Bushing, Armature/Lower      | WB-362    | Bushing, Armature             |
| WB-264    | Bushing, Frame/Upper         | WB-363    | Bushing, Armature/Lower       |
| WB-265    | Bushing, Shoe Lever          | WB-364    | Bushing, Frame                |
| WB-267    | Bushing, Balance Lever       | WB-365    | Bushing, Shoe Lever           |
| WB-281    | Handle                       | WB-366    | Rivet                         |
| WB-283-A  | Spring Rod with Nuts         | WB-381    | Handle                        |
| WB-285-A  | Shoe Lever                   | WB-383-A  | Spring Rod with Nuts          |
| WB-286-A  | Balance Lever                | WB-385-A  | Shoe Lever With Spring Pin    |
| WB-287-A  | Armature                     | WB-387-A  | Armature                      |
| WB-288-A  | Magnet Case                  | WB-389-A  | Frame                         |
| WB-289-A  | Frame                        | WB-40     | EC&M 23" Type WB-40 Brake     |
| WB-290-A  | Assembled Magnet             | WB-40     | Coil, 100 HP 4 Lead           |
| WB-303    | Terminal Bushing             | WB-405    | Shoe Lever                    |
| WB-305    | Shoe Lever                   | WB-408    | Balance Lever                 |
| WB-306    | Connecting Rod               | WB-409    | Retaining Plate, Brass        |
| WB-308    | Balance Lever                | WB-4128-A | Series Coil                   |
| WB-309    | Retaining Plate, Brass       | WB-4131-A | Coil                          |
| WB-3125-A | Coil                         | WB-4132-A | Coil, Series Wound 100-HP     |
| WB-3126-A | Series Coil                  | WB-4136-A | Series Coil                   |
| WB-3127-A | Coil, 50-65 HP               | WB-414    | Spring Collar                 |
| WB-3128-A | Coil, 40-55 HP               | WB-4146-A | Coil                          |
| WB-3129-A | Coil 30-45 HP                | WB-416    | Brake Spring                  |
| WB-314    | Spring Collar                | WB-4163   | Dust Shield                   |
| WB-3144-A | Coil                         | WB-4174-A | Magnet Case                   |
| WB-315    | Dust Shield                  | WB-418    | Brake Lining                  |
| WB-316    | Operating Spring             | WB-4183   | Retaining Plate               |
| WB-3163   | Dust Shield                  | WB-4184-A | Assembled Magnet              |
| WB-3174-A | Magnet Case                  | WB-4186-A | Frame Complete                |
| WB-318    | Brake Lining                 | WB-419    | Centering Spring Pin          |
| WB-3183   | Retaining Plate              | WB-4190-A | Armature Complete             |
| WB-3183   | Retaining Plate              | WB-4192-A | Magnet Case                   |
| WB-3184-A | Assembled Magnet             | WB-420    | Shoe Pin                      |
| WB-3186-A | Frame Complete               | WB-4200-A | Assembled Shoe, Complete      |
| WB-319    | Spring Pin                   | WB-4202-A | Balance Lever                 |
| WB-3190-A | Armature Complete            | WB-4204-A | Shoe Lever With Spring Pin    |
| WB-3192-A | Magnet Case                  | WB-421    | Armature Pin                  |
| WB-31XX   | Coil, 50 HP                  | WB-4213   | Shoe Pin                      |
| WB-320    | Shoe Pin                     | WB-4215   | Shoe Adjusting Screw          |
| WB-3200-A | Assembled Shoe, Complete     | WB-4217-A | Connecting Rod                |
| WB-3202-A | Balance Lever                | WB-422    | Shoe Lever Hinge Pin          |
| WB-3204-A | Shoe Lever with Hinge Pin    | WB-4222   | Armature Pin                  |
| WB-321    | Armature Pin                 | WB-4223   | Magnet Hinge Pin              |

This document utilizes an interactive table of contents to help you jump from one section to another. Click the button to return to the table of contents.

**RETURN TO  
TABLE OF CONTENTS**

*BRAKES*

*CONTACTORS*

*SAFETY LIMIT STOPS*

*MISCELLANEOUS*

*INDEX*

This document utilizes an interactive table of contents to help you jump from one section to another. Click the button to return to the table of contents.

**RETURN TO  
TABLE OF CONTENTS**

*BRAKES*

*CONTACTORS*

*SAFETY LIMIT STOPS*

*MISCELLANEOUS*

*INDEX*

| OEM PART  | DESCRIPTION                     | OEM PART  | DESCRIPTION                    |
|-----------|---------------------------------|-----------|--------------------------------|
| WB-4228   | Washer, for Shoe Lever Pin      | WB-5236-A | Spring Rod Nut                 |
| WB-423    | Magnet Hinge Pin                | WB-5239   | Spring Retainer                |
| WB-4234-A | Spring Rod                      | WB-523-G  | WB-523 Pin with Grease Fitting |
| WB-4236-A | Spring Rod Nut                  | WB-524    | Connecting Rod Pin             |
| WB-4239   | Spring Retainer                 | WB-5240   | Shoe Lever Pin                 |
| WB-424    | Connecting Rod Pin              | WB-5243   | Equalizing Screw               |
| WB-4240   | Shoe Lever Pin                  | WB-5244   | Shoe Adjusting Screw           |
| WB-4243   | Equalizing Screw                | WB-524-G  | WB-524 Pin with Grease Fitting |
| WB-4244   | Shoe Adjusting Screw            | WB-525    | Spring Rod Pin                 |
| WB-425    | Spring Rod Pin                  | WB-526    | Centering Spring               |
| WB-426    | Centering Spring                | WB-529    | Terminal Guard                 |
| WB-4312-A | Assembled Magnet Complete       | WB-5312-A | Assembled Magnet, Complete     |
| WB-4317-A | Brake Shoe                      | WB-5317-A | Brake Shoe                     |
| WB-432-A  | Shoe Adjusting Wheel w/screw    | WB-532-A  | Shoe Adjusting Wheel w/screw   |
| WB-433    | Special Cap Screw               | WB-533    | Magnet Adjusting Screw         |
| WB-434    | Special Cap Screw               | WB-536    | Operating Spring (Small)       |
| WB-435    | Special Cap Screw               | WB-556    | Shoe Pin Bearing               |
| WB-436    | Operating Spring                | WB-559    | Lining Rivet                   |
| WB-455    | Magnet Adjusting Screw          | WB-561    | Magnet Case Bushing            |
| WB-461    | Bushing, Magnet Case            | WB-562    | Bushing, Armature/Lower        |
| WB-462    | Bushing, Shoe Lever             | WB-563    | Bushing, Shoe Lever            |
| WB-463    | Bushing, Armature               | WB-564    | Bushing, Shoe Lever            |
| WB-464    | Bushing, Armature/Lower         | WB-581    | Handle                         |
| WB-466    | Bushing, Frame, Lower Inner     | WB-583-A  | Spring Rod with Nuts           |
| WB-481    | Handle                          | WB-585-A  | Shoe Lever With Spring Pin     |
| WB-483-A  | Spring Rod, with Nuts           | WB-587-A  | Armature                       |
| WB-487-A  | Armature                        | WB-589-A  | Frame                          |
| WB-489-A  | Frame                           | WB-6012   | Spring Rod Nut                 |
| WB-5029   | Special Cap Screw               | WB-603    | Terminal Bushing               |
| WB-503    | Terminal Bushing                | WB-6061   | Spring Retainer                |
| WB-505    | Shoe Lever                      | WB-6069-A | Brake Shoe Only                |
| WB-506    | Connecting Rod                  | WB-6070-A | Connecting Rod                 |
| WB-508    | Balance Lever                   | WB-610-A  | Assembled Shoe W/Lining        |
| WB-509    | Retaining Plate, Brass          | WB-6112-A | Armature W/Dust Shield         |
| WB-5128-A | Coil, 150-200 HP                | WB-6114   | Shoe Adjusting Screw           |
| WB-5129-A | Series Coil                     | WB-6115   | Special Nut                    |
| WB-514    | Spring Collar                   | WB-6125-A | Coil                           |
| WB-5140-A | Coil                            | WB-6128-A | Coil                           |
| WB-5141-A | Shunt Coil                      | WB-614    | Spring Retainer                |
| WB-5143-A | Shunt Coil                      | WB-615    | Dust Shield                    |
| WB-5147   | Coil                            | WB-6168   | Lead Block                     |
| WB-515    | Dust Shield                     | WB-6169   | Spl. Nut For Adj. Screw        |
| WB-516    | Operating Spring (Large)        | WB-6171   | Lead Block Stud                |
| WB-5174-A | Magnet Case                     | WB-6174-A | Magnet Case                    |
| WB-518    | Brake Lining                    | WB-6179   | Operating Spring               |
| WB-5183   | Retaining Plate, Steel          | WB-618    | Brake Lining                   |
| WB-5184-A | Assembled Magnet                | WB-6183   | Retaining Plate                |
| WB-5186-A | Frame, Complete                 | WB-620    | Shoe Pin                       |
| WB-519    | Centering Spring Pin            | WB-622    | Shoe Lever Hinge Pin           |
| WB-5190-A | Armature                        | WB-623    | Magnet Hinge Pin               |
| WB-5192-A | Magnet Case, Complete           | WB-624    | Connecting Rod Pin             |
| WB-520    | Shoe Pin                        | WB-625    | Spring Rod Pin                 |
| WB-5200-A | Assembled Shoe, Complete        | WB-626    | Centering Spring               |
| WB-5202-A | Shoe Lever                      | WB-627    | Washer                         |
| WB-5204-A | Shoe Lever                      | WB-628    | Washer                         |
| WB-520-G  | WB-520 Pin with Grease Fitting  | WB-629    | Washer                         |
| WB-521    | Armature Pin                    | WB-630    | Thrust Washer                  |
| WB-5213   | Shoe Pin                        | WB-633    | Magnet Adjusting Screw         |
| WB-5217-A | Connecting Rod                  | WB-634    | Shoe Adjusting Screw           |
| WB-521-G  | WB-521 Pin with Grease Fittings | WB-636    | Operating Spring, Inner        |
| WB-522    | Shoe Lever Hinge Pin            | WB-659    | Rivet                          |
| WB-5222   | Armature Pin                    | WB-683-A  | Spring Rod W/Nuts              |
| WB-5223   | Magnet Hinge Pin                | WB-685-A  | Shoe Lever                     |
| WB-522-G  | WB-522 Pin with Grease Fittings | WB-686-A  | Shoe Lever                     |
| WB-523    | Magnet Hinge Pin                | WB-689-A  | Frame                          |
| WB-5234-A | Spring Rod                      | WT-38-A   | Coil                           |



| OEM PART | DESCRIPTION                    | OEM PART | DESCRIPTION                    |
|----------|--------------------------------|----------|--------------------------------|
| WT-42-A  | Coil                           | X-2120-A | Locking Arm, right side        |
| X-107-A  | Operating Arm                  | X-2125-A | Wire Rope                      |
| X-1102-A | Assembled Contact Beam         | X-2126-A | Suspended Weight Assembly      |
| X-1104-A | Assembled Arm Insulator        | X-2127-A | Hood Chain                     |
| X-1105-A | Blowout Coil & Contact Bracket | X-2128-A | Weight Arm                     |
| X-1107-A | Assembled Arc Barrier          | X-2129-A | Weight                         |
| X-1115-A | Operating Arm                  | X-2138   | Auxiliary Arm Bracket          |
| X-1116   | Contact Arm                    | X-2139   | Auxiliary Arm                  |
| X-1118   | Guard                          | X-2140   | Clamp                          |
| X-112    | Spring                         | X-2141   | Clamp                          |
| X-1120-A | Leads                          | X-2142   | Contact Bracket                |
| X-1121-A | Leads                          | X-2145   | Terminal Bracket               |
| X-1124   | Bushing                        | X-2150   | Shaft                          |
| X-1126-A | Assembled Suspended Weight     | X-2156   | Blowout Core                   |
| X-1128-A | Weight Arm                     | X-2159   | Clamp                          |
| X-1150   | Contact Beam                   | X-2163   | Grommet                        |
| X-1156   | Blowout Core                   | X-2164   | Grommet                        |
| X-1158   | Blowout Ear                    | X-2167   | Rope Guide                     |
| X-1163   | Arc Shield                     | X-2169   | Washer, for Roller             |
| X-118    | Board                          | X-2170   | Washer, for Locking Arm        |
| X-1185   | Spacer                         | X-2172   | Brass Thrust Washer            |
| X-119    | Terminal Board                 | X-2173   | Washer, for Locking Arm Roller |
| X-1218   | Blowout Core                   | X-2175   | Roller, for Locking Arm        |
| X-1249   | Jumper                         | X-2177   | Pin                            |
| X-125    | Cable Arm                      | X-2179   | Pin                            |
| X-127    | Insulator                      | X-2180   | Auxiliary Arm Pin              |
| X-128    | Insulator Clamp                | X-2184   | Insulating Washer              |
| X-1316   | Cap Washer                     | X-2185   | Spacer                         |
| X-1318-A | Cover                          | X-2186   | Insulating Bushing             |
| X-1326   | Contact Arm                    | X-2187   | Operating Spring               |
| X-1327   | Grommet                        | X-2188   | Contact Spring                 |
| X-1330   | Washer                         | X-2194   | Key                            |
| X-1334   | Special Cap Screw              | X-2198   | Special Cap Screw              |
| X-134-A  | Connector                      | X-2199   | Key                            |
| X-143    | Arm Insulator                  | X-2200   | Cap                            |
| X-153-A  | Assembled Cam                  | X-2220-A | Bearing Housing                |
| X-154    | Roller Arm                     | X-2221   | Special Cap Screw              |
| X-156    | Contact Arm Shaft              | X-2222   | Special Cap Screw              |
| X-157    | Base                           | X-2224   | Brass Thrust Washer            |
| X-158    | Spring Seat                    | X-2228-A | Shaft Insulator                |
| X-160    | Roller                         | X-2229-A | Shaft Insulator                |
| X-161    | Roller Arm Pin                 | X-2243   | Shaft                          |
| X-162    | Roller Pin                     | X-2257-A | Shaft Insulator                |
| X-164    | Roller Arm Spring              | X-2261   | Key                            |
| X-165-A  | Contact Arm Complete           | X-2262-A | Stationary Contact Shaft       |
| X-16C    | Roller                         | X-2263-A | Stationary Contact Shaft       |
| X-174    | Contact Spring                 | X-2265   | Terminal Bracket               |
| X-178-A  | Coil                           | X-2266   | Terminal Bracket               |
| X-179    | Terminal Board                 | X-2276   | Spring                         |
| X-2052   | Sash Chain                     | X-2277   | Tube                           |
| X-2099   | Spacers                        | X-2278   | Tube Support                   |
| X-2102-A | Stationary Contact Shaft       | X-2280-A | Spring Retainer                |
| X-2103-A | Stationary Contact Shaft       | X-2281-A | Spring Seat                    |
| X-2104-A | Movable Contact Assembly       | X-2289-A | Roller with Seals              |
| X-2105-A | Blowout Coil & Contact Bracket | X-2313-A | Arm                            |
| X-2106-A | Blowout Coil & Contact Bracket | X-2314-A | Rocker Arm Assembly            |
| X-2107-A | Arc Barrier only               | X-2315   | Bearing Housing                |
| X-2108-A | Assembled Arc Barrier          | X-2316   | Bearing Housing                |
| X-2109-A | Connector                      | X-2317   | Spacer                         |
| X-2110-A | Lead                           | X-2318   | Washer                         |
| X-2111-A | Hood                           | X-2319   | Cap Screw                      |
| X-2115-A | Operating Arm                  | X-2324   | Cap                            |
| X-2116-A | Rocker Arm                     | X-2329-A | Weight Arm                     |
| X-2117-A | Trip Lever Left Side           | X-2331-A | Weight Arm                     |
| X-2118-A | Trip Lever                     | X-2332   | Washer                         |
| X-2119-A | Locking Arm, left side         | X-2334   | Washer                         |

This document utilizes an interactive table of contents to help you jump from one section to another. Click the button to return to the table of contents.

**RETURN TO  
TABLE OF CONTENTS**

*BRAKES*

*CONTACTORS*

*SAFETY LIMIT STOPS*

*MISCELLANEOUS*

*INDEX*

This document utilizes an interactive table of contents to help you jump from one section to another. Click the button to return to the table of contents.

**RETURN TO  
TABLE OF CONTENTS**

*BRAKES*

*CONTACTORS*

*SAFETY LIMIT STOPS*

*MISCELLANEOUS*

*INDEX*

| OEM PART | DESCRIPTION                        | OEM PART   | DESCRIPTION                 |
|----------|------------------------------------|------------|-----------------------------|
| X-2337   | Shim                               | ZF-10-A    | Coil                        |
| X-2341-A | Operating Arm Complete             | ZF-38      | Spring                      |
| X-2342-A | Rocker Arm Assembly                | ZF-425     | Bearing                     |
| X-2343   | Bearing Housing                    | ZF-91-A    | Board                       |
| X-2349-A | Weight Arm                         | ZGR24      | Copper Bracket              |
| X-2351-A | Weight Arm                         | ZHA-2037-A | Coil, 230 Volt 60 Hz.       |
| X-3102-A | Stationary Contact Shaft           | ZHA-2143   | Non-Magnetic Spacer         |
| X-3103-A | Stationary Contact Shaft           | ZM-102     | Connector                   |
| X-3104-A | Movable Contact Assembly           | ZM-105     | Spring                      |
| X-3105-A | Blowout Coil & Contact Bracket DC  | ZM-111     | Contact Stud                |
| X-3106-A | Blowout Coil & Contact Bracket DC  | ZM-266-A   | B/O Coil                    |
| X-3107-A | Arc Barrier Only                   | ZM-271-A   | Coil                        |
| X-3108-A | Assembled Arc Barrier              | ZM-58      | Frame                       |
| X-3109-A | Connector                          | ZM-61      | Stop Stud                   |
| X-3110-A | Lead                               | ZM-62      | Arm Stud                    |
| X-3111-A | Cover                              | ZM-68      | Contact Arm                 |
| X-3116-A | Rocker Arm                         | ZM-98      | Blade Support               |
| X-3126-A | Suspended Weight Assembly          | ZO-0326    | Terminal Block              |
| X-3128-A | Weight Arm                         | ZO-1121    | Cup Washer                  |
| X-3129-A | Weight                             | ZO-1150    | Cup Washer                  |
| X-3138   | Auxiliary Arm Bracket              | ZO-1247    | Spring                      |
| X-3139   | Auxiliary Arm                      | ZO-1262    | Cup Washer                  |
| X-3140   | Clamp                              | ZO-2098    | Cup Washer                  |
| X-3141   | Clamp                              | ZO-59      | Latch for Cover             |
| X-3145   | Terminal Bracket                   | ZO-64      | Spring                      |
| X-3150   | Stationary Contact Shaft           | ZP-118     | Dash Pot Spring             |
| X-3156   | Blowout Core                       | ZP-119     | Piston                      |
| X-3164   | Grommet                            | ZP-123-A   | Cylinder                    |
| X-3180   | Auxiliary Arm Pin                  | ZP-124     | Bolt & Locking Nut          |
| X-3183   | Blowout Core Insulator             | ZP-125     | Spring Lock Ring            |
| X-3185   | Spacer                             | ZP-126     | Dash Pot Adjuster           |
| X-3186   | Insulating Bushing                 | ZP-127     | Adj. Lock Ring              |
| X-3187   | Operating Spring                   | ZP-128     | Dash Pot Holder             |
| X-3188   | Contact Spring                     | ZP-129     | Sleeve Support              |
| X-3208-A | Blowout Coil & Contact Bracket     | ZP-130     | Plunger Sleeve              |
| X-3209-A | Blowout Coil & Contact Bracket     | ZP-132-A   | Plunger                     |
| X-3225-A | Hood                               | ZP-133     | Adjusting Plug              |
| X-3228-A | Shaft Insulator                    | ZP-160     | Calibration Plate           |
| X-3229-A | Shaft Insulator                    | ZS-0271-A  | Armature                    |
| X-3232   | Washer                             | ZS-0272-A  | Core                        |
| X-3234-A | Lead                               | ZS-0286    | Spring                      |
| X-3243   | Shaft                              | ZS-0295    | Spring                      |
| X-3253-A | Weight                             | ZS-0324-A  | Terminal Block              |
| X-3254-A | Suspended Weight Assembly          | ZS-0349    | Guide                       |
| X-3257-A | Shaft Insulator                    | ZS-0399    | Spring Guide                |
| X-3258-A | Shaft Insulator                    | ZS-1147    | Auxiliary Arm Bracket       |
| X-3277   | Operating Spring                   | ZS-1148-A  | Aux. Arm Bracket, w/Bushing |
| X-3311-A | Frame Assembly                     | ZS-1149    | Aux. Arm Bracket Bushing    |
| X-3313-A | Rocker Arm Assembly                | ZS-1153    | Aux. Contact Arm            |
| X-3316-A | Weight Arm                         | ZS-1159    | Aux. Arm Pin                |
| X-3318-A | Weight Arm, for Horiz. Reset.      | ZS-132     | Contact Bracket             |
| X-3326-A | Frame, Duplex                      | ZS-133     | Auxiliary Contact Arm       |
| X-3328-A | Operating Arm                      | ZS-134     | Aux Contact Arm             |
| X-3329-A | Rocker Arm Assembly                | ZSO-240-A  | Coil                        |
| X-3330   | Bearing Housing                    | ZSX-20-A   | Coil                        |
| X-3332   | Cap Washer                         | ZS-X32     | Spring                      |
| X-3336-A | Duplex Weight Arm                  | ZSX-32     | Spring                      |
| X-3338-A | Duplex Weight Arm Horizontal Reset |            |                             |
| X-3339   | Washer                             |            |                             |
| X-3340   | Spacer                             |            |                             |
| X-3354   | Shim                               |            |                             |
| Z250295  | Bracket                            |            |                             |
| ZC-1044  | Cotter for Core Pin                |            |                             |
| ZCX-31   | Clamp                              |            |                             |
| ZCX-60   | Contact Tip                        |            |                             |
| ZCX-60-S | Contact Tip, Silver-faced          |            |                             |

## REPLACEMENT PARTS CATALOG

### TABLE OF CONTENTS

#### **DI BRAKES**

|                                    |   |
|------------------------------------|---|
| TYPE DI 062-F MAGNETIC BRAKE ..... | 3 |
| TYPE DI 104-F MAGNETIC BRAKE ..... | 4 |
| TYPE DI 135-F MAGNETIC BRAKE ..... | 5 |
| TYPE DI 167-F MAGNETIC BRAKE ..... | 6 |
| TYPE DI 198-F MAGNETIC BRAKE ..... | 7 |
| TYPE DI 239-F MAGNETIC BRAKE ..... | 8 |

#### **TM BRAKES**

|  |    |
|--|----|
| TYPE TM-83 MAGNETIC SHOE BRAKE .....   | 9  |
| TYPE TM-1035 MAGNETIC SHOE BRAKE ..... | 10 |
| TYPE TM-1355 MAGNETIC SHOE BRAKE ..... | 11 |
| TYPE TM-1665 MAGNETIC SHOE BRAKE ..... | 12 |
| TYPE TM-1985 MAGNETIC SHOE BRAKE ..... | 13 |
| TYPE TM-2311 MAGNETIC SHOE BRAKE ..... | 14 |
| TYPE TM-3014 MAGNETIC SHOE BRAKE ..... | 15 |

#### **CONTACTORS**

|  |    |
|--|----|
| TYPE M FRAME 301 DC MAGNETIC CONTACTOR ..... | 16 |
| TYPE M FRAME 401 DC MAGNETIC CONTACTOR ..... | 17 |
| TYPE M FRAME 501 DC MAGNETIC CONTACTOR ..... | 18 |
| TYPE M FRAME 601 DC MAGNETIC CONTACTOR ..... | 19 |
| TYPE M FRAME 701 DC MAGNETIC CONTACTOR ..... | 20 |
| TYPE MD FRAME 301 DC MAGNETIC CONTACTOR..... | 21 |
| TYPE MD FRAME 401 DC MAGNETIC CONTACTOR..... | 22 |
| TYPE MD FRAME 501 DC MAGNETIC CONTACTOR..... | 23 |
| TYPE MD FRAME 601 DC MAGNETIC CONTACTOR..... | 24 |
| TYPE MD FRAME 701 DC MAGNETIC CONTACTOR..... | 25 |

|                    |       |
|--------------------|-------|
| <b>INDEX</b> ..... | 26-46 |
|--------------------|-------|

This document utilizes an interactive table of contents to help you jump from one section to another. Click the button to return to the table of contents.

---

**RETURN TO  
TABLE OF CONTENTS**

*DI BRAKES*

*TM BRAKES*

*CONTACTORS*

*INDEX*

This document utilizes an interactive table of contents to help you jump from one section to another. Click the button to return to the table of contents.

**RETURN TO  
TABLE OF CONTENTS**

*DI BRAKES*

*TM BRAKES*

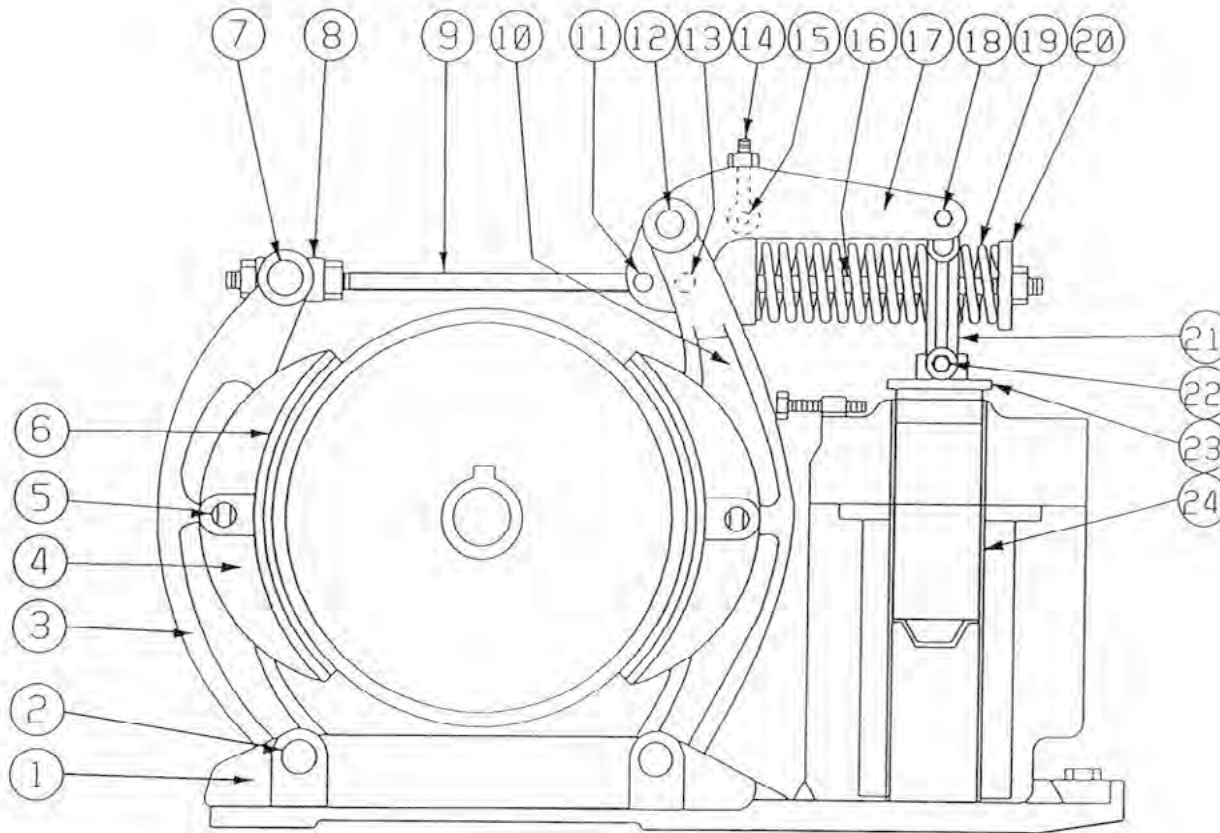
*CONTACTORS*

*INDEX*



This document utilizes an interactive table of contents to help you jump from one section to another. Click the button to return to the table of contents.

**RETURN TO TABLE OF CONTENTS**



**DI BRAKES**

- TYPE DI 062--F MAGNETIC BRAKE
- TYPE DI 104--F MAGNETIC BRAKE
- TYPE DI 135--F MAGNETIC BRAKE
- TYPE DI 167--F MAGNETIC BRAKE
- TYPE DI 198--F MAGNETIC BRAKE
- TYPE DI 239--F MAGNETIC BRAKE

**TM BRAKES**

**CONTACTORS**

**INDEX**

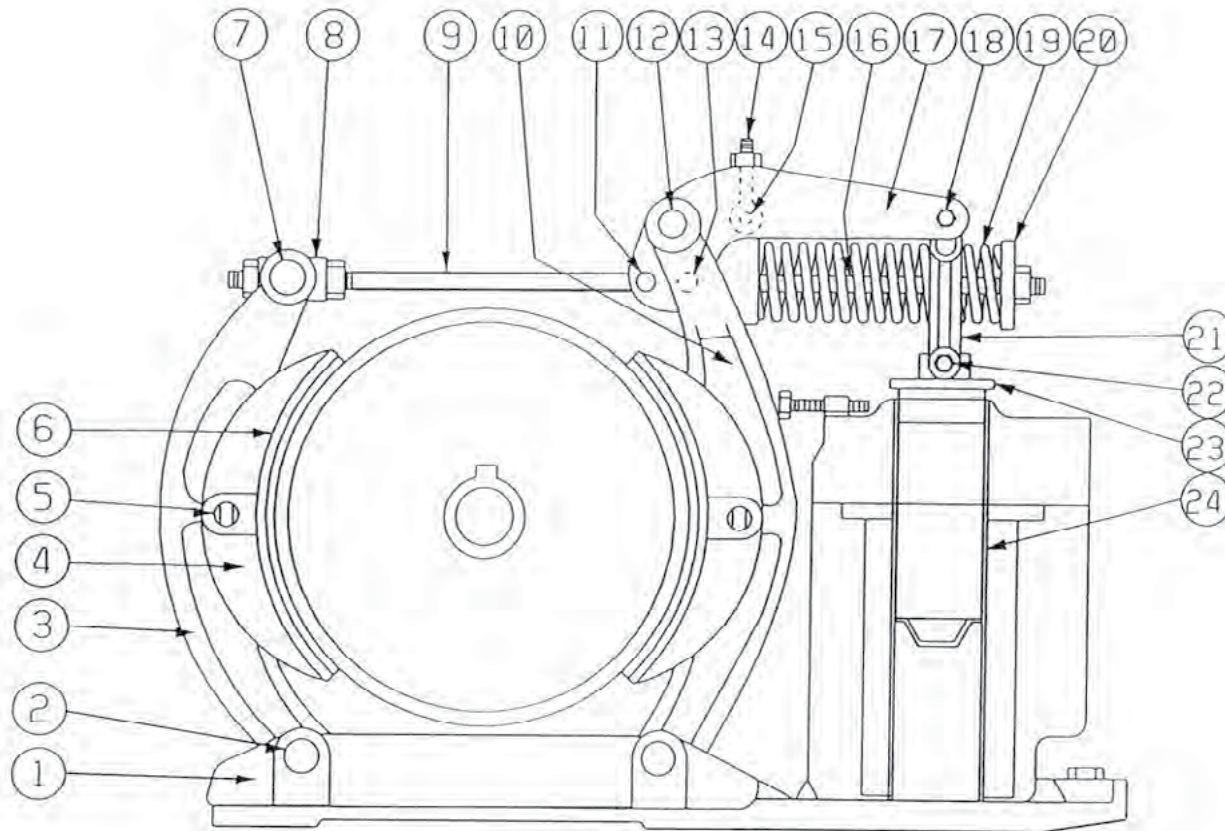
**TYPE DI 062-F MAGNETIC BRAKE**

| ITM     | OEM PART     | DESCRIPTION           | ITM     | OEM PART     | DESCRIPTION             |
|---------|--------------|-----------------------|---------|--------------|-------------------------|
| 1.....  | 1496814..... | Base                  | 16..... | 573573.....  | Spring Rod              |
| 2.....  | 1312725..... | Brake Arm Pin-Lower   | 17..... | 1397939..... | Brake Lever             |
| 3.....  | 1397940..... | Brake Arm-Front       | 18..... | 1312728..... | Link Pin-Upper          |
| 4.....  | 573570.....  | Brake Shoe w/ Lining  | 19..... | 429733.....  | Spring                  |
| 5.....  | 578840.....  | Brake Shoe Pivot Bolt | 20..... | 492901.....  | Spring Seat             |
| 6.....  | 573571.....  | Lining                | 21..... | 531025.....  | Connecting Link         |
| 7.....  | 1289982..... | Brake Arm Pin-Upper   | 22..... | 1312729..... | Link Pin-Lower          |
| 8.....  | 578839.....  | Hinge-Block           | 23..... | 573574.....  | Plunger                 |
| 9.....  | 573566.....  | Connecting Rod        | 24..... | 573575.....  | Plunger Guide Bushing   |
| 10..... | 1397941..... | Brake Arm-Rear        | *       | 1216275..... | Rod Bushing             |
| 11..... | 1312727..... | Connecting Rod Pin    | *       | 1216271..... | Front Arm Bushing-Upper |
| 12..... | 1312724..... | Brake Lever Pivot Pin | *       | 1216274..... | Pivot Bushing           |
| 13..... | 487727.....  | Spring Rod Pin        | *       | 1216273..... | Rear Arm Bushing-Upper  |
| 14..... | 578841.....  | Hand Release Rod      | *       | 1216272..... | Arm Bushing-Lower       |
| 15..... | 1312726..... | Hand Release Rod Pin  | *       | 573576.....  | Air Gap Spacer          |

\* Not Pictured

This document utilizes an interactive table of contents to help you jump from one section to another. Click the button to return to the table of contents.

**RETURN TO  
TABLE OF CONTENTS**



**DI BRAKES**

- TYPE DI 062-F MAGNETIC BRAKE
- TYPE DI 104-F MAGNETIC BRAKE
- TYPE DI 135-F MAGNETIC BRAKE
- TYPE DI 167-F MAGNETIC BRAKE
- TYPE DI 198-F MAGNETIC BRAKE
- TYPE DI 239-F MAGNETIC BRAKE

**TM BRAKES**

**CONTACTORS**

**INDEX**

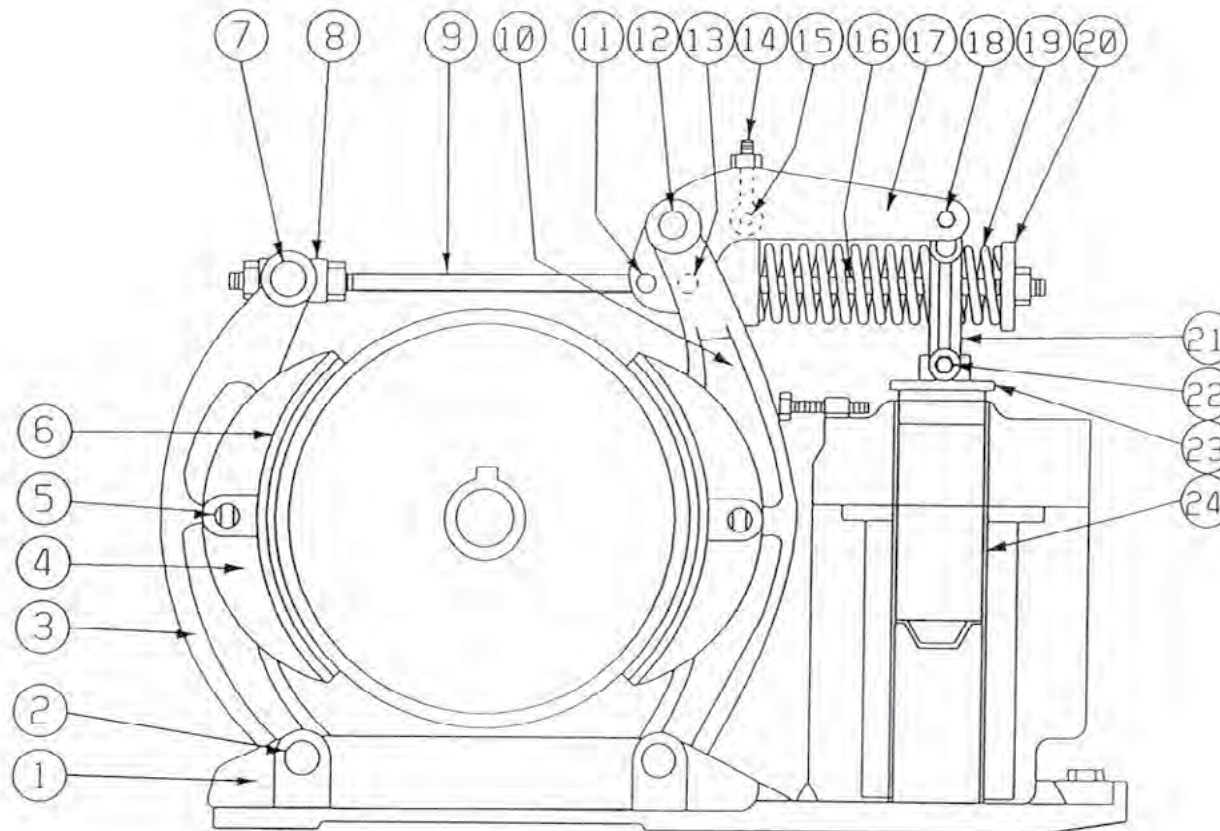
**TYPE DI 104-F MAGNETIC BRAKE**

| ITM     | OEM PART     | DESCRIPTION           | ITM     | OEM PART     | DESCRIPTION           |
|---------|--------------|-----------------------|---------|--------------|-----------------------|
| 1.....  | 1496813..... | Base                  | 18..... | 1303367..... | Link Pin, Upper       |
| 2.....  | 1303366..... | Brake Arm Pin, Lower  | 19..... | 429730.....  | Spring                |
| 3.....  | 1397945..... | Brake Arm, Front      | 20..... | 492907.....  | Spring Seat           |
| 4.....  | 492908.....  | Brake Shoe w/Lining   | 21..... | 550882.....  | Connecting Link       |
| 5.....  | 822258.....  | Brake Shoe Pivot Bolt | 22..... | 1303368..... | Link Pin, Lower       |
| 6.....  | 487566.....  | Lining                | 23..... | 575652.....  | Plunger               |
| 7.....  | 1303371..... | Brake Arm Pin, Upper  | 24..... | 518901.....  | Plunger Guide Bushing |
| 8.....  | 766192.....  | Hinge Block           | *       | 486339.....  | Operating Magnet      |
| 9.....  | 487642.....  | Connecting Rod        | *       | 486346.....  | Air Gap Spacer        |
| 10..... | 1397946..... | Brake Arm, Rear       | *       | 831523.....  | Operating Magnet      |
| 11..... | 1303365..... | Connecting Rod Pin    | *       | 1303359..... | Bushing, Upper        |
| 12..... | 1303366..... | Brake Lever Pivot Pin | *       | 1303360..... | Bushing, Lower        |
| 13..... | 1303369..... | Spring Rod Pin        | *       | 1303361..... | Bushing, Upper        |
| 14..... | 487657.....  | Hand Release Rod      | *       | 1303362..... | Pivot Bushing         |
| 15..... | 487663.....  | Hand Release Rod Pin  | *       | 1303363..... | Rod Bushing           |
| 16..... | 487655.....  | Spring Rod            | *       | 1303364..... | Bushing               |
| 17..... | 1397947..... | Brake Lever           | *       | 1312809..... | Bushing               |

\* Not Pictured

This document utilizes an interactive table of contents to help you jump from one section to another. Click the button to return to the table of contents.

**RETURN TO  
TABLE OF CONTENTS**



**DI BRAKES**

- TYPE DI 062--F MAGNETIC BRAKE
- TYPE DI 104--F MAGNETIC BRAKE
- TYPE DI 135--F MAGNETIC BRAKE
- TYPE DI 167--F MAGNETIC BRAKE
- TYPE DI 198--F MAGNETIC BRAKE
- TYPE DI 239--F MAGNETIC BRAKE

**TM BRAKES**

**CONTACTORS**

**INDEX**

**TYPE DI 135-F MAGNETIC BRAKE**

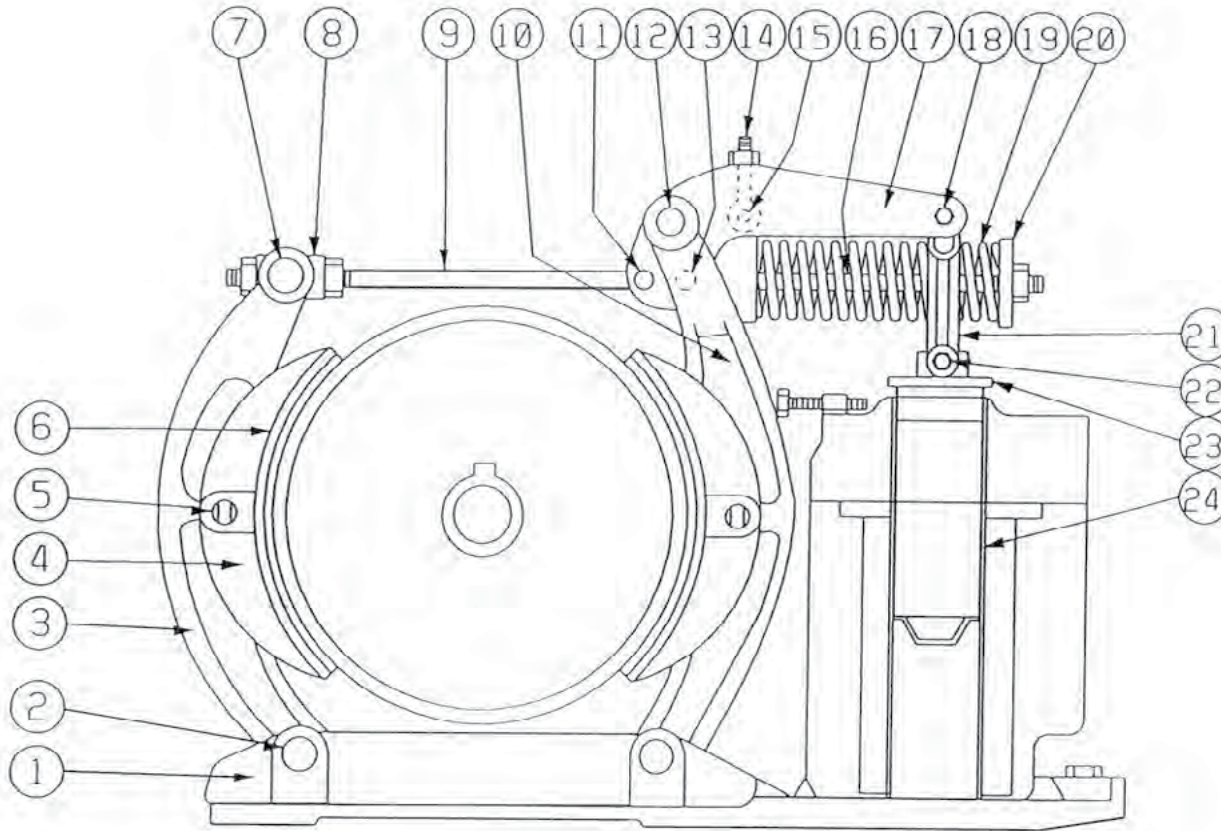
| ITM     | OEM PART     | DESCRIPTION           | ITM     | OEM PART     | DESCRIPTION                    |
|---------|--------------|-----------------------|---------|--------------|--------------------------------|
| 1.....  | 1496818..... | Base                  | 18..... | 1303454..... | Link Pin-Upper                 |
| 2.....  | 1303450..... | Brake Arm Pin-Lower   | 19..... | 486361.....  | Spring                         |
| 3.....  | 1397948..... | Brake Arm-Front       | 20..... | 492909.....  | Spring Seat                    |
| 4.....  | 490362.....  | Brake Shoe w/ Lining  | 21..... | 532049.....  | Connecting Link                |
| 5.....  | 514509.....  | Brake Shoe Pivot Bolt | 22..... | 1303455..... | Link Pin-Lower                 |
| 6.....  | 514510.....  | Lining                | 23..... | 575646.....  | Plunger                        |
| 7.....  | 1254392..... | Brake Arm Pin-Upper   | 24..... | 518904.....  | Plunger Guide Bushing          |
| 8.....  | 766652.....  | Hinge-Block           | *       | 1216263..... | Rod Bushing                    |
| 9.....  | 1197660..... | Connecting Rod        | *       | 1216264..... | Base Bushing                   |
| 10..... | 1397949..... | Brake Arm-Rear        | *       | 487546.....  | Air Gap Spacer                 |
| 11..... | 1303451..... | Connecting Rod Pin    | *       | 1216262..... | Pivot Bushing                  |
| 12..... | 1303449..... | Brake Lever Pivot Pin | *       | 1216261..... | Arm Bushing-Lower              |
| 13..... | 1303451..... | Spring Rod Pin        | *       | 486360.....  | Type DI-Opert. Mag. w/out Coil |
| 14..... | 487741.....  | Hand Release Rod      | *       | 1216259..... | Front Arm Bushing-Upper        |
| 15..... | 487663.....  | Hand Release Rod Pin  | *       | 1216260..... | Rear Arm Bushing-Upper         |
| 16..... | 1197661..... | Spring Rod            | *       | 13033.....   | Brake Lever Pivot Pin          |
| 17..... | 1397950..... | Brake Lever           |         |              |                                |

\* Not Pictured



This document utilizes an interactive table of contents to help you jump from one section to another. Click the button to return to the table of contents.

**RETURN TO  
TABLE OF CONTENTS**



**DI BRAKES**

- TYPE DI 062--F MAGNETIC BRAKE
- TYPE DI 104--F MAGNETIC BRAKE
- TYPE DI 135--F MAGNETIC BRAKE
- TYPE DI 167--F MAGNETIC BRAKE
- TYPE DI 198--F MAGNETIC BRAKE
- TYPE DI 239--F MAGNETIC BRAKE

**TM BRAKES**

**CONTACTORS**

**INDEX**

**TYPE DI 167-F MAGNETIC BRAKE**

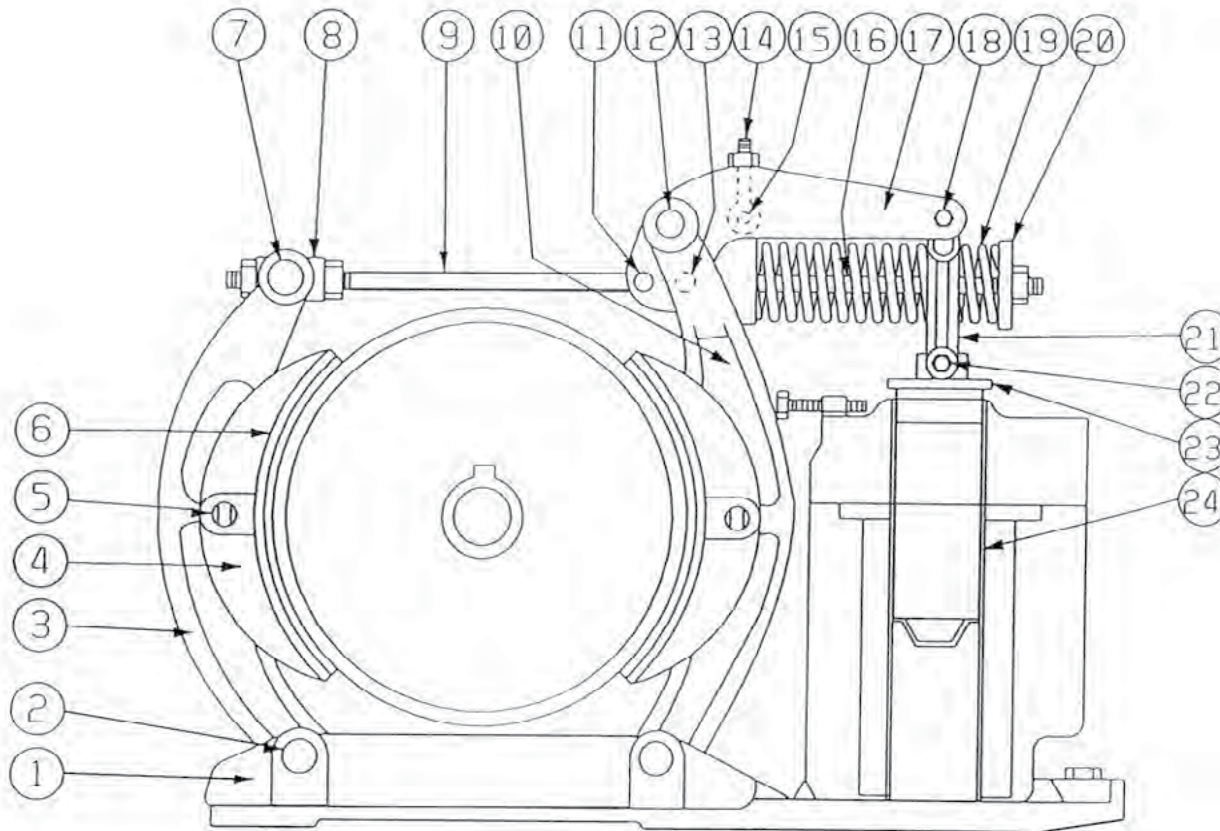
| ITM     | OEM PART     | DESCRIPTION            | ITM     | OEM PART     | DESCRIPTION                    |
|---------|--------------|------------------------|---------|--------------|--------------------------------|
| 1.....  | 1496819..... | Base                   | 18..... | 1303457..... | Link Pin-Upper                 |
| 2.....  | 1303452..... | Brake Lever Pivot Pin  | 19..... | 502833.....  | Spring                         |
| 3.....  | 1397960..... | Brake Arm-Front        | 20..... | 502844.....  | Spring Seat                    |
| 4.....  | 502832.....  | Brake Shoe with Lining | 21..... | 532213.....  | Connecting Link                |
| 5.....  | 502843.....  | Brake Shoe Pivot Bolt  | 22..... | 1303456..... | Link Pin-Lower                 |
| 6.....  | 487562.....  | Lining                 | 23..... | 884839.....  | Plunger                        |
| 7.....  | 1254393..... | Brake Arm Pin-Upper    | 24..... | 575654.....  | Plunger Guide Bushing          |
| 8.....  | 766658.....  | Hinge-Block            | *       | 1216268..... | Pivot Bushing                  |
| 9.....  | 1197662..... | Connecting Rod         | *       | 1216269..... | Rod Bushing                    |
| 10..... | 1397961..... | Brake Arm-Rear         | *       | 1216270..... | Rear Arm Bushing-Upper         |
| 11..... | 1303453..... | Connecting Rod Pin     | *       | 104213.....  | Brake Arm Adjusting Assembly   |
| 12..... | 1303452..... | Brake Arm Pin-Lower    | *       | 1216267..... | Arm Bushing-Lower              |
| 13..... | 1303453..... | Spring Rod Pin         | *       | 502847.....  | Air Gap Spacer                 |
| 14..... | 502836.....  | Hand Release Rod       | *       | 1216266..... | Front Arm Bushing-Upper        |
| 15..... | 502841.....  | Hand Release Rod Pin   | *       | 501539.....  | Type DI-Opert. Mag. w/out Coil |
| 16..... | 1197663..... | Spring Rod             | *       | 1216265..... | Base Bushing                   |
| 17..... | 1397962..... | Brake Lever            |         |              |                                |

\* Not Pictured



This document utilizes an interactive table of contents to help you jump from one section to another. Click the button to return to the table of contents.

**RETURN TO  
TABLE OF CONTENTS**



**DI BRAKES**

- TYPE DI 062--F MAGNETIC BRAKE
- TYPE DI 104--F MAGNETIC BRAKE
- TYPE DI 135--F MAGNETIC BRAKE
- TYPE DI 167--F MAGNETIC BRAKE
- TYPE DI 198--F MAGNETIC BRAKE
- TYPE DI 239--F MAGNETIC BRAKE

**TM BRAKES**

**CONTACTORS**

**INDEX**

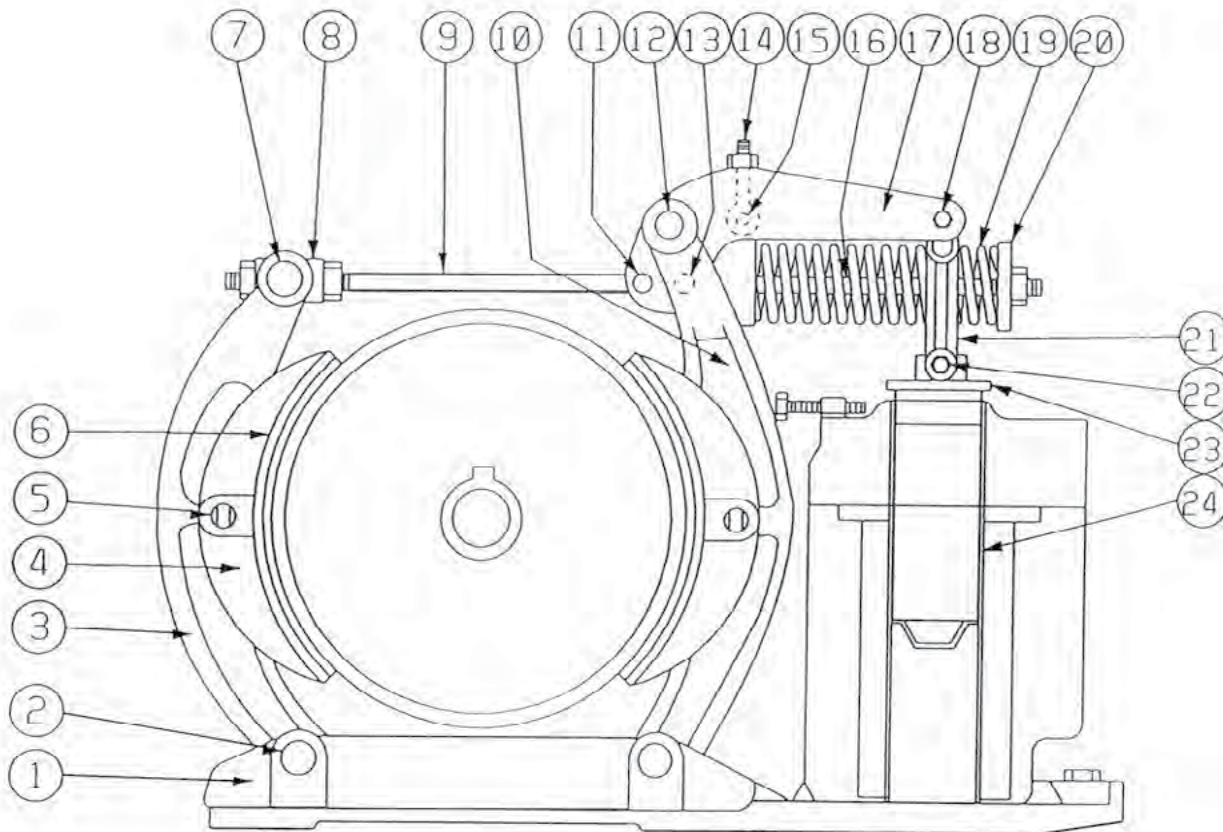
**TYPE DI 198-F MAGNETIC BRAKE**

| ITM     | OEM PART     | DESCRIPTION           | ITM     | OEM PART     | DESCRIPTION                    |
|---------|--------------|-----------------------|---------|--------------|--------------------------------|
| 1.....  | 1496364..... | Base                  | 18..... | 1439190..... | Link Pin-Upper                 |
| 2.....  | 1450523..... | Brake Arm Pin-Lower   | 19..... | 502849.....  | Spring                         |
| 3.....  | 1397951..... | Brake Arm-Front       | 20..... | 502861.....  | Spring Seat                    |
| 4.....  | 502848.....  | Brake Shoe w/ Lining  | 21..... | 529768.....  | Connecting Link                |
| 5.....  | 502860.....  | Brake Shoe Pivot Bolt | 22..... | 1439191..... | Link Pin-Lower                 |
| 6.....  | 487563.....  | Lining                | 23..... | 575655.....  | Plunger                        |
| 7.....  | 1450522..... | Brake Arm Pin-Upper   | 24..... | 575656.....  | Plunger Guide Bushing          |
| 8.....  | 808771.....  | Hinge-Block           | *       | 1397973..... | Pivot Bushing                  |
| 9.....  | 502850.....  | Connecting Rod        | *       | 1397972..... | Rod Bushing                    |
| 10..... | 1397952..... | Brake Arm-Rear        | *       | 501545.....  | Type DI-Opert. Mag. w/out Coil |
| 11..... | 1450521..... | Connecting Rod Pin    | *       | 502863.....  | Air Gap Spacer                 |
| 12..... | 1450524..... | Brake Lever Pivot Pin | *       | 104214.....  | Brake Arm Adjusting Assembly   |
| 13..... | 1450521..... | Spring Rod Pin        | *       | 1397971..... | Rear Arm Bushing-Upper         |
| 14..... | 502852.....  | Hand Release Rod      | *       | 897925.....  | Coil                           |
| 15..... | 502858.....  | Hand Release Rod Pin  | *       | 1397970..... | Arm Bushing-Lower              |
| 16..... | 502851.....  | Spring Rod            | *       | 1397933..... | Base Bushing                   |
| 17..... | 1397953..... | Brake Lever           | *       | 1397969..... | Front Arm Bushing-Upper        |

\* Not Pictured

This document utilizes an interactive table of contents to help you jump from one section to another. Click the button to return to the table of contents.

**RETURN TO  
TABLE OF CONTENTS**



**DI BRAKES**

- TYPE DI 062--F MAGNETIC BRAKE
- TYPE DI 104--F MAGNETIC BRAKE
- TYPE DI 135--F MAGNETIC BRAKE
- TYPE DI 167--F MAGNETIC BRAKE
- TYPE DI 198--F MAGNETIC BRAKE
- TYPE DI 239--F MAGNETIC BRAKE

**TM BRAKES**

**CONTACTORS**

**INDEX**

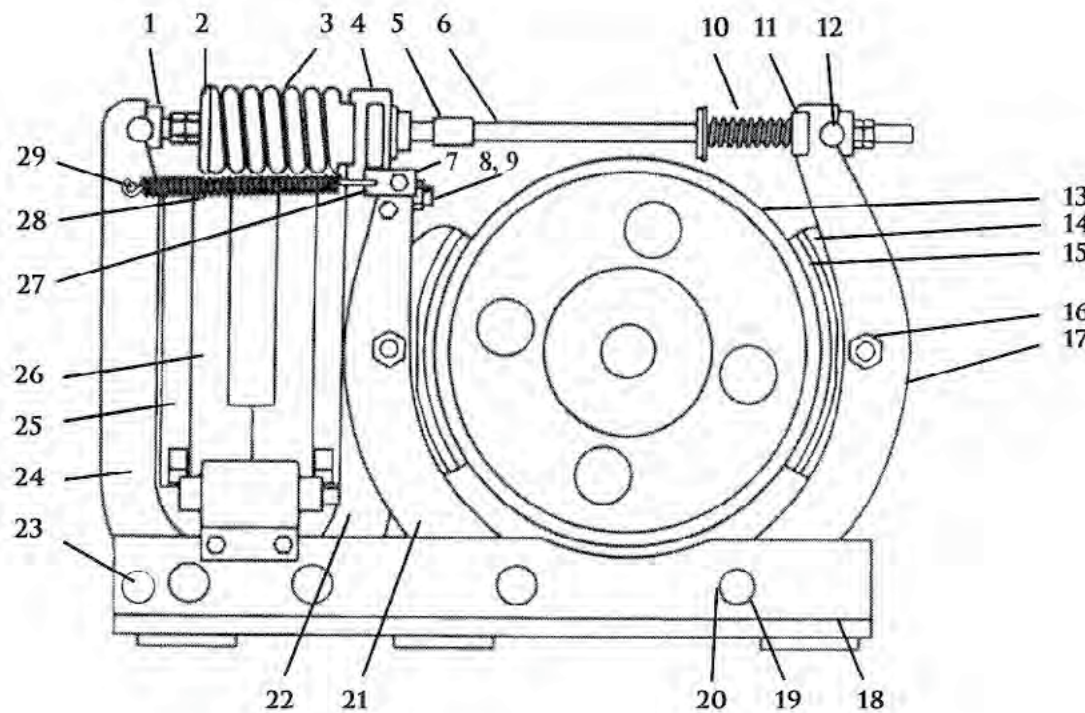
**TYPE DI 239-F MAGNETIC BRAKE**

| ITM     | OEM PART     | DESCRIPTION           | ITM     | OEM PART     | DESCRIPTION                    |
|---------|--------------|-----------------------|---------|--------------|--------------------------------|
| 1.....  | 1496318..... | Base                  | 18..... | 1494549..... | Link Pin-Upper                 |
| 2.....  | 1397987..... | Brake Arm Pin-Lower   | 19..... | 599258.....  | Spring                         |
| 3.....  | 1397954..... | Brake Arm-Front       | 20..... | 599259.....  | Spring Seat                    |
| 4.....  | 599242.....  | Brake Shoe w/ Lining  | 21..... | 599253.....  | Connecting Link                |
| 5.....  | 599244.....  | Brake Shoe Pivot Bolt | 22..... | 1496317..... | Link Pin-Lower                 |
| 6.....  | 599243.....  | Lining                | 23..... | 599261.....  | Plunger                        |
| 7.....  | 1397993..... | Brake Arm Pin-Upper   | * ..... | 568578.....  | Type DI-Opert. Mag. w/out Coil |
| 8.....  | 822228.....  | Hinge-Block           | * ..... | 1397978..... | Rod Bushing                    |
| 9.....  | 599249.....  | Connecting Rod        | * ..... | 599262.....  | Air Gap Spacer                 |
| 10..... | 1397955..... | Brake Arm-Rear        | * ..... | 760344.....  | Shunt Coil                     |
| 11..... | 1397988..... | Connecting Rod Pin    | * ..... | 1397932..... | Base Bushing                   |
| 12..... | 1397989..... | Brake Lever Pivot Pin | * ..... | 1397977..... | Pivot Bushing                  |
| 13..... | 1397988..... | Spring Rod Pin        | * ..... | 822229.....  | Plunger Guide Bushing          |
| 14..... | 599255.....  | Hand Release Rod      | * ..... | 1397974..... | Front Arm Bushing-Upper        |
| 15..... | 599256.....  | Hand Release Rod Pin  | * ..... | 1397975..... | Arm Bushing-Lower              |
| 16..... | 599257.....  | Spring Rod            | * ..... | 1397976..... | Rear Arm Bushing-Upper         |
| 17..... | 1397956..... | Brake Lever           |         |              |                                |

\* Not Pictured

This document utilizes an interactive table of contents to help you jump from one section to another. Click the button to return to the table of contents.

**RETURN TO TABLE OF CONTENTS**



*DI BRAKES*

*TM BRAKES*

- TYPE TM--83 MAGNETIC SHOE BRAKE
- TYPE TM--1035 MAGNETIC SHOE BRAKE
- TYPE TM--1355 MAGNETIC SHOE BRAKE
- TYPE TM--1665 MAGNETIC SHOE BRAKE
- TYPE TM--1985 MAGNETIC SHOE BRAKE
- TYPE TM--2311 MAGNETIC SHOE BRAKE
- TYPE TM--3014 MAGNETIC SHOE BRAKE

*CONTACTORS*

*INDEX*

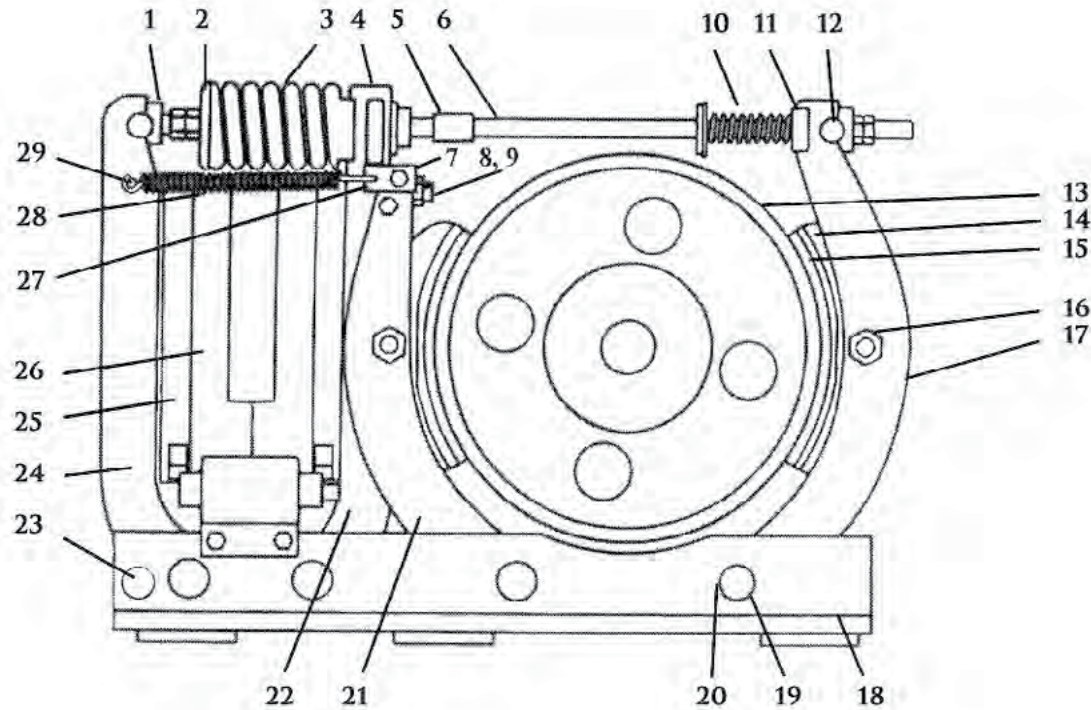
**TYPE TM-83 MAGNETIC SHOE BRAKE**

| ITM     | OEM PART         | DESCRIPTION   | ITM     | OEM PART         | DESCRIPTION          |
|---------|------------------|---------------|---------|------------------|----------------------|
| 1.....  | 318B788H03 ..... | Block         | 17..... | E008058 .....    | Outer Brake Shoe Arm |
| 2.....  | 318B795H02 ..... | Spring Retain | 18..... | 439C330G01 ..... | Base                 |
| 3.....  | 438A072H13 ..... | Spring        | 19..... | 31D4114H11 ..... | Bushing              |
| 4.....  | 318B791H02 ..... | Block         | 20..... | 318B789H03 ..... | Pin                  |
| 5.....  | 318B792H02 ..... | Release BSNG  | 21..... | E008060 .....    | Inner Brake Shoe Arm |
| 6.....  | 635C104G02 ..... | Tie Rod       | 22..... | 439C324G01 ..... | Clapper & Arm        |
| 7.....  | 438A502H01 ..... | Block         | 23..... | 318B571H03 ..... | Pin                  |
| 8.....  | 318B793H02 ..... | Adj. Screw    | 24..... | E008062 .....    | Clapper Arm          |
| 10..... | 438A070H13 ..... | Spring        | 25..... | 318B634G01 ..... | Clapper              |
| 11..... | 318B777H02 ..... | Spring Plate  | 26..... | Coil.....        | Give # on Coil       |
| 12..... | 318B787H03 ..... | Block         | 27..... | 318B778H02 ..... | Spring Clip          |
| 13..... | Brake Wheel..... | Provide Specs | 28..... | 438A411H04 ..... | Spring               |
| 14..... | 439C314G01 ..... | Shoe & Lining | 29..... | 318B790H03 ..... | Pin                  |
| 15..... | 861C691G16 ..... | Lining Kit    | * ..... | 318B917H02 ..... | Seal                 |
| 16..... | 27D7221H14 ..... | Bolt          | * ..... | 31D4118H04 ..... | Bushing              |



This document utilizes an interactive table of contents to help you jump from one section to another. Click the button to return to the table of contents.

**RETURN TO  
TABLE OF CONTENTS**



*DI BRAKES*

*TM BRAKES*

- TYPE TM--83 MAGNETIC SHOE BRAKE
- TYPE TM--1035 MAGNETIC SHOE BRAKE
- TYPE TM--1355 MAGNETIC SHOE BRAKE
- TYPE TM--1665 MAGNETIC SHOE BRAKE
- TYPE TM--1985 MAGNETIC SHOE BRAKE
- TYPE TM--2311 MAGNETIC SHOE BRAKE
- TYPE TM--3014 MAGNETIC SHOE BRAKE

*CONTACTORS*

*INDEX*

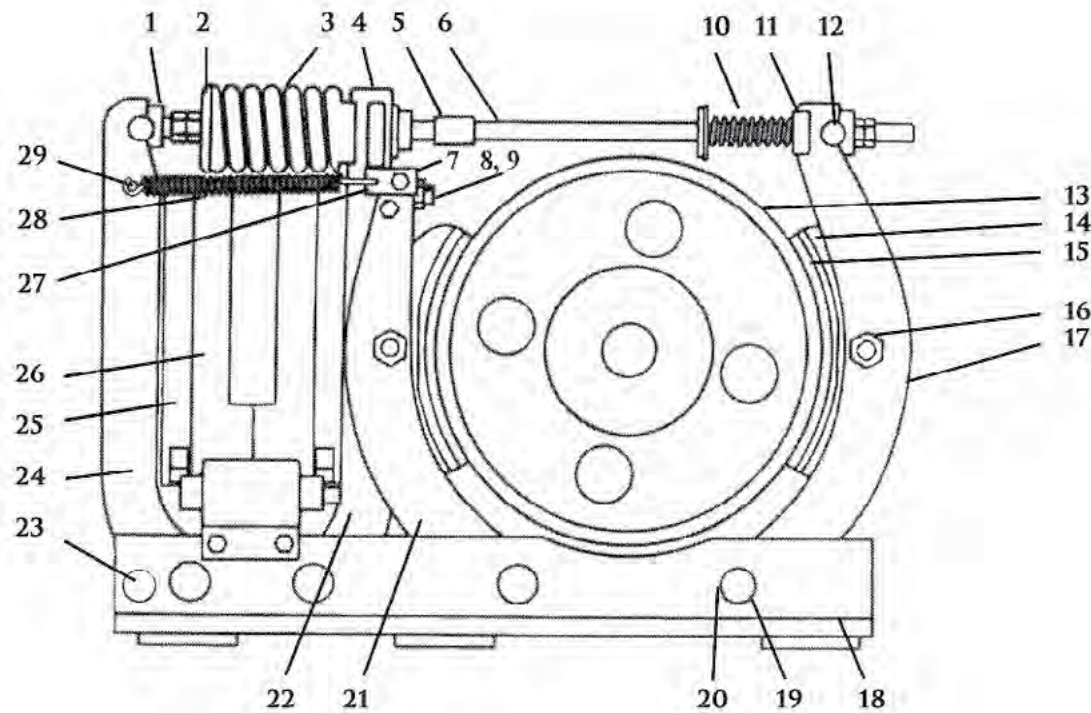
**TYPE TM-1035 MAGNETIC SHOE BRAKE**

| ITM     | OEM PART         | DESCRIPTION       | ITM     | OEM PART        | DESCRIPTION    |
|---------|------------------|-------------------|---------|-----------------|----------------|
| 1.....  | 318B788H03.....  | Block             | 17..... | 635C306G01..... | Shoe Arm       |
| 2.....  | 318B795H03.....  | Spring Retain     | 18..... | 635C300G01..... | Base           |
| 3.....  | 438A072H11.....  | Spring            | 19..... | 31D4118H04..... | Bushing        |
| 4.....  | E010074.....     | Inner Hinge Block | 20..... | 318B789H03..... | Pin            |
| 5.....  | 318B792H02.....  | Release BSNG      | 21..... | 635C306G02..... | Shoe Arm       |
| 6.....  | 635C104G03.....  | Tie Rod           | 22..... | 635C317G01..... | Clapper & Arm  |
| 7.....  | 438A217H01.....  | Block             | 23..... | 318B571H03..... | Pin            |
| 8.....  | 318B793H02.....  | Adj. Screw        | 24..... | 635C308G01..... | Clapper Arm    |
| 10..... | 438A070H13.....  | Spring            | 25..... | 318B988G01..... | Clapper        |
| 11..... | 318B777H02.....  | Spring Plate      | 26..... | Coil.....       | Give # on Coil |
| 12..... | 318B787H03.....  | Block             | 27..... | 318B778H02..... | Spring Clip    |
| 13..... | Brake Wheel..... | Provide Specs     | 28..... | 438A411H03..... | Spring         |
| 14..... | 635C292G01.....  | Shoe & Lining     | 29..... | 318B790H03..... | Pin            |
| 15..... | 861C691G17.....  | Lining Kit        | *       | 31D4114H11..... | Bushing        |
| 16..... | 27D7221H14.....  | Bolt              | *       | 318B917H03..... | Seal           |



This document utilizes an interactive table of contents to help you jump from one section to another. Click the button to return to the table of contents.

**RETURN TO  
TABLE OF CONTENTS**



*DI BRAKES*

*TM BRAKES*

- TYPE TM--83 MAGNETIC SHOE BRAKE
- TYPE TM--1035 MAGNETIC SHOE BRAKE
- TYPE TM--1355 MAGNETIC SHOE BRAKE
- TYPE TM--1665 MAGNETIC SHOE BRAKE
- TYPE TM--1985 MAGNETIC SHOE BRAKE
- TYPE TM--2311 MAGNETIC SHOE BRAKE
- TYPE TM--3014 MAGNETIC SHOE BRAKE

*CONTACTORS*

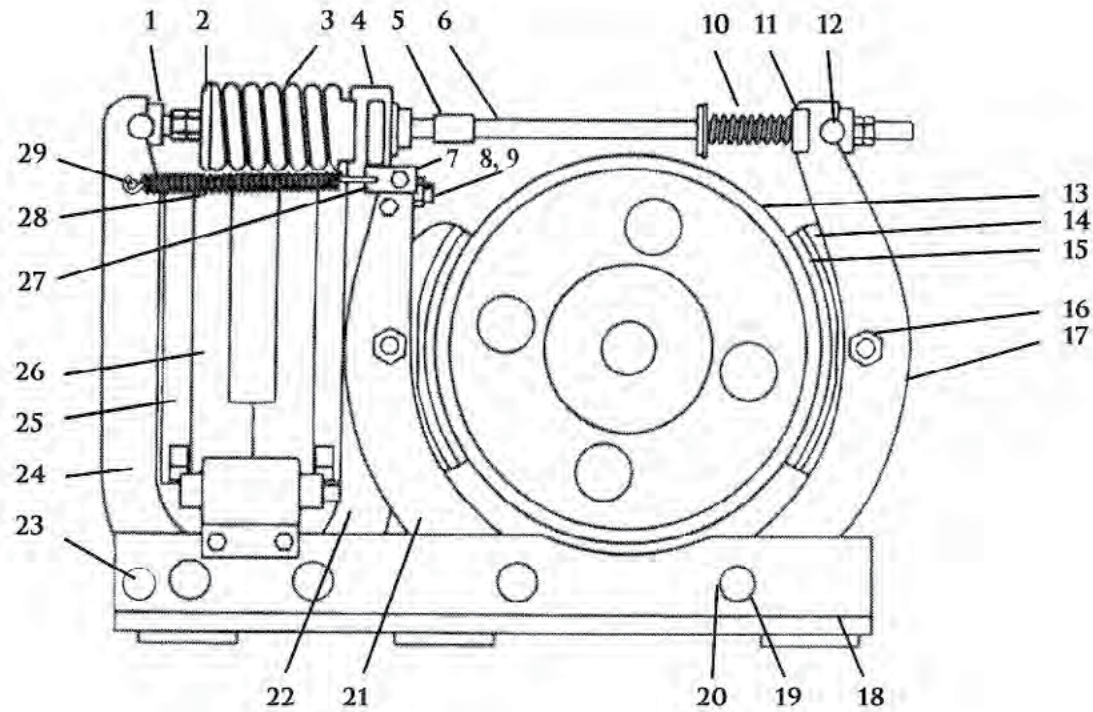
*INDEX*

## TYPE TM-1355 MAGNETIC SHOE BRAKE

| ITM     | OEM PART        | DESCRIPTION   | ITM     | OEM PART        | DESCRIPTION    |
|---------|-----------------|---------------|---------|-----------------|----------------|
| 1.....  | 318B788H04..... | Block         | 18..... | 439C204G01..... | Base           |
| 2.....  | 318B795H04..... | Spring Retain | 19..... | 31D4118H06..... | Bushing        |
| 3.....  | 438A072H09..... | Spring        | 20..... | 318B789H04..... | Pin            |
| 4.....  | 318B791H04..... | Block         | 21..... | 439C192G06..... | Shoe Arm       |
| 5.....  | 318B792H04..... | Release BSNG  | 22..... | 439C202G01..... | Clapper & Arm  |
| 6.....  | 635C104G04..... | Tie Rod       | 23..... | 318B571H04..... | Pin            |
| 7.....  | 438A456H01..... | Block         | 24..... | 439C203G01..... | Clapper Arm    |
| 8.....  | 318B793H04..... | Adj. Screw    | 25..... | 318B560G01..... | Clapper        |
| 10..... | 438A070H09..... | Spring        | 26..... | Coil.....       | Give # on Coil |
| 11..... | 318B777H04..... | Spring Plate  | 27..... | 318B778H04..... | Spring Clip    |
| 12..... | 318B787H05..... | Block         | 28..... | 438A411H05..... | Spring         |
| 14..... | 439C201G01..... | Shoe & Lining | 29..... | 318B790H04..... | Pin            |
| 15..... | 861C691G18..... | Lining Kit    | *       | 318B917H04..... | Seal           |
| 16..... | 24D6387G04..... | Bolt          | *       | 31D4114H12..... | Bushing        |
| 17..... | 439C192G05..... | Shoe Arm      |         |                 |                |

This document utilizes an interactive table of contents to help you jump from one section to another. Click the button to return to the table of contents.

**RETURN TO  
TABLE OF CONTENTS**



*DI BRAKES*

*TM BRAKES*

- TYPE TM--83 MAGNETIC SHOE BRAKE
- TYPE TM--1035 MAGNETIC SHOE BRAKE
- TYPE TM--1355 MAGNETIC SHOE BRAKE
- TYPE TM--1665 MAGNETIC SHOE BRAKE
- TYPE TM--1985 MAGNETIC SHOE BRAKE
- TYPE TM--2311 MAGNETIC SHOE BRAKE
- TYPE TM--3014 MAGNETIC SHOE BRAKE

*CONTACTORS*

*INDEX*

**TYPE TM-1665 MAGNETIC SHOE BRAKE**

| ITM     | OEM PART    | DESCRIPTION                | ITM     | OEM PART   | DESCRIPTION         |
|---------|-------------|----------------------------|---------|------------|---------------------|
| 1.....  | 318B788H05  | .....Block                 | 17..... | 635C240G01 | .....Shoe Arm       |
| 2.....  | 318B795H05  | .....Spring Retain         | 18..... | 635C235G01 | .....Base           |
| 3.....  | 438A072H07  | .....Spring                | 19..... | 31D4118H06 | .....Bushing        |
| 4.....  | 318B791H05  | .....Block                 | 20..... | 318B789H05 | .....Pin            |
| 5.....  | 318B792H04  | .....Release BSNG          | 21..... | 635C240G02 | .....Shoe Arm       |
| 6.....  | 635C104G05  | .....Tie Rod               | 22..... | 635C236G01 | .....Clapper & Arm  |
| 7.....  | 438A352H01  | .....Block                 | 23..... | 318B571H05 | .....Pin            |
| 8.....  | 318B793H04  | .....Adj. Screw            | 24..... | 635C238G01 | .....Clapper Arm    |
| 10..... | E016207     | .....Wheel End Spring      | 25..... | 318B907G01 | .....Clapper        |
| 11..... | 318B777H04  | .....Spring Plate          | 26..... | Coil       | .....Give # on Coil |
| 12..... | E016205     | .....Wheel End Hinge Block | 27..... | 318B778H05 | .....Spring Clip    |
| 13..... | Brake Wheel | .....Call for Pricing      | 28..... | 438A411H05 | .....Spring         |
| 14..... | 635C227G01  | .....Shoe & Lining         | 29..... | 318B790H05 | .....Pin            |
| 15..... | 861C691G19  | .....Lining Kit            | * ..... | 31D4114H12 | .....Bushing        |
| 16..... | 24D6387G03  | .....Bolt                  | * ..... | 318B917H05 | .....Seal           |

This document utilizes an interactive table of contents to help you jump from one section to another. Click the button to return to the table of contents.

**RETURN TO TABLE OF CONTENTS**

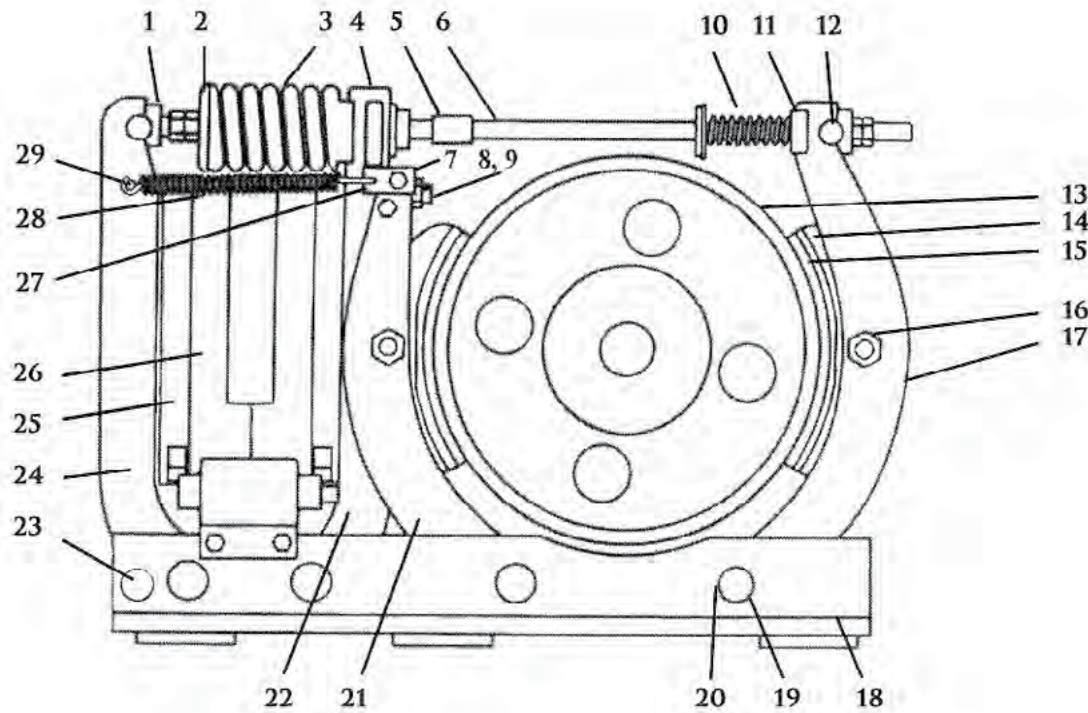
*DI BRAKES*

*TM BRAKES*

- TYPE TM--83 MAGNETIC SHOE BRAKE
- TYPE TM--1035 MAGNETIC SHOE BRAKE
- TYPE TM--1355 MAGNETIC SHOE BRAKE
- TYPE TM--1665 MAGNETIC SHOE BRAKE
- TYPE TM--1985 MAGNETIC SHOE BRAKE
- TYPE TM--2311 MAGNETIC SHOE BRAKE
- TYPE TM--3014 MAGNETIC SHOE BRAKE

*CONTACTORS*

*INDEX*



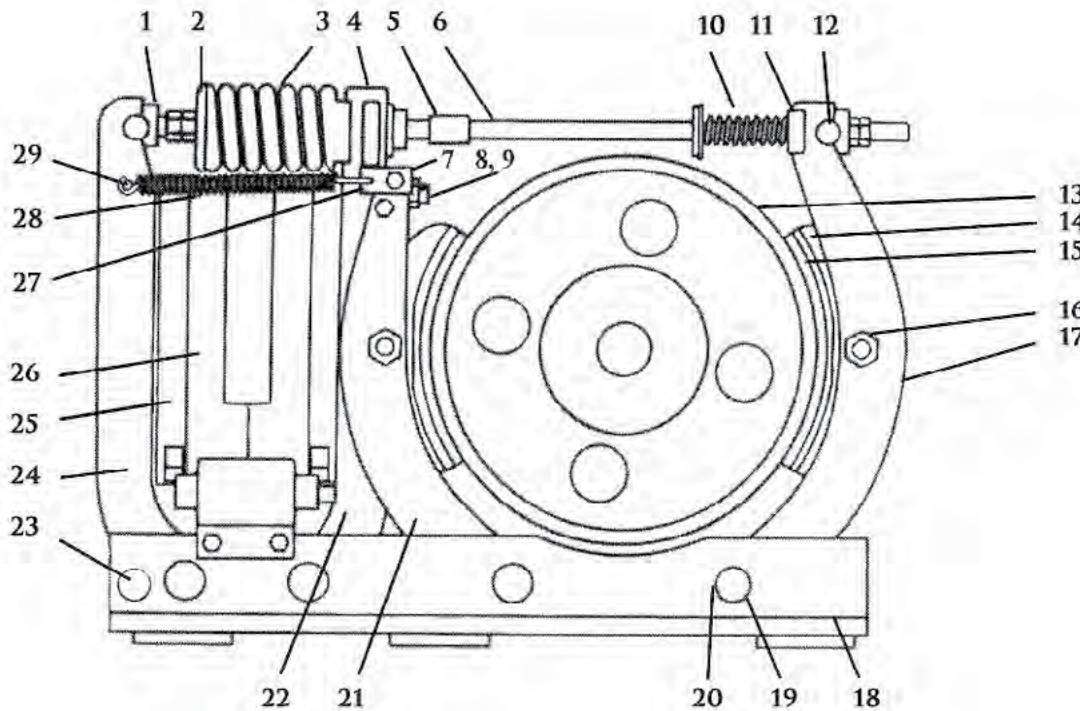
**TYPE TM-1985 MAGNETIC SHOE BRAKE**

| ITM     | OEM PART          | DESCRIPTION   | ITM     | OEM PART        | DESCRIPTION    |
|---------|-------------------|---------------|---------|-----------------|----------------|
| 1.....  | 318B788H06.....   | Block         | 17..... | 439C395G01..... | Shoe Arm       |
| 2.....  | 318B795H06.....   | Spring Retain | 18..... | 439C399G01..... | Base           |
| 3.....  | 438A072H05.....   | Spring        | 19..... | 31D4118H19..... | Bushing        |
| 4.....  | 318B791H06.....   | Block         | 20..... | 318B789H06..... | Pin            |
| 5.....  | 318B792H06.....   | Release BSNG  | 21..... | 439C395G02..... | Shoe Arm       |
| 6.....  | 635C104G06.....   | Tie Rod       | 22..... | 493C397G01..... | Clapper & Arm  |
| 8.....  | 318B793H06.....   | Adj. Screw    | 23..... | 138B571H06..... | Pin            |
| 9.....  | Flex Locknut..... | Not Used      | 24..... | 439C398G03..... | Clapper Arm    |
| 10..... | 24D5096H11.....   | Spring        | 25..... | 318B670G01..... | Clapper        |
| 11..... | 318B777H06.....   | Spring Plate  | 26..... | Coil.....       | Give # on Coil |
| 12..... | 318B787H06.....   | Block         | 27..... | 318B778H06..... | Spring Clip    |
| 13..... | Brake Wheel.....  | Provide Specs | 28..... | 438A069H05..... | Spring         |
| 14..... | 439C394G01.....   | Shoe & Lining | 29..... | 318B790H06..... | Pin            |
| 15..... | 861C691G20.....   | Lining Kit    | *       | 318B917H06..... | Seal           |
| 16..... | 24D6387G01.....   | Bolt          | *       | 31D4114H20..... | Bushing        |



This document utilizes an interactive table of contents to help you jump from one section to another. Click the button to return to the table of contents.

**RETURN TO  
TABLE OF CONTENTS**



*DI BRAKES*

*TM BRAKES*

- TYPE TM--83 MAGNETIC SHOE BRAKE
- TYPE TM--1035 MAGNETIC SHOE BRAKE
- TYPE TM--1355 MAGNETIC SHOE BRAKE
- TYPE TM--1665 MAGNETIC SHOE BRAKE
- TYPE TM--1985 MAGNETIC SHOE BRAKE
- TYPE TM--2311 MAGNETIC SHOE BRAKE
- TYPE TM--3014 MAGNETIC SHOE BRAKE

*CONTACTORS*

*INDEX*

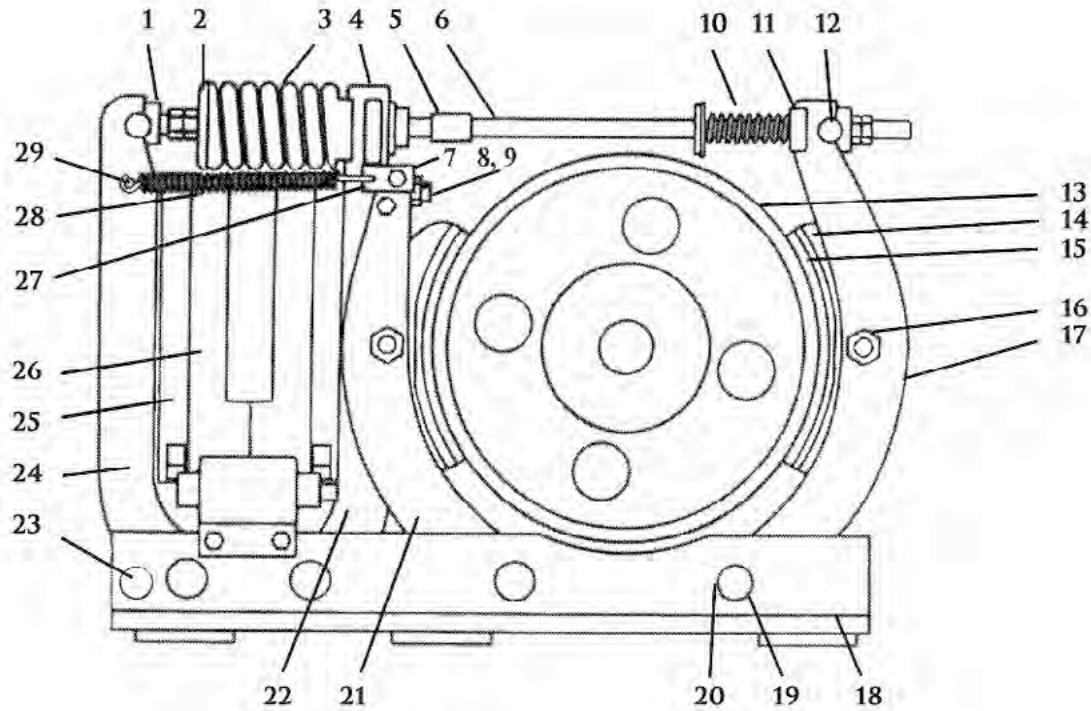
**TYPE TM-2311 MAGNETIC SHOE BRAKE**

| ITM     | OEM PART          | DESCRIPTION           | ITM     | OEM PART   | DESCRIPTION         |
|---------|-------------------|-----------------------|---------|------------|---------------------|
| 1.....  | 318B788H07        | .....Block            | 14..... | 635C316G01 | .....Shoe & Lining  |
| 2.....  | 318B795H07        | .....Spring Retain    | 15..... | 861C691G21 | .....Lining Kit     |
| 3.....  | 438A072H03        | .....Spring           | 16..... | 24D6387G02 | .....Bolt           |
| 4.....  | 318B791H07        | .....Block            | 17..... | 637C324G01 | .....Shoe Arm       |
| 5.....  | 318B792H06        | .....Release BSNG     | 18..... | 434C392G01 | .....Base           |
| 6.....  | 635C104G07        | .....Tie Rod          | 19..... | 31D4118H19 | .....Bushing        |
| 7.....  | 438A429H01        | .....Block            | 20..... | 318B789H07 | .....Pin            |
| 8.....  | 318B793H06        | .....Adj. Screw       | 21..... | 637C324G02 | .....Shoe Arm       |
| 9.....  | .....Flex Locknut | .....NOT USED         | 22..... | 637C343G01 | .....Clapper & Arm  |
| 10..... | 24D5096H11        | .....Spring           | 23..... | 138B571H07 | .....Pin            |
| 11..... | 318B777H07        | .....Spring Plate     | 24..... | 637C362G01 | .....Clapper Arm    |
| 12..... | 318B787H07        | .....Block            | 25..... | 319B098G01 | .....Clapper        |
| 13..... | Brake Wheel       | .....Call for Pricing | 26..... | Coil       | .....Give # on Coil |
| 14..... | 635C316G01        | .....Shoe & Lining    | 27..... | 318B778H07 | .....Spring Clip    |
| 15..... | 861C691G21        | .....Lining Kit       | 28..... | 438A069H05 | .....Spring         |
| 16..... | 24D6387G02        | .....Bolt             | 29..... | 318B790H07 | .....Pin            |
| 17..... | 637C324G01        | .....Shoe Arm         | *       | 31D4114H20 | .....Bushing        |
| 18..... | 434C392G01        | .....Base             | *       | 318B917H07 | .....Seal           |
| 19..... | 31D4118H19        | .....Bushing          |         |            |                     |



This document utilizes an interactive table of contents to help you jump from one section to another. Click the button to return to the table of contents.

**RETURN TO  
TABLE OF CONTENTS**



*DI BRAKES*

*TM BRAKES*

- TYPE TM--83 MAGNETIC SHOE BRAKE
- TYPE TM--1035 MAGNETIC SHOE BRAKE
- TYPE TM--1355 MAGNETIC SHOE BRAKE
- TYPE TM--1665 MAGNETIC SHOE BRAKE
- TYPE TM--1985 MAGNETIC SHOE BRAKE
- TYPE TM--2311 MAGNETIC SHOE BRAKE
- TYPE TM--3014 MAGNETIC SHOE BRAKE

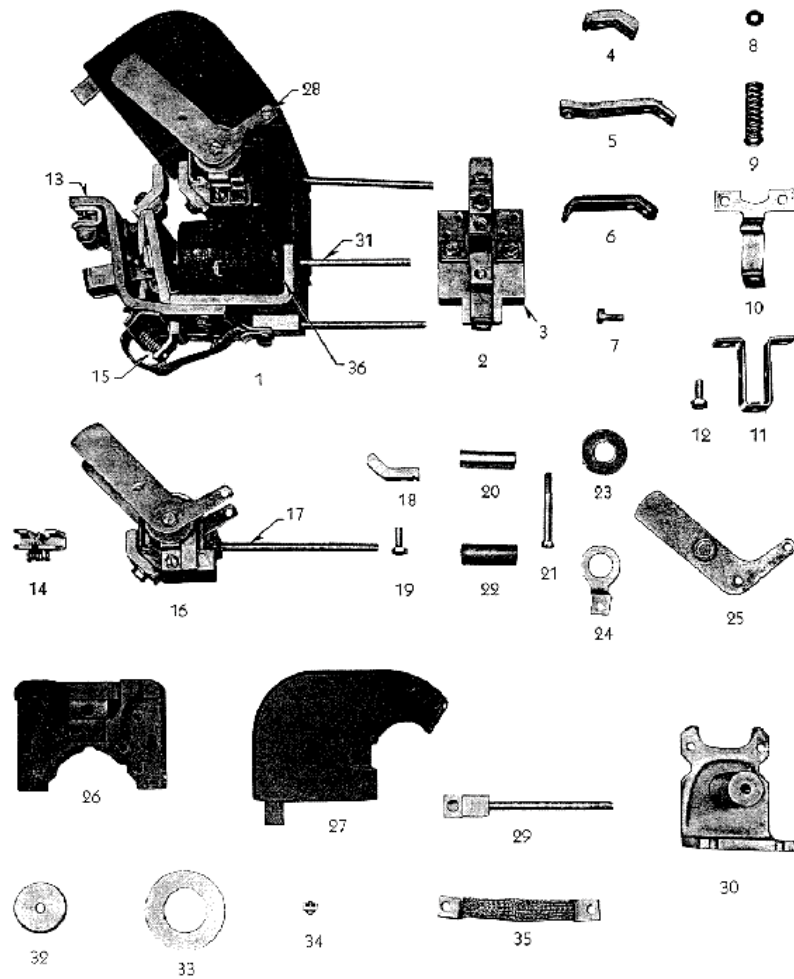
*CONTACTORS*

*INDEX*

**TYPE TM-3014 MAGNETIC SHOE BRAKE**

| ITM     | OEM PART     | DESCRIPTION   | ITM     | OEM PART   | DESCRIPTION        |
|---------|--------------|---------------|---------|------------|--------------------|
| 1.....  | 318B788H08   | Block         | 16..... | 450A869G01 | Bolt               |
| 2.....  | 318B795H08   | Spring Retain | 17..... | 641C782G01 | Shoe Arm           |
| 3.....  | 438A072H01   | Spring        | 18..... | 641C808G01 | Base               |
| 4.....  | 318B791H08   | Block         | 19..... | 31D4118H20 | Bushing            |
| 5.....  | 318B792H08   | Release BSNG  | 20..... | 318B789H08 | Pin                |
| 6.....  | 635C104G08   | Tie Rod       | 21..... | 641C782G02 | Shoe Arm           |
| 7.....  | 450A849H01   | Block         | 22..... | 641C792G01 | Clapper & Arm      |
| 8.....  | 318B793H08   | Adj. Screw    | 23..... | 318B571H08 | Pin                |
| 9.....  | Flex Locknut | Not Used      | 24..... | 641C801G01 | Clapper Arm        |
| 10..... | 24D5096H11   | Spring        | 25..... | 473B166G01 | Clapper            |
| 11..... | 318B777H08   | Spring Plate  | 26..... | Coil       | Give part# on Coil |
| 12..... | 318B787H08   | Block         | 27..... | 318B778H08 | Spring Clip        |
| 13..... | Brake Wheel  | Provide Specs | 28..... | 438A411H08 | Spring             |
| 14..... | 426C041G01   | Shoe & Lining | 29..... | 318B790H08 | Pin                |
| 15..... | 861C691G22   | Lining Kit    | *       | 318B917H08 | Seal               |

# O.C.C. REPLACEMENT PARTS FOR WESTINGHOUSE



## TYPE M FRAME 301 DC MAGNETIC CONTACTOR

| ITM     | OEM PART | DESCRIPTION                       | ITM     | OEM PART   | DESCRIPTION              |
|---------|----------|-----------------------------------|---------|------------|--------------------------|
| 01..... | 1486982  | Mechanical Parts-Rear Connected   | 26..... | 1486752    | Spring Washer            |
| 01..... | 1490229  | M-301 Contactor                   | 27..... | 1486742    | Pole Piece, Left Hand    |
| 02..... | 1490295  | Armature Complete                 | 27..... | 1486743    | Pole Piece, Right Hand   |
| 03..... | 1486827  | Bare Armature                     | 28..... | 1486688    | Base                     |
| 04..... | 1486802  | Contact                           | 29..... | 1486648    | Arc Box Complete         |
| 05..... | 1486844  | Connector                         | 30..... | 716666     | Arc Box Retaining Bolt   |
| 06..... | 1486840  | Contact Support                   | 31..... | 1486851    | Copper Sleeve            |
| 07..... | 106149   | Contact Bolt                      | 32..... | 1486865    | Shunt Stud               |
| 08..... | 1490289  | Spring Shim                       | 33..... | 1486799    | Frame w/Core             |
| 09..... | 1486859  | Moving Contact Spring             | 34..... | 1486797    | Upper Frame              |
| 10..... | 1486828  | Auxiliary Bearing Bracket         | 35..... | 1486798    | Lower Frame              |
| 11..... | 1486820  | Moving Contact Spring Support     | 36..... | 559401     | Mounting Stud            |
| 12..... | 288683   | Spring Support Bolt               | 37..... | 1486833    | Pole Face                |
| 13..... | 1745045  | Armature Spring Bracket, Complete | 38..... | 1486996    | Coil Washer              |
| 14..... | 1486695  | Arc Switch                        | 39..... | 1437659    | Coil Terminal            |
| 15..... | 1486703  | Armature Spring                   | 40..... | 106149     | Contact Bolt             |
| 16..... | 1486830  | Adjusting Bar                     | 40..... | 1486867    | Shunt                    |
| 17..... | 1619510  | Adjusting Bar Screw               | 41..... | 1754375    | Operating Coil, 250 Volt |
| 18..... | 1490287  | Stationary Contact w/Blowout Coil | 41..... | 1419545    | Operating Coil, 230 Volt |
| 19..... | 1486767  | Blowout Coil                      | 41..... | 30B4375G25 | Operating Coil, 125 Volt |
| 20..... | 1486802  | Contact                           | 41..... | 1419544    | Operating Coil, 115 Volt |
| 21..... | 106149   | Contact Bolt                      | 41..... | 1419546    | Operating Coil, 550 Volt |
| 22..... | 1486748  | Blowout Coil Core                 | *       | 1745057    | Contact Kit              |
| 23..... | 442007   | Blowout Coil Core Bolt            | *       | 30B4375G11 | Coil, 250 VDC            |
| 24..... | 1486756  | Insulating Tube                   | *       | 657C900G03 | Coil, 230 VDC            |
| 25..... | 1486760  | Insulating Washer                 | *       | 26D2610G21 | Contact Kit              |

This document utilizes an interactive table of contents to help you jump from one section to another. Click the button to return to the table of contents.

**RETURN TO  
TABLE OF CONTENTS**

*DI BRAKES*

*TM BRAKES*

*CONTACTORS*

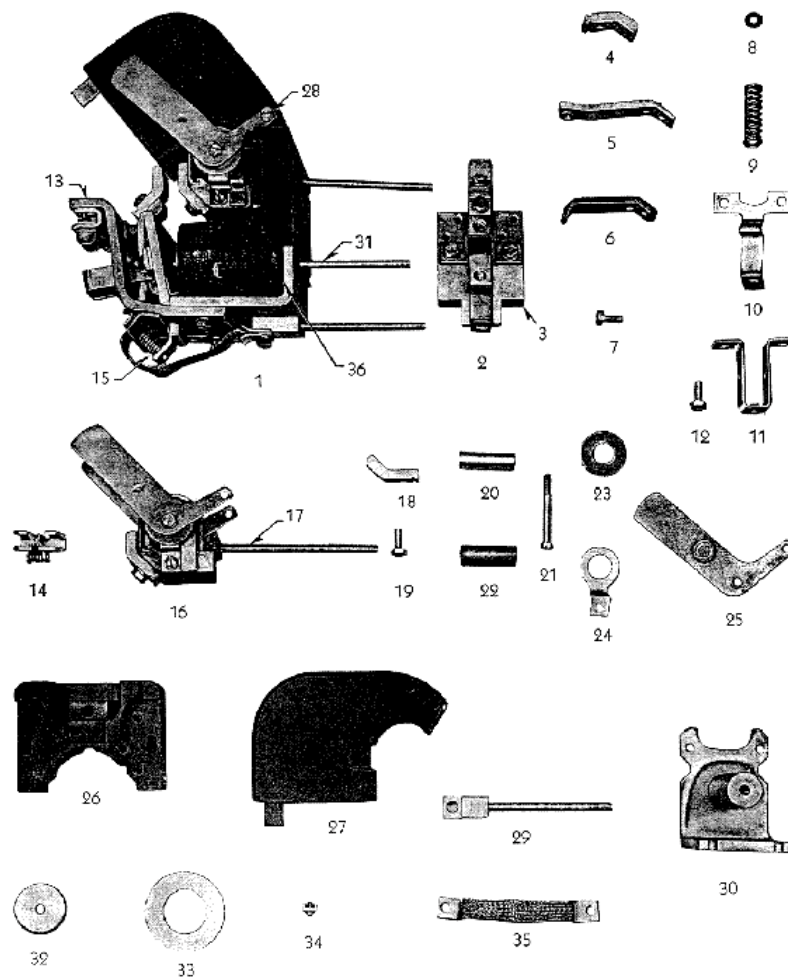
- TYPE M FRAME 301 DC MAGNETIC CONTACTOR
- TYPE M FRAME 401 DC MAGNETIC CONTACTOR
- TYPE M FRAME 501 DC MAGNETIC CONTACTOR
- TYPE M FRAME 601 DC MAGNETIC CONTACTOR
- TYPE M FRAME 701 DC MAGNETIC CONTACTOR
- TYPE MD FRAME 301 DC MAGNETIC CONTACTOR
- TYPE MD FRAME 401 DC MAGNETIC CONTACTOR
- TYPE MD FRAME 501 DC MAGNETIC CONTACTOR
- TYPE MD FRAME 601 DC MAGNETIC CONTACTOR
- TYPE MD FRAME 701 DC MAGNETIC CONTACTOR

*INDEX*

# O.C.C. REPLACEMENT PARTS FOR WESTINGHOUSE

This document utilizes an interactive table of contents to help you jump from one section to another. Click the button to return to the table of contents.

**RETURN TO  
TABLE OF CONTENTS**



## TYPE M FRAME 401 DC MAGNETIC CONTACTOR

*DI BRAKES*

*TM BRAKES*

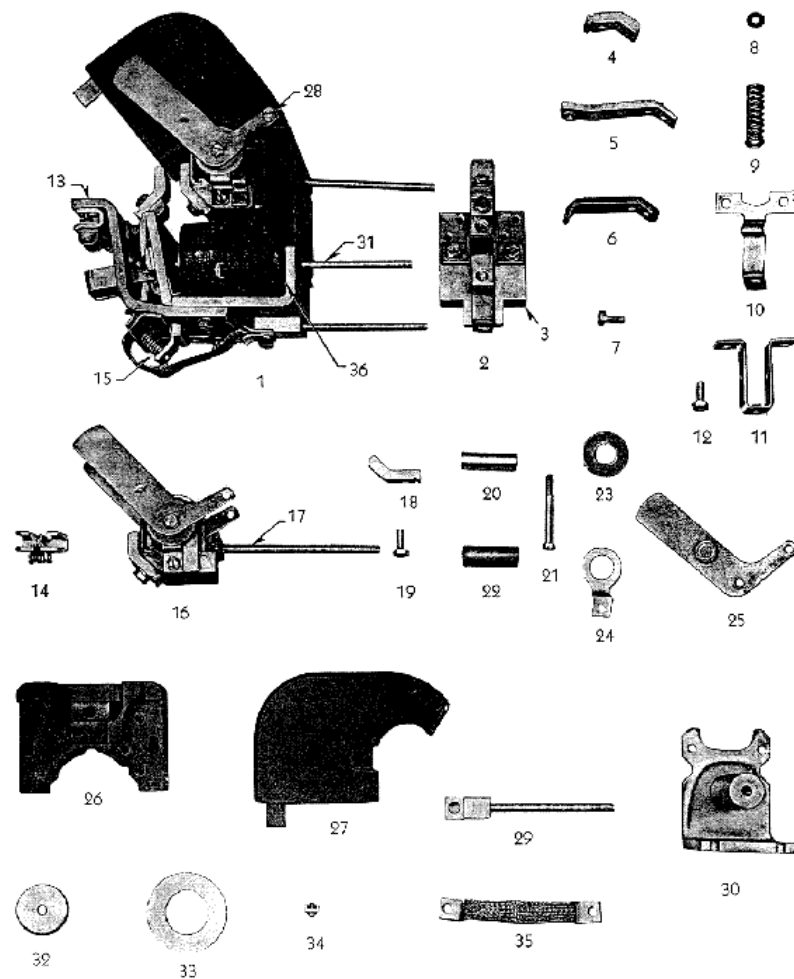
*CONTACTORS*

- TYPE M FRAME 301 DC MAGNETIC CONTACTOR
- TYPE M FRAME 401 DC MAGNETIC CONTACTOR
- TYPE M FRAME 501 DC MAGNETIC CONTACTOR
- TYPE M FRAME 601 DC MAGNETIC CONTACTOR
- TYPE M FRAME 701 DC MAGNETIC CONTACTOR
- TYPE MD FRAME 301 DC MAGNETIC CONTACTOR
- TYPE MD FRAME 401 DC MAGNETIC CONTACTOR
- TYPE MD FRAME 501 DC MAGNETIC CONTACTOR
- TYPE MD FRAME 601 DC MAGNETIC CONTACTOR
- TYPE MD FRAME 701 DC MAGNETIC CONTACTOR

*INDEX*

| ITM     | OEM PART     | DESCRIPTION                       | ITM     | OEM PART        | DESCRIPTION              |
|---------|--------------|-----------------------------------|---------|-----------------|--------------------------|
| 02..... | 1490295..... | Armature Complete                 | 26..... | 1486752.....    | Spring Washer            |
| 03..... | 1486827..... | Bare Armature                     | 27..... | 1486742.....    | Pole Piece, Left Hand    |
| 04..... | 1486802..... | Contact                           | *.....  | 1486743.....    | Pole Piece, Right Hand   |
| 05..... | 1486844..... | Connector                         | 28..... | 1486688.....    | Base                     |
| 06..... | 1486840..... | Contact Support                   | 29..... | 1486648.....    | Arc Box Complete         |
| 07..... | 106149.....  | Contact Bolt                      | 30..... | 716666.....     | Arc Box Retaining Bolt   |
| 08..... | 1490289..... | Spring Shim                       | 31..... | 1486851.....    | Copper Sleeve            |
| 09..... | 1486859..... | Moving Contact Spring             | 33..... | 1486799.....    | Frame w/Core             |
| 10..... | 1486828..... | Auxiliary Bearing Bracket         | 34..... | 1486797.....    | Upper Frame              |
| 11..... | 1486820..... | Moving Contact Spring Support     | 35..... | 1486798.....    | Lower Frame              |
| 12..... | 288683.....  | Spring Support Bolt               | 36..... | 559401.....     | Mounting Stud            |
| 14..... | 1486695..... | Arc Switch                        | 37..... | 1486833.....    | Pole Face                |
| 15..... | 1486704..... | Armature Spring                   | 38..... | 1486996.....    | Coil Washer              |
| 16..... | 1486830..... | Adjusting Bar                     | 39..... | 1437659.....    | Coil Terminal            |
| 17..... | 1619510..... | Adjusting Bar Screw               | 41..... | 1419546.....    | Operating Coil, 550 Volt |
| 18..... | 1490288..... | Stationary Contact w/Blowout Coil | 41..... | 1754375.....    | Operating Coil, 250 Volt |
| 19..... | 1486774..... | Blowout Coil                      | 41..... | 30B4375G25..... | Operating Coil, 125 Volt |
| 20..... | 1486802..... | Contact                           | 41..... | 1419544.....    | Operating Coil, 115 Volt |
| 21..... | 106149.....  | Contact Bolt                      | 41..... | 1419545.....    | Operating Coil, 230 Volt |
| 22..... | 1486748..... | Blowout Coil Core                 | *.....  | 1754375.....    | Operating Coil, 250 Volt |
| 23..... | 442007.....  | Blowout Coil Core Bolt            | *.....  | 106149.....     | Contact Bolt             |
| 24..... | 1486756..... | Insulating Tube                   | *.....  | 1745057.....    | Contact Kit              |
| 25..... | 1486760..... | Insulating Washer                 |         |                 |                          |

# O.C.C. REPLACEMENT PARTS FOR WESTINGHOUSE



## TYPE M FRAME 501 DC MAGNETIC CONTACTOR

| ITM     | OEM PART | DESCRIPTION                     | ITM     | OEM PART   | DESCRIPTION            |
|---------|----------|---------------------------------|---------|------------|------------------------|
| 01..... | 1490231  | M501 Contactor, Front Connected | 27..... | 1486744    | Pole Piece, LH         |
| 02..... | 1490301  | Armature Complete               | 28..... | 1486689    | Base                   |
| 03..... | 1486929  | Bare Armature                   | 29..... | 1486651    | Arc Box Complete       |
| 05..... | 1486945  | Connector                       | 30..... | 1449819    | Arc Box Retaining Bolt |
| 06..... | 1486941  | Contact Support                 | 31..... | 1486852    | Copper Sleeve          |
| 07..... | 401234   | Bolt                            | 32..... | 1486951    | Shunt Stud             |
| 08..... | 1490290  | Spring Shim                     | 33..... | 1486959    | Frame w/Core           |
| 09..... | 1486860  | Moving Contact Spring           | 34..... | 1486957    | Upper Frame            |
| 10..... | 1486930  | Aux. Bearing Bracket            | 35..... | 1486958    | Lower Frame            |
| 11..... | 1486937  | Moving Contact Spring Support   | 36..... | 559402     | Mounting Stud          |
| 12..... | 318615   | Spring Support Bolt             | 37..... | 1486834    | Pole Face              |
| 13..... | 1745047  | Armature Spring Bracket Comp.   | 38..... | 1486997    | Coil Washer            |
| 14..... | 1486695  | Arc Switch                      | 39..... | 1437659    | Coil Terminal          |
| 15..... | 1486704  | Armature Spring                 | 40..... | 1486952    | Shunt                  |
| 16..... | 1486933  | Adjusting Bar                   | 41..... | 1419552    | Operating Coil, 115V   |
| 17..... | 1619511  | Adjusting Bar Screw             | 41..... | 1754376    | Operating Coil, 250V   |
| 18..... | 1490299  | Stationary Contact w/BO Coil    | 41..... | 1419554    | Operating Coil, 550V   |
| 19..... | 1486780  | Blowout Coil                    | 41..... | 1419553    | Operating Coil, 230V   |
| 21..... | 401234   | Bolt                            | 42..... | 30B4375G24 | Operating Coil, 125V   |
| 22..... | 1486749  | Blowout Coil Core               | *       | 25A1649G05 | Armature Kit           |
| 23..... | 441891   | Blowout Coil Core Bolt          | *       | 30B4375G06 | Coil, 550 VDC          |
| 24..... | 1486757  | Insulating Tube                 | *       | 30B4375G05 | Coil, 230 VDC          |
| 25..... | 1486761  | Insulating Washer               | *       | 30B4375G04 | Coil, 115 VDC          |
| 26..... | 1486753  | Spring Washer                   | *       | 30B4375G12 | Coil, 250 VDC          |
| 27..... | 1486745  | Pole Piece, RH                  | *       | 1745058    | Contact Kit            |

This document utilizes an interactive table of contents to help you jump from one section to another. Click the button to return to the table of contents.

**RETURN TO  
TABLE OF CONTENTS**

*DI BRAKES*

*TM BRAKES*

*CONTACTORS*

- TYPE M FRAME 301 DC MAGNETIC CONTACTOR
- TYPE M FRAME 401 DC MAGNETIC CONTACTOR
- TYPE M FRAME 501 DC MAGNETIC CONTACTOR
- TYPE M FRAME 601 DC MAGNETIC CONTACTOR
- TYPE M FRAME 701 DC MAGNETIC CONTACTOR
- TYPE MD FRAME 301 DC MAGNETIC CONTACTOR
- TYPE MD FRAME 401 DC MAGNETIC CONTACTOR
- TYPE MD FRAME 501 DC MAGNETIC CONTACTOR
- TYPE MD FRAME 601 DC MAGNETIC CONTACTOR
- TYPE MD FRAME 701 DC MAGNETIC CONTACTOR

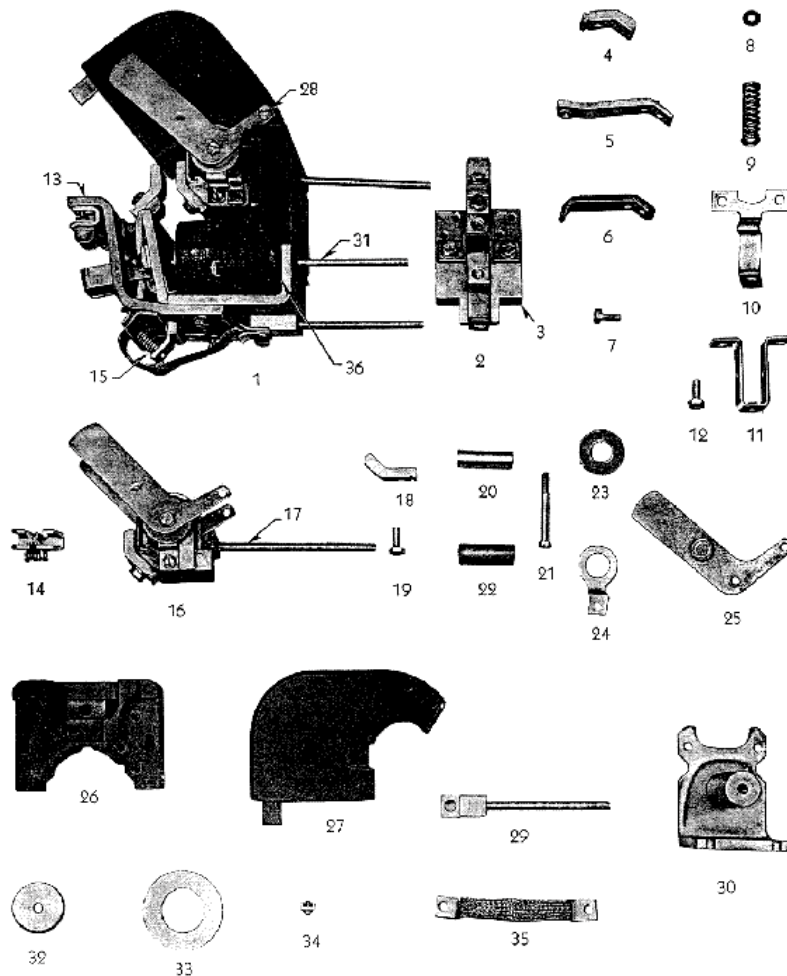
*INDEX*



# O.C.C. REPLACEMENT PARTS FOR WESTINGHOUSE

This document utilizes an interactive table of contents to help you jump from one section to another. Click the button to return to the table of contents.

**RETURN TO  
TABLE OF CONTENTS**



## TYPE M FRAME 601 DC MAGNETIC CONTACTOR

| ITM     | OEM PART     | DESCRIPTION                        | ITM     | OEM PART        | DESCRIPTION            |
|---------|--------------|------------------------------------|---------|-----------------|------------------------|
| 01..... | 1490232..... | Mechanical Parts - Front Connected | 26..... | 1486754.....    | Spring Washer          |
| 02..... | 1486928..... | Armature Complete                  | 27..... | 1486746.....    | Pole Piece Left Hand   |
| 03..... | 1486917..... | Bare Armature                      | 28..... | 1486690.....    | Base                   |
| 04..... | 1486804..... | Contact                            | 29..... | 1486654.....    | Arc Box Complete       |
| 05..... | 1486914..... | Connector                          | 30..... | 1449957.....    | Arc Box Retaining Bolt |
| 06..... | 1486911..... | Contact Support                    | 31..... | 1486853.....    | Copper Sleeve          |
| 07..... | 289960.....  | Contact Bolt                       | 32..... | 1486923.....    | Shunt Stud             |
| 08..... | 1490291..... | Moving Contact Spring Shim         | 33..... | 1486903.....    | Frame w/Core           |
| 08..... | 816395.....  | Moving Contact Spring Washer       | 34..... | 1496906.....    | Upper Frame            |
| 09..... | 1486862..... | Moving Contact Spring              | 35..... | 1486905.....    | Lower Frame            |
| 10..... | 1486918..... | Aux. Bearing Bracket               | 36..... | 59-359.....     | Mounting Stud          |
| 11..... | 1486912..... | Moving Contact Spring Support      | 37..... | 1625814.....    | Pole Face              |
| 12..... | 164954.....  | Spring Support Bolt                | 38..... | 1625816.....    | Coil Washer            |
| 13..... | 1745048..... | Armature Spring Bracket Complete   | 39..... | 1437659.....    | Coil Terminal          |
| 14..... | 1486696..... | Arc Switch                         | 40..... | 1486926.....    | Shunt                  |
| 15..... | 1486705..... | Armature Spring                    | 41..... | 30B4377G08..... | Coil, 550 VDC          |
| 16..... | 1486920..... | Adjusting Bar                      | 41..... | 1419564.....    | Coil, 115 VDC          |
| 17..... | 1619512..... | Adj. Bar Screw                     | 41..... | 30B4377G02..... | Coil, 230 VDC          |
| 18..... | 1486784..... | Stationary Contact w/Blowout Coil  | 41..... | 30B4377G25..... | Coil                   |
| 18..... | 1486804..... | Contact                            | 41..... | 1419566.....    | Coil                   |
| 19..... | 1486886..... | Blowout Coil                       | 41..... | 30B4377G13..... | Coil                   |
| 21..... | 289960.....  | Contact Bolt                       | 41..... | 1419565.....    | Coil                   |
| 22..... | 1486750..... | Blowout Coil Core                  | 41..... | 30B4377G23..... | Coil                   |
| 23..... | 968986.....  | Blowout Coil Core Bolt             | 41..... | 30B4377G24..... | Coil                   |
| 24..... | 1486758..... | Insulating Tube                    | *       | 1745060.....    | Contact Kit            |
| 25..... | 1490236..... | Insulating Washer                  | *       | 1486747.....    | Pole Piece Right Hand  |
| 25..... | 1486762..... | Insulating Washer                  | *       | 658C256G03..... | Coil                   |

*DI BRAKES*

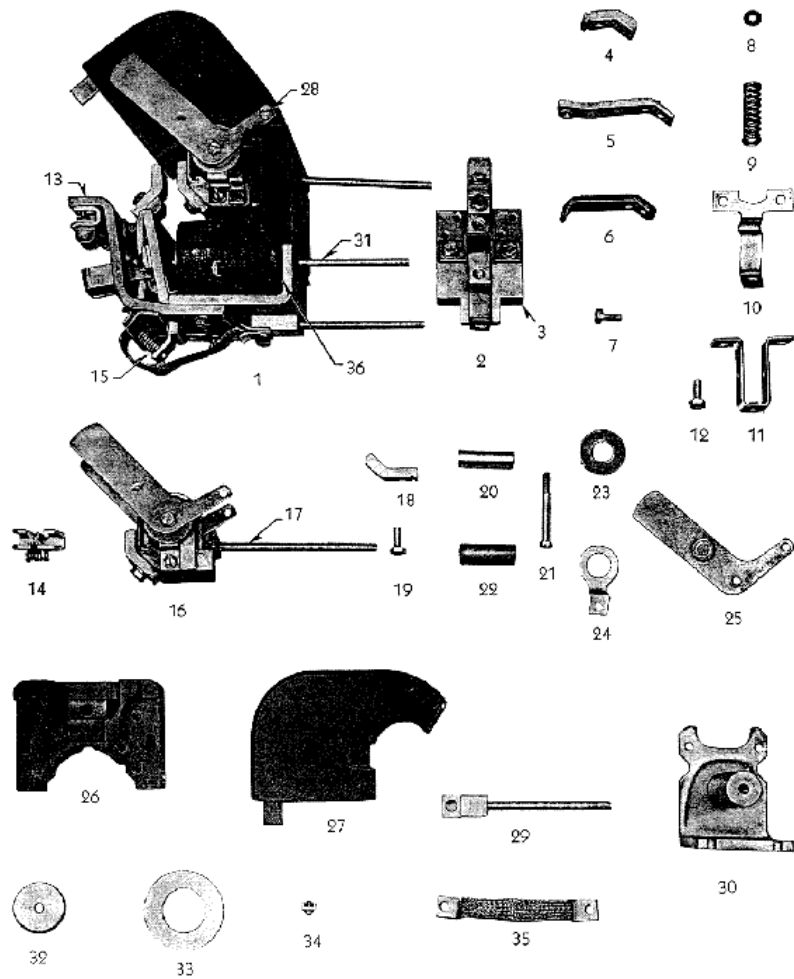
*TM BRAKES*

*CONTACTORS*

- TYPE M FRAME 301 DC MAGNETIC CONTACTOR
- TYPE M FRAME 401 DC MAGNETIC CONTACTOR
- TYPE M FRAME 501 DC MAGNETIC CONTACTOR
- TYPE M FRAME 601 DC MAGNETIC CONTACTOR
- TYPE M FRAME 701 DC MAGNETIC CONTACTOR
- TYPE MD FRAME 301 DC MAGNETIC CONTACTOR
- TYPE MD FRAME 401 DC MAGNETIC CONTACTOR
- TYPE MD FRAME 501 DC MAGNETIC CONTACTOR
- TYPE MD FRAME 601 DC MAGNETIC CONTACTOR
- TYPE MD FRAME 701 DC MAGNETIC CONTACTOR

*INDEX*

# O.C.C. REPLACEMENT PARTS FOR WESTINGHOUSE



## TYPE M FRAME 701 DC MAGNETIC CONTACTOR

| ITM     | OEM PART | DESCRIPTION                   | ITM     | OEM PART   | DESCRIPTION            |
|---------|----------|-------------------------------|---------|------------|------------------------|
| 02..... | 1486928  | Armature Complete             | 26..... | 1486754    | Spring Washer          |
| 03..... | 1486914  | Connector                     | 27..... | 1486746    | Pole Piece Left Hand   |
| 04..... | 1486804  | Contact                       | 28..... | 1486690    | Base                   |
| 05..... | 1486914  | Connector                     | 29..... | 1486654    | Arc Box Complete       |
| 06..... | 1486911  | Contact Support               | 30..... | 1449957    | Arc Box Retaining Bolt |
| 07..... | 289960   | Contact Bolt                  | 31..... | 1486853    | Copper Sleeve          |
| 08..... | 1490291  | Moving Contact Spring Shim    | 33..... | 1486903    | Frame w/Core           |
| 08..... | 816395   | Moving Contact Spring Washer  | 35..... | 1486905    | Lower Frame            |
| 09..... | 1486862  | Moving Contact Spring         | 36..... | 59-359     | Mounting Stud          |
| 10..... | 1486918  | Aux. Bearing Bracket          | 37..... | 1625814    | Pole Face              |
| 11..... | 1486912  | Moving Contact Spring Support | 38..... | 1625816    | Coil Washer            |
| 12..... | 164954   | Spring Support Bolt           | 39..... | 1437659    | Coil Terminal          |
| 14..... | 1486696  | Arc Switch                    | 40..... | 1486926    | Shunt                  |
| 15..... | 1486705  | Armature Spring               | 41..... | 30B4377G23 | Coil                   |
| 16..... | 1486920  | Adjusting Bar                 | 41..... | 30B4377G02 | Coil, 230 VDC          |
| 17..... | 1619512  | Adj. Bar Screw                | 41..... | 1754336    | Coil                   |
| 18..... | 1486785  | Stationary Contact W/BO Coil  | 41..... | 30B4377G24 | Coil                   |
| 19..... | 1486889  | Blowout Coil                  | 41..... | 30B4377G13 | Coil                   |
| 20..... | 1486804  | Contact                       | 41..... | 1419566    | Coil                   |
| 22..... | 289960   | Contact Bolt                  | 41..... | 1419565    | Coil                   |
| 22..... | 1486750  | Blowout Coil Core             | 41..... | 1419564    | Coil, 115 VDC          |
| 23..... | 968986   | Blowout Coil Core Bolt        | 41..... | 30B4377G08 | Coil, 550 VDC          |
| 24..... | 1486758  | Insulating Tube               | 41..... | 30B4377G25 | Coil                   |
| 25..... | 1486762  | Insulating Washer             | *       | 1486747    | Pole Piece Right Hand  |
| 25..... | 1490236  | Insulating Washer             | *       | 1745060    | Contact Kit            |

This document utilizes an interactive table of contents to help you jump from one section to another. Click the button to return to the table of contents.

**RETURN TO  
TABLE OF CONTENTS**

*DI BRAKES*

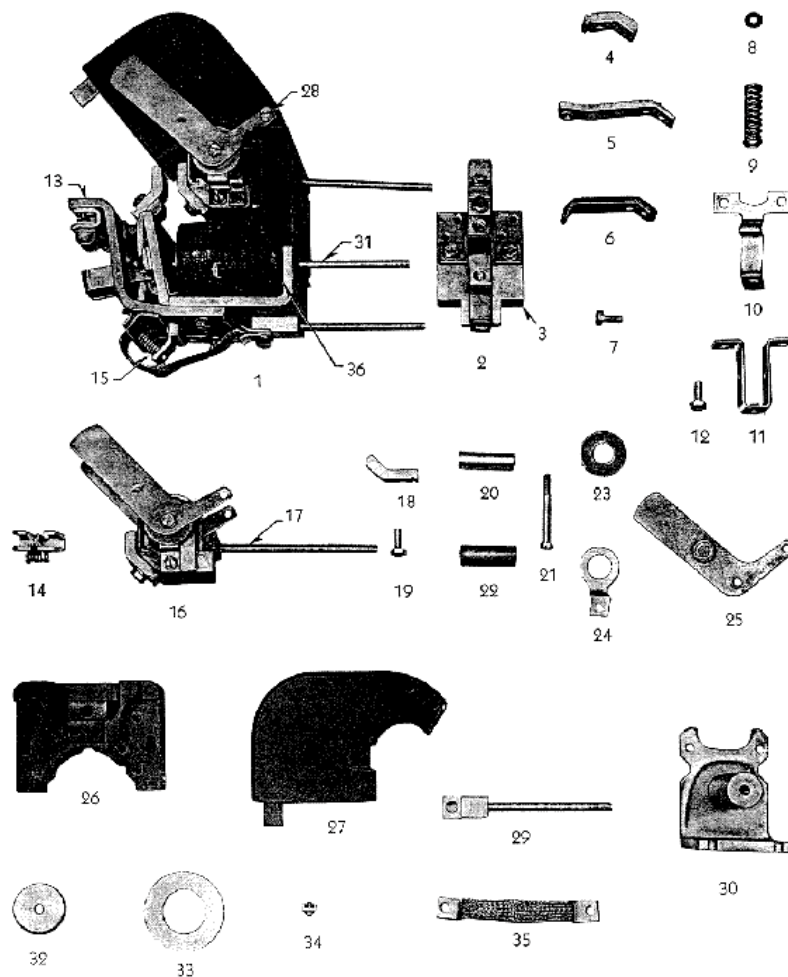
*TM BRAKES*

*CONTACTORS*

- TYPE M FRAME 301 DC MAGNETIC CONTACTOR
- TYPE M FRAME 401 DC MAGNETIC CONTACTOR
- TYPE M FRAME 501 DC MAGNETIC CONTACTOR
- TYPE M FRAME 601 DC MAGNETIC CONTACTOR
- TYPE M FRAME 701 DC MAGNETIC CONTACTOR
- TYPE MD FRAME 301 DC MAGNETIC CONTACTOR
- TYPE MD FRAME 401 DC MAGNETIC CONTACTOR
- TYPE MD FRAME 501 DC MAGNETIC CONTACTOR
- TYPE MD FRAME 601 DC MAGNETIC CONTACTOR
- TYPE MD FRAME 701 DC MAGNETIC CONTACTOR

*INDEX*

# O.C.C. REPLACEMENT PARTS FOR WESTINGHOUSE



## TYPE MD FRAME 301 DC MAGNETIC CONTACTOR

| ITM     | OEM PART     | DESCRIPTION                   | ITM     | OEM PART        | DESCRIPTION              |
|---------|--------------|-------------------------------|---------|-----------------|--------------------------|
| 02..... | 1490295..... | Armature Complete             | 25..... | 1486760.....    | Insulating Washer        |
| 03..... | 1486827..... | Bare Armature                 | 26..... | 1486752.....    | Spring Washer            |
| 04..... | 1486802..... | Contact                       | 27..... | 1486742.....    | Pole Piece, Left Hand    |
| 05..... | 1486844..... | Connector                     | *.....  | 1486743.....    | Pole Piece, Right Hand   |
| 06..... | 1486840..... | Contact Support               | 29..... | 1486648.....    | Arc Box Complete         |
| 07..... | 106149.....  | Contact Bolt                  | 31..... | 1486851.....    | Copper Sleeve            |
| 08..... | 1490289..... | Spring Shim                   | 33..... | 1486799.....    | Frame w/Core             |
| 09..... | 1486859..... | Moving Contact Spring         | 34..... | 1486797.....    | Upper Frame              |
| 10..... | 1486828..... | Auxiliary Bearing Bracket     | 35..... | 1486798.....    | Lower Frame              |
| 11..... | 1486820..... | Moving Contact Spring Support | 37..... | 1486833.....    | Pole Face                |
| 12..... | 288683.....  | Spring Support Bolt           | 38..... | 1486996.....    | Coil Washer              |
| 14..... | 1486695..... | Arc Switch                    | 39..... | 1437659.....    | Coil Terminal            |
| 15..... | 1486703..... | Armature Spring               | 40..... | 1486867.....    | Shunt                    |
| 16..... | 1486830..... | Adjusting Bar                 | 41..... | 1419545.....    | Operating Coil, 230 Volt |
| 17..... | 1619510..... | Adjusting Bar Screw           | 41..... | 30B4375G25..... | Operating Coil, 125 Volt |
| 20..... | 1486802..... | Contact                       | 41..... | 1419546.....    | Operating Coil, 550 Volt |
| 21..... | 106149.....  | Contact Bolt                  | 41..... | 1754375.....    | Operating Coil, 250 Volt |
| 22..... | 1486748..... | Blowout Coil Core             | 41..... | 1419544.....    | Operating Coil, 115 Volt |
| 23..... | 442007.....  | Blowout Coil Core Bolt        | *.....  | 1745057.....    | Contact Kit              |
| 24..... | 1486756..... | Insulating Tube               |         |                 |                          |

This document utilizes an interactive table of contents to help you jump from one section to another. Click the button to return to the table of contents.

**RETURN TO  
TABLE OF CONTENTS**

*DI BRAKES*

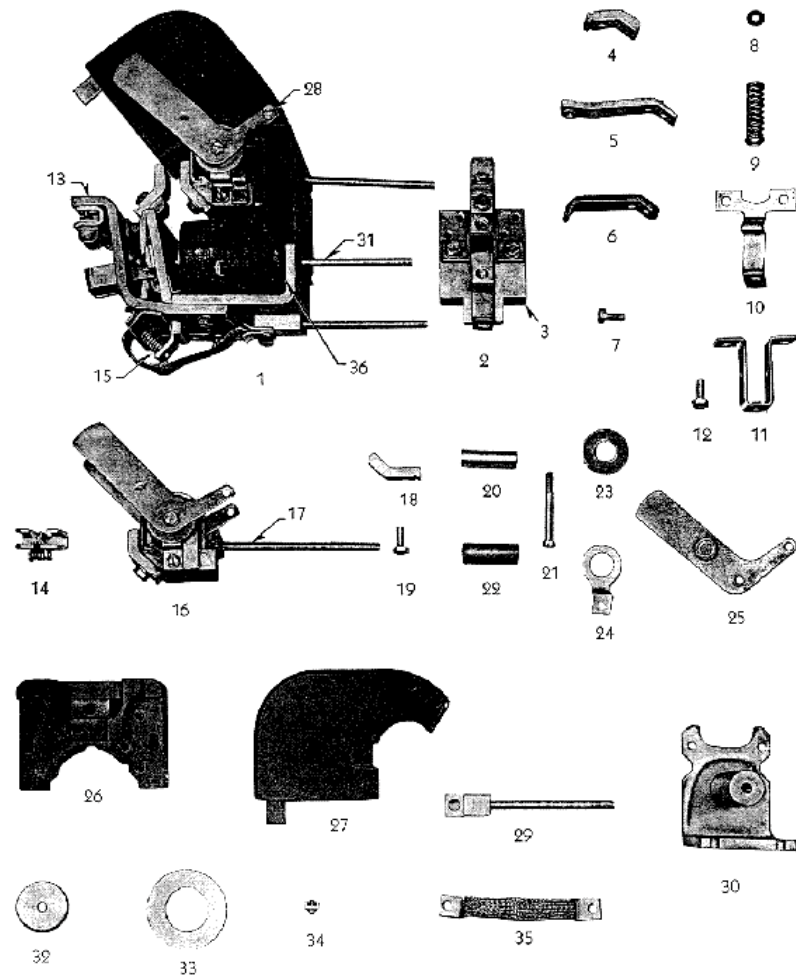
*TM BRAKES*

*CONTACTORS*

- TYPE M FRAME 301 DC MAGNETIC CONTACTOR
- TYPE M FRAME 401 DC MAGNETIC CONTACTOR
- TYPE M FRAME 501 DC MAGNETIC CONTACTOR
- TYPE M FRAME 601 DC MAGNETIC CONTACTOR
- TYPE M FRAME 701 DC MAGNETIC CONTACTOR
- TYPE MD FRAME 301 DC MAGNETIC CONTACTOR
- TYPE MD FRAME 401 DC MAGNETIC CONTACTOR
- TYPE MD FRAME 501 DC MAGNETIC CONTACTOR
- TYPE MD FRAME 601 DC MAGNETIC CONTACTOR
- TYPE MD FRAME 701 DC MAGNETIC CONTACTOR

*INDEX*

# O.C.C. REPLACEMENT PARTS FOR WESTINGHOUSE



## TYPE MD FRAME 401 DC MAGNETIC CONTACTOR

| ITM     | OEM PART     | DESCRIPTION                   | ITM     | OEM PART        | DESCRIPTION              |
|---------|--------------|-------------------------------|---------|-----------------|--------------------------|
| 02..... | 1490295..... | Armature Complete             | 24..... | 1486756.....    | Insulating Tube          |
| 03..... | 1486827..... | Bare Armature                 | 25..... | 1486760.....    | Insulating Washer        |
| 04..... | 1486802..... | Contact                       | 26..... | 1486752.....    | Spring Washer            |
| 05..... | 1486844..... | Connector                     | 27..... | 1486742.....    | Pole Piece, Left Hand    |
| 06..... | 1486840..... | Contact Support               | *       | 1486743.....    | Pole Piece, Right Hand   |
| 07..... | 106149.....  | Contact Bolt                  | 29..... | 1486648.....    | Arc Box Complete         |
| 08..... | 1490289..... | Spring Shim                   | 31..... | 1486851.....    | Copper Sleeve            |
| 09..... | 1486859..... | Moving Contact Spring         | 33..... | 1486799.....    | Frame w/Core             |
| 10..... | 1486828..... | Auxiliary Bearing Bracket     | 34..... | 1486797.....    | Upper Frame              |
| 11..... | 1486820..... | Moving Contact Spring Support | 35..... | 1486798.....    | Lower Frame              |
| 12..... | 288683.....  | Spring Support Bolt           | 37..... | 1486833.....    | Pole Face                |
| 14..... | 1486695..... | Arc Switch                    | 38..... | 1486996.....    | Coil Washer              |
| 15..... | 1486703..... | Armature Spring               | 39..... | 1437659.....    | Coil Terminal            |
| 16..... | 1486830..... | Adjusting Bar                 | 41..... | 1419545.....    | Operating Coil, 230 Volt |
| 17..... | 1619510..... | Adjusting Bar Screw           | 41..... | 30B4375G25..... | Operating Coil, 125 Volt |
| 20..... | 1486802..... | Contact                       | 41..... | 1419546.....    | Operating Coil, 550 Volt |
| 21..... | 106149.....  | Contact Bolt                  | 41..... | 1754375.....    | Operating Coil, 250 Volt |
| 22..... | 1486748..... | Blowout Coil Core             | 41..... | 1419544.....    | Operating Coil, 115 Volt |
| 23..... | 442007.....  | Blowout Coil Core Bolt        | *       | 1745057.....    | Contact Kit              |

This document utilizes an interactive table of contents to help you jump from one section to another. Click the button to return to the table of contents.

**RETURN TO  
TABLE OF CONTENTS**

*DI BRAKES*

*TM BRAKES*

*CONTACTORS*

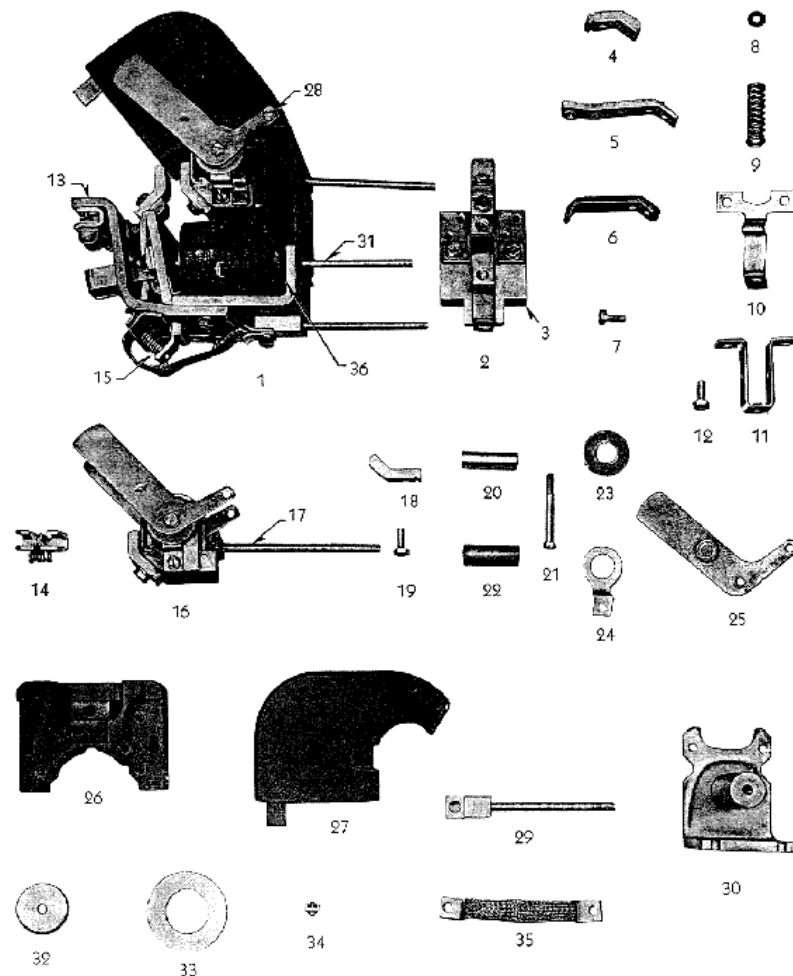
- TYPE M FRAME 301 DC MAGNETIC CONTACTOR
- TYPE M FRAME 401 DC MAGNETIC CONTACTOR
- TYPE M FRAME 501 DC MAGNETIC CONTACTOR
- TYPE M FRAME 601 DC MAGNETIC CONTACTOR
- TYPE M FRAME 701 DC MAGNETIC CONTACTOR
- TYPE MD FRAME 301 DC MAGNETIC CONTACTOR
- TYPE MD FRAME 401 DC MAGNETIC CONTACTOR
- TYPE MD FRAME 501 DC MAGNETIC CONTACTOR
- TYPE MD FRAME 601 DC MAGNETIC CONTACTOR
- TYPE MD FRAME 701 DC MAGNETIC CONTACTOR

*INDEX*



This document utilizes an interactive table of contents to help you jump from one section to another. Click the button to return to the table of contents.

**RETURN TO TABLE OF CONTENTS**



**TYPE MD FRAME 501 DC MAGNETIC CONTACTOR**

*DI BRAKES*

*TM BRAKES*

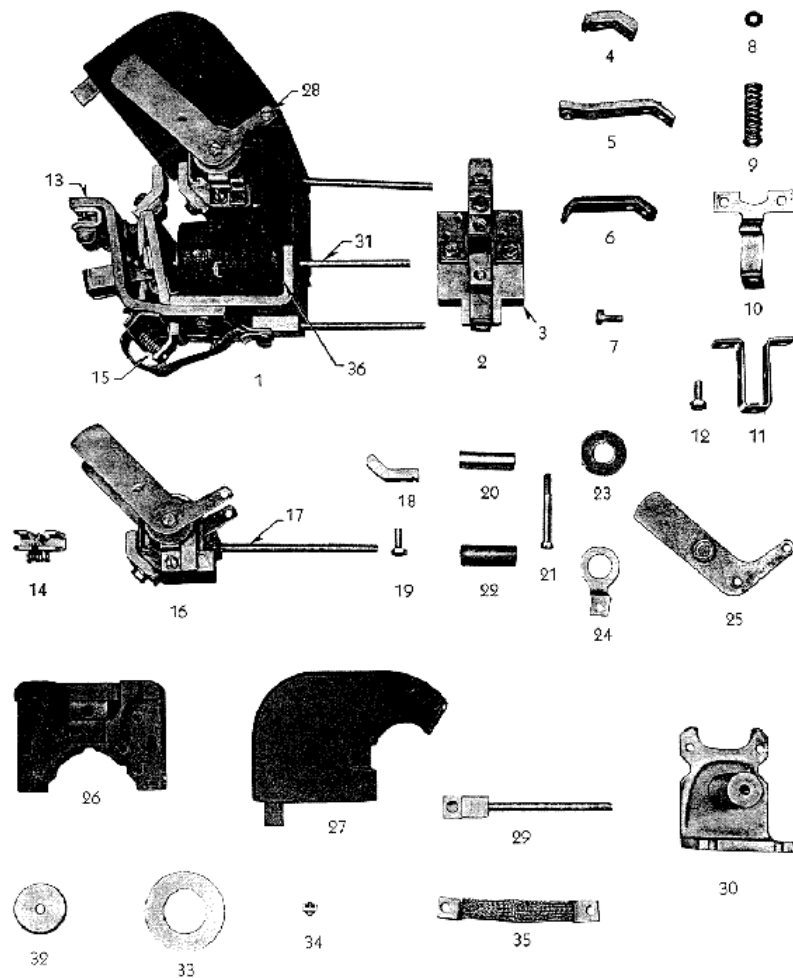
*CONTACTORS*

- TYPE M FRAME 301 DC MAGNETIC CONTACTOR
- TYPE M FRAME 401 DC MAGNETIC CONTACTOR
- TYPE M FRAME 501 DC MAGNETIC CONTACTOR
- TYPE M FRAME 601 DC MAGNETIC CONTACTOR
- TYPE M FRAME 701 DC MAGNETIC CONTACTOR
- TYPE MD FRAME 301 DC MAGNETIC CONTACTOR
- TYPE MD FRAME 401 DC MAGNETIC CONTACTOR
- TYPE MD FRAME 501 DC MAGNETIC CONTACTOR
- TYPE MD FRAME 601 DC MAGNETIC CONTACTOR
- TYPE MD FRAME 701 DC MAGNETIC CONTACTOR

*INDEX*

| ITM     | OEM PART     | DESCRIPTION                   | ITM     | OEM PART        | DESCRIPTION          |
|---------|--------------|-------------------------------|---------|-----------------|----------------------|
| 02..... | 1490301..... | Armature Complete             | 25..... | 1486761.....    | Insulating Washer    |
| 03..... | 1486929..... | Bare Armature                 | 26..... | 1486753.....    | Spring Washer        |
| 04..... | 1486803..... | Contact                       | 27..... | 1486744.....    | Pole Piece, LH       |
| 05..... | 1486945..... | Connector                     | *.....  | 1486745.....    | Pole Piece, RH       |
| 06..... | 1486941..... | Contact Support               | 29..... | 1486651.....    | Arc Box Complete     |
| 07..... | 401234.....  | Bolt                          | 31..... | 1486852.....    | Copper Sleeve        |
| 08..... | 1490290..... | Spring Shim                   | 33..... | 1486959.....    | Frame w/Core         |
| 09..... | 1486860..... | Moving Contact Spring         | 34..... | 1486957.....    | Upper Frame          |
| 10..... | 1486930..... | Aux. Bearing Bracket          | 35..... | 1486958.....    | Lower Frame          |
| 11..... | 1486937..... | Moving Contact Spring Support | 37..... | 1486834.....    | Pole Face            |
| 12..... | 318615.....  | Spring Support Bolt           | 38..... | 1486997.....    | Coil Washer          |
| 14..... | 1486695..... | Arc Switch                    | 39..... | 1437659.....    | Coil Terminal        |
| 15..... | 1486704..... | Armature Spring               | 40..... | 1486952.....    | Shunt                |
| 16..... | 1486933..... | Adjusting Bar                 | 41..... | 1419554.....    | Operating Coil, 550V |
| 17..... | 1619511..... | Adjusting Bar Screw           | 41..... | 1419552.....    | Operating Coil, 115V |
| 20..... | 1486803..... | Contact                       | 41..... | 1419553.....    | Operating Coil, 230V |
| 21..... | 401234.....  | Bolt                          | 41..... | 30B4375G24..... | Operating Coil, 125V |
| 22..... | 1486749..... | Blowout Coil Core             | 41..... | 1754376.....    | Operating Coil, 250V |
| 23..... | 441891.....  | Blowout Coil Core Bolt        | *.....  | 1745058.....    | Contact Kit          |
| 24..... | 1486757..... | Insulating Tube               |         |                 |                      |

# O.C.C. REPLACEMENT PARTS FOR WESTINGHOUSE



## TYPE MD FRAME 601 DC MAGNETIC CONTACTOR

| ITM     | OEM PART     | DESCRIPTION                   | ITM     | OEM PART        | DESCRIPTION           |
|---------|--------------|-------------------------------|---------|-----------------|-----------------------|
| 02..... | 1486928..... | Armature Complete             | 25..... | 1490236.....    | Insulating Washer     |
| 03..... | 1486917..... | Bare Armature                 | 25..... | 1486762.....    | Insulating Washer     |
| 04..... | 1486804..... | Contact                       | 26..... | 1486754.....    | Spring Washer         |
| 05..... | 1486914..... | Connector                     | 27..... | 1486746.....    | Pole Piece Left Hand  |
| 06..... | 1486911..... | Contact Support               | *.....  | 1486747.....    | Pole Piece Right Hand |
| 07..... | 289960.....  | Contact Bolt                  | 29..... | 1486654.....    | Arc Box Complete      |
| 08..... | 816395.....  | Moving Contact Spring Washer  | 31..... | 1486853.....    | Copper Sleeve         |
| 08..... | 1490291..... | Moving Contact Spring Shim    | 33..... | 1486903.....    | Frame w/Core          |
| 09..... | 1486862..... | Moving Contact Spring         | 34..... | 1496906.....    | Upper Frame           |
| 10..... | 1486918..... | Aux. Bearing Bracket          | 35..... | 1486905.....    | Lower Frame           |
| 11..... | 1486912..... | Moving Contact Spring Support | 37..... | 1625814.....    | Pole Face             |
| 12..... | 164954.....  | Spring Support Bolt           | 38..... | 1625816.....    | Coil Washer           |
| 14..... | 1486696..... | Arc Switch                    | 39..... | 1437659.....    | Coil Terminal         |
| 15..... | 1486705..... | Armature Spring               | 41..... | 1419564.....    | Coil, 115 VDC         |
| 16..... | 1486920..... | Adjusting Bar                 | 41..... | 1419565.....    | Coil                  |
| 17..... | 1619512..... | Adj. Bar Screw                | 41..... | 1419566.....    | Coil                  |
| 20..... | 1486804..... | Contact                       | 41..... | 30B4377G13..... | Coil                  |
| 21..... | 289960.....  | Contact Bolt                  | 41..... | 1754336.....    | Coil                  |
| 22..... | 968986.....  | Blowout Coil Core Bolt        | *.....  | 1745060.....    | Contact Kit           |
| 24..... | 1486758..... | Insulating Tube               |         |                 |                       |

This document utilizes an interactive table of contents to help you jump from one section to another. Click the button to return to the table of contents.

**RETURN TO  
TABLE OF CONTENTS**

*DI BRAKES*

*TM BRAKES*

*CONTACTORS*

- TYPE M FRAME 301 DC MAGNETIC CONTACTOR
- TYPE M FRAME 401 DC MAGNETIC CONTACTOR
- TYPE M FRAME 501 DC MAGNETIC CONTACTOR
- TYPE M FRAME 601 DC MAGNETIC CONTACTOR
- TYPE M FRAME 701 DC MAGNETIC CONTACTOR
- TYPE MD FRAME 301 DC MAGNETIC CONTACTOR
- TYPE MD FRAME 401 DC MAGNETIC CONTACTOR
- TYPE MD FRAME 501 DC MAGNETIC CONTACTOR
- TYPE MD FRAME 601 DC MAGNETIC CONTACTOR
- TYPE MD FRAME 701 DC MAGNETIC CONTACTOR

*INDEX*

# O.C.C. REPLACEMENT PARTS FOR WESTINGHOUSE

This document utilizes an interactive table of contents to help you jump from one section to another. Click the button to return to the table of contents.

**RETURN TO  
TABLE OF CONTENTS**

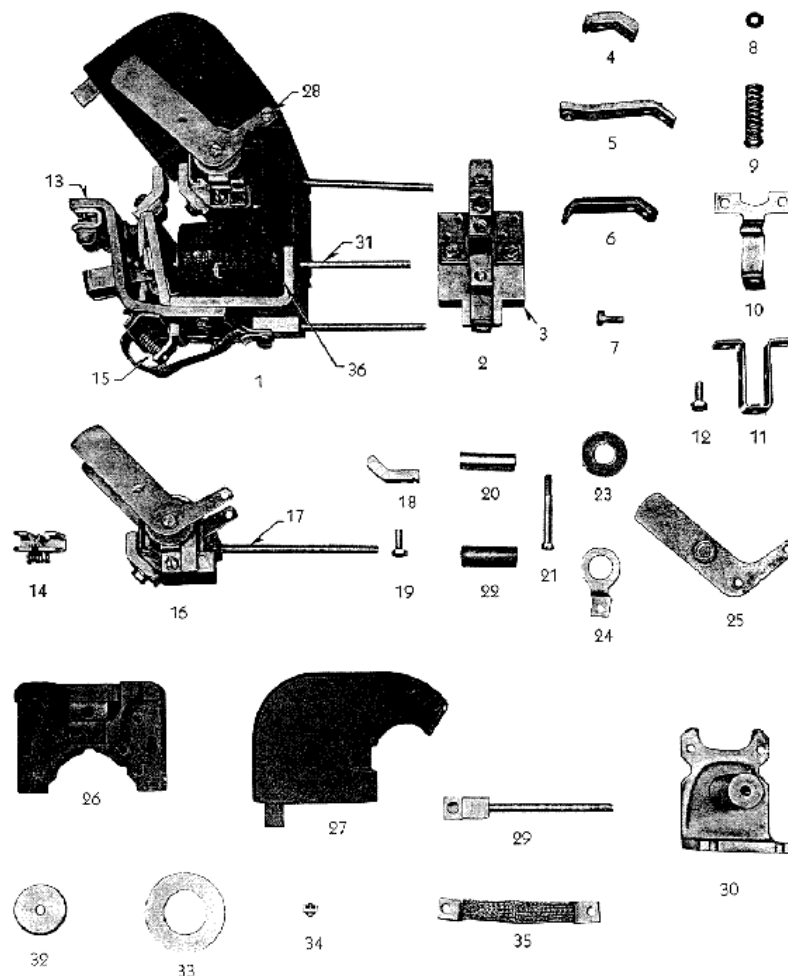
*DI BRAKES*

*TM BRAKES*

*CONTACTORS*

- TYPE M FRAME 301 DC MAGNETIC CONTACTOR
- TYPE M FRAME 401 DC MAGNETIC CONTACTOR
- TYPE M FRAME 501 DC MAGNETIC CONTACTOR
- TYPE M FRAME 601 DC MAGNETIC CONTACTOR
- TYPE M FRAME 701 DC MAGNETIC CONTACTOR
- TYPE MD FRAME 301 DC MAGNETIC CONTACTOR
- TYPE MD FRAME 401 DC MAGNETIC CONTACTOR
- TYPE MD FRAME 501 DC MAGNETIC CONTACTOR
- TYPE MD FRAME 601 DC MAGNETIC CONTACTOR
- TYPE MD FRAME 701 DC MAGNETIC CONTACTOR

*INDEX*



## TYPE MD FRAME 701 DC MAGNETIC CONTACTOR

| ITM     | OEM PART     | DESCRIPTION                   | ITM     | OEM PART        | DESCRIPTION           |
|---------|--------------|-------------------------------|---------|-----------------|-----------------------|
| 02..... | 1486928..... | Armature Complete             | 24..... | 1486758.....    | Insulating Tube       |
| 03..... | 1486917..... | Bare Armature                 | 25..... | 1490236.....    | Insulating Washer     |
| 04..... | 1486804..... | Contact                       | 25..... | 1486762.....    | Insulating Washer     |
| 05..... | 1486914..... | Connector                     | 26..... | 1486754.....    | Spring Washer         |
| 06..... | 1486911..... | Contact Support               | 27..... | 1486746.....    | Pole Piece Left Hand  |
| 07..... | 289960.....  | Contact Bolt                  | *.....  | 1486747.....    | Pole Piece Right Hand |
| 08..... | 816395.....  | Moving Contact Spring Washer  | 29..... | 1486654.....    | Arc Box Complete      |
| 08..... | 1490291..... | Moving Contact Spring Shim    | 31..... | 1486853.....    | Copper Sleeve         |
| 09..... | 1486862..... | Moving Contact Spring         | 33..... | 1486903.....    | Frame w/Core          |
| 10..... | 1486918..... | Aux. Bearing Bracket          | 35..... | 1486905.....    | Lower Frame           |
| 11..... | 1486912..... | Moving Contact Spring Support | 37..... | 1625814.....    | Pole Face             |
| 12..... | 164954.....  | Spring Support Bolt           | 38..... | 1625816.....    | Coil Washer           |
| 14..... | 1486696..... | Arc Switch                    | 39..... | 1437659.....    | Coil Terminal         |
| 15..... | 1486705..... | Armature Spring               | 40..... | 1486926.....    | Shunt                 |
| 16..... | 1486920..... | Adjusting Bar                 | 41..... | 1419564.....    | Coil, 115 VDC         |
| 17..... | 1619512..... | Adj. Bar Screw                | 41..... | 1419565.....    | Coil                  |
| 20..... | 1486804..... | Contact                       | 41..... | 1419566.....    | Coil                  |
| 21..... | 289960.....  | Contact Bolt                  | 41..... | 30B4377G13..... | Coil                  |
| 22..... | 1486750..... | Blowout Coil Core             | 41..... | 1754336.....    | Coil                  |
| 23..... | 968986.....  | Blowout Coil Core Bolt        | *.....  | 1745060.....    | Contact Kit           |

| OEM PART        | DESCRIPTION                  | OEM PART       | DESCRIPTION                    |
|-----------------|------------------------------|----------------|--------------------------------|
| 1008513.....    | Coil                         | 105117.....    | Contact Springs                |
| 1008517.....    | Coil                         | 105118.....    | Contact Terminal ST            |
| 1008520.....    | Coil                         | 105119.....    | Contact Terminal BT            |
| 1008524.....    | Coil                         | 105120.....    | Copper Guides                  |
| 1014605.....    | Coil                         | 105121.....    | Brass Contact Guides for 5 Con |
| 1014669.....    | Moving Contact               | 105510.....    | Brake Lever Guard              |
| 1014670.....    | Stationary Contact-Bent      | 106149.....    | Contact Bolt                   |
| 1016505.....    | Contact                      | 1070215-B..... | Contact                        |
| 1018526.....    | Coil                         | 1070216-B..... | Contact                        |
| 1018655.....    | Coil                         | 107218-B.....  | Contact                        |
| 1018709.....    | Support w/ Arc Horn          | 1083161.....   | Coil, 15-19 HP                 |
| 1018710.....    | Cont. Sup. w/LH B.O. Coil    | 1086852.....   | Contact                        |
| 1019122.....    | Coil                         | 1089375.....   | Segment                        |
| 1019148.....    | Coil                         | 1089550.....   | Coil                           |
| 1020931.....    | Adjustment Lever             | 1091382.....   | Coil                           |
| 1020938.....    | Mounting Base                | 110046.....    | Finger                         |
| 1020940.....    | B/O Coil Core                | 1108709.....   | B/O Coil                       |
| 1020942.....    | Adj. Screw                   | 1109465.....   | Coil                           |
| 1021071.....    | Core Complete w/Studs        | 1109710.....   | B/O Coil                       |
| 1021500.....    | Contact Screw                | 111134.....    | Term. Box                      |
| 1021501.....    | Contact Screw                | 1113623.....   | Arm Lever w/ Plate             |
| 1021948.....    | Bare Armature                | 1115392.....   | Stationary Contact without B/O |
| 1021950.....    | Bearing Bracket              | 1115654C.....  | Coil                           |
| 1021956.....    | Stationary Contact           | 1115656B.....  | Coil                           |
| 1022656.....    | Lever                        | 1115678.....   | Coil                           |
| 102A762H04..... | Hex Head Nut Stl.            | 1115678C.....  | Coil                           |
| 1032141.....    | Spring                       | 1115679A.....  | Coil                           |
| 1032181.....    | L39 Pin                      | 1115679C.....  | Coil                           |
| 1032188.....    | Spring Pin                   | 1116314.....   | Arc Horn for Stationary Cont.  |
| 1033650.....    | Lever                        | 1116978A.....  | Contact                        |
| 1033651.....    | Lever                        | 1116979.....   | Support Moving                 |
| 1033655.....    | Lever                        | 1116983A.....  | Contact                        |
| 1033656.....    | Lever                        | 1116987.....   | Arc Horn                       |
| 1033675.....    | Armature Lever w/ Plate      | 1116989.....   | Hinge for Arc Shield           |
| 1033719.....    | Coil                         | 1116990.....   | Contact                        |
| 1033735.....    | Coil                         | 11174659.....  | Support Stationary             |
| 1033737.....    | Coil                         | 1117659.....   | Coil                           |
| 1033757.....    | Coil                         | 1128183.....   | Finger Contact                 |
| 1033767.....    | Coil                         | 1128700.....   | Coil                           |
| 1033768.....    | Coil                         | 1128900.....   | Coil                           |
| 1033769.....    | Coil                         | 1129621.....   | Rivets Brass                   |
| 1033770.....    | Coil                         | 1129622.....   | Stop Rivet for Armature Plate  |
| 1033888.....    | Contact                      | 1133411.....   | Contact                        |
| 1033890.....    | Contact                      | 1133592.....   | Bracket                        |
| 1035254.....    | Shunt Holder                 | 1133593.....   | Bearing Bracket                |
| 1035255.....    | Moving Contact Hinge Pin     | 1133594.....   | Locking Bar for Armature Shaft |
| 1035256.....    | Pin                          | 1133595.....   | Armature Shaft                 |
| 1037735.....    | Coil                         | 1133596.....   | Armature Shaft                 |
| 1039650.....    | Coil                         | 1133621.....   | Armature Lever with Plate      |
| 1040451.....    | Washer                       | 1133622.....   | Armature Comp. w/out Arc Horn  |
| 1040480.....    | Washer                       | 1133623.....   | Armature Comp. with Arc Horn   |
| 1040482.....    | Washer                       | 1133624.....   | Armature Comp. w/out Arc Horn  |
| 1040483.....    | Washer                       | 1133625.....   | Arm Complete                   |
| 104213.....     | Brake Arm Adjusting Assembly | 1133627.....   | Arm                            |
| 104214.....     | Brake Arm Adjusting Assembly | 1133628.....   | Lever                          |
| 1042608.....    | Contact Support              | 1133629.....   | Armature Comp. with Arc Horn   |
| 1043245.....    | Pawl                         | 1133J93.....   | Bracket                        |
| 1043246.....    | Pawl                         | 114716.....    | Contact Bolt                   |
| 1043937.....    | Brass Yoke                   | 115059.....    | Magnetic Travel Equalizer      |
| 105112.....     | 167F Block Assembly          | 115107.....    | Equalizer Plate                |
| 105113.....     | 198F Block Assembly          | 1153953.....   | Armature                       |
| 105114.....     | Brass Pins                   | 1153954.....   | Armature Comp. w/out Arc Horn  |
| 105115.....     | Contacts                     | 1156678C.....  | Coil                           |
| 105116.....     | Contact Steel Yokes          | 1156679A.....  | Coil                           |

This document utilizes an interactive table of contents to help you jump from one section to another. Click the button to return to the table of contents.

**RETURN TO  
TABLE OF CONTENTS**

*DI BRAKES*

*TM BRAKES*

*CONTACTORS*

*INDEX*



This document utilizes an interactive table of contents to help you jump from one section to another. Click the button to return to the table of contents.

**RETURN TO  
TABLE OF CONTENTS**

*DI BRAKES*

*TM BRAKES*

*CONTACTORS*

*INDEX*

| OEM PART       | DESCRIPTION                | OEM PART      | DESCRIPTION                 |
|----------------|----------------------------|---------------|-----------------------------|
| 116508.....    | Spring for L-46            | 1257412.....  | Contact Arm                 |
| 116723.....    | Air Gap Spacer             | 1257413.....  | Contact Arm                 |
| 116724.....    | Terminal Block             | 1257417.....  | Stationary Contact          |
| 1167671.....   | Support                    | 1257418.....  | Stationary Contact          |
| 116989.....    | Hinge                      | 1257419.....  | Moving Contact              |
| 1170672.....   | Spring                     | 1257423.....  | Frame w/Core                |
| 1174659.....   | Contact Support            | 1257424.....  | Frame with Core             |
| 1174660.....   | Stationary Contact Support | 1257430.....  | Bare Armature               |
| 1186537.....   | Coil                       | 1257432.....  | Armature                    |
| 1186637.....   | Moving Contact Complete    | 1257443.....  | Arc Box Complete            |
| 1189925.....   | Contact Spring             | 1257444.....  | Stationary Contact Assembly |
| 1189926.....   | Operating Spring           | 1257445.....  | Stationary Contact Assembly |
| 1190661.....   | Contact w/Silver           | 1257446.....  | Stationary Contact Assembly |
| 1197660.....   | Connecting Rod             | 1257447.....  | Stationary Contact Assembly |
| 1197661.....   | Spring Rod                 | 1257448.....  | Moving Contact Assembly     |
| 1197662.....   | Connecting Rod             | 1257449.....  | Moving Contact Assembly     |
| 1197663.....   | Spring Rod                 | 1257454.....  | Contact Support Screw       |
| 120154.....    | Shoe Holder                | 1257455.....  | Contact Support Screw       |
| 1216259.....   | Front Arm Bushing-Upper    | 1257456.....  | Contact Support             |
| 1216260.....   | Rear Arm Bushing-Upper     | 1257462.....  | Pole Face                   |
| 1216261.....   | Arm Bushing-Lower          | 1257466.....  | Clip for Arc Box            |
| 1216262.....   | Pivot Bushing              | 1258685.....  | Moveable Contact            |
| 1216263.....   | Rod Bushing                | 1258707.....  | Contact                     |
| 1216264.....   | Base Bushing               | 1258708.....  | Contact                     |
| 1216265.....   | Base Bushing               | 1258714.....  | Shunt                       |
| 1216266.....   | Front Arm Bushing-Upper    | 1264379.....  | Coil, 550 VDC               |
| 1216267.....   | Arm Bushing-Lower          | 1264380C..... | Coil                        |
| 1216268.....   | Pivot Bushing              | 1264381.....  | Coil                        |
| 1216269.....   | Rod Bushing                | 1265168.....  | Contact                     |
| 1216270.....   | Rear Arm Bushing-Upper     | 1265912.....  | Contact                     |
| 1216271.....   | Front Arm Bushing-Upper    | 126932.....   | Finger                      |
| 1216272.....   | Arm Bushing-Lower          | 1289042.....  | Contact Spring              |
| 1216273.....   | Rear Arm Bushing-Upper     | 1289217.....  | Blowout Coil Assembly       |
| 1216274.....   | Pivot Bushing              | 1289321.....  | Coil                        |
| 1216275.....   | Rod Bushing                | 12893383..... | Coil                        |
| 1216276.....   | Bushing                    | 1289370.....  | Coil, 115 V., (Marine)      |
| 1227792D.....  | Coil                       | 1289371.....  | Coil, 230V (Marine)         |
| 1249371.....   | Coil                       | 1289372.....  | Coil, 57-1/2 V. (Marine)    |
| 1251360.....   | Coil                       | 1289373.....  | Coil, 125 V (Marine)        |
| 1252618.....   | Blowout Coil Support Stud  | 1289374C..... | Coil, 250 V (Marine)        |
| 1252664.....   | Washer                     | 1289375.....  | Coil, 115 VDC               |
| 1252665.....   | Nut                        | 1289376.....  | Coil, 230 Volt              |
| 1253102-A..... | Armature                   | 1289377.....  | Coil, 550 Volt              |
| 1253492.....   | Coil                       | 1289378.....  | Coil, 32 Volt               |
| 1253493A.....  | Coil                       | 1289379.....  | Coil, 90 Volt               |
| 1254392.....   | Brake Arm Pin-Upper        | 1289383.....  | Coil                        |
| 1254393.....   | Brake Arm Pin-Upper        | 1289395.....  | Coil                        |
| 1256529.....   | Pole Face Screw            | 1289408.....  | Coil, 240/250 VDC           |
| 1257349.....   | Base                       | 1289440.....  | Contact Spring              |
| 1257351.....   | Base                       | 1289441.....  | Kickout Spring              |
| 1257358.....   | Connector                  | 1289442.....  | Kickout Spring              |
| 1257362.....   | Connecting Stud w/Clip     | 1289444.....  | Spring                      |
| 1257366.....   | Pole Piece-Tapped          | 1289445.....  | Kickout Spring              |
| 1257367.....   | Pole Piece-Drilled         | 1289470.....  | Moving Contact Finger       |
| 1257371.....   | Core for Blowout           | 1289471.....  | Contact                     |
| 1257372.....   | Insulation Tube            | 1289982.....  | Brake Arm Pin-Upper         |
| 1257373.....   | Insulation Tube            | 1293387.....  | Stationary Contact          |
| 1257374.....   | Insulation Washer          | 1302056.....  | Bushing - Upper             |
| 1257375.....   | Finger Support-right hand  | 1302057.....  | Bushing - Lower             |
| 1257376.....   | Finger Support-left hand   | 1302059.....  | Pivot Bushing               |
| 1257380.....   | Moving Contact Finger      | 1302060.....  | Rod Bushing                 |
| 1257381.....   | Stationary Contact         | 1302061.....  | Brake Arm Pin - Upper       |
| 1257397.....   | Spring Holder              | 1302062.....  | Brake Arm Pin - Lower       |
| 1257411.....   | Base                       | 1302064.....  | Link Pin - Upper            |

| OEM PART      | DESCRIPTION               | OEM PART        | DESCRIPTION                 |
|---------------|---------------------------|-----------------|-----------------------------|
| 1302065.....  | Link Pin - Lower          | 1361388.....    | Contact Support             |
| 13033.....    | Brake Lever Pivot Pin     | 1367770.....    | Solderless Connector        |
| 1303359.....  | Bushing, Upper            | 138B571H06..... | Pin                         |
| 1303360.....  | Bushing, Lower            | 138B571H07..... | Pin                         |
| 1303361.....  | Bushing, Upper            | 1397917.....    | Armature Complete           |
| 1303362.....  | Pivot Bushing             | 1397918.....    | Armature Stop               |
| 1303363.....  | Rod Bushing               | 1397932.....    | Base Bushing                |
| 1303364.....  | Bushing                   | 1397933.....    | Base Bushing                |
| 1303365.....  | Connecting Rod Pin        | 1397939.....    | Brake Lever                 |
| 1303366.....  | Brake Lever Pivot Pin     | 1397940.....    | Brake Arm, Front            |
| 1303366.....  | Brake Arm Pin, Lower      | 1397941.....    | Brake Arm-Rear              |
| 1303367.....  | Link Pin, Upper           | 1397945.....    | Brake Arm, Front            |
| 1303368.....  | Link Pin, Lower           | 1397946.....    | Brake Arm, Rear             |
| 1303369.....  | Spring Rod Pin            | 1397947.....    | Brake Lever                 |
| 1303371.....  | Brake Arm Pin, Upper      | 1397948.....    | Brake Arm-Front             |
| 1303449.....  | Brake Lever Pivot Pin     | 1397949.....    | Brake Arm-Rear              |
| 1303450.....  | Brake Arm Pin-Lower       | 1397950.....    | Brake Lever                 |
| 1303451.....  | Connecting Rod Pin        | 1397951.....    | Brake Arm-Front             |
| 1303452.....  | Pin                       | 1397952.....    | Brake Arm-Rear              |
| 1303453.....  | Rod Pin                   | 1397953.....    | Brake Lever                 |
| 1303454.....  | Link Pin-Upper            | 1397954.....    | Brake Arm-Front             |
| 1303455.....  | Link Pin-Lower            | 1397955.....    | Brake Arm-Rear              |
| 1303456.....  | Link Pin-Lower            | 1397956.....    | Brake Lever                 |
| 1303457.....  | Link Pin-Upper            | 1397957.....    | Brake Arm - Front           |
| 1303489.....  | Connecting Rod Pin        | 1397959.....    | Brake Lever                 |
| 130416.....   | Brake Rod                 | 1397960.....    | Brake Arm-Front             |
| 130418.....   | Shaft                     | 1397961.....    | Brake Arm-Rear              |
| 1305454.....  | Pin                       | 1397962.....    | Brake Lever                 |
| 1310486.....  | Contact                   | 1397969.....    | Front Arm Bushing-Upper     |
| 131060.....   | Coil                      | 1397970.....    | Arm Bushing-Lower           |
| 1311807.....  | Coil                      | 1397971.....    | Rear Arm Bushing-Upper      |
| 1311834.....  | Coil                      | 1397972.....    | Rod Bushing                 |
| 1311846.....  | Coil, 375 V. (Marine)     | 1397973.....    | Pivot Bushing               |
| 1312724.....  | Brake Lever Pivot Pin     | 1397974.....    | Front Arm Bushing-Upper     |
| 1312725.....  | Brake Arm Pin-Lower       | 1397975.....    | Arm Bushing-Lower           |
| 1312726.....  | Hand Release Rod Pin      | 1397976.....    | Rear Arm Bushing-Upper      |
| 1312727.....  | Connecting Rod Pin        | 1397977.....    | Pivot Bushing               |
| 1312728.....  | Link Pin-Upper            | 1397978.....    | Rod Bushing                 |
| 1312729.....  | Link Pin-Lower            | 1397987.....    | Brake Arm Pin-Lower         |
| 1312809.....  | Bushing                   | 1397988.....    | Rod Pin                     |
| 1312817.....  | Hand Release Rod Pin      | 1397989.....    | Brake Lever Pivot Pin       |
| 1315355.....  | Coil                      | 1397993.....    | Brake Arm Pin-Upper         |
| 1320622.....  | Coil, 65 Volt             | 1397995.....    | Brake Arm Pin-Upper         |
| 1320623C..... | Coil                      | 1399361.....    | Coil                        |
| 1320631C..... | Coil                      | 13D8060H13..... | Main Spring-Outer           |
| 1331782.....  | Armature Stop             | 13D8060H14..... | Main Spring-Inner           |
| 1332863.....  | Contact                   | 140137.....     | Link                        |
| 133767.....   | Segment                   | 140143.....     | Spacer, Armature            |
| 133768.....   | Segment                   | 1401543.....    | Cable                       |
| 133770.....   | Segment                   | 1405080.....    | Finger                      |
| 133771.....   | Segment                   | 1406315.....    | Finger                      |
| 133772.....   | Segment                   | 1406489.....    | Coil                        |
| 1344024.....  | Coil, 440 Volt (Marine)   | 1406550.....    | Contact                     |
| 1355076.....  | Stationary Contact Screw  | 1406655.....    | Contact                     |
| 1355268.....  | Blowout Coil Support Stud | 1406910.....    | Coil                        |
| 1358028.....  | Contact Spring            | 141051.....     | Link                        |
| 1358029.....  | Moving Contact            | 141052.....     | Link                        |
| 1358043.....  | Coil, 36 Volt             | 1419437.....    | Stationary Contact Complete |
| 1358081.....  | Coil, 600 Volt            | 1419438.....    | Stationary Contact Complete |
| 1358145.....  | Moveable Aux Contacts     | 1419532.....    | Coil                        |
| 1358147.....  | Moving Contact Assembly   | 1419539.....    | Coil - 115, Volt            |
| 1358148.....  | Moving Contact Assembly   | 1419540.....    | Coil - 230, Volt            |
| 1358433.....  | Coil                      | 1419541.....    | Coil - 550, Volt            |
| 135898.....   | Segment                   | 1419544.....    | Operating Coil, 115 Volt    |

This document utilizes an interactive table of contents to help you jump from one section to another. Click the button to return to the table of contents.

**RETURN TO  
TABLE OF CONTENTS**

*DI BRAKES*

*TM BRAKES*

*CONTACTORS*

*INDEX*

This document utilizes an interactive table of contents to help you jump from one section to another. Click the button to return to the table of contents.

**RETURN TO  
TABLE OF CONTENTS**

*DI BRAKES*

*TM BRAKES*

*CONTACTORS*

*INDEX*

| OEM PART      | DESCRIPTION                   | OEM PART     | DESCRIPTION                       |
|---------------|-------------------------------|--------------|-----------------------------------|
| 1419545.....  | Operating Coil, 230 Volt      | 1486742..... | Pole Piece, Left Hand             |
| 1419546.....  | Operating Coil, 550 Volt      | 1486743..... | Pole Piece, Right Hand            |
| 1419547.....  | Coil - 115, Volt              | 1486744..... | Pole Piece, LH                    |
| 1419548.....  | Coil, 230VDC                  | 1486745..... | Pole Piece, RH                    |
| 1419549.....  | Coil - 550, Volt              | 1486746..... | Pole Piece Left Hand              |
| 1419552.....  | Operating Coil, 115Volt       | 1486747..... | Pole Piece Right Hand             |
| 1419553.....  | Operating Coil, 230Volt       | 1486748..... | Blowout Coil Core                 |
| 1419554.....  | Operating Coil, 550Volt       | 1486749..... | Blowout Coil Core                 |
| 1419561.....  | Operating Coil, 115 Volt      | 1486750..... | Blowout Coil Core                 |
| 1419562.....  | Operating Coil, 230 Volt      | 1486751..... | Blowout Coil Core                 |
| 1419563.....  | Operating Coil, 550 Volt      | 1486752..... | Spring Washer                     |
| 1419564.....  | Coil, 115 VDC                 | 1486753..... | Spring Washer                     |
| 1419565.....  | Coil                          | 1486754..... | Spring Washer                     |
| 1419566.....  | Coil                          | 1486755..... | Spring Washer                     |
| 1419567.....  | Coil                          | 1486756..... | Insulating Tube                   |
| 1419J32C..... | Coil                          | 1486757..... | Insulating Tube                   |
| 142825.....   | Segment                       | 1486758..... | Insulating Tube                   |
| 142826.....   | Segment                       | 1486759..... | Insulating Tube                   |
| 1437659.....  | Coil Terminal                 | 1486760..... | Insulating Washer                 |
| 1437663.....  | Plate                         | 1486761..... | Insulating Washer                 |
| 1437666.....  | Front Stat. Contact-Straight  | 1486762..... | Insulating Washer                 |
| 1437667.....  | Moving Contact                | 1486763..... | Insulating Washer                 |
| 1437670.....  | Push Rod                      | 1486767..... | Blowout Coil                      |
| 1438443.....  | Coil                          | 1486774..... | Blowout Coil                      |
| 1439190.....  | Link Pin-Upper                | 1486780..... | Blowout Coil                      |
| 1439191.....  | Link Pin-Lower                | 1486784..... | Stationary Contact w/Blowout Coil |
| 1440809.....  | Coil                          | 1486785..... | Stationary Contact W/BO Coil      |
| 1441003.....  | Coil                          | 1486797..... | Upper Frame                       |
| 1447076.....  | Cable                         | 1486798..... | Lower Frame                       |
| 1447664.....  | Coil                          | 1486799..... | Frame w/Core                      |
| 1449819.....  | Arc Box Retaining Bolt        | 1486801..... | Frame w/Core                      |
| 1449955.....  | Moving Contact Spring Washer  | 1486802..... | Contact                           |
| 1449957.....  | Arc Box Retaining Bolt        | 1486803..... | Contact                           |
| 1449960.....  | Arc Box Retaining Bolt        | 1486804..... | Contact                           |
| 1450521.....  | Spring Rod Pin                | 1486805..... | Contact                           |
| 1450522.....  | Brake Arm Pin-Upper           | 1486809..... | Shunt Stud                        |
| 1450523.....  | Brake Arm Pin-Lower           | 1486810..... | Shunt Stud                        |
| 1450524.....  | Brake Lever Pivot Pin         | 1486811..... | Shunt                             |
| 1464827.....  | Contact                       | 1486812..... | Shunt                             |
| 1470201.....  | Coil                          | 1486818..... | Aux. Bearing Bracket              |
| 1470201B..... | Coil                          | 1486820..... | Moving Contact Spring Support     |
| 1470203B..... | Coil                          | 1486820..... | Moving Contact Spring Support     |
| 1470241E..... | Coil                          | 1486821..... | Bare Armature                     |
| 1470243B..... | Coil                          | 1486827..... | Bare Armature                     |
| 1486046.....  | Contact                       | 1486828..... | Auxiliary Bearing Bracket         |
| 1486648.....  | Arc Box Complete              | 1486830..... | Adjusting Bar                     |
| 1486651.....  | Arc Box Complete              | 1486833..... | Pole Face                         |
| 1486654.....  | Arc Box Complete              | 1486834..... | Pole Face                         |
| 1486681.....  | Interlock Comp.-Front Mounted | 1486840..... | Contact Support                   |
| 1486682.....  | Interlock Comp.-Side Mounted  | 1486844..... | Connector                         |
| 1486688.....  | Base                          | 1486845..... | Shunt Stud                        |
| 1486689.....  | Base                          | 1486846..... | Shunt Stud                        |
| 1486690.....  | Base                          | 1486847..... | Connector Shunt                   |
| 1486695.....  | Arc Switch                    | 1486848..... | Shunt                             |
| 1486696.....  | Arc Switch                    | 1486851..... | Copper Sleeve                     |
| 1486697.....  | Spring                        | 1486852..... | Copper Sleeve                     |
| 1486698.....  | Spring                        | 1486853..... | Copper Sleeve                     |
| 1486699.....  | Armature Kickout Spring       | 1486854..... | Spring                            |
| 1486700.....  | Armature Kickout Spring       | 1486855..... | Moving Contact Spring             |
| 1486701.....  | Armature Kickout Spring       | 1486857..... | Moving Contact Spring             |
| 1486702.....  | Armature Kickout Spring       | 1486859..... | Moving Contact Spring             |
| 1486703.....  | Armature Spring               | 1486860..... | Moving Contact Spring             |
| 1486704.....  | Armature Spring               | 1486862..... | Moving Contact Spring             |
| 1486705.....  | Armature Spring               | 1486865..... | Shunt Stud                        |

| OEM PART | DESCRIPTION                        | OEM PART   | DESCRIPTION                  |
|----------|------------------------------------|------------|------------------------------|
| 1486867  | Shunt                              | 1490299    | Stationary Contact w/BO Coil |
| 1486886  | Blowout Coil                       | 1490301    | Armature Complete            |
| 1486889  | Blowout Coil                       | 1490306    | Contact-U-shaped             |
| 1486896  | Frame With Core                    | 1490329    | Arc Switch                   |
| 1486903  | Frame w/Core                       | 1490331    | Arc Box Complete             |
| 1486905  | Lower Frame                        | 1490640    | Coil, 115 Volt               |
| 1486908  | Auxiliary Bearing Bracket          | 1490641    | Coil, 230 Volt               |
| 1486911  | Contact Support                    | 1490645    | Coil                         |
| 1486912  | Moving Contact Spring Support      | 1490646    | Coil, 110 V 60 Cyc., Size 2  |
| 1486913  | Bare Armature                      | 1494537    | Contact                      |
| 1486914  | Connector                          | 1494549    | Link Pin-Upper               |
| 1486916  | Armature Complete                  | 1494552    | Segment                      |
| 1486917  | Bare Armature                      | 1494553    | Segment                      |
| 1486918  | Aux. Bearing Bracket               | 1496317    | Link Pin-Lower               |
| 1486920  | Adjusting Bar                      | 1496318    | Base                         |
| 1486923  | Shunt Stud                         | 1496364    | Base                         |
| 1486926  | Shunt                              | 1496813    | Base                         |
| 1486928  | Armature Complete                  | 1496814    | Base                         |
| 1486929  | Bare Armature                      | 1496816    | Base                         |
| 1486930  | Aux. Bearing Bracket               | 1496818    | Base                         |
| 1486933  | Adjusting Bar                      | 1496819    | Base                         |
| 1486935  | Auxiliary Bearing Bracket          | 1496906    | Upper Frame                  |
| 1486937  | Moving Contact Spring Support      | 1502994    | Contact w/ B.O.              |
| 1486938  | Bare Armature                      | 1502995    | Moving Contact Complete w/BO |
| 1486941  | Contact Support                    | 152442     | Grommet                      |
| 1486945  | Connector                          | 1527304    | Segment                      |
| 1486946  | Shunt                              | 1528363    | Contact                      |
| 1486947  | Shunt Stud                         | 1530722    | Contact                      |
| 1486951  | Shunt Stud                         | 1530723    | Connector                    |
| 1486952  | Shunt                              | 154736     | Finger                       |
| 1486954  | Insulating Washer, Large           | 154895     | Tips                         |
| 1486957  | Upper Frame                        | 1558146    | Contact                      |
| 1486958  | Lower Frame                        | 1572694    | Shunt                        |
| 1486959  | Frame w/Core                       | 1572799    | Contact                      |
| 1486965  | Frame w/Core                       | 1572800    | Contact                      |
| 1486970  | M310 Contactor - Rear Connected    | 1574908    | Starwheel Snap Ring          |
| 1486972  | M410 Contactor - Rear Contactor    | 1575194    | Pawl Snap Ring               |
| 1486974  | M510 Contactor - Rear Connected    | 1579035    | Segment                      |
| 1486982  | Mechanical Parts-Rear Connected    | 158057     | Contact                      |
| 1486996  | Coil Washer                        | 1585821    | Coil                         |
| 1486997  | Coil Washer                        | 1593420    | Spring                       |
| 1486999  | Coil Washer                        | 1600763    | Coil, 125 VDC                |
| 1490221  | M-501 Contactor                    | 1600777C   | Coil                         |
| 1490225  | M310 Contactor - Front Connected   | 1600826    | Spring                       |
| 1490226  | M410 Contactor - Front Connected   | 1600857    | Coil                         |
| 1490227  | M510 Contactor                     | 1603019    | Connecting Stud-Shunt        |
| 1490228  | M610 Contactor                     | 1603364    | Groove Pin                   |
| 1490229  | M-301 Contactor                    | 1603426    | Brake Shoe Pivot Bolt        |
| 1490231  | M501 Contactor, Front Connected    | 1603476    | Brass Rivet                  |
| 1490232  | Mechanical Parts - Front Connected | 160P283H01 | Name Plate                   |
| 1490236  | Insulating Washer                  | 1619510    | Adjusting Bar Screw          |
| 1490252  | Pole Piece - Left Hand             | 1619511    | Adjusting Bar Screw          |
| 1490253  | Pole Piece - Right Hand            | 1619512    | Adj. Bar Screw               |
| 1490262  | Aux. Bearing Bracket               | 1620041    | Contact Kit                  |
| 1490264  | Moving Contact Spring Support      | 1620042    | Contact Kit                  |
| 1490267  | Contact Support                    | 1620158    | Stop Mechanism S             |
| 1490271  | Shunt                              | 1622924    | Coil, 550 Volt               |
| 1490286  | Armature Complete                  | 1624145    | Knob                         |
| 1490287  | Stationary Contact w/Blowout Coil  | 1625250    | Coil                         |
| 1490288  | Stationary Contact w/Blowout Coil  | 1625677    | Coil                         |
| 1490289  | Spring Shim                        | 1625682    | Coil                         |
| 1490290  | Spring Shim                        | 1625791    | Frame with Core              |
| 1490291  | Moving Contact Spring Shim         | 1625795    | Connector                    |
| 1490295  | Armature Complete                  | 1625796    | Shunt Connector              |
| 1490298  | Armature Complete                  | 1625797    | Stationary Contact           |

This document utilizes an interactive table of contents to help you jump from one section to another. Click the button to return to the table of contents.

**RETURN TO  
TABLE OF CONTENTS**

*DI BRAKES*

*TM BRAKES*

*CONTACTORS*

*INDEX*



This document utilizes an interactive table of contents to help you jump from one section to another. Click the button to return to the table of contents.

**RETURN TO  
TABLE OF CONTENTS**

*DI BRAKES*

*TM BRAKES*

*CONTACTORS*

*INDEX*

| OEM PART  | DESCRIPTION                       | OEM PART    | DESCRIPTION                       |
|-----------|-----------------------------------|-------------|-----------------------------------|
| 1625797   | Moving Contact                    | 1660775     | Base, RH                          |
| 1625798   | Contact Spring                    | 1660776     | Base, LH                          |
| 1625799   | Armature Complete                 | 1660778     | Adjusting Plate                   |
| 1625808   | Mechanical Parts - Rear Connected | 1660780     | Armature Bar Assembly             |
| 1625814   | Pole Face                         | 1660781     | Operating Spring                  |
| 1625815   | Bare Armature                     | 1660782     | Spring                            |
| 1625816   | Coil Washer                       | 1660783     | Return Spring                     |
| 1625818   | Front Stationary Contact-Bent     | 1660784     | Spring                            |
| 1625823   | Silver Contact Tip                | 1660785     | Spacer                            |
| 1626159-B | Contact                           | 1660786     | Insulating Spacer                 |
| 1626573   | Lower Gear Housing                | 1660789     | Spring Seat, Upper                |
| 1626618   | Upper Bearing Housing             | 1660790     | Spring Seat, Lower                |
| 1626619   | Bearing                           | 16C2326H01  | Main Spring Seat-Lower            |
| 1626620   | Starwheel, 15 Teeth               | 16C2326H02  | Main Spring Seat-Upper            |
| 1626621   | Gear                              | 16C2327H01  | Main Spring Adjusting Bushing     |
| 1626622   | Pinion Gear                       | 16C7672602  | Pawl Assembly                     |
| 1626810   | Coil, 250 Volt                    | 16C9854H06  | Short Lever                       |
| 1628806   | Stationary Contact w/Blowout Coil | 171218      | Contact                           |
| 1628808   | Blowout Coil                      | 171218-A    | Contact                           |
| 1628818   | Bare Armature                     | 171532      | Contact                           |
| 1628833   | Coil, 250 VDC                     | 171533      | Contact                           |
| 1633962   | Contact                           | 1717261     | Contact                           |
| 1647430   | Carbon Contact                    | 1720611     | Coil, 102 V 60 Cy                 |
| 164954    | Spring Support Bolt               | 1735553     | Contact                           |
| 1655312   | Coil, Shunt                       | 1745037     | Armature Stop Complete            |
| 1655319   | Coil                              | 1745038     | Armature Stop Complete            |
| 1656956   | Centering Spring                  | 1745039     | Armature Stop Complete            |
| 1658764   | Channel {2-6 Circuits}            | 1745040     | Armature Stop Complete            |
| 1658766   | Channel {7-8 Circuits}            | 1745041     | Armature Stop Complete            |
| 1658769   | Channel {9-11 Circuits}           | 1745044     | Armature Stop Complete            |
| 1658772   | Channel {12-14 Circuits}          | 1745045     | Armature Spring Bracket, Complete |
| 1658777   | Base, 2-6 Circuits                | 1745047     | Armature Spring Bracket Comp.     |
| 1658779   | Base, 7-8 Circuits                | 1745048     | Armature Spring Bracket Complete  |
| 1658790   | Shaft {2-6 Circuits}              | 1745050     | Contact Kit                       |
| 1658792   | Shaft {7-8 Circuits}              | 1745051     | Contact Kit                       |
| 1658795   | Shaft {9-11 Circuits}             | 1745052     | Contact Kit, M-610                |
| 1658798   | Shaft {12-14 Circuits}            | 1745053     | Contact Kit                       |
| 1658816   | Shaft {2-6 Circuits} S            | 1745056     | Contact Kit                       |
| 1658818   | Shaft {7-8 Circuits} S            | 1745057     | Contact Kit                       |
| 1658821   | Shaft {9-11 Circuits} S           | 1745058     | Contact Kit                       |
| 1658824   | Shaft {12-14 Circuits} S          | 1745060     | Contact Kit                       |
| 1658830   | Return Spring S                   | 1745080     | Rear Stat. Contact-Bent           |
| 1658834   | Gear Shaft Assembly               | 1745829     | Coil                              |
| 1658835   | Handle {1-3 Position}             | 1745844     | Coil                              |
| 1658836   | Handle {4 Position}               | 1745845     | Coil                              |
| 1658853   | Lower Bearing Housing             | 1745846     | Coil                              |
| 1660726   | Lever Bar                         | 1745847     | Coil                              |
| 1660727   | Shading Coil                      | 1745850C    | Coil                              |
| 1660730   | Coil Support                      | 1747587     | Shunt                             |
| 1660731   | Bushing                           | 1754302     | Coil                              |
| 1660749   | Magnet Core, Stationary           | 1754303B    | Coil                              |
| 1660750   | Magnet Core, Moving               | 1754322     | Coil, 250 VDC M-510               |
| 1660751   | Adjusting Plug                    | 1754336     | Coil                              |
| 1660753   | Washer                            | 1754338     | Coil, 250 VDC                     |
| 1660761   | Pin                               | 1754345     | Coil                              |
| 1660762   | Brake Arm Pivot Pin               | 1754356     | Coil                              |
| 1660763   | Brake Arm Linkage Pin             | 1754375     | Operating Coil, 250 Volt          |
| 1660766   | Spring Pin, Upper                 | 1754376     | Operating Coil, 250 Volt          |
| 1660767   | Spring Pin, Lower                 | 1765874     | Contact                           |
| 1660768   | Brake Arm Stop Pin                | 176A147-A01 | Contact                           |
| 1660771   | Lining                            | 176A561HO1  | Contact                           |
| 1660772   | Brake Shoe w/Linings              | 177069      | Contact                           |
| 1660773   | Brake Arm, Magnet End             | 177070      | Contact                           |
| 1660774   | Brake Arm                         | 1776002     | Stop Pin S                        |

| OEM PART        | DESCRIPTION                  | OEM PART        | DESCRIPTION                  |
|-----------------|------------------------------|-----------------|------------------------------|
| 1776003.....    | Insulating Spacer - Small    | 220489.....     | Contact                      |
| 1776004.....    | Insulating Spacer - Large    | 220490.....     | Contact                      |
| 1776005.....    | Handle {5-6 Position}        | 2247C08H01..... | Pin                          |
| 1776009.....    | Shaft                        | 2247C08H02..... | Pin                          |
| 177613A.....    | Coil                         | 2247C08H03..... | Pin                          |
| 1777604.....    | Ream Bolt                    | 2247C08H04..... | Pin                          |
| 1777663.....    | Coil                         | 2247C08H05..... | Pin                          |
| 1777664.....    | Coil                         | 2247C08H06..... | Pin                          |
| 1777681.....    | Adj. Spindle Assembly        | 2247C08H07..... | Pin                          |
| 1777688.....    | Coil                         | 2247C08H08..... | Pin                          |
| 1777689.....    | Coil                         | 2247C08H09..... | Pin                          |
| 1777693.....    | Coil                         | 2247C08H10..... | Pin                          |
| 1777694.....    | Coil                         | 2247C08H11..... | Pin                          |
| 1777695.....    | Coil                         | 2247C08H12..... | Pin                          |
| 1777696.....    | Coil                         | 2247C08H14..... | Pin                          |
| 1777699.....    | Coil                         | 2247C08H16..... | Pin                          |
| 1777700.....    | Coil                         | 2247C08H18..... | Pin                          |
| 177A119HO1..... | Contact                      | 2247C08H20..... | Pin                          |
| 1780418G.....   | Coil                         | 2247C09H01..... | Lever                        |
| 1780419.....    | Coil                         | 2247C09H02..... | Lever                        |
| 1781473.....    | Bushing-Magnet End           | 2247C09H03..... | Lever                        |
| 1782621.....    | Clapper Spring               | 2247C09H04..... | Lever                        |
| 178430.....     | Crimped Washer               | 2254C27G01..... | Shoe Outer                   |
| 178623.....     | Contact                      | 2254C27G02..... | Shoe Outer                   |
| 178791.....     | Stat. Contact-Same as Moving | 2254C27G03..... | Shoe Outer                   |
| 179543.....     | Contact                      | 2254C27G04..... | Shoe Outer                   |
| 1797886.....    | Rivets                       | 2254C28G01..... | Shoe Inner                   |
| 1815197.....    | Coil                         | 2254C28G02..... | Shoe Inner                   |
| 1815198.....    | Coil                         | 2254C28G03..... | Shoe Inner                   |
| 1817024.....    | Coil                         | 2254C28G04..... | Shoe Inner                   |
| 1817025.....    | Coil                         | 2256C33H01..... | Star Wheel                   |
| 1818241.....    | Arc Barrier                  | 2256C33H02..... | Star Wheel                   |
| 1823914.....    | Mounting Stud                | 2257C99H01..... | Star Wheel                   |
| 184665.....     | Contact                      | 2257C99H02..... | Lever                        |
| 18A8907G86..... | Contact Kit                  | 2257C99H03..... | Lever                        |
| 193778.....     | Coil                         | 2257C99H04..... | Lever                        |
| 196246.....     | Contact                      | 22C3805H01..... | Magnet Housing Sleeve        |
| 1A16688H08..... | Disc Lock Washer (pair)      | 22C4191G13..... | Coil                         |
| 1A16689H05..... | Spherical Washer (pair)      | 22C7169H01..... | Rack Cap                     |
| 200041.....     | Slotted Hex Nut              | 23D7507H13..... | Adjusting Spring             |
| 200056.....     | Jam Nut                      | 240049.....     | Spring, Brake Rod            |
| 201279.....     | Segment                      | 24D1598G01..... | Steel Pin with Snap Ring     |
| 201280.....     | Segment                      | 24D5096H11..... | Spring                       |
| 201281.....     | Segment                      | 24D5181H01..... | Spring Seat-For Above        |
| 204141.....     | Shunt                        | 24D5926H03..... | Brake Arm Spring             |
| 204142.....     | Shunt                        | 24D6387G01..... | Bolt                         |
| 2043A69H03..... | Spring                       | 24D6387G02..... | Bolt                         |
| 2050A14G05..... | Coil, 110/120 Volts, 60 Hz   | 24D6387G03..... | Bolt                         |
| 2066A10G11..... | Contact Kit                  | 24D6387G04..... | Bolt                         |
| 2085A26G09..... | Resistor                     | 254755.....     | Finger                       |
| 208A560H05..... | Insulation Washer            | 256922.....     | Contact                      |
| 209A460H01..... | Return Spring SI             | 256956.....     | Contact                      |
| 210063.....     | Bolt, Shoe Holder Pivot      | 256956-S.....   | Contact                      |
| 210092.....     | Bolt, Shoe Holder            | 25A1622G04..... | Armature Complete            |
| 210100.....     | Cap Screw                    | 25A1639G01..... | Armature Stop Complete       |
| 210244.....     | Bolt, Armature               | 25A1649G05..... | Armature Kit                 |
| 216291.....     | Segment                      | 25A1654G03..... | Shunt                        |
| 216292.....     | Shunt                        | 25A1655G04..... | Armature Kit                 |
| 2184A10G09..... | Arc Box Complete             | 25A1660G01..... | Stationary Contact w/Blowout |
| 2184A10G14..... | Contact Kit                  | 25A1677G05..... | Arc Box                      |
| 21C2698G13..... | Coil                         | 25B1022C1.....  | Brake Shoe 8                 |
| 21C2698G28..... | Coil                         | 25B9457G05..... | Brake Arm-Magnet End         |
| 220035.....     | Belleville Washer            | 25B9457G06..... | Brake Arm-Opp. Magnet End    |
| 220083.....     | Belleville Washer            |                 |                              |

This document utilizes an interactive table of contents to help you jump from one section to another. Click the button to return to the table of contents.

**RETURN TO  
TABLE OF CONTENTS**

*DI BRAKES*

*TM BRAKES*

*CONTACTORS*

*INDEX*

This document utilizes an interactive table of contents to help you jump from one section to another. Click the button to return to the table of contents.

**RETURN TO  
TABLE OF CONTENTS**

*DI BRAKES*

*TM BRAKES*

*CONTACTORS*

*INDEX*

| OEM PART   | DESCRIPTION                    | OEM PART   | DESCRIPTION                  |
|------------|--------------------------------|------------|------------------------------|
| 25B9458H04 | Pin-For Above-Lower            | 29B5373H11 | Link Pin-Upper               |
| 25B9458H05 | Pin-Brake Arm Spring-Upper     | 29B5375G01 | Rack Assembly                |
| 25B9458H09 | Brake Arm Pivot Bolt           | 29B5375H07 | Clutch Block                 |
| 25B9458H10 | Brake Arm Pin-Opp. Magnet End  | 29D0886H13 | Spacer                       |
| 25B9458H11 | Hinge Pin-Brake Arm Magnet End | 29D0885H12 | Spacer                       |
| 25B9458H14 | Hinge Block, Lower             | 29D0886H01 | Spacer                       |
| 25B9458HO1 | Brake Arm Pin                  | 29D0886H04 | Spacer                       |
| 25B9459G01 | Brake Shoe w/Lining            | 29D0886H05 | Spacer                       |
| 25B9459H02 | Lining                         | 29D0886H12 | Spacer                       |
| 26D2610G14 | Contact Kit                    | 29D0886H13 | Spacer                       |
| 26D2610G15 | Single Pole Contact Kit        | 29D0886H75 | Spacer                       |
| 26D2610G16 | Contact Kit                    | 301020     | Arcing Contact               |
| 26D2610G18 | Contact Kit                    | 3022131    | Coil                         |
| 26D2610G20 | Contact Kit                    | 302934     | Insulating Tube for B/O Coil |
| 26D2610G21 | Contact Kit                    | 302B708G02 | Shunt                        |
| 26D2610G22 | Contact Kit, Single Pole       | 303701     | Coil                         |
| 26D2610G23 | Contact Kit                    | 303702     | Coil                         |
| 26D2610G24 | Contact Kit                    | 30B3356G01 | Clutch Assembly              |
| 2735875    | Coil                           | 30B3356G02 | Housing Assembly             |
| 2738538    | Coil                           | 30B3356G03 | Clutch and Housing Assembly  |
| 2738567    | Coil                           | 30B4375G04 | Coil, 115 VDC                |
| 2738573    | Coil                           | 30B4375G05 | Coil, 230 VDC                |
| 2738679    | Coil                           | 30B4375G06 | Coil, 550 VDC                |
| 276960     | Shunt                          | 30B4375G11 | Coil, 250 VDC                |
| 27D1494H01 | Indicating Pin                 | 30B4375G12 | Coil, 250 VDC                |
| 27D7214G08 | Needle Bearings                | 30B4375G24 | Operating Coil, 125 Volt     |
| 27D7214G17 | Needle Bearings                | 30B4375G25 | Operating Coil, 125 Volt     |
| 27D7214H20 | Needle Bearings                | 30B4376G08 | Coil, 125 Volt               |
| 27D7221H04 | Bolt                           | 30B4376G09 | Coil                         |
| 27D7221H14 | Bolt                           | 30B4376G10 | Coil, 250 VDC                |
| 27D7239H05 | Brass Rivet                    | 30B4377G02 | Coil, 230 VDC                |
| 280394     | Contact                        | 30B4377G04 | Coil, 115 VDC                |
| 280395     | Segment                        | 30B4377G05 | Coil, 230 VDC                |
| 280399     | Segment                        | 30B4377G07 | Coil, 250 VDC                |
| 281045     | Adjusting Screw                | 30B4377G08 | Coil, 550 VDC                |
| 281057     | Kickout Spring                 | 30B4377G10 | Coil, 125 VDC                |
| 281938     | Contact                        | 30B4377G13 | Coil                         |
| 281940     | Contact                        | 30B4377G17 | Coil, 90 VDC                 |
| 281941     | Contact                        | 30B4377G23 | Coil                         |
| 282812     | Contact                        | 30B4377G24 | Coil                         |
| 285638C    | Coil                           | 30B4377G25 | Coil                         |
| 285640     | Coil                           | 310007     | Needle Bearing, Sealed       |
| 286089     | Contact Spring                 | 310018     | Needle Bearing, Sealed       |
| 287838     | Arc Shield w/ Core & B/O Coil  | 311807     | Coil                         |
| 287995     | Blowout Coil w/ Stud           | 312028     | Coil                         |
| 288683     | Spring Support Bolt            | 3175402    | Coil                         |
| 289328     | Coil                           | 317724     | Segment                      |
| 289960     | Contact Bolt                   | 318615     | Spring Support Bolt          |
| 28B1034G04 | Stop Mechanism SI              | 318B560G01 | Clapper                      |
| 293590     | Contact                        | 318B571H03 | Pin                          |
| 2963286    | Coil                           | 318B571H04 | Pin                          |
| 2963295    | Coil                           | 318B571H05 | Pin                          |
| 298437     | Contact                        | 318B571H06 | Pin                          |
| 298442     | Contact                        | 318B571H07 | Stop Pin                     |
| 298B199G02 | Moving Contact Complete        | 318B571H08 | Pin                          |
| 29B5372G01 | Clapper                        | 318B634G01 | Clapper                      |
| 29B5372H03 | Dowel Pin                      | 318B670G01 | Clapper                      |
| 29B5373H01 | Short Lever Pivot Pin          | 318B777H01 | Spring Plate                 |
| 29B5373H02 | Long Lever Roller Pin          | 318B777H02 | Spring Plate                 |
| 29B5373H03 | Clutch Block Pin               | 318B777H04 | Spring Plate                 |
| 29B5373H04 | Link Pin-Lower                 | 318B777H04 | Spring Plate                 |
| 29B5373H06 | Rack Support Roller            | 318B777H06 | Spring Plate                 |
| 29B5373H09 | Short Lever Spacing Pin        | 318B777H07 | Spring Plate                 |
| 29B5373H10 | Long Lever Spacing Pin         | 318B777H08 | Spring Plate                 |

| OEM PART   | DESCRIPTION               | OEM PART   | DESCRIPTION                    |
|------------|---------------------------|------------|--------------------------------|
| 318B777H09 | Spring Plate              | 318B795H09 | Spring Retain                  |
| 318B778H01 | Spring Clip               | 318B907G01 | Clapper                        |
| 318B778H02 | Spring Clip               | 318B917H01 | Seal                           |
| 318B778H03 | Spring Clip               | 318B917H02 | Seal                           |
| 318B778H04 | Spring Clip               | 318B917H03 | Seal                           |
| 318B778H05 | Spring Clip               | 318B917H04 | Seal                           |
| 318B778H06 | Spring Clip               | 318B917H05 | Seal                           |
| 318B778H07 | Spring Clip               | 318B917H06 | Seal                           |
| 318B778H08 | Spring Clip               | 318B917H07 | Seal                           |
| 318B787H01 | Block                     | 318B917H08 | Seal                           |
| 318B787H03 | Block                     | 318B917H09 | Seal                           |
| 318B787H05 | Block                     | 318B988G01 | Clapper                        |
| 318B787H06 | Block                     | 3198606    | Coil                           |
| 318B787H07 | Block                     | 319B098G01 | Clapper                        |
| 318B787H08 | Block                     | 31D4114H11 | Bushing                        |
| 318B787H09 | Block                     | 31D4114H12 | Bushing                        |
| 318B788H01 | Block                     | 31D4114H20 | Bushing                        |
| 318B788H03 | Block                     | 31D4118H04 | Bushing                        |
| 318B788H04 | Block                     | 31D4118H06 | Bushing                        |
| 318B788H05 | Block (Old Style)         | 31D4118H13 | Bushing                        |
| 318B788H06 | Block                     | 31D4118H15 | Bushing-Center-Opp. Magnet End |
| 318B788H07 | Block                     | 31D4118H19 | Bushing                        |
| 318B788H08 | Block                     | 31D4118H20 | Bushing                        |
| 318B788H09 | Block                     | 31D4199H12 | Gasket For Above               |
| 318B789H01 | Pin                       | 31D4216H03 | Coil Support                   |
| 318B789H03 | Pin                       | 31D4226H01 | Link                           |
| 318B789H04 | Pin                       | 31D4226H03 | Long Lever Roller              |
| 318B789H05 | Pin                       | 31D5654H01 | Pawl Spring {2-14 Circuits}    |
| 318B789H06 | Pin                       | 31D7124H01 | Rack Cap Gasket                |
| 318B789H07 | Pin                       | 322105A    | Coil                           |
| 318B789H08 | Pin                       | 322325     | Segment                        |
| 318B790H01 | Pin                       | 322405     | Coil                           |
| 318B790H03 | Pin                       | 3279B86G01 | Adj. Rod                       |
| 318B790H04 | Pin                       | 3279B86G02 | Adj. Rod                       |
| 318B790H05 | Pin                       | 3279B86G03 | Adj. Rod                       |
| 318B790H06 | Pin                       | 3279B86G04 | Adj. Rod                       |
| 318B790H07 | Pin                       | 3279B90G01 | Spring Plate                   |
| 318B790H08 | Pin                       | 3279B90G02 | Spring Plate                   |
| 318B791H01 | Block                     | 3279B90G03 | Spring Plate                   |
| 318B791H02 | Block                     | 3279B90G04 | Spring Plate                   |
| 318B791H03 | Block                     | 3279B92H01 | Link                           |
| 318B791H04 | Block                     | 3279B92H02 | Link                           |
| 318B791H05 | Block                     | 3279B92H03 | Link                           |
| 318B791H06 | Block                     | 3279B92H04 | Link                           |
| 318B791H07 | Block                     | 3279B92H05 | Link                           |
| 318B791H08 | Block                     | 3279B93H01 | Spring Seat                    |
| 318B791H09 | Block                     | 3279B94H01 | Spring Seat                    |
| 318B792H01 | Release BSNG              | 3279B94H02 | Spring Seat                    |
| 318B792H02 | Release BSNG              | 3279B95G01 | Lining Kit                     |
| 318B792H04 | Release BSNG              | 3279B95G02 | Lining Kit                     |
| 318B792H06 | Release BSNG              | 3279B95G03 | Lining Kit                     |
| 318B792H08 | Release BSNG              | 3279B95G04 | Lining Kit                     |
| 318B792H09 | Release BSNG              | 3279B95H01 | Lining Undrilled               |
| 318B793H02 | Adj. Screw                | 3279B95H02 | Lining Undrilled               |
| 318B793H04 | Adj. Screw                | 3279B95H03 | Lining Undrilled               |
| 318B793H06 | Adj. Screw                | 3279B95H04 | Lining Undrilled               |
| 318B793H08 | Adj. Screw                | 3279B95H05 | Drive Stud                     |
| 318B795H01 | Spring Retain             | 3279B97H01 | Solenoid                       |
| 318B795H02 | Spring Retain             | 3279B97H02 | Solenoid                       |
| 318B795H03 | Spring Retain             | 3279B97H03 | Solenoid                       |
| 318B795H04 | Spring Retain             | 3279B97H04 | Solenoid                       |
| 318B795H05 | Spring Retain (Old Style) | 3279B97H05 | Solenoid                       |
| 318B795H06 | Spring Retain             | 3280B01H01 | Spring                         |
| 318B795H07 | Spring Retain             | 3280B02H01 | Spring                         |
| 318B795H08 | Spring Retain             |            |                                |

This document utilizes an interactive table of contents to help you jump from one section to another. Click the button to return to the table of contents.

**RETURN TO  
TABLE OF CONTENTS**

*DI BRAKES*

*TM BRAKES*

*CONTACTORS*

*INDEX*



This document utilizes an interactive table of contents to help you jump from one section to another. Click the button to return to the table of contents.

**RETURN TO  
TABLE OF CONTENTS**

*DI BRAKES*

*TM BRAKES*

*CONTACTORS*

*INDEX*

| OEM PART   | DESCRIPTION                     | OEM PART   | DESCRIPTION                       |
|------------|---------------------------------|------------|-----------------------------------|
| 3280B02H02 | Spring                          | 358730     | Segment                           |
| 3280B02H03 | Spring                          | 358731     | Segment                           |
| 3280B02H04 | Spring                          | 35A1093G02 | Lever Assembly                    |
| 3280B02H05 | Spring                          | 35A1698H03 | 10 Brake Wheel                    |
| 3280B04G01 | Coil                            | 35B328D1   | Contact Right Hand                |
| 3280B04G02 | Coil                            | 35B328D2   | Contact Left Hand                 |
| 3280B04G03 | Coil                            | 361706     | Stud                              |
| 3280B04G04 | Coil                            | 361718     | Shunt Stud                        |
| 3280B04G05 | Coil, 115/60                    | 371522     | Coil                              |
| 3280B04G06 | Coil                            | 371783     | Coil                              |
| 3280B04G07 | Coil                            | 3729B94H01 | Spring Seat                       |
| 3280B04G08 | Coil                            | 373B331G12 | Contact Set, 3 Pole Type A Size 2 |
| 3280B04G09 | Coil                            | 374893B    | Coil                              |
| 3280B04G10 | Coil                            | 375532     | Segment                           |
| 3280B04G11 | Coil                            | 375538     | Segment                           |
| 3280B04G12 | Coil                            | 375629D    | Coil                              |
| 3280B04G13 | Coil                            | 378088     | Moving Cont. Sup. w/ Shunt-LH     |
| 3280B04G14 | Coil                            | 378089     | Moving Cont. Sup. w/ Shunt-RH     |
| 3280B04G15 | Coil                            | 378241     | Connector                         |
| 3280B04G16 | Coil                            | 378269     | Coil                              |
| 3280B04G17 | Coil                            | 37906      | Finger                            |
| 3280B04G18 | Coil                            | 381038     | Coil                              |
| 3280B04G19 | Coil                            | 3828900    | Coil                              |
| 3280B04G20 | Coil                            | 386253     | Stat. Contact Support Stud        |
| 328444     | Bearing Bracket w/ Stud         | 388517     | Stud                              |
| 3284B31H01 | Retainer                        | 389274     | Insulating Washer                 |
| 3284B31H02 | Retainer                        | 401226     | Blowout Coil Core Bolt            |
| 3284B31H03 | Retainer                        | 401234     | Bolt                              |
| 3284B33H01 | Slotted Lever                   | 401241     | Shunt Bolt                        |
| 3284B33H02 | Slotted Lever                   | 404247     | Coil                              |
| 3284B33H03 | Slotted Lever                   | 40A3424H53 | Shaft {2-6 Circuits} SI           |
| 3284B33H04 | Slotted Lever                   | 40A3424H55 | Shaft {7-8 Circuits} SI           |
| 3284B39H01 | Pivot Bracket                   | 40A3424H58 | Shaft {9-11 Circuits} SI          |
| 3284B39H02 | Pivot Bracket                   | 40A3424H61 | Shaft {12-14 Circuits} SI         |
| 3284B39H03 | Pivot Bracket                   | 423C712H01 | Stop Pin SI                       |
| 3284B39H04 | Pivot Bracket                   | 426C041G01 | Shoe & Lining                     |
| 3284B40H01 | Stud                            | 427C696G35 | Armature Stop Complete            |
| 3284B40H02 | Stud                            | 429730     | Spring                            |
| 3284B44H01 | Stud                            | 429732     | Spring                            |
| 3284B44H02 | Stud                            | 429733     | Spring                            |
| 3284B44H03 | Stud                            | 430271     | Coil                              |
| 3284B65G01 | Plunger                         | 434C392G01 | Base                              |
| 3284B65G02 | Plunger                         | 436371     | Coil                              |
| 3284B65G03 | Plunger                         | 438A069H05 | Spring                            |
| 3284B65G04 | Plunger                         | 438A069H06 | Spring                            |
| 3284B67H01 | Spring                          | 438A070H09 | Spring                            |
| 3284B67H02 | Spring                          | 438A070H13 | Spring                            |
| 32B8732G06 | Long Levers                     | 438A070H14 | Spring                            |
| 32D2009G01 | Contact                         | 438A070H15 | Spring                            |
| 32D2383H03 | Pawl Spring {7-14 Circuits}     | 438A072H01 | Spring                            |
| 332P234GR1 | Contact                         | 438A072H03 | Spring                            |
| 334P064G01 | Coil                            | 438A072H05 | Spring                            |
| 3365D47G11 | Coil, 115 VDC                   | 438A072H07 | Spring                            |
| 3365D47G12 | Coil                            | 438A072H09 | Spring                            |
| 3365D47G20 | Coil, 230/240 VDC               | 438A072H11 | Spring                            |
| 3365D47G30 | Coil, 250 Volt                  | 438A072H13 | Spring                            |
| 33B4143G13 | Stationary Contact with Blowout | 438A072H14 | Spring                            |
| 33B4143G14 | Stationary Contact with B/O     | 438A072H15 | Spring                            |
| 33B4143G15 | Contact with B/O                | 438A169H01 | IND. Bracket 1                    |
| 33B4143G16 | Stationary Contact W/Blowout    | 438A169H02 | IND. Bracket                      |
| 340714     | Coil                            | 438A170H01 | Mtg. Plate                        |
| 340717     | Coil                            | 438A171H03 | Condulet Box                      |
| 3450D52G01 | Coil, 310 VDC                   | 438A217H01 | Block                             |
| 358721     | Segment                         | 438A219H01 | Adjusting Screw Block             |

| OEM PART   | DESCRIPTION                     | OEM PART   | DESCRIPTION                    |
|------------|---------------------------------|------------|--------------------------------|
| 438A338H01 | Adaptor                         | 45A5514G04 | Coil                           |
| 438A352H01 | Block                           | 45A5514G14 | Coil, 250 VDC                  |
| 438A411H01 | Spring                          | 45A5515G01 | Coil, 115 VDC                  |
| 438A411H03 | Spring                          | 45A5515G03 | Coil                           |
| 438A411H04 | Spring                          | 45A5515G04 | Coil, 230 VDC                  |
| 438A411H05 | Spring                          | 45A5515G05 | Coil, 550 VDC                  |
| 438A411H06 | Spring                          | 45A5515G07 | Coil, 125 VDC                  |
| 438A411H08 | Spring                          | 45A5515G11 | Coil, 65 VDC                   |
| 438A429H01 | Block                           | 45A5515G12 | Coil                           |
| 438A456H01 | Block                           | 45A5515G23 | Coil, 90 VDC                   |
| 438A502H01 | Block                           | 45A8401G01 | Base-RH                        |
| 439A816G02 | Condulet Cover                  | 45A8401G02 | Base-LH                        |
| 439C192G05 | Shoe Arm                        | 45A8842G40 | Stationary Contact w/o Blowout |
| 439C192G06 | Shoe Arm                        | 460487     | Coil                           |
| 439C201G01 | Shoe & Lining                   | 460712A    | Coil                           |
| 439C202G01 | Clapper & Arm                   | 461809     | Armature Complete              |
| 439C203G01 | Clapper Arm                     | 461812     | Stationary Core                |
| 439C204G01 | Base                            | 461924     | Hinge Pin                      |
| 439C207H07 | Plate                           | 466792     | Contact                        |
| 439C314G01 | Shoe & Lining                   | 46868      | Brass Nut for Stud             |
| 439C314G02 | 8 Brake Shoe with Bonded Lining | 469B428H04 | Mtg Block                      |
| 439C319G03 | Outer Arm                       | 469B428H06 | Mtg Block                      |
| 439C319G04 | Inner Arm                       | 469B428H08 | Mtg Block                      |
| 439C324G01 | Clapper & Arm                   | 469B428H12 | Mtg Block                      |
| 439C329G03 | Clapper Arm                     | 469B428H13 | Mtg Block                      |
| 439C330G01 | Base                            | 469B750G01 | Eye Bolt                       |
| 439C330H06 | Plate                           | 469B750G02 | Eye Bolt                       |
| 439C394G01 | Shoe & Lining                   | 469B750G03 | Eye Bolt                       |
| 439C394G02 | Bonded Shoe & Lining            | 469B750G04 | Eye Bolt                       |
| 439C395G01 | Shoe Arm                        | 469B750G06 | Eye Bolt                       |
| 439C395G02 | Shoe Arm                        | 469B750G07 | Eye Bolt                       |
| 439C397G01 | Clapper & Arm                   | 469B752G01 | Handle                         |
| 439C398G03 | Clapper Arm                     | 469B752G02 | Handle                         |
| 439C399G01 | Base                            | 469B752G03 | Handle                         |
| 439C399H06 | Plate                           | 469B752G04 | Handle                         |
| 439C463G09 | 13 Leads                        | 469B752G05 | Handle                         |
| 441891     | Blowout Coil Core Bolt          | 469B752G06 | Handle                         |
| 441A29G01  | Coil                            | 469B755H03 | Mtg Block                      |
| 441A531G01 | Coil                            | 469B755H04 | Mtg Block                      |
| 442007     | Blowout Coil Core Bolt          | 469B755H07 | Mtg Block                      |
| 445276     | Coil                            | 469B755H08 | Mtg Block                      |
| 448605     | Contact                         | 469B755H09 | Mtg Block                      |
| 44A3640H01 | Magnet Housing                  | 470630A    | Coil                           |
| 44A3640H02 | Eye Bolt                        | 472267     | Contact                        |
| 44A6366G15 | Coil                            | 4739206    | Coil                           |
| 450A574H01 | Spring Clip                     | 473B166G01 | Clapper                        |
| 450A574H02 | Spring Clip                     | 473B337G01 | Clapper                        |
| 450A574H03 | Spring Clip                     | 473B338G01 | Clapper                        |
| 450A574H04 | Spring Clip                     | 473B344H01 | Base                           |
| 450A576H01 | Pin                             | 473B344H02 | Base                           |
| 450A576H02 | Pin                             | 473B345H01 | Adj. Bar                       |
| 450A576H03 | Pin                             | 473B345H02 | Adj. Bar                       |
| 450A576H04 | Pin                             | 473B354H01 | Clamp                          |
| 450A576H06 | Pin                             | 473B354H02 | Clamp                          |
| 450A849H01 | Block                           | 473B354H03 | Clamp                          |
| 450A869G01 | Bolt                            | 473B354H04 | Clamp                          |
| 450A954H01 | Ind. Bracket                    | 473B422G01 | Clapper                        |
| 450A955H01 | Plate                           | 473B423G01 | Clapper                        |
| 450A955H02 | Plate                           | 476367A    | Coil                           |
| 450A957H01 | Adaptor                         | 476370A    | Coil                           |
| 450A957H02 | Adaptor                         | 476906A    | Coil                           |
| 455275     | Coil                            | 477B477G05 | Contact Kit, 1 Pole            |
| 457197     | Connector                       | 479A479G03 | Coil                           |
| 45A1151G03 | Coil                            | 480385     | Contact                        |
| 45A5073G10 | Coil                            |            |                                |

This document utilizes an interactive table of contents to help you jump from one section to another. Click the button to return to the table of contents.

**RETURN TO  
TABLE OF CONTENTS**

*DI BRAKES*

*TM BRAKES*

*CONTACTORS*

*INDEX*

This document utilizes an interactive table of contents to help you jump from one section to another. Click the button to return to the table of contents.

**RETURN TO  
TABLE OF CONTENTS**

*DI BRAKES*

*TM BRAKES*

*CONTACTORS*

*INDEX*

| OEM PART         | DESCRIPTION                    | OEM PART         | DESCRIPTION                    |
|------------------|--------------------------------|------------------|--------------------------------|
| 480390.....      | Contact                        | 51315388D .....  | Coil                           |
| 481874.....      | Stationary Contact Sup. Spacer | 514509.....      | Brake Shoe Pivot Bolt          |
| 482572.....      | Stationary Contact Sup. Spacer | 514510.....      | Lining                         |
| 482A742H02.....  | Socket Hd. Cap Screw           | 518893.....      | Plunger Guide Bushing          |
| 482B593G03 ..... | Stationary Contact             | 518901.....      | Plunger Guide Bushing          |
| 484031.....      | Spring                         | 518904.....      | Plunger Guide Bushing          |
| 486339.....      | Operating Magnet               | 524918.....      | Contact Screw                  |
| 486346.....      | Air Gap Spacer                 | 529768.....      | Connecting Link                |
| 486360.....      | Type DI-Opert. Mag. w/out Coil | 52D9008H01 ..... | Bushing                        |
| 486361.....      | Spring                         | 52D9034H11 ..... | Flex Locknut                   |
| 486371.....      | Coil, 95-125 Amps              | 52D9349H02 ..... | Adjusting Plug                 |
| 487546.....      | Air Gap Spacer                 | 52D9350G01 ..... | Spring Bolt Assembly           |
| 487552.....      | Shunt Coil, 59-64 Volts        | 52D9642H01 ..... | Adjusting Spring Seat          |
| 487555.....      | Coil                           | 52D9642H02 ..... | Adjusting Plug Cap             |
| 487562.....      | Lining                         | 530831.....      | Connecting Link                |
| 487563.....      | Lining                         | 531025.....      | Connecting Link                |
| 487565.....      | Lining                         | 532049.....      | Connecting Link                |
| 487566.....      | Lining                         | 532213.....      | Connecting Link                |
| 487583.....      | Coil                           | 53C9677H01.....  | Housing Cover                  |
| 487642.....      | Connecting Rod                 | 53C9677H03.....  | Clutch Housing                 |
| 487655.....      | Spring Rod                     | 540269.....      | Connector                      |
| 487657.....      | Hand Release Rod               | 542290.....      | Finger                         |
| 487663.....      | Hand Release Rod Pin           | 546389.....      | Type DI Oprtg. Mag. w/out Coil |
| 487712.....      | Connecting Rod                 | 550866.....      | Contact                        |
| 487713.....      | Spring Rod                     | 550882.....      | Connecting Link                |
| 487714.....      | Hand Release Rod               | 550A057H26.....  | Flat Washer Stl.               |
| 487727.....      | Spring Rod Pin                 | 550D746G30 ..... | Coil, 250 VDC                  |
| 487741.....      | Hand Release Rod               | 553206.....      | Coil                           |
| 489B019H02.....  | Pin                            | 559401.....      | Mounting Stud                  |
| 490362.....      | Brake Shoe w/ Lining           | 559402.....      | Mounting Stud                  |
| 492759.....      | Contact                        | 55B7566H04.....  | Adjusting Nut                  |
| 492872.....      | Stationary Contact Support     | 560D747G18 ..... | Coil                           |
| 492901.....      | Spring Seat                    | 561D096G27 ..... | Coil                           |
| 492902.....      | Brake Shoe With Lining         | 562447.....      | Arcing Contact                 |
| 4929029.....     | Spring Seat                    | 567008.....      | Coil, 180-235 Amp              |
| 492905.....      | Spring Seat                    | 568578.....      | Type DI-Opert. Mag. w/out Coil |
| 492906.....      | Air Gap Spacer                 | 569797.....      | Spring Pin                     |
| 492907.....      | Spring Seat                    | 569798.....      | Spring Nut                     |
| 492908.....      | Brake Shoe w/Lining            | 569829.....      | Spring                         |
| 492909.....      | Spring Seat                    | 573566.....      | Connecting Rod                 |
| 496451.....      | Brake Shoe Pivot Bolt          | 573570.....      | Brake Shoe w/ Lining           |
| 501539.....      | Type DI-Opert. Mag. w/out Coil | 573571.....      | Lining                         |
| 501545.....      | Type DI-Opert. Mag. w/out Coil | 573573.....      | Spring Rod                     |
| 501547.....      | Coil, 340-440 Amp              | 573574.....      | Plunger                        |
| 501573.....      | Coil                           | 573575.....      | Plunger Guide Bushing          |
| 501574.....      | Coil                           | 573576.....      | Air Gap Spacer                 |
| 502832.....      | Brake Shoe with Lining         | 575641.....      | Plunger                        |
| 502833.....      | Spring                         | 575642.....      | Plunger Guide Bushing          |
| 502836.....      | Hand Release Rod               | 575643.....      | Plunger                        |
| 502841.....      | Hand Release Rod Pin           | 575644.....      | Plunger Guide Bushing          |
| 502843.....      | Brake Shoe Pivot Bolt          | 575646.....      | Plunger                        |
| 502844.....      | Spring Seat                    | 575648.....      | Plunger                        |
| 502847.....      | Air Gap Spacer                 | 575652.....      | Plunger                        |
| 502848.....      | Brake Shoe w/ Lining           | 575654.....      | Plunger Guide Bushing          |
| 502849.....      | Spring                         | 575655.....      | Plunger                        |
| 502850.....      | Connecting Rod                 | 575656.....      | Plunger Guide Bushing          |
| 502851.....      | Spring Rod                     | 578839.....      | Hinge-Block                    |
| 502852.....      | Hand Release Rod               | 578840.....      | Brake Shoe Pivot Bolt          |
| 502858.....      | Hand Release Rod Pin           | 578841.....      | Hand Release Rod               |
| 502860.....      | Brake Shoe Pivot Bolt          | 582D221H33 ..... | 10 Brake Wheel                 |
| 502861.....      | Spring Seat                    | 59359 .....      | Mounting Stud                  |
| 502863.....      | Air Gap Spacer                 | 59-359 .....     | Mounting Stud                  |
| 505C806G01.....  | Coil                           | 594324.....      | Finger                         |
| 505C806G13.....  | Coil                           | 597905.....      | Coil                           |

| OEM PART        | DESCRIPTION           | OEM PART        | DESCRIPTION   |
|-----------------|-----------------------|-----------------|---------------|
| 599242.....     | Brake Shoe w/ Lining  | 637C384G17..... | Shunt Coil    |
| 599243.....     | Lining                | 637C384G20..... | Coil          |
| 599244.....     | Brake Shoe Pivot Bolt | 637C502G16..... | Coil          |
| 599249.....     | Connecting Rod        | 637C502G17..... | Coil          |
| 599253.....     | Connecting Link       | 637C502G18..... | Coil          |
| 599255.....     | Hand Release Rod      | 637C502G19..... | Coil          |
| 599256.....     | Hand Release Rod Pin  | 637C502G20..... | Coil          |
| 599257.....     | Spring Rod            | 637C502G21..... | Coil          |
| 599258.....     | Spring                | 637C502G22..... | Coil          |
| 599259.....     | Spring Seat           | 637C502G23..... | Coil          |
| 599261.....     | Plunger               | 637C504G16..... | Coil          |
| 599262.....     | Air Gap Spacer        | 637C504G17..... | Shunt Coil    |
| 60335.....      | Coil                  | 637C504G18..... | Coil          |
| 606956.....     | Coil                  | 637C504G20..... | Coil          |
| 6275007.....    | Coil                  | 637C504G21..... | Coil          |
| 630226.....     | Coil                  | 637C504G21..... | Coil          |
| 635C104G01..... | Tie Rod               | 637C504G22..... | Coil          |
| 635C104G02..... | Tie Rod               | 637C504G23..... | Coil          |
| 635C104G03..... | Tie Rod               | 637C504G24..... | Coil          |
| 635C104G04..... | Tie Rod               | 637C504G25..... | Coil          |
| 635C104G05..... | Tie Rod (Old Style)   | 637C504G26..... | Coil          |
| 635C104G06..... | Tie Rod               | 637C504G27..... | Coil          |
| 635C104G07..... | Tie Rod               | 637C504G28..... | Coil          |
| 635C104G08..... | Tie Rod               | 637C504G29..... | Coil          |
| 635C104G09..... | Tie Rod               | 637C504G30..... | Coil          |
| 635C227G01..... | Shoe & Lining         | 637C523G16..... | Coil          |
| 635C227G02..... | Bonded Shoe & Lining  | 637C523G17..... | Coil          |
| 635C227H02..... | Lining                | 637C523G18..... | Coil          |
| 635C235G01..... | Base                  | 637C523G19..... | Coil          |
| 635C235G06..... | Plate                 | 637C523G20..... | Coil          |
| 635C236G01..... | Clapper & Arm         | 637C523G21..... | Coil          |
| 635C238G01..... | Clapper Arm           | 637C530G16..... | Series Coil   |
| 635C240G01..... | Shoe Arm              | 637C530G17..... | Coil          |
| 635C240G02..... | Shoe Arm              | 637C530G18..... | Coil          |
| 635C247G16..... | Shunt Coil            | 637C530G19..... | Coil          |
| 635C247G17..... | Shunt Coil            | 637C530G20..... | Coil          |
| 635C247G18..... | Shunt Coil            | 637C530G21..... | Coil          |
| 635C256G16..... | Shunt Coil            | 637C530G22..... | Coil          |
| 635C256G17..... | Coil                  | 637C530G23..... | Coil          |
| 635C256G18..... | Shunt Coil            | 637C530G24..... | Coil          |
| 635C292G01..... | Shoe & Lining         | 637C530G25..... | Coil          |
| 635C300G01..... | Base                  | 637C530G26..... | Coil          |
| 635C300H06..... | Plate                 | 637C530G27..... | Coil          |
| 635C306G01..... | Shoe Arm              | 637C530G28..... | Coil          |
| 635C306G02..... | Shoe Arm              | 637C551G16..... | Brake Coil    |
| 635C308G01..... | Clapper Arm           | 637C551G17..... | Coil          |
| 635C316G01..... | Shoe & Lining         | 637C551G18..... | Coil          |
| 635C317G01..... | Clapper & Arm         | 637C551G18..... | Coil          |
| 635C328G16..... | Shunt Coil            | 637C551G19..... | Coil          |
| 635C328G17..... | Shunt Coil            | 637C551G20..... | Coil          |
| 635C328G18..... | Shunt Coil            | 637C551G21..... | Series Coil   |
| 635C328G19..... | Coil                  | 637C551G22..... | Coil          |
| 635C328G20..... | Coil                  | 637C551G23..... | Coil          |
| 635C328G21..... | Coil                  | 637C551G24..... | Coil          |
| 635C328G22..... | Coil                  | 637C551G25..... | Coil          |
| 635C328G23..... | Coil                  | 637C729G16..... | Coil          |
| 635C328G24..... | Coil                  | 637C729G17..... | Coil          |
| 637C324G01..... | Shoe Arm              | 641C782G01..... | Shoe Arm      |
| 637C324G02..... | Shoe Arm              | 641C782G02..... | Shoe Arm      |
| 637C343G01..... | Clapper & Arm         | 641C792G01..... | Clapper & Arm |
| 637C362G01..... | Clapper Arm           | 641C801G01..... | Clapper Arm   |
| 637C373G16..... | Coil                  | 641C808G01..... | Base          |
| 637C373G17..... | Shunt Coil            | 641C818G16..... | Shunt Coil    |
| 637C384G16..... | Shunt Coil            | 645C120G01..... | Shoe Arm      |

This document utilizes an interactive table of contents to help you jump from one section to another. Click the button to return to the table of contents.

**RETURN TO  
TABLE OF CONTENTS**

*DI BRAKES*

*TM BRAKES*

*CONTACTORS*

*INDEX*



This document utilizes an interactive table of contents to help you jump from one section to another. Click the button to return to the table of contents.

**RETURN TO  
TABLE OF CONTENTS**

*DI BRAKES*

*TM BRAKES*

*CONTACTORS*

*INDEX*

| OEM PART    | DESCRIPTION          | OEM PART   | DESCRIPTION                     |
|-------------|----------------------|------------|---------------------------------|
| 645C120G02  | Shoe Arm             | 7 543      | Nut for Stud                    |
| 645C141G01  | Clapper Arm          | 70020BD    | Socket Hd. Cap Screw            |
| 645C162G02  | Shoe & Lining        | 70041AN    | Socket Hd. Cap Screw            |
| 645C173G16  | Shunt Coil           | 702501     | Coil                            |
| 645C173G17  | Coil                 | 703184     | Coil                            |
| 645C173G18  | Coil                 | 70510CV    | Lock Washer                     |
| 645C173G19  | Coil                 | 70510DW    | High Collar Lk. Washer          |
| 645C173G20  | Coil                 | 712418     | Coil                            |
| 645C173G21  | Coil                 | 712475     | Shunt Coil                      |
| 645C173G22  | Coil                 | 712496     | Coil                            |
| 645C173G23  | Coil                 | 712498     | Coil                            |
| 645C173G24  | Coil                 | 712501     | Coil                            |
| 645C173G25  | Coil                 | 716666     | Arc Box Retaining Bolt          |
| 645C173G26  | Shunt Coil           | 74883      | Contact                         |
| 645C173G27  | Coil                 | 750068     | Contact                         |
| 645C173G28  | Coil                 | 755B054H01 | Insulator                       |
| 645C433G02  | Shoe Arm             | 756B077G02 | Moving Contact                  |
| 645C518G16  | Series Coil          | 756B540H01 | Spacer Block                    |
| 645C518G17  | Coil                 | 757451     | Stationary & Moving Contact     |
| 645C518G18  | Coil                 | 760306     | HI. Coil                        |
| 645C540G01  | Clapper Arm          | 760310     | Shunt Coil                      |
| 645C544G01  | Shoe Arm             | 760335A    | Coil                            |
| 645C544G02  | Shoe Arm             | 760344     | Shunt Coil                      |
| 645C545G16  | Shunt Brake Coil     | 764207     | Finger Tip                      |
| 645C545G17  | Shunt Coil           | 764222     | Finger Tip                      |
| 645C545G18  | Coil                 | 765378     | Insulator                       |
| 645C545G18  | Coil                 | 765393     | Coil, 135 Amp                   |
| 645C545G20  | Coil                 | 766192     | Hinge Block                     |
| 645C545G21  | Coil                 | 766652     | Hinge-Block                     |
| 645C545G22  | Coil                 | 766658     | Hinge-Block                     |
| 645C545G23  | Coil                 | 768092     | Bracket                         |
| 645C545G24  | Coil                 | 768096     | Heater                          |
| 645C545G27  | Coil                 | 776137A    | Coil                            |
| 645C545G35  | Coil                 | 776142     | Coil                            |
| 645C555G01  | Shoe & Lining        | 776147     | Coil                            |
| 645C555G02  | Shoe w/Lining        | 776153     | Coil, .2 to .9 Amp              |
| 646C8345G01 | Contact              | 776162     | Coil                            |
| 654163      | Coil                 | 776762     | Coil                            |
| 654213      | Coil                 | 779740     | Shunt Complete                  |
| 654215      | Coil                 | 779776     | Armature Shaft                  |
| 654227      | Coil                 | 779778     | Base                            |
| 654239      | Coil                 | 779886     | Arc Shield                      |
| 654613      | Coil                 | 779888     | Insulation Tube for B.O. Coil   |
| 657C900G03  | Coil, 230 VDC        | 779889     | Washer for B.O. Coil            |
| 661030      | Finger               | 779892     | Spring Washer for Operate. Coil |
| 661571      | Hinge - Block        | 779899     | Stud with Insulation-Upper      |
| 661C466H70  | Contact              | 779900     | Stud                            |
| 661C466H71  | Contact              | 779921     | Shunt Complete                  |
| 662238      | Armature Shaft       | 779925     | Stud with Insulation-Upper      |
| 662247      | Armature Shaft       | 779926     | Stud with Insulation-Lower      |
| 669037      | Coil                 | 779932     | Shunt Complete                  |
| 669336      | Coil                 | 780038     | Arc Horn for Moving Contact     |
| 671708      | Contact w/ Silver    | 780040     | Arc Horn for Stationary Cont.   |
| 6753A37H02  | Solenoid GD          | 780042     | Armature Shaft                  |
| 6753A37H03  | Solenoid GD          | 780044     | Arc Shield                      |
| 6753A37H04  | Solenoid GD          | 78006      | Coil                            |
| 6753A37H04  | Solenoid GD          | 780084     | Insulation Tube for B.O. Coil   |
| 676276E     | Coil                 | 780085     | Washer for B.O. Coil            |
| 680042      | Contact              | 780086     | Stud with Insulation-Upper      |
| 686795      | Hinge for Arc Shield | 780087     | Stud with Insulation-Lower      |
| 696667      | Coil, 250 VDC        | 780088     | Base                            |
| 696668      | Coil, 115 VDC        | 780089     | Spring Washer for Operate. Coil |
| 696678D     | Coil                 | 780131     | Shunt Complete                  |
| 696714A     | Coil, 180-240 Amps   | 780169     | Stud with Insulation Upper      |

| OEM PART         | DESCRIPTION                    | OEM PART        | DESCRIPTION                      |
|------------------|--------------------------------|-----------------|----------------------------------|
| 780170.....      | Stud with Insulation Lower     | 809654.....     | Operating Spring with Blowout    |
| 780171.....      | Base                           | 809772.....     | Pin                              |
| 780172.....      | Armature Shaft                 | 809988.....     | Main Contact                     |
| 780173.....      | Bearing Bracket                | 809989.....     | Main Contact                     |
| 780223.....      | Insulation Tube-Lower          | 816117.....     | Shunt                            |
| 780224.....      | Insulation Tube-Upper          | 816395.....     | Moving Contact Spring Washer     |
| 780225.....      | Insulation Tube-Upper          | 816460.....     | 16 Brake Lining                  |
| 780226.....      | Insulation Tube-Lower          | 816517.....     | Moving Contact Complete          |
| 780227.....      | Insulation Tube-Lower          | 816518.....     | L39 Interlock                    |
| 780228.....      | Insulation Tube-Upper          | 816520.....     | Molded                           |
| 780229.....      | Insulation Tube                | 816888.....     | Spring                           |
| 780230.....      | Insulation Tube                | 822125A.....    | Coil                             |
| 780231.....      | Insulation Strip               | 822190.....     | Coil                             |
| 780246.....      | Coil                           | 822228.....     | Hinge-Block                      |
| 780298.....      | Contact                        | 822229.....     | Plunger Guide Bushing            |
| 780306.....      | Coil                           | 822258.....     | Brake Shoe Pivot Bolt            |
| 780327.....      | Support                        | 822825.....     | Coil                             |
| 780581.....      | Coil                           | 823D834G01..... | Shunt Connector                  |
| 780590.....      | Coil                           | 825859.....     | Wrench for Contact Screw         |
| 780626.....      | Stat. Contact Support w/ Screw | 830220.....     | Coil                             |
| 780627.....      | Stationary Contact Support     | 830226.....     | Coil                             |
| 782713.....      | Coil                           | 830226D.....    | Coil                             |
| 782714.....      | Coil                           | 831523.....     | Operating Magnet                 |
| 782715.....      | Coil                           | 831963.....     | Molded Lever                     |
| 782716.....      | Coil                           | 831964.....     | Molded Base                      |
| 782717.....      | TI-2 Coil                      | 831965.....     | Moving Contact Complete          |
| 782719.....      | Coil                           | 831985.....     | Core                             |
| 782939.....      | Stationary Core                | 832558.....     | Blowout Coil Core                |
| 782940.....      | Stationary Core                | 832959.....     | Coil                             |
| 783045.....      | Spring                         | 838535.....     | Coil                             |
| 783046.....      | Spring                         | 841358.....     | Stationary Contact-Straight      |
| 783117.....      | Coil                           | 841360AB.....   | Interlock                        |
| 783142.....      | Coil                           | 841362AB.....   | Interlock                        |
| 783143.....      | TI-Z Coil                      | 841665.....     | Main Contact                     |
| 783147.....      | Coil                           | 843D407H01..... | Base {12-14 Circuits}            |
| 783164.....      | Coil                           | 843D407H02..... | Base {2-6 Circuits}              |
| 783164A.....     | Coil                           | 843D407H03..... | Base {7-8 Circuits}              |
| 783167.....      | Coil                           | 843D407H04..... | Base {9-11 Circuits}             |
| 783176.....      | Coil                           | 844246C.....    | Coil                             |
| 783176-A.....    | Coil                           | 845639.....     | Moving Contact Complete          |
| 783213.....      | Coil                           | 847465A.....    | Coil                             |
| 787713.....      | Coil                           | 847734.....     | Contact                          |
| 79-33C50G03..... | 8 TM Tie Rod Assembly          | 847794.....     | Coil                             |
| 79-33C50G04..... | 10 TM Tie Rod Assembly         | 847794-02.....  | Coil                             |
| 79-33C50G05..... | 13 TM Tie Rod Assembly         | 847794C.....    | Coil                             |
| 79-33C50G06..... | 16 TM Tie Rod Assembly         | 847798B.....    | Coil                             |
| 79-33C50G07..... | 19 TM Tie Rod Assembly         | 8479065.....    | Coil                             |
| 79-33C50G08..... | 23 TM Tie Rod Assembly         | 847963.....     | Coil                             |
| 79-33C50G09..... | 30 TM Tie Rod Assembly         | 847965A.....    | Coil                             |
| 793697.....      | Coil                           | 849379.....     | Contact                          |
| 793712A.....     | Coil                           | 849732.....     | Finger                           |
| 793760.....      | Coil                           | 850329.....     | Lift Rod                         |
| 793778.....      | Coil                           | 850330.....     | Moving Contact                   |
| 799912.....      | Shunt                          | 850331.....     | Left Rod                         |
| 805264.....      | Coil                           | 850333.....     | Main Contact                     |
| 805265.....      | Coil                           | 850334.....     | Arc Contact                      |
| 805268.....      | Coil                           | 850703.....     | Contact                          |
| 805359.....      | Spring Seat                    | 850787.....     | Contact                          |
| 808654.....      | Spring                         | 854255.....     | Spring                           |
| 808771.....      | Hinge-Block                    | 854288.....     | Moving Contact Spring            |
| 809572.....      | Contact                        | 855730.....     | Stationary Contact Complete      |
| 809574.....      | Contact                        | 855953.....     | Coil                             |
| 809575.....      | Contact                        | 857D503G01..... | Blowout Coil                     |
| 809651.....      | Spacer                         | 857D509G02..... | DC Contactor, Type MD, Frame 910 |

This document utilizes an interactive table of contents to help you jump from one section to another. Click the button to return to the table of contents.

**RETURN TO  
TABLE OF CONTENTS**

*DI BRAKES*

*TM BRAKES*

*CONTACTORS*

*INDEX*

This document utilizes an interactive table of contents to help you jump from one section to another. Click the button to return to the table of contents.

**RETURN TO  
TABLE OF CONTENTS**

*DI BRAKES*

*TM BRAKES*

*CONTACTORS*

*INDEX*

| OEM PART   | DESCRIPTION                 | OEM PART   | DESCRIPTION                |
|------------|-----------------------------|------------|----------------------------|
| 857D509G03 | Mechanical Parts            | 919940     | Moving Contact             |
| 857D528H01 | Insulating Base             | 919996     | Coil                       |
| 859983     | Hinge Pin                   | 920006     | Coil                       |
| 861738     | Coil                        | 920009     | Coil                       |
| 861C691G16 | Lining Kit                  | 936978     | Coil                       |
| 861C691G17 | Lining Kit                  | 943109     | Series Coil                |
| 861C691G18 | Lining Kit                  | 943120     | Coil, 95 HP                |
| 861C691G19 | Lining Kit                  | 943147     | Coil                       |
| 861C691G20 | Lining Kit                  | 943153     | Coil                       |
| 861C691G21 | Lining Kit                  | 94401      | Contact                    |
| 861C691G22 | Lining Kit                  | 944187     | Spring                     |
| 861C691G23 | Lining Kit                  | 944723     | Coil, 340-260 Amp          |
| 861C691G24 | Lining Kit                  | 947445     | Main Contact               |
| 869171     | Stationary Contact Complete | 947450     | Arcing Contact             |
| 869174     | Stationary Contact Complete | 947451     | Main Contact               |
| 869411     | Moving Contact Spring       | 947454     | Arc Shield                 |
| 869584     | Roller                      | 9510D14H01 | Shoe Link                  |
| 869983     | Pin                         | 9510D14H02 | Shoe Link                  |
| 874120     | Coil                        | 9510D14H03 | Shoe Link                  |
| 874126     | Coil, 440 VAC               | 9510D14H04 | Shoe Link                  |
| 874128     | Coil                        | 9510D16H01 | Base                       |
| 875151     | Coil                        | 9510D16H02 | Base                       |
| 875154     | Coil                        | 9510D16H03 | Base                       |
| 875154A    | Coil                        | 9510D16H04 | Base                       |
| 877925     | Coil                        | 9510D19G01 | Condulet Box               |
| 882191     | Coil                        | 9510D21G01 | Support Link               |
| 883535     | Coil                        | 9510D21G02 | Support Link               |
| 883545     | Coil                        | 9510D21G03 | Support Link               |
| 883550     | Coil                        | 9510D21G04 | Support Link               |
| 883558     | Coil                        | 9510D22G01 | Condulet Box               |
| 883576     | Coil                        | 961C691G23 | Lining Kit                 |
| 883756     | Coil                        | 966753A    | Coil                       |
| 884551     | Coil                        | 966759     | Coil                       |
| 884558     | Shading Coil                | 968310     | Coil                       |
| 884567     | Moving Contact Complete     | 968337     | Coil                       |
| 884576     | Bearing Bracket             | 968986     | Blowout Coil Core Bolt     |
| 884590     | Spring                      | 969137     | Connector                  |
| 884595     | Moving Contact              | 969138     | Connector                  |
| 884596     | Contact                     | 969730     | Left Rod                   |
| 884598     | Stationary Contact Spacer   | 969890     | Base                       |
| 884839     | Plunger                     | 969891     | Base                       |
| 884993     | Contact Spring With B/O     | 969919     | Moving Contact Complete    |
| 8860474    | Coil                        | 970315     | Coil Terminal Screw        |
| 895657     | Operating Coil, DI 239      | 970317     | Terminal Screw             |
| 895671A    | Coil                        | 974133     | Coil                       |
| 895675     | Coil                        | 974136     | Coil                       |
| 895677     | Coil                        | 979136     | Coil                       |
| 895881     | Coil                        | 986371     | Coil                       |
| 895883     | Coil                        | 9969D90G01 | Coil                       |
| 895891     | Coil                        | 9969D90G05 | Coil                       |
| 895906     | Coil                        | 9969D92G03 | Coil                       |
| 896612     | Contact Support             | 997794     | Armature Complete          |
| 896615     | Armature                    | E004047    | Shoe & Lining, 70 Deg. Arc |
| 897899     | Coil                        | E004051    | Shunt Brake Coil           |
| 897905     | Coil                        | E004054    | Pivot Bracket              |
| 897916     | Coil                        | E004054    | Pin                        |
| 897918     | Coil                        | E004055    | Pin                        |
| 897925     | Coil                        | E004056    | Pin                        |
| 897929     | Coil                        | E004058    | Pin                        |
| 897931     | Coil                        | E004059    | Lever                      |
| 897935     | Coil                        | E004060    | Adj. Rod                   |
| 919375     | Segment                     | E004062    | Link                       |
| 919376     | Segment                     | E004063    | Spring Seat                |
| 919939     | Contact                     | E004064    | Lining Undrilled           |

| OEM PART | DESCRIPTION   | OEM PART | DESCRIPTION      |
|----------|---------------|----------|------------------|
| E004065  | Spring        | E004152  | Coil             |
| E004066  | Shoe Link     | E004153  | Coil             |
| E004068  | Base          | E004154  | Coil             |
| E004070  | Bolt          | E004156  | Coil             |
| E004071  | Spring Plate  | E004164  | Shunt Coil       |
| E004072  | Block         | E004165  | Coil             |
| E004073  | Block         | E004166  | Coil             |
| E004074  | Block         | E004167  | Coil             |
| E004075  | Release BSNG  | E004168  | Coil             |
| E004076  | Spring Retain | E004169  | Coil             |
| E004077  | Seal          | E005027  | Pin              |
| E004078  | Spring        | E005028  | Pin              |
| E004079  | Spring        | E005029  | Pin              |
| E004080  | Spring        | E005031  | Pin              |
| E004081  | Ind. Bracket  | E005032  | Lever            |
| E004082  | Plate         | E005033  | Adj. Rod         |
| E004083  | Adaptor       | E005035  | Link             |
| E004084  | Base          | E005036  | Spring Seat      |
| E004085  | Adj. Bar      | E005037  | Lining Undrilled |
| E004086  | Clamp         | E005038  | Spring           |
| E004087  | Clamp         | E005039  | Coil             |
| E004088  | Clapper       | E005040  | Shoe Link        |
| E004089  | Block         | E005042  | Base             |
| E004090  | Clapper       | E005044  | Condulet Box     |
| E004093  | Clapper Arm   | E005045  | Spring           |
| E004097  | Tie Rod       | E005046  | Spring           |
| E004098  | Bushing       | E005047  | Shoe Outer       |
| E004099  | Spring        | E005048  | Shoe Inner       |
| E004100  | Spring        | E005049  | Lining Kit       |
| E004101  | Lining Kit    | E005050  | Solenoid GD      |
| E004102  | Coil          | E005051  | Coil             |
| E004104  | Coil          | E005052  | Coil             |
| E004105  | Coil          | E005053  | Coil             |
| E004106  | Coil          | E005054  | Coil             |
| E004107  | Coil          | E005055  | Solenoid         |
| E004109  | Solenoid      | E005057  | Spring Plate     |
| E004111  | Spring Plate  | E005058  | Support Link     |
| E004112  | Support Link  | E005063  | Lever            |
| E004113  | Shoe Inner    | E005064  | Slotted Lever    |
| E004114  | Shoe Outer    | E005065  | Pivot Bracket    |
| E004117  | Lining Kit    | E005066  | Stud             |
| E004118  | Shoe Arm      | E005067  | Plunger          |
| E004119  | Shoe Arm      | E005068  | Retainer         |
| E004120  | Pin           | E005069  | Spacer           |
| E004121  | Spring Clip   | E005070  | Star Wheel       |
| E004125  | Star Wheel    | E006023  | Shoe & Lining    |
| E004126  | Slotted Lever | E006026  | Shunt Coil       |
| E004127  | Pivot Bracket | E006027  | Coil             |
| E004128  | Star Wheel    | E006028  | Spring Plate     |
| E004129  | Stud          | E006029  | Block            |
| E004131  | Stud          | E006030  | Block            |
| E004132  | Retainer      | E006031  | Pin              |
| E004133  | Spacer        | E006032  | Block            |
| E004134  | Spacer        | E006033  | Release BSNG     |
| E004135  | Plunger       | E006034  | Spring Retain    |
| E004136  | Mtg Block     | E006035  | Seal             |
| E004137  | Handle        | E006036  | Spring           |
| E004138  | Eye Bolt      | E006037  | Spring           |
| E004139  | Spring Clip   | E006038  | Spring           |
| E004140  | Pin           | E006039  | Plate            |
| E004141  | Mtg Block     | E006040  | Adaptor          |
| E004142  | Block         | E006041  | Clapper          |
| E004143  | Block         | E006042  | Clapper          |
| E004145  | Drive Stud    | E006044  | Base             |
| E004148  | Coil          |          |                  |

This document utilizes an interactive table of contents to help you jump from one section to another. Click the button to return to the table of contents.

**RETURN TO  
TABLE OF CONTENTS**

*DI BRAKES*

*TM BRAKES*

*CONTACTORS*

*INDEX*



This document utilizes an interactive table of contents to help you jump from one section to another. Click the button to return to the table of contents.

**RETURN TO  
TABLE OF CONTENTS**

*DI BRAKES*

*TM BRAKES*

*CONTACTORS*

*INDEX*

| OEM PART | DESCRIPTION                    | OEM PART | DESCRIPTION               |
|----------|--------------------------------|----------|---------------------------|
| E006045  | .....Adj. Bar                  | E007101  | .....Slotted Lever        |
| E006046  | .....Clamp                     | E007102  | .....Plunger              |
| E006047  | .....Clamp                     | E007103  | .....Stud                 |
| E006049  | .....Tie Rod                   | E007104  | .....Retainer             |
| E006054  | .....Name Plate                | E007105  | .....Spacer               |
| E006056  | .....Shoe Arm                  | E007106  | .....Pivot Bracket        |
| E006057  | .....Lining Kit, 90 Degree Arc | E008025  | .....Shoe & Lining        |
| E006058  | .....Adjusting Screw           | E008026  | .....Shunt Coil           |
| E006059  | .....Lining Kit, 70 degree Arc | E008027  | .....Bushing              |
| E006060  | .....Shoe Arm                  | E008028  | .....Bushing              |
| E006061  | .....Clapper Arm               | E008029  | .....Pin                  |
| E006062  | .....Spring Clip               | E008030  | .....Clapper              |
| E006063  | .....Spring Clip               | E008031  | .....Spring Plate         |
| E006064  | .....Handle                    | E008032  | .....Spring Clip          |
| E006065  | .....Eye Bolt                  | E008033  | .....Block                |
| E006066  | .....Pin                       | E008034  | .....Block                |
| E006067  | .....Mtg Block                 | E008035  | .....Adj. Screw           |
| E006068  | .....Mtg Block                 | E008036  | .....Spring Retain        |
| E006069  | .....Block                     | E008037  | .....Spring Retain        |
| E006070  | .....Block                     | E008038  | .....Seal                 |
| E006073  | .....Coil                      | E008039  | .....Spring               |
| E006077  | .....Coil                      | E008040  | .....Spring               |
| E006078  | .....Coil                      | E008041  | .....Block                |
| E006079  | .....Coil                      | E008042  | .....Outer Arm            |
| E006081  | .....Coil                      | E008043  | .....Inner Arm            |
| E006082  | .....Coil                      | E008045  | .....Clapper Arm          |
| E006083  | .....Coil                      | E008047  | .....Plate                |
| E006084  | .....Coil                      | E008048  | .....Flex Locknut         |
| E006085  | .....Shunt Coil                | E008049  | .....Tie Rod              |
| E006086  | .....Coil                      | E008052  | .....Coil                 |
| E006087  | .....Coil                      | E008053  | .....Coil                 |
| E007053  | .....Pin                       | E008054  | .....Coil                 |
| E007054  | .....Pin                       | E008055  | .....Coil                 |
| E007055  | .....Pin                       | E008056  | .....Coil                 |
| E007057  | .....Pin                       | E008057  | .....Lining Kit           |
| E007058  | .....Lever                     | E008058  | .....Outer Brake Shoe Arm |
| E007059  | .....Adj. Rod                  | E008059  | .....Base                 |
| E007061  | .....Link                      | E008060  | .....Inner Brake Shoe Arm |
| E007062  | .....Link                      | E008061  | .....Clapper & Arm        |
| E007063  | .....Spring Seat               | E008062  | .....Clapper Arm          |
| E007064  | .....Lining Undrilled          | E008063  | .....Handle               |
| E007065  | .....Coil                      | E008064  | .....Mtg Block            |
| E007066  | .....Coil                      | E008065  | .....Mtg Block            |
| E007067  | .....Shoe Link                 | E008066  | .....Eye Bolt             |
| E007069  | .....Base                      | E008067  | .....Hinge Block SS       |
| E007072  | .....Spring                    | E008083  | .....Coil                 |
| E007073  | .....Shoe Outer                | E008084  | .....Shunt Coil           |
| E007074  | .....Shoe Inner                | E008085  | .....Coil                 |
| E007076  | .....Solenoid GD               | E008086  | .....Coil                 |
| E007077  | .....Solenoid GD               | E008087  | .....Coil                 |
| E007078  | .....Lining Kit                | E008088  | .....Coil                 |
| E007079  | .....Solenoid                  | E008089  | .....Coil                 |
| E007080  | .....Coil                      | E008090  | .....Coil                 |
| E007081  | .....Coil                      | E008501  | .....Brake Wheel          |
| E007082  | .....Coil                      | E008514  | .....Brake Wheel          |
| E007083  | .....Coil                      | E010047  | .....Shoe & Lining        |
| E007084  | .....Spring Plate              | E010049  | .....Shunt Coil           |
| E007085  | .....Support Link              | E010054  | .....Pin                  |
| E007087  | .....Coil                      | E010055  | .....Pin                  |
| E007088  | .....Coil                      | E010056  | .....Pin                  |
| E007089  | .....Coil                      | E010058  | .....Pin                  |
| E007090  | .....Coil                      | E010059  | .....Lever                |
| E007091  | .....Solenoid                  | E010062  | .....Link                 |
| E007100  | .....Lever                     | E010063  | .....Lining Undrilled     |

| OEM PART  | DESCRIPTION            | OEM PART | DESCRIPTION        |
|-----------|------------------------|----------|--------------------|
| E010064   | .....Spring            | E013032  | .....Spring Clip   |
| E010066   | .....Shoe Link         | E013033  | .....Block         |
| E010068   | .....Base              | E013034  | .....Pin           |
| E010069   | .....Condulet Box      | E013035  | .....Pin           |
| E010070   | .....Bolt              | E013036  | .....Block         |
| E010071   | .....Block             | E013037  | .....Release BSNG  |
| E010072   | .....Pin               | E013039  | .....Spring Retain |
| E010073   | .....Pin               | E013040  | .....Seal          |
| E010074   | .....Inner Hinge Block | E013041  | .....Spring        |
| E010075   | .....Release BSNG      | E013042  | .....Spring        |
| E010076   | .....Spring Retain     | E013044  | .....Spring        |
| E010077   | .....Seal              | E013045  | .....Block         |
| E010078   | .....Clapper           | E013051  | .....Plate         |
| E010079   | .....Spring            | E013052  | .....Tie Rod       |
| E010080   | .....Spring            | E013053  | .....Bolt          |
| E010081   | .....IND. Bracket      | E013054  | .....Flex Locknut  |
| E010083   | .....Block             | E013055  | .....Lining Kit    |
| E010084   | .....Adaptor           | E013056  | .....Clapper Arm   |
| E010085   | .....Spring            | E013057  | .....Series Coil   |
| E010086   | .....Tie Rod           | E013058  | .....Coil          |
| E010088   | .....Plate             | E013059  | .....Coil          |
| E010096   | .....Solenoid GD       | E013060  | .....Coil          |
| E010098   | .....Adj. Rod          | E013061  | .....Coil          |
| E010103   | .....Solenoid          | E013062  | .....Coil          |
| E010104   | .....Spring Plate      | E013063  | .....Coil          |
| E010105   | .....Support Link      | E013064  | .....Shoe Arm      |
| E010106   | .....Shoe Inner        | E013066  | .....Base          |
| E010107   | .....Shoe Outer        | E013067  | .....Shoe Arm      |
| E010108   | .....Lining Kit        | E013068  | .....Clapper & Arm |
| E010109   | .....Coil              | E013069  | .....Handle        |
| E010110   | .....Coil              | E013070  | .....Eye Bolt      |
| E010111   | .....Coil              | E013071  | .....Mtg Block     |
| E010112   | .....Coil              | E013072  | .....Mtg Block     |
| E010113   | .....Coil              | E013073  | .....Spring Clip   |
| E010114   | .....Lining Kit        | E013074  | .....Pin           |
| E010115   | .....Shoe Arm          | E013083  | .....Coil          |
| E010116   | .....Base              | E013096  | .....Shunt Coil    |
| E010117   | .....Shoe Arm          | E013097  | .....Coil          |
| E010118   | .....Clapper & Arm     | E013098  | .....Coil          |
| E010119   | .....Clapper Arm       | E013099  | .....Coil          |
| E010120   | .....Lever             | E013125  | .....Block         |
| E010121   | .....Slotted Lever     | E013513  | .....Brake Wheel   |
| E010122   | .....Pivot Bracket     | E013520  | .....Brake Wheel   |
| E010123   | .....Plunger           | E013543  | .....Brake Wheel   |
| E010124   | .....Stud              | E013544  | .....Brake Wheel   |
| E010125   | .....Spacer            | E013545  | .....Brake Wheel   |
| E010126   | .....Spacer            | E016025  | .....Shoe & Lining |
| E010127   | .....Handle            | E016026  | .....Shunt Coil    |
| E010128   | .....Eye Bolt          | E016027  | .....Bolt          |
| E010129   | .....Pin               | E016028  | .....Pin           |
| E010157   | .....Shunt Coil        | E016030  | .....Spring Clip   |
| E010158   | .....Shunt Coil        | E016031  | .....Block         |
| E010159   | .....Coil              | E016033  | .....Pin           |
| E010503   | .....10 Brake Wheel    | E016034  | .....Pin           |
| E010517   | .....Brake Wheel       | E016035  | .....Block         |
| E010535   | .....10 Brake Wheel    | E016036  | .....Adj. Screw    |
| E013025   | .....Shoe & Lining     | E016038  | .....Seal          |
| E013026   | .....Shunt Coil        | E016039  | .....Spring        |
| E013026-1 | .....Magnet Gap Spacer | E016040  | .....Block         |
| E013027   | .....Bushing           | E016044  | .....Plate         |
| E013028   | .....Bushing           | E016050  | .....Clapper       |
| E013029   | .....Clapper           | E016051  | .....Base          |
| E013030   | .....Pin               | E016052  | .....Clapper & Arm |
| E013031   | .....Spring Plate      | E016053  | .....Lining Kit    |
|           |                        | E016054  | .....Coil          |

This document utilizes an interactive table of contents to help you jump from one section to another. Click the button to return to the table of contents.

**RETURN TO  
TABLE OF CONTENTS**

*DI BRAKES*

*TM BRAKES*

*CONTACTORS*

*INDEX*

This document utilizes an interactive table of contents to help you jump from one section to another. Click the button to return to the table of contents.

**RETURN TO  
TABLE OF CONTENTS**

*DI BRAKES*

*TM BRAKES*

*CONTACTORS*

*INDEX*

| OEM PART | DESCRIPTION                       | OEM PART | DESCRIPTION            |
|----------|-----------------------------------|----------|------------------------|
| E016055  | Coil                              | E019058  | Shoe Arm               |
| E016056  | Coil                              | E019059  | Clapper & Arm          |
| E016057  | Coil                              | E019060  | Clapper Arm            |
| E016058  | Coil                              | E019061  | Coil                   |
| E016059  | Coil                              | E019062  | Coil                   |
| E016060  | Shoe Arm                          | E019063  | Coil                   |
| E016061  | Shoe Arm                          | E019064  | Coil                   |
| E016062  | Eye Bolt                          | E019065  | Lining Kit             |
| E016063  | Clapper Arm                       | E019066  | Base                   |
| E016064  | Handle                            | E019067  | Shoe Arm               |
| E016065  | Mtg Block                         | E019070  | Hinge Block Magnet End |
| E016066  | Mtg Block                         | E019071  | Wheel End Hinge Block  |
| E016067  | Spring Clip                       | E019083  | Shunt Coil             |
| E016068  | Pin                               | E019084  | Shunt Coil             |
| E016071  | Block                             | E019085  | Coil                   |
| E016073  | Hinge Block, Magnet End           | E019086  | Coil                   |
| E016083  | Shunt Coil                        | E019087  | Coil                   |
| E016084  | Shunt Coil                        | E019088  | Coil                   |
| E016085  | Coil                              | E019505  | Brake Wheel            |
| E016086  | Coil                              | E019511  | Brake Wheel            |
| E016087  | Coil                              | E019521  | Brake Wheel            |
| E016088  | Coil                              | E019522  | Brake Wheel            |
| E016089  | Coil                              | E019523  | Brake Wheel            |
| E016090  | Coil                              | E019974  | Block                  |
| E016091  | Coil                              | E023025  | Shoe & Lining          |
| E016200  | Tie Rod (Modifi ed)               | E023026  | Shunt Coil             |
| E016203  | Spring Plate (Modifi ed)          | E023027  | Spring                 |
| E016204  | Block (Modifi ed)                 | E023028  | Bolt                   |
| E016205  | Wheel End Hinge Block (Modifi ed) | E023029  | Pin                    |
| E016206  | Spring Seat                       | E023030  | Spring Plate           |
| E016207  | Wheel End Spring (Modifi ed)      | E023031  | Spring Clip            |
| E016506  | Brake Wheel                       | E023032  | Block                  |
| E016513  | Brake Wheel                       | E023033  | Block                  |
| E016526  | Brake Wheel                       | E023034  | Pin                    |
| E016527  | Brake Wheel                       | E023035  | Pin                    |
| E016528  | Brake Wheel                       | E023036  | Block                  |
| E019024  | Shoe & Lining                     | E023038  | Spring Retain          |
| E019025  | Coil, Shunt                       | E023039  | Seal                   |
| E019025  | Coil                              | E023040  | Clapper                |
| E019026  | Grommet                           | E023044  | Spring                 |
| E019027  | Bolt                              | E023045  | Spring                 |
| E019028  | Bushing                           | E023046  | Block                  |
| E019029  | Bushing                           | E023047  | Tie Rod                |
| E019030  | Pin                               | E023051  | Clapper Arm            |
| E019031  | Clapper                           | E023052  | Clapper & Arm          |
| E019032  | Spring Plate                      | E023053  | Coil                   |
| E019033  | Spring Clip                       | E023054  | Coil                   |
| E019034  | Block                             | E023055  | Lining Kit             |
| E019035  | Block                             | E023056  | Shoe Arm               |
| E019036  | Pin                               | E023057  | Base                   |
| E019037  | Pin                               | E023058  | Shoe Arm               |
| E019038  | Block                             | E023062  | Block                  |
| E019039  | Release BSNG                      | E023063  | Block                  |
| E019040  | Adj. Screw                        | E023077  | Shunt Coil             |
| E019042  | Spring Retain                     | E023078  | Coil                   |
| E019043  | Seal                              | E023079  | Coil                   |
| E019044  | Spring                            | E023080  | Coil                   |
| E019045  | IND. Bracket 1                    | E023081  | Coil                   |
| E019046  | Mtg. Plate                        | E023082  | Coil                   |
| E019047  | Condulet Box                      | E023083  | Coil                   |
| E019048  | Adjusting Screw Block             | E023513  | Brake Wheel            |
| E019050  | Condulet Cover                    | E023514  | Brake Wheel            |
| E019056  | Plate                             | E023515  | Brake Wheel            |
| E019057  | Tie Rod                           | E023516  | Brake Wheel            |
|          |                                   | E030024  | Shunt Coil             |

| OEM PART   | DESCRIPTION                    |
|------------|--------------------------------|
| E030025    | .....Spring                    |
| E030026    | .....Spring Retain             |
| E030027    | .....Shoe & Lining             |
| E030028    | .....Block                     |
| E030029    | .....Coil                      |
| E030030    | .....Coil                      |
| E030031    | .....Block                     |
| E030032    | .....Release BSNG              |
| E030033    | .....Tie Rod                   |
| E030034    | .....Block                     |
| E030035    | .....Adj. Screw                |
| E030036    | .....Spring Plate              |
| E030037    | .....Block                     |
| E030040    | .....Bolt                      |
| E030041    | .....Shoe Arm                  |
| E030042    | .....Base                      |
| E030043    | .....Pin                       |
| E030044    | .....Shoe Arm                  |
| E030045    | .....Bushing                   |
| E030046    | .....Clapper & Arm             |
| E030047    | .....Pin                       |
| E030048    | .....Clapper Arm               |
| E030049    | .....Clapper                   |
| E030050    | .....Seal                      |
| E030051    | .....Spring Clip               |
| E030052    | .....Spring                    |
| E030053    | .....Pin                       |
| E030054    | .....Lining Kit                |
| E030055    | .....LEAD                      |
| E030056    | .....Spring                    |
| E030096    | .....Block                     |
| E030097    | .....Block                     |
| E030111    | .....Disc Spring               |
| E08067     | .....Block                     |
| E08068     | .....Block                     |
| EP1200     | .....Arc Shield                |
| EP1201     | .....Shield Hardware           |
| EPS201     | .....Bracket                   |
| L548825G01 | .....Coil                      |
| L548826G01 | .....Coil                      |
| L548829G01 | .....Coil                      |
| L548844G01 | .....Coil                      |
| L548845G01 | .....Coil                      |
| L548846G01 | .....Coil                      |
| L548847G01 | .....Coil                      |
| M-301      | .....Contactor Complete        |
| MD-910     | .....Nema 9 Contactor Complete |
| TM-1035    | .....10 TM Brake               |
| TM-1355    | .....13 Brake                  |
| TM-1665    | .....16 TM Brake               |
| TM-1985    | .....19 TM Brake               |
| TM-2311    | .....23 TM Brake               |
| TM-3014    | .....30 TM Brake               |
| TM-43      | .....4" TM Brake               |
| TM-63      | .....6" TM Brake               |
| TM-83      | .....8" TM Brake               |

This document utilizes an interactive table of contents to help you jump from one section to another. Click the button to return to the table of contents.

**RETURN TO  
TABLE OF CONTENTS**

*DI BRAKES*

*TM BRAKES*

*CONTACTORS*

*INDEX*



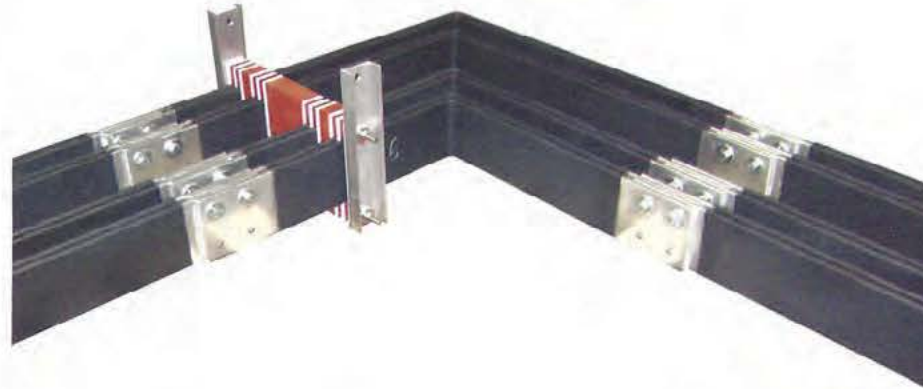
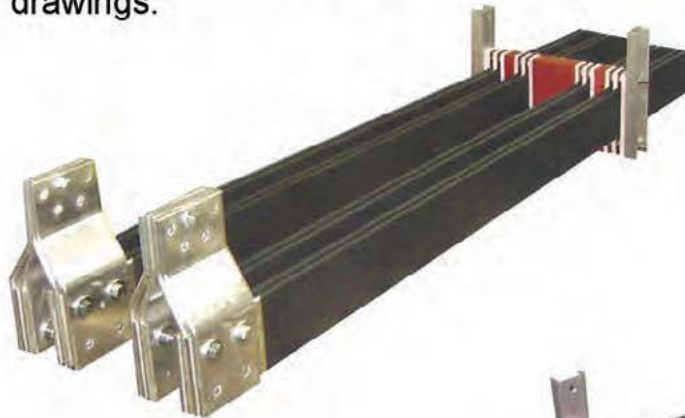
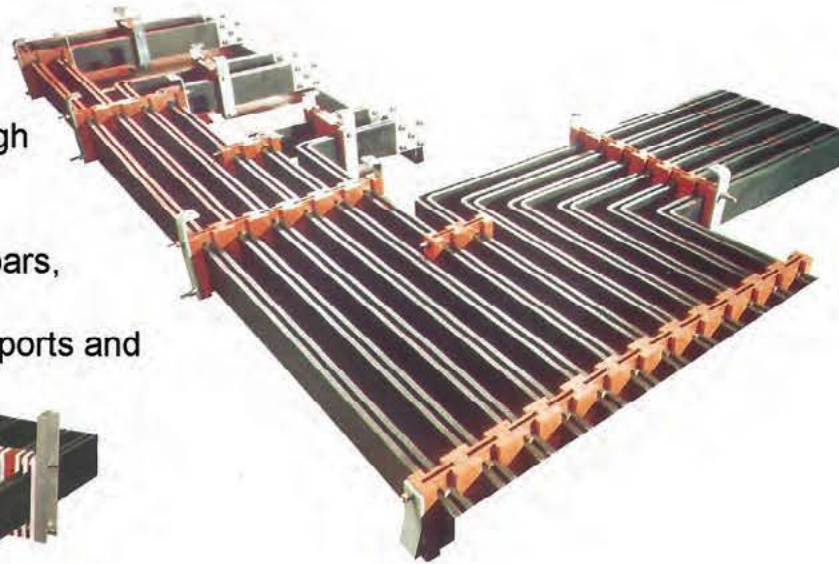


# ALUMINUM BUS SYSTEMS

Ohio Contact has the capability to design, engineer and manufacture AC/DC Bus Bar Systems.

Bus Bar Systems are offered using high conductivity copper or aluminum.

All jobs are packaged complete with bars, clamps, connectors, hardware, insulators, supports and drawings.



This document utilizes an interactive table of contents to help you jump from one section to another. Click the button to return to the table of contents.

**RETURN TO  
TABLE OF CONTENTS**

*BUS BAR SYSTEMS*

*BRAIDED FLEXES*

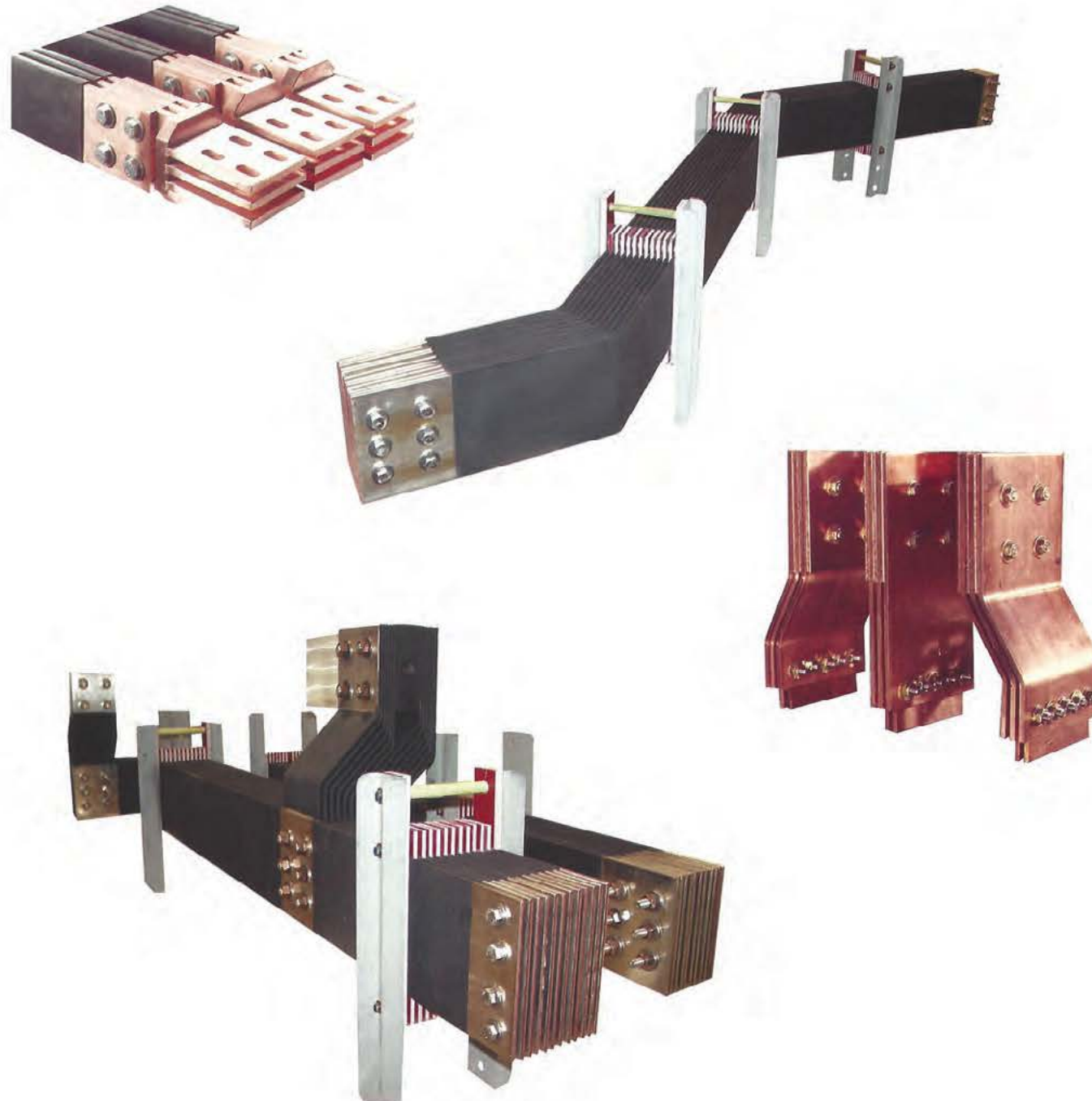
*BUS BARS*

*WELDED LAMINATED JUMPERS*

*WATER COOLED POWER CABLES*



# COPPER BUS SYSTEMS



This document utilizes an interactive table of contents to help you jump from one section to another. Click the button to return to the table of contents.

**RETURN TO  
TABLE OF CONTENTS**

*BUS BAR SYSTEMS*

*BRAIDED FLEXES*

*BUS BARS*

*WELDED LAMINATED JUMPERS*

*WATER COOLED POWER CABLES*

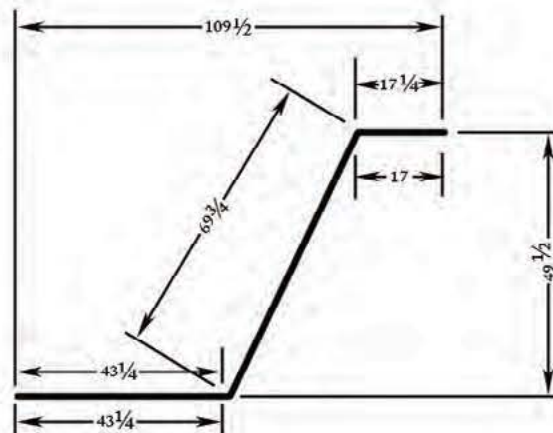
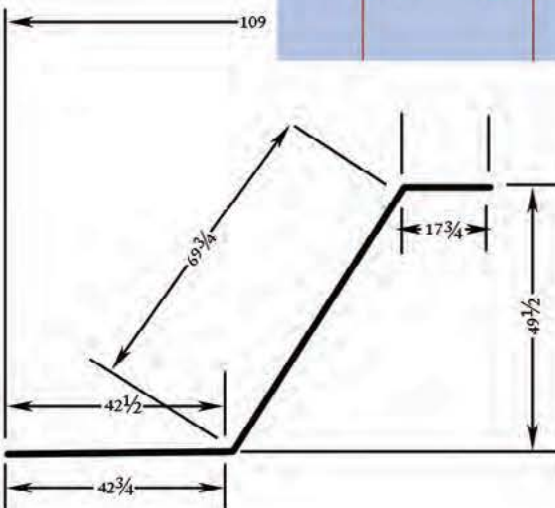
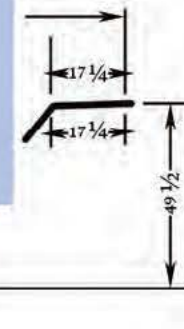
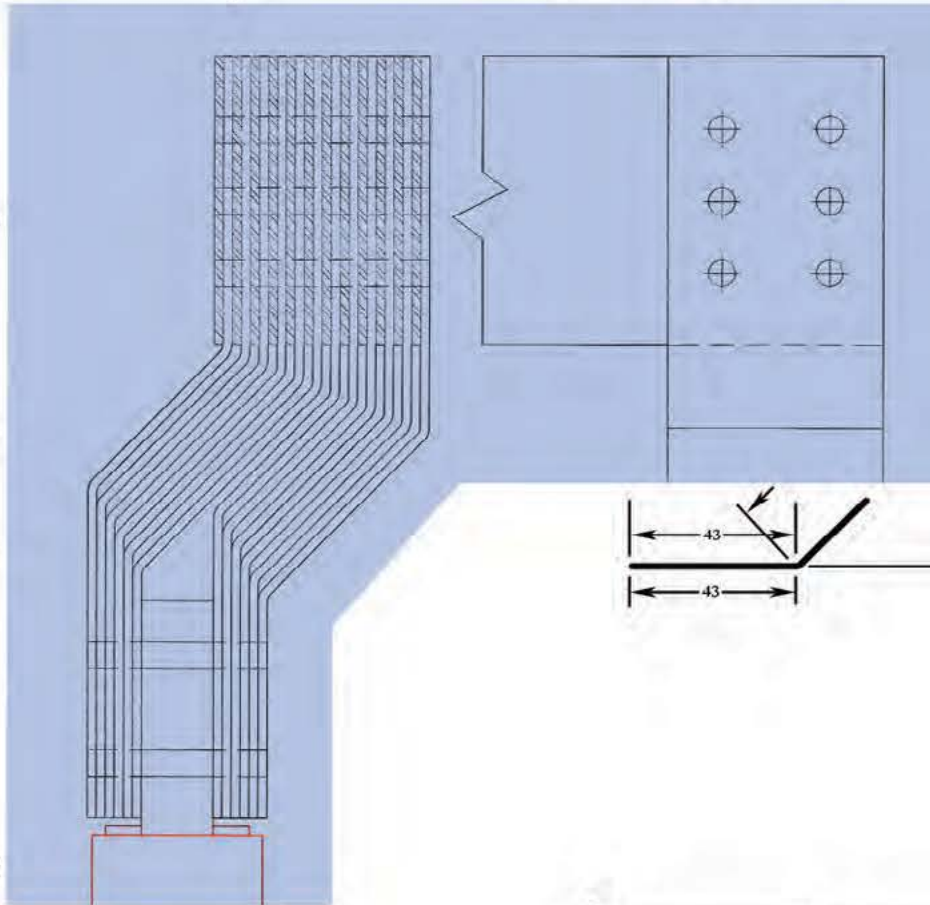
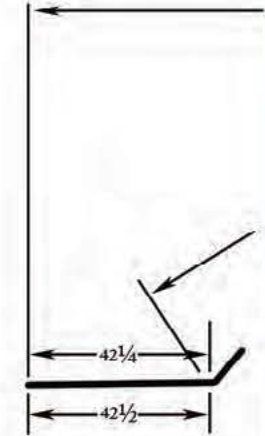
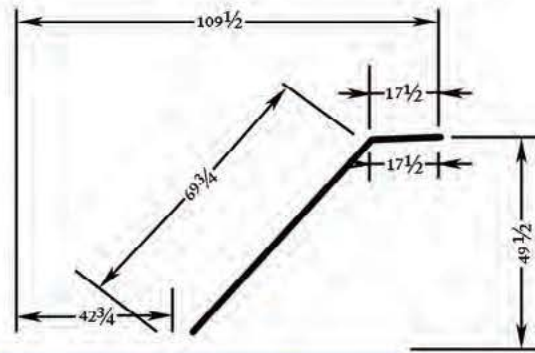
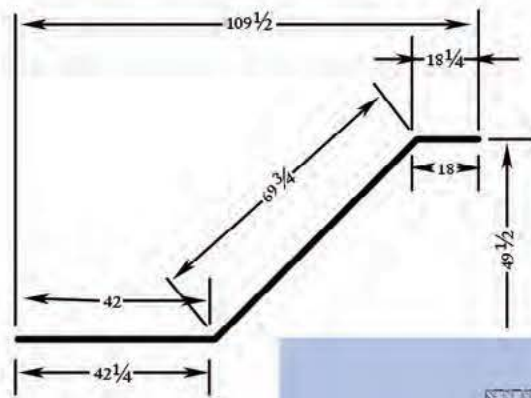




# ALUMINUM BUS SYSTEMS

This document utilizes an interactive table of contents to help you jump from one section to another. Click the button to return to the table of contents.

**RETURN TO  
TABLE OF CONTENTS**



*BUS BAR SYSTEMS*

*BRAIDED FLEXES*

*BUS BARS*

*WELDED LAMINATED JUMPERS*

*WATER COOLED POWER CABLES*

P.800-310-5999 F.330-648-2774

sales@ohiocontact.com www.ohiocontact.com

© 2014 The Ohio Contact Company



# BRAIDED FLEXES

Ohio Contact manufactures and supplies braid assemblies per your specification or we can design an assembly to meet your requirement.

Our flexible braids are manufactured with high quality electrical grade materials. Seamless ferrule contact tubes cover bare or tinned copper braid. Terminal contacts can be electroplated to combat the effects of corrosion



## Target Market For Braided Flexes:

Switchgear • Rapid Transit • Transformer • Steel  
Power Generation • Utilities • Fiberglass

This document utilizes an interactive table of contents to help you jump from one section to another. Click the button to return to the table of contents.

[RETURN TO  
TABLE OF CONTENTS](#)

[BUS BAR SYSTEMS](#)

[BRAIDED FLEXES](#)

[BUS BARS](#)

[WELDED LAMINATED JUMPERS](#)

[WATER COOLED POWER CABLES](#)

P.800-310-5999 F.330-648-2774  
sales@ohiocontact.com www.ohiocontact.com





# BRAIDED FLEXES

## OCC Standard Braids



OCC offers a line of standard braids to meet your requirements for expansion joints on buss systems, for equipment misalignment problems or for vibration damping solutions. The braids are supplied with NEMA standard hole patterns. Slotted holes are also available.

| No. of Braids /assy. | Term. Thick. (+/-1/32) | Term Width | Outdoor Ampere Rating | Indoor Ampere Rating |
|----------------------|------------------------|------------|-----------------------|----------------------|
| 1                    | 3/16"                  | 3/4"       | 184                   | 154                  |
| 2                    | 7/32"                  | 3/4"       | 275                   | 230                  |
| 3                    | 9/32"                  | 3/4"       | 355                   | 296                  |
| 4                    | 5/16"                  | 3/4"       | 429                   | 358                  |
| 1                    | 3/16"                  | 1"         | 234                   | 195                  |
| 2                    | 7/32"                  | 1"         | 342                   | 285                  |
| 3                    | 1/4"                   | 1"         | 432                   | 360                  |
| 4                    | 5/16"                  | 1"         | 514                   | 429                  |
| 1                    | 7/32"                  | 1"         | 296                   | 247                  |
| 2                    | 1/4"                   | 1"         | 441                   | 368                  |
| 3                    | 11/32"                 | 1"         | 567                   | 473                  |
| 4                    | 13/32"                 | 1"         | 684                   | 571                  |
| 1                    | 3/16"                  | 1 1/4"     | 307                   | 257                  |
| 2                    | 1/4"                   | 1 1/4"     | 452                   | 377                  |
| 3                    | 9/32"                  | 1 1/4"     | 572                   | 477                  |
| 4                    | 11/32"                 | 1 1/4"     | 681                   | 568                  |
| 5                    | 3/8"                   | 1 1/4"     | 784                   | 654                  |
| 1                    | 3/16"                  | 1 1/2"     | 385                   | 321                  |
| 2                    | 1/4"                   | 1 1/2"     | 558                   | 465                  |
| 3                    | 5/16"                  | 1 1/2"     | 699                   | 583                  |
| 4                    | 3/8"                   | 1 1/2"     | 826                   | 689                  |
| 5                    | 7/16"                  | 1 1/2"     | 943                   | 787                  |
| 1                    | 7/32"                  | 1 1/2"     | 390                   | 326                  |
| 2                    | 9/32"                  | 1 1/2"     | 577                   | 481                  |
| 3                    | 11/32"                 | 1 1/2"     | 736                   | 614                  |
| 4                    | 13/32"                 | 1 1/2"     | 883                   | 736                  |
| 5                    | 15/32"                 | 1 1/2"     | 1022                  | 852                  |
| 1                    | 3/16"                  | 2"         | 543                   | 453                  |
| 2                    | 1/4"                   | 2"         | 792                   | 661                  |
| 3                    | 5/16"                  | 2"         | 999                   | 834                  |
| 4                    | 3/8"                   | 2"         | 1187                  | 990                  |
| 5                    | 15/32"                 | 2"         | 1363                  | 1137                 |

\*Custom manufactured Braided Flexes can be designed by giving the following information.  
Width, Ampacity, Length, Hole Pattern.

This document utilizes an interactive table of contents to help you jump from one section to another. Click the button to return to the table of contents.

**RETURN TO  
TABLE OF CONTENTS**

*BUS BAR SYSTEMS*

*BRAIDED FLEXES*

*BUS BARS*

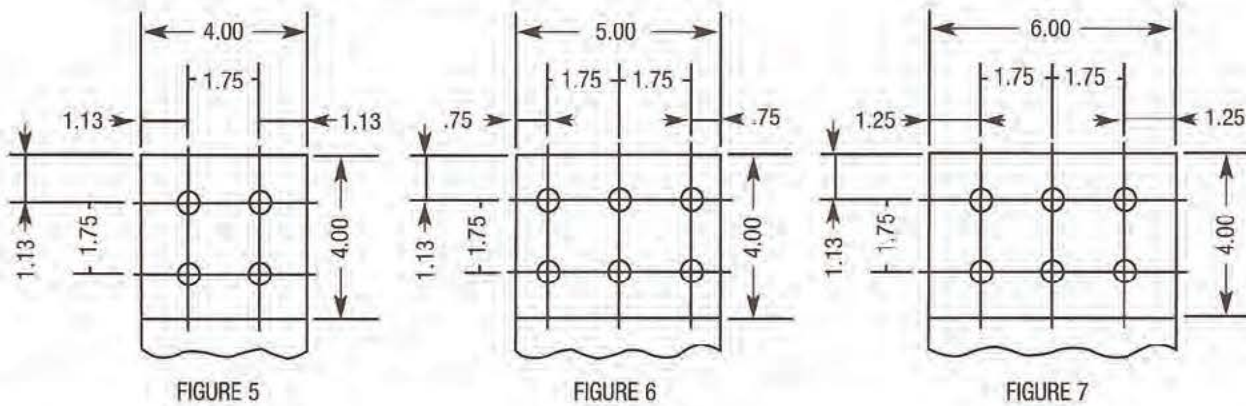
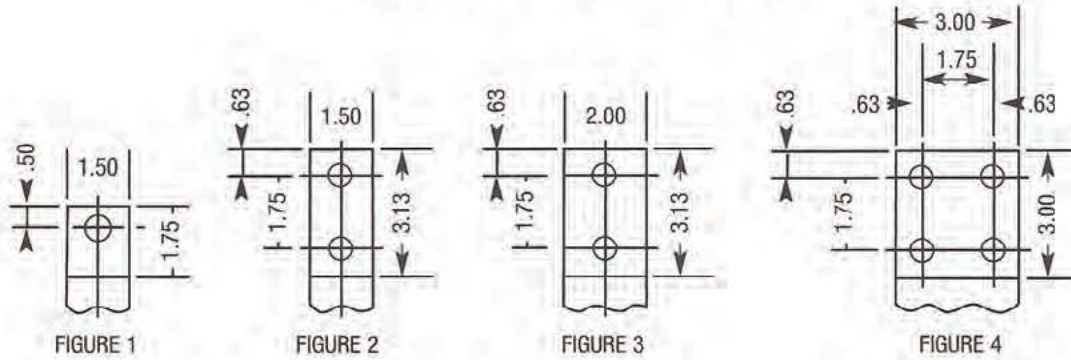
*WELDED LAMINATED JUMPERS*

*WATER COOLED POWER CABLES*



# BRAIDED FLEXES

## BRAID REQUEST FOR QUOTE STANDARD NEMA HOLE PATTERN, 9/16" HOLES



**RETURN TO  
TABLE OF CONTENTS**

*BUS BAR SYSTEMS*

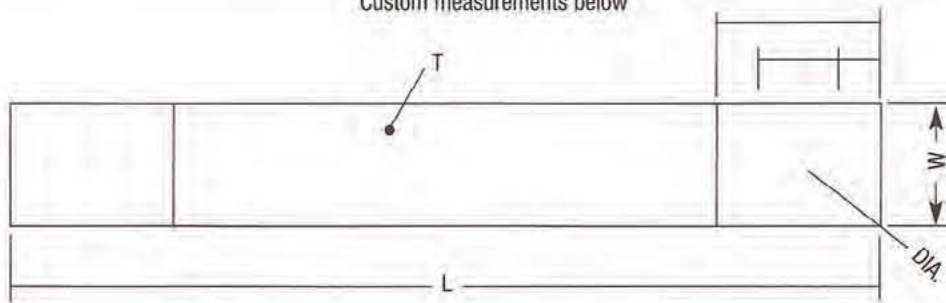
*BRAIDED FLEXES*

*BUS BARS*

*WELDED LAMINATED JUMPERS*

*WATER COOLED POWER CABLES*

Custom measurements below



RFQ Date: \_\_\_\_\_ PO# \_\_\_\_\_ Quantity: \_\_\_\_\_ Delivery Date: \_\_\_\_\_

(T x W x L) \_\_\_\_\_ Company Name: \_\_\_\_\_

Figure# \_\_\_\_\_ Address: \_\_\_\_\_

Total MCM (if known) \_\_\_\_\_ City: \_\_\_\_\_ State: \_\_\_\_\_

AMP Rating: \_\_\_\_\_ Phone: \_\_\_\_\_ Fax: \_\_\_\_\_

(Please check appropriate box)

Tin Plate  Silver Plate

Buyers Name: \_\_\_\_\_

P.800-310-5999 F.330-648-2774

sales@ohiocontact.com www.ohiocontact.com





# BUS BARS

Ohio Contact offers a wide variety of fabricated Bus Bar to meet your product requirements. OCC can provide a manufactured product using copper or aluminum bus bar. Products can be supplied bare finish or plated. OCC offers tin, silver and nickel plating. Epoxy Coated or Insulated bars are also available.

OCC can provide all manufacturing processes from Sawing, Milling, Tapping, Drilling, Punching, Brazing, Forming, Bending and Plating of Copper and Aluminum materials.



## Target Market For Bus Bar Components:

Switchgear • Fiberglass • Electro galvanizing • Rapid Transit  
Transformer • Power Generation • Sub Stations

This document utilizes an interactive table of contents to help you jump from one section to another. Click the button to return to the table of contents.

**RETURN TO  
TABLE OF CONTENTS**

*BUS BAR SYSTEMS*

*BRAIDED FLEXES*

*BUS BARS*

*WELDED LAMINATED JUMPERS*

*WATER COOLED POWER CABLES*



# BUS BARS

All materials used by Ohio Contact are of the highest quality. Copper Bus Bar is 100% conductivity, Aluminum Bus Bar is high conductivity electrical grade.

OCC manufactures and supplies Bus Bar to your designs and specifications or we can engineer the best design to meet your requirements.



This document utilizes an interactive table of contents to help you jump from one section to another. Click the button to return to the table of contents.

**RETURN TO  
TABLE OF CONTENTS**

*BUS BAR SYSTEMS*

*BRAIDED FLEXES*

*BUS BARS*

*WELDED LAMINATED JUMPERS*

*WATER COOLED POWER CABLES*





# BUS BARS

This document utilizes an interactive table of contents to help you jump from one section to another. Click the button to return to the table of contents.

**RETURN TO  
TABLE OF CONTENTS**

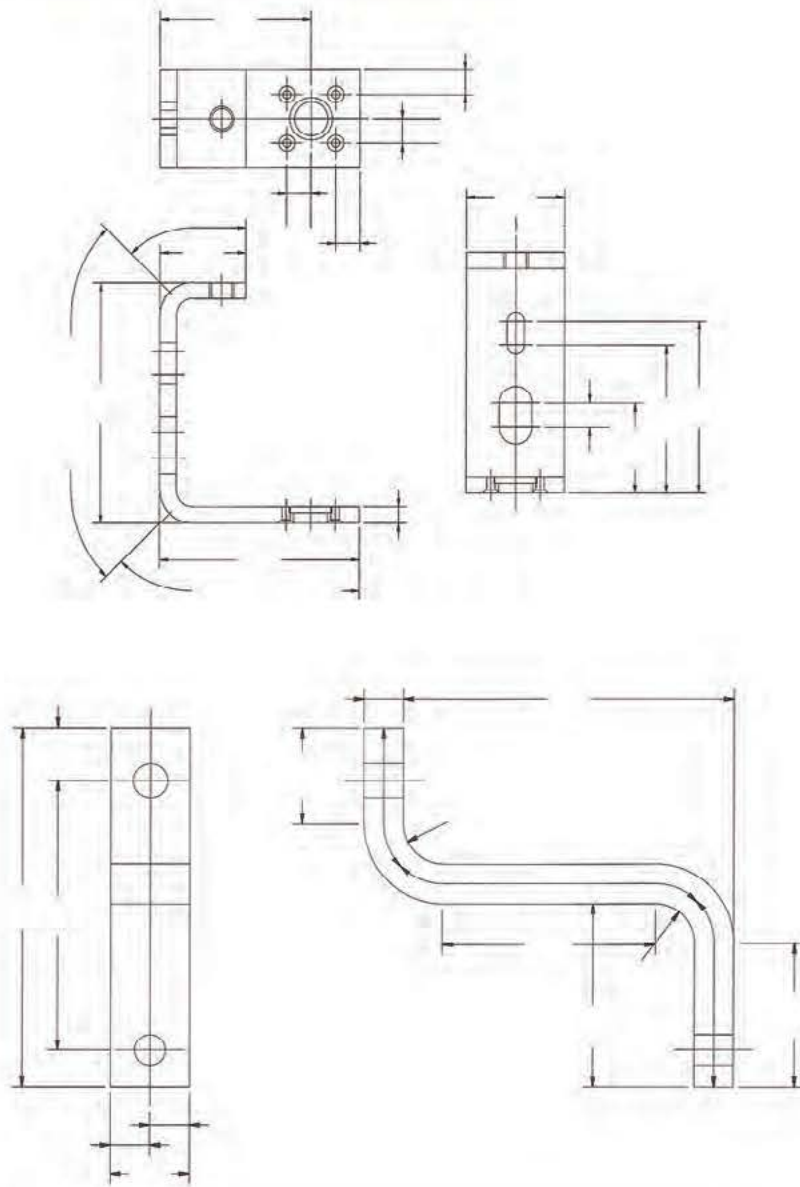
*BUS BAR SYSTEMS*

*BRAIDED FLEXES*

*BUS BARS*

*WELDED LAMINATED JUMPERS*

*WATER COOLED POWER CABLES*





# PRESS WELDED LAMINATED JUMPERS



## Do You Want to Lower Energy Costs?

Low resistance Press Welded Flexible Connections are what you need.

This document utilizes an interactive table of contents to help you jump from one section to another. Click the button to return to the table of contents.

[RETURN TO TABLE OF CONTENTS](#)

*BUS BAR SYSTEMS*

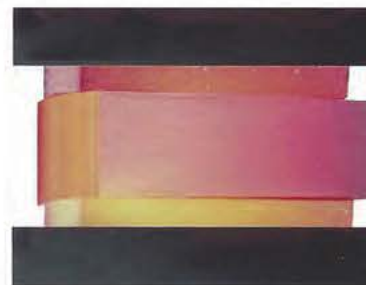
*BRAIDED FLEXES*

*BUS BARS*

*WELDED LAMINATED JUMPERS*

*WATER COOLED POWER CABLES*

## Q: What are Press Welded Flexes?



**A:** OCC press welded flexes are a unique construction where ends of laminates are molecularly fused together through a combination of high DC current while under pressure.







## PRESS WELDED LAMINATED JUMPERS

### This Press Welded Process has the following characteristics:

- 1) Formation of a solid palm with properties of plain bar which can be drilled for required hole patterns.
- 2) Smaller cross section for the same current carrying capacity.
- 3) Runs cooler than standard laminated units that are brazed, soldered or riveted.
- 4) Lower resistance equals lower energy costs.



### Maximize operational efficiency with press welded laminated jumpers.



#### Target Market For Press Welded Flexes:

Chlorine • Fiberglass • Power Generation • Rapid Transit  
Transformer • Switchgear • Electrogalvanizing

This document utilizes an interactive table of contents to help you jump from one section to another. Click the button to return to the table of contents.

**RETURN TO  
TABLE OF CONTENTS**

*BUS BAR SYSTEMS*

*BRAIDED FLEXES*

*BUS BARS*

*WELDED LAMINATED JUMPERS*

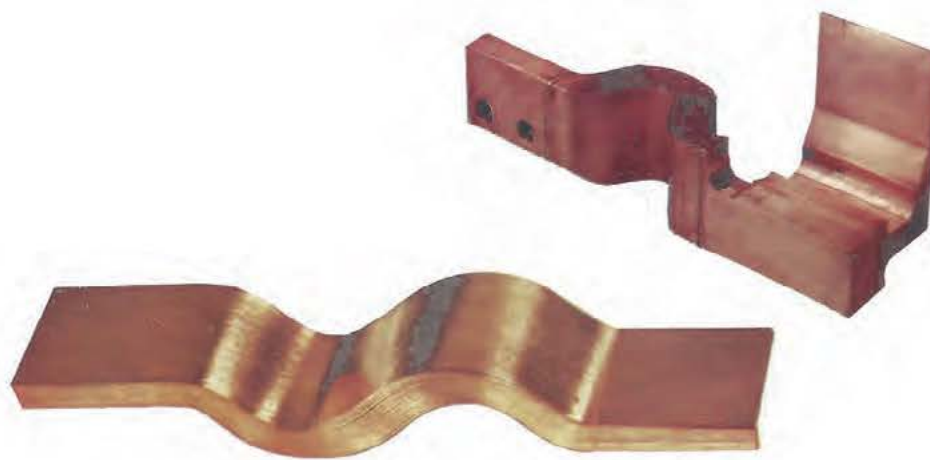
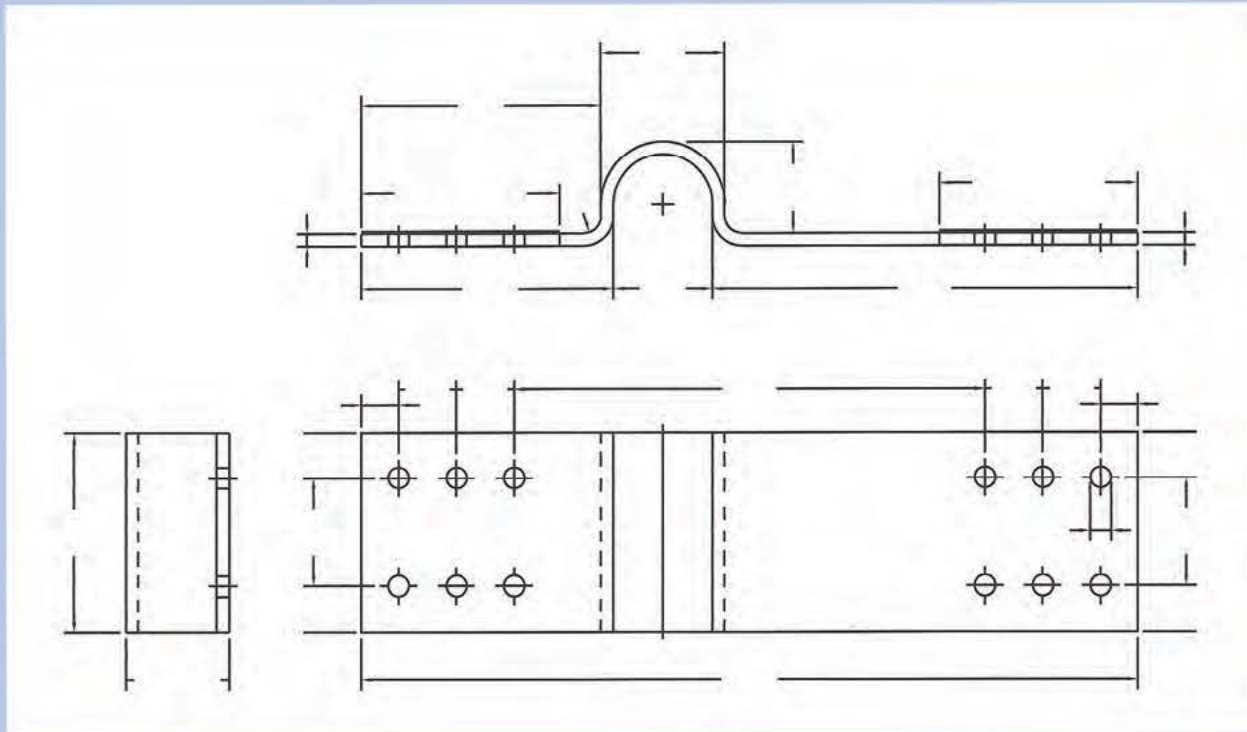
*WATER COOLED POWER CABLES*



# PRESS WELDED LAMINATED JUMPERS

This document utilizes an interactive table of contents to help you jump from one section to another. Click the button to return to the table of contents.

**RETURN TO  
TABLE OF CONTENTS**



*BUS BAR SYSTEMS*

*BRAIDED FLEXES*

*BUS BARS*

*WELDED LAMINATED JUMPERS*

*WATER COOLED POWER CABLES*





# WATER COOLED POWER CABLES

The Ohio Contact Company offers a wide variety of possible cable constructions to fit your particular application for DC or AC circuits at low, medium, or high frequency.

The range of cable constructions offered is from 100MCM to 5000MCM. Larger sizes are also available. Standard single conductor cables with a hollow or solid core are available and dual conductor co-axial cables are designed and manufactured on request.

The outer cover hoses are made of synthetic rubber reinforced with textile layers. Standard operating pressure is 100 PSI with a 400 PSI burst rating. OCC can also provide cable designs for applications that require added protection for high temperature, high abrasion resistance or high voltage jackets.



This document utilizes an interactive table of contents to help you jump from one section to another. Click the button to return to the table of contents.

**RETURN TO  
TABLE OF CONTENTS**

*BUS BAR SYSTEMS*

*BRAIDED FLEXES*

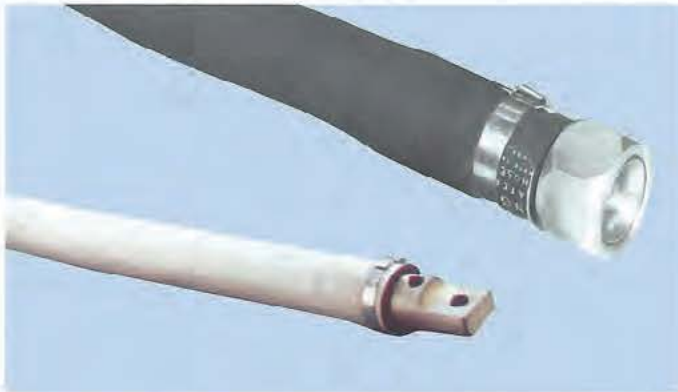
*BUS BARS*

*WELDED LAMINATED JUMPERS*

*WATER COOLED POWER CABLES*

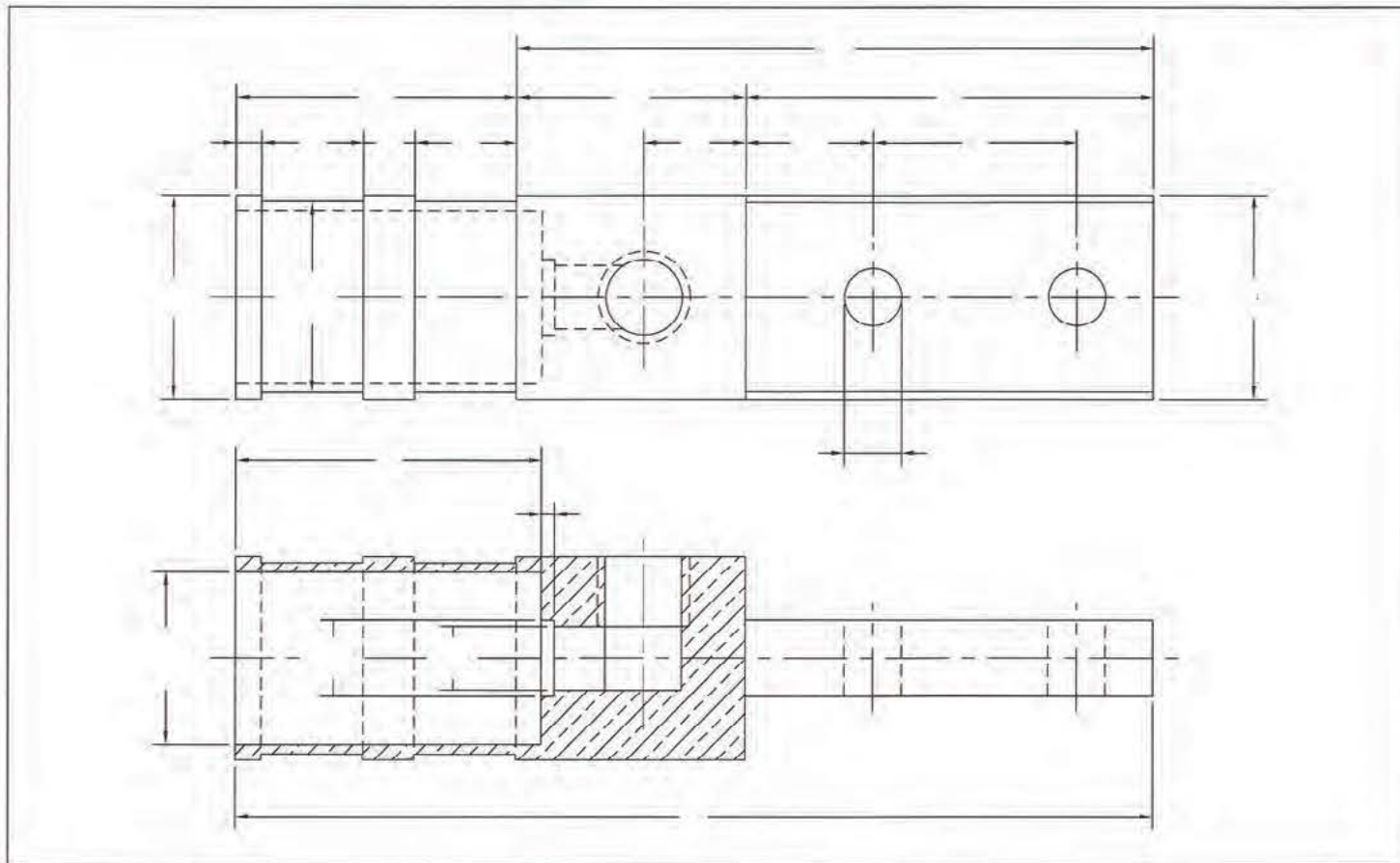


# WATER COOLED POWER CABLES



All materials supplied by OCC are of the highest quality. Only 100% conductivity Copper, Stainless Steel fastening hardware, and state of the art outer jacket materials are used to produce your cable.

OCC will supply a high quality water cooled power cable to your designs and specifications or we can engineer the best design to meet your requirements. Please contact us for details.



This document utilizes an interactive table of contents to help you jump from one section to another. Click the button to return to the table of contents.

**RETURN TO  
TABLE OF CONTENTS**

*BUS BAR SYSTEMS*

*BRAIDED FLEXES*

*BUS BARS*

*WELDED LAMINATED JUMPERS*

*WATER COOLED POWER CABLES*

P.800-310-5999 F.330-648-2774

sales@ohiocontact.com www.ohiocontact.com

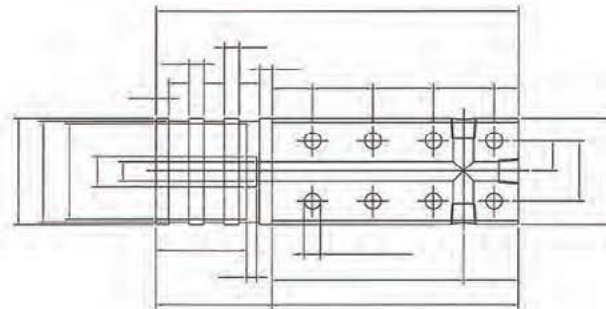
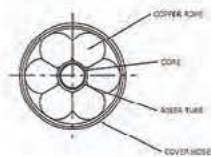
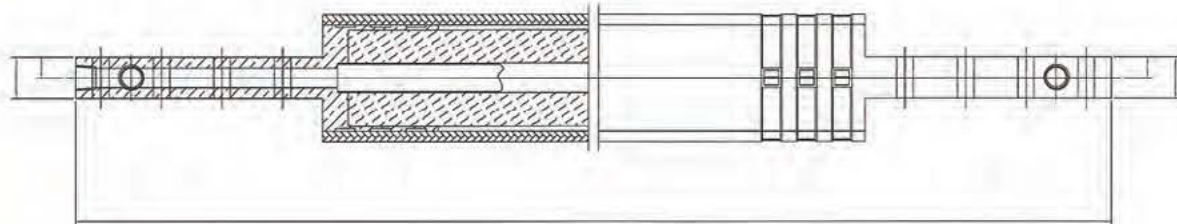
© 2014 The Ohio Contact Company



# WATER COOLED POWER CABLES

This document utilizes an interactive table of contents to help you jump from one section to another. Click the button to return to the table of contents.

**RETURN TO  
TABLE OF CONTENTS**



*BUS BAR SYSTEMS*

*BRAIDED FLEXES*

*BUS BARS*

*WELDED LAMINATED JUMPERS*

*WATER COOLED POWER CABLES*

P.800-310-5999 F.330-648-2774

sales@ohiocontact.com www.ohiocontact.com

© 2014 The Ohio Contact Company





***Quik-Release™ Access Covers***



This document utilizes an interactive table of contents to help you jump from one section to another. Click the button to return to the table of contents.

**RETURN TO  
TABLE OF CONTENTS**

ACCESS COVERS



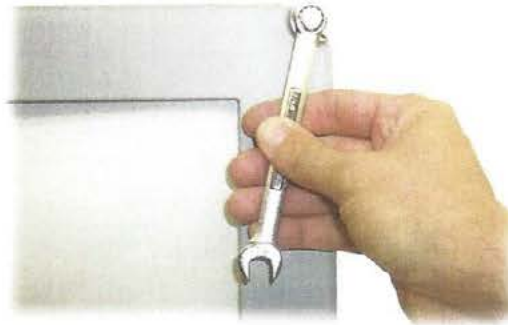
***Get access to your brushes in less time than it takes you to read this sentence! It's possible only with Sterling Quik-Release™ Access Covers!***

Sterling Quik-Release Access Covers are an ideal replacement for those motor covers with time consuming bolts. They are also a great way to get your motors with missing covers back into safe operating condition.

As an inspection cover or where ever you need quick open-shut access for routine maintenance, using Sterling Quik-Release Access Covers will reduce downtime and free up personnel to perform other operations during scheduled downtime.



- ***Reduced Downtime***
- ***No More Time-Wasting Bolts***
- ***No More Lost Bolts***
- ***Corrosion Resistant***
- ***See-Thru Venting***
- ***Easy Installation***



***No More Lost Bolts!*** With Sterling Cam-Fast™ Fasteners it only requires a half turn on two bolts to remove a Quik-Release Access Cover. The fasteners then remain in place during access. Never lose a dropped bolt again!



A channel on one side of a Quik-Release Access Cover replaces time-wasting bolts while providing a "third hand" when positioning the cover.

This document utilizes an interactive table of contents to help you jump from one section to another. Click the button to return to the table of contents.

**RETURN TO  
TABLE OF CONTENTS**

*ACCESS COVERS*



***A Few Samples Of Covers We Can Manufacture***



Ohio Contact (your regional distributor) and Sterling Industrial Products will work with you to provide a wide range of cover styles in any size or quantity. Whatever your needs, we will get the job done!

***Save time. Save money. Contact us today!***



**OHIO CONTACT**  
WE MAKE GREAT CONNECTIONS!

Toll Free: 800-310-5999  
Local: 330-648-9480  
Fax: 330-648-2774  
Email: sales@ohiocontact.com  
www.ohiocontact.com  
7268 Spencer Rd., Spencer, OH 44275

U.S. Patent Protected

This document utilizes an interactive table of contents to help you jump from one section to another. Click the button to return to the table of contents.

**RETURN TO  
TABLE OF CONTENTS**

*ACCESS COVERS*





Quote Request and Specifications Form

Contact Information

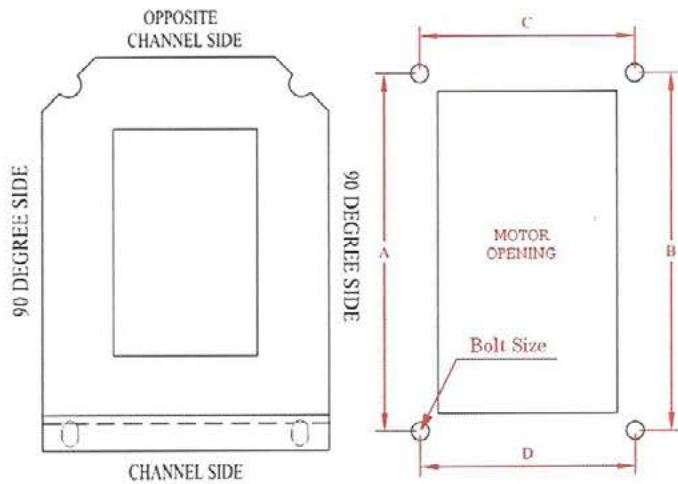
Date: \_\_\_\_\_ Ship to Address: \_\_\_\_\_  
 Contact: \_\_\_\_\_  
 Phone: \_\_\_\_\_  
 Fax: \_\_\_\_\_  
 Email: \_\_\_\_\_

Motor Data and Special Instructions

Motor Mfgr: \_\_\_\_\_ Notes and Special Instructions: \_\_\_\_\_  
 Frame: \_\_\_\_\_  
 Model: \_\_\_\_\_  
 HP/KW: \_\_\_\_\_

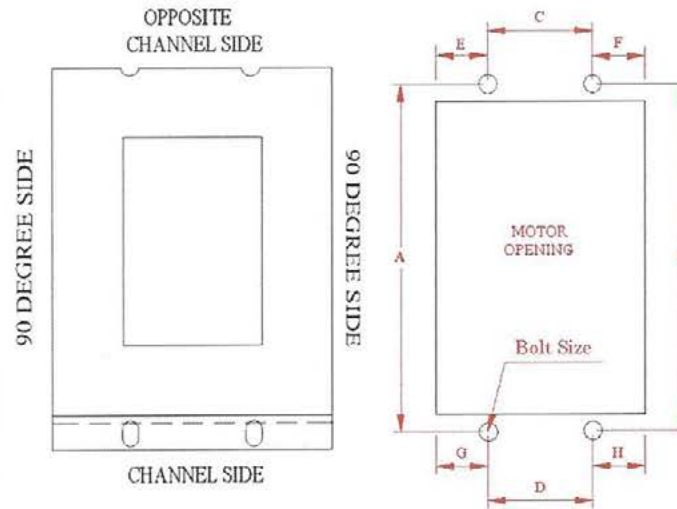
Job Data

**STANDARD BOLT CONFIGURATION**



\_\_\_ Standard Bolt Configuration

**INSET BOLT CONFIGURATION**



\_\_\_ Inset Bolt Configuration

**DIMENSIONS** (dimensions E, F, G, H are for inset bolt configuration only)

A: \_\_\_\_\_ B: \_\_\_\_\_ C: \_\_\_\_\_ D: \_\_\_\_\_ E: \_\_\_\_\_ F: \_\_\_\_\_ G: \_\_\_\_\_ H: \_\_\_\_\_

Bolt Size: \_\_\_ 8mm-1.25 \_\_\_ 1/4-20 \_\_\_ 5/16-18 \_\_\_ 3/8-16

|   |            |            |                    |                 |            |           |
|---|------------|------------|--------------------|-----------------|------------|-----------|
| Define Cover Style:<br>(check all that apply) | ___ Window | ___ Louver | ___ Expanded Metal | ___ Solid Steel | ___ Curved | ___ Other |
| Quantity:                                     | ___        | ___        | ___                | ___             | ___        | ___       |

This document utilizes an interactive table of contents to help you jump from one section to another. Click the button to return to the table of contents.

**RETURN TO  
TABLE OF CONTENTS**

ACCESS COVERS

# More than 6,000 stock motors, gearmotors, gear reducers and control designs available.

## Yes, there's an industrial strength LEESON solution for your application.

Together with our sister companies, Lincoln Motors and Grove Gear, LEESON offers over 6,000 AC and DC stock motors, gearmotors, gear reducers and control solutions. All built for industrial use with the features you expect for new installation requirements and convenient replacement. Twenty-three stocking warehouses in the USA.

### Application Issues? LEESON'S STATEam has your solution.

Whether you require a motor that withstands extreme temperatures, requires a unique mount, or other application requirements, LEESON's STATEam has solutions.

The LEESON Strategic Technical Application Team is a group of experienced engineers with design, process, quality, and sales

application expertise that is ready to help you find your specific application solution. More Expertise. More Speed. More Solutions. That's STATEam.

To turn your idea into reality, call your local LEESON sales office or visit LEESON.com

### AC & DC Motors of all types

Our stock motor lineup includes AC and DC designs in sub-fractional through hundreds of horsepower sizes for general purpose use and specific-duty applications. All popular enclosures and configurations are available, along with some not-so-easy-to-find items. For an extra margin of protection from inverter-induced voltage spikes, LEESON's Inverter-Rated Insulation System (IRIS™) comes standard—at no extra cost—on all stock NEMA three-phase motors (1 HP and larger). Similarly, Lincoln Motors offers "Ultimate Spike Defense™" inverter-rated insulation system on its 1HP and larger frame three-phase motors.

### Adjustable speed drives

Speedmaster drives are a perfect fit with many types of LEESON and Lincoln three-phase motors. Our Micro Series inverter line is available through 60 HP at 230 Volts, and through 150 HP at 460 Volts. Micro Series offers easy-to-use, English programming with built in PID software, making them closed-loop drives, if needed. For applications through 25 HP, choose the SM-Plus Inverter, with its minuscule footprint, big-drive features and wide range of accessories. If you require a simple "Shaft-turner," select economical SM-Series drives, which feature the same small footprint and many features of our SM-Plus Series. Vector inverters with 200% starting torque—when run with a vector duty motor—provide full output torque down to 1Hz, in both NEMA 1 and NEMA 4X enclosures.

And look to LEESON for a competitive line of SCR, PWM, Regenerative and Low Voltage DC Controls.

### Gearing products

Recognized worldwide as a leader in the industrial-duty, gear-reducer marketplace, Grove Gear offers solutions to meet any application requirement. Our IRONMAN product line includes right angle worm gear reducers as well as high efficiency options. The revolutionary E Series is a high efficiency right angle gear reducer that meets the increasing demand for efficiency in the compact footprint of traditional worm gear products.

Electra-Gear is the only industrial-duty aluminum worm reducer line designed and built in the USA. Featuring the same premium features as the IRONMAN line, Electra-Gear products are perfect for washdown applications.

LeCENTRIC™ and Bravo® reducers are compact and lightweight alternatives to traditional cast iron units.

Combine Grove Gear or Electra-Gear reducers with LEESON or Lincoln c-face motors to create a performance-matched GEAR+MOTOR™ or integral gearmotor.

This document utilizes an interactive table of contents to help you jump from one section to another. Click the button to return to the table of contents.

[RETURN TO TABLE OF CONTENTS](#)

MOTORS



## 1-Phase General Purpose Motors



### Hundreds of Industrial Designed "Off-the-Shelf" Solutions

- 42-215T Frame
- 1/12-10 HP
- Totally enclosed and drip-proof designs
- Rigid base, C-face, Rigid C-face and Resilient base
- Overload protection available

#### Applications:

- |                  |                   |
|------------------|-------------------|
| Pumps            | Material Handling |
| Machine Tools    | Compressors       |
| Fans and Blowers | Conveyors         |

## Agricultural Motors



### High Torque Rugged Industrial Designs

- 48-286T Frame
- Designed especially for the ag customer or the OEM
- Extra-high starting torque designs: General Purpose, Crop Dryer, Auger Drive, Fan Ventilation, Grain Stirring and more
- Manual and auto reset overload thermal protection
- Fully gasketed design for additional protection
- Sealed bearings
- Premium efficient models – "Eco-Ag" single-phase and three-phase

#### Applications:

- |                 |                |
|-----------------|----------------|
| Poultry Feeders | Conveyors      |
| Silo Uploaders  | Pumps          |
| Crop Drying     | Barn Cleaners  |
| Compressors     | Grain Stirrers |

## Washdown Motors



### Broadest Industry Solutions for Maximum Service in Harsh Environments

- USDA-approved white epoxy paint
- Cast conduit box with stainless steel cover
- Internal corrosion resistant coatings on frame, base, end shields, rotor and stator
- Single-phase motors have electronic encapsulated starting switch
- 100% stainless steel single-phase and three-phase designs available
- 1/2-10 HP
- 15-30 HP available 4th quarter 2012

#### Applications:

- |                  |                       |
|------------------|-----------------------|
| Dairies          | Bakeries              |
| Beverage Plants  | Pharmaceutical Plants |
| Food Processing  | Car Washes            |
| Slaughter Houses |                       |

This document utilizes an interactive table of contents to help you jump from one section to another. Click the button to return to the table of contents.

**RETURN TO  
TABLE OF CONTENTS**

MOTORS

## Fan & Blower Motors



### Industrial and Commercial Fan Motors Available

- General Purpose 1/4–3 HP
- PSC Type: 1/4–1 HP
- Two-speed: 1/4–1 HP
- TEAO: 3/4–3 HP
- HVAC Blower: 1/3–5 HP
- Condenser Fan: 1–1.5 HP
- Commercial Duty: 1/4–1/2 HP
- Furnace & Air Conditioner: 1/4–3/4 HP
- Fan & Heat Pump: 1/6–3/4 HP
- Outdoor Condenser Fan: 1/6–3/4 HP

#### Applications:

|                                    |                 |
|------------------------------------|-----------------|
| Direct and Belt-drive Air Handlers | Industrial Fans |
| Exhaust Fans                       | Commercial Fans |
| Pedestal Fans                      | Two-speed Fans  |

## DC Motors



### Industrial & Commercial Design DC motors for Low & High Voltage Applications

- 1/20–3 HP
- Permanent magnet designs
- Removable bolt-on base
- NEMA C-face designs
- 12, 24, 36, 48, 90 and 180 Volt designs
- PWM or SCR type controller rated
- High starting torque
- Permanently lubricated sealed bearings
- Washdown, explosion proof and IEC models

#### Applications:

|                   |                   |
|-------------------|-------------------|
| Pumps             | Reeling Equipment |
| Conveyors         | Medical Equipment |
| Turntables        | Treadmills        |
| Textile Machinery | Solar Panels      |

## AC & DC Gearmotors



### Little Motors, Big Solutions with Industry Interchange Designs

- AC: 115/230V single-phase and 230/460V three-phase designs
- DC: 90, 180 and low voltage designs
- Right-angle and parallel shaft designs
- Most common F.L. torque and RPM designs
- AC and DC washdown designs
- Bison, Bodine and Dayton Direct Interchange

#### Applications:

|                           |
|---------------------------|
| Conveyors                 |
| Turntables                |
| Packaging Equipment       |
| Augers                    |
| Food Processing Equipment |

This document utilizes an interactive table of contents to help you jump from one section to another. Click the button to return to the table of contents.

**RETURN TO  
TABLE OF CONTENTS**

MOTORS



## Pump Motors



### Commercial, Washdown and Explosion Proof Ratings Available

- JM/JP close coupled
- UL listed fire pump—Lincoln
- Drip-proof, totally enclosed, washdown duty
- EPACT efficient designs
- Jet Pump in single- and three-phase from 1/2–3 HP
- Stainless steel washdown
- Carbonator pump designs

#### Applications:

|                    |                      |
|--------------------|----------------------|
| Centrifugal Pumps  | Turbine Pumps        |
| Hydraulic Pumps    | Vertical end Suction |
| Water System Pumps | Propeller Pumps      |
| Fire Pumps         |                      |

## Explosion Proof Motors



### Industrial & Commercial Application Designs

- 56–449T Frame
- Single-phase fractional to severe duty 449T frame
- Class I Group D or Class I Groups C & D or Class II Groups F & G
- 1.15 service factor
- UL listed for use with inverters
- Available in E Pact & NEMA Premium™ efficiency
- Severe duty features
- Rigid and C-face mounts available

#### Applications:

|               |                        |
|---------------|------------------------|
| Pumps         | PWM Drives             |
| Compressors   | Petroleum and Gasoline |
| Gear Reducers | Grain Elevators        |
| Machine Tools | Paint Booths           |
| Conveyors     |                        |

## IEC—Metric Motors



### IEC Global Designs to Meet International Specifications

- 63–250 IEC frame
- 0.18KW (1/4 HP)–37W (50 HP)
- 208–230/460 and 575 Volt 3-Phase
- TEFC, Aluminum and Cast Iron Frame construction
- B3, B3/B5 and B3/B14 Mountings
- Removable bases—90 frame and lower
- IP 55 enclosure protection
- Premium efficient 90 frame and higher

#### Applications:

|                   |
|-------------------|
| Machine Tools     |
| Textile Machinery |
| Conveyors         |
| Pumps             |

This document utilizes an interactive table of contents to help you jump from one section to another. Click the button to return to the table of contents.

**RETURN TO  
TABLE OF CONTENTS**

*MOTORS*

## Brakemotors



### Dependable Stopping and Holding Brakemotors

- 1-Phase: 1/3–2 HP
- 3-Phase: 1/3–10 HP
- Totally enclosed and drip-proof designs
- Rigid base, Rigid C-Face and C-Face mounts available
- Washguard and stainless
- Brake kits and coupler brakes

#### Applications:

Conveyors  
Machine Tools  
Door Openers  
Elevators  
Hoists  
Baggage Handling  
Packaging Equipment

## AC & DC Controls



### Energy Saving and Precision Speed Controllers

- DC Controls
- Open Chassis, NEMA 1 and NEMA 4/12 enclosures
- SCR and PWM and Regenerative Controls
- 1/40–3 HP rated
- Low voltage 16–120 Amps
- AC Controls
- IP20, IP31 and IP65 enclosures
- 1/4–150 HP
- 115 volt, 1-Phase input–3 HP, (3-Phase output)
- 230, 460 & 575 Volt ratings
- Standard V/Hz and Vector Duty designs available

#### Applications:

Conveyors  
Handling Equipment  
Hoists  
Packaging Equipment  
Fans  
Machine Tools

## Special Duty Motors



### High Quality, Short Run Specials—Application Specific Solutions

- Boat Hoist Duty: 1/2–2 HP
- Instant Reversing: 1/3–1 HP
- Woodworking: 3/4–4 HP
- Two-speed: 1/.25–10/2.5 HP
- Compressor Duty: 1–20 HP
- Severe Duty IEEE-841: 1–100 HP
- 50 HZ Motors: 1-Phase, 1/3–5 HP, 3-Phase, 1/4–5 HP
- 200–400 Volt : 1–10 HP
- 575 Volt: 1/3–450 HP
- Medium Voltage: 150–700 HP
- Elevator Duty: 15–100 HP
- Automotive Duty: 3/4–100 HP

#### Applications:

Boat Hoist  
Woodworking Equipment  
Compressors  
Fans and Blowers  
Parking Gates  
Foundries  
Elevators/Escalators

This document utilizes an interactive table of contents to help you jump from one section to another. Click the button to return to the table of contents.

[RETURN TO TABLE OF CONTENTS](#)

MOTORS



## 3-Phase General Purpose Motors



### NEMA Premium—Meets IE3 Specifications—Inverter Duty

- 1/4–700 HP
- 143–449T frame offers high efficiency levels that meet NEMA Premium™
- Built for high cycle or long run-time applications
- Drip-proof, totally enclosed, washdown and explosion-proof enclosures
- IRIS™ insulation system—WATTSAYERe
- Premium efficient motors with 3-year warranty
- Inverter duty

#### Applications:

Pumps  
Gear Reducers  
Conveyors  
Compressors  
HVAC

## Vector Duty Motors



### Constant Torque 2000:1 Speed Control

- 1–350 HP
- Class F thermostat protection
- Precision balanced
- TENV and TEBC designs
- 3-year warranty
- Encoder provisions
- 2000:1 constant torque

#### Applications:

Material Handling  
Extruders  
Conveyors  
Machine Tools  
Transportation

For product information, news and instructional tools, there's no better resource than leeson.com



This document utilizes an interactive table of contents to help you jump from one section to another. Click the button to return to the table of contents.

[RETURN TO TABLE OF CONTENTS](#)

MOTORS

This document utilizes an interactive table of contents to help you jump from one section to another. Click the button to return to the table of contents.

---

**RETURN TO  
TABLE OF CONTENTS**



2100 Washington Street  
Grafton, WI 53024  
PH: 262-377-8810  
FAX: 262-377-9025

[www.leeson.com](http://www.leeson.com)



A Regal Brand

The logo for Regal, featuring the word "REGAL" in a bold, italicized, sans-serif font. The letters are white and set against a dark gray, trapezoidal background that tapers to the right.

[www.regalbeloit.com](http://www.regalbeloit.com)